



US00D908879S

(12) **United States Design Patent**  
**Memar**

(10) **Patent No.:** **US D908,879 S**

(45) **Date of Patent:** **\*\* Jan. 26, 2021**

(54) **APPARATUS FOR REPAIRING TISSUE DEFECTS**

(71) Applicant: **Omeed Memar**, Chicago, IL (US)

(72) Inventor: **Omeed Memar**, Chicago, IL (US)

(\*\*) Term: **15 Years**

(21) Appl. No.: **29/640,239**

(22) Filed: **Mar. 13, 2018**

**Related U.S. Application Data**

(60) Division of application No. 14/059,186, filed on Oct. 21, 2013, now abandoned, which is a continuation-in-part of application No. 12/708,685, filed on Feb. 19, 2010, now Pat. No. 8,579,852, which is a continuation-in-part of application No. 11/531,930, filed on Sep. 14, 2006, now Pat. No. 7,771,754.

(51) **LOC (13) Cl.** ..... **24-02**

(52) **U.S. Cl.**  
USPC ..... **D24/146**

(58) **Field of Classification Search**  
USPC ..... D24/133, 146, 147; D7/597  
CPC ..... A61B 17/0644; A61B 17/0469; A61B  
17/0682

See application file for complete search history.

(56) **References Cited**

**U.S. PATENT DOCUMENTS**

D692,134 S \* 10/2013 Lee-Sepsick ..... D24/146  
D791,946 S \* 7/2017 Schwartz ..... D24/146  
D887,002 S \* 6/2020 Geng ..... D24/146

\* cited by examiner

*Primary Examiner* — Eliza Z Bennett-Hattan

(74) *Attorney, Agent, or Firm* — Knechtel, Demeur & Samlan

(57) **CLAIM**

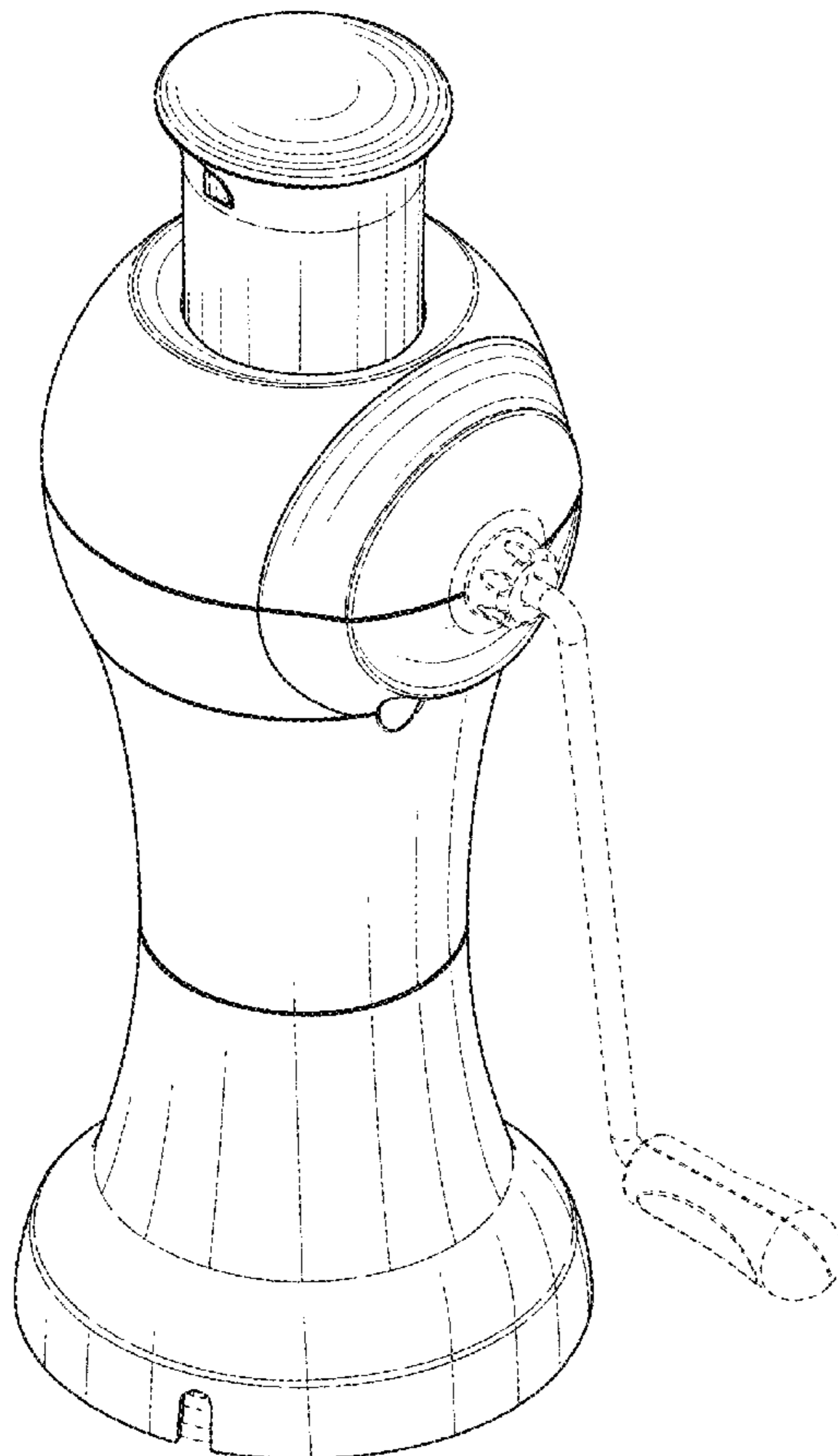
I claim the ornamental design for a apparatus for repairing tissue defects, as shown and described.

**DESCRIPTION**

FIG. 1 is a perspective view of the apparatus for repairing tissue defects;  
FIG. 2 is a front elevation view thereof;  
FIG. 3 is a rear elevation view thereof;  
FIG. 4 is a right side elevation view thereof;  
FIG. 5 is a left side elevation view thereof;  
FIG. 6 is a top plan view thereof; and,  
FIG. 7 is a bottom view thereof.

The broken lines in the drawings depict environmental subject matter only and form no part of the claimed design.

**1 Claim, 6 Drawing Sheets**



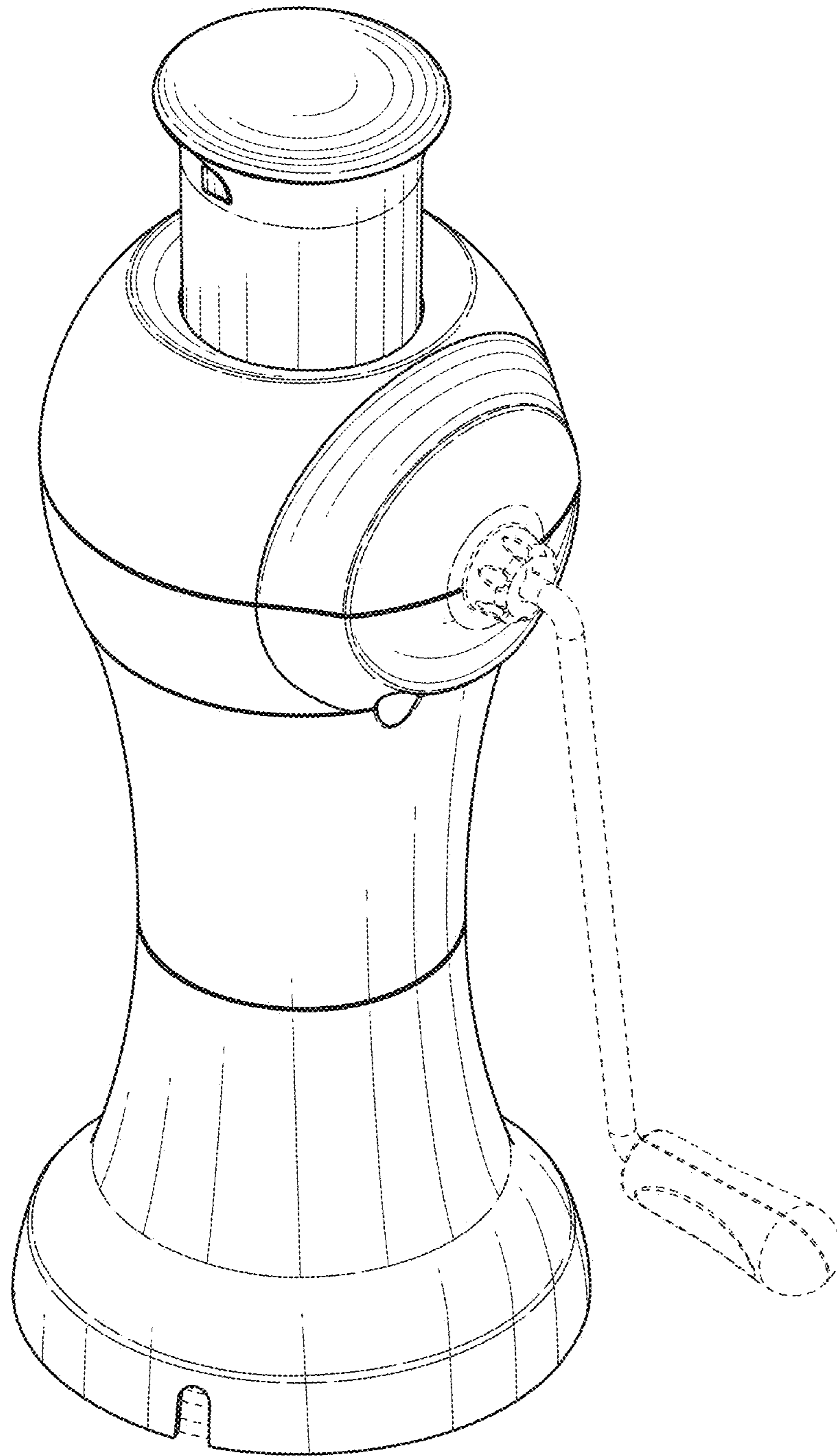


FIG. 1

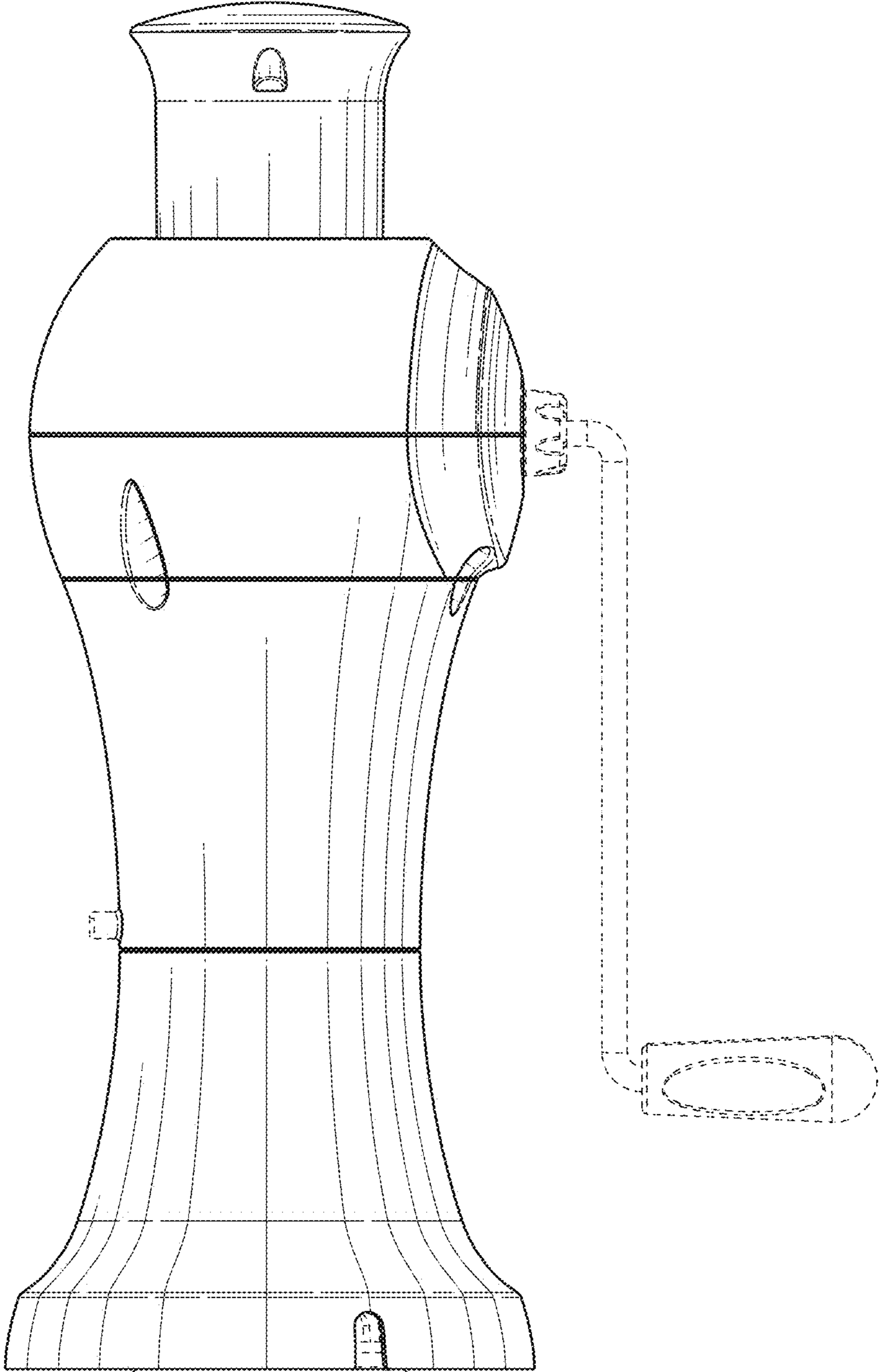


FIG. 2

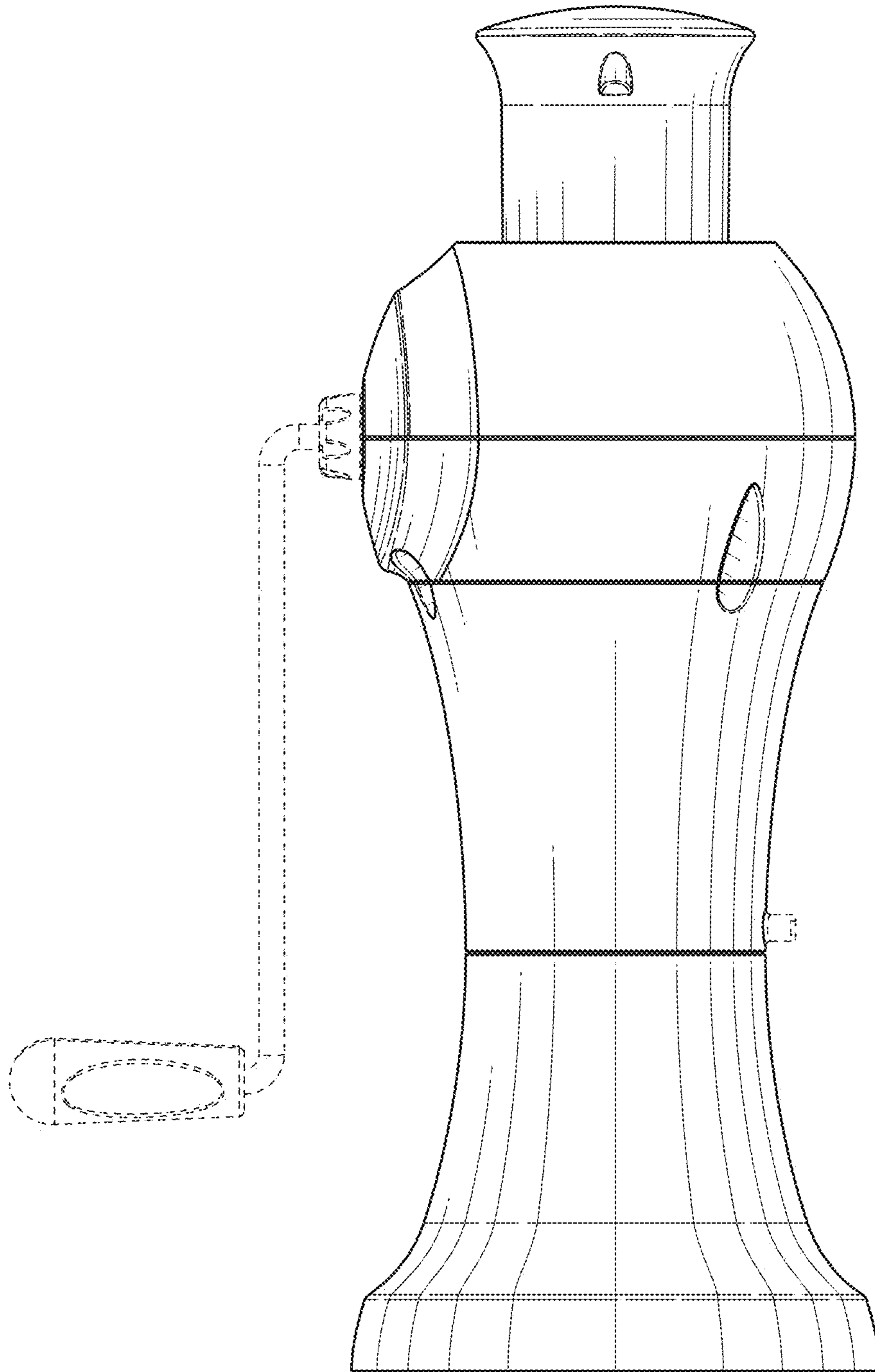


FIG. 3

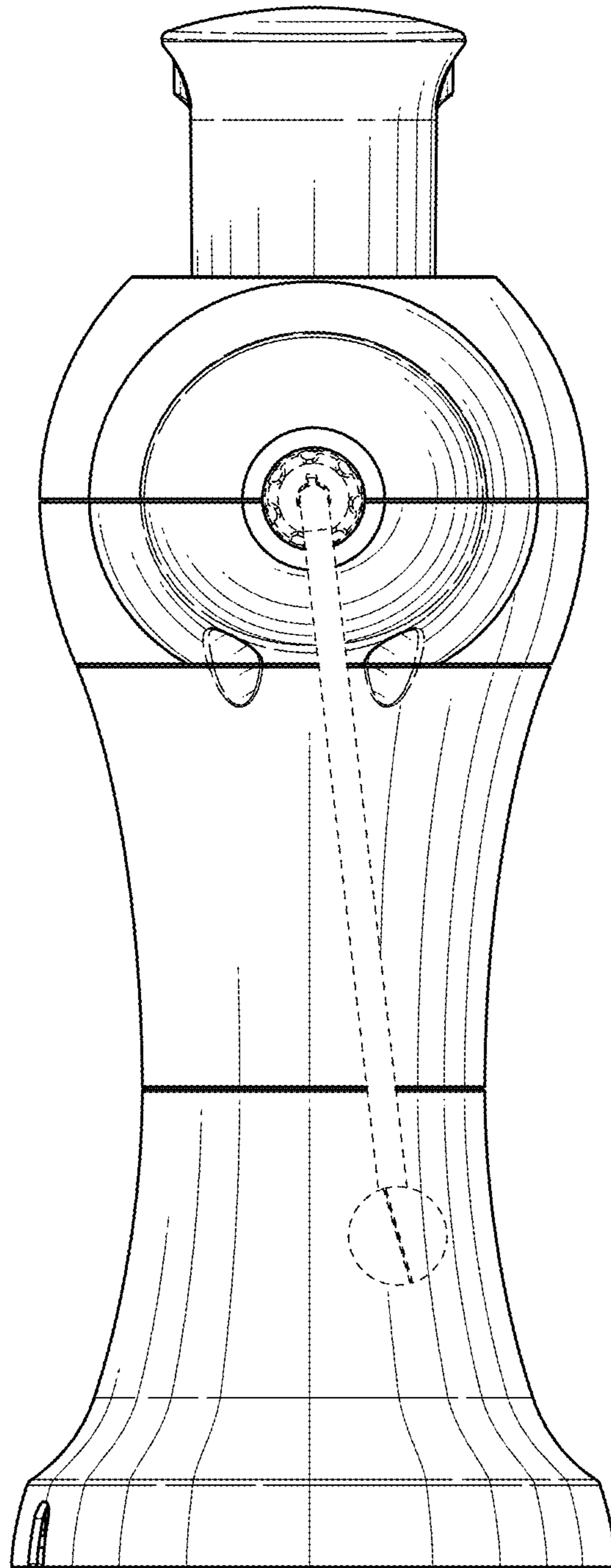


FIG. 4

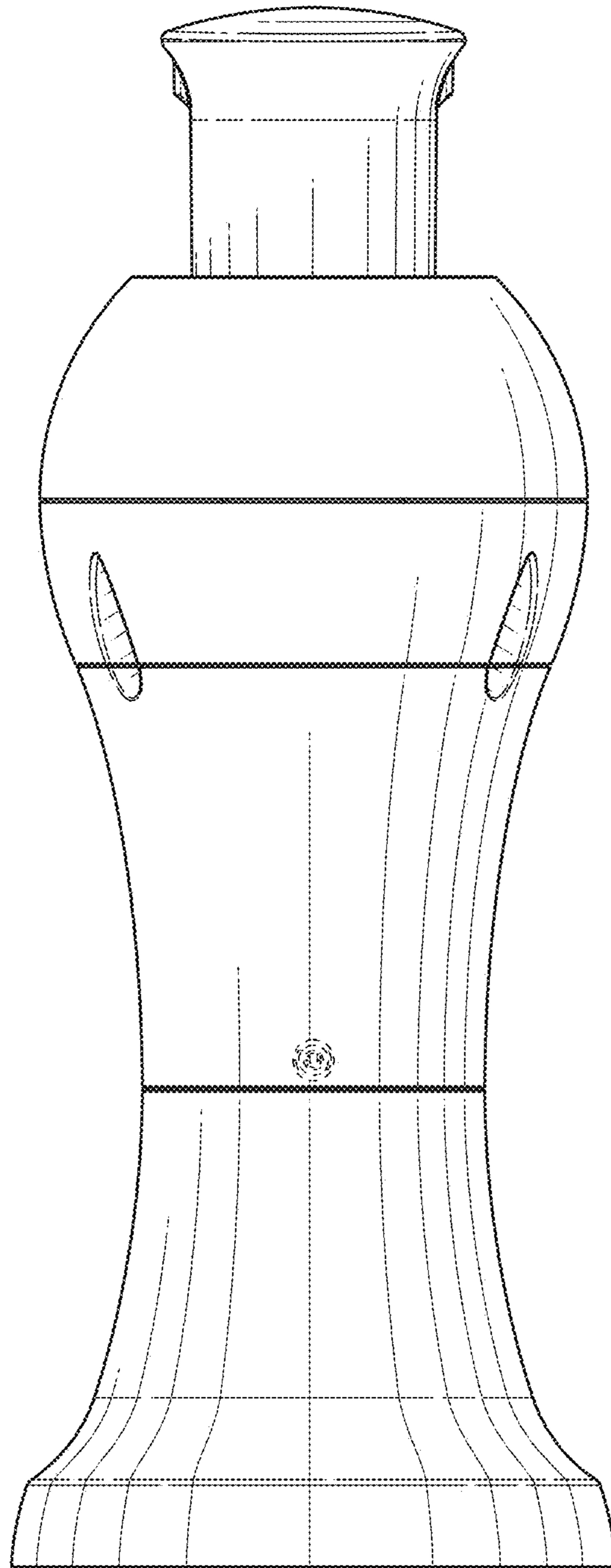


FIG. 5

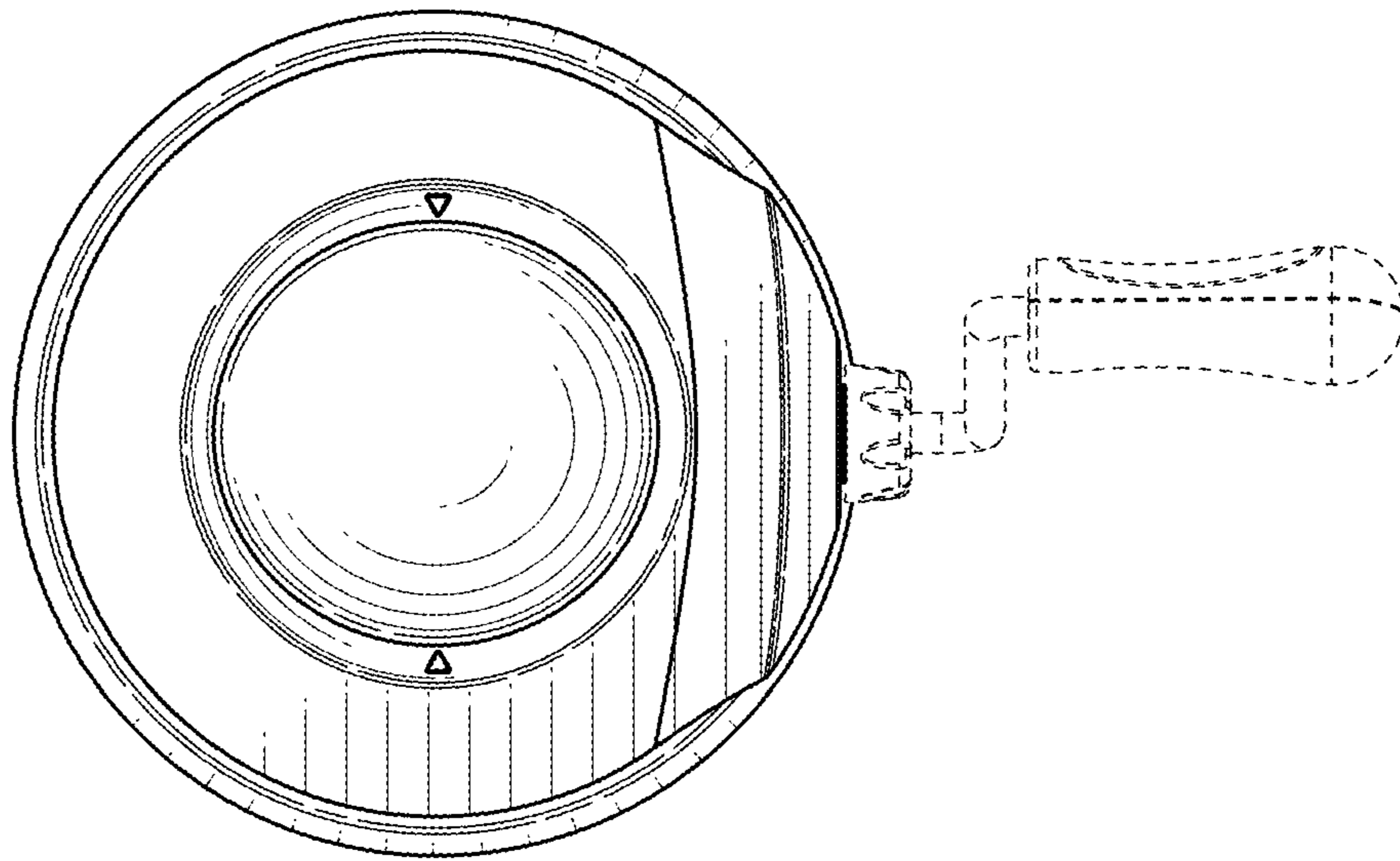


FIG. 6

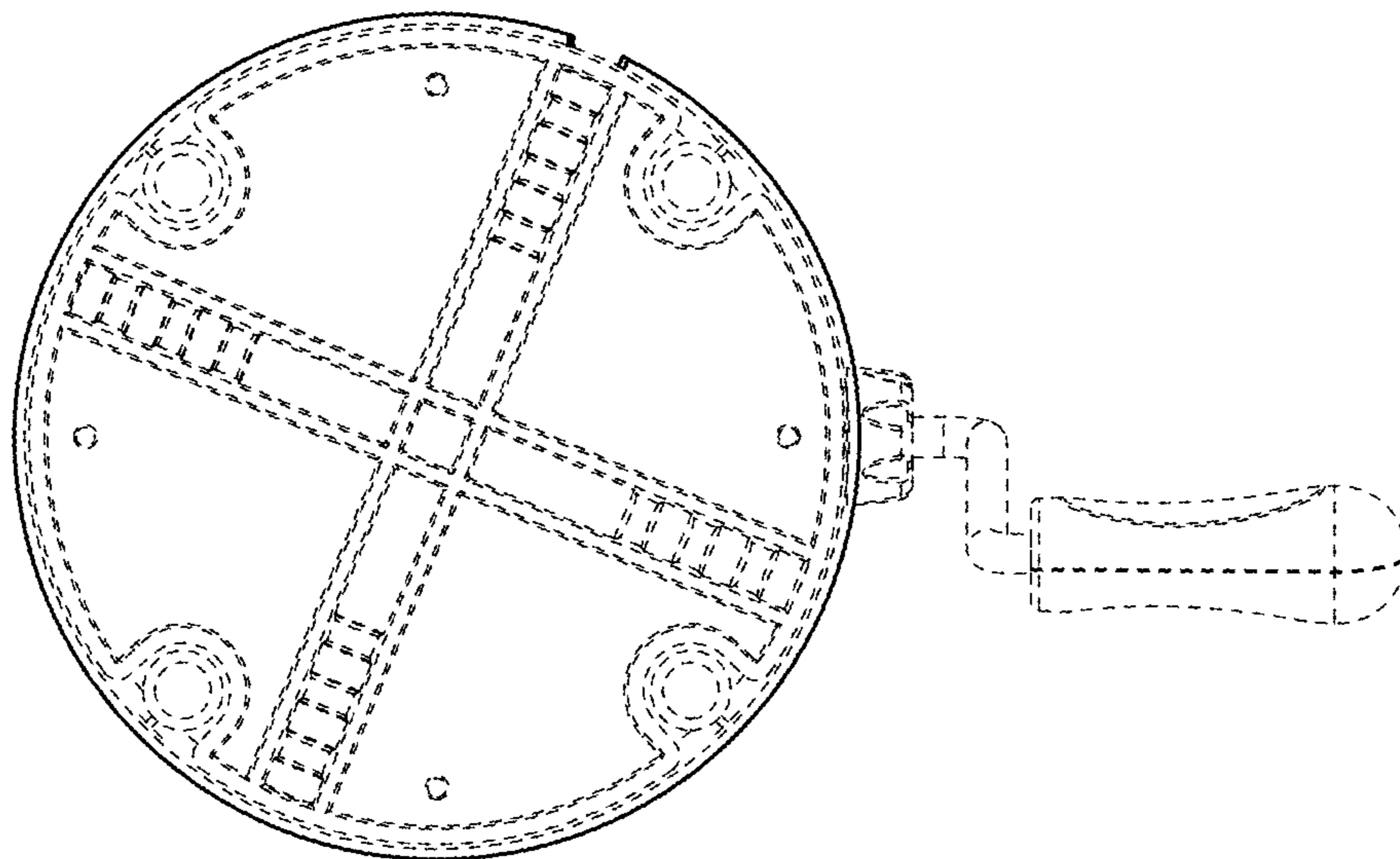


FIG. 7