



US00D908877S

(12) **United States Design Patent**  
**Alsarhan**

(10) **Patent No.:** **US D908,877 S**  
(45) **Date of Patent:** **\*\* Jan. 26, 2021**

- (54) **MAXILLARY FRENUM CLAMPING TOOL**
- (71) Applicant: **KING SAUD UNIVERSITY**, Riyadh (SA)
- (72) Inventor: **Mohammed Abdullah Alsarhan**, Riyadh (SA)
- (73) Assignee: **KING SAUD UNIVERSITY**, Riyadh (SA)
- (\*\*) Term: **15 Years**
- (21) Appl. No.: **29/703,488**
- (22) Filed: **Aug. 27, 2019**
- (51) **LOC (13) Cl.** ..... **24-02**
- (52) **U.S. Cl.**  
USPC ..... **D24/143; D24/152**
- (58) **Field of Classification Search**  
USPC ..... D24/143, 146-148, 133, 152; D8/52-54, D8/57  
CPC ... A61B 17/28; A61B 17/282; A61B 17/2816; A61B 17/24; A61B 17/122; A61B 17/0483; A61B 2017/2808; A61C 3/00  
See application file for complete search history.

(56) **References Cited**

**U.S. PATENT DOCUMENTS**

3,364,933	A	1/1968	Leopold	
3,823,719	A	7/1974	Cummings	
4,655,223	A	4/1987	Kim	
5,059,214	A	10/1991	Akopov et al.	
5,133,737	A	7/1992	Grismer	
5,251,642	A	10/1993	Handlos	
D581,053	S *	11/2008	Gesler, III	D24/143
9,237,899	B2	1/2016	Ray	
D802,133	S *	11/2017	Thrasher, III	D24/143
10,646,243	B1 *	5/2020	Alsarhan	A61B 17/282
2007/0299470	A1 *	12/2007	Vanden Hoek	A61B 17/282 606/205

2008/0172085	A1 *	7/2008	Chiu	A61B 17/282 606/205
2008/0300622	A1 *	12/2008	Xu	A61B 17/282 606/207
2014/0046363	A1	2/2014	Frimand Ronnow	

**FOREIGN PATENT DOCUMENTS**

DE 424807 C 2/1926

\* cited by examiner

*Primary Examiner* — Wan Laymon

(74) *Attorney, Agent, or Firm* — Nath, Goldberg & Meyer; Richard C. Litman

(57) **CLAIM**

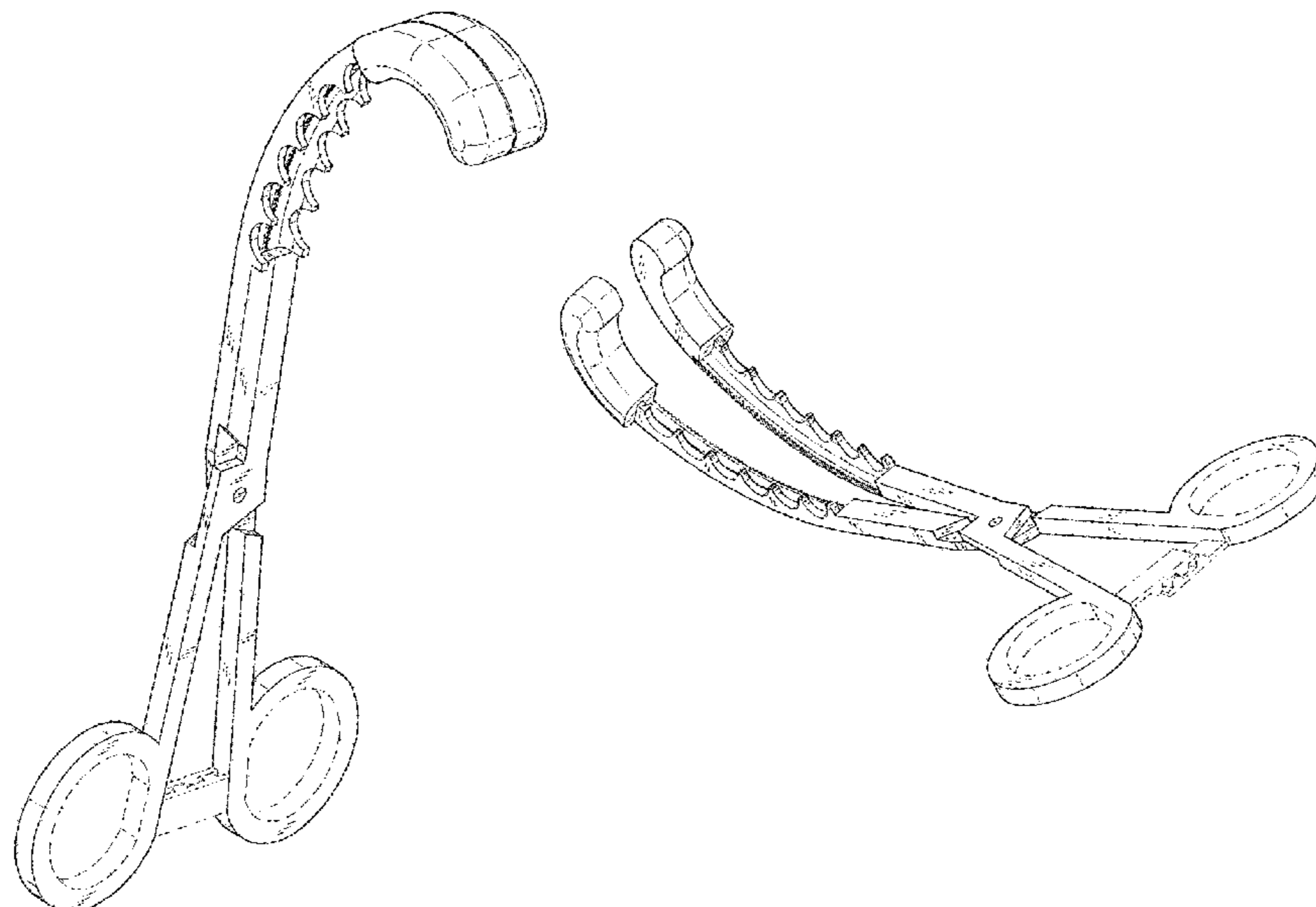
The ornamental design for a maxillary frenum clamping tool, as shown and described.

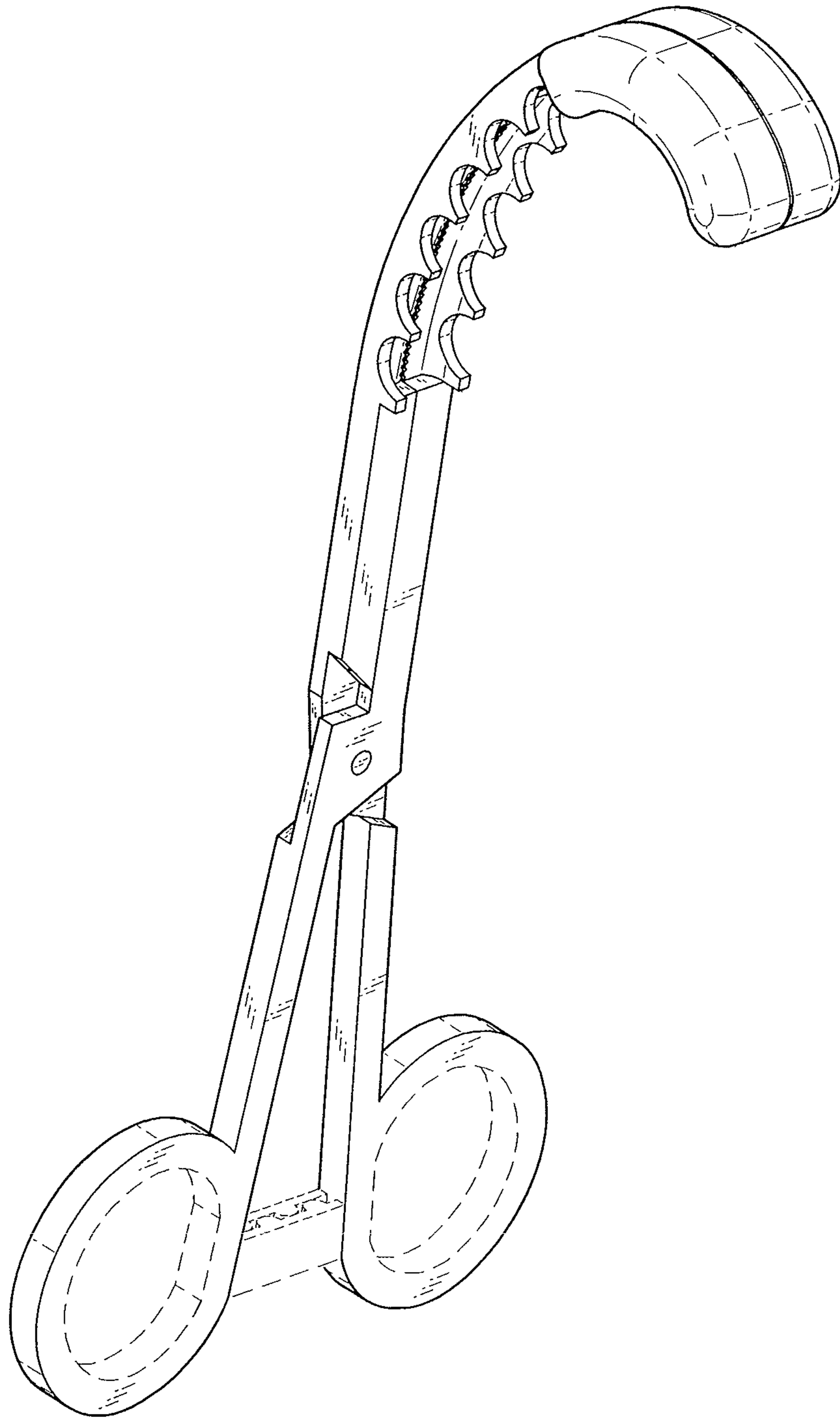
**DESCRIPTION**

FIG. 1 is a perspective view of a maxillary frenum clamping tool showing my new design;  
 FIG. 2 is a front elevational view thereof;  
 FIG. 3 is a rear elevational view thereof;  
 FIG. 4 is a right side elevational view;  
 FIG. 5 is a left side elevational view;  
 FIG. 6 is a top view thereof;  
 FIG. 7 is a bottom view thereof; and,  
 FIG. 8 is a perspective view shown with the clamping tool pivoted to an open position.

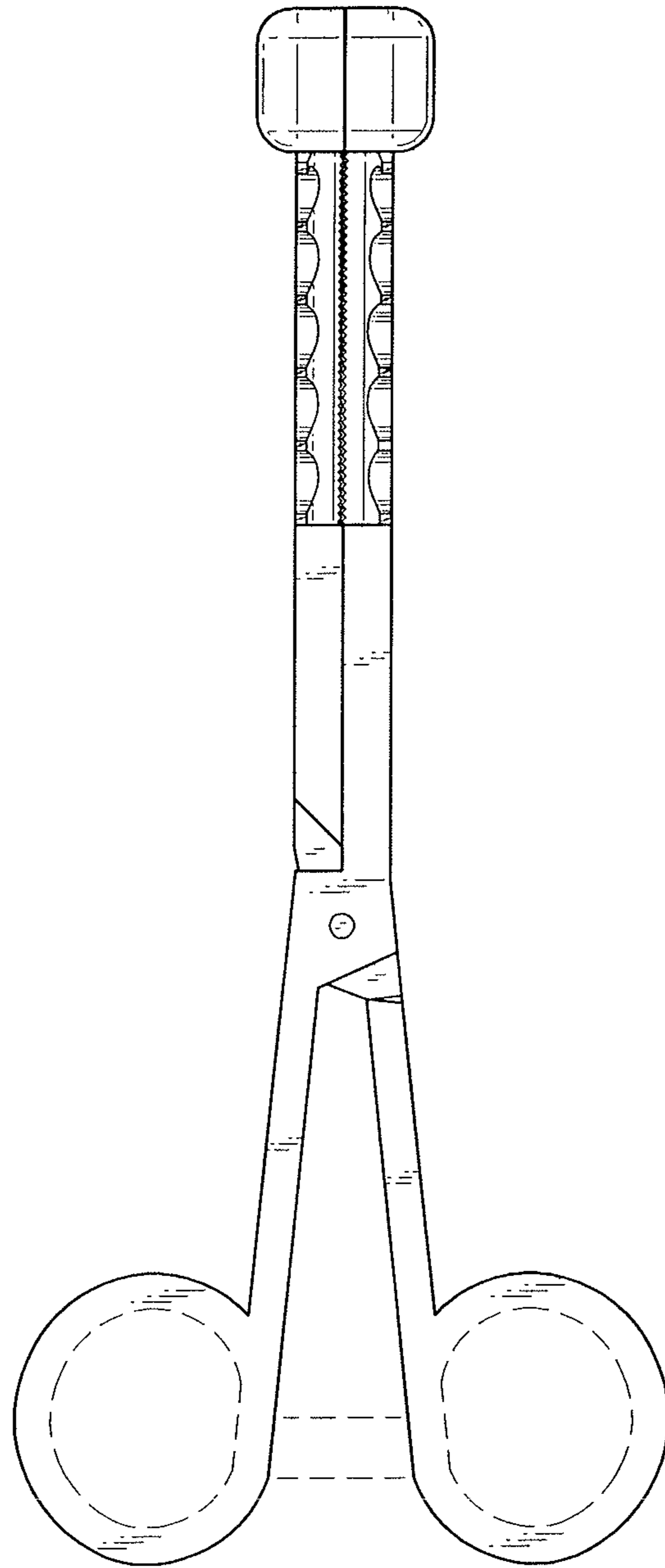
The broken lines in FIGS. 1 and 8 are for illustrative purposes only; the broken lines representing the holes in the finger loops are shown as being circular, but may be oval or D-shaped, the shape of the holes in the finger loops form no part of the claimed design. Similarly, the broken lines show the clamp locking mechanism as linear, but it may be arcuate or arched. The shape of the clamp locking mechanism forms no part of the claimed design

**1 Claim, 6 Drawing Sheets**

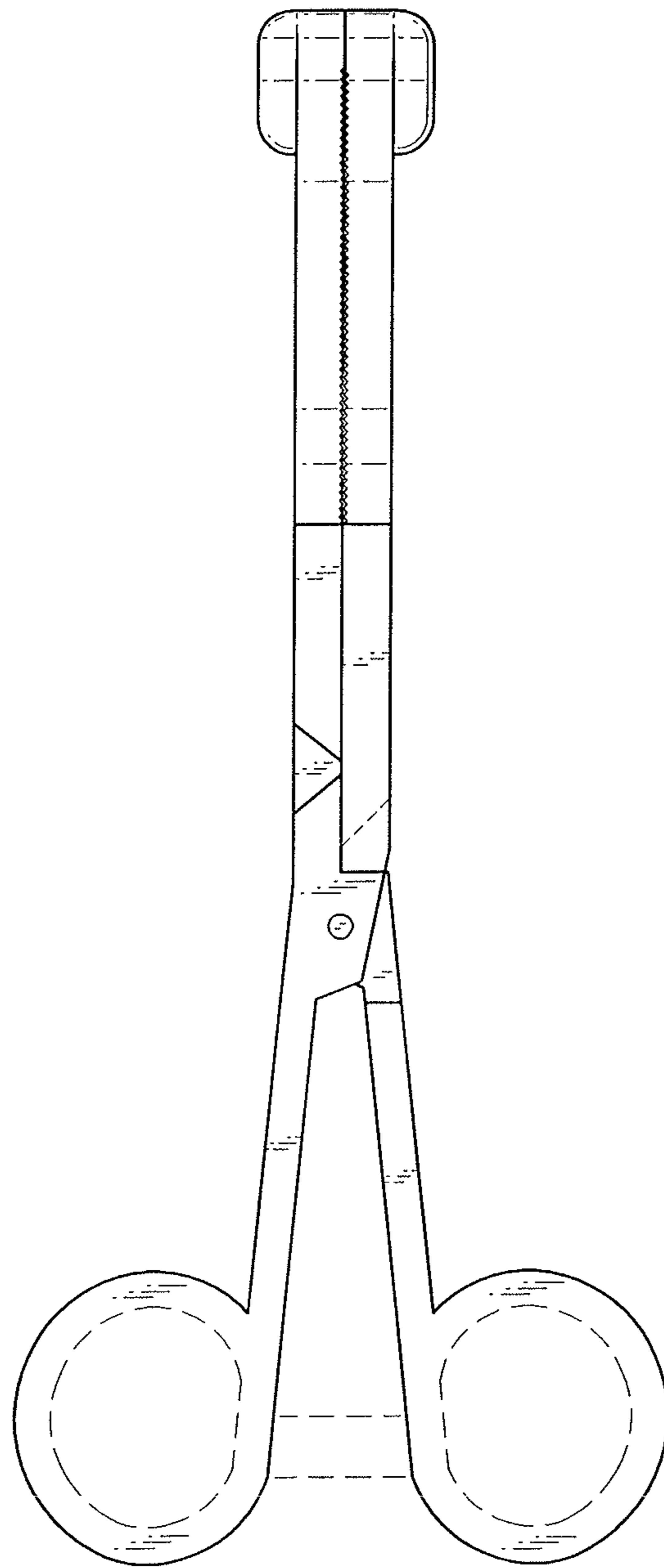




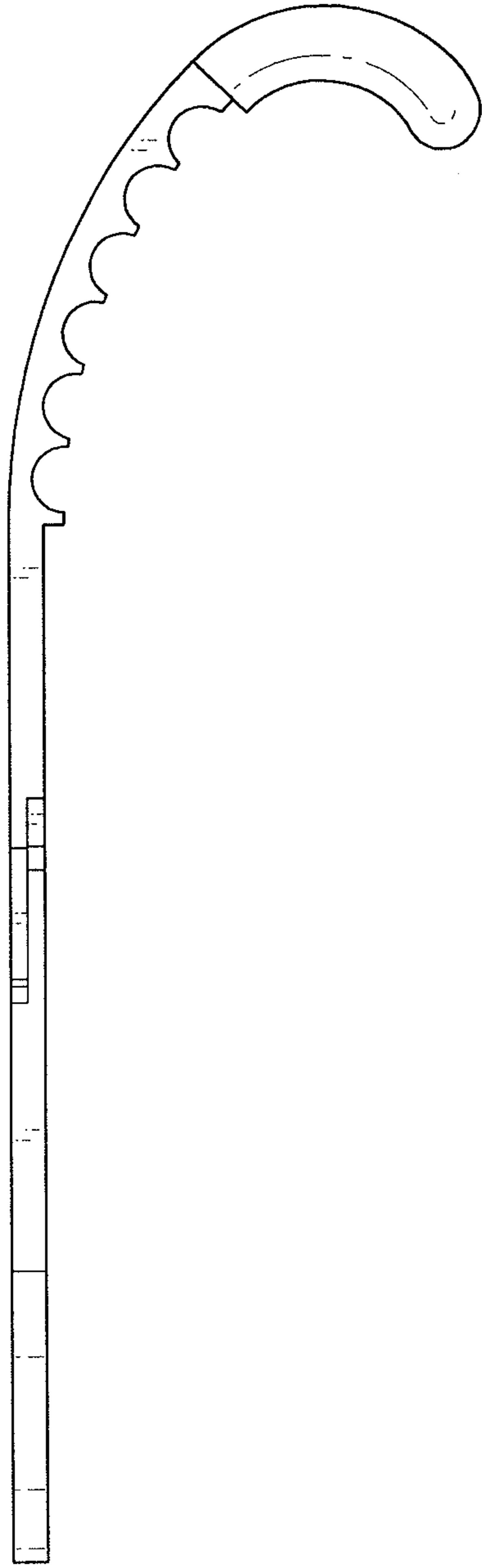
**FIG. 1**



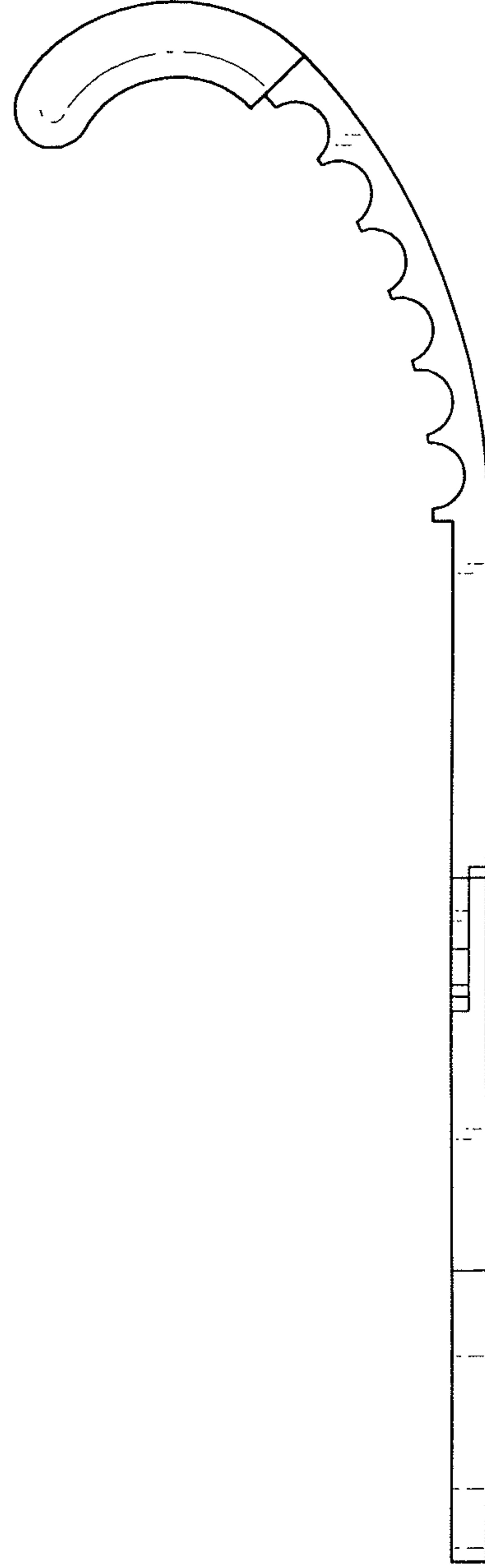
**FIG. 2**



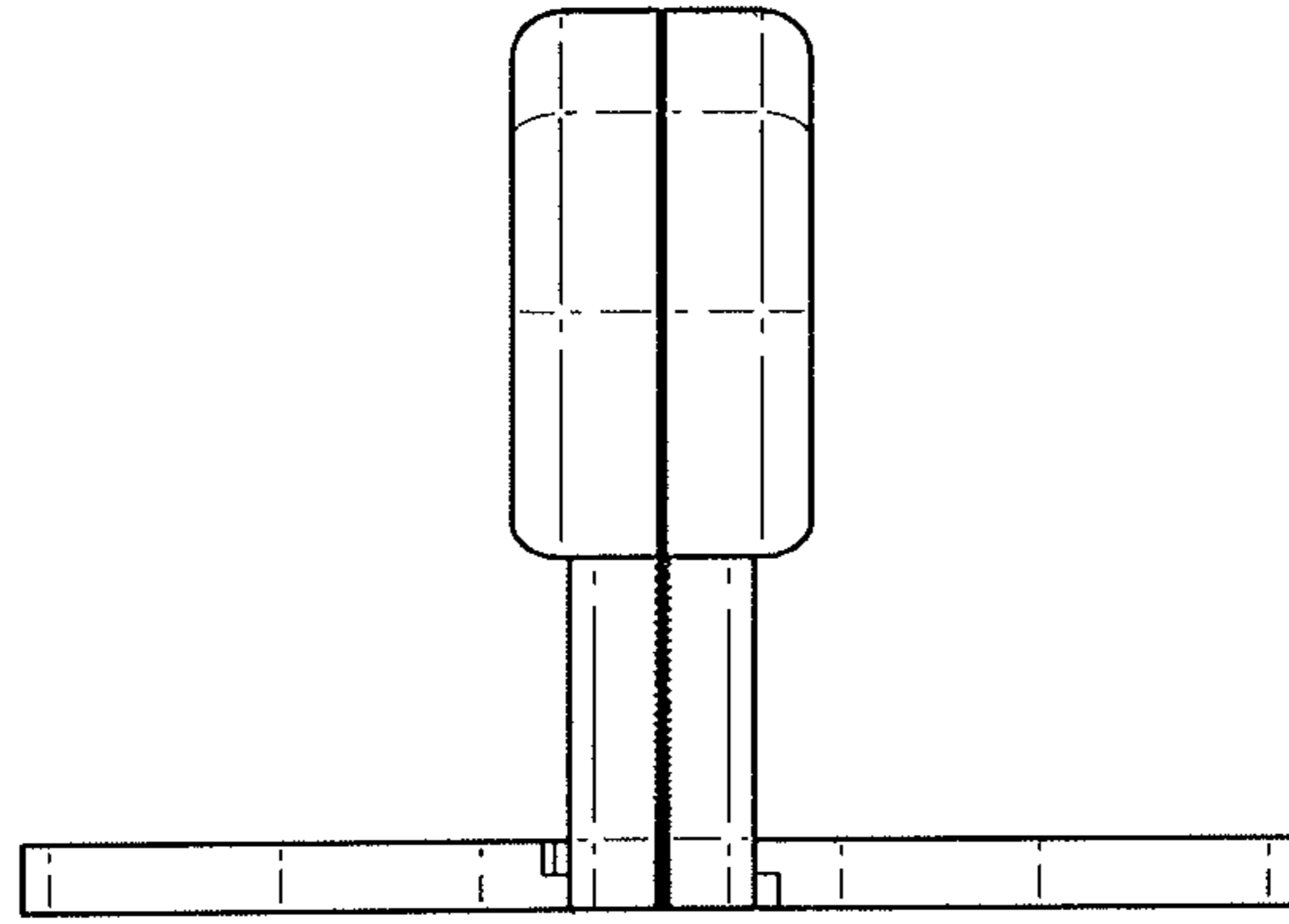
**FIG. 3**



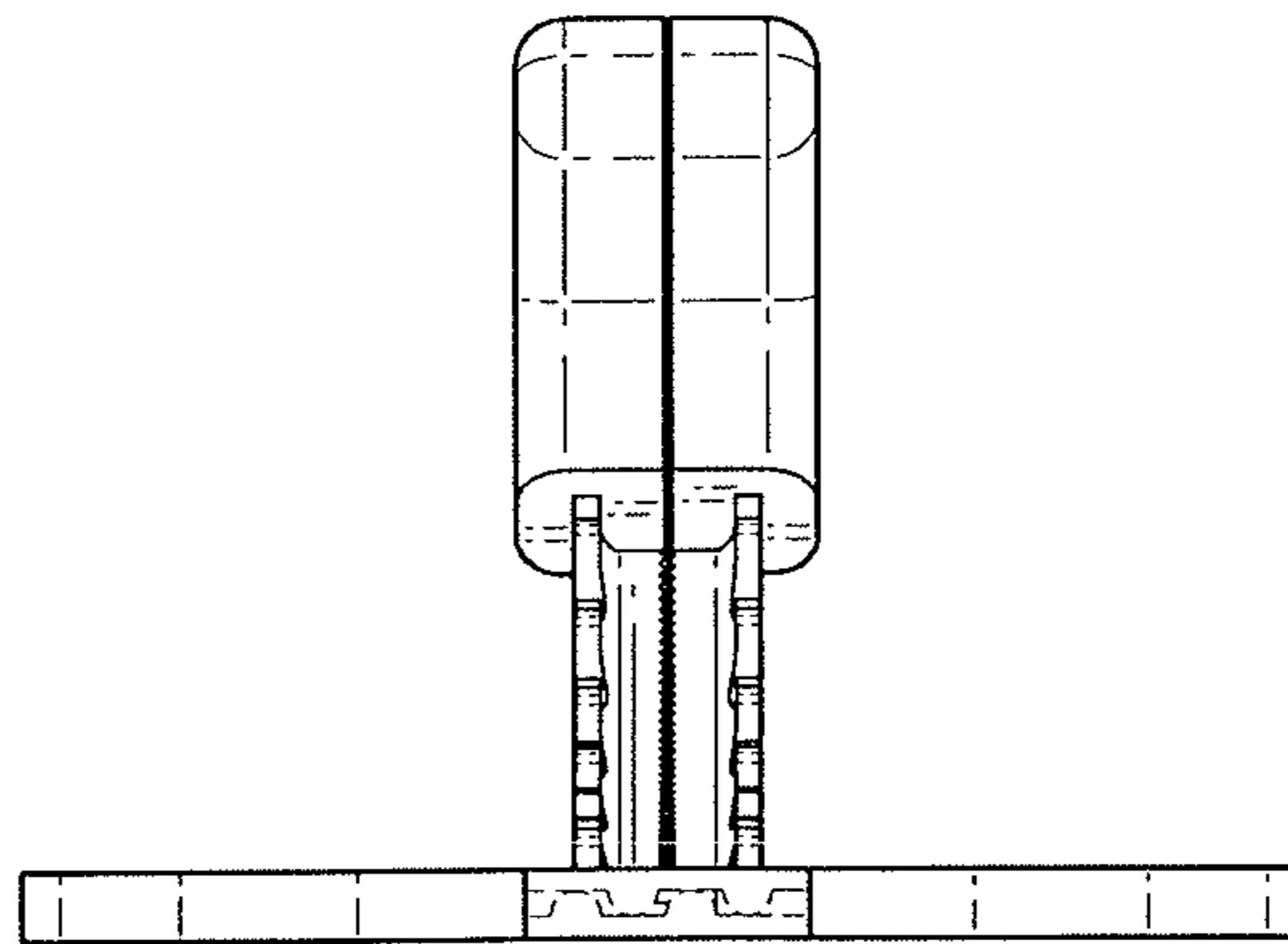
**FIG. 4**



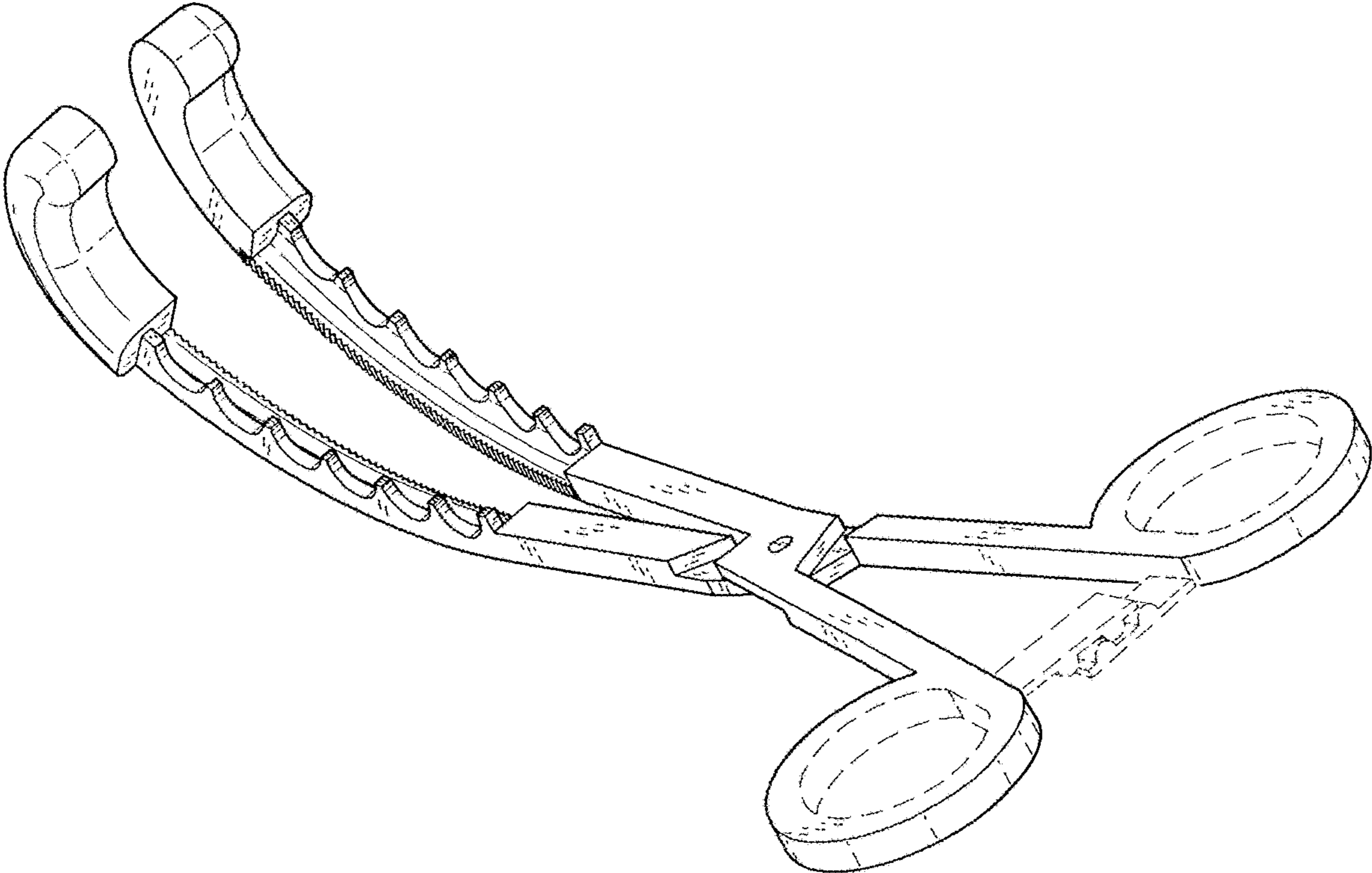
**FIG. 5**



**FIG. 6**



**FIG. 7**



**FIG. 8**