



US00D908873S

(12) **United States Design Patent**
Kwon et al.

(10) **Patent No.:** **US D908,873 S**
(45) **Date of Patent:** **** Jan. 26, 2021**

(54) **HANDLE FOR A SURGICAL INSTRUMENT**

2017/2927; A61B 34/71; A61B 34/70;
F61H 9/06; Y10T 74/28832

(71) Applicant: **LIVSMED INC.**, Seongnam-si (KR)

See application file for complete search history.

(72) Inventors: **Jin Ho Kwon**, Seongnam-si (KR); **Hee Jin Kim**, Seoul (KR); **Jung Joo Lee**, Yongin-si (KR)

(56) **References Cited**

(73) Assignee: **LIVSMED INC.**, Seongnam-si (KR)

U.S. PATENT DOCUMENTS

(**) Term: **15 Years**

(21) Appl. No.: **35/507,318**

(22) Filed: **Jan. 14, 2019**

(80) **Hague Agreement Data**

Int. Filing Date: **Jan. 14, 2019**
Int. Reg. No.: **DM/202360**
Int. Reg. Date: **Jan. 14, 2019**
Int. Reg. Pub. Date: **Aug. 23, 2019**

D631,965 S *	2/2011	Price	D24/133
D632,785 S *	2/2011	Risoli	D24/133
D666,291 S *	8/2012	Baehr	D24/133
D670,380 S *	11/2012	Sapalev	D24/133
D679,010 S *	3/2013	Kitayama	D24/133
D683,852 S *	6/2013	Gonzales	D24/133
D687,549 S *	8/2013	Johnson	D24/133
D717,949 S *	11/2014	Peschke	D24/133
D724,727 S *	3/2015	Lubensky	D24/133
D745,146 S *	12/2015	Hess	D24/133
D777,914 S *	1/2017	Wapler	D24/133
D844,896 S *	4/2019	Levi	D28/44.1

* cited by examiner

(30) **Foreign Application Priority Data**

Jul. 13, 2018 (KR) 30-2018-0032433

(51) **LOC (13) Cl.** **24-02**

(52) **U.S. Cl.**
USPC **D24/133**

(58) **Field of Classification Search**

USPC D24/127, 130, 133, 146, 147, 106, 108,
D24/109, 112, 187, 196, 200, 210, 214,
D24/113, 114, 115, 116, 117, 134, 136,
D24/137; D8/14, 16, 19, 21, 34, 77, 82,
D8/83, 84, 85, 86, 107, 300, 303, 314,
D8/372, 374, 394
CPC .. A61B 2017/00398; A61B 2017/0473; A61B
2017/0046; A61B 2017/00464; A61B
2017/00477; A61B 2017/07285; A61B
17/2909; A61B 2017/0023; A61B
2017/2925; A61B 17/00; A61B 17/32;
A61B 17/3213; A61B 17/29; A61B

Primary Examiner — Samantha Q Lawrence
(74) *Attorney, Agent, or Firm* — Novick, Kim & Lee,
PLLC; Sang Ho Lee; Hyun Woo Shin

(57) **CLAIM**

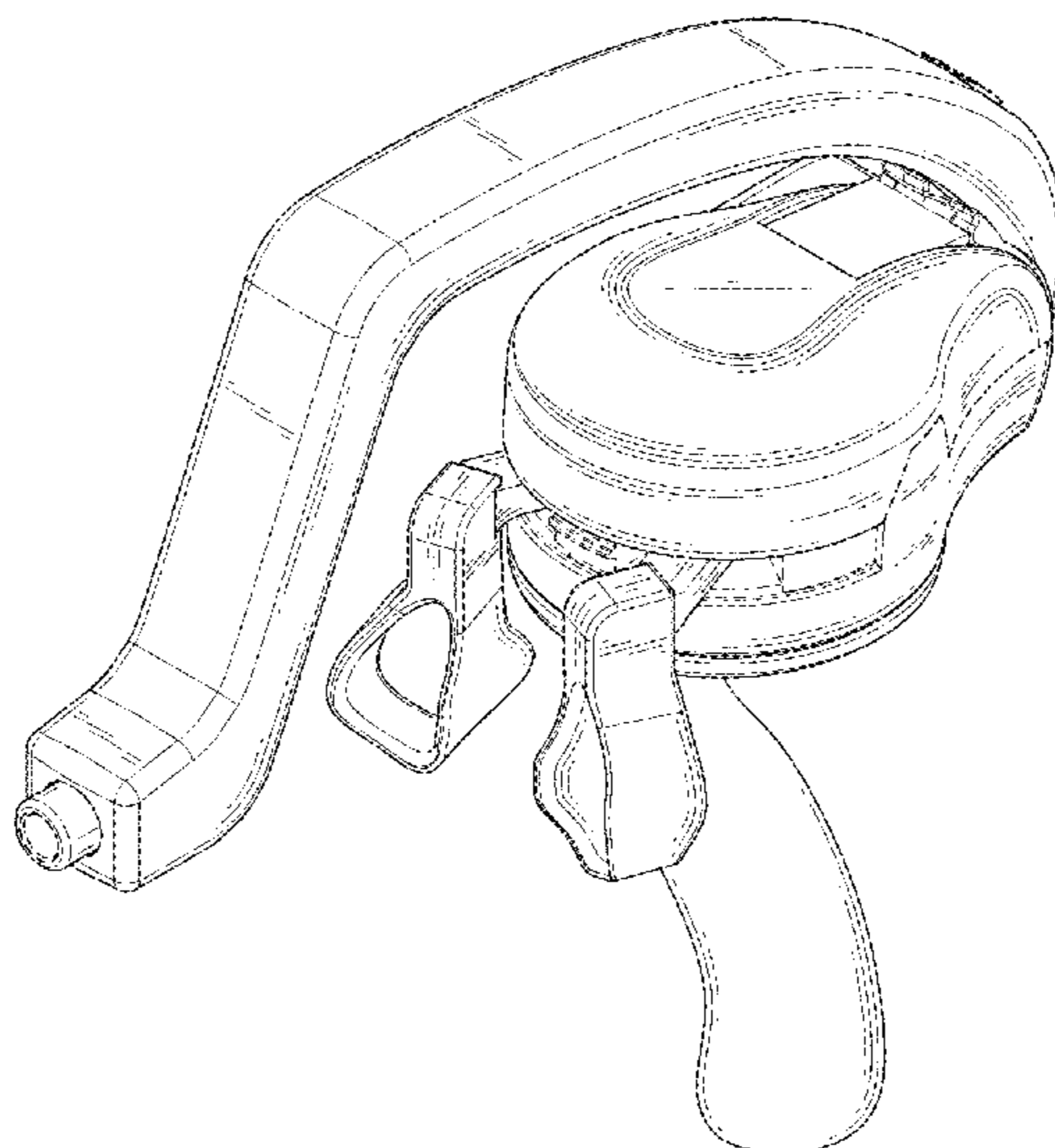
The ornamental design for a handle for surgical instrument,
as shown and described.

DESCRIPTION

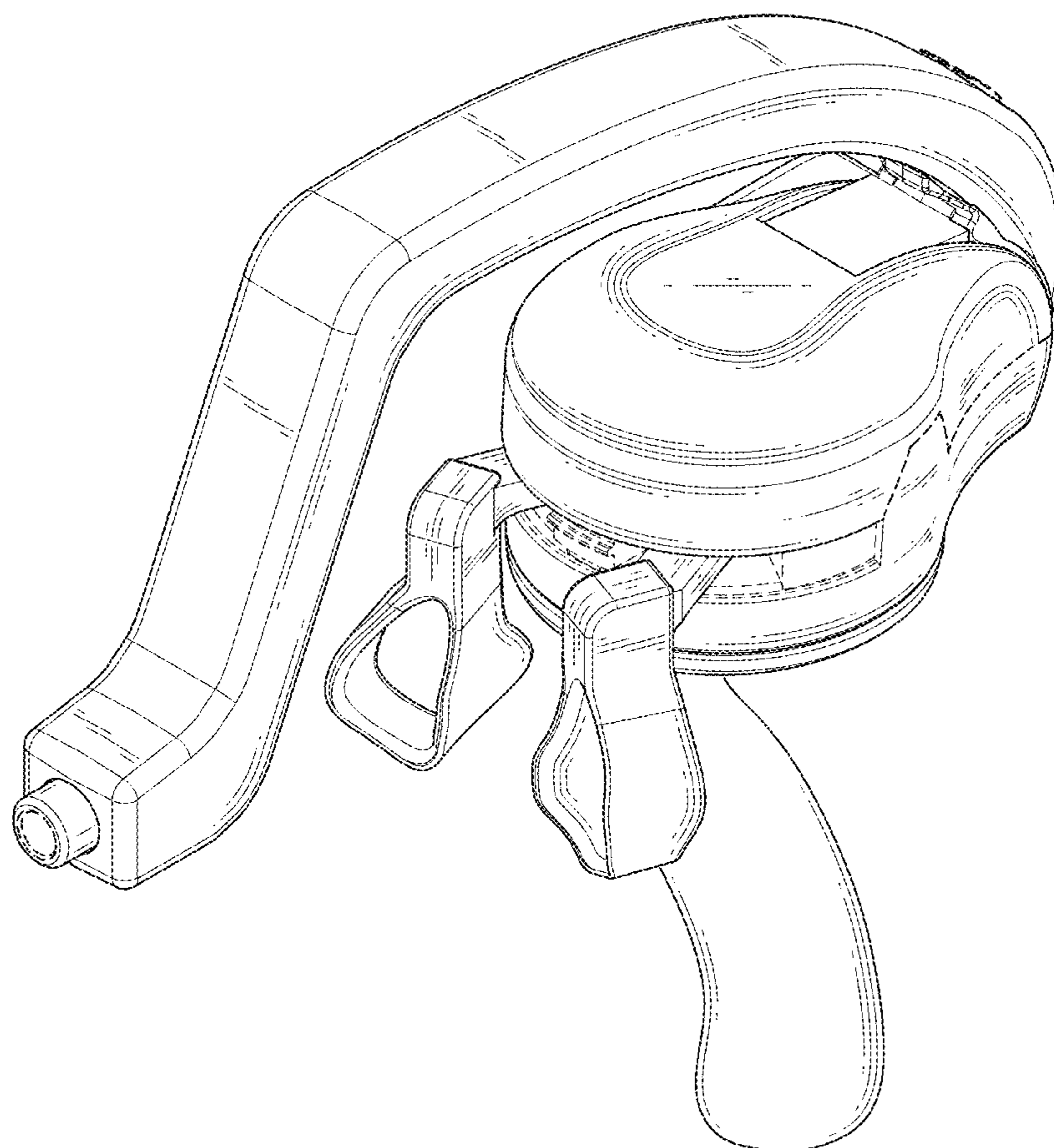
FIG. 1.1 is a perspective view of a handle for surgical
instrument showing our new design;
FIG. 1.2 is a front elevational view thereof;
FIG. 1.3 is a rear elevational view thereof;
FIG. 1.4 is a left side elevational view thereof;
FIG. 1.5 is a right side elevational view thereof;
FIG. 1.6 is a top plan view thereof; and
FIG. 1.7 is a bottom plan view thereof.

The broken lines in the drawings illustrate portions of the
handle for surgical instrument that form no part of the
claimed design.

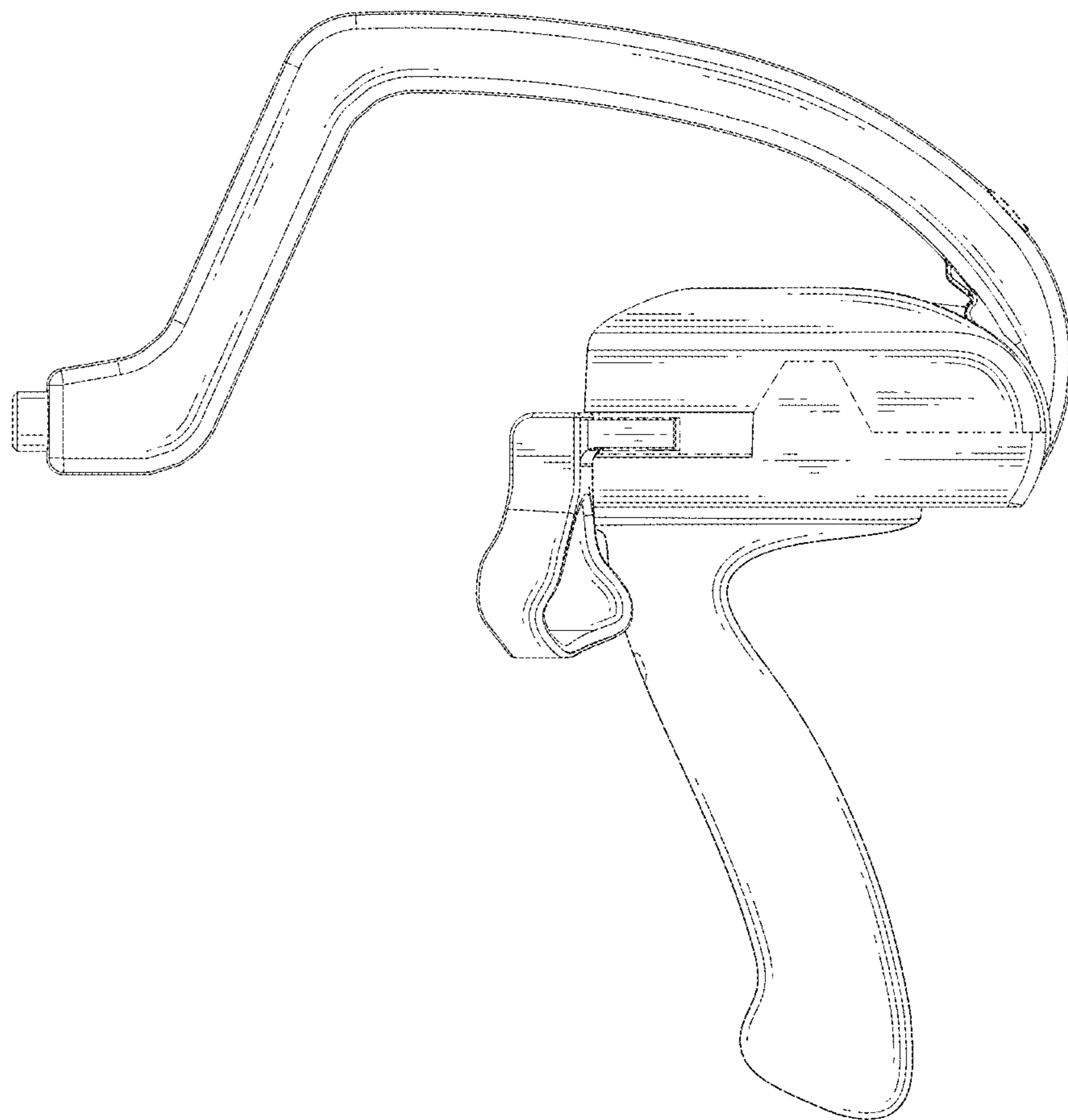
1 Claim, 7 Drawing Sheets



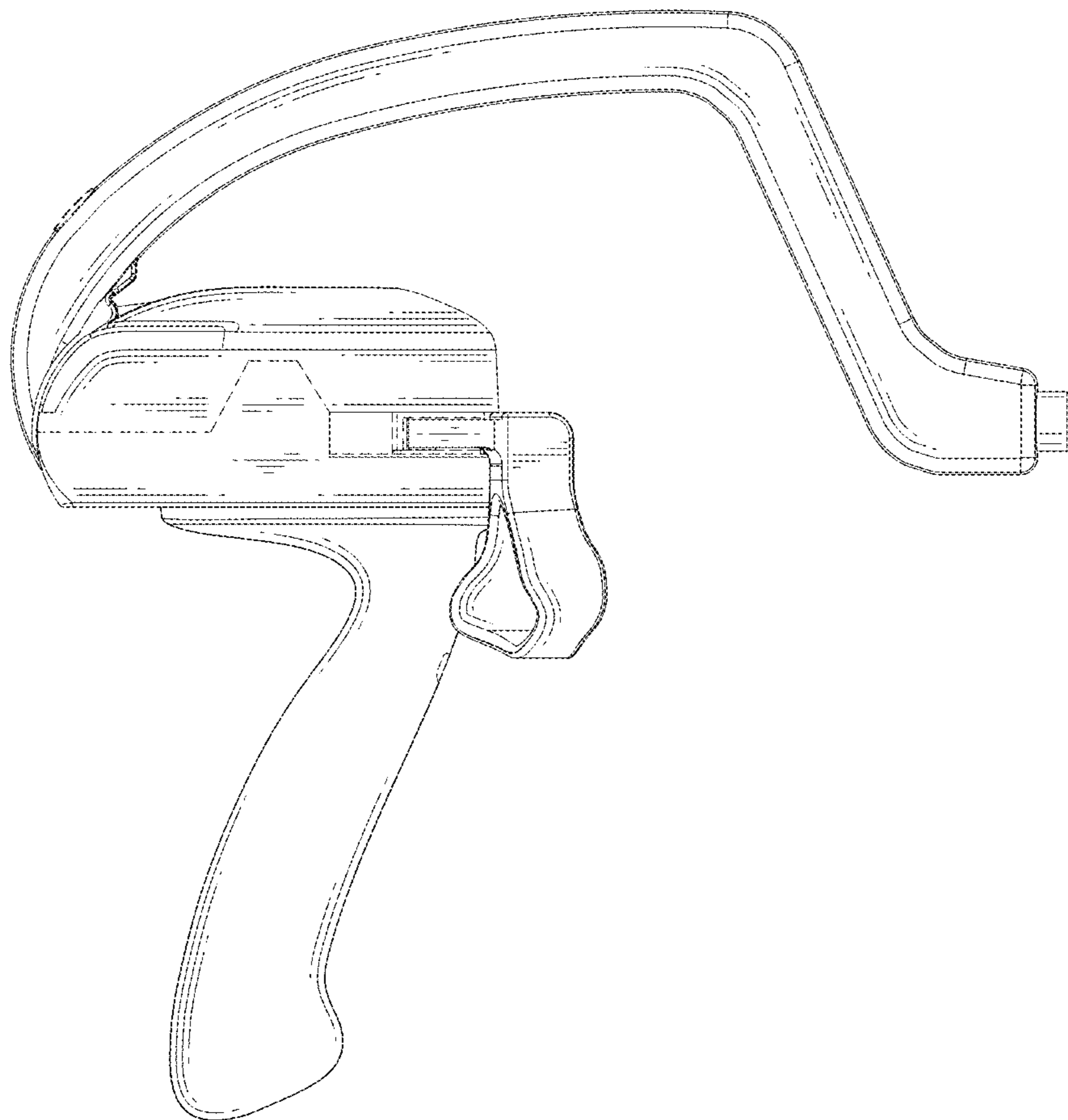
1.1



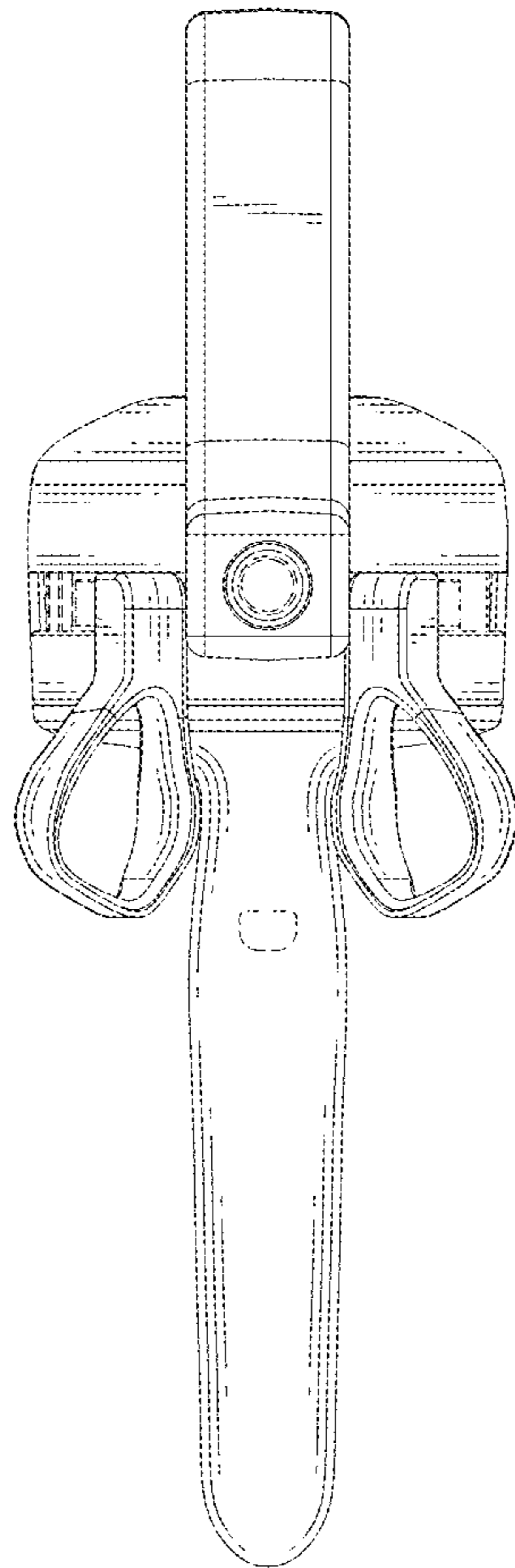
1.2



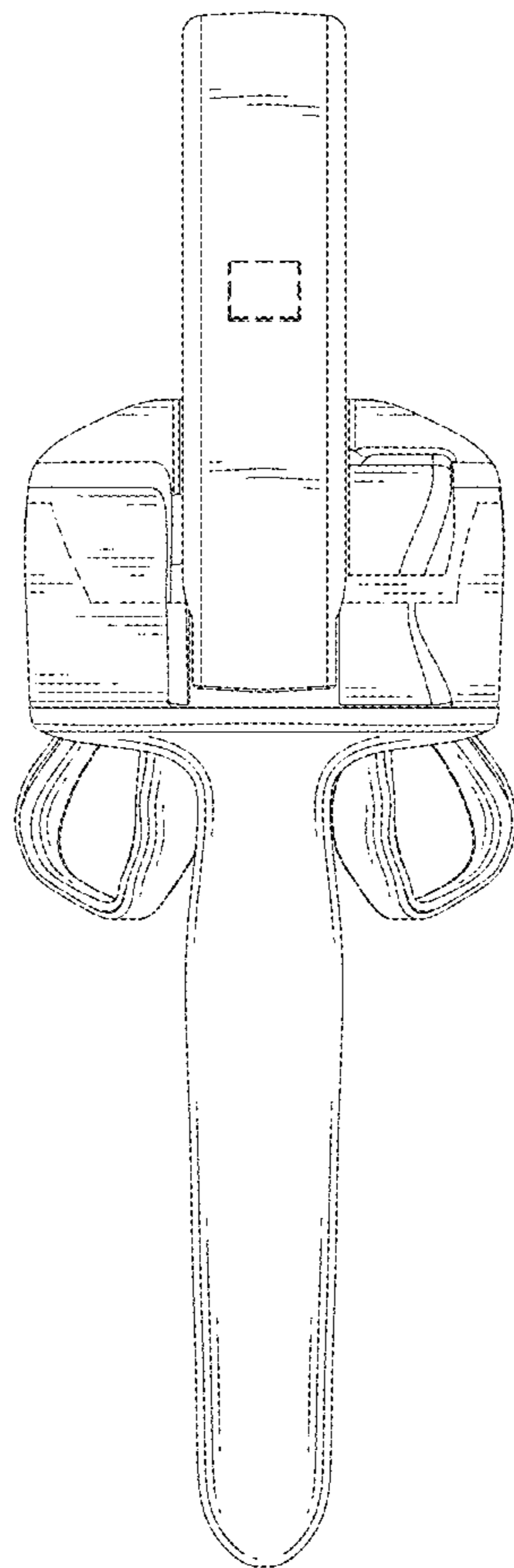
1.3



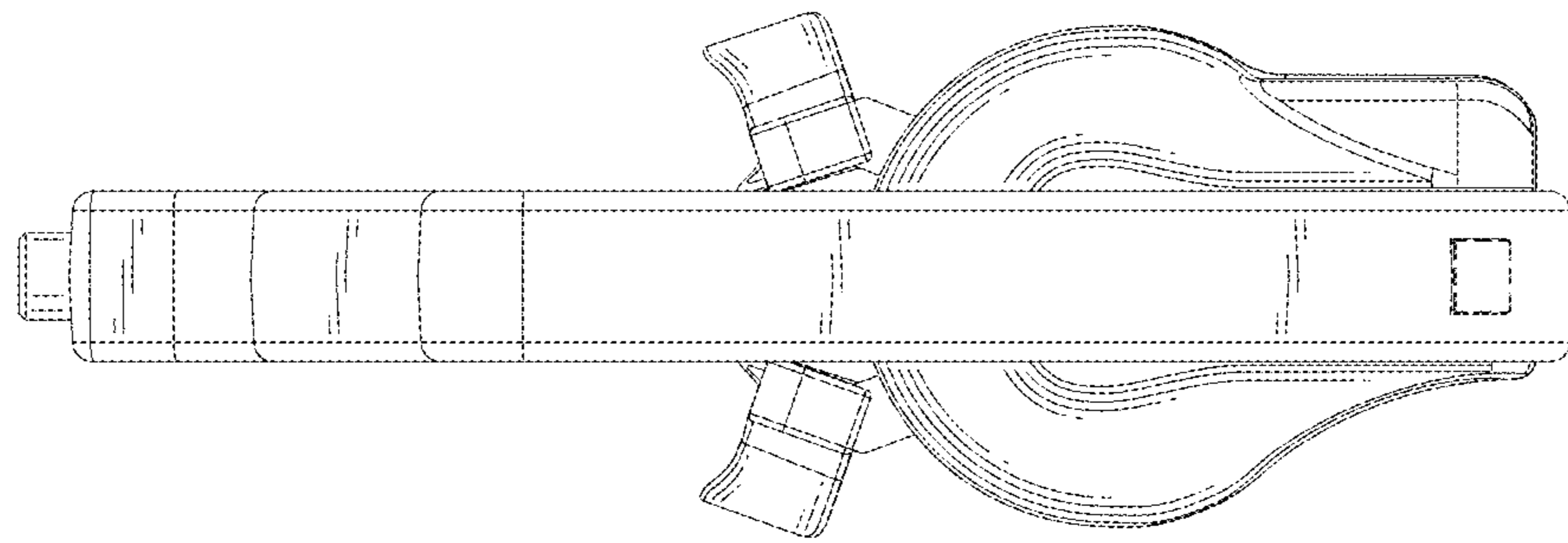
1.4



1.5



1.6



1.7

