



US00D908872S

(12) **United States Design Patent** (10) **Patent No.:** **US D908,872 S**
Marici et al. (45) **Date of Patent:** **** Jan. 26, 2021**

(54) **MEDICAL VIAL ACCESS DEVICE**

(71) Applicant: **Becton Dickinson and Company Limited**, Dun Laoghaire (IE)

(72) Inventors: **Paul Paia Marici**, Piscataway, NJ (US); **Laurie Sanders**, Glen Ridge, NJ (US); **Girum Yemane-Tekeste**, Hackensack, NJ (US); **Matthew Oshinski**, Andover, NJ (US)

(73) Assignee: **Becton Dickinson and Company Limited**, Dun Laoghaire (IE)

(**) Term: **15 Years**

(21) Appl. No.: **29/643,121**

(22) Filed: **Apr. 4, 2018**

(51) **LOC (13) Cl.** **24-02**

(52) **U.S. Cl.**
USPC **D24/129**

(58) **Field of Classification Search**
USPC D24/127–131, 112–114, 133, 186;
606/181, 185; 604/264, 523–528, 272,
604/187, 158, 164.01–164.11, 181, 184,
604/227; 600/101, 139, 143;
128/200.24, 207.14, 207.15
CPC .. A61M 25/065; A61M 5/42; A61M 25/0612;
A61M 25/00; A61M 39/00; A61M 27/00;
A61M 25/0043; A61M 25/0067; A61F
2/958
See application file for complete search history.

(56) **References Cited**

U.S. PATENT DOCUMENTS

- D453,221 S * 1/2002 Haytman D24/129
- D483,487 S * 12/2003 Harding D24/129
- D641,080 S * 7/2011 Zinger D24/129
- D717,947 S * 11/2014 Cederschiold D24/129
- D720,067 S * 12/2014 Rosenquist D24/129

- D720,451 S * 12/2014 Denenburg D24/129
- 9,089,474 B2 7/2015 Cederschiold
- 9,168,203 B2 10/2015 Rosenquist et al.
- D747,472 S * 1/2016 Bradley D24/129
- 9,414,990 B2 8/2016 Ivosevic et al.
- 9,414,991 B2 8/2016 Sanders et al.
- D773,659 S * 12/2016 Cain D24/129
- 9,597,260 B2 3/2017 Ivosevic et al.
- D784,529 S * 4/2017 Steele D24/129
- 9,636,278 B2 5/2017 Sanders et al.
- 9,642,775 B2 5/2017 Sanders et al.
- 9,724,269 B2 8/2017 Sjogren et al.
- D800,899 S * 10/2017 Adams D24/129
- 9,822,891 B2 11/2017 Cederschiold

(Continued)

FOREIGN PATENT DOCUMENTS

- WO 2013176586 A1 11/2013
- WO 2015069643 A1 5/2015
- WO 2015164365 A1 10/2015

Primary Examiner — David G Muller

(74) *Attorney, Agent, or Firm* — The Webb Law Firm

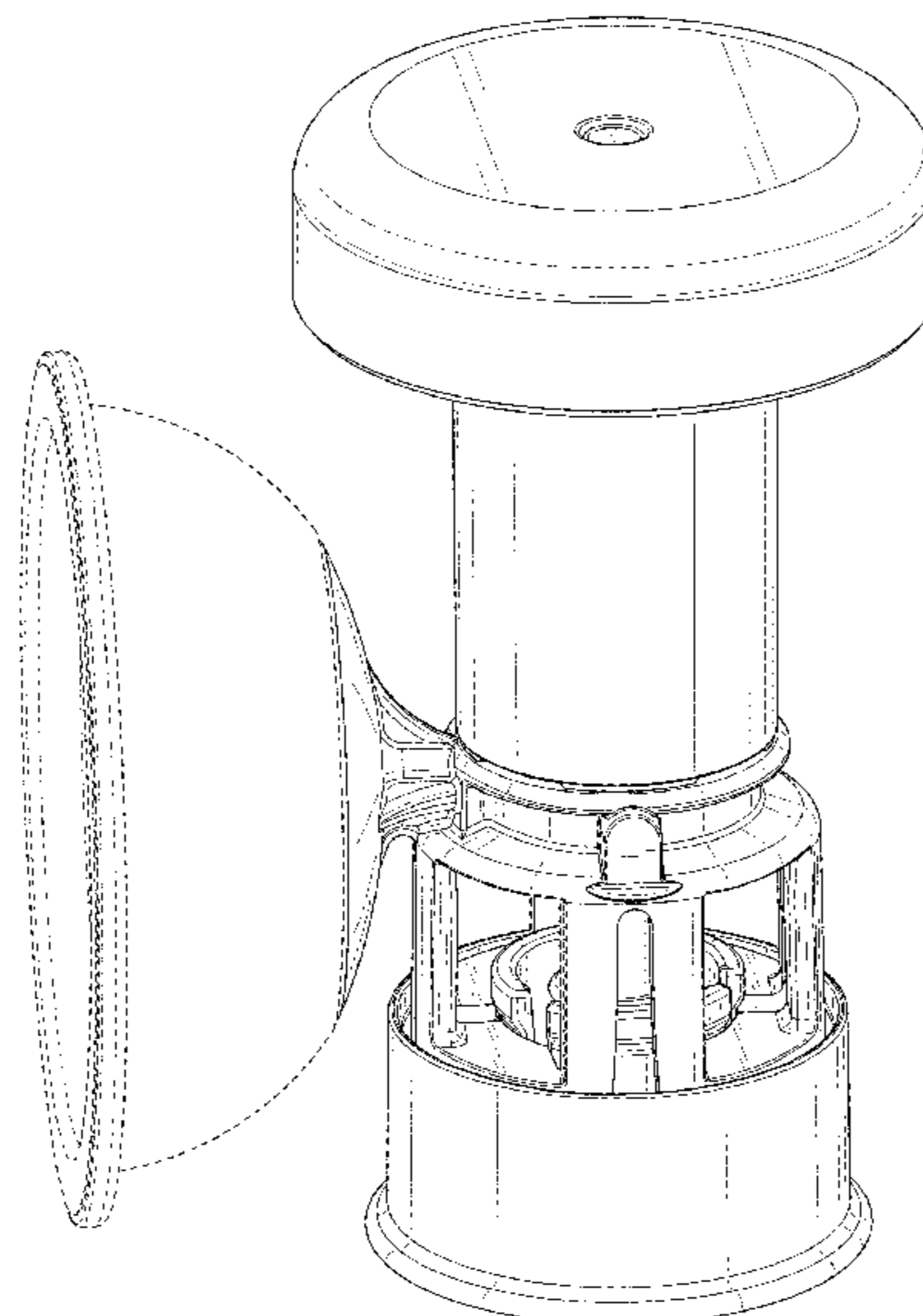
(57) **CLAIM**

The ornamental design for a medical vial access device, as shown and described.

DESCRIPTION

FIG. 1 is a perspective view of a medical vial access device showing an embodiment of our new design;
 FIG. 2 is a front elevation view thereof;
 FIG. 3 is a rear elevation view thereof;
 FIG. 4 is a left side elevation view thereof;
 FIG. 5 is a right side elevation view thereof;
 FIG. 6 is a top plan view thereof; and,
 FIG. 7 is a bottom plan view thereof.
 Portions of the medical vial access device shown in dashed lines in FIGS. 1-8 depict unclaimed portions of the medical vial access device that are included for environmental purposes only.

1 Claim, 7 Drawing Sheets



(56)

References Cited

U.S. PATENT DOCUMENTS

9,833,605 B2 12/2017 Sanders et al.
9,855,192 B2 1/2018 Kim et al.
D812,743 S * 3/2018 Guala D24/129
9,919,826 B2 3/2018 Ivosevic et al.
9,956,138 B2 5/2018 Ohlin
9,968,771 B2 5/2018 Wong
9,980,878 B2 5/2018 Marici et al.
D846,737 S * 4/2019 Karasawa D24/130
D851,243 S * 6/2019 Gloria Bello D24/129
2014/0276649 A1 9/2014 Ivosevic et al.
2015/0297451 A1 10/2015 Marici et al.
2015/0297459 A1 10/2015 Sanders
2016/0287475 A1 10/2016 Yevmenenko et al.
2016/0361504 A1 12/2016 Kim et al.
2017/0087297 A1 3/2017 Hanner et al.
2018/0200145 A1 7/2018 Sanders et al.
2018/0200146 A1 7/2018 Sanders et al.
2018/0200147 A1 7/2018 Sanders
2018/0200148 A1 7/2018 Sanders
2018/0200498 A1 7/2018 Sanders

* cited by examiner

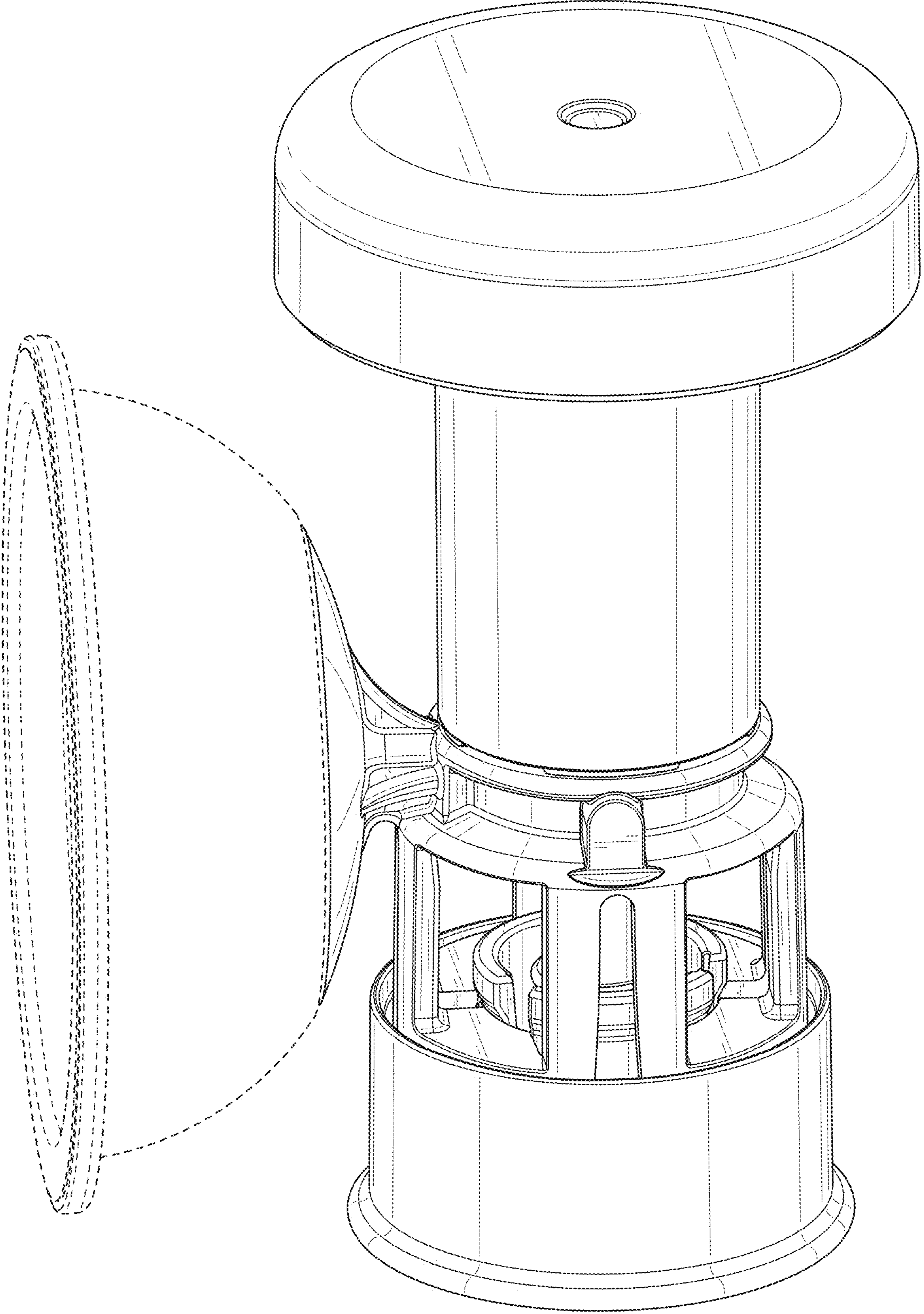


FIG. 1

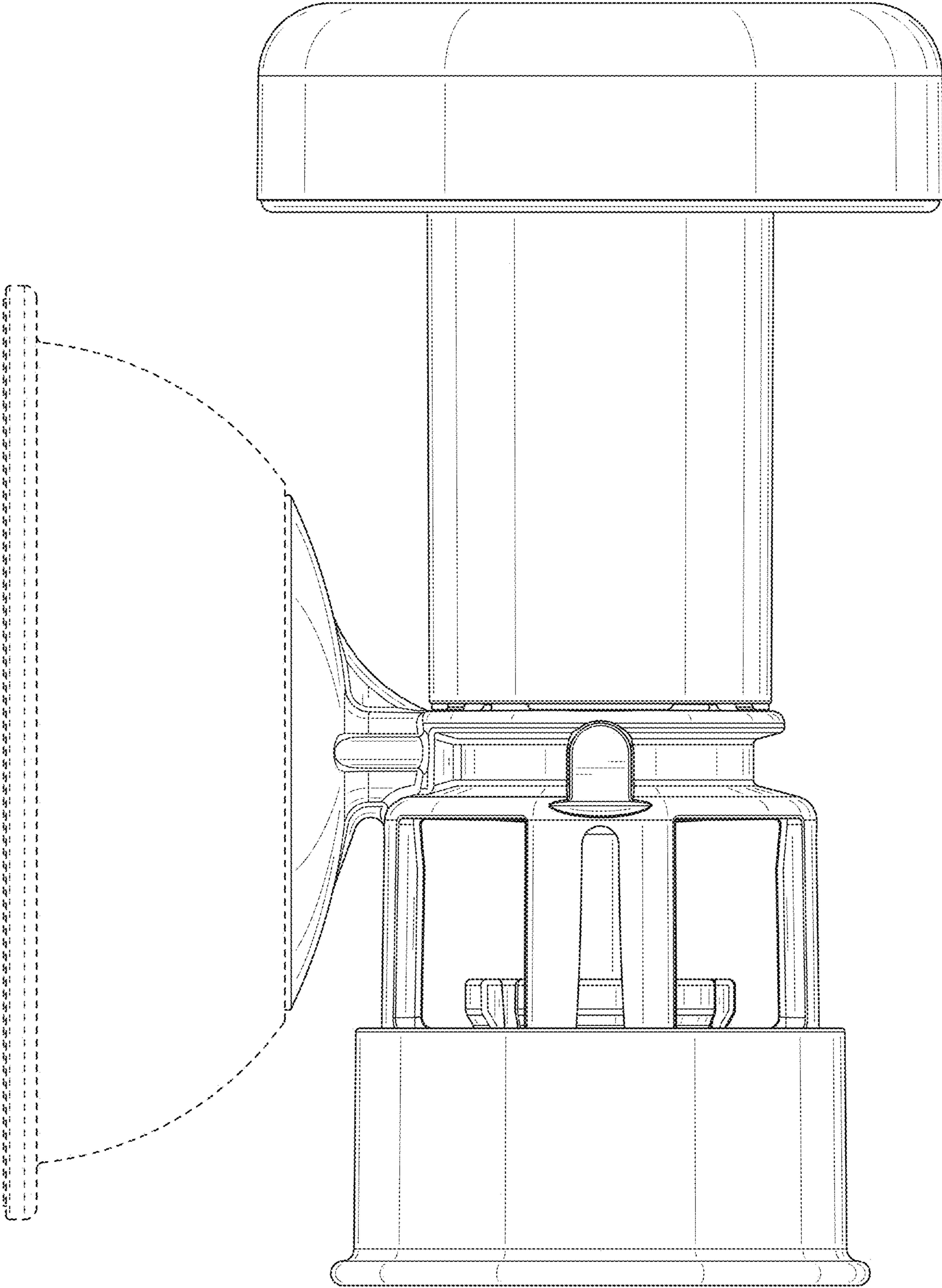


FIG. 2

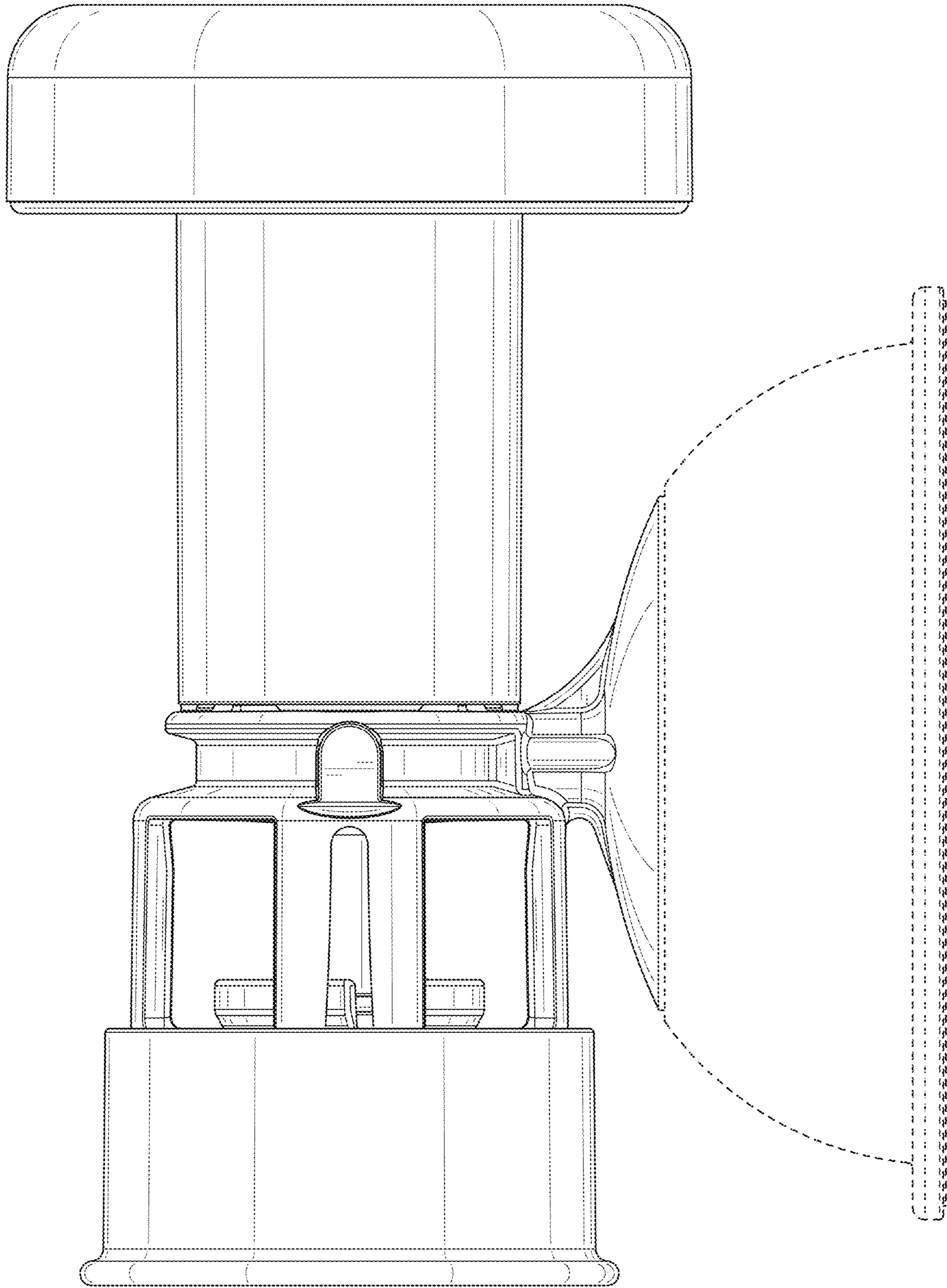


FIG. 3

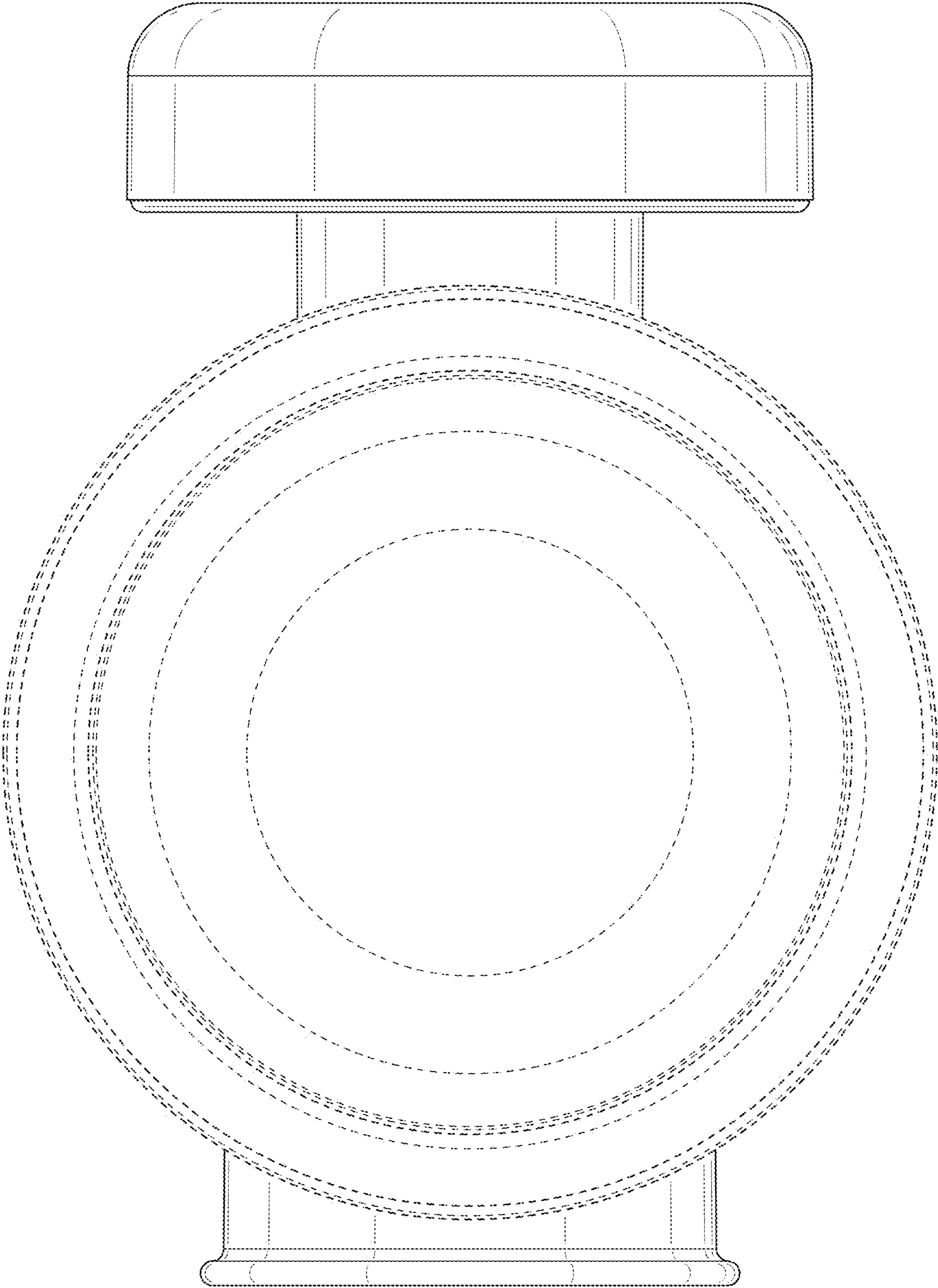


FIG. 4

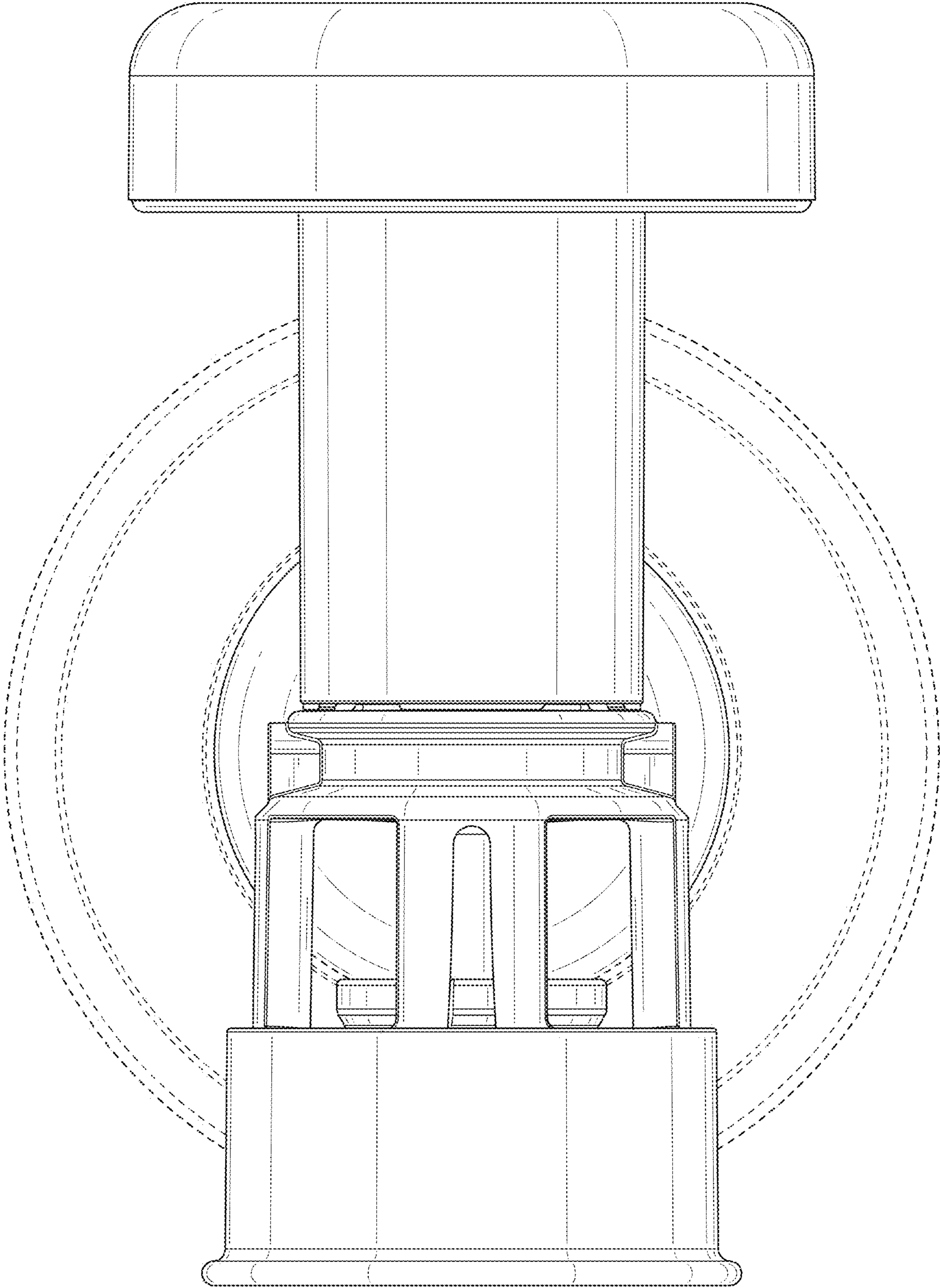


FIG. 5

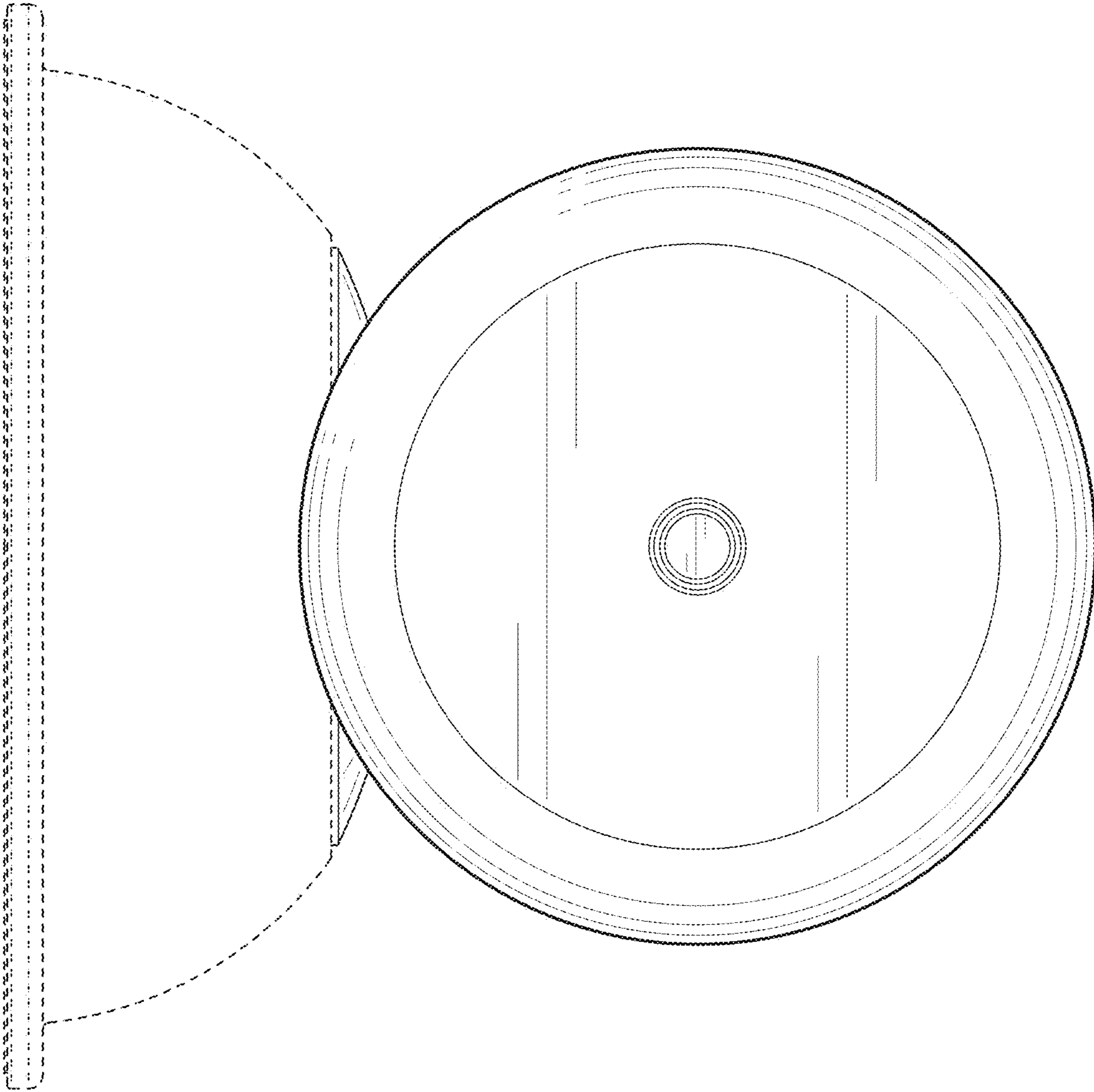


FIG. 6

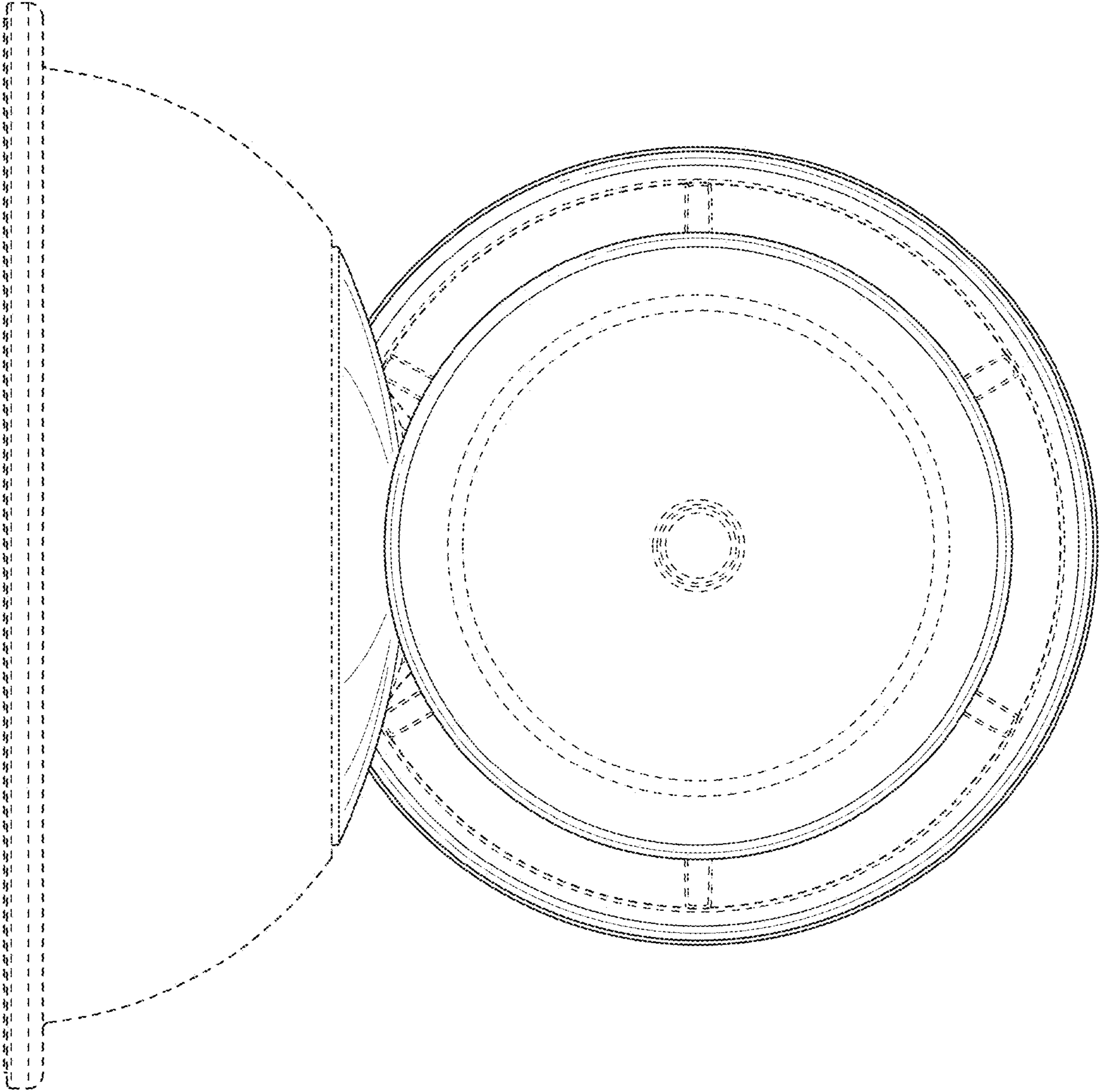


FIG. 7

UNITED STATES PATENT AND TRADEMARK OFFICE
CERTIFICATE OF CORRECTION

PATENT NO. : D908,872 S
APPLICATION NO. : 29/643121
DATED : January 26, 2021
INVENTOR(S) : Paul Paia Marici et al.

Page 1 of 1

It is certified that error appears in the above-identified patent and that said Letters Patent is hereby corrected as shown below:

On the Title Page

Column 2, under the title DESCRIPTION, Line 10, Delete "1-8" and insert -- 1-7 --

Signed and Sealed this
Twenty-second Day of June, 2021



Drew Hirshfeld
*Performing the Functions and Duties of the
Under Secretary of Commerce for Intellectual Property and
Director of the United States Patent and Trademark Office*