



US00D908868S

(12) **United States Design Patent** (10) **Patent No.:** **US D908,868 S**  
**Rogge et al.** (45) **Date of Patent:** **\*\* Jan. 26, 2021**

(54) **INJECTION DEVICE**

(71) Applicant: **Sanofi**, Paris (FR)

(72) Inventors: **Christian Rogge**, Munich (DE); **Philipp Oster**, Munich (DE); **Carolin Frontzek**, Munich (DE); **James Collins**, Bridgewater, NJ (US); **Alex Zuyev**, Frankfurt am Main (DE); **Kai Scheinert**, Frankfurt am Main (DE); **Uwe Dasbach**, Frankfurt am Main (DE); **Marc Schader**, Frankfurt am Main (DE)

(73) Assignee: **Sanofi**, Paris (FR)

(\*\*) Term: **15 Years**

(21) Appl. No.: **29/648,590**

(22) Filed: **May 22, 2018**

(30) **Foreign Application Priority Data**

May 16, 2018 (EM) ..... 005 270 055

(51) **LOC (13) Cl.** ..... **24-02**

(52) **U.S. Cl.**  
USPC ..... **D24/113**

(58) **Field of Classification Search**  
USPC ..... D24/112-114, 133, 186, 127-131; 606/181, 185; 604/264, 272, 115, 232, 604/187, 158, 164.08, 192, 263, 163, 181, 604/184, 198, 227; 600/101, 139, 143; 128/200.24, 207.14, 207.15; D19/115-123, 177, 193  
CPC ..... A61M 5/3156; A61M 5/31591; A61M 5/3155; A61M 5/3157; A61M 5/24; A61M 5/31501; A61M 5/31551; A61M 5/31585; A61M 2005/2407; A61M 2005/2492; A61M 2205/581; A61M 2205/582

See application file for complete search history.

(56) **References Cited**

U.S. PATENT DOCUMENTS

D628,690 S \* 12/2010 Galbraith ..... D24/114  
D696,397 S \* 12/2013 Guarraia ..... D24/113  
D696,772 S \* 12/2013 Schneider ..... D24/113  
D708,317 S \* 7/2014 Schneider ..... D24/113

(Continued)

*Primary Examiner* — Nathan M Johnston

(74) *Attorney, Agent, or Firm* — Fish & Richardson P.C.

(57) **CLAIM**

The ornamental design for an injection device, substantially as shown and described.

**DESCRIPTION**

The patent or application file contains at least one drawing executed in color. Copies of this patent or patent publication with color drawings(s) will be provided by the Office upon request and payment of the necessary fee.

“Injection Device with cap—color rendering”

FIG. 1 is a perspective view of a first embodiment of the injection device showing our new design.

FIG. 2 is a front view thereof;

FIG. 3 is a back view thereof;

FIG. 4 is a first side view thereof;

FIG. 5 is a second side view thereof;

FIG. 6 is a top view thereof; and

FIG. 7 is a bottom view thereof.

“Injection Device with cap—black and white rendering”

FIG. 8 is a perspective view of a second embodiment of the injection device showing our new design.

FIG. 9 is a front view thereof;

FIG. 10 is a back view thereof;

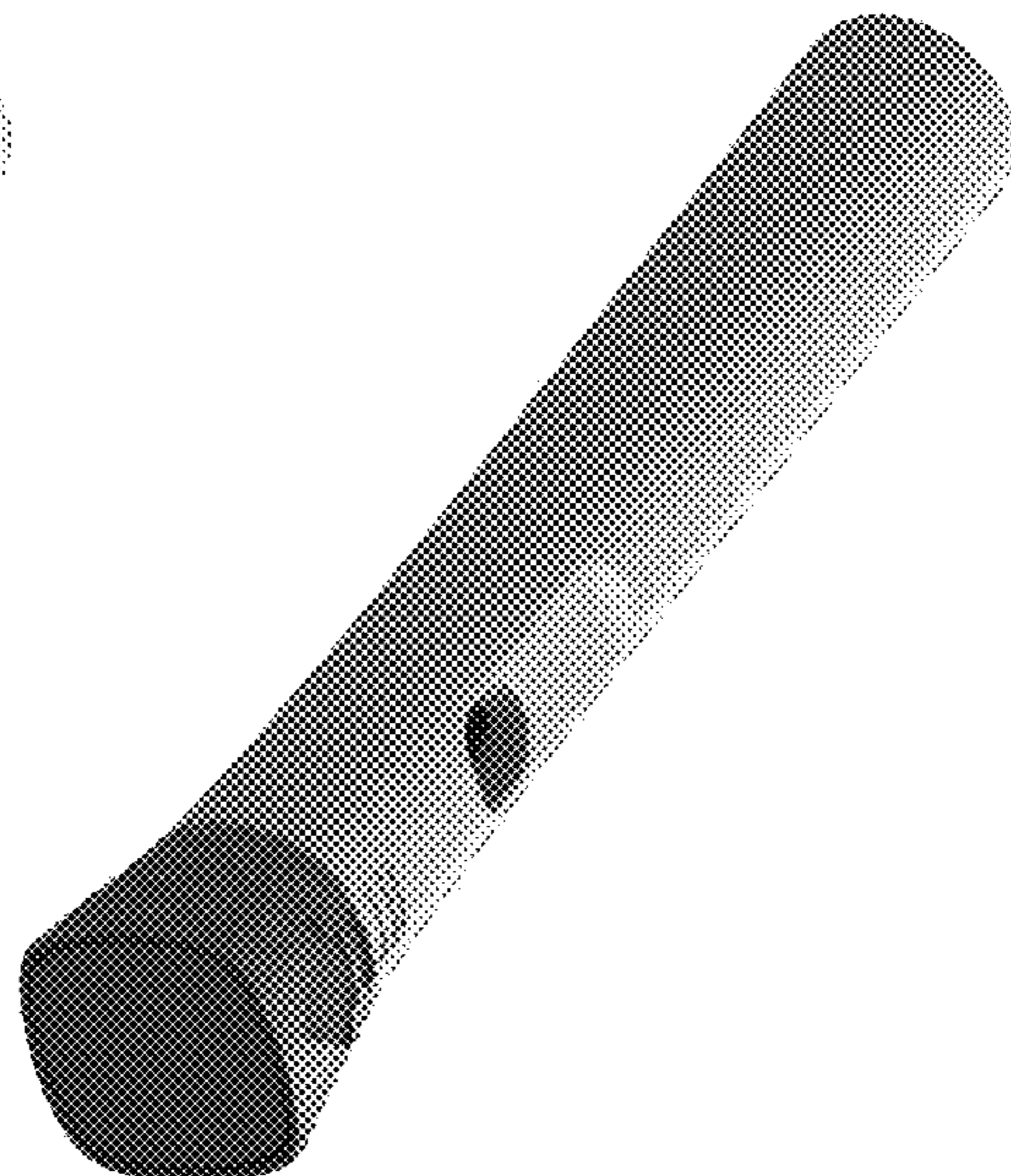
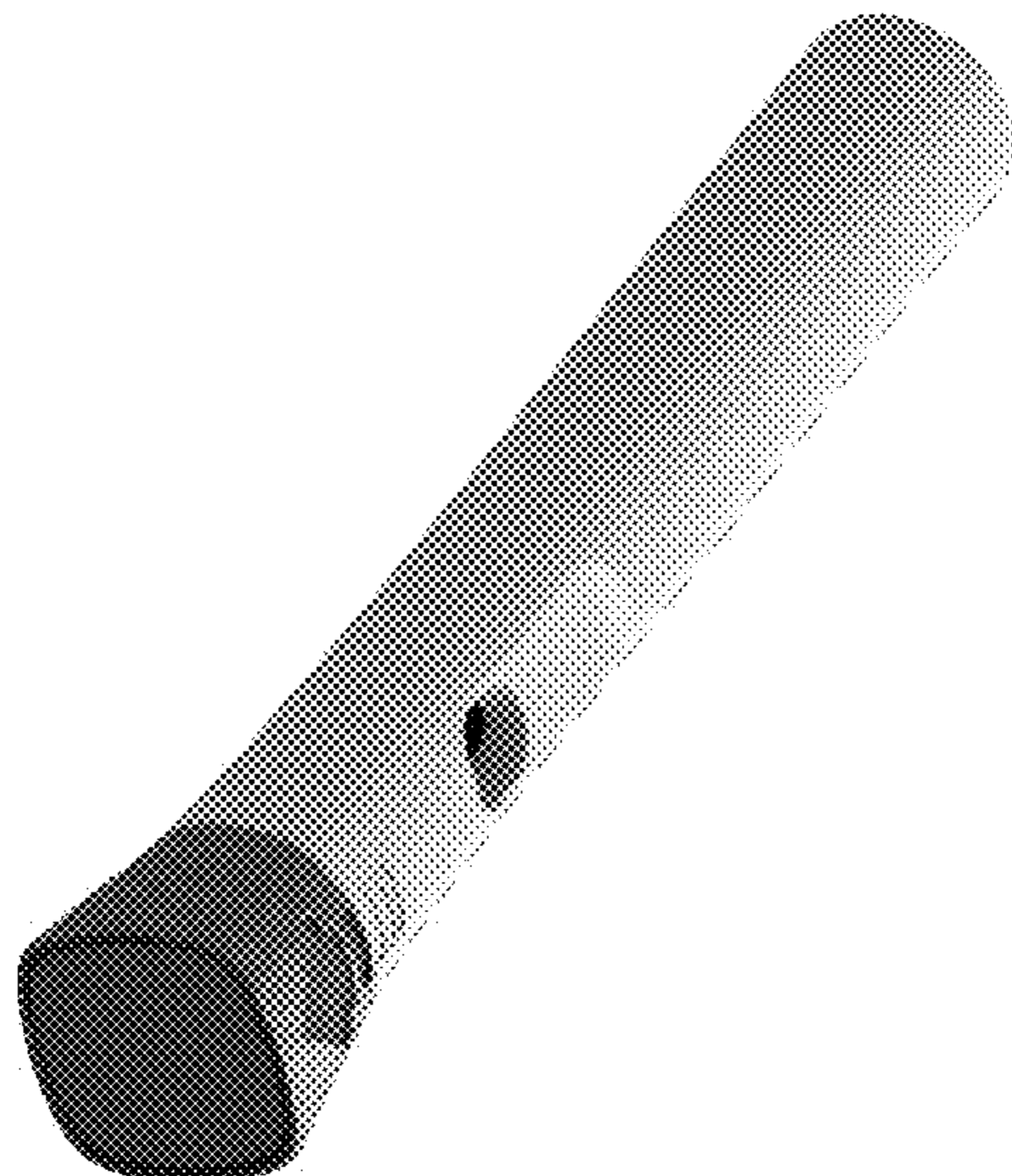
FIG. 11 is a first side view thereof;

FIG. 12 is a second side view thereof;

FIG. 13 is a top view thereof; and,

FIG. 14 is a bottom view thereof.

**1 Claim, 8 Drawing Sheets**  
**(4 of 8 Drawing Sheet(s) Filed in Color)**



(56)

**References Cited**

## U.S. PATENT DOCUMENTS

D714,932 S \* 10/2014 Hall ..... D24/112  
D728,782 S \* 5/2015 Dubuc ..... D24/113  
D757,255 S \* 5/2016 Wohlfahrt ..... D24/113  
D770,610 S \* 11/2016 Saussaye ..... D24/113  
D773,648 S \* 12/2016 Wohlfahrt ..... D24/113  
D780,909 S \* 3/2017 Burkett ..... D24/113  
D789,528 S \* 6/2017 Wohlfahrt ..... D24/130  
D793,547 S \* 8/2017 Burkett ..... D24/112  
D794,178 S \* 8/2017 Daniel ..... A61M 5/2033  
D24/113  
D810,282 S \* 2/2018 Ratjen ..... D24/113  
D814,022 S \* 3/2018 Boyaval ..... D24/113  
D819,198 S \* 5/2018 Boyaval ..... D24/113  
D819,200 S \* 5/2018 Stonecipher ..... D24/114  
D822,198 S \* 7/2018 Stonecipher ..... D24/113  
2014/0330216 A1 \* 11/2014 Weaver ..... A61M 5/31513  
604/198  
2014/0364812 A1 \* 12/2014 Lumme ..... A61M 5/2033  
604/198  
2016/0144132 A1 \* 5/2016 Scanlon ..... A61M 5/3204  
604/192  
2016/0303327 A1 \* 10/2016 Moren ..... A61M 5/2033  
2018/0104414 A1 \* 4/2018 Karlsson ..... A61M 5/2033  
2018/0154078 A1 \* 6/2018 Mosebach ..... A61M 5/2033  
2018/0361082 A1 \* 12/2018 Sall ..... A61M 5/5086  
2018/0369490 A1 \* 12/2018 Rehbein ..... A61M 5/24

\* cited by examiner

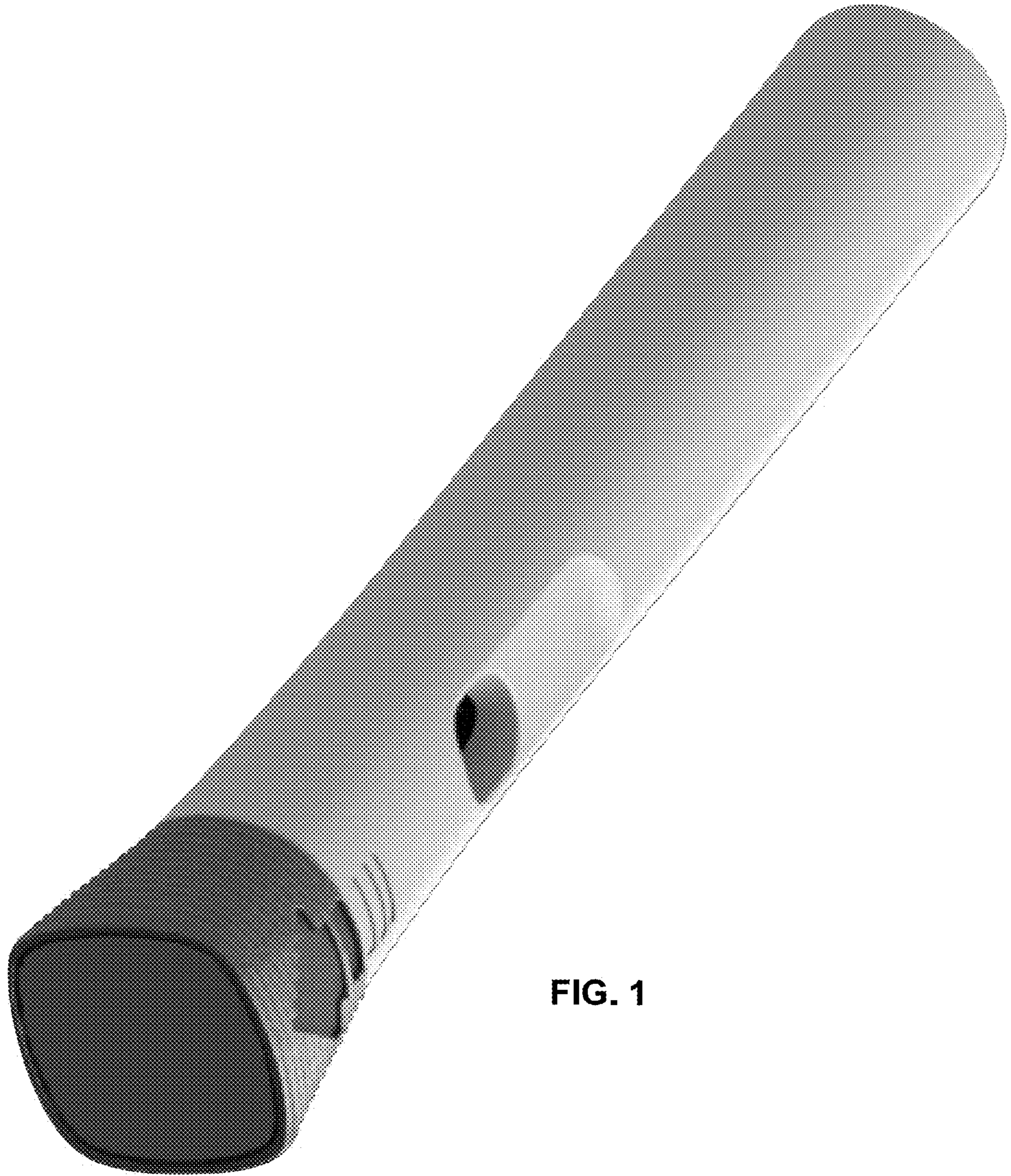


FIG. 1

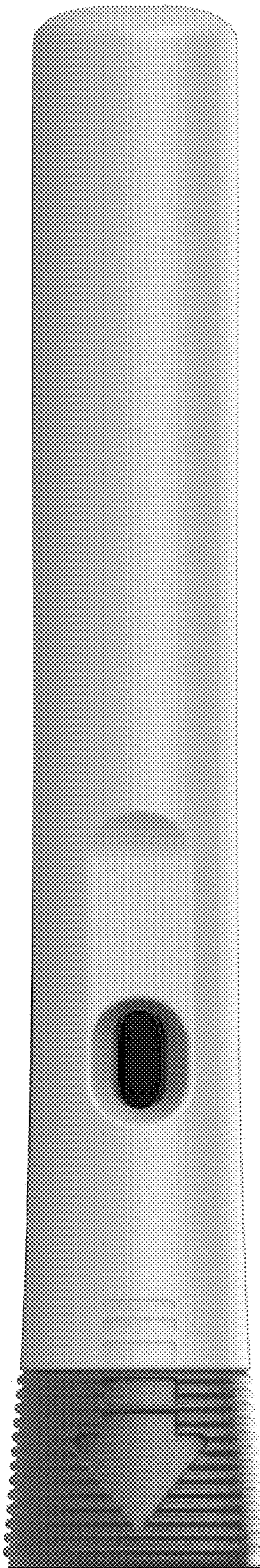


FIG. 2

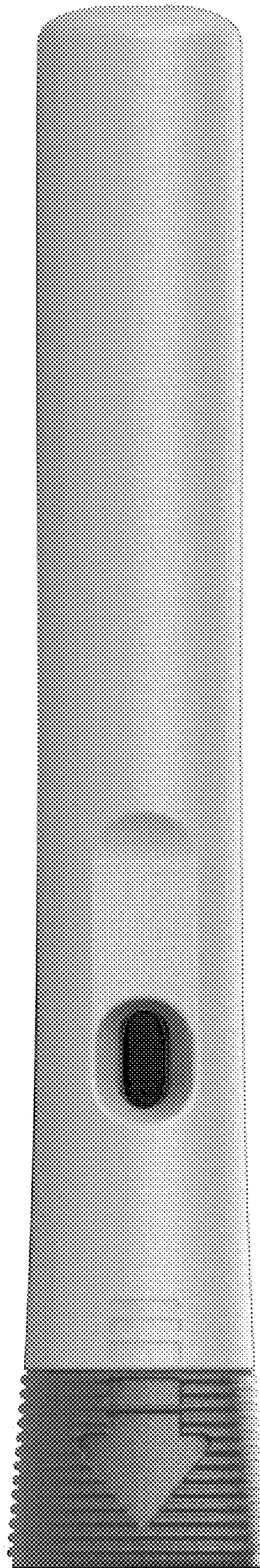


FIG. 3

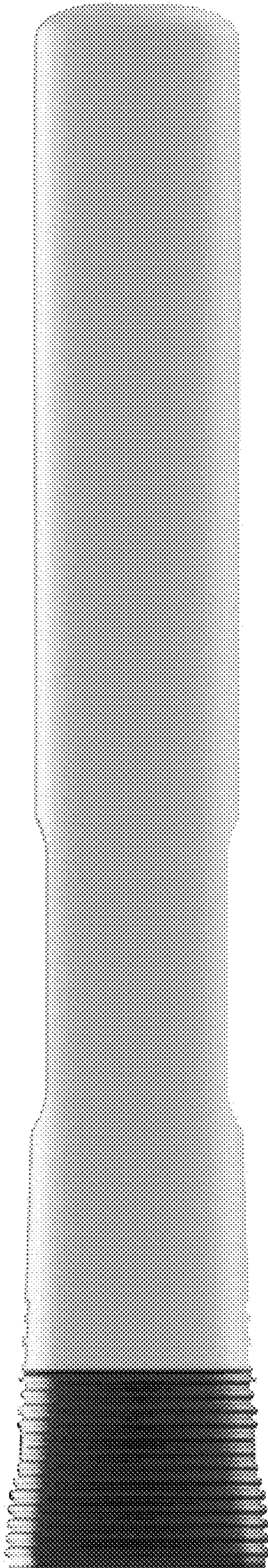


FIG. 4

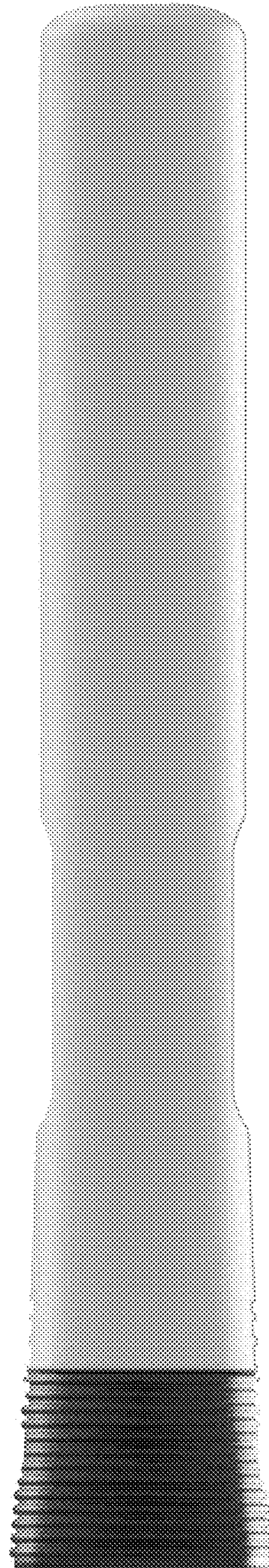


FIG. 5

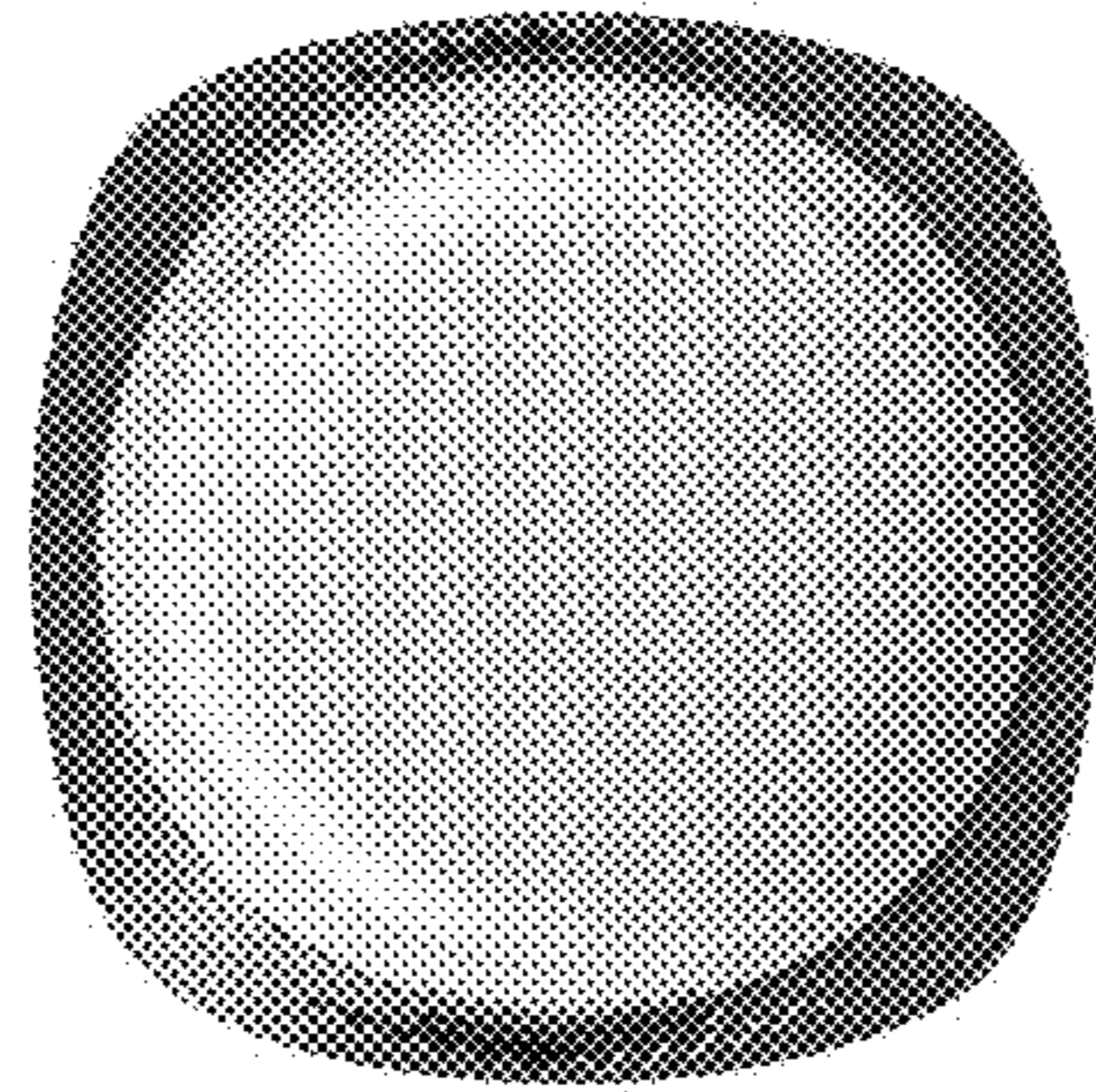


FIG. 6

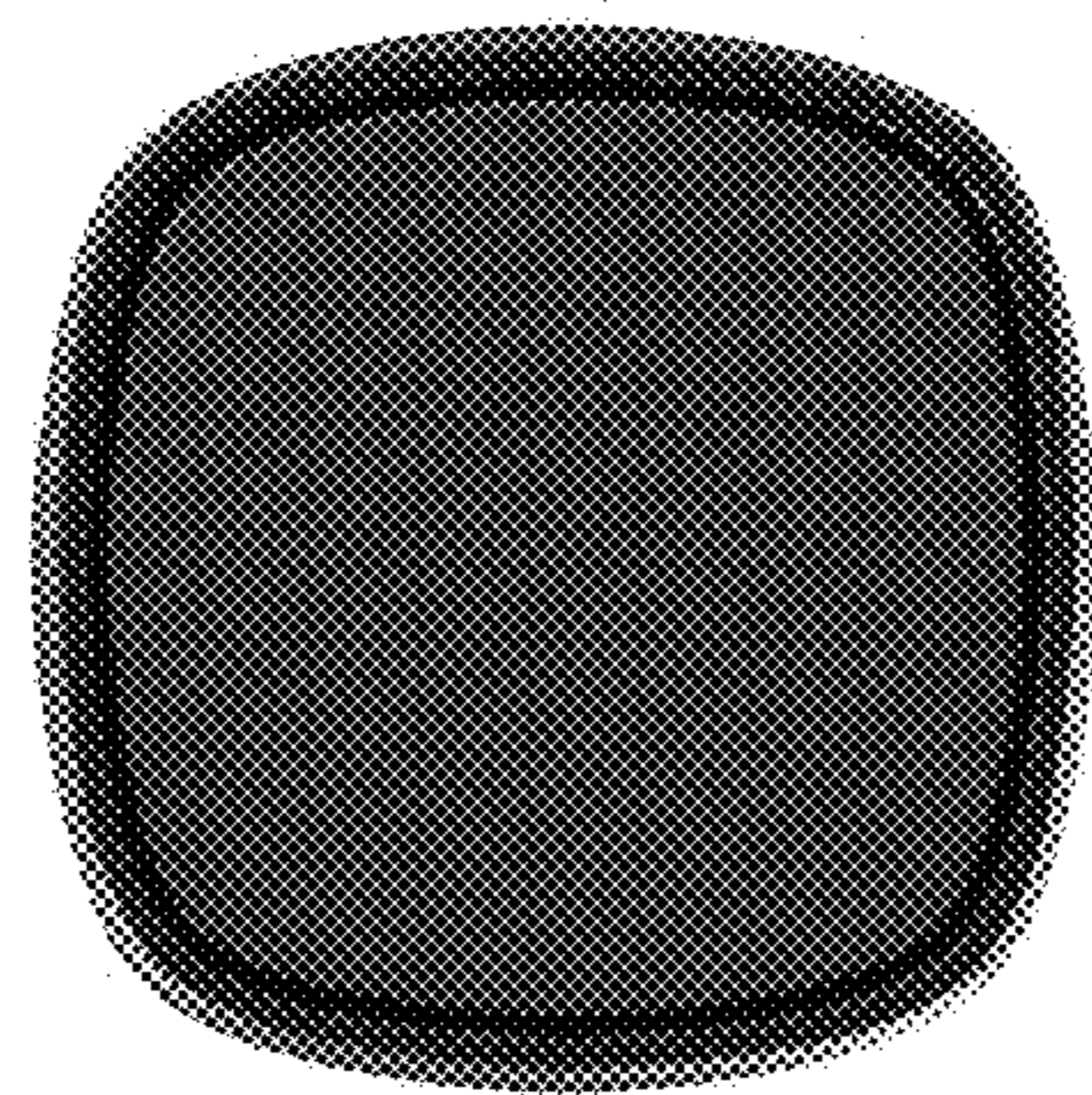


FIG. 7

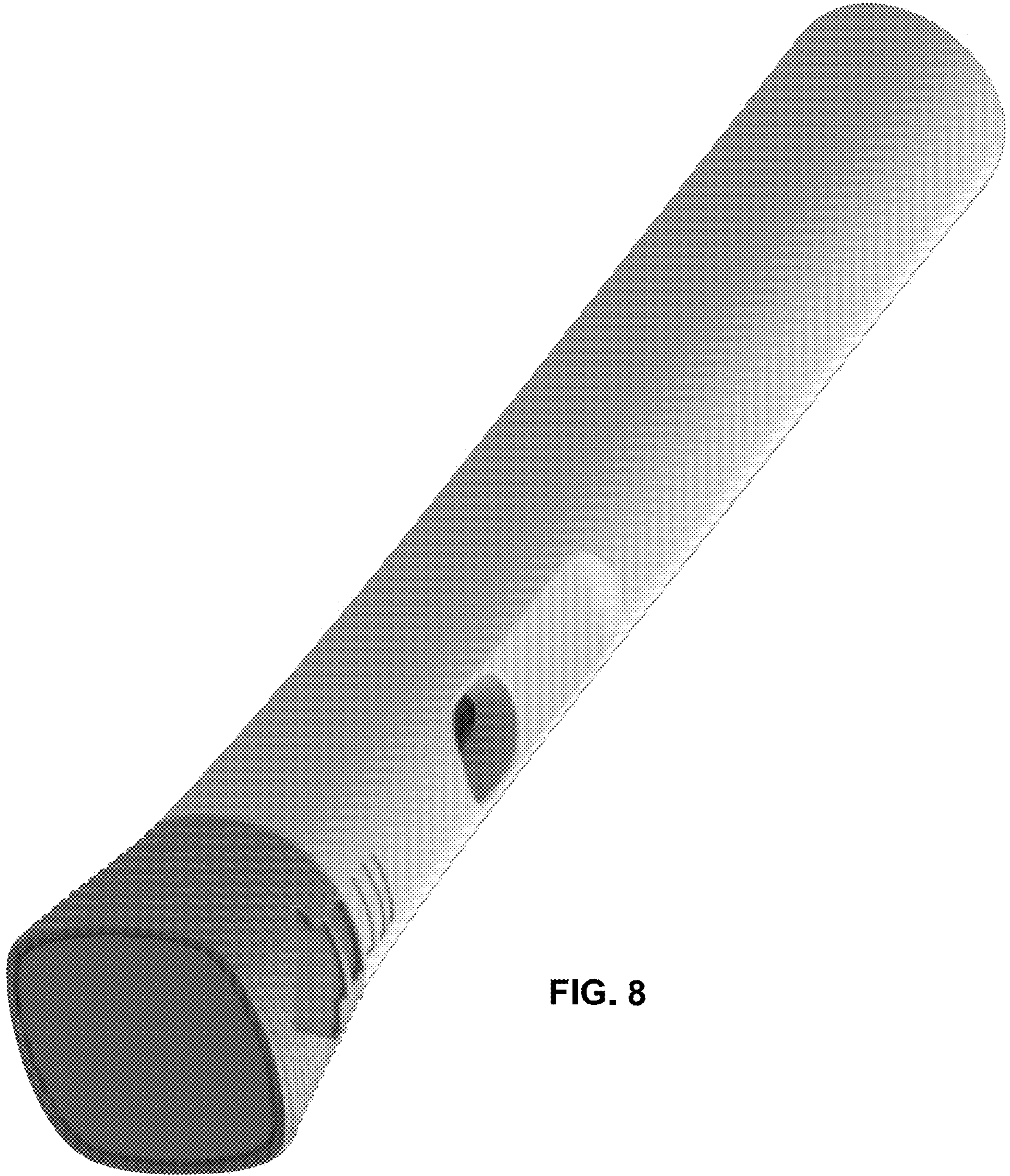


FIG. 8

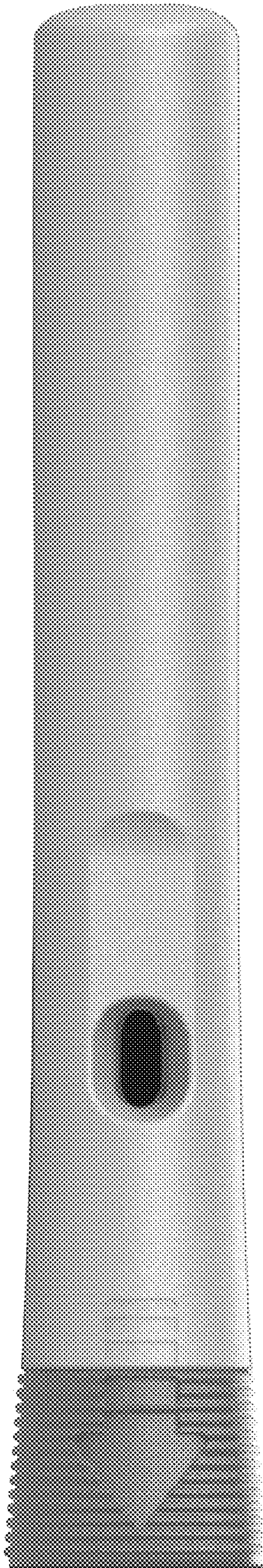


FIG. 9

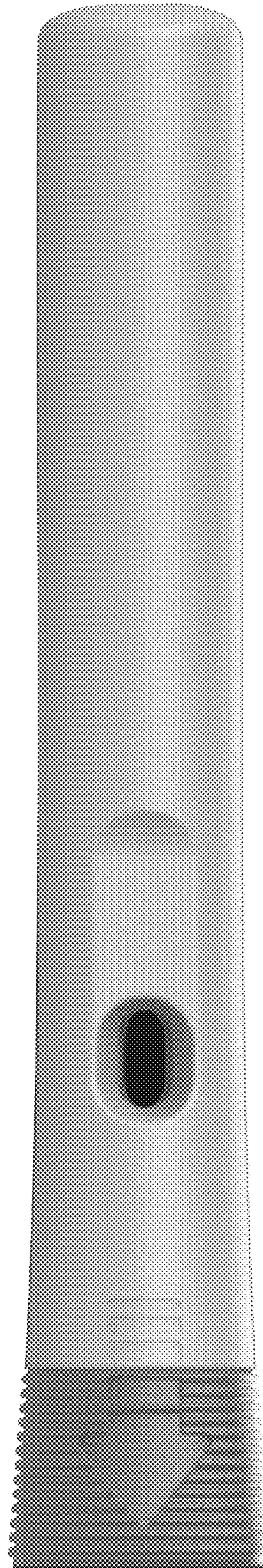


FIG. 10



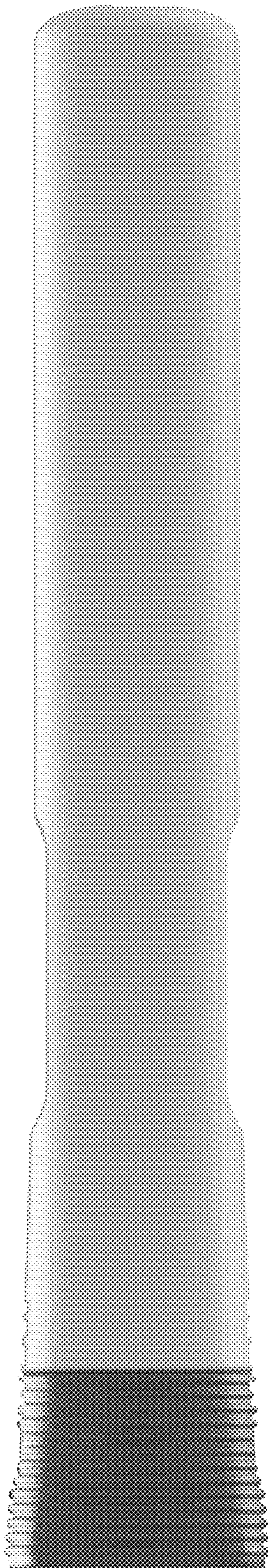


FIG. 11

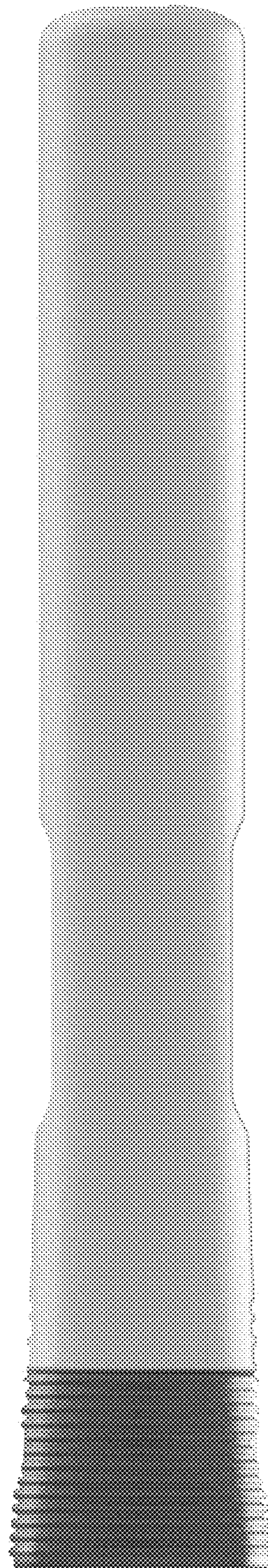


FIG. 12

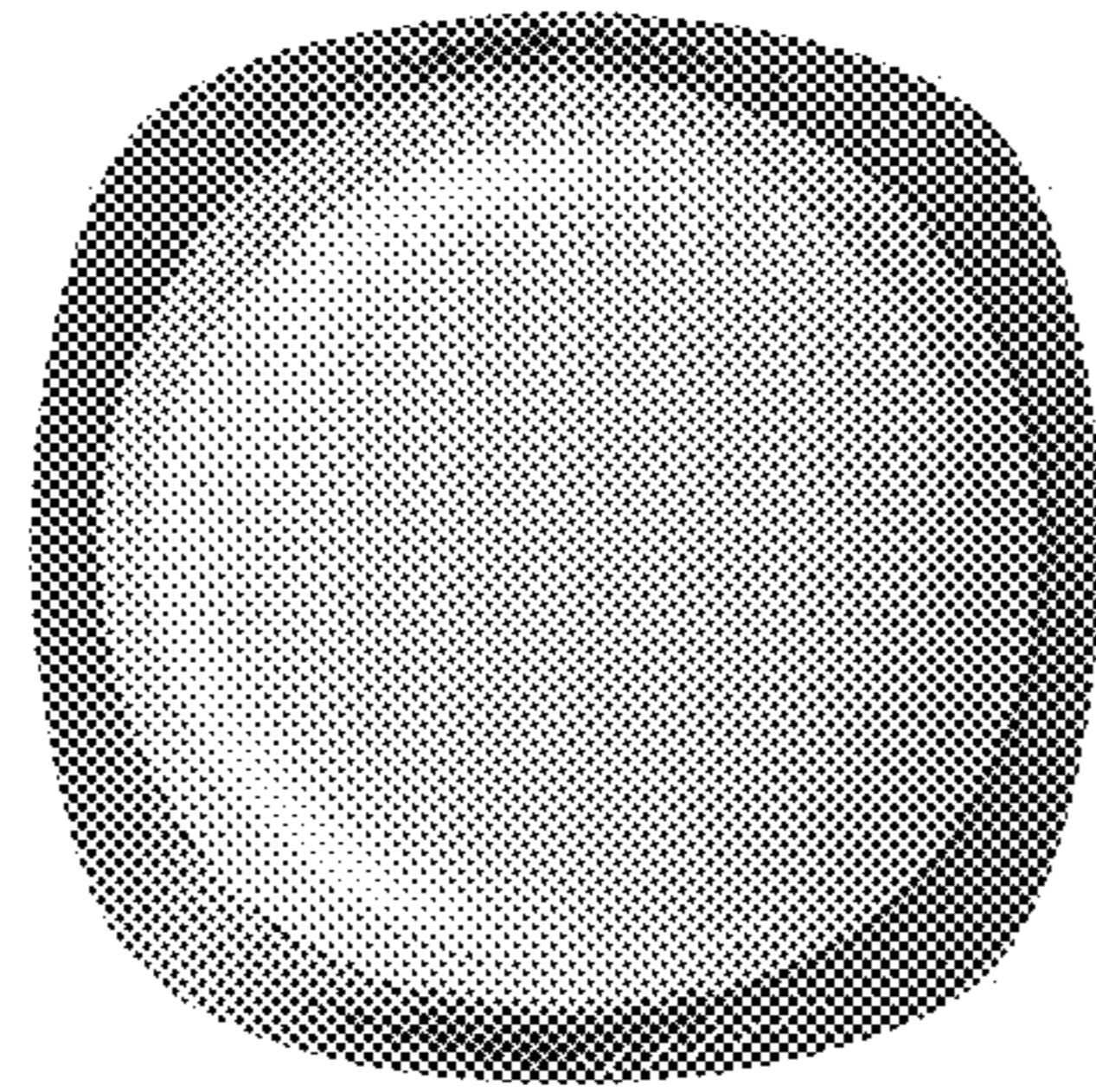


FIG. 13

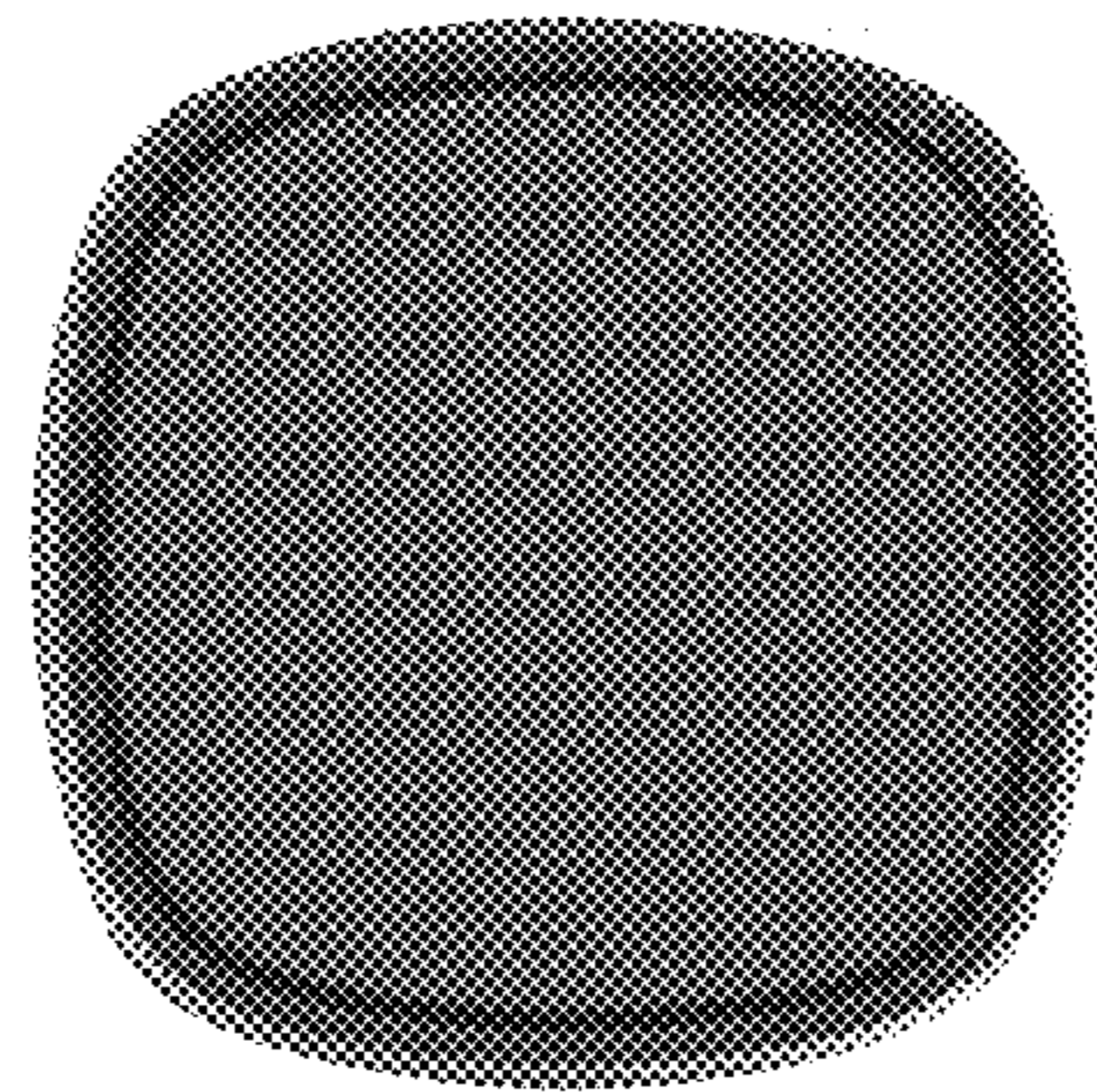


FIG. 14