



US00D908866S

(12) **United States Design Patent** (10) **Patent No.:** **US D908,866 S**
Fuentes-Ortega et al. (45) **Date of Patent:** **** Jan. 26, 2021**

(54) **HANDLE SHELL**

(56) **References Cited**

(71) Applicant: **BIOSENSE WEBSTER (ISRAEL) LTD.**, Yokneam (IL)
(72) Inventors: **Cesar Fuentes-Ortega**, Pasadena, CA (US); **Mario A. Solis**, Rancho Cucamonga, CA (US); **Pieter Emmelius Van Niekerk**, Monrovia, CA (US)
(73) Assignee: **BIOSENSE WEBSTER (ISRAEL) LTD.**, Yokneam (IL)
(**) Term: **15 Years**
(21) Appl. No.: **29/745,220**
(22) Filed: **Aug. 4, 2020**

U.S. PATENT DOCUMENTS

D619,707 S *	7/2010	East	A61B 17/4241
				D24/133
D668,757 S *	10/2012	McCrary	D24/108
D704,336 S *	5/2014	Chon	D24/144
D762,851 S *	8/2016	Tegg	D24/130
D776,259 S *	1/2017	Eldredge	D24/112
D779,059 S *	2/2017	Nino	D24/133
D803,396 S *	11/2017	Oberkircher	D24/133
D809,123 S *	1/2018	Ishikawa	D24/108
D816,831 S *	5/2018	Sacchetti	D24/127
D820,436 S *	6/2018	Kheradpir	D24/112
D823,459 S *	7/2018	Bendek	D24/113
D835,777 S *	12/2018	Seaver	D24/112
D846,117 S *	4/2019	Lesch	D24/133

* cited by examiner

Primary Examiner — David G Muller
(74) *Attorney, Agent, or Firm* — Etan S. Chatlynne;
Roberts Calderon Safran & Cole P.C.

Related U.S. Application Data

(62) Division of application No. 29/648,242, filed on May 18, 2018, now Pat. No. Des. 893,018.
(51) **LOC (13) Cl.** **24-02**
(52) **U.S. Cl.**
USPC **D24/112**
(58) **Field of Classification Search**
USPC D24/112–114, 108, 130, 127, 133, 186;
606/181, 185; 604/264, 523–528, 272,
604/164.01–164.11, 187, 93.01; 600/101,
600/139, 143; 128/200.24, 207.14,
128/207.15
CPC .. A61M 25/065; A61M 5/42; A61M 25/0612;
A61M 25/00; A61M 39/00; A61M 27/00;
A61M 25/0043; A61M 25/0067; A61M
25/0097; A61F 2/958
See application file for complete search history.

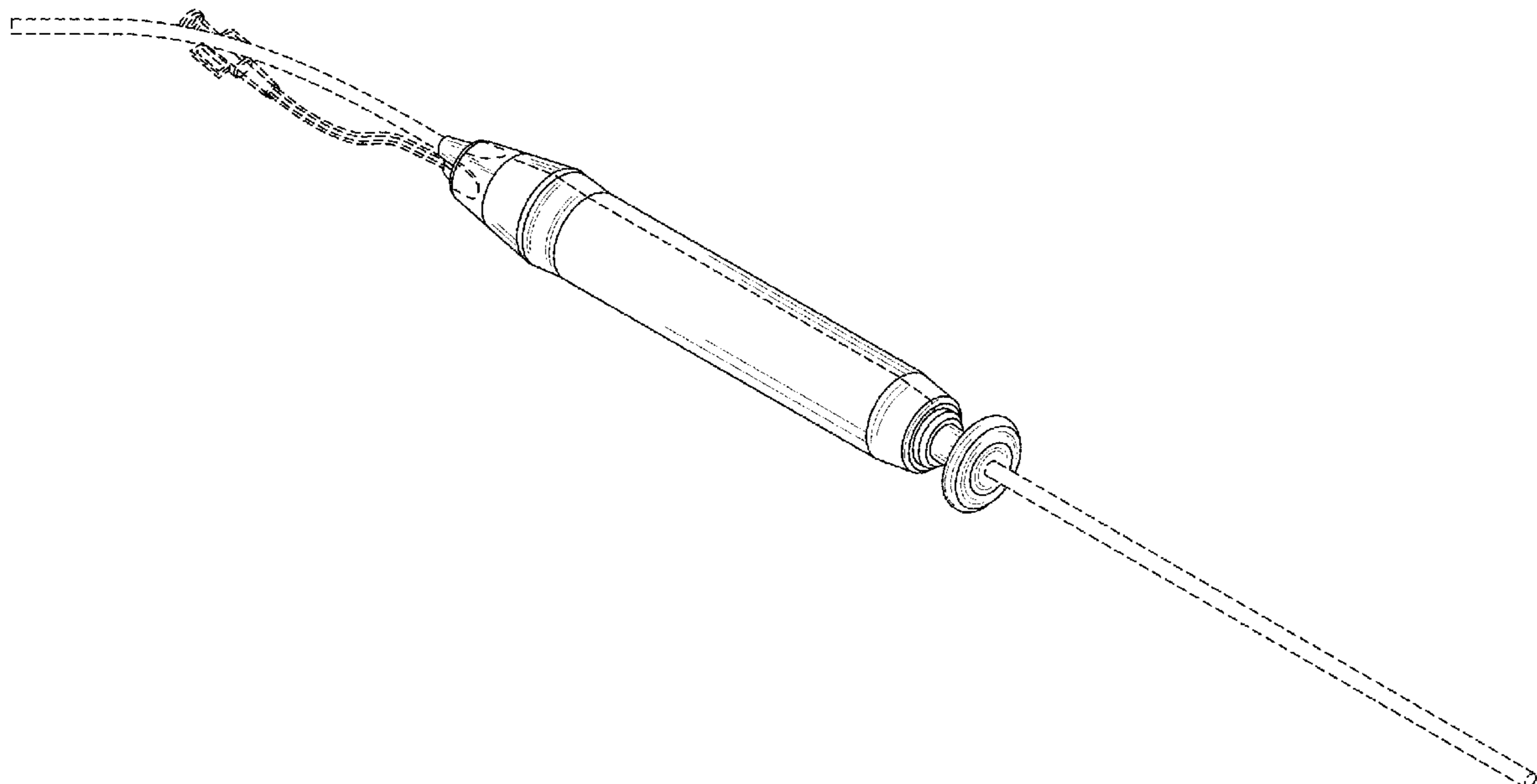
(57) **CLAIM**

We claim the ornamental design for a handle shell, as shown.

DESCRIPTION

FIG. 1 is a top perspective view of a design of the handle shell;
FIG. 2 is a bottom perspective view of the handle shell of FIG. 1;
FIG. 3 is a top view of the handle shell of FIG. 1;
FIG. 4 is a bottom view of the handle shell of FIG. 1;
FIG. 5 is a front view of the handle shell of FIG. 1;
FIG. 6 is a rear view of the handle shell of FIG. 1;
FIG. 7 is a right-side view of the handle shell of FIG. 1; and,
FIG. 8 is a left-side view of the handle shell of FIG. 1.
The features shown in broken lines depict environmental subject matter only and form no part of the claimed design.

1 Claim, 6 Drawing Sheets



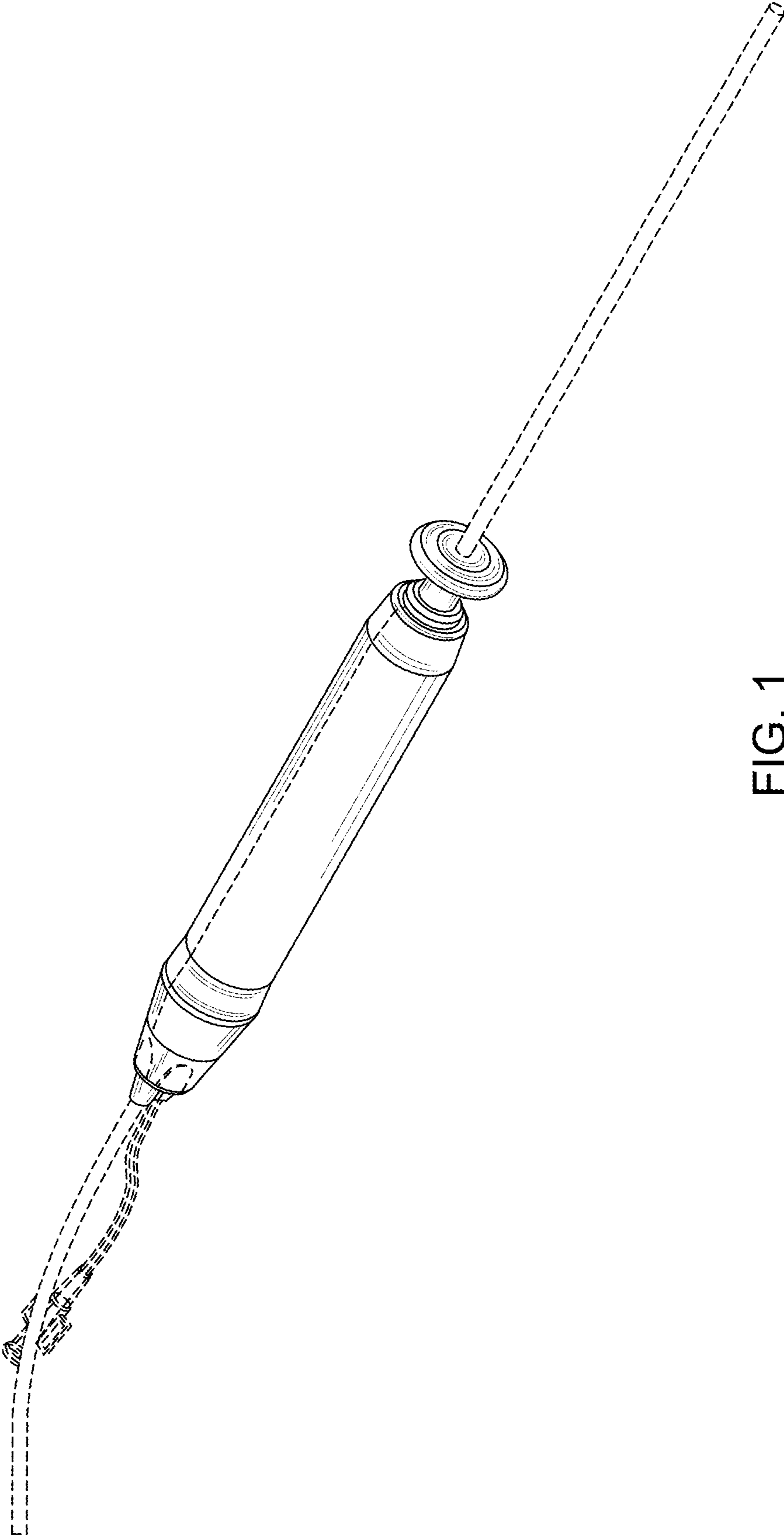


FIG. 1

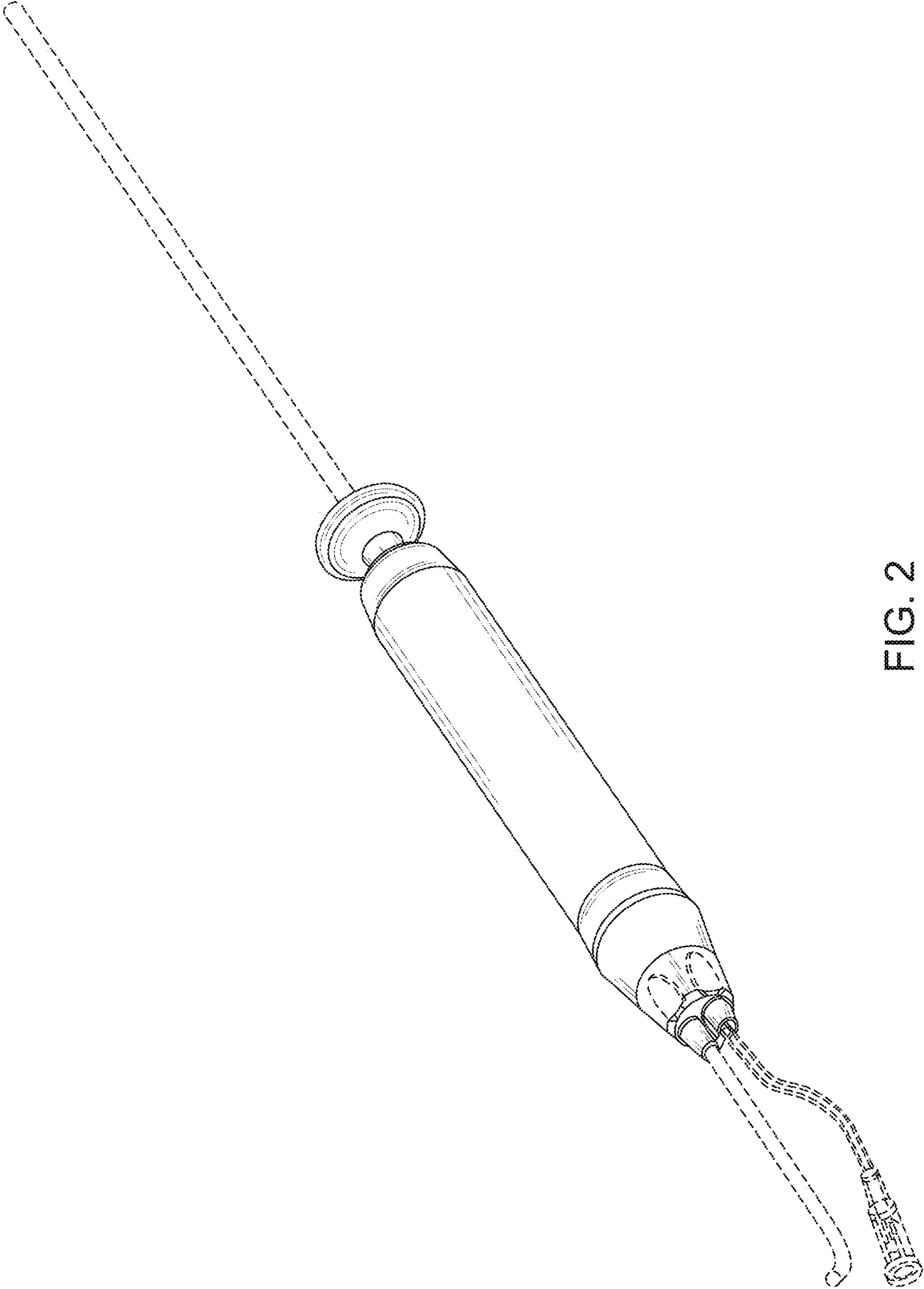


FIG. 2

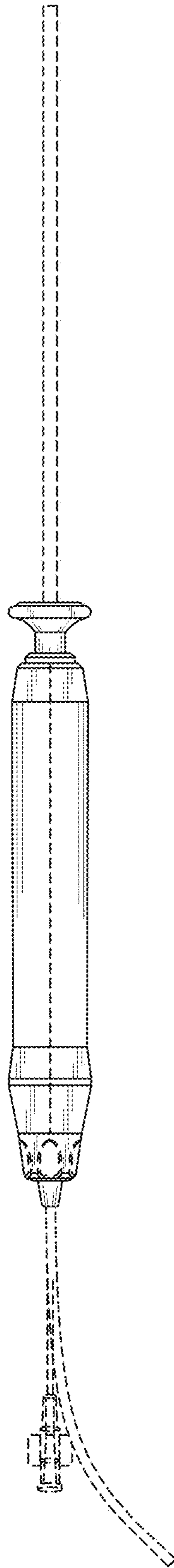


FIG. 3

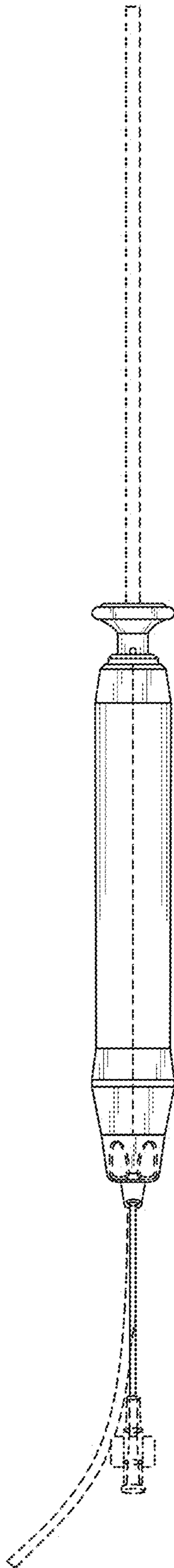


FIG. 4

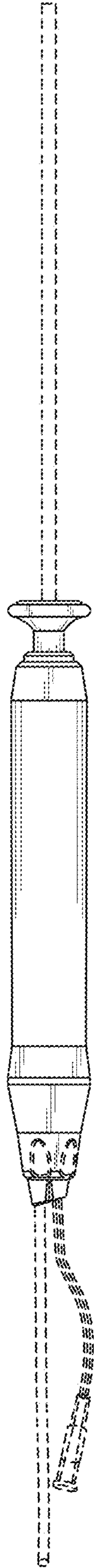


FIG. 5

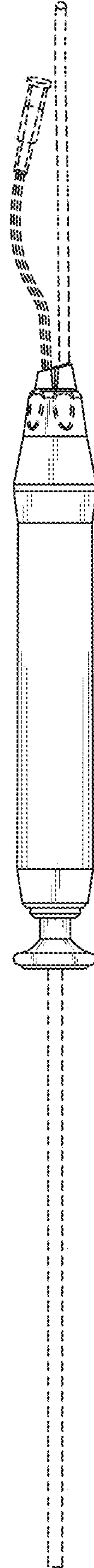


FIG. 6

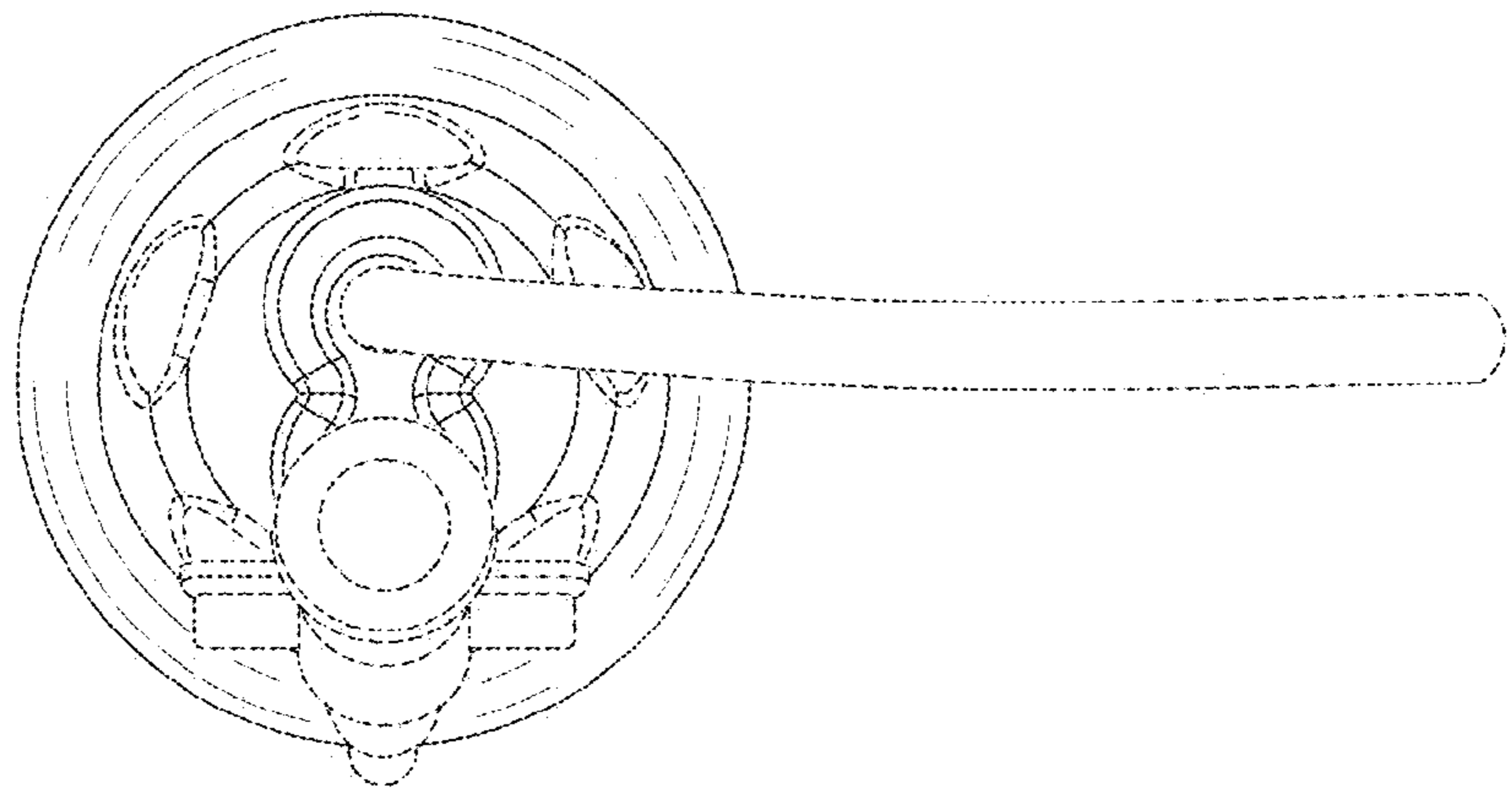


FIG. 7

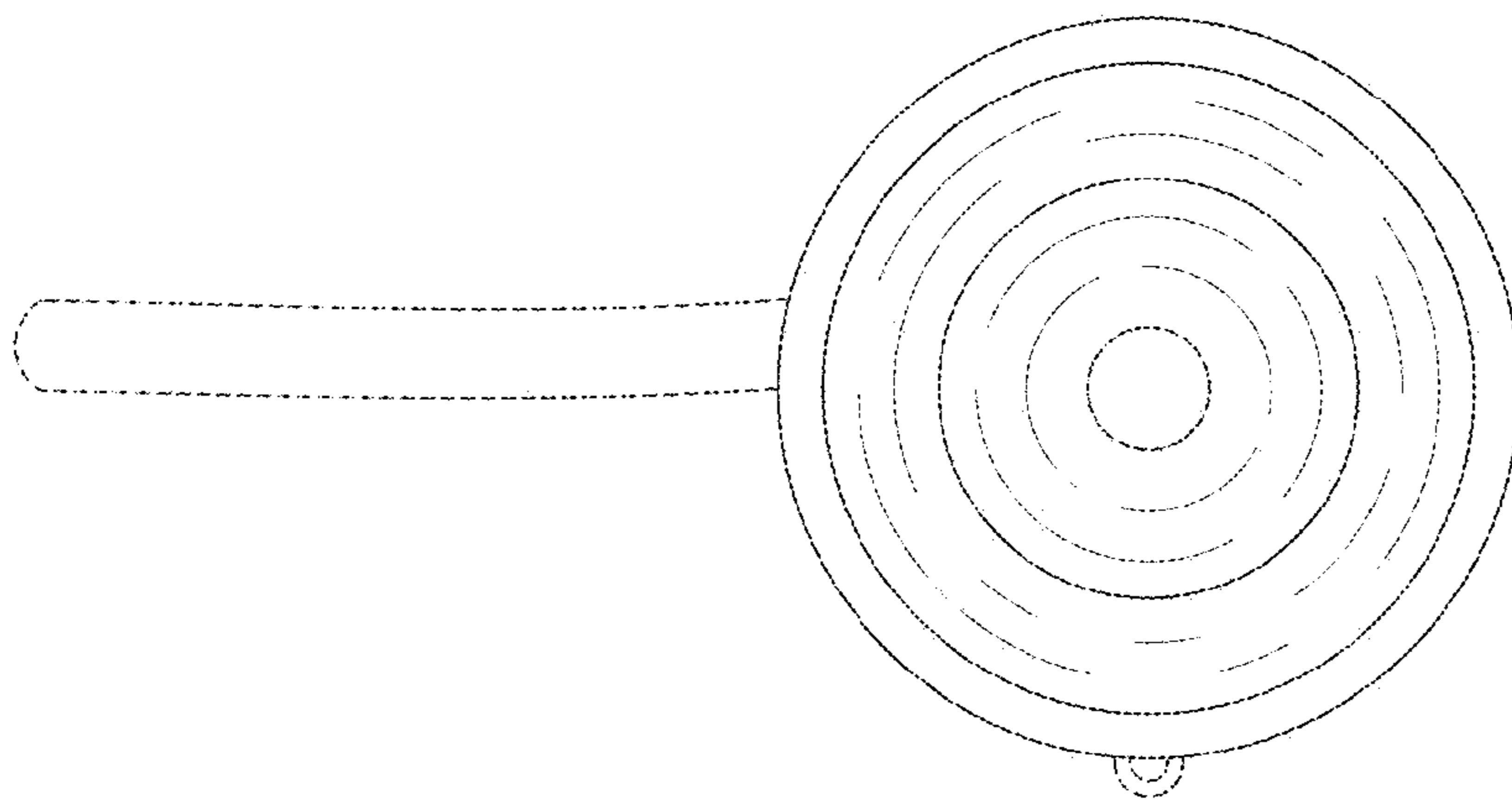


FIG. 8