



US00D908865S

(12) **United States Design Patent**  
**Greenberg et al.**

(10) **Patent No.:** **US D908,865 S**

(45) **Date of Patent:** **\*\* Jan. 26, 2021**

(54) **CATHETER**

4,576,145 A 3/1986 Tsuno  
4,685,449 A 8/1987 Bonnet  
4,779,611 A 10/1988 Grooters

(71) Applicant: **Emmy Medical, LLC**, Holliston, MA  
(US)

(Continued)

(72) Inventors: **James Adam Greenberg**, Weston, MA  
(US); **Neeraj Kohli**, Natick, MA (US);  
**Ronald David Adams**, Holliston, MA  
(US)

FOREIGN PATENT DOCUMENTS

EP 0402467 12/1990  
EP 0609386 9/1996

(Continued)

(73) Assignee: **Emmy Medical, LLC**, Holliston, MA  
(US)

OTHER PUBLICATIONS

(\*\*) Term: **15 Years**

Suru International Pvt. Ltd., Foley Balloon Catheter, <http://www.suru.com/fole.htm>, retrieved by Applicant on Jan. 28, 2014, Publication Date Unknown.

(21) Appl. No.: **29/660,163**

(Continued)

(22) Filed: **Aug. 17, 2018**

*Primary Examiner* — David G Muller

(51) **LOC (13) Cl.** ..... **24-02**

(74) *Attorney, Agent, or Firm* — Knobbe Martens Olson & Bear, LLP

(52) **U.S. Cl.**

USPC ..... **D24/112**

(58) **Field of Classification Search**

USPC ..... D24/112–114, 108, 130, 127, 133, 186;  
606/181, 185; 604/264, 523–528, 272,  
604/164.01–164.11, 187, 93.01; 600/101,  
600/139, 143; 128/200.24, 207.14,  
128/207.15

CPC .. A61M 25/065; A61M 5/42; A61M 25/0612;  
A61M 25/00; A61M 39/00; A61M 27/00;  
A61M 25/0043; A61M 25/0067; A61M  
25/0097; A61F 2/958

See application file for complete search history.

(57) **CLAIM**

The ornamental design for a catheter, as shown and described herein.

**DESCRIPTION**

FIG. 1 is a perspective view of a catheter embodying the new design.

FIG. 2 is a front view thereof.

FIG. 3 is a rear view thereof.

FIG. 4 is a first side view thereof.

FIG. 5 is a second side view thereof.

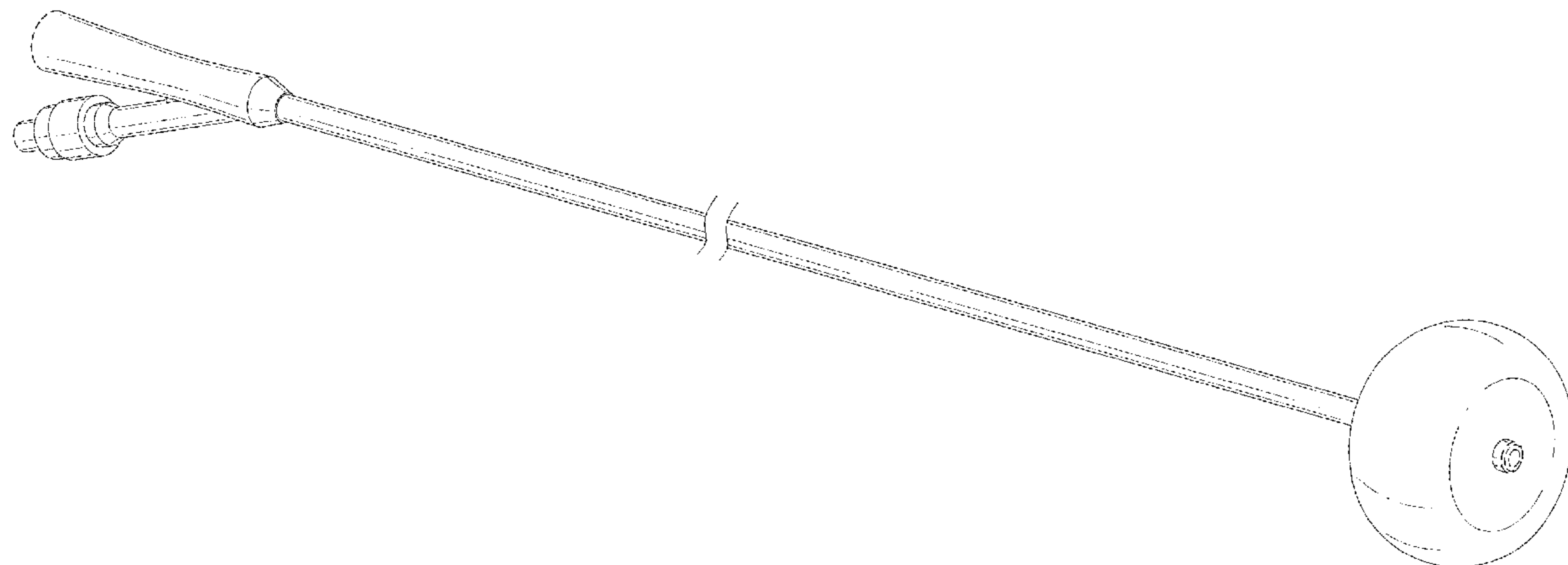
FIG. 6 is a top view thereof; and,

FIG. 7 is a bottom view thereof.

The catheter is shown with a symbolic break in its length, represented by break lines. The appearance of any portion of the article between the break lines forms no part of the claimed subject matter.

All features in broken lines are for the purpose of illustrating environmental structure and form no part of the claimed subject matter.

**1 Claim, 6 Drawing Sheets**



(56)

References Cited

U.S. PATENT DOCUMENTS

4,861,334 A 8/1989 Nawaz  
 5,041,093 A 8/1991 Chu  
 5,152,277 A 10/1992 Honda  
 5,188,596 A 2/1993 Condon  
 5,209,725 A 5/1993 Roth  
 5,234,417 A 8/1993 Parks  
 5,246,421 A 9/1993 Saab  
 5,250,029 A 10/1993 Lin  
 5,287,845 A 2/1994 Faul  
 5,300,022 A 4/1994 Klapper  
 5,308,325 A 5/1994 Quinn  
 5,320,091 A 6/1994 Grossi  
 5,437,673 A 8/1995 Baust  
 5,456,673 A 10/1995 Ziegler  
 5,566,680 A 10/1996 Urion  
 5,807,314 A 9/1998 Ross  
 5,810,790 A 9/1998 Ebling  
 5,860,960 A 1/1999 Quinn  
 5,868,708 A 2/1999 Hart  
 5,924,424 A \* 7/1999 Stevens ..... A61B 17/00234  
 128/898  
 6,015,400 A 1/2000 Ross  
 6,183,465 B1 2/2001 Meier  
 6,254,570 B1 7/2001 Rutner  
 6,422,997 B1 7/2002 Green  
 6,569,150 B2 5/2003 Teague  
 6,689,148 B2 2/2004 Sawhney  
 D490,894 S \* 6/2004 Bogazzi ..... D24/133  
 D490,895 S \* 6/2004 Bogazzi ..... D24/133  
 D490,896 S \* 6/2004 Bogazzi ..... D24/133  
 6,871,740 B1 3/2005 Cao  
 7,063,679 B2 6/2006 Maguire  
 D599,015 S \* 8/2009 Petersen ..... D24/133  
 7,922,650 B2 4/2011 McWeeney  
 8,083,670 B2 12/2011 Ikeda  
 8,114,113 B2 2/2012 Becker  
 8,177,741 B2 5/2012 Hammack  
 8,181,284 B1 5/2012 Parker  
 8,206,347 B2 6/2012 Burnside

D728,093 S \* 4/2015 Moomjian ..... D24/108  
 9,149,176 B2 10/2015 Greenberg  
 D750,260 S \* 2/2016 Sauer ..... D24/186  
 D753,289 S \* 4/2016 Shimon ..... D24/112  
 D759,235 S \* 6/2016 Rizvi ..... D24/127  
 D779,432 S \* 2/2017 Wong ..... D13/133  
 D791,311 S \* 7/2017 Yantz ..... D24/130  
 D837,974 S \* 1/2019 Hannon ..... D24/112  
 D846,116 S \* 4/2019 Naughton ..... D24/130  
 2003/0055470 A1 3/2003 Mon  
 2003/0163113 A1 8/2003 Coombs  
 2004/0073159 A1 4/2004 Nelson  
 2006/0004323 A1 1/2006 Chang  
 2006/0252993 A1 11/2006 Freed  
 2006/0276746 A1 12/2006 Burnside  
 2006/0293560 A1 12/2006 Nguyen  
 2007/0282168 A1 12/2007 Kaye  
 2008/0312490 A1 12/2008 Cropper  
 2009/0005741 A1 1/2009 Martin  
 2009/0024089 A1 1/2009 Levine  
 2009/0062872 A1 3/2009 Chin  
 2009/0318757 A1 12/2009 Singh  
 2011/0238042 A1 9/2011 Davis  
 2012/0302962 A1 11/2012 Becker  
 2013/0012778 A1 1/2013 Bayer  
 2013/0060211 A1 3/2013 Adams, Jr.  
 2016/0051135 A1 2/2016 Greenberg

FOREIGN PATENT DOCUMENTS

EP 2163215 3/2010  
 GB 2510497 2/2015  
 GB 2558930 7/2018  
 JP H-01 135 721 5/1989  
 WO WO 2004/107951 12/2004

OTHER PUBLICATIONS

The Flume Catheter Company, <https://www.flumecatheter.com>; as downloaded on Jul. 30, 2018.

\* cited by examiner

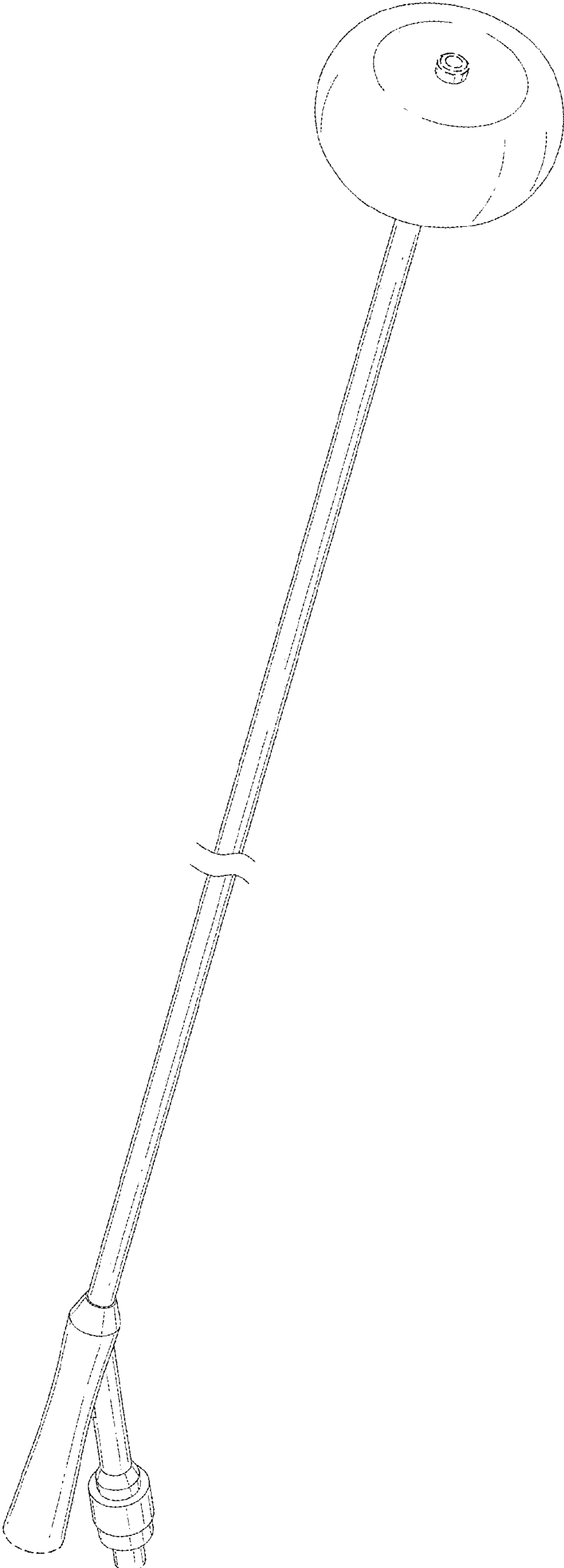
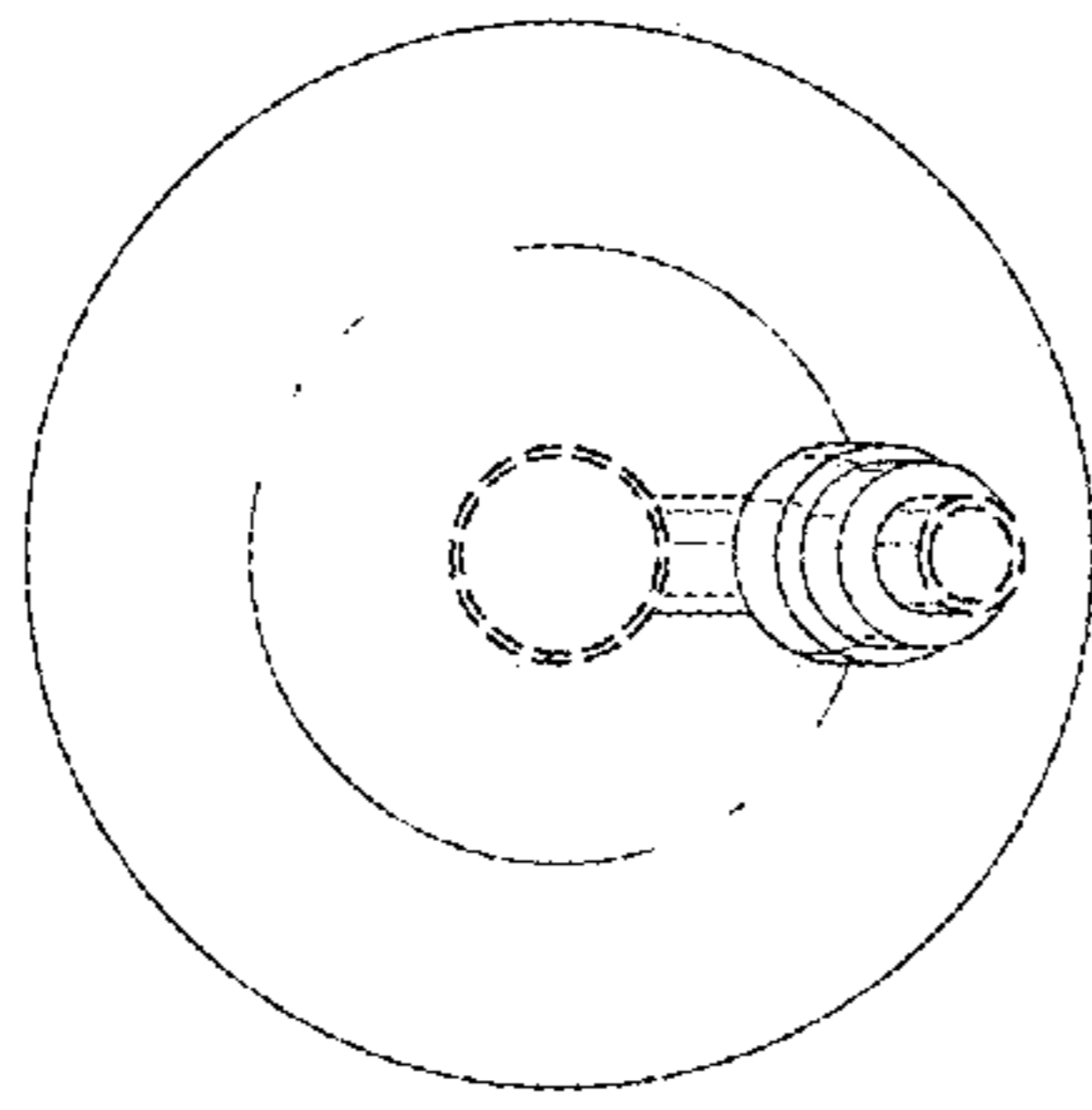
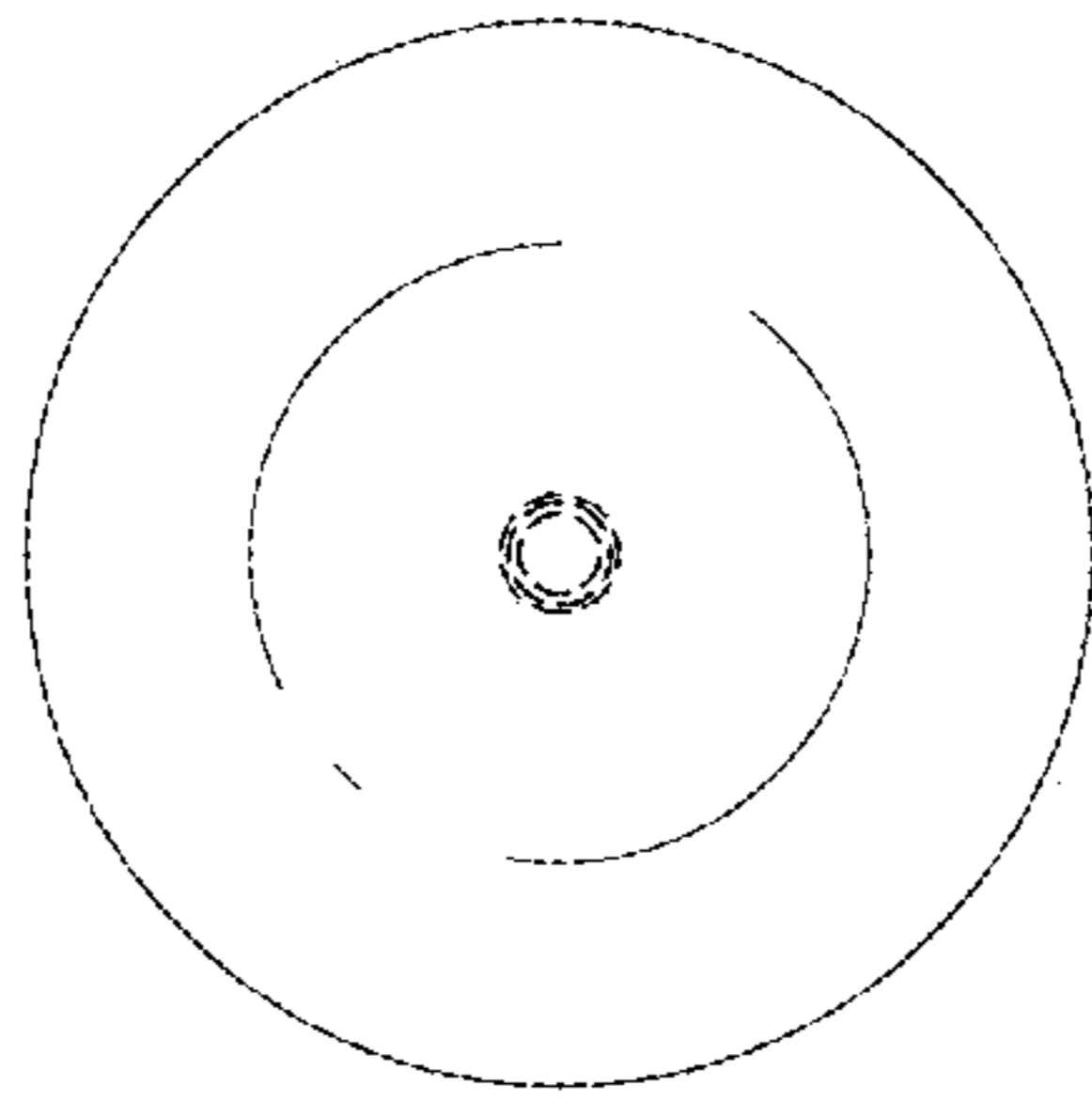


FIG. 1



*FIG. 3*



*FIG. 2*

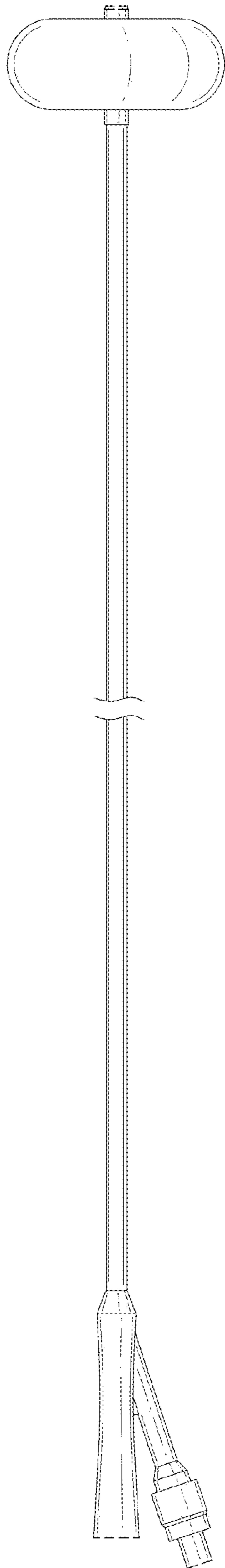


FIG. 4

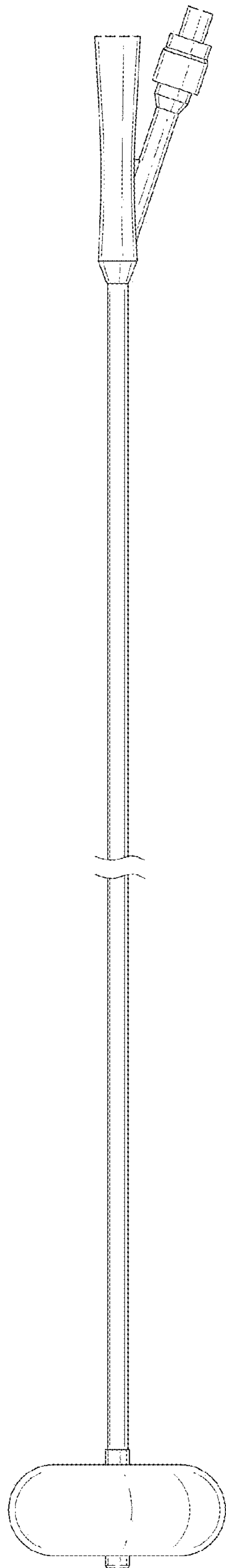


FIG. 5

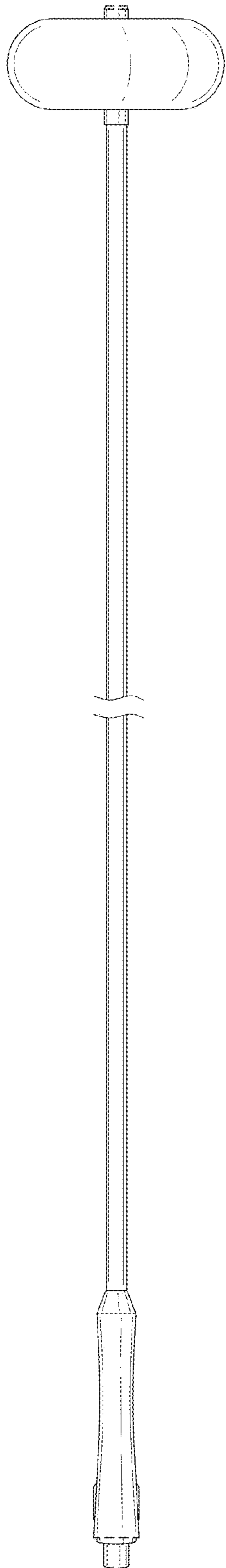


FIG. 6

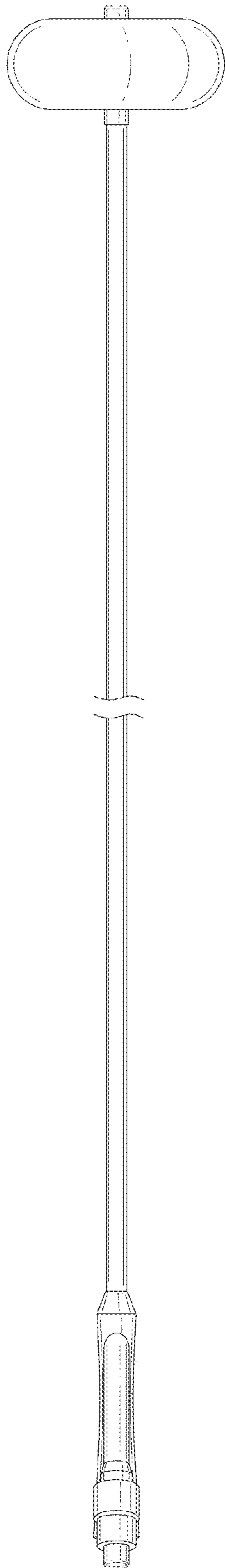


FIG. 7