



US00D908862S

(12) **United States Design Patent**
Torbenson

(10) **Patent No.:** **US D908,862 S**

(45) **Date of Patent:** **** Jan. 26, 2021**

(54) **MASK SHELL**

(71) Applicant: **Steve Gordon Torbenson**, Lakeville, MN (US)

(72) Inventor: **Steve Gordon Torbenson**, Lakeville, MN (US)

(73) Assignee: **RZ INDUSTRIES, LLC**, Burnsville, MN (US)

(**) Term: **15 Years**

(21) Appl. No.: **29/686,959**

(22) Filed: **Apr. 9, 2019**

(51) **LOC (13) Cl.** **29-02**

(52) **U.S. Cl.**
USPC **D24/110.1; D29/108**

(58) **Field of Classification Search**
USPC D29/100, 102, 105, 106, 108, 122;
D24/110.1; D2/865, 866, 867, 891, 892,
D2/878, 880, 881; 2/455, 456, 410, 8.2,
2/424, 425, 9, 171, 173, 206, 207;
128/857, 858, 201.22, 201.24, 201.23,
128/206.21

CPC A42B 5/00; A42B 3/18; A42B 3/20; A42B
1/046; A63B 71/08; A63B 71/10; A63B
71/105; A61F 9/04; A61F 9/06; A61F
9/029; A41D 13/11; A41D 13/1107;
A41D 13/1161; A41D 13/1169; A41D
13/1176; A41G 7/00; A41G 7/02

See application file for complete search history.

(56) **References Cited**

U.S. PATENT DOCUMENTS

D224,282 S * 7/1972 Candela D29/108
D253,976 S * 1/1980 Davidson D29/106
D311,261 S * 10/1990 Avey D29/108
D331,300 S * 11/1992 Fountain D29/108
5,206,955 A * 5/1993 Milligan A42B 3/20
2/424
D537,523 S * 2/2007 Dantanarayana D24/110.1

D590,496 S * 4/2009 Dantanarayana D24/110.1
D690,883 S * 10/2013 Richey D29/108
D740,934 S * 10/2015 Formica D24/110.1
D810,277 S * 2/2018 Amarasinghe D24/110.1
D838,836 S * 1/2019 Liu D24/110.1
D839,484 S * 1/2019 Chase D29/108
D843,693 S * 3/2019 Greenblat D2/865
D844,301 S * 4/2019 Greenblat D2/865
D870,900 S * 12/2019 Vogele D24/191
D873,497 S * 1/2020 Chase D29/108
D882,181 S * 4/2020 Zhu D29/108

* cited by examiner

Primary Examiner — Elizabeth J Oswecki

(74) *Attorney, Agent, or Firm* — Crawford Maunu PLLC

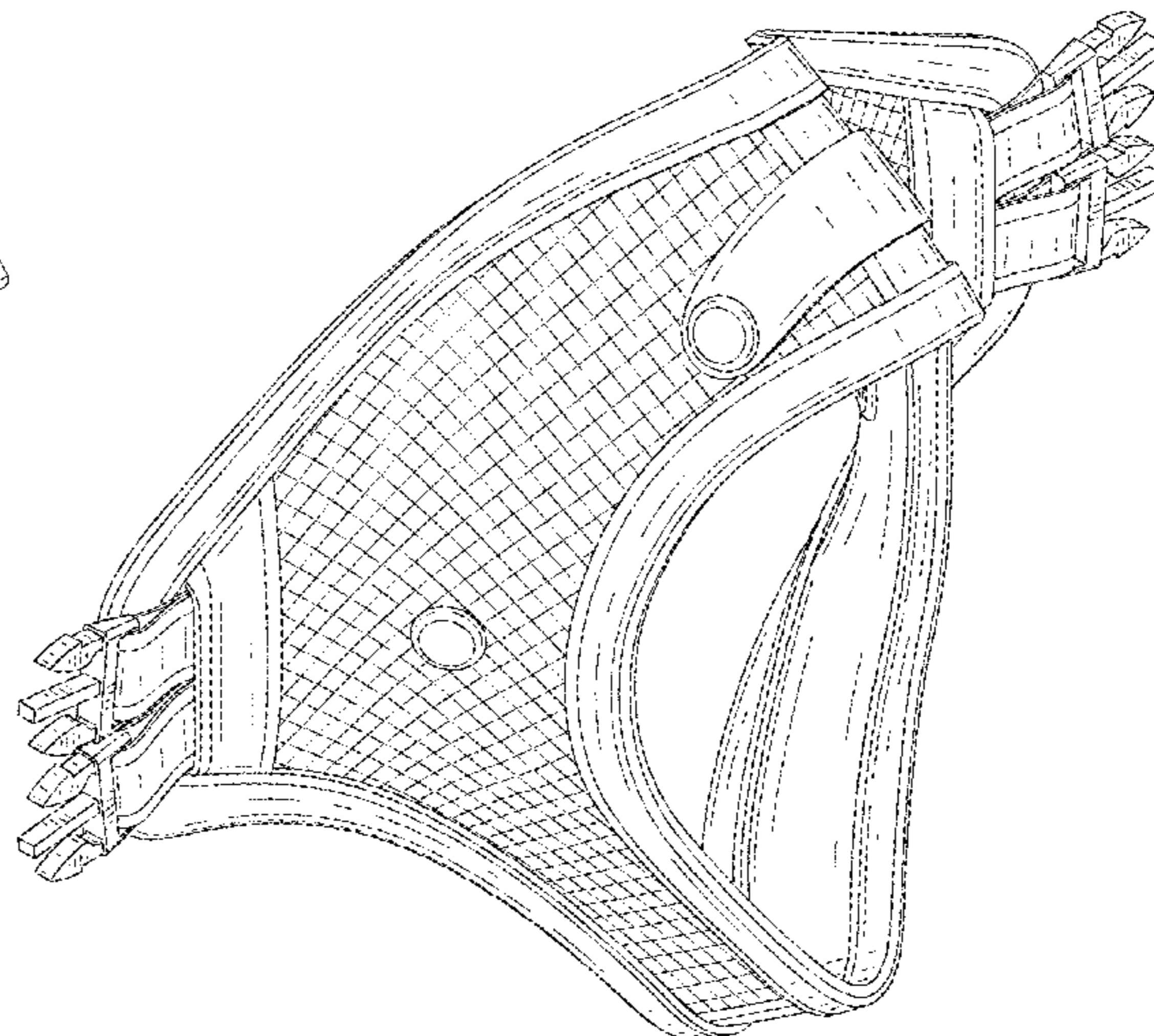
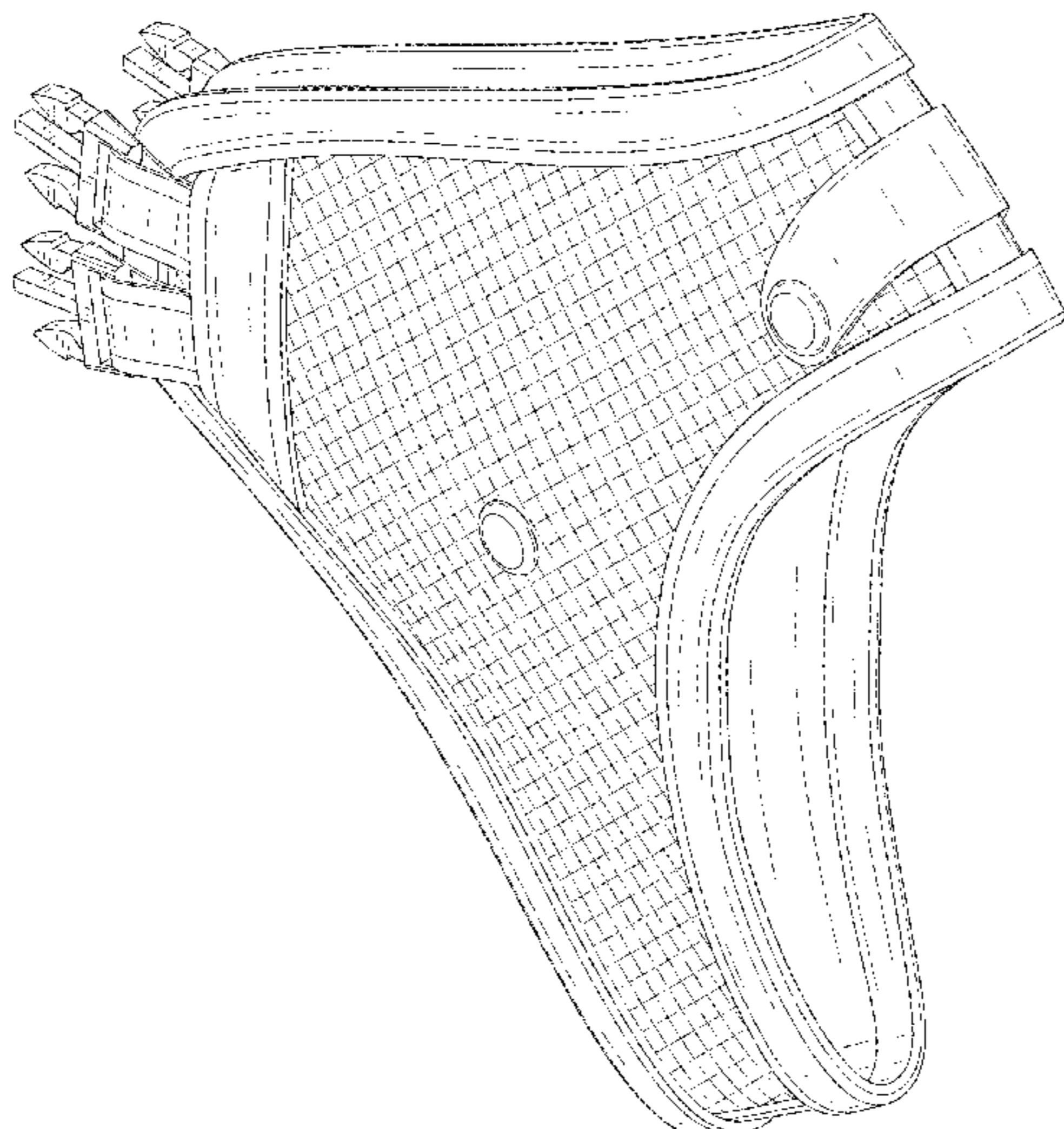
(57) **CLAIM**

The ornamental design for a mask shell, as shown and described.

DESCRIPTION

FIG. 1 is a front, right side perspective view of a mask shell showing my new design, shown in a folded position;
FIG. 2 is a rear, left side perspective view thereof;
FIG. 3 is a top view thereof;
FIG. 4 is a bottom view thereof;
FIG. 5 is a right side view thereof;
FIG. 6 is a left side view thereof;
FIG. 7 is a front view thereof;
FIG. 8 is a rear view thereof;
FIG. 9 is a front, right side perspective view thereof, shown in an extended position;
FIG. 10 is a rear, left side perspective view of FIG. 9;
FIG. 11 is a top view of FIG. 9;
FIG. 12 is a bottom view of FIG. 9;
FIG. 13 is a right side view of FIG. 9;
FIG. 14 is a left side view of FIG. 9;
FIG. 15 is a front view of FIG. 9; and,
FIG. 16 is a rear view of FIG. 9.

1 Claim, 13 Drawing Sheets



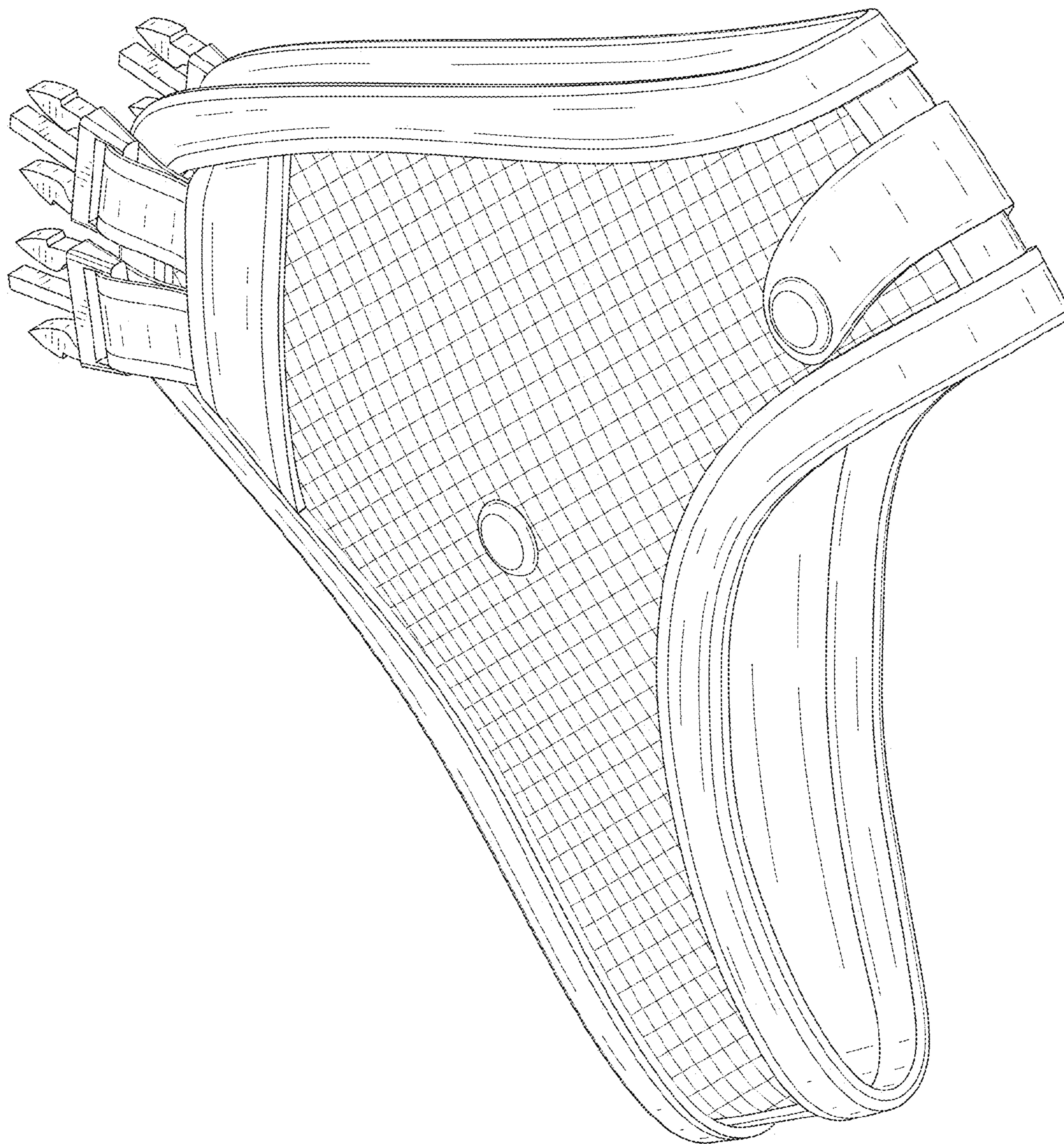


FIG. 1

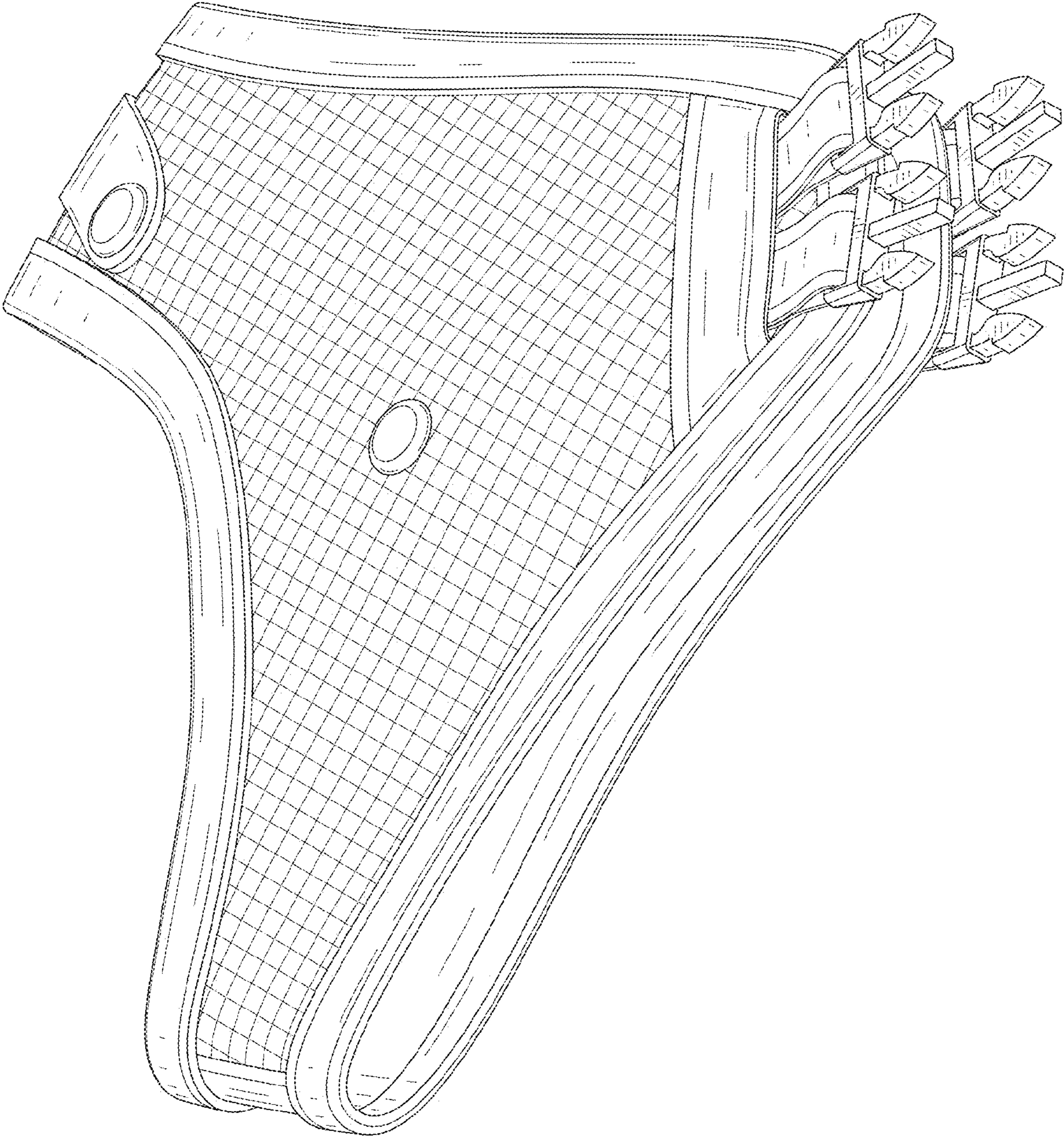


FIG. 2

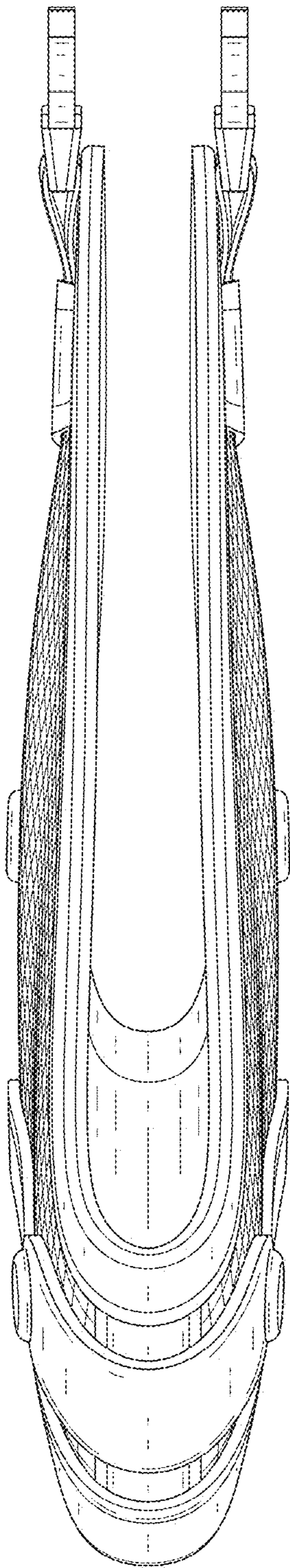


FIG. 3

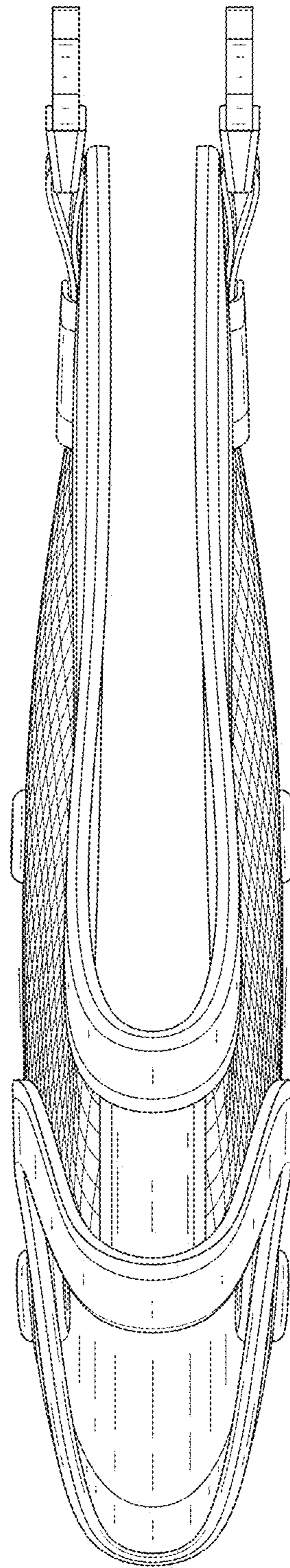


FIG. 4

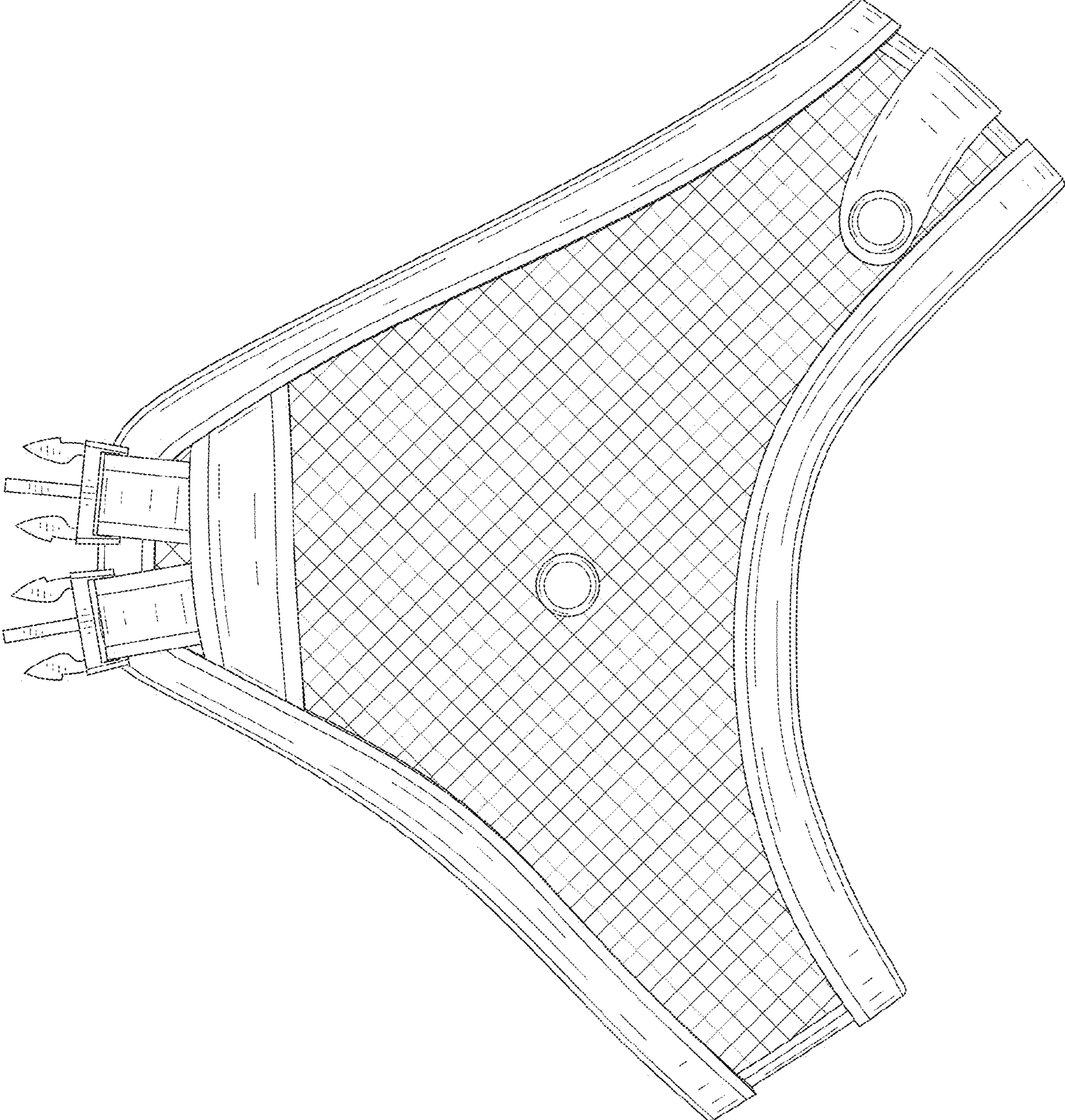


FIG. 5

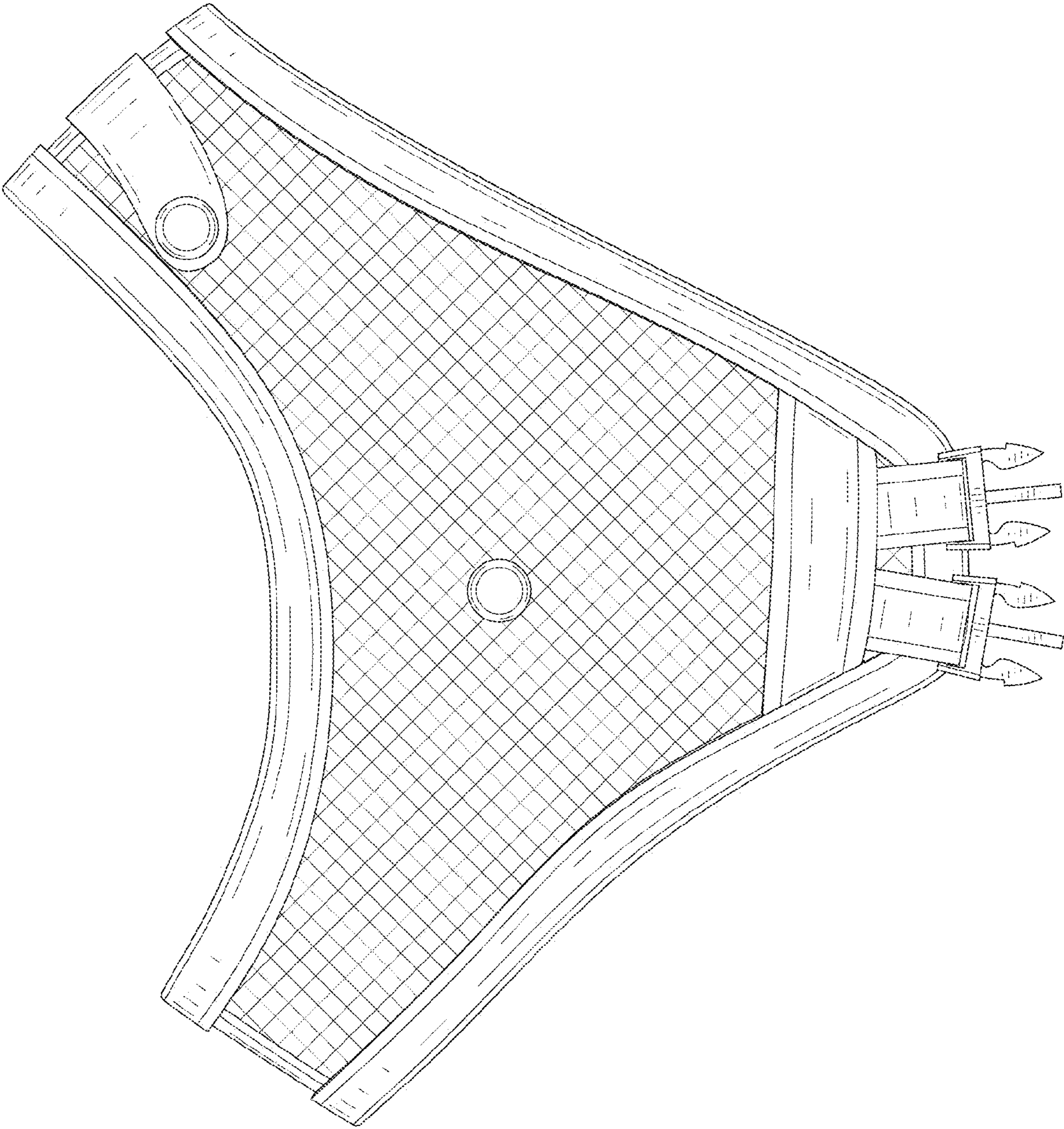


FIG. 6

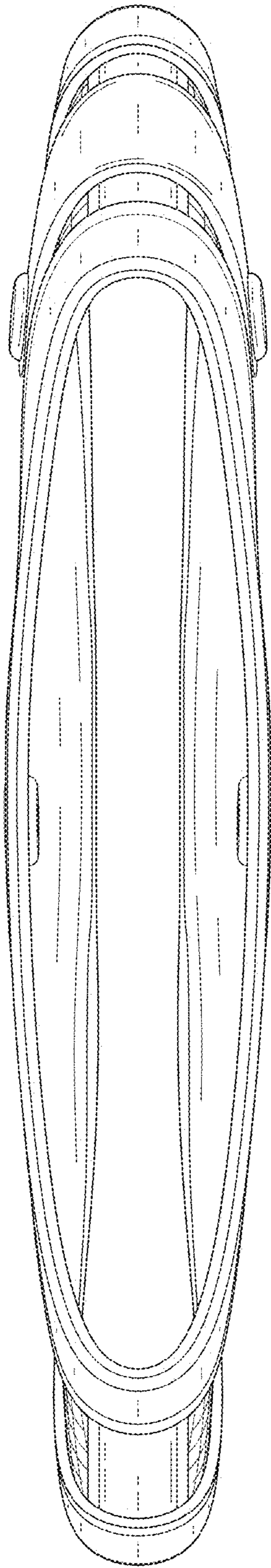


FIG. 7

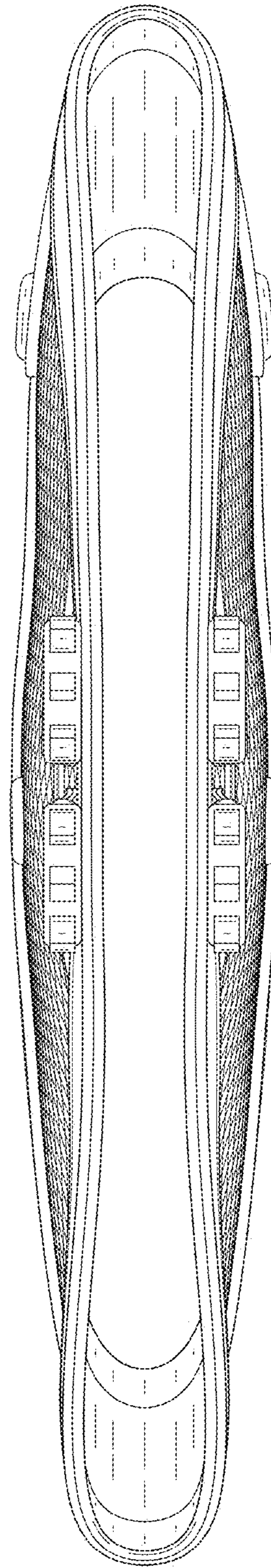


FIG. 8

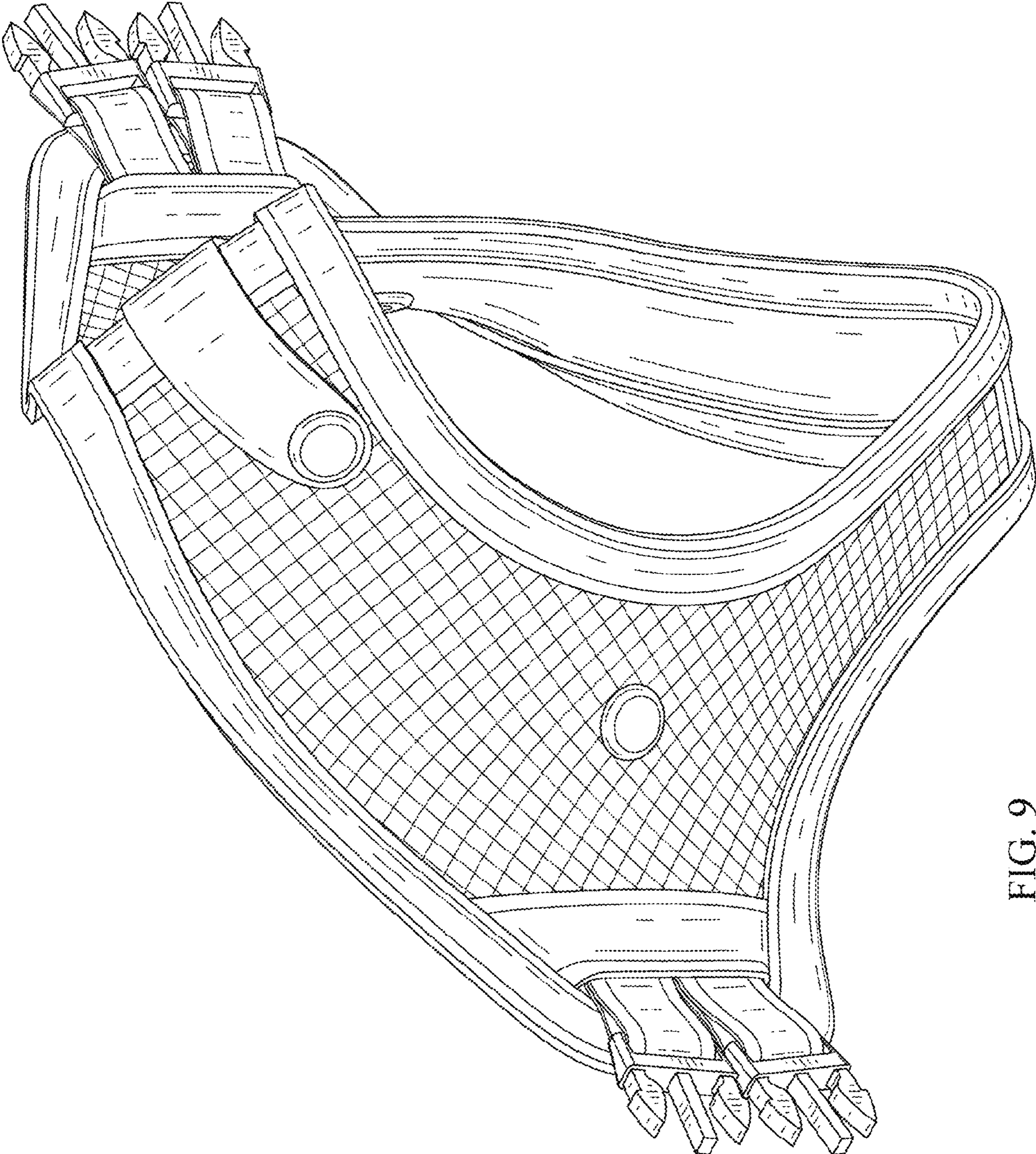


FIG. 9

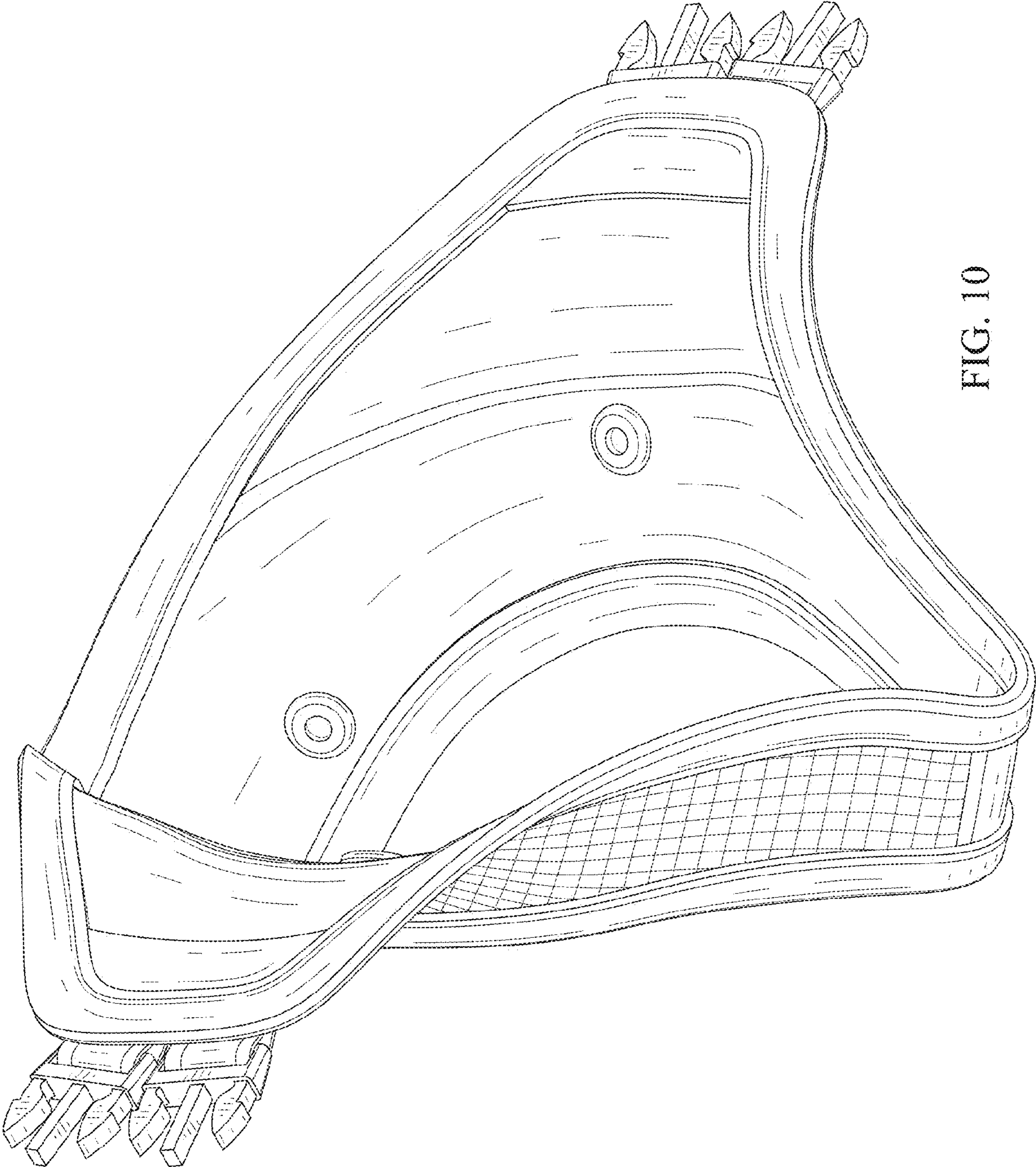


FIG. 10

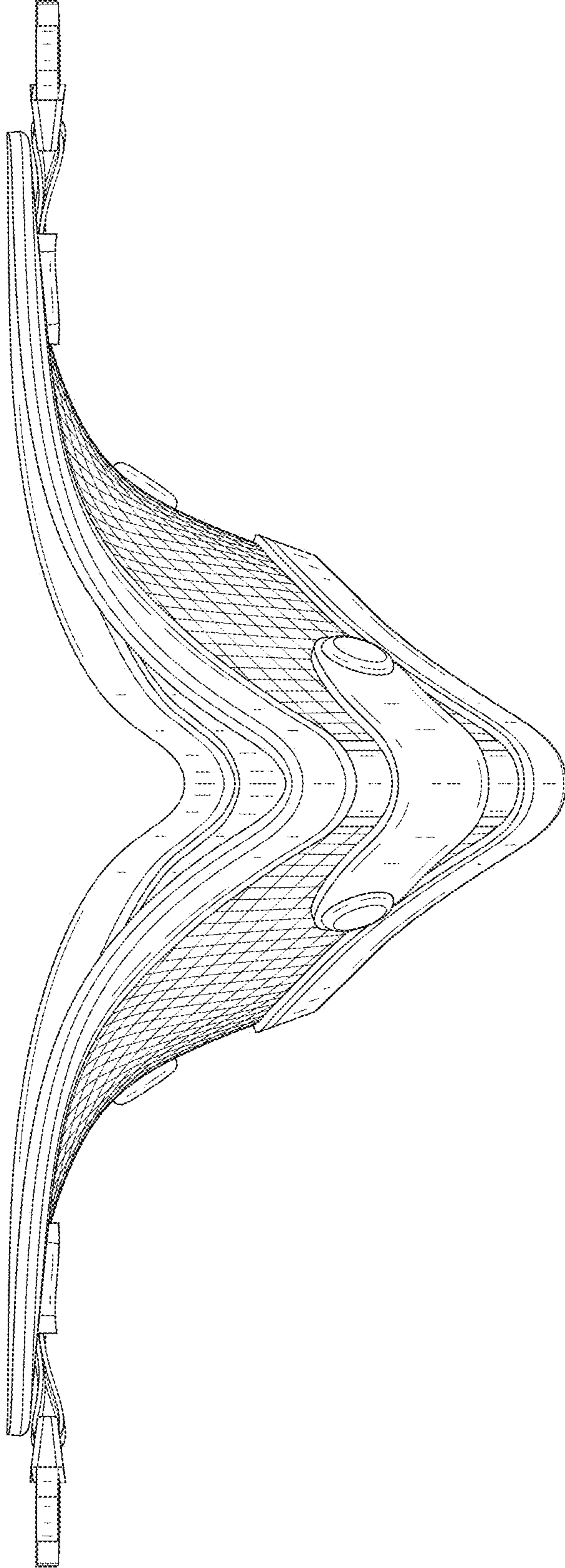


FIG. 11

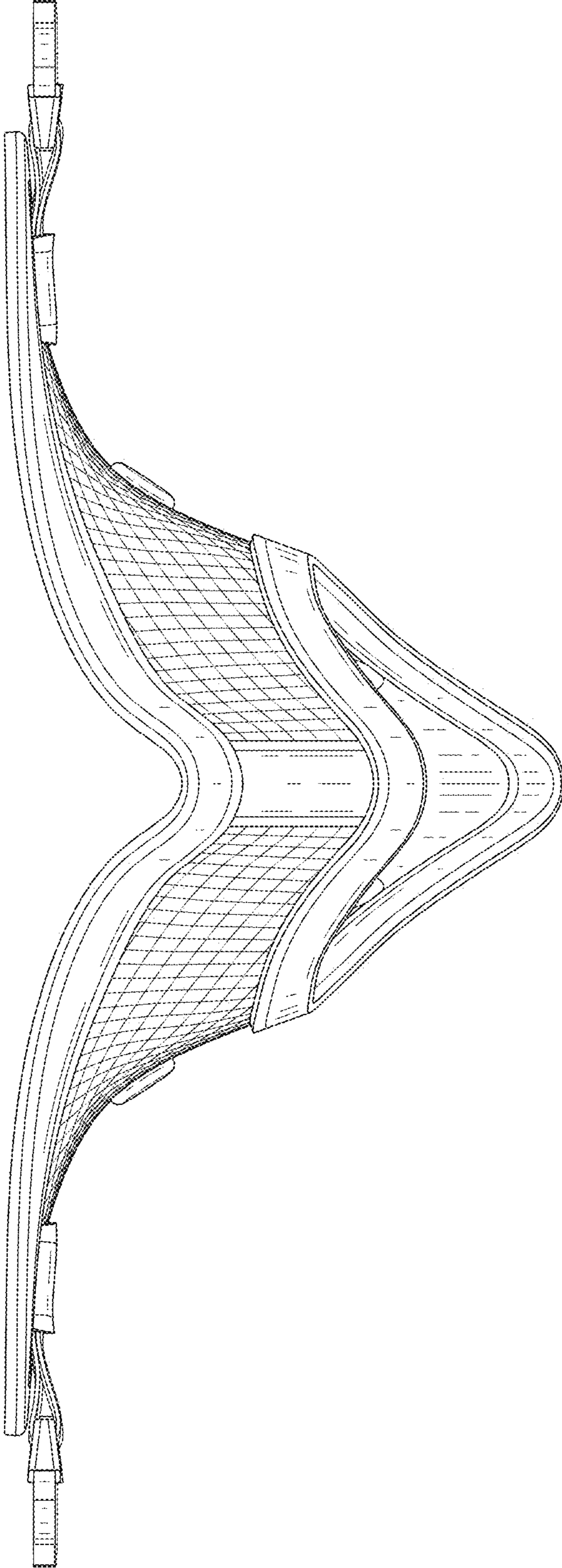


FIG. 12

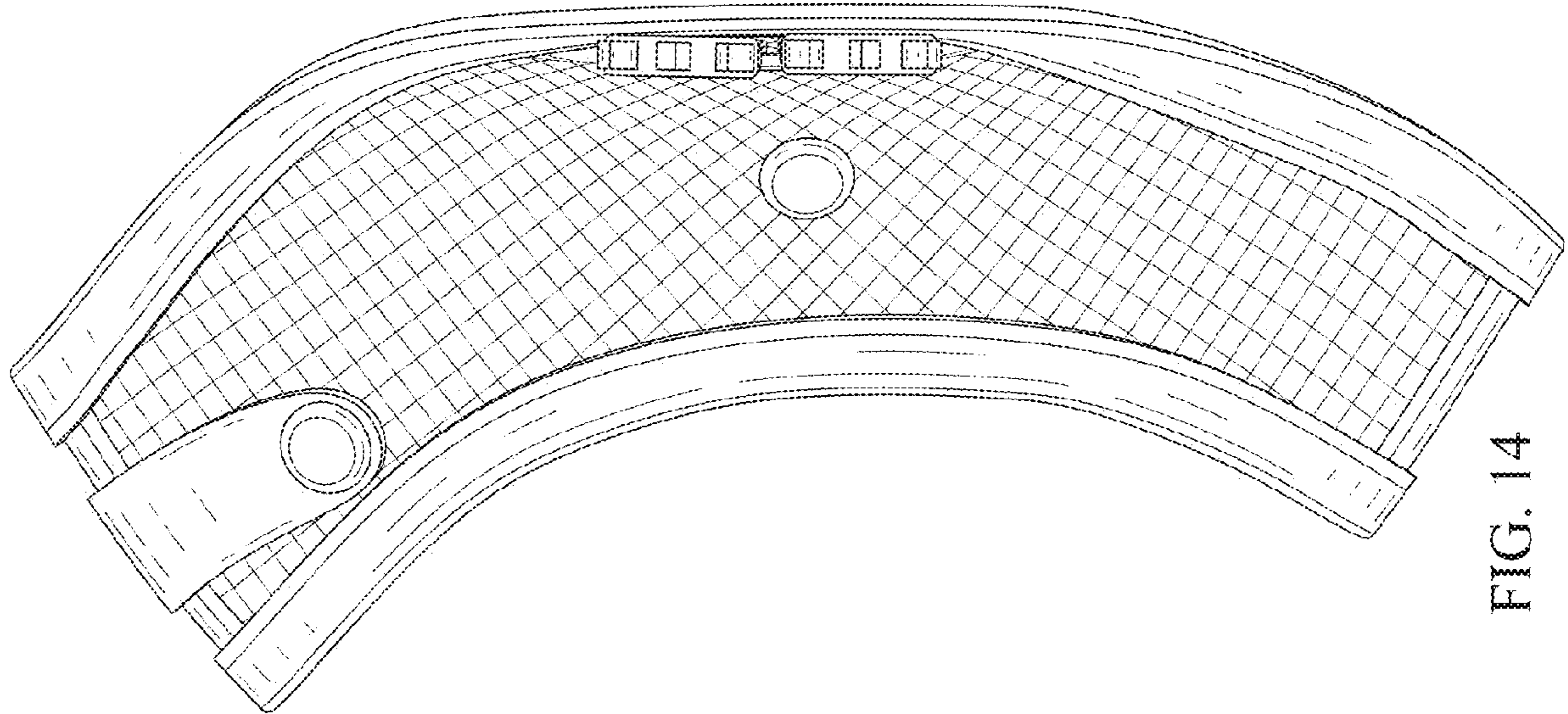


FIG. 14

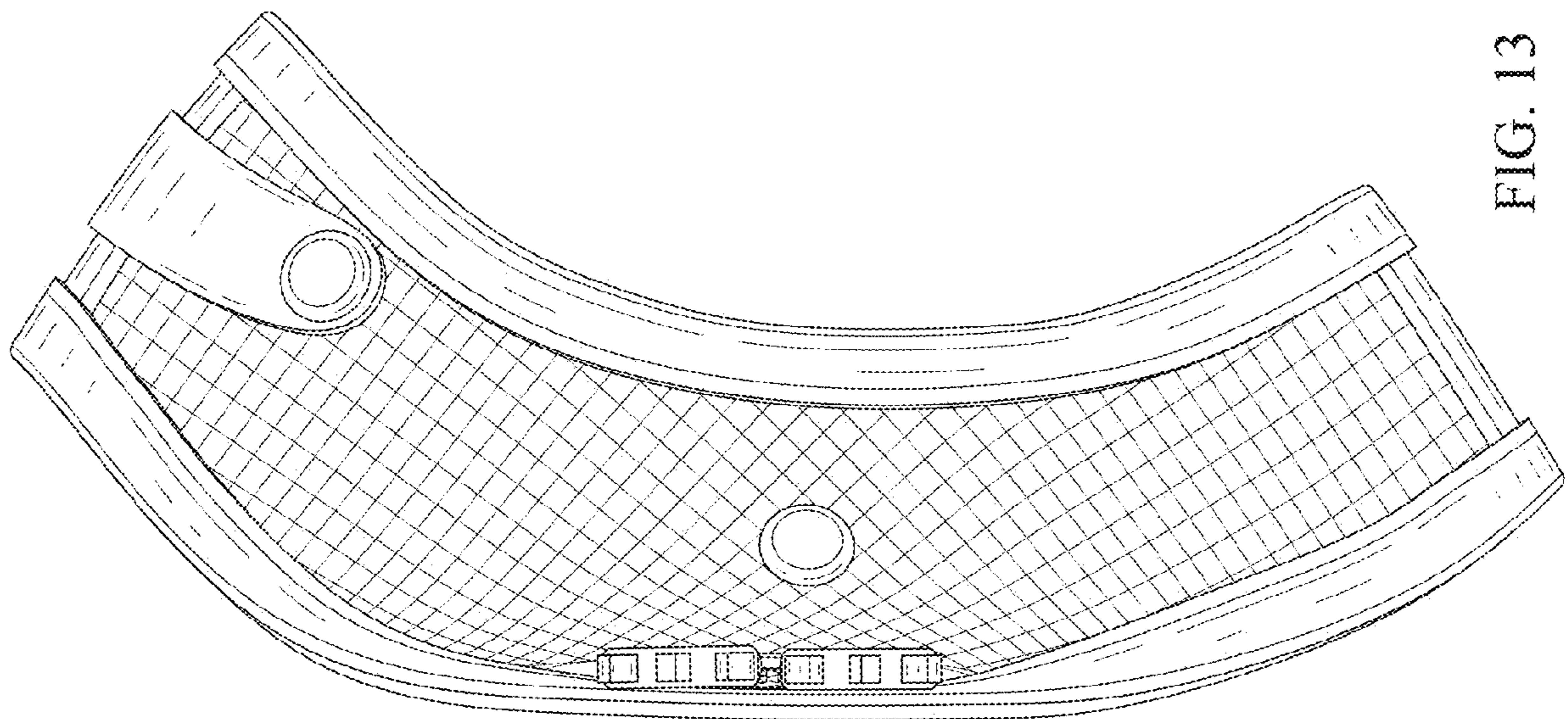


FIG. 13

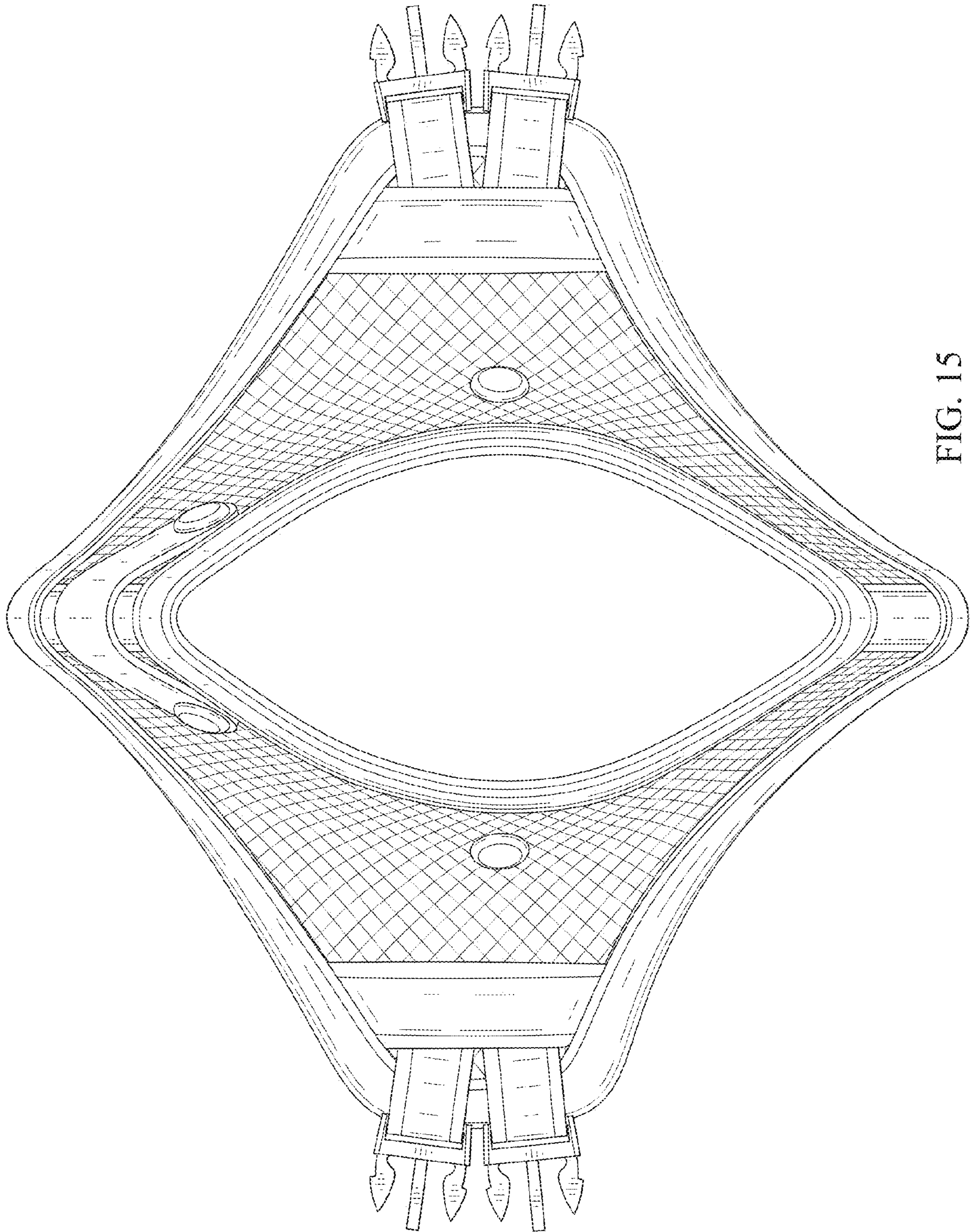


FIG. 15

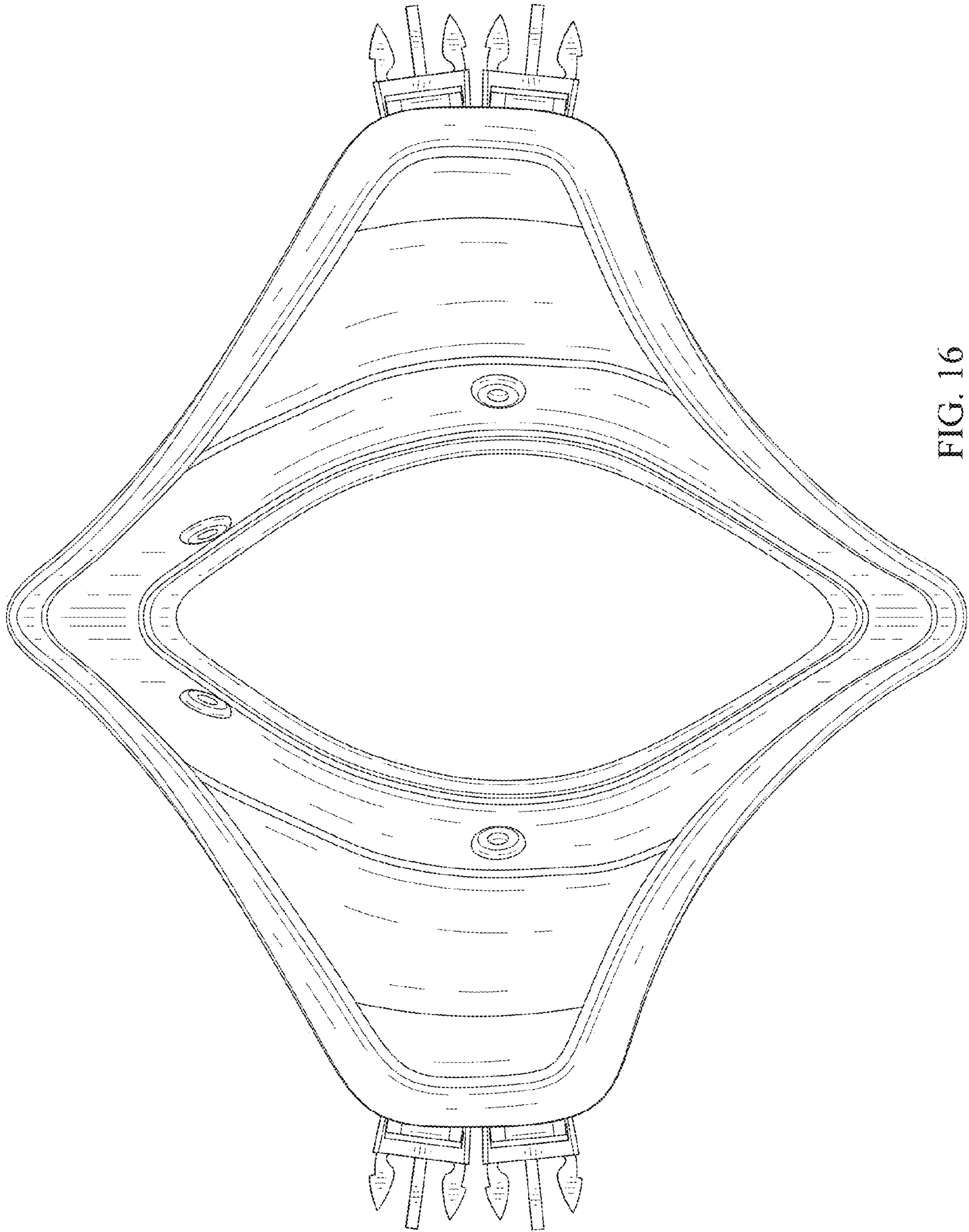


FIG. 16