



US00D908861S

(12) **United States Design Patent** (10) **Patent No.:** **US D908,861 S**
Appiahene-Agyei et al. (45) **Date of Patent:** **** Jan. 26, 2021**

- (54) **VENTILATION GRILLE**
- (71) Applicant: **Broan-NuTone LLC**, Hartford, WI (US)
- (72) Inventors: **Kwame Appiahene-Agyei**, Austin, TX (US); **David Jennings Lucas**, Austin, TX (US)
- (73) Assignee: **Broan-NuTone LLC**, Hartford, WI (US)

- 2,021,086 A 11/1935 Oskamp
- D107,399 S 12/1937 Broadwin
- 2,108,283 A 2/1938 Drew et al.
- D109,887 S 5/1938 Fordyce
- 2,182,690 A 12/1939 Cole
- D118,359 S 1/1940 Arenberg
- D120,266 S 4/1940 Fischer
- D120,772 S 5/1940 Arenberg
- D120,773 S 5/1940 Arenberg
- 2,220,127 A 11/1940 Slayter
- 2,222,081 A 11/1940 Leigh
- D126,128 S 3/1941 Eallman

(Continued)

(**) Term: **15 Years**

- (21) Appl. No.: **29/671,505**
- (22) Filed: **Nov. 28, 2018**
- (51) **LOC (13) Cl.** **23-03**
- (52) **U.S. Cl.**
USPC **D23/411; D23/371; D23/385**
- (58) **Field of Classification Search**
USPC **D23/351, 333, 353, 354, 267, 343-348, D23/364-365, 370-371, 373-376, D23/378-386, 393, 411-412; D25/138, D25/157; D26/26, 59, 88, 120; D14/434, 458, 218, 400; D11/220, 222; D21/333, 369, 385**
CPC **F04D 25/088; F04D 29/005; F04D 29/601; F04D 29/324; F21V 33/0096; F21V 33/0092; F24F 13/078**
See application file for complete search history.

(56) **References Cited**

U.S. PATENT DOCUMENTS

- 1,030,028 A 6/1912 Stampahar et al.
- 1,395,833 A 11/1921 Kling et al.
- 1,532,635 A 4/1925 Osbun
- 1,713,101 A 5/1929 Starrett
- 1,886,841 A 11/1932 Searles
- 1,895,642 A 1/1933 Stebbins
- 1,941,450 A 1/1934 Sylan
- 2,019,867 A 11/1935 Nelson

OTHER PUBLICATIONS

Broan QTX110SL Media Gallery, Broan QTX110SL Combination Fan, Light, Night-Light, 110 CFM, 0.9 Sones, Humidity Sensing, ventingdirect.com, 1 page.

(Continued)

Primary Examiner — Cathron C Brooks
Assistant Examiner — Sharon S Oum
(74) *Attorney, Agent, or Firm* — Barnes & Thornburg LLP

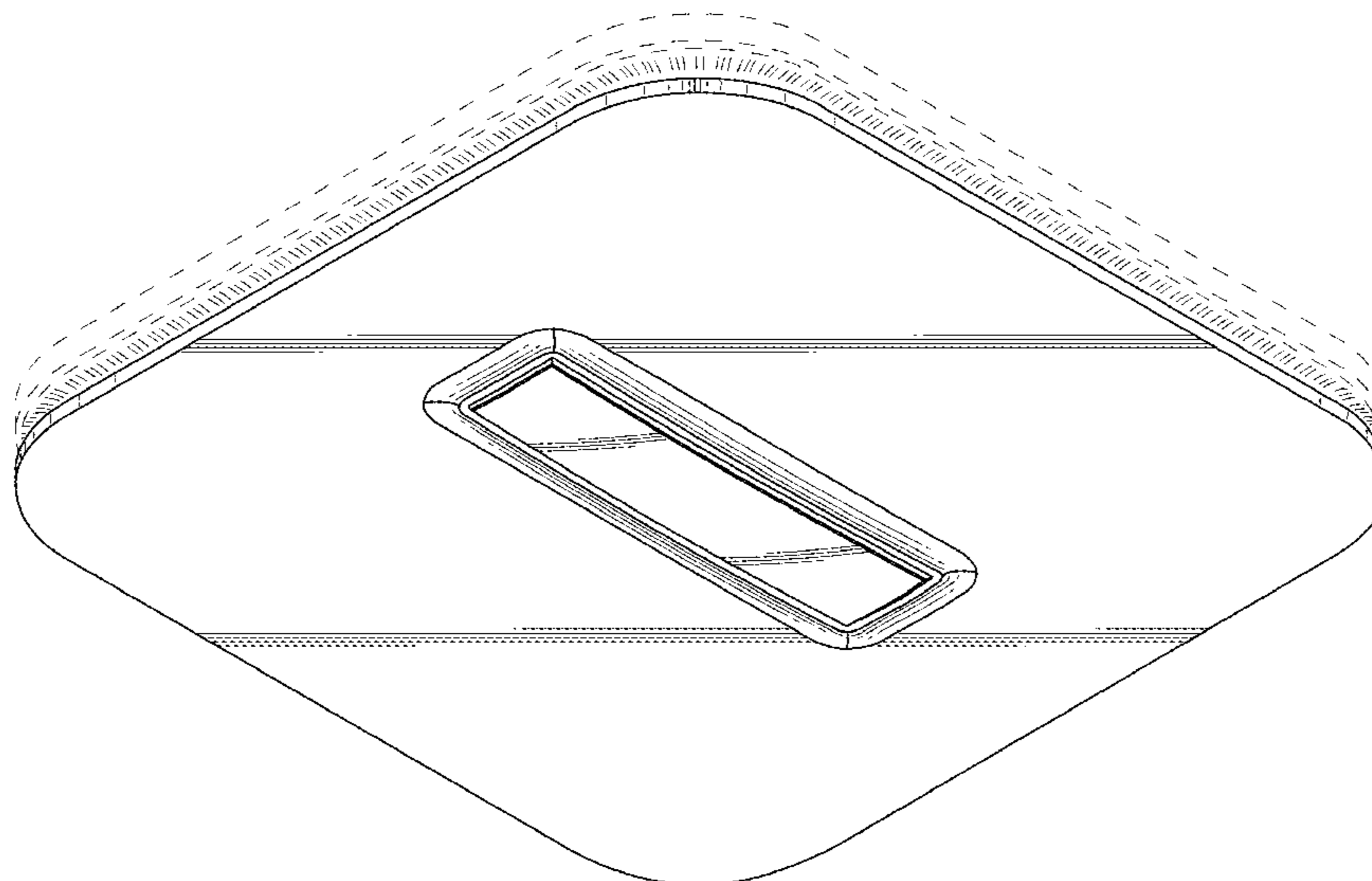
(57) **CLAIM**

The ornamental design for a ventilation grill, as shown and described.

DESCRIPTION

FIG. 1 is a bottom perspective view of the ventilation grille of the instant invention;
FIG. 2 is a bottom view of the grille of FIG. 1;
FIG. 3 is a top view of the grille of FIG. 1;
FIG. 4 is a left side view of the grille of FIG. 1;
FIG. 5 is a right side view of the grille of FIG. 1;
FIG. 6 is a front side view of the grille of FIG. 1; and,
FIG. 7 is a rear side view of the grille of FIG. 1.
The broken lines illustrate portions of the ventilation grille that form no part of the claimed design.

1 Claim, 5 Drawing Sheets



(56)

References Cited

U.S. PATENT DOCUMENTS

2,240,617 A	5/1941	Harrigan	3,952,638 A	4/1976	Felter et al.
2,278,581 A	4/1942	Dexter	D244,764 S	6/1977	Grubauer
D132,865 S	6/1942	Drollinger	D244,854 S	6/1977	Salamone
2,325,657 A	8/1943	Burkness	4,073,597 A	2/1978	Barnhart et al.
D153,313 S	4/1949	Phillips	4,115,082 A	9/1978	Newell
2,472,748 A	6/1949	Labus	4,141,703 A	2/1979	Mulchi
2,483,377 A	9/1949	Young	4,203,332 A	5/1980	Corsetti
D157,014 S	1/1950	Walker	D256,047 S	7/1980	Wormington
2,576,860 A	11/1951	Shapiro	D257,060 S	9/1980	Mann
D165,982 S	2/1952	Kennedy	D258,083 S	1/1981	Gammell
D166,324 S	4/1952	Kurth	4,252,547 A	2/1981	Johnson
D171,505 S	2/1954	Krueger	D261,803 S	11/1981	Bohanon
2,668,491 A	2/1954	Gerlitz	D262,457 S	12/1981	Swales
2,673,514 A	3/1954	Hanks	4,319,898 A	3/1982	Maierhofer
D173,120 S	9/1954	Levenhagen	4,335,647 A	6/1982	Timmons
2,689,906 A	9/1954	Corbett	4,336,749 A	6/1982	Barnhart et al.
2,697,163 A	12/1954	Spear	D267,828 S	2/1983	Cohen
2,710,573 A	6/1955	Marker	D268,952 S	5/1983	Anderson
2,780,981 A	2/1957	Miller	4,382,440 A	5/1983	Kapp et al.
2,790,375 A	4/1957	Broberg	4,385,550 A	5/1983	Steiner et al.
2,799,213 A	7/1957	Hansen	4,385,911 A	5/1983	Popeil et al.
2,800,069 A	7/1957	Smith	4,406,216 A	9/1983	Hott et al.
D180,727 S	8/1957	Bourner	D271,984 S	12/1983	Nelson
2,811,094 A	10/1957	Auer	D275,988 S	10/1984	Walker
2,824,429 A	2/1958	Zucker	D276,282 S	11/1984	Burg
2,831,550 A	4/1958	Bub	D277,298 S	1/1985	Nelson
D183,117 S	7/1958	Coleman	D277,299 S	1/1985	Nelson
2,875,678 A	3/1959	Shepherd	4,510,851 A	4/1985	Samosky et al.
2,911,900 A	11/1959	Rudy	D282,275 S	1/1986	Price
2,939,377 A	6/1960	Stach	D282,972 S	3/1986	Castor et al.
2,963,956 A	12/1960	Hill	4,594,940 A	6/1986	Wolbrink et al.
2,987,258 A	6/1961	North	4,610,705 A	9/1986	Samosky et al.
2,996,972 A	8/1961	Johansson	D286,446 S	10/1986	Caroli et al.
3,001,056 A	9/1961	Spear	4,628,802 A	12/1986	Steiner et al.
3,002,676 A	10/1961	Papsdorf	D287,888 S	1/1987	Castor et al.
D192,312 S	2/1962	Hart	D288,007 S	1/1987	Jonas et al.
3,028,475 A	4/1962	Nash	D288,396 S	2/1987	Ritman
3,045,579 A	7/1962	Jenn et al.	4,681,024 A	7/1987	Ivey
D193,868 S	10/1962	Bloomfield	4,722,266 A	2/1988	Deckert
3,064,548 A	11/1962	Field	D295,675 S	5/1988	Demarest
3,068,341 A	12/1962	Ortiz et al.	4,754,697 A	7/1988	Asselbergs
3,075,335 A	1/1963	Bandlow	4,776,798 A	10/1988	Crawford
3,097,287 A	7/1963	Knoll et al.	D300,777 S	4/1989	Bales et al.
3,101,662 A	8/1963	Alldritt	D300,847 S	4/1989	Lin
D196,618 S	10/1963	Hammes	4,862,334 A	8/1989	Ivey et al.
D199,045 S	9/1964	Everts	D303,436 S	9/1989	Clyde-Mason
3,211,080 A	10/1965	Rader	4,867,640 A	9/1989	Penlesky et al.
3,212,425 A	10/1965	Hazen et al.	4,991,496 A	2/1991	Kuno et al.
3,215,828 A	11/1965	Bonvallet et al.	D315,790 S	3/1991	Koessler
3,249,037 A	5/1966	Stalker	D322,667 S	12/1991	Fukuda et al.
3,250,063 A	5/1966	Andrews	D323,209 S	1/1992	Fukumoto et al.
3,276,597 A	10/1966	Mesek et al.	D323,554 S	1/1992	Hoyt et al.
3,326,112 A	6/1967	Sadlow et al.	D325,434 S	4/1992	Dosmann
3,332,334 A	7/1967	Melzer	D325,651 S	4/1992	Sonneman
3,347,025 A	10/1967	Wiley	D328,650 S	8/1992	Jones
3,391,689 A	7/1968	Roger	D330,585 S	10/1992	Saito et al.
3,438,180 A	4/1969	Klouda	D331,458 S	12/1992	Saito et al.
3,460,322 A	8/1969	Rivers et al.	D331,638 S	12/1992	Vamberszky et al.
3,572,234 A	3/1971	Schoenthaler	D334,053 S	3/1993	Cook
3,577,710 A	5/1971	Feldman	5,197,920 A	3/1993	Ganse
3,606,593 A	9/1971	Steiner	D334,977 S	4/1993	Avari
3,630,007 A	12/1971	Neumann	D336,895 S	6/1993	Rogov
3,636,306 A	1/1972	Bumpus	D338,954 S	8/1993	Brock
3,665,838 A	5/1972	Shepherd	D340,109 S	10/1993	Julien
3,692,977 A	9/1972	Duhamel et al.	D341,442 S	11/1993	Shapiro
3,698,833 A	10/1972	Cann et al.	5,319,942 A	6/1994	Paustian et al.
3,732,030 A	5/1973	Mullings	D349,778 S	8/1994	Johnson et al.
3,743,439 A	7/1973	Cann	D350,191 S	8/1994	Tsuji
D229,181 S	11/1973	Bledsoe	5,333,830 A	8/1994	Millen
3,777,650 A	12/1973	Wenig	D350,409 S	9/1994	Johnson et al.
3,785,271 A	1/1974	Joy	D352,564 S	11/1994	Marischen
3,788,207 A	1/1974	Doherty	D357,732 S	4/1995	Spechts et al.
3,861,894 A	1/1975	Marsh	D361,375 S	8/1995	Gallagher et al.
3,875,678 A	4/1975	Vits	D362,059 S	9/1995	Wojcik
3,926,537 A	12/1975	Piper	D366,521 S	1/1996	Wijaranakula
			D366,522 S	1/1996	Lagace et al.
			D367,924 S	3/1996	Patel et al.
			D372,767 S	8/1996	Borges
			D372,775 S	8/1996	Schuler

(56)

References Cited

U.S. PATENT DOCUMENTS

D374,927 S 10/1996 Chabot
D375,350 S 11/1996 Patel et al.
D376,214 S 12/1996 Pinchuk
D376,639 S 12/1996 Moore
D376,842 S 12/1996 Franklin et al.
D377,535 S 1/1997 Shulman
5,601,485 A 2/1997 Gigola
D378,698 S 4/1997 Ukai et al.
5,632,334 A 5/1997 Grinbergs et al.
D382,549 S 8/1997 Yoshimoto
D386,186 S 11/1997 Schnetzer et al.
D386,209 S 11/1997 Firestone et al.
D387,859 S 12/1997 Ukai et al.
D388,353 S 12/1997 Desborough et al.
D393,708 S 4/1998 Assadi
D395,494 S 6/1998 Becker
D396,275 S 7/1998 Pearson
D398,417 S 9/1998 Fritzsche et al.
5,820,247 A 10/1998 Schuler
D401,682 S 11/1998 Galeazzi et al.
D403,442 S 12/1998 Joss
D403,787 S 1/1999 Van Belle
D404,508 S 1/1999 Marischen
D405,207 S 2/1999 Mora
D407,473 S 3/1999 Wimbock
D407,521 S 3/1999 Crosby
5,879,232 A 3/1999 Luter et al.
D409,449 S 5/1999 Cornelissen
5,918,972 A 7/1999 Van Belle
D412,566 S 8/1999 Taras et al.
D414,253 S 9/1999 Kobayashi et al.
5,971,847 A 10/1999 Webb
D416,315 S 11/1999 Nanjo
D416,349 S 11/1999 Pahl
D417,307 S 11/1999 Pahl
D418,909 S 1/2000 Mockett
D420,121 S 2/2000 Felix-Flender
6,027,406 A 2/2000 Yazici
D424,672 S 5/2000 Nanjo
D425,974 S 5/2000 Esty et al.
D426,124 S 6/2000 Kassalen et al.
D426,292 S 6/2000 Nanjo
D426,657 S 6/2000 Joss
D427,009 S 6/2000 Iyengar et al.
D427,303 S 6/2000 Brown
D428,645 S 7/2000 Rossman et al.
6,227,962 B1 5/2001 Orendorff
6,261,175 B1 7/2001 Larson et al.
6,464,579 B1 10/2002 Salazar
6,488,579 B2 12/2002 Larson et al.
6,503,060 B1 1/2003 Kamada et al.
6,537,146 B1 3/2003 Haynes
6,651,454 B1 11/2003 Spiegel
6,653,566 B2 11/2003 Petak et al.
6,723,428 B1 4/2004 Foss et al.
6,750,760 B2 6/2004 Albritton et al.
D497,984 S * 11/2004 Tokunaga D23/364
6,889,948 B2 5/2005 Melancon et al.
6,979,169 B2 12/2005 Penlesky et al.
D514,221 S 1/2006 Brett
D532,785 S * 11/2006 Lo D14/363
7,203,416 B2 4/2007 Craw et al.
D560,786 S * 1/2008 Yoo D23/351
D560,787 S * 1/2008 Yoo D23/351
7,328,478 B2 2/2008 Jenkins
D584,393 S * 1/2009 Miyake D23/370
D584,394 S * 1/2009 Miyake D23/370
D584,848 S * 1/2009 Menke D26/76
7,537,647 B2 5/2009 Adair et al.
D595,830 S * 7/2009 Deng D23/372
7,581,717 B1 9/2009 Thurlkill
7,596,960 B2 10/2009 Bae
D618,782 S 6/2010 Zakula et al.
D626,644 S 11/2010 Jacak et al.
7,850,513 B1 12/2010 Parker et al.

D632,004 S * 2/2011 Waldmann D26/76
D632,007 S * 2/2011 Kim D26/120
D634,704 S * 3/2011 Tieleman D13/102
D635,238 S 3/2011 Zakula et al.
D650,365 S * 12/2011 McManigal D14/218
D653,323 S 1/2012 Jacak et al.
D654,998 S 2/2012 Zakula et al.
D655,403 S 3/2012 Zakula et al.
D665,225 S 8/2012 Zakula et al.
8,256,241 B2 9/2012 Ikeda et al.
D668,374 S * 10/2012 Wauters D26/89
D678,995 S 3/2013 Hoshino et al.
D686,595 S * 7/2013 Andre D14/217
D701,952 S 4/2014 Hoshino et al.
D706,916 S 6/2014 Penlesky et al.
8,864,447 B1 10/2014 Humphrey
D726,690 S * 4/2015 Andre D14/217
9,022,846 B1 5/2015 Tom
9,028,212 B1 5/2015 Tom
D734,445 S * 7/2015 Huang D23/364
9,103,104 B1 8/2015 Tom
9,131,814 B2 9/2015 Nakamura et al.
D742,581 S * 11/2015 Akiyama D26/113
9,182,138 B2 11/2015 Foreman et al.
9,188,132 B1 11/2015 Tom
D746,488 S * 12/2015 Luchini D25/138
9,212,668 B2 12/2015 Deng et al.
D752,200 S * 3/2016 Huang D23/385
D754,319 S * 4/2016 Park D23/385
9,303,859 B2 4/2016 Horng et al.
9,303,888 B2 4/2016 Karst et al.
D759,800 S 6/2016 Adrian et al.
D762,290 S * 7/2016 Jepson D23/342
D763,262 S * 8/2016 Hallar D14/434
D766,413 S * 9/2016 Zhou D23/354
D775,316 S * 12/2016 Nakai D23/351
D778,424 S 2/2017 Jonas et al.
D778,425 S 2/2017 Jonas et al.
D779,050 S 2/2017 Jonas et al.
D784,511 S 4/2017 Jonas et al.
D784,512 S 4/2017 Jonas et al.
D799,677 S * 10/2017 Jonas D23/385
D799,678 S * 10/2017 Jonas D23/385
D799,679 S * 10/2017 Jonas D23/385
D800,294 S 10/2017 Jonas et al.
D800,295 S * 10/2017 Jonas D23/385
D800,892 S 10/2017 Jonas et al.
D815,724 S 4/2018 Jonas et al.
D816,206 S 4/2018 Jonas et al.
D821,386 S * 6/2018 Dou D14/314
D821,615 S * 6/2018 Trice D26/26
D822,821 S 7/2018 Jonas et al.
D823,531 S * 7/2018 Chen D26/120
D829,968 S * 10/2018 Momin D26/120
D830,526 S * 10/2018 Niki D23/351
D837,966 S 1/2019 Adrian et al.
D842,449 S 3/2019 Chang et al.
D864,145 S * 10/2019 Zhang D14/155
D883,467 S * 5/2020 Jonas D23/385
2013/0088855 A1 4/2013 Ye
2015/0117034 A1 4/2015 Horng
2015/0125292 A1 5/2015 Karst
2016/0069561 A1 3/2016 Jonas
2018/0066838 A1 * 3/2018 Huang F04D 25/088

OTHER PUBLICATIONS

Emerson Environment Products, Whole House Fan and Shutter System Owners Manual, Dec. 1982, cited by other.
Photographs of Panasonic Ventilating Fan, Model FV-11, VHL1, available prior to Jan. 2, 2008, 3 pages.
Spartan Electric Company, Direct Drive Whole House Fans Publication, available prior to Jan. 2, 2008.
“Whirlpool 30 and 36 Range Hood Models UXT3030AY/ UXT3036AY.” Installation Instructions and Use & Care Guide, [online], Retrieved from the Internet: <http://www.whirlpool.ca/digitalassests/UCT3030AYB/US%20and%20Care_EN.pdf>, 2011. 28 pages.

(56)

References Cited

OTHER PUBLICATIONS

“Maytag 30 in. Non-Vented Range Hood in Stainless Steel,” Model# UXT4030AYS, Home Depot, [online], Retrieved from the Internet on Sep. 23, 2013: <http://www.homedepot.com/p/Maytag-30-in-Non-Vented-Range-Hood-in-Stainless-Steel-UXT-4030AYS/202832999#customer_reviews>, 5 pages.

“Finnleo Steam Sauna Ventilation Wood Grill,” online, Retrieved from the Internet: <<https://www.tineye.com/search/8ff8db465e46f58bcad482160583c-b539dc23fa4/>>, Jun. 6, 2012.

Grille Images, image post date Nov. 23, 2013, site visited May 14, 2016, [online], <<https://www.tineye.com/search/ea95b48bdc1fce15b6d68e4fbe33c-0e4e7566460/>>.

Napoleon Prestige Pro 450-Natural Gas, image post date Apr. 5, 2014, site visited May 15, 2016, [online], <<http://web.archive.org/web/20140405111728/http://www.bbqworld.co.uk/n- napoleon/napoleon-prestige-pro-450-natural-gas.asp>>.

“Ultra Green Series,” [online], Retrieved from Internet: <<http://web.archive.org/web/20140416053348/http://www.boran.com/products/filter/ultra-406c-abf1-ed72241eb706>>, Apr. 16, 2014.

“Airvent 435103 Kitchen Extractor Fan,” [online], Retrieved from Internet: <<https://www.amazon.co.uk/Airvent-435103-Kitchen-Extractor-1-50mm/dp/B0085TQ75U/ref=pd.sub.--cp.sub.--107.sub.-3?ie=UTF8&refRID=1MXRP1-Q1QR5H6NZ1MR7C>>, May 14, 2014.

Air Vent Grille Cover, image post date Nov. 9, 2014, site visited May 14, 2016, [online], <<https://www.tineye.com/search/232b8f674998285163e7a3de47a03edOef9b1dc-6/>>.

“Manrose FF100P Bathroom Fan,” [online], Retrieved from Internet: <<https://www.tineye.com/search63988ff8b950dad9cbl1aaec51119050bdd00cf2-1/?plug-inver=>>>, Dec. 12, 2014.

NuTone 791LEDNT Fan/Light.

* cited by examiner

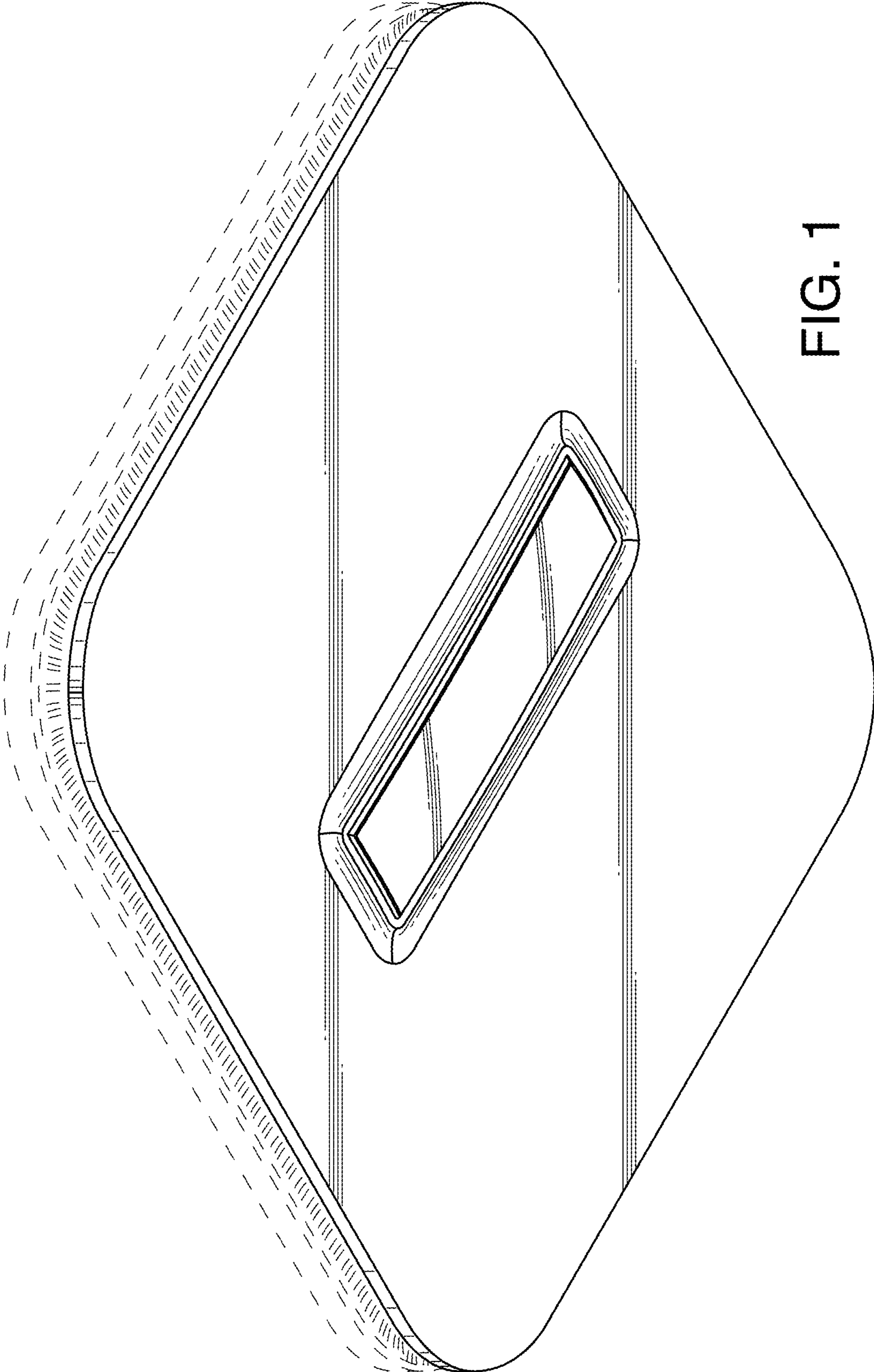


FIG. 1

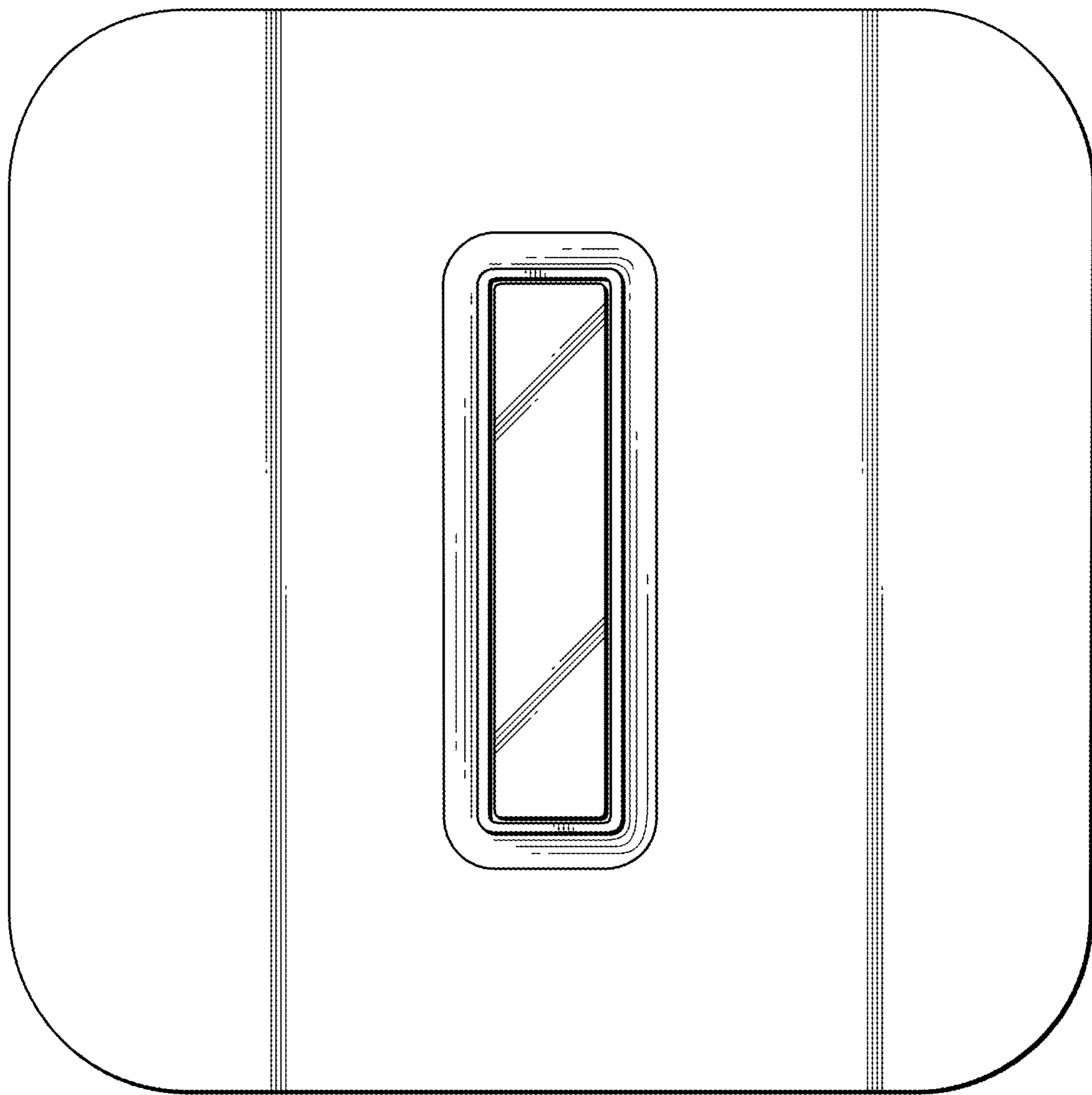


FIG. 2

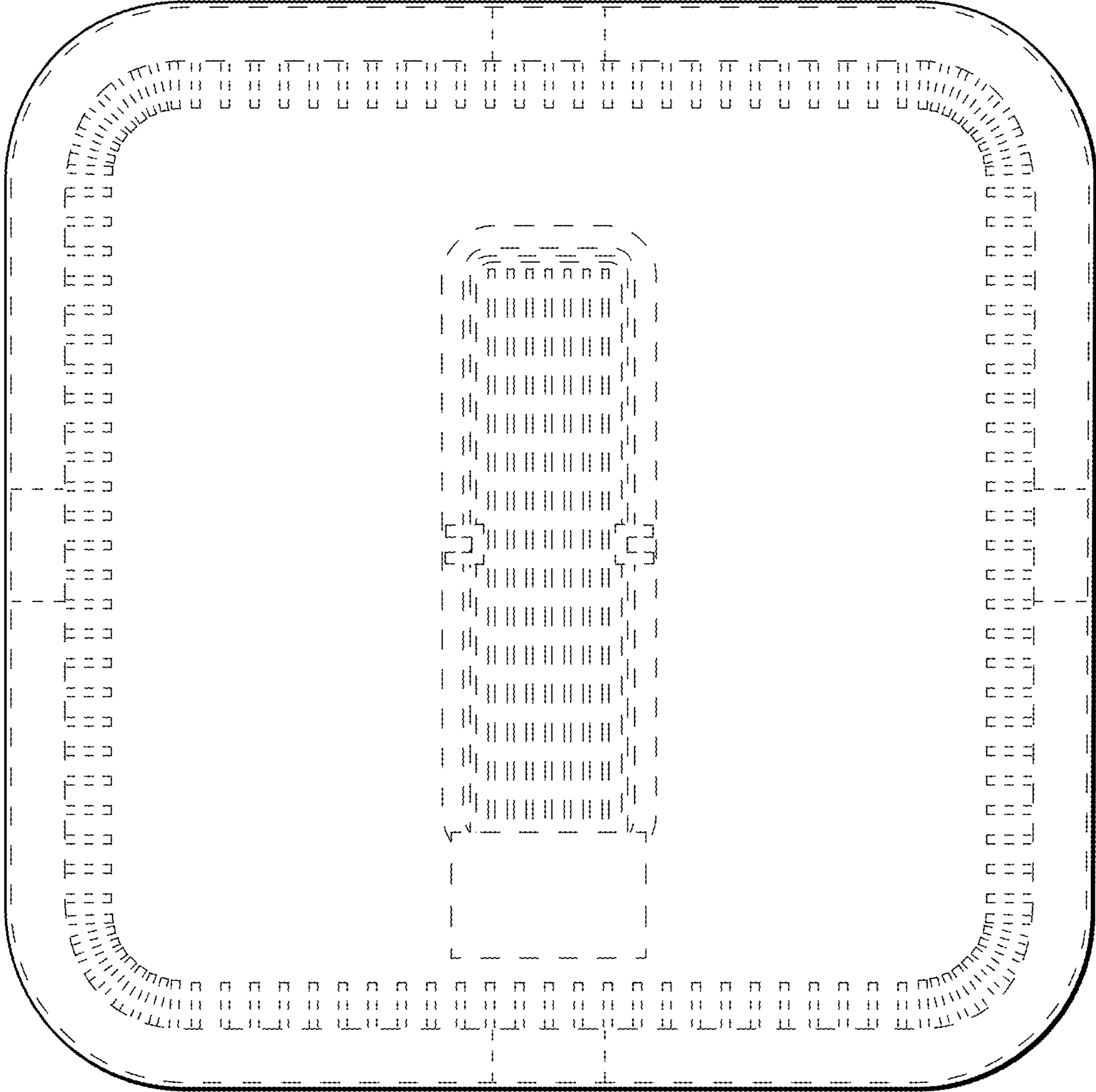


FIG. 3

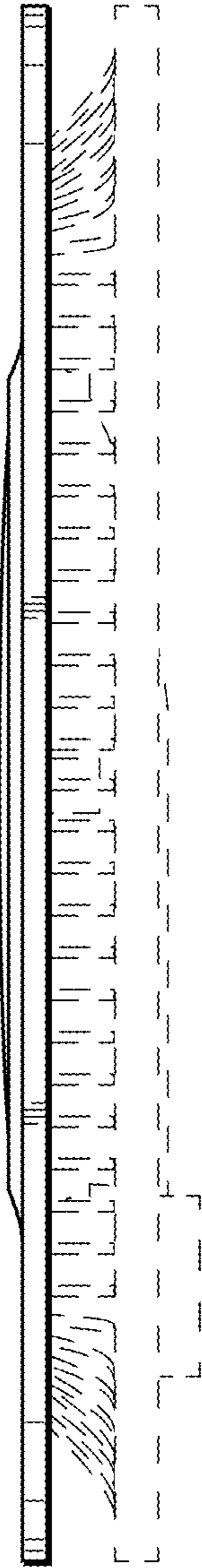


FIG. 4

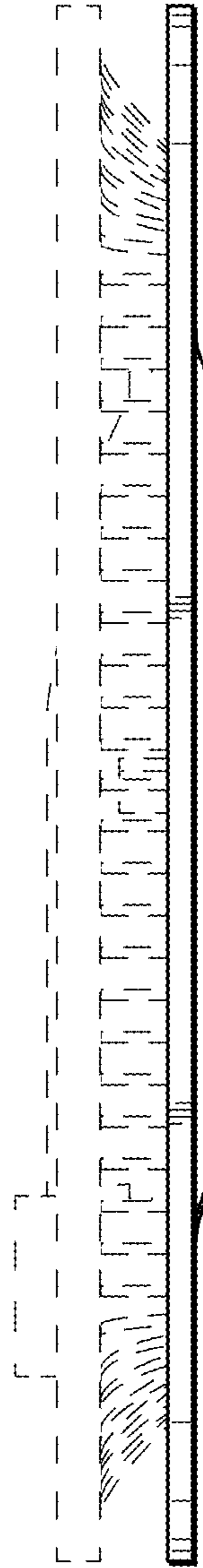


FIG. 5



FIG. 6



FIG. 7