



US00D908859S

(12) **United States Design Patent**
Meyer

(10) **Patent No.:** **US D908,859 S**

(45) **Date of Patent:** **** Jan. 26, 2021**

- (54) **MULTI-DIRECTIONAL PLUME**
- (71) Applicant: **Raymond & Lae Engineering, Inc.**,
Fort Collins, CO (US)
- (72) Inventor: **Gary Meyer**, Berthoud, CO (US)
- (73) Assignee: **Raymond & Lae Engineering, Inc.**,
Fort Collins, CO (US)
- (**) Term: **15 Years**
- (21) Appl. No.: **29/681,114**
- (22) Filed: **Feb. 22, 2019**

Related U.S. Application Data

- (63) Continuation of application No. 15/465,481, filed on
Mar. 21, 2017, now Pat. No. 10,251,313.
- (51) **LOC (13) Cl.** **23-01**
- (52) **U.S. Cl.**
USPC **D23/388**
- (58) **Field of Classification Search**
USPC D23/385, 388, 412; D26/121
CPC F24F 13/062; F24F 13/084; F24F 13/14;
F24F 13/075; F24F 13/06; E04B 9/0428
See application file for complete search history.

(56) **References Cited**

U.S. PATENT DOCUMENTS

D161,340 S	*	12/1950	Hurley	D26/121
D166,322 S	*	4/1952	Kurth	D23/388
D166,323 S	*	4/1952	Kurth	D23/388
D166,324 S	*	4/1952	Kurth	D23/388
D171,505 S	*	2/1954	Krueger	D23/388
D179,847 S	*	3/1957	Griner	D23/388
2,811,094 A	*	10/1957	Auer	F24F 13/062 454/310
3,110,242 A	*	11/1963	O'Day	F24F 13/062 454/300
D275,706 S	*	9/1984	Trombley	D23/388

6,010,402 A	*	1/2000	Schmidt	F24F 13/06 454/299
D470,233 S	*	2/2003	Sarkinen	D23/388
D609,800 S	*	2/2010	Chen	D23/385
D816,826 S	*	5/2018	Johnson	D23/377

(Continued)

FOREIGN PATENT DOCUMENTS

GB 1052716 * 8/1988

OTHER PUBLICATIONS

Grille Cover, announced Dec. 7, 2011[online], [site visited Sep. 8, 2020]. Available from internet, URL:<<https://www.amazon.com/10-HVAC-Vent-Cover-Dimensions/dp/B006J2VEXK>> (Year: 2011).*

(Continued)

Primary Examiner — Barbara Fox
Assistant Examiner — Jamaal Rasheed
(74) *Attorney, Agent, or Firm* — Cochran Freund & Young LLC; William W. Cochran

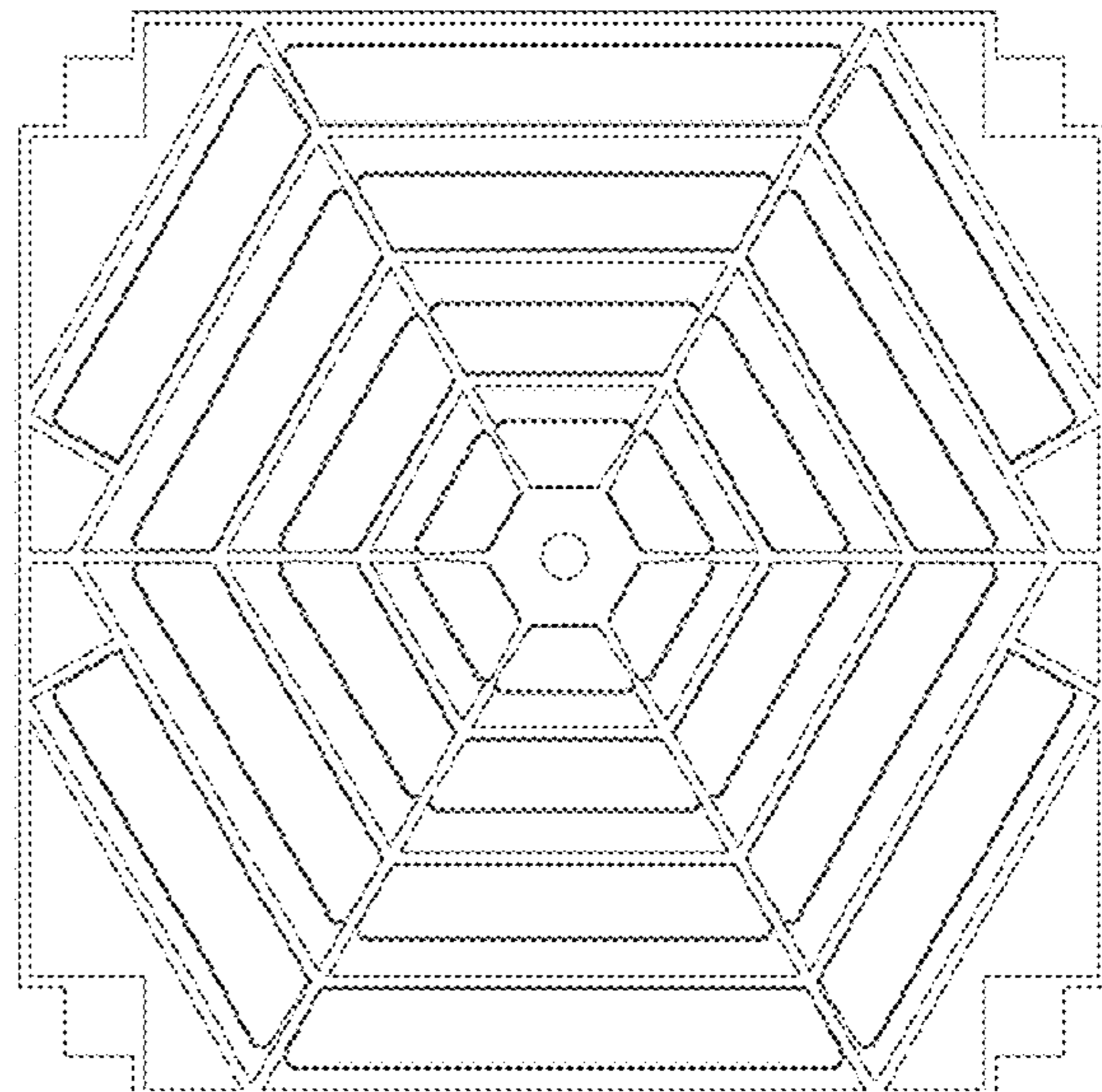
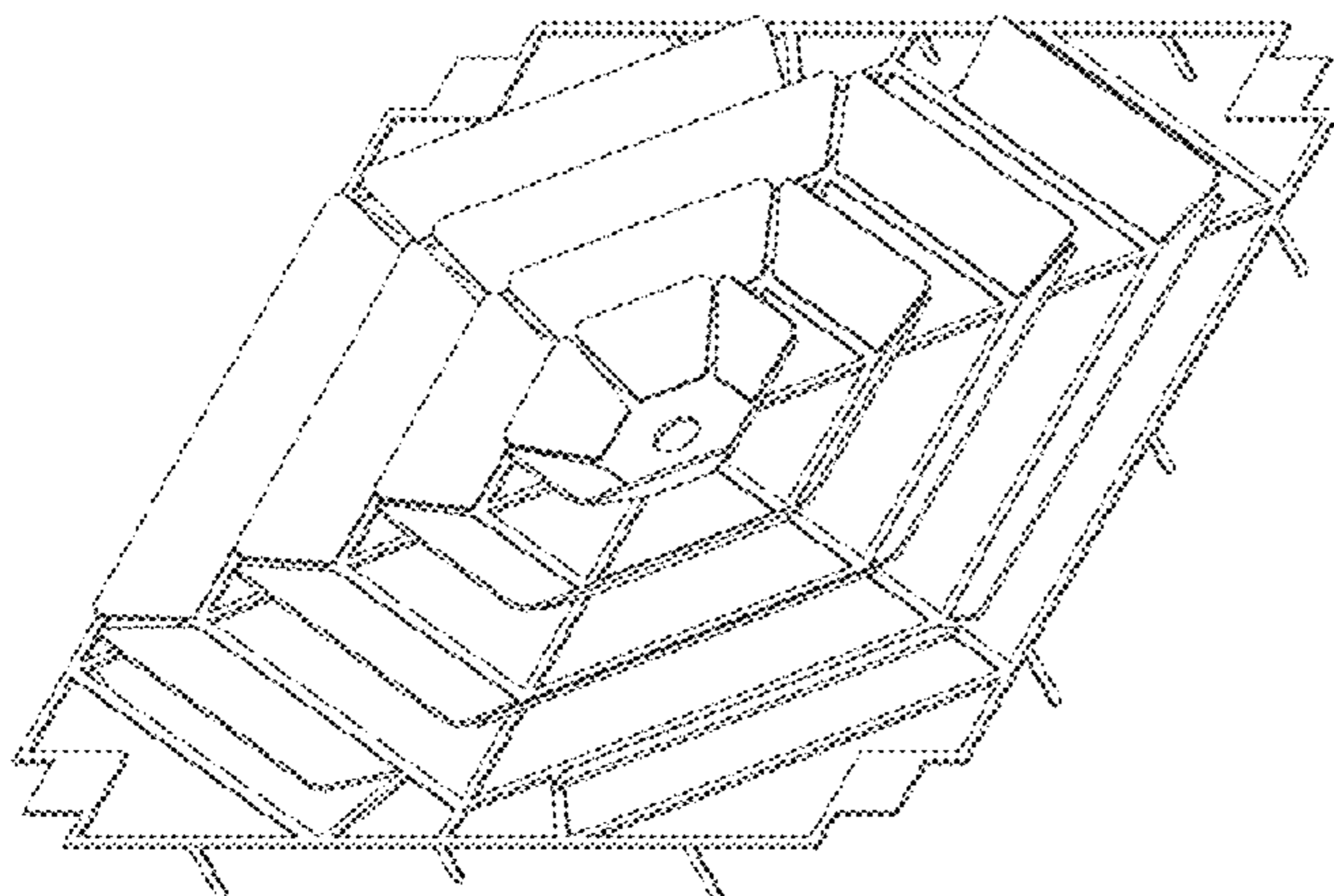
(57) **CLAIM**

The ornamental design for a multi-directional plume, as shown and described.

DESCRIPTION

FIG. 1 is a top isometric view of a multi-directional plume. FIG. 2 is a front view of the multi-directional plume. FIG. 3 is a right side view of the multi-directional plume. FIG. 4 is a left side view of the multi-directional plume. FIG. 5 is a top view of the multi-directional plume. FIG. 6 is a bottom view of the multi-directional plume; and, FIG. 7 is a rear view of the multi-directional plume. Any broken line portions of the disclosure are for illustrative purposes only and form no part of the claimed design.

1 Claim, 7 Drawing Sheets



(56)

References Cited

U.S. PATENT DOCUMENTS

10,251,313	B2 *	4/2019	Meyer	F24F 13/062
2003/0019164	A1 *	1/2003	Weakes	E04B 9/006
				52/22
2005/0164626	A1 *	7/2005	Kloostra	F24F 13/062
				454/300
2005/0260945	A1 *	11/2005	Mhatre	F24F 13/062
				454/300
2010/0233953	A1 *	9/2010	Mavroudis	F24F 13/084
				454/276
2011/0269391	A1 *	11/2011	Brown	F24F 13/14
				454/358
2014/0302772	A1 *	10/2014	Nizich	F24F 13/084
				454/334

OTHER PUBLICATIONS

Diffuser Grille, announced Dec. 18, 2016[online], [site visited Sep. 8, 2020]. Available from internet, URL:<<https://www.amazon.ca/dp/B0076OW4DY>> (Year: 2016).*

* cited by examiner

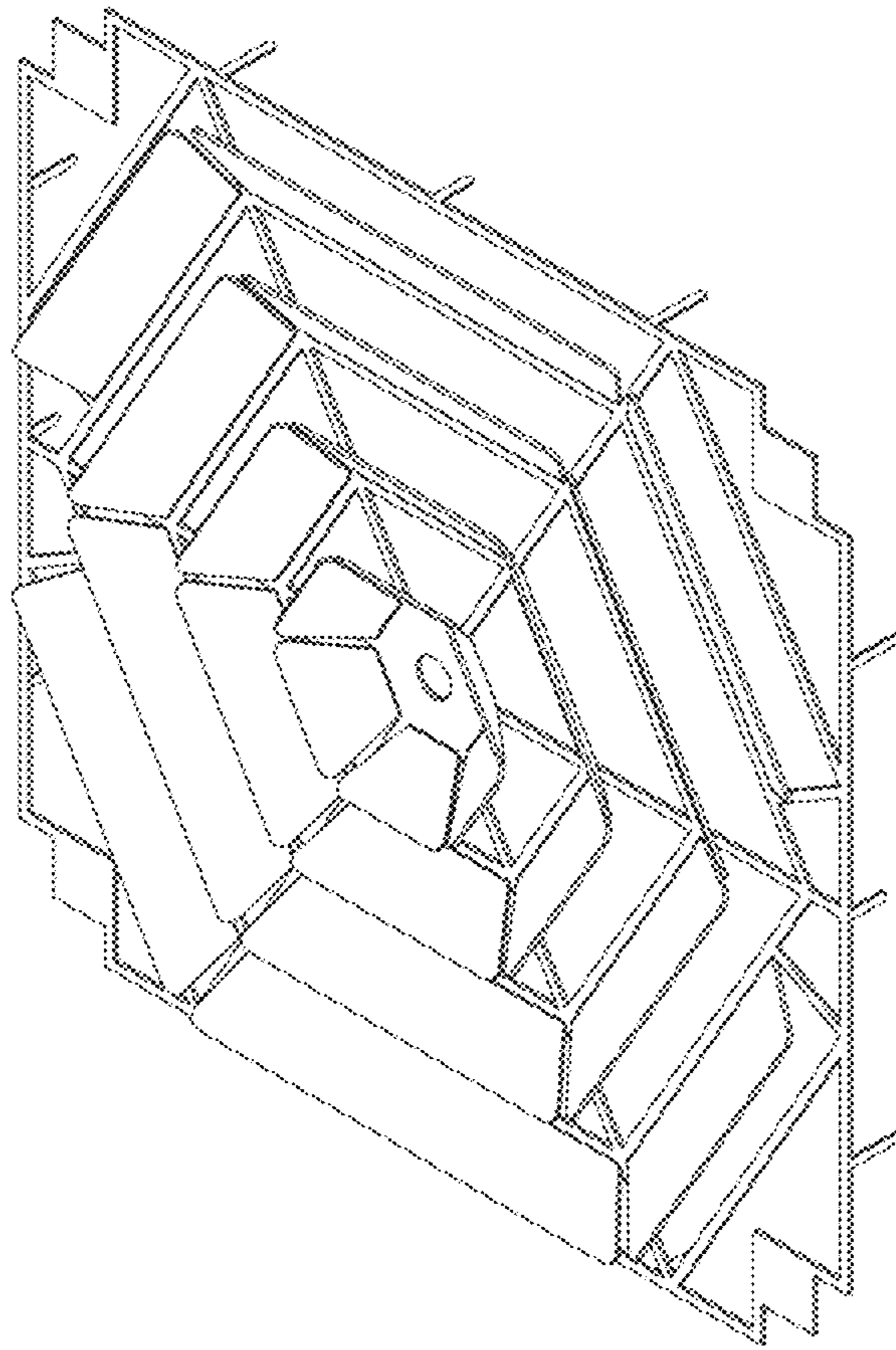


FIG. 1

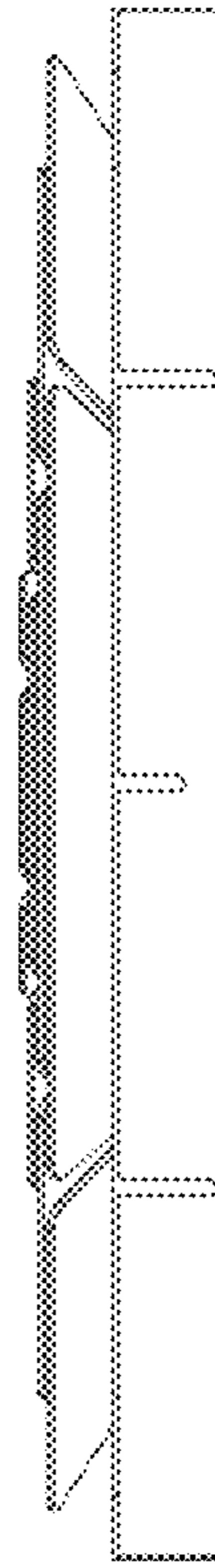


FIG. 2

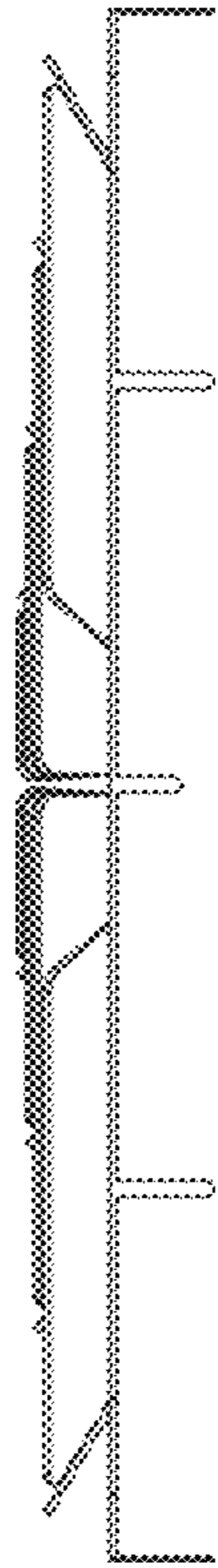


FIG. 3

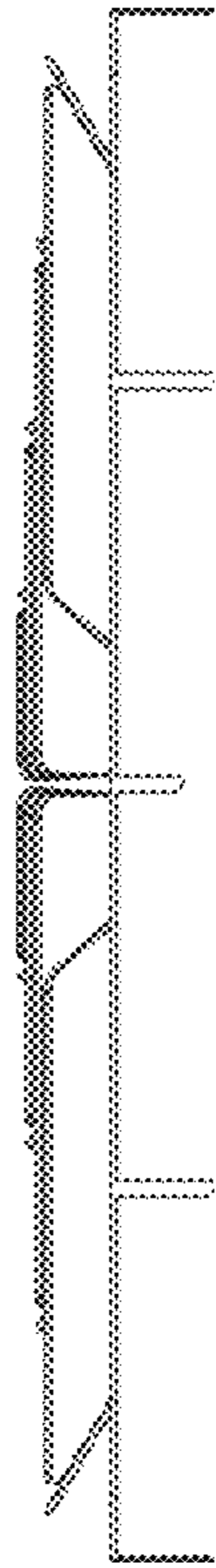


FIG. 4

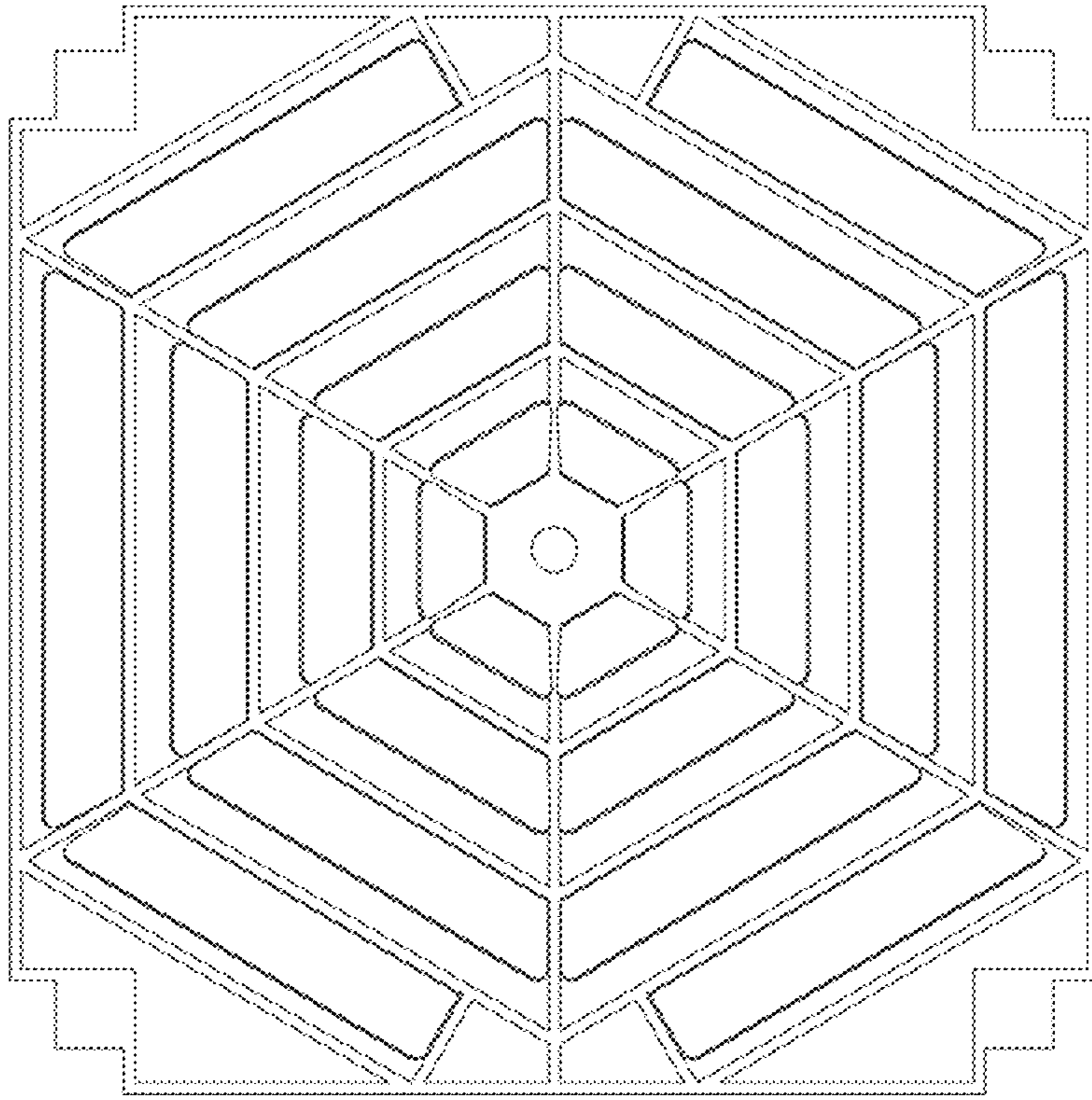


FIG. 5

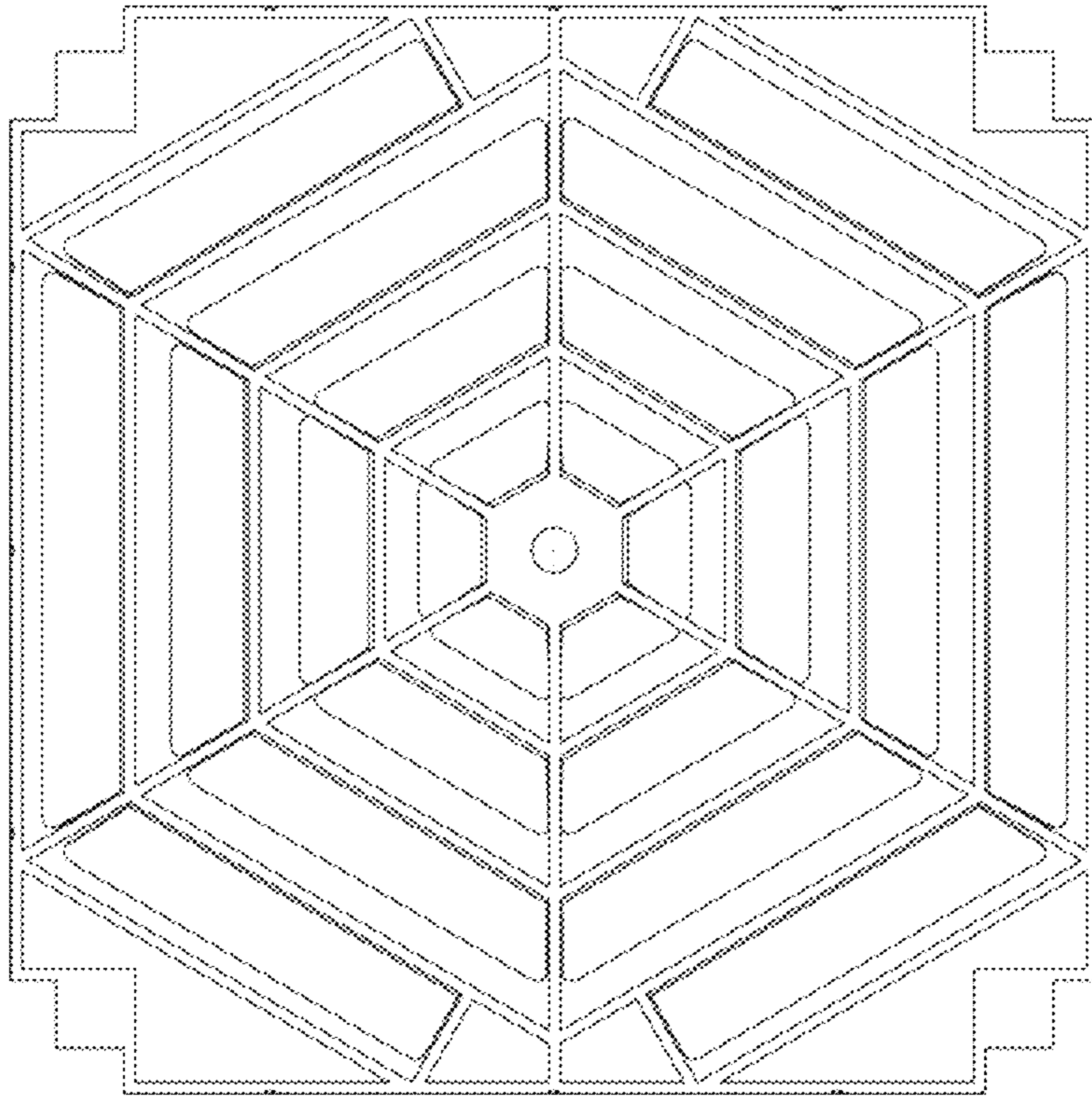


FIG. 6

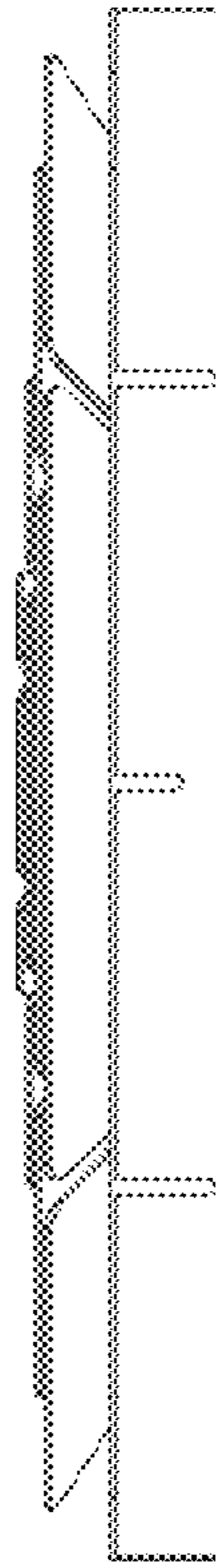


FIG. 7