



US00D908858S

(12) **United States Design Patent**  
**Yang**

(10) **Patent No.:** **US D908,858 S**

(45) **Date of Patent:** **\*\* Jan. 26, 2021**

- (54) **FAN**
- (71) Applicant: **DONGGUAN POWERME PLASTIC MFG. CO., LTD.**, Dongguan (CN)
- (72) Inventor: **Guowei Yang**, Dongguan (CN)
- (73) Assignee: **DONGGUAN POWERME PLASTIC MFG. CO., LTD.**, Dongguan (CN)

D673,256 S	12/2012	Shapiro	
D674,476 S *	1/2013	Junkel .....	D23/370
D777,899 S	1/2017	Wark	
D825,048 S	8/2018	Breit et al.	
D855,171 S *	7/2019	Xu .....	D23/382
D865,937 S	11/2019	Lin	
D881,371 S *	4/2020	Hollinger .....	D23/382
D884,146 S *	5/2020	Hollinger .....	D23/382
D895,781 S *	9/2020	Peet .....	D23/370

- (\*\*) Term: **15 Years**
- (21) Appl. No.: **29/752,372**
- (22) Filed: **Sep. 27, 2020**
- (51) **LOC (13) Cl.** ..... **23-04**
- (52) **U.S. Cl.**  
USPC ..... **D23/382**
- (58) **Field of Classification Search**  
USPC ..... D23/370-385, 411-414  
CPC ..... F04D 25/084  
See application file for complete search history.

\* cited by examiner

*Primary Examiner* — Janice Hallmark

(57) **CLAIM**

The ornamental design for a fan, as shown and described.

**DESCRIPTION**

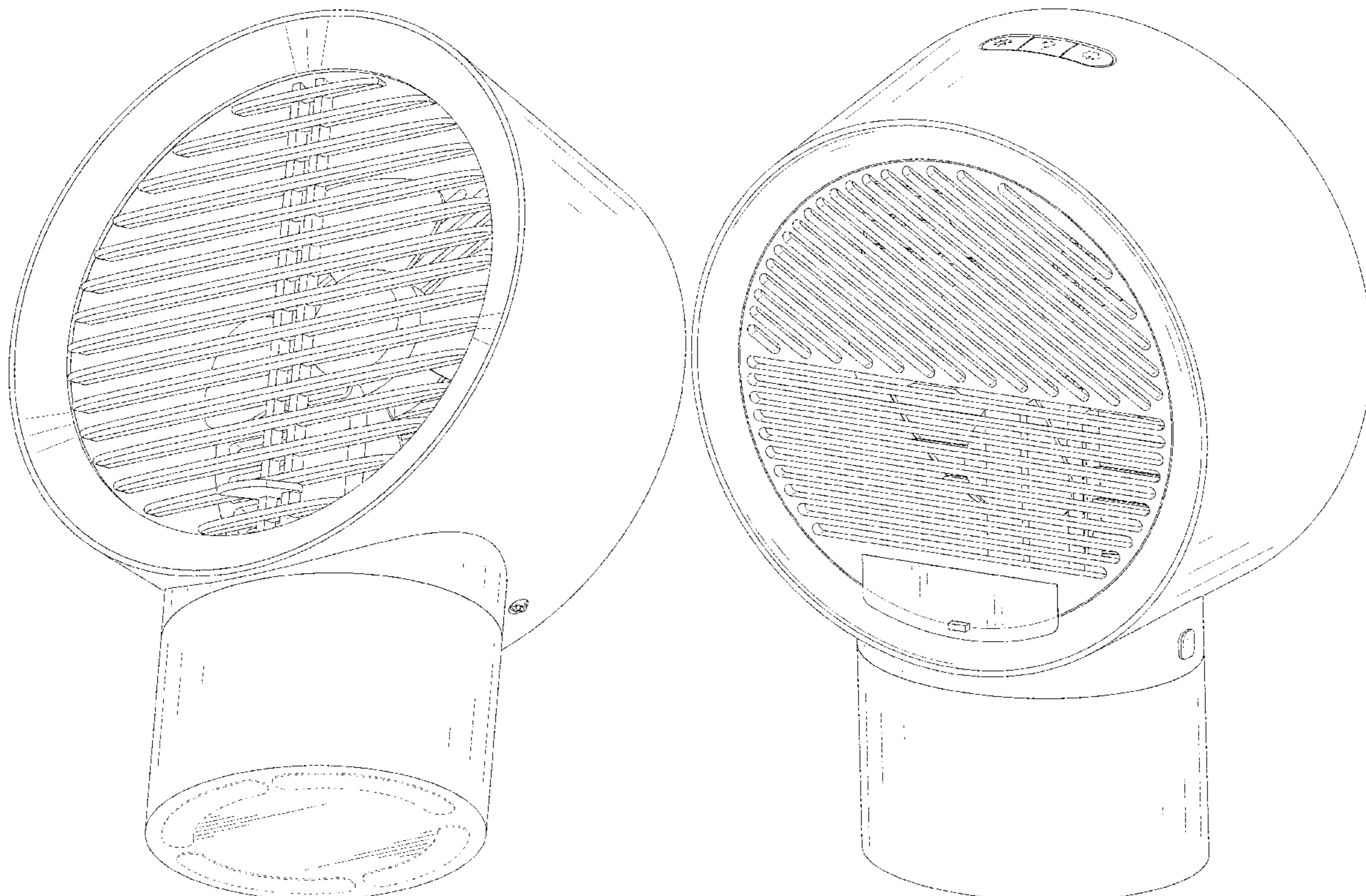
FIG. 1 is a perspective view of a fan showing my new design;  
 FIG. 2 is another perspective view thereof;  
 FIG. 3 is a front elevational view thereof;  
 FIG. 4 is a rear elevational view thereof;  
 FIG. 5 is a left side elevational view thereof;  
 FIG. 6 is a right side elevational view thereof;  
 FIG. 7 is a top plan view thereof; and,  
 FIG. 8 is a bottom plan view thereof.  
 The broken lines in the drawings depict portions of the fan that form no part of the claimed design.

(56) **References Cited**

U.S. PATENT DOCUMENTS

D451,595 S *	12/2001	Chen .....	D23/382
D510,994 S *	10/2005	Indio Da Costa .....	D23/382

**1 Claim, 8 Drawing Sheets**



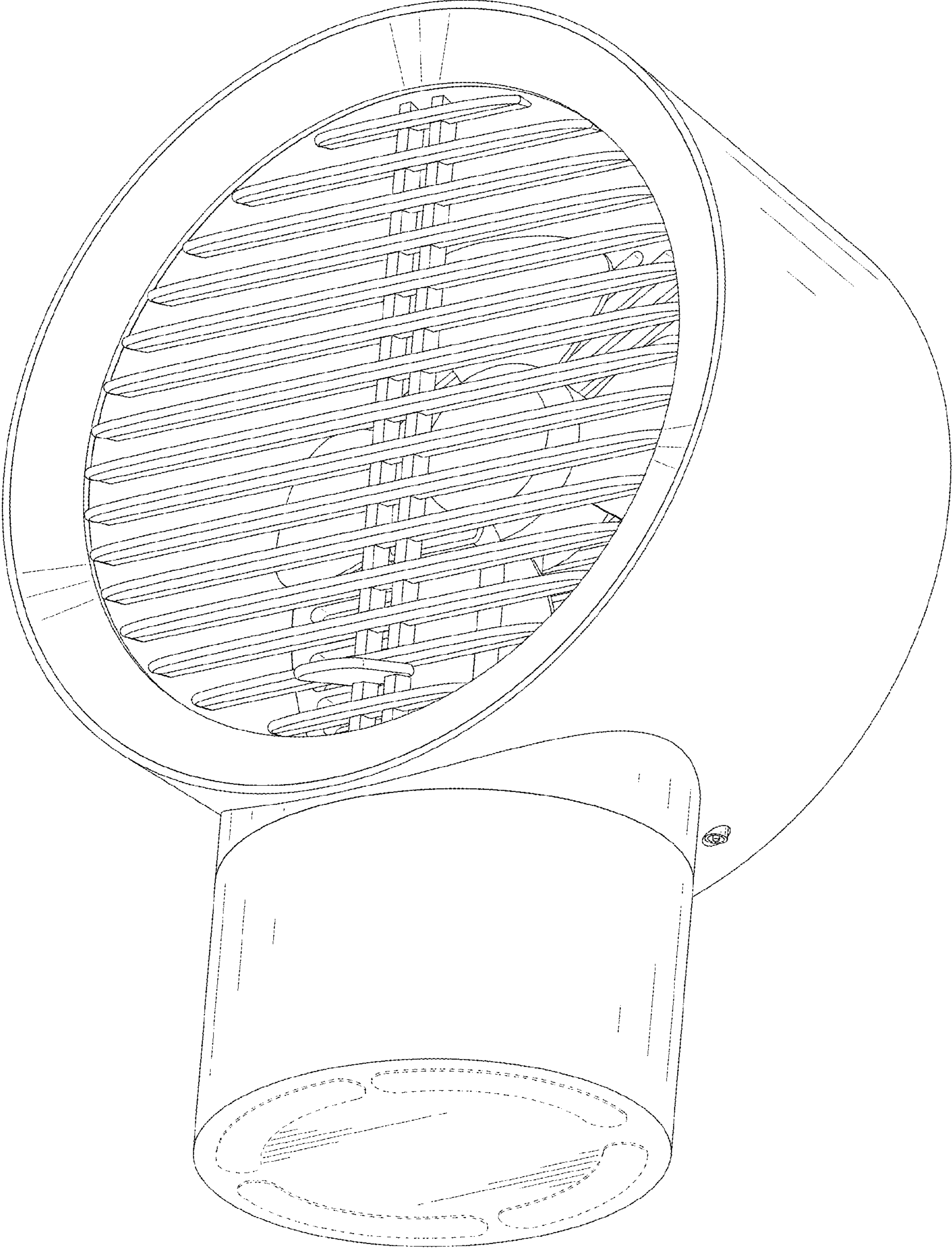


FIG. 1

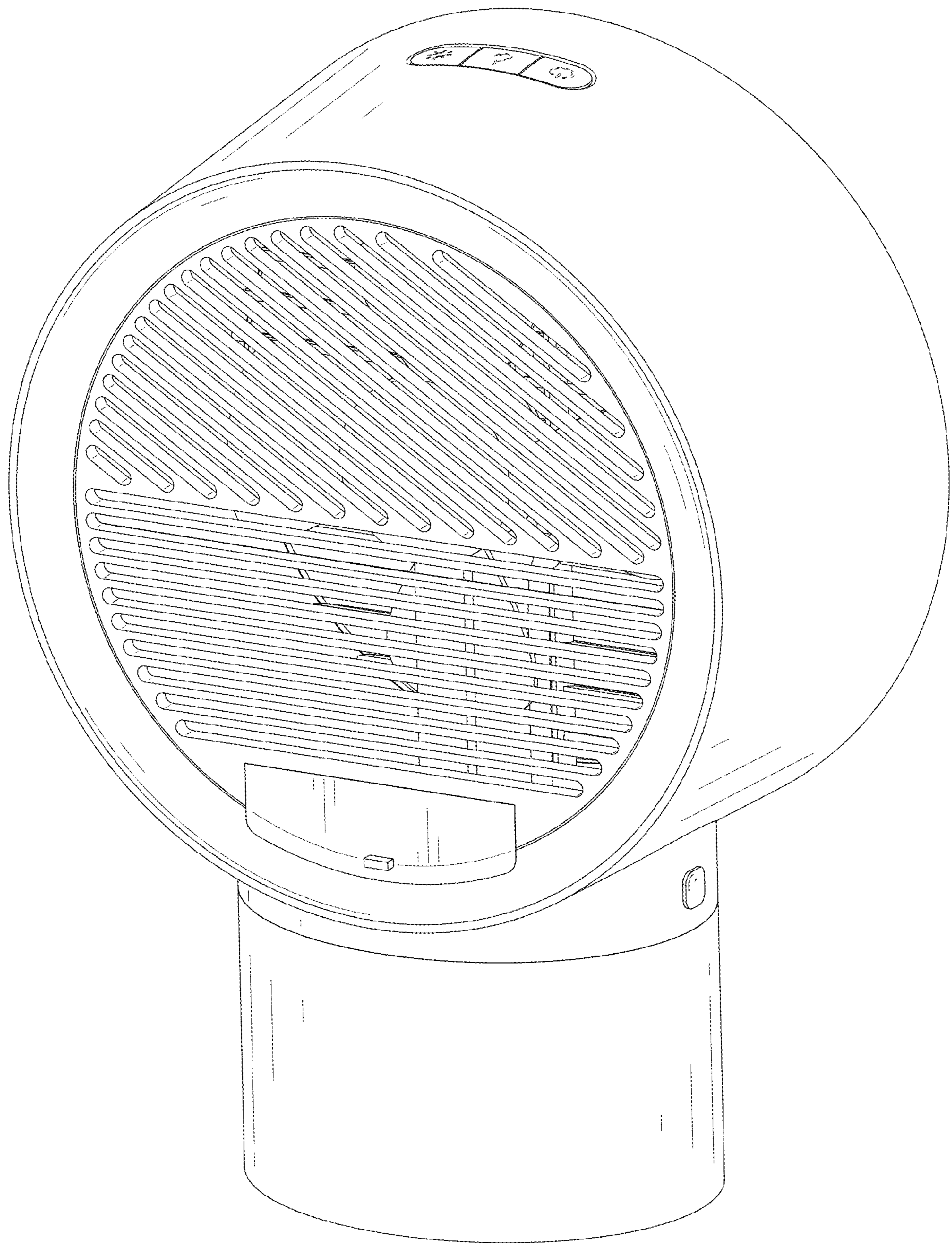


FIG. 2

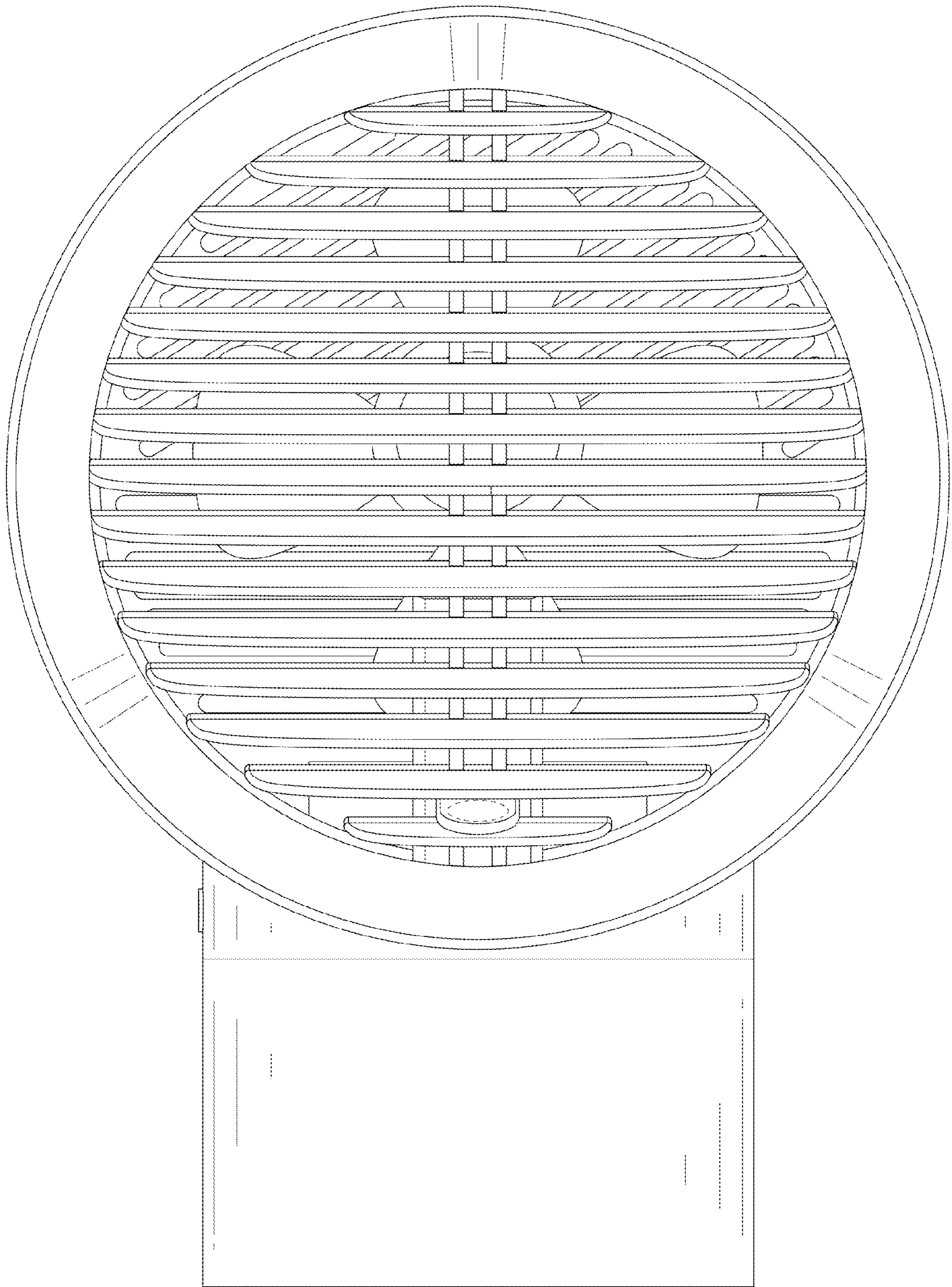


FIG. 3

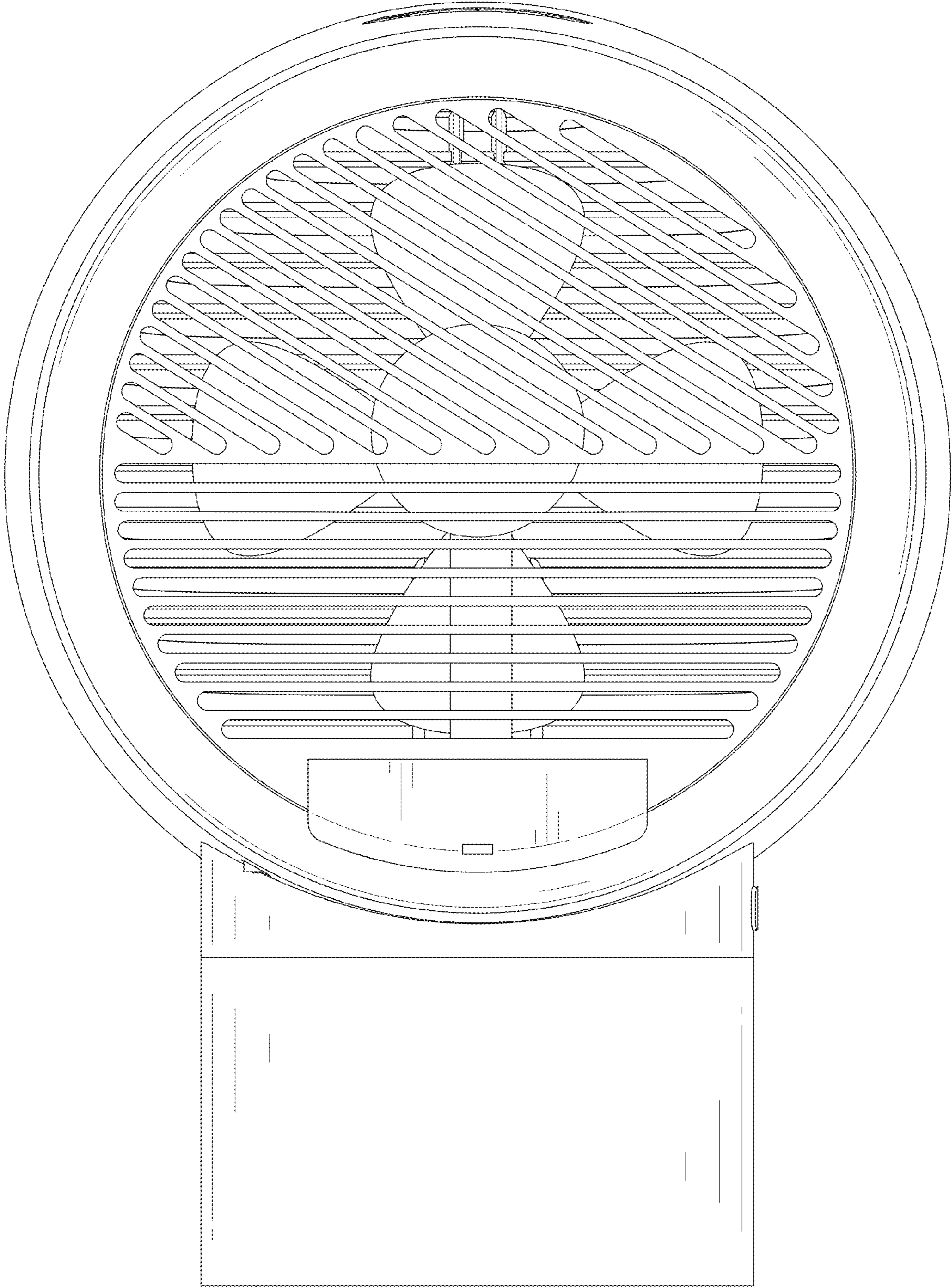


FIG. 4

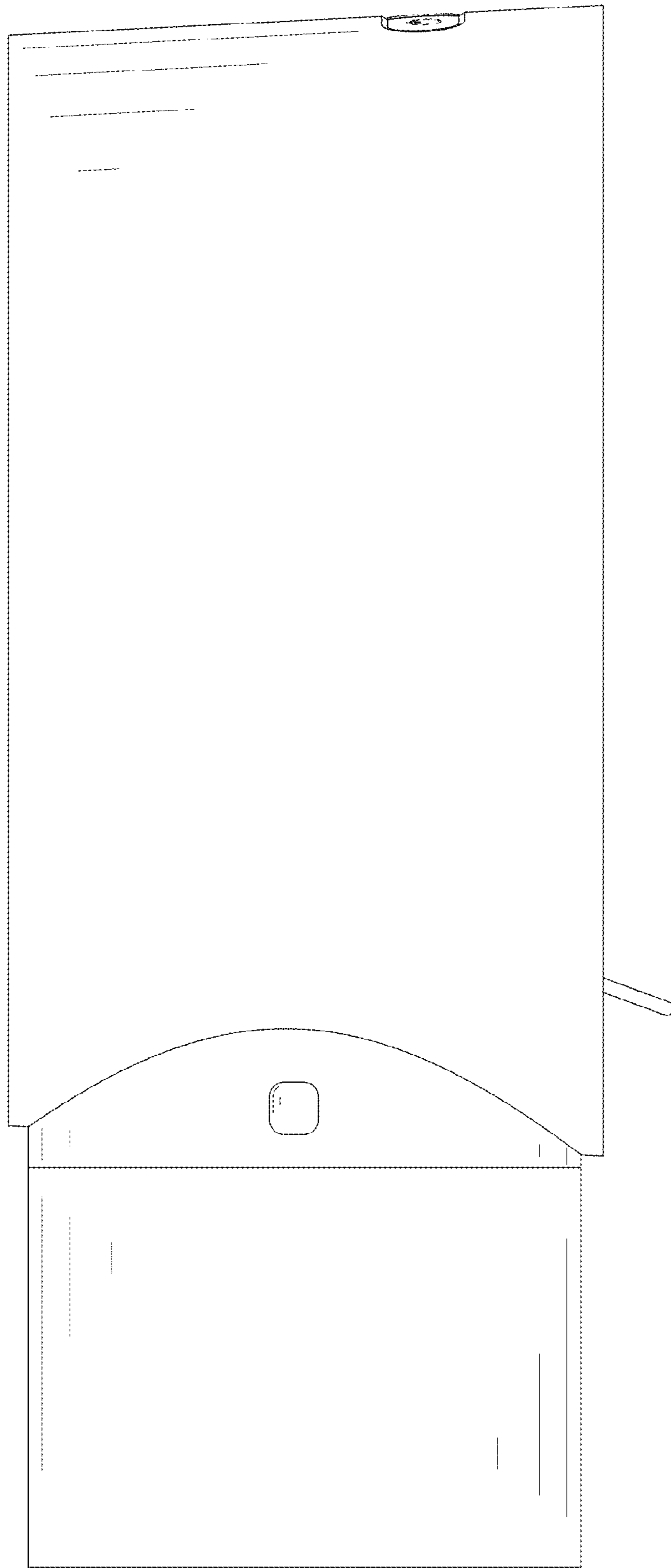


FIG. 5

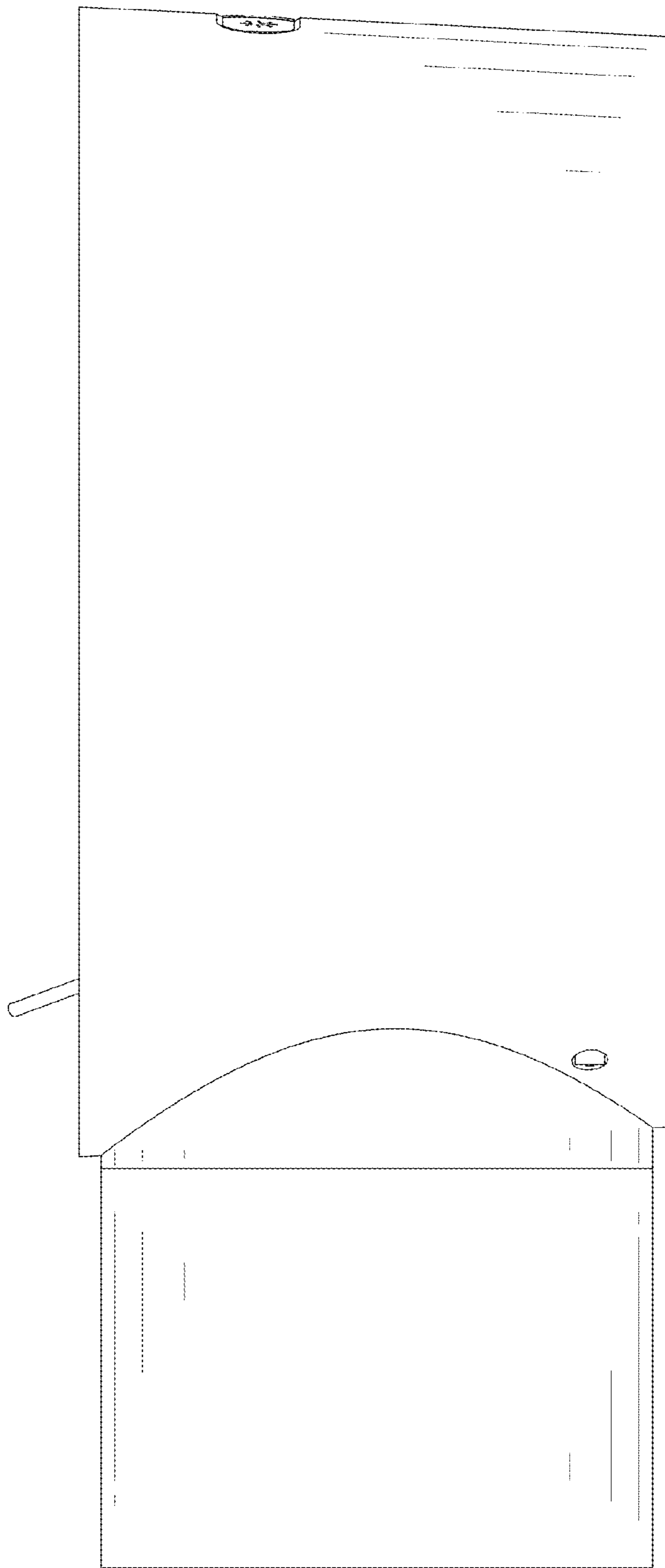


FIG. 6

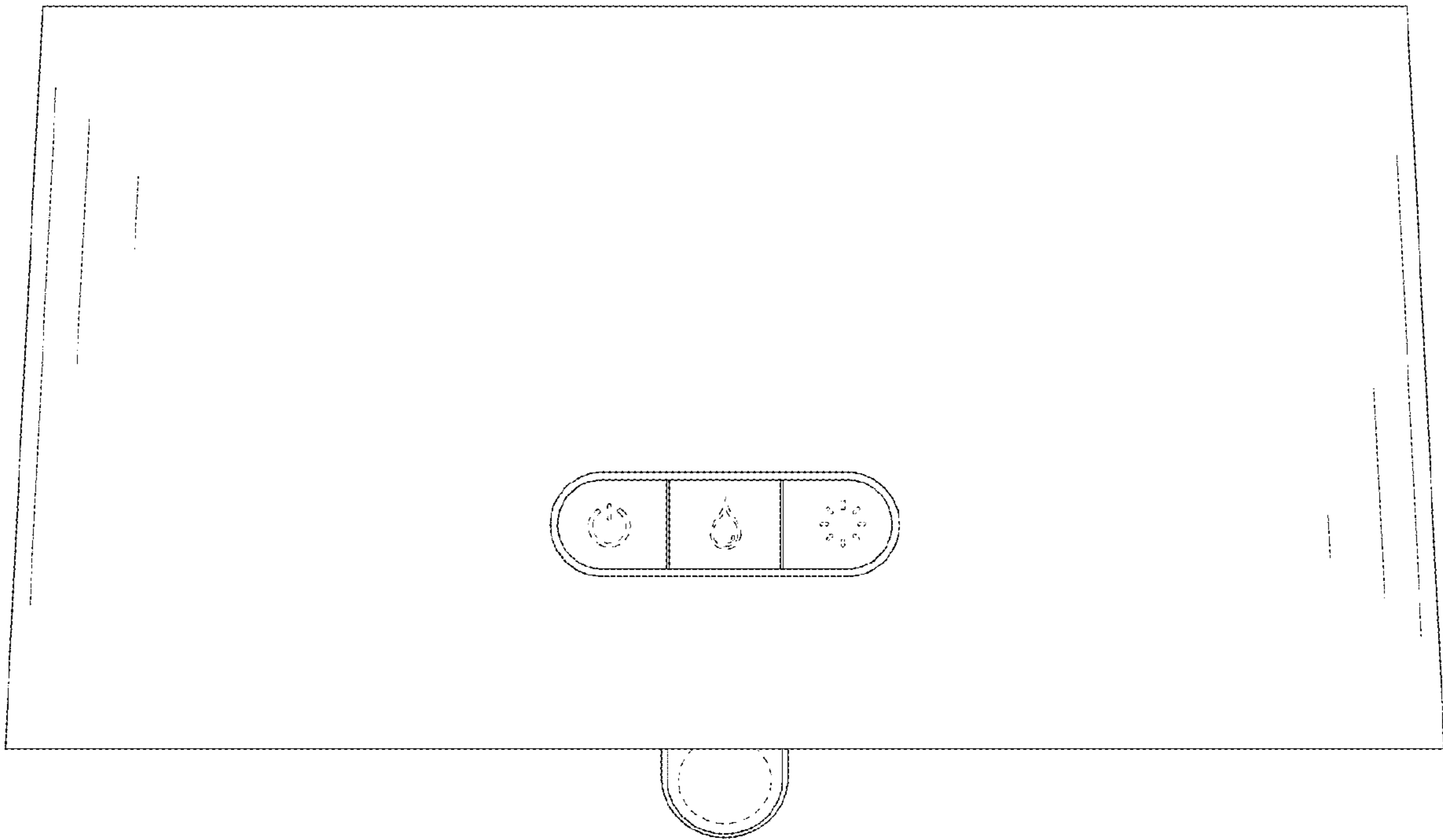


FIG. 7



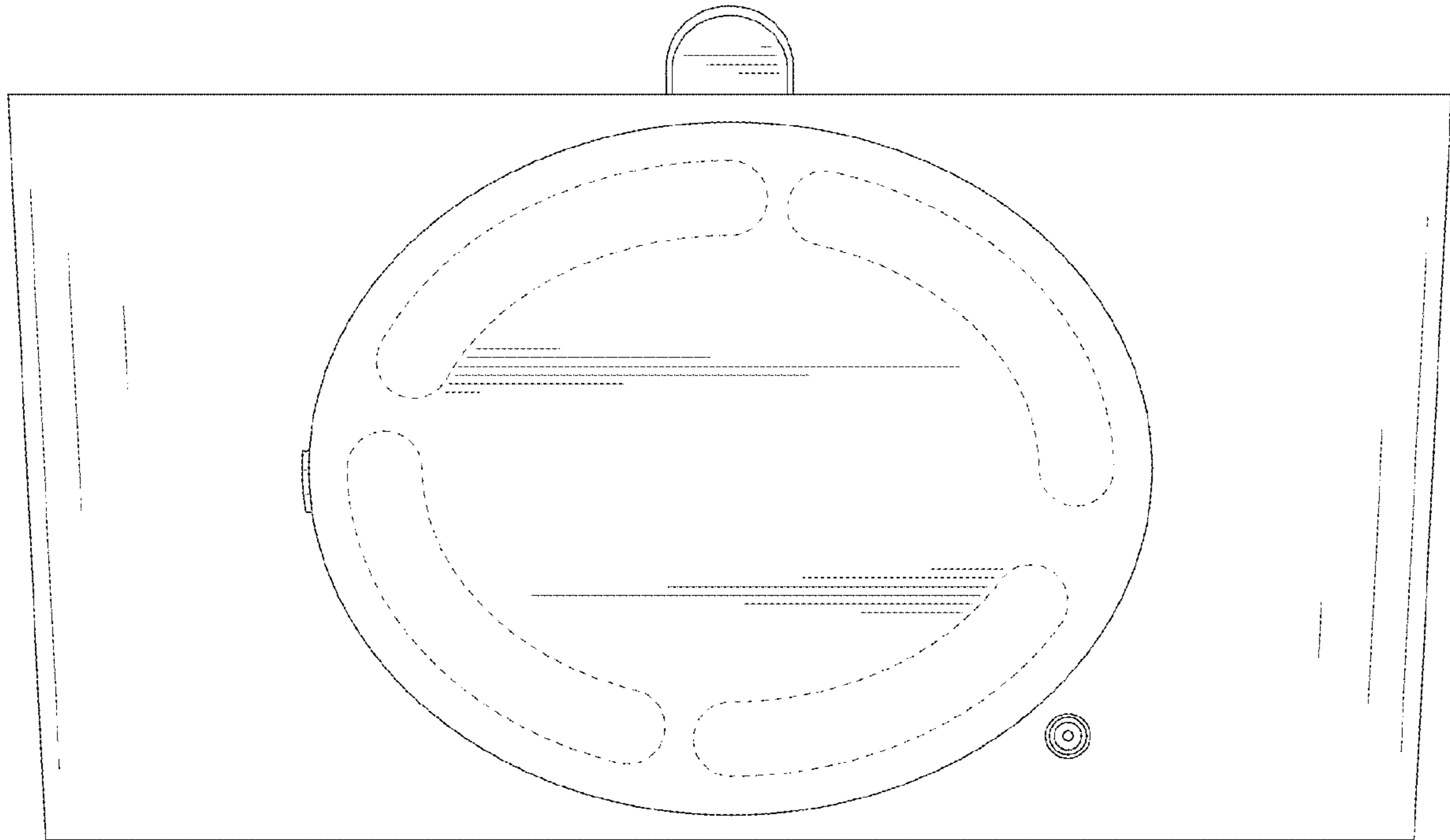


FIG. 8