



US00D908857S

(12) **United States Design Patent**  
**Cao**

(10) **Patent No.:** **US D908,857 S**

(45) **Date of Patent:** **\*\* Jan. 26, 2021**

(54) **FAN**

(71) Applicant: **Guohang Cao**, Shenzhen (CN)

(72) Inventor: **Guohang Cao**, Shenzhen (CN)

(\*\*) Term: **15 Years**

(21) Appl. No.: **29/744,198**

(22) Filed: **Jul. 28, 2020**

(51) **LOC (13) Cl.** ..... **23-04**

(52) **U.S. Cl.**  
USPC ..... **D23/380**

(58) **Field of Classification Search**  
USPC ..... D23/332, 370, 380, 381, 382, 377, 379,  
D23/385, 411  
CPC ..... F04D 25/088; F04D 25/08; F04D 25/06;  
F21V 33/0096  
See application file for complete search history.

(56) **References Cited**

**U.S. PATENT DOCUMENTS**

D464,420 S 10/2002 Tolar  
6,666,647 B1\* 12/2003 Trask ..... F04D 25/08  
224/258

D851,060 S \* 6/2019 Lu ..... D14/205  
D862,679 S \* 10/2019 Zhou ..... D23/380  
D903,086 S \* 11/2020 Liu ..... D23/370  
D903,087 S \* 11/2020 Zhou ..... D23/370  
2017/0370596 A1\* 12/2017 Lee ..... A41D 13/0025  
2020/0187574 A1 6/2020 Te Hsiang

\* cited by examiner

*Primary Examiner* — Janice Hallmark

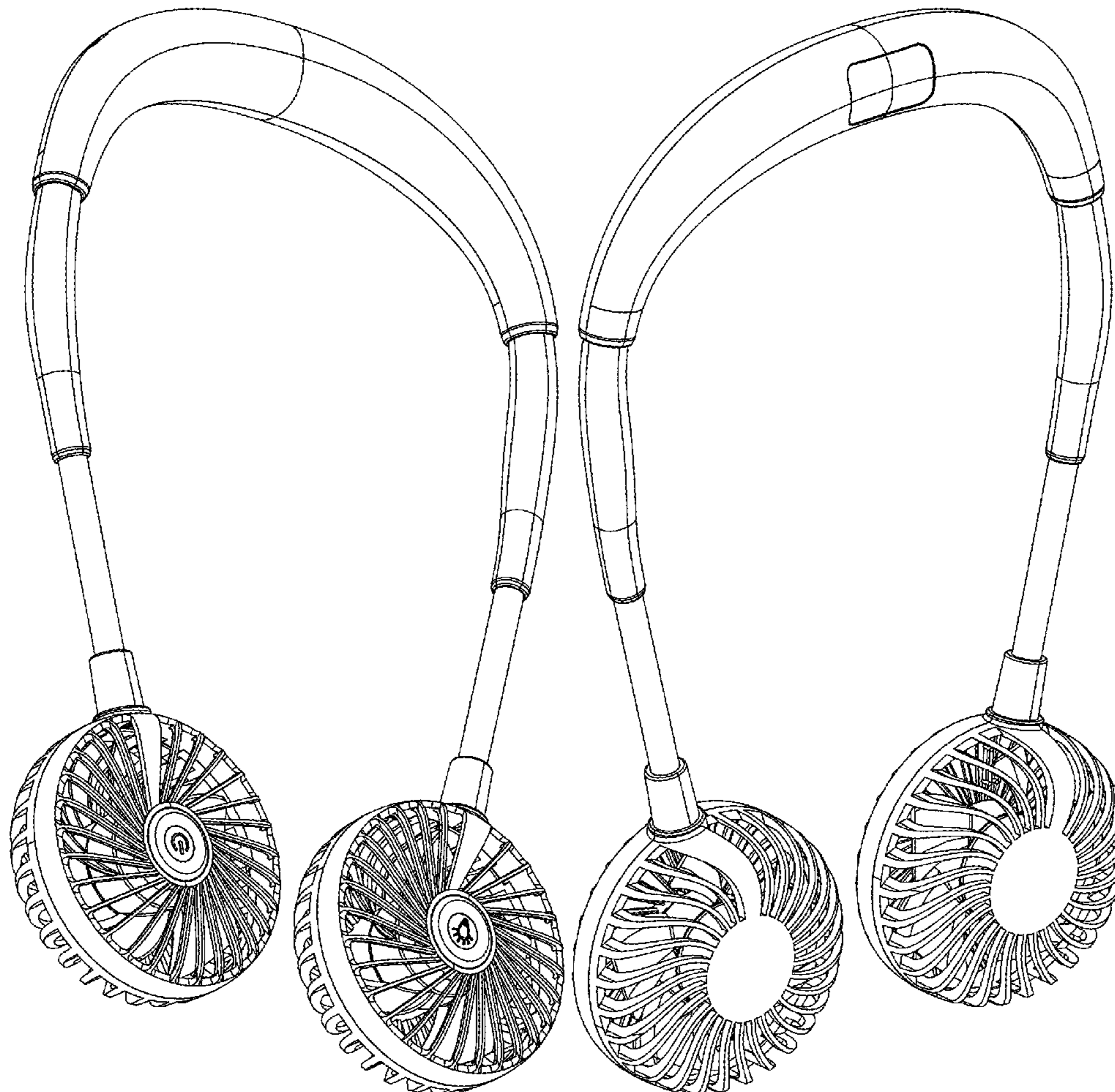
(57) **CLAIM**

The ornamental design for a fan, as shown and described.

**DESCRIPTION**

FIG. 1 is a perspective view of a fan showing my new design;  
FIG. 2 is another perspective view thereof;  
FIG. 3 is a front elevational view thereof;  
FIG. 4 is a rear elevational view thereof;  
FIG. 5 is a left side elevational view thereof;  
FIG. 6 is a right side elevational view thereof;  
FIG. 7 is a top plan view thereof; and,  
FIG. 8 is a bottom plan view thereof.

**1 Claim, 8 Drawing Sheets**



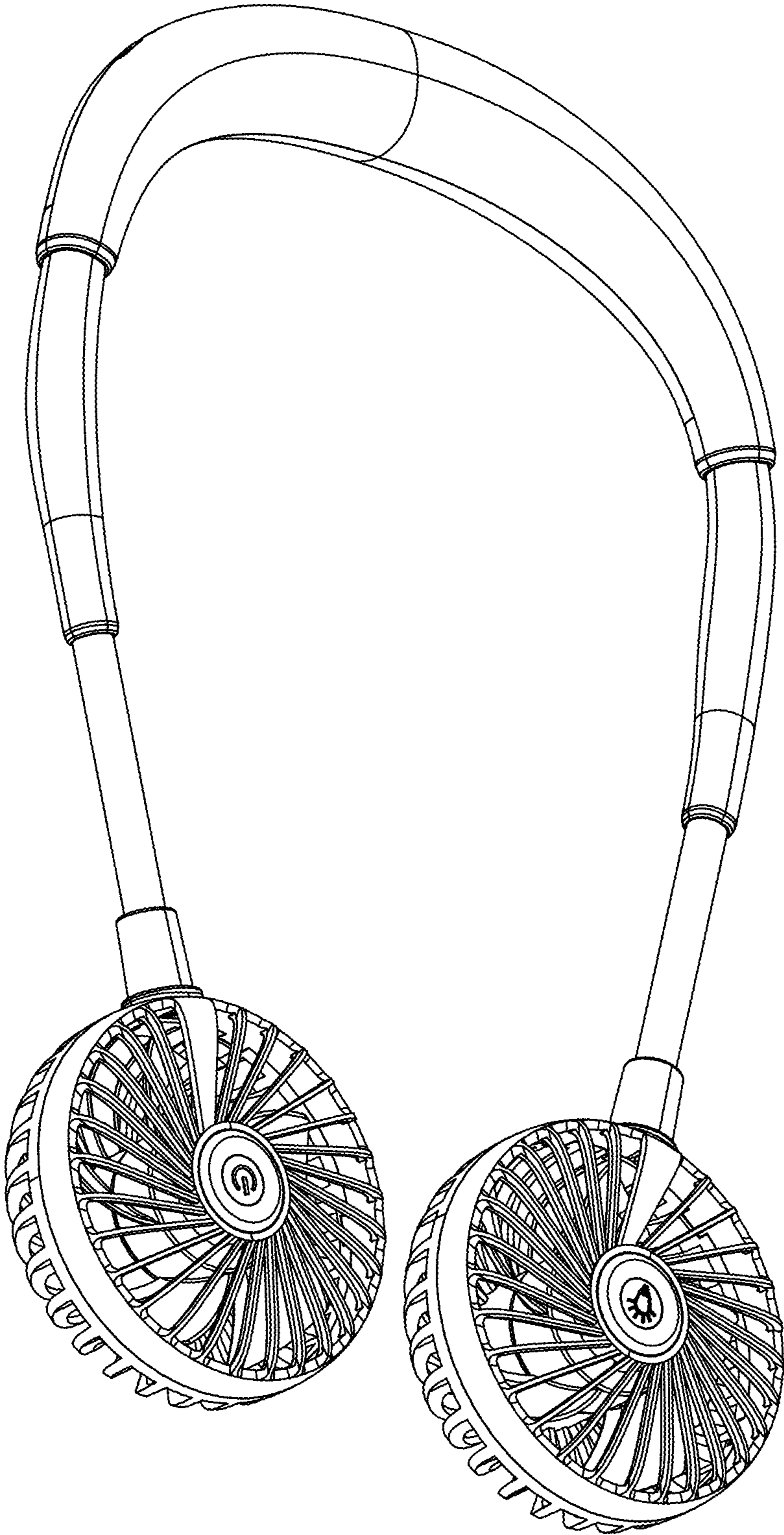


FIG. 1



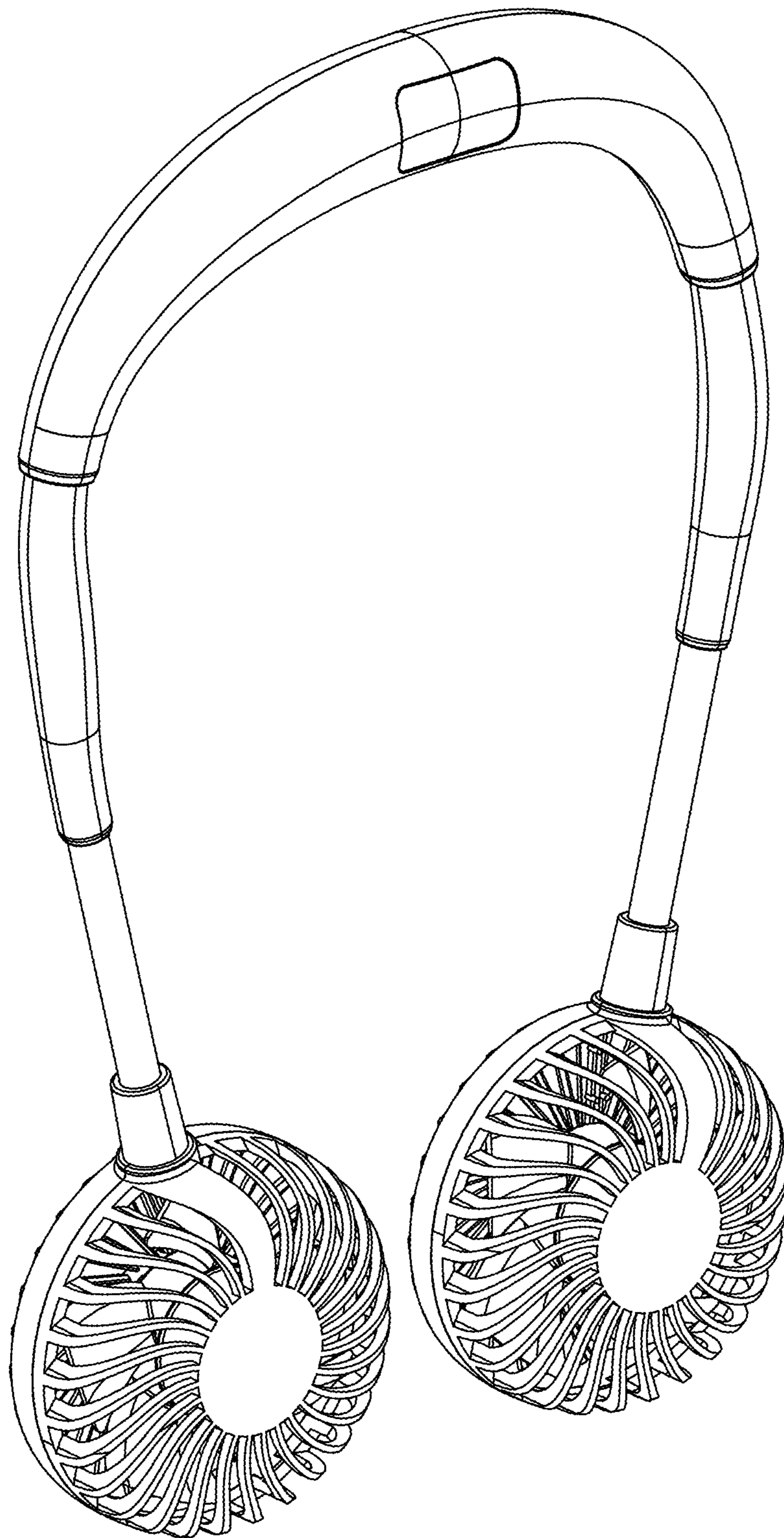


FIG. 2

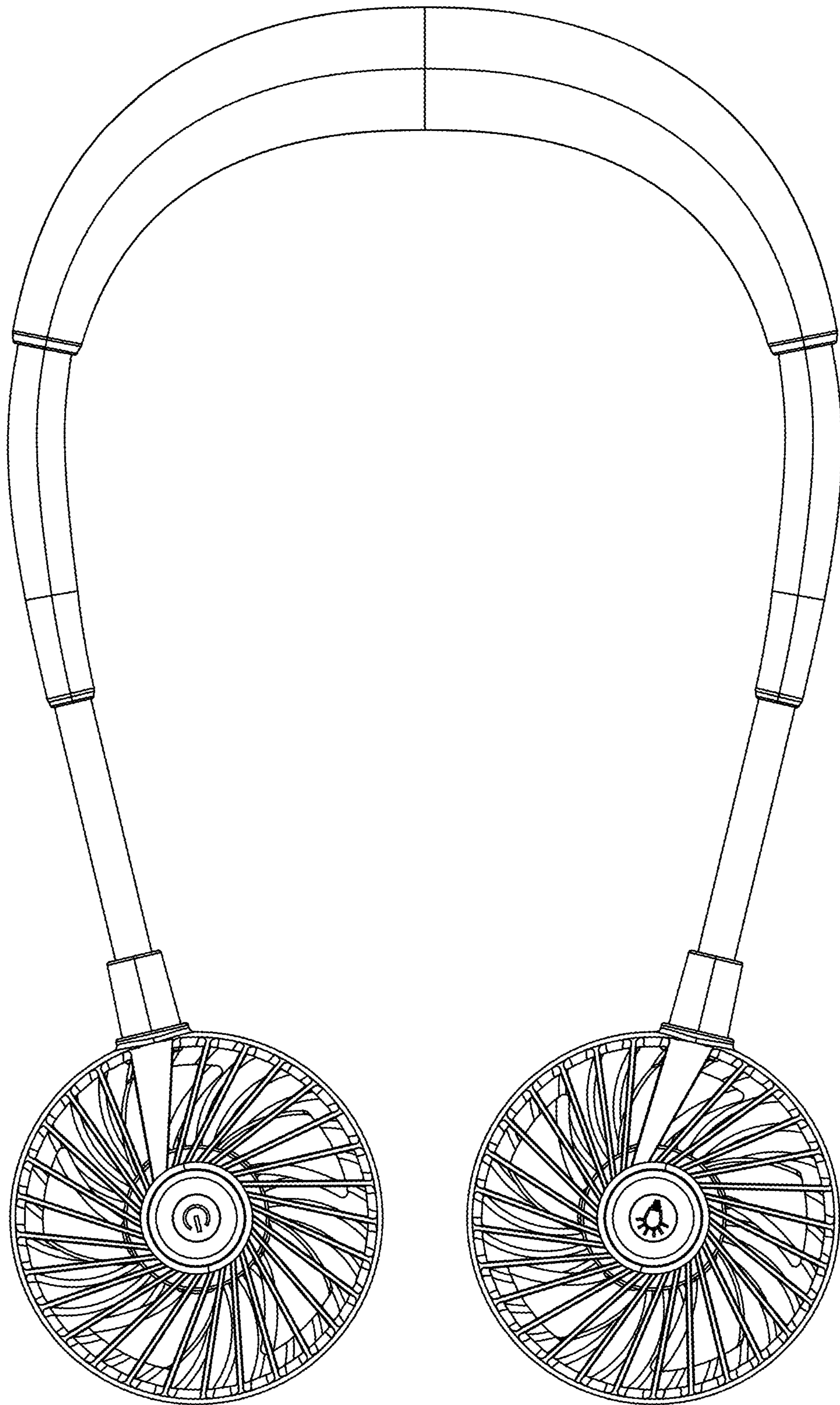


FIG. 3



FIG. 4

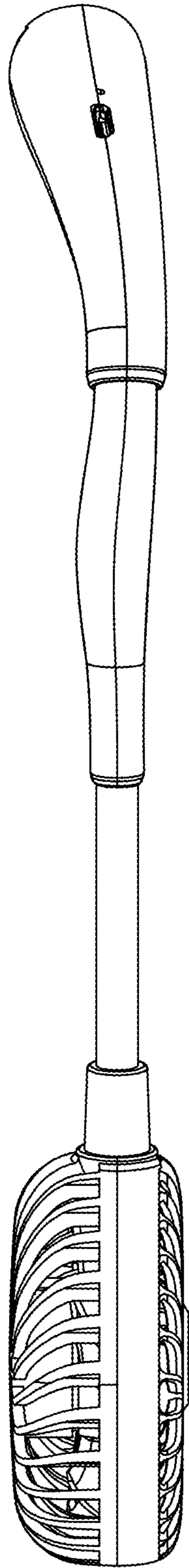


FIG. 5



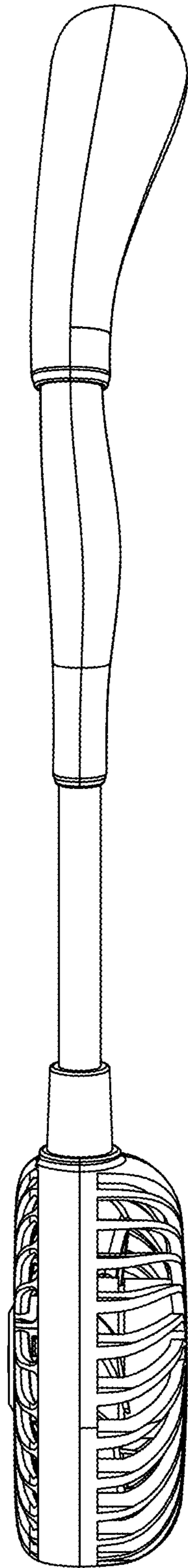


FIG. 6

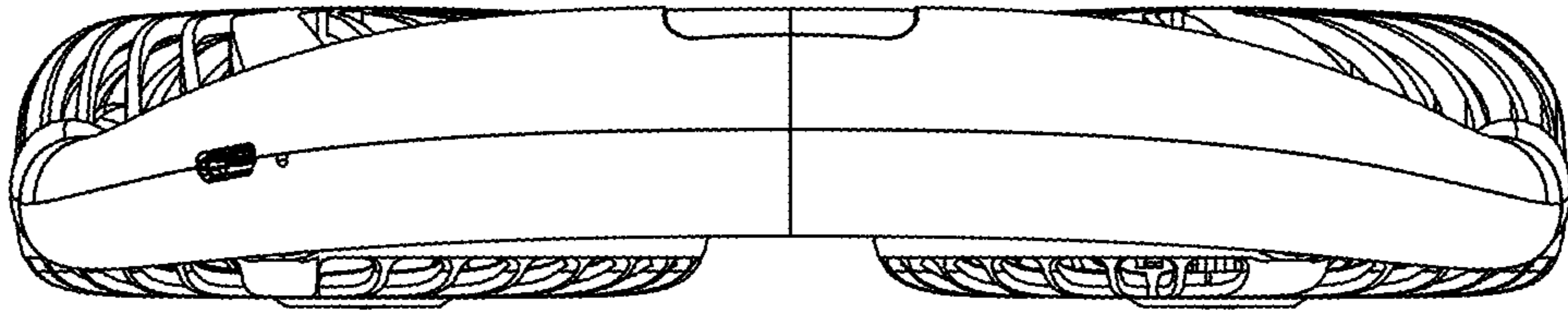


FIG. 7



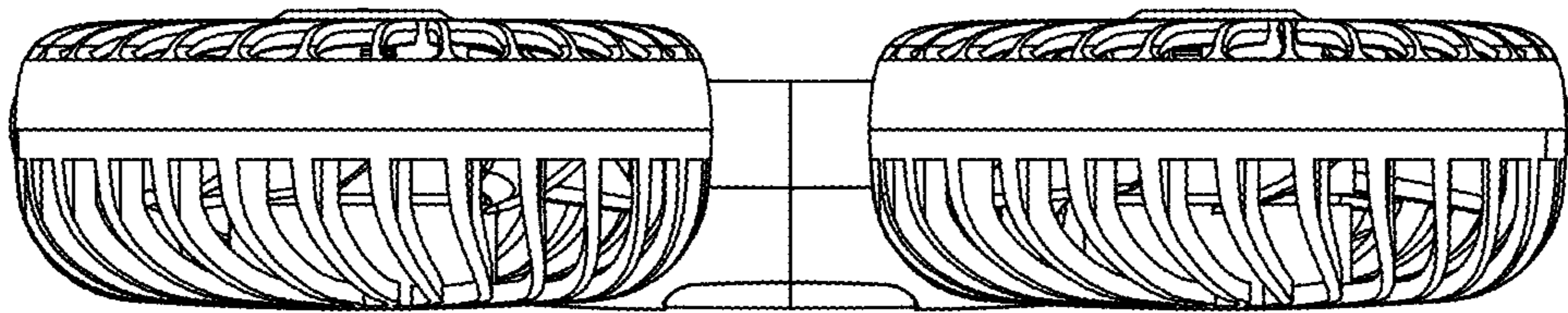


FIG. 8