



US00D908856S

(12) **United States Design Patent**
Graus Ferrer et al.

(10) **Patent No.:** **US D908,856 S**

(45) **Date of Patent:** **** Jan. 26, 2021**

- (54) **DIFFUSING EVAPORATOR OF ACTIVE SUBSTANCES**
- (71) Applicant: **ZOBELE HOLDING SPA**, Trento (IT)
- (72) Inventors: **Alba Graus Ferrer**, Barcelona (ES);
Joaquim Llorente Alonso, Barcelona (ES)
- (73) Assignee: **ZOBELE HOLDING SPA**

(**) Term: **15 Years**

(21) Appl. No.: **29/672,531**

(22) Filed: **Dec. 6, 2018**

(30) **Foreign Application Priority Data**

Jun. 8, 2018 (ES) 0528447-4

(51) **LOC (13) Cl.** **23-04**

(52) **U.S. Cl.**
USPC **D23/366**

(58) **Field of Classification Search**
USPC D23/201, 208, 355-369, 386
CPC A61L 9/02; A61L 9/03; A61L 9/12; A61L
9/035; A61L 9/125
See application file for complete search history.

(56) **References Cited**

U.S. PATENT DOCUMENTS

- D350,113 S * 8/1994 Nagele D13/110
- D374,924 S * 10/1996 Cramer 261/DIG. 65

- D449,030 S * 10/2001 Baxter D13/110
- D478,546 S * 8/2003 Andre D13/110
- D492,250 S * 6/2004 Alviar D13/110
- D503,679 S * 4/2005 Andre D13/110
- D634,269 S * 3/2011 Griffin, Jr. D13/103
- D658,123 S * 4/2012 Andre D13/110
- D662,473 S * 6/2012 Andre D13/110
- D726,690 S * 4/2015 Andre D14/217
- D760,721 S * 7/2016 Akana D14/434
- D825,047 S * 8/2018 Brooks D23/366
- D849,922 S * 5/2019 Gobber D23/366

* cited by examiner

Primary Examiner — Sheryl Lane

Assistant Examiner — Calvin E Vansant

(74) *Attorney, Agent, or Firm* — Ostrolenk Faber LLP

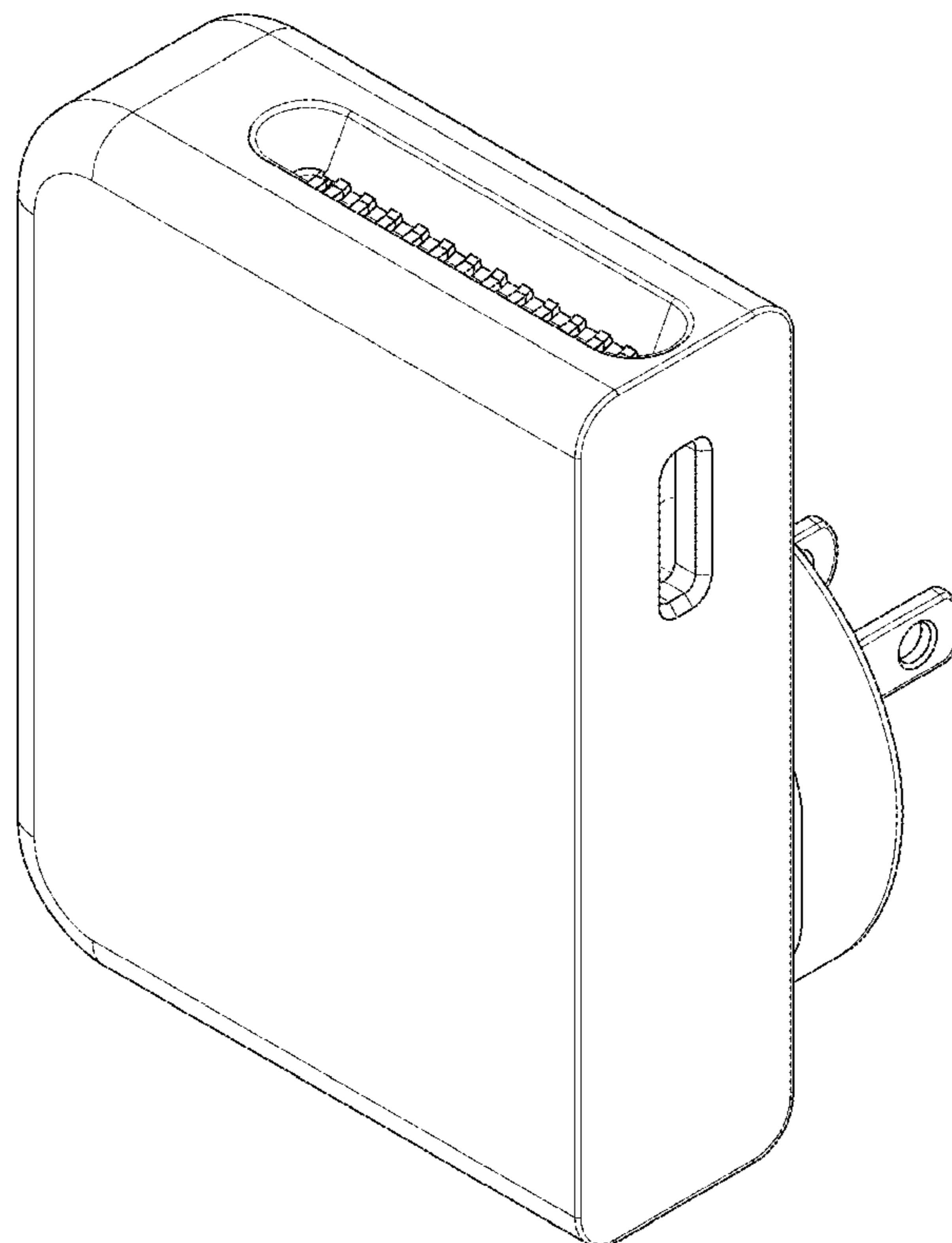
(57) **CLAIM**

The ornamental design for a diffusing evaporator of active substances, as shown and described.

DESCRIPTION

FIG. 1 is a front, top and left side perspective view illustration of a diffusing evaporator of active substances, according to the new design;
FIG. 2 is a front view illustration thereof;
FIG. 3 is a bottom view illustration thereof;
FIG. 4 is a right side view illustration thereof;
FIG. 5 is a top view illustration thereof; and,
FIG. 6 is a left side view illustration thereof.
The broken lines represent portions of the diffusing evaporator of active substances and form no part of the claimed design.

1 Claim, 6 Drawing Sheets



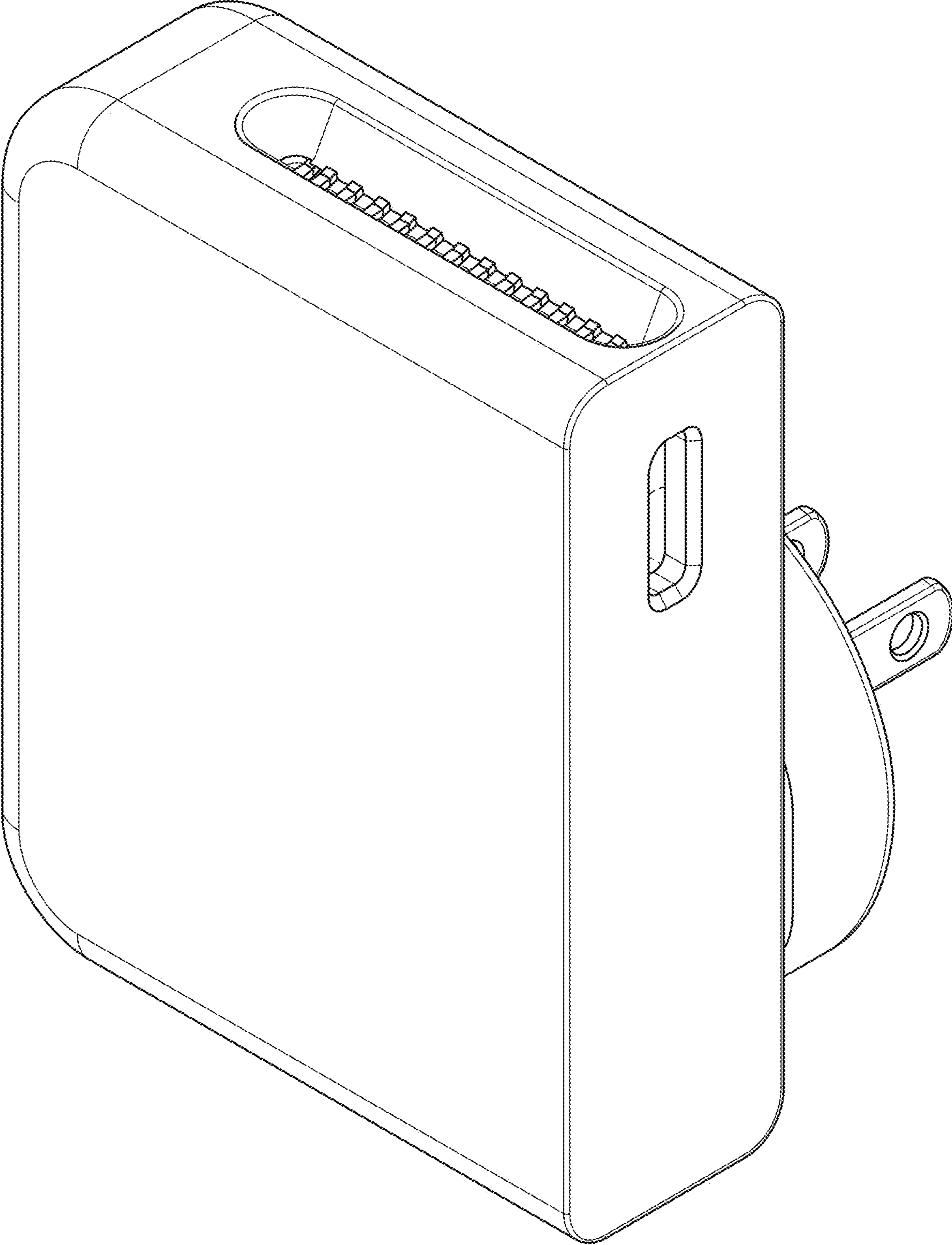


FIG. 1

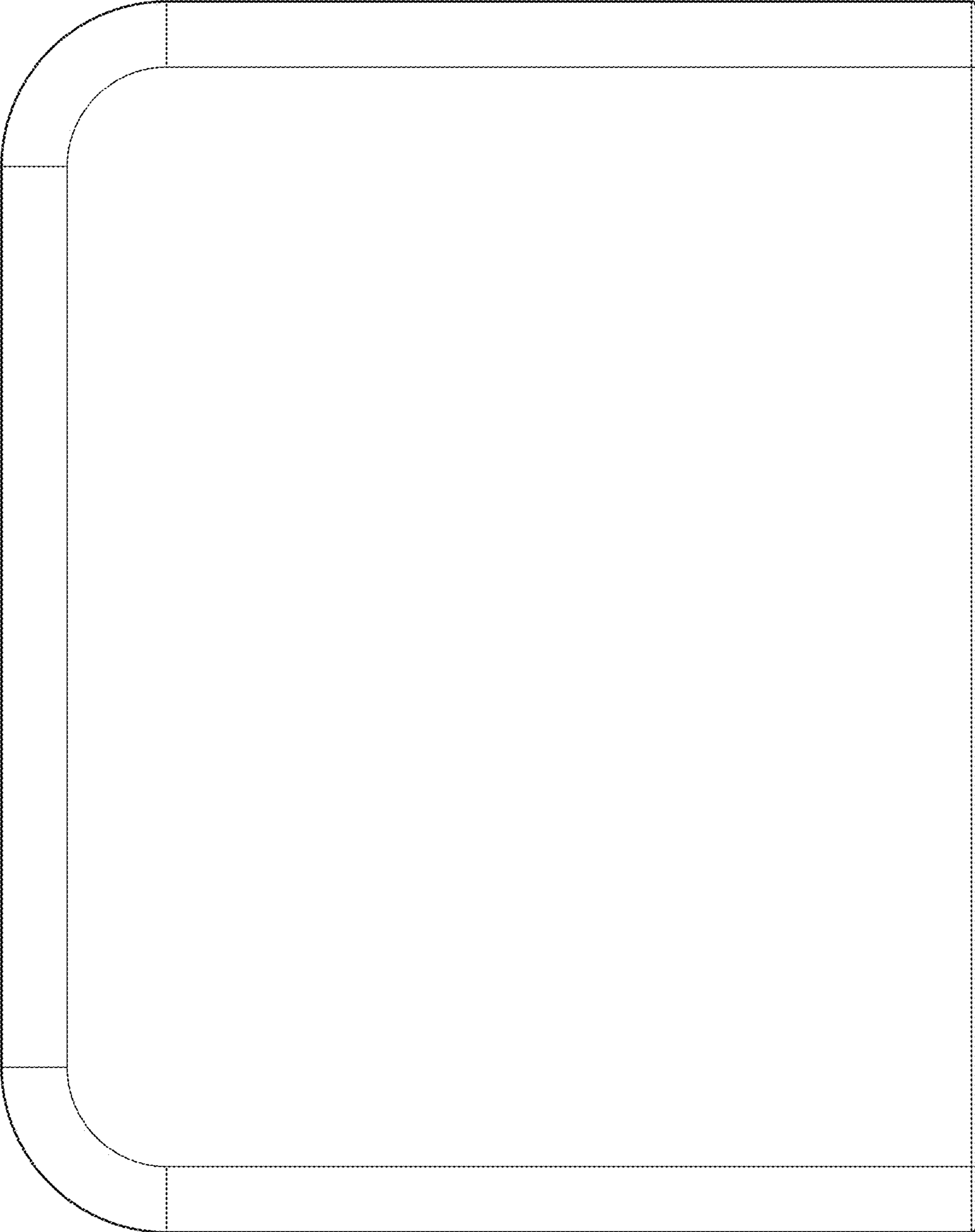


FIG. 2

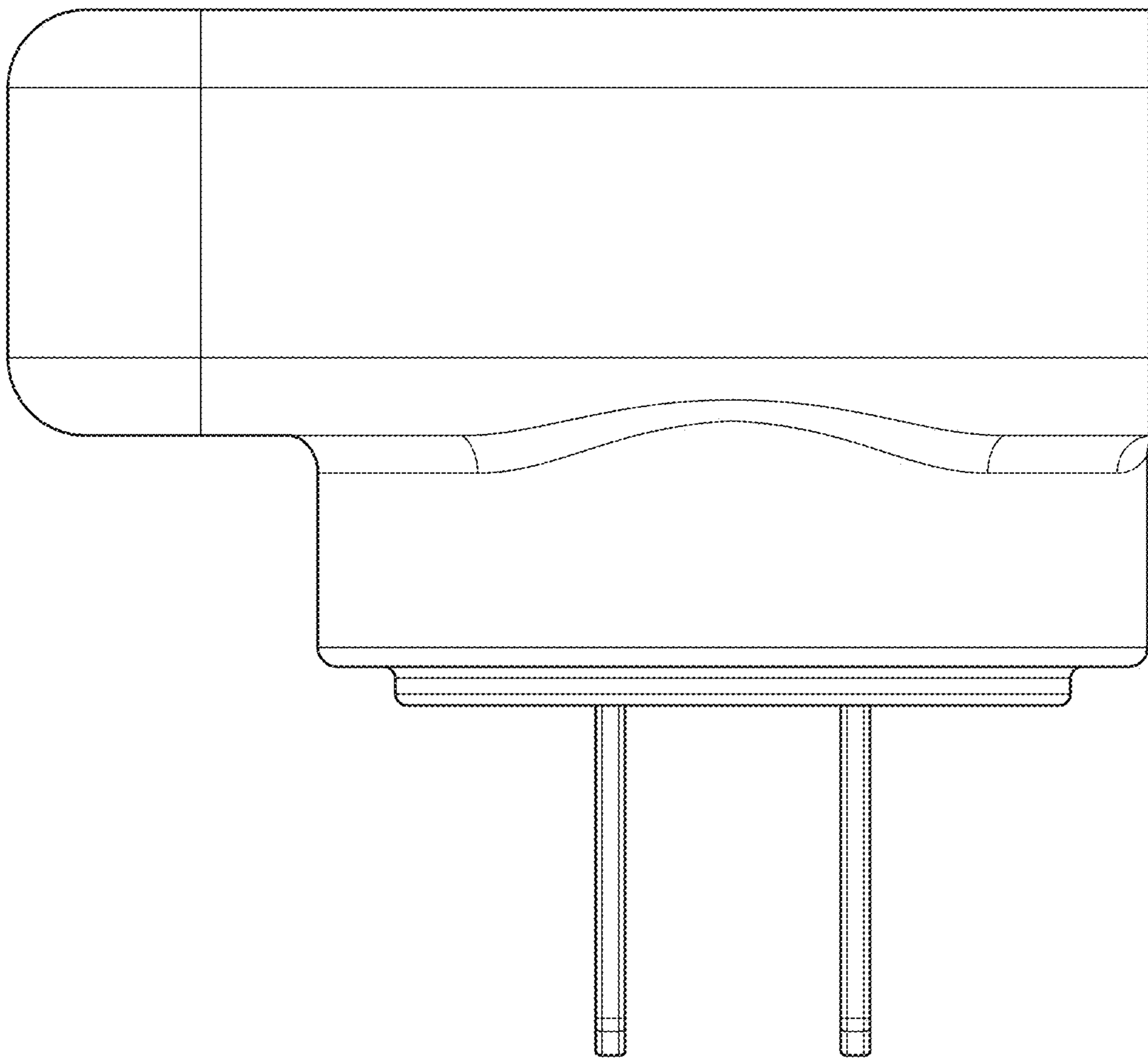


FIG. 3

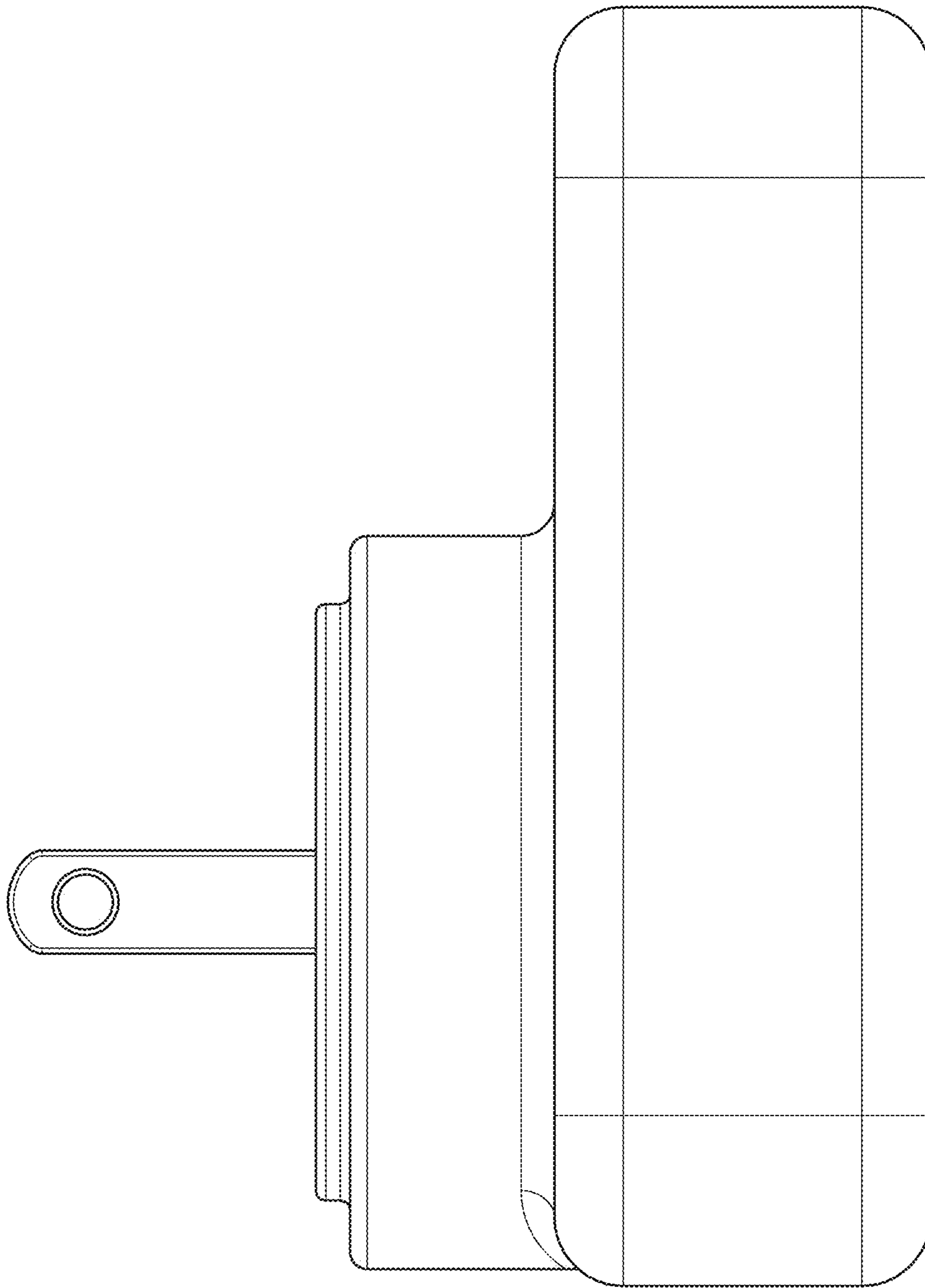


FIG. 4

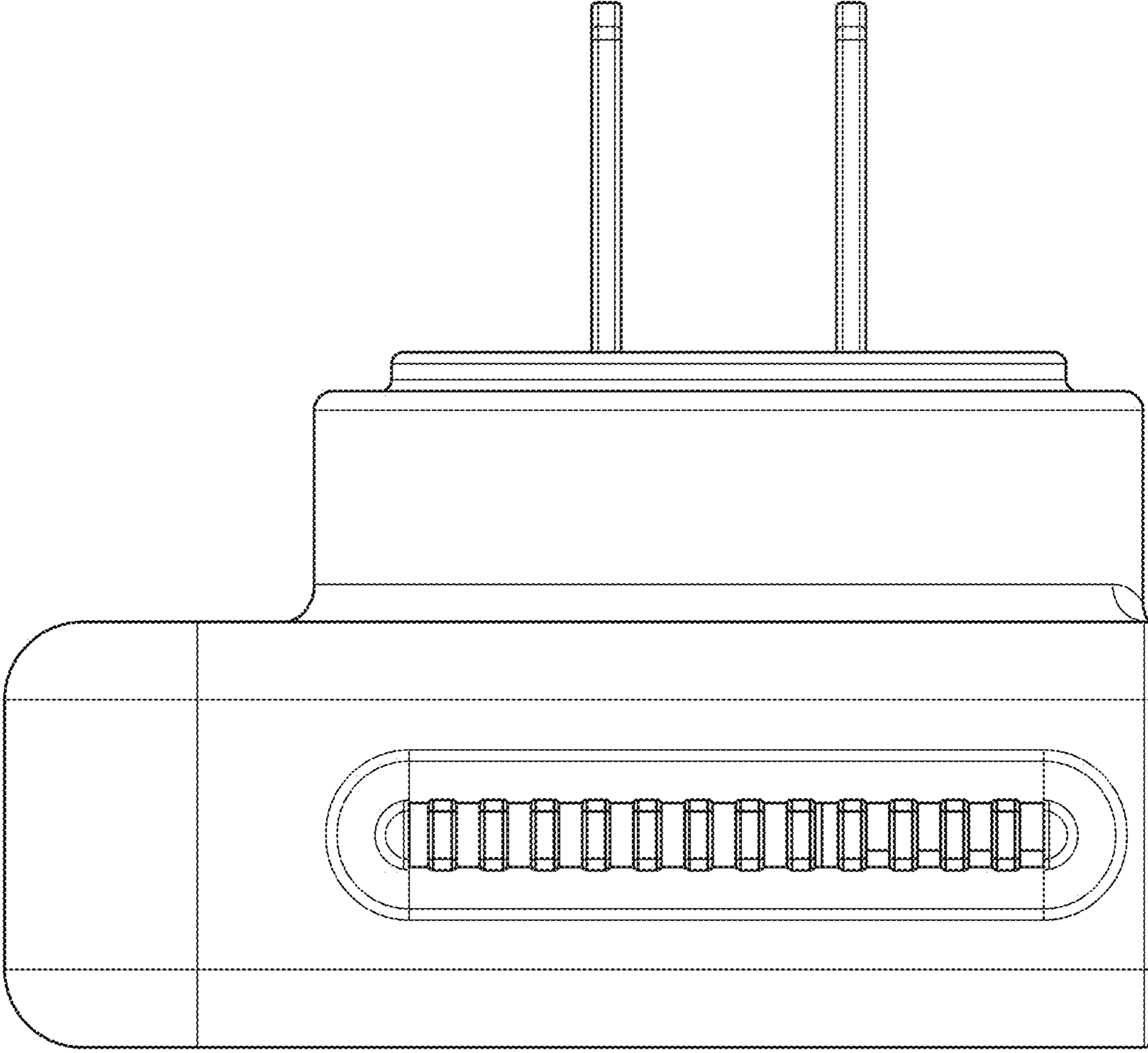


FIG. 5

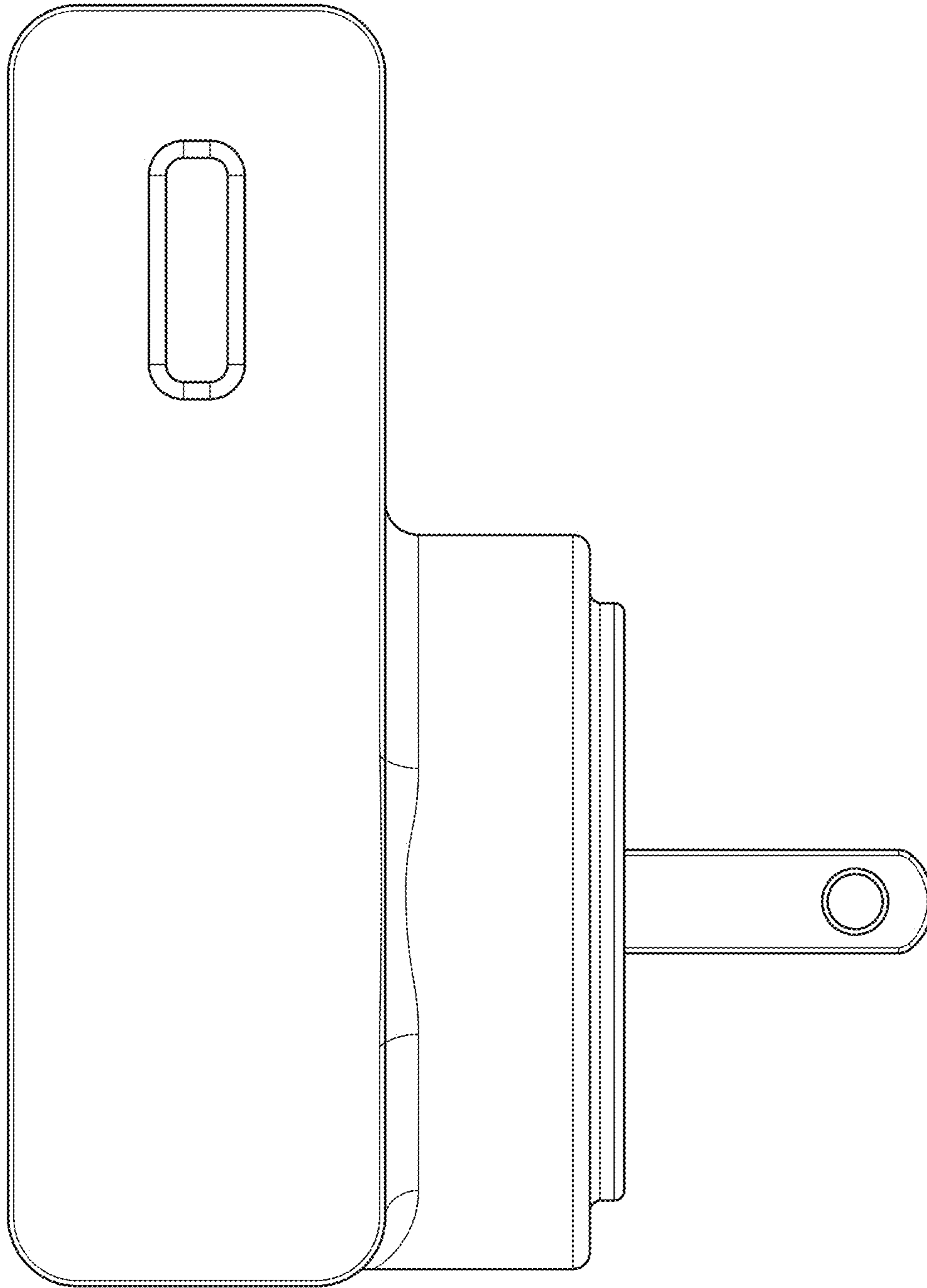


FIG. 6