



US00D908854S

(12) **United States Design Patent** (10) **Patent No.:** **US D908,854 S**
Fitzsimmons et al. (45) **Date of Patent:** **** Jan. 26, 2021**

(54) **SILENCER SOUND FILTER FOR DUST COLLECTOR**

(71) Applicants: **John J. Fitzsimmons**, Clay, NY (US);
Robert M. Witter, Englewood, FL (US); **Jeffrey Hill**, Cicero, NY (US)

(72) Inventors: **John J. Fitzsimmons**, Clay, NY (US);
Robert M. Witter, Englewood, FL (US); **Jeffrey Hill**, Cicero, NY (US)

(73) Assignee: **Oneida Air Systems, Inc.**, Syracuse, NY (US)

(**) Term: **15 Years**

(21) Appl. No.: **29/660,652**

(22) Filed: **Aug. 22, 2018**

(51) **LOC (13) Cl.** **23-04**

(52) **U.S. Cl.**
USPC **D23/364**

(58) **Field of Classification Search**
USPC D23/355–366, 352, 369, 332, 333, 335,
D23/336, 342, 351; 422/120, 122;
55/356, 473, 504; 96/971; 261/DIG. 17,
261/DIG. 65, DIG. 88, DIG. 31
CPC .. A61L 9/16; A61L 9/22; B01D 47/00; B01D
47/027; B01D 2221/02; B01D 2259/4508;
B03C 3/155; B03C 3/368; F24F 3/16;
F24F 13/20; F24F 13/28
See application file for complete search history.

(56) **References Cited**

U.S. PATENT DOCUMENTS

D517,183 S * 3/2006 Huang D23/365
7,247,180 B1 7/2007 Hill

D661,789 S * 6/2012 Brown D23/366
D700,692 S * 3/2014 Engelhardt D23/360
D716,427 S * 10/2014 Lim D23/364
9,370,740 B2 6/2016 Hill et al.
D832,414 S * 10/2018 Sharma D23/364
D835,766 S * 12/2018 Chen D23/364
D846,106 S * 4/2019 Hu D23/366
D847,323 S * 4/2019 Gan D23/356
D849,218 S * 5/2019 Liang D23/356
D850,596 S * 6/2019 Wu D23/366
D854,134 S * 7/2019 Jessup D23/364
D857,868 S * 8/2019 Combs D23/365
D857,871 S * 8/2019 Shah D23/366

* cited by examiner

Primary Examiner — David G Muller

(74) *Attorney, Agent, or Firm* — Bernhard P. Molldrem, Jr.

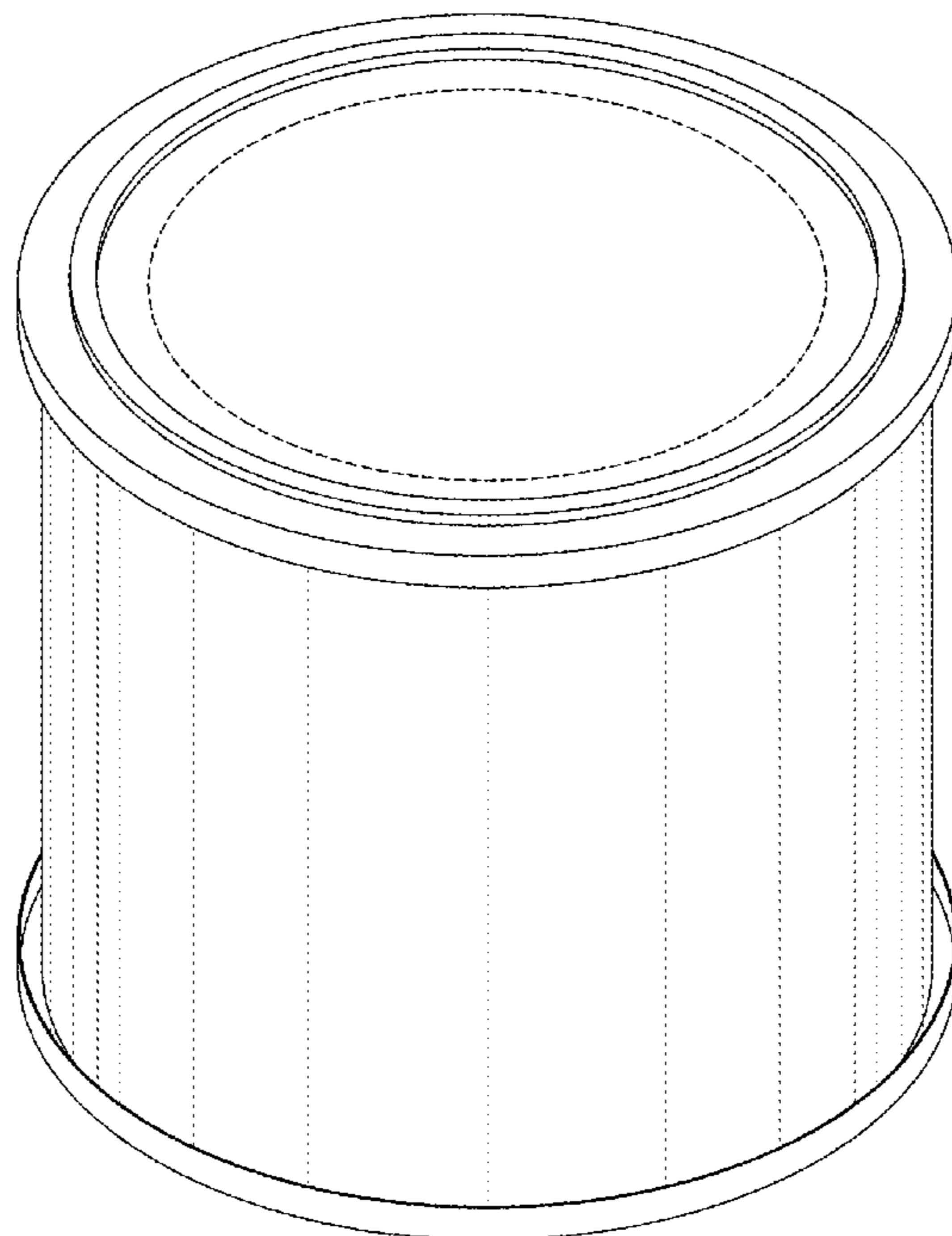
(57) **CLAIM**

The ornamental design for a silencer sound filter for dust collector, as shown and described.

DESCRIPTION

FIG. 1 is an isometric view of a silencer sound filter for a dust collector, showing our new design. FIG. 2 is a top view thereof; and, FIG. 3 is a front side elevation thereof, the rear, left and right elevations being substantially identical. The bottom of the silencer sound filter is plain and unadorned, and forms no part of our design. The interior of the silencer sound filter, indicated by areas enclosed in broken line, does not form a part of our design.

1 Claim, 2 Drawing Sheets



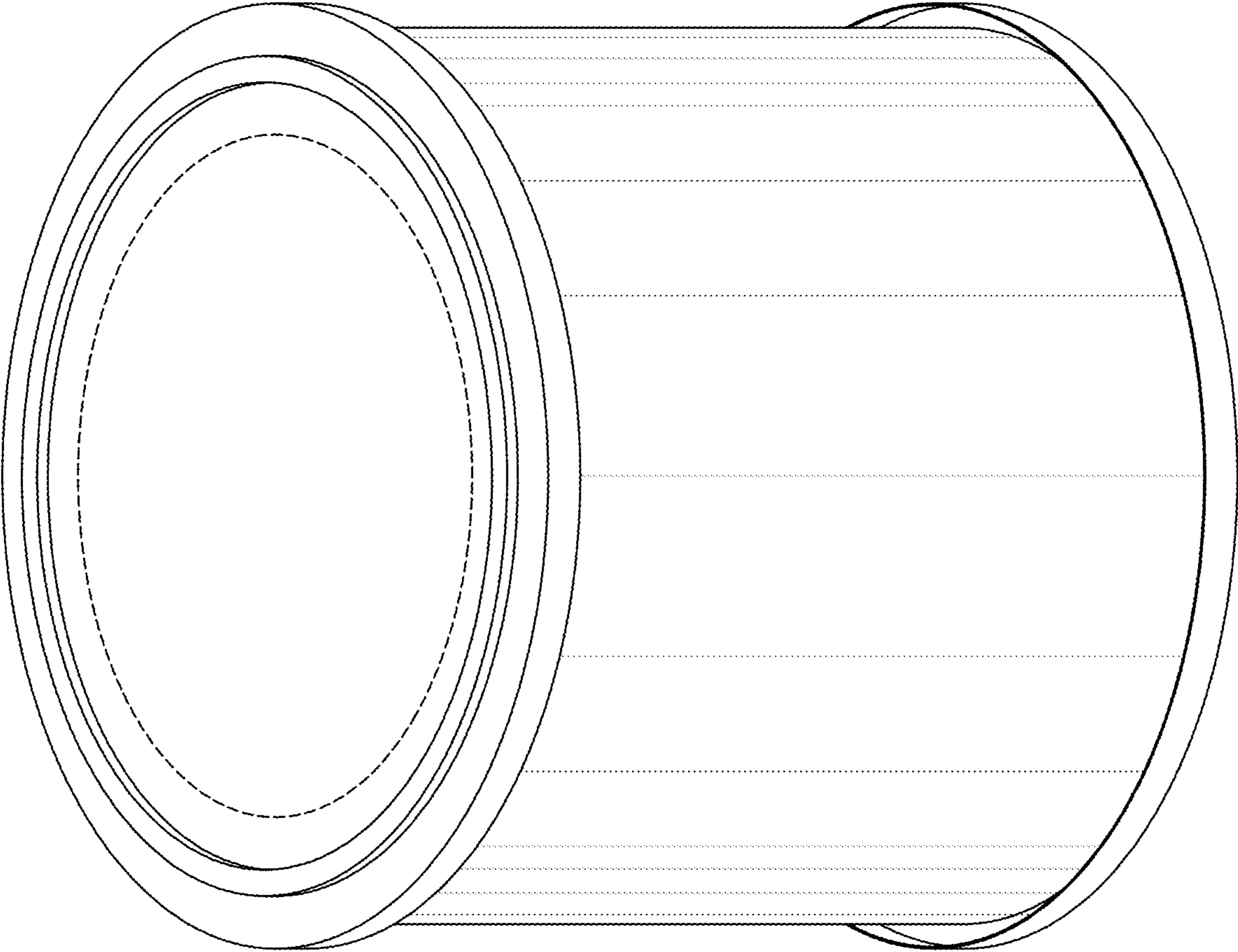


FIG. 1

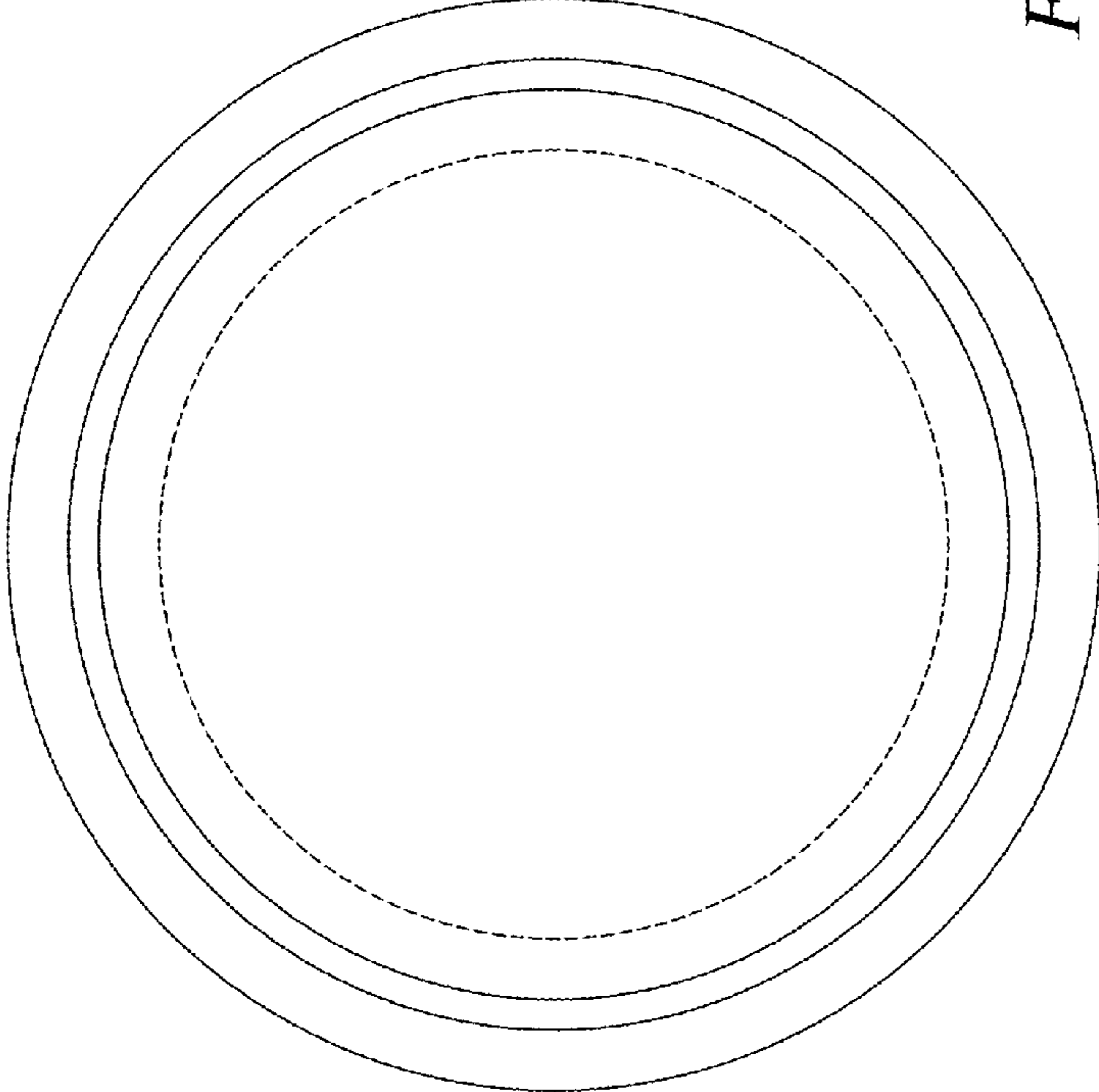


FIG. 2

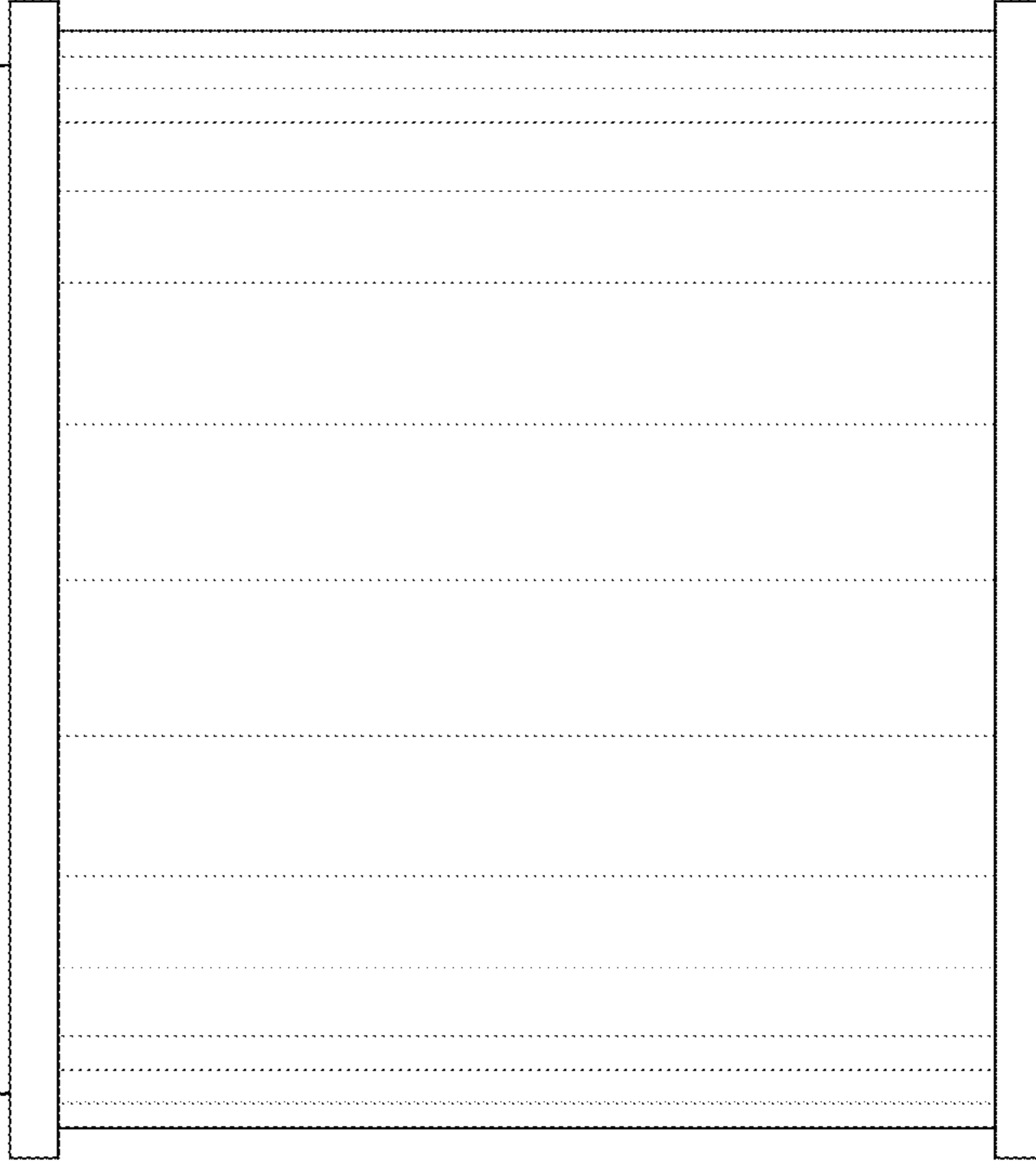


FIG. 3