



US00D908851S

(12) **United States Design Patent**  
**Lee et al.**

(10) **Patent No.: US D908,851 S**

(45) **Date of Patent: \*\* Jan. 26, 2021**

(54) **HAND WASHING STATION**

(71) Applicants: **Pin-Hsing Lee**, Taipei (TW); **Po-Chun Liu**, Taipei (TW); **Wen-Yi Chiu**, Taipei (TW)

(72) Inventors: **Pin-Hsing Lee**, Taipei (TW); **Po-Chun Liu**, Taipei (TW); **Wen-Yi Chiu**, Taipei (TW)

(73) Assignee: **COMPAL ELECTRONICS, INC.**, Taipei (TW)

(\*\*) Term: **15 Years**

(21) Appl. No.: **29/669,238**

(22) Filed: **Nov. 6, 2018**

(51) **LOC (13) Cl.** ..... **23-02**

(52) **U.S. Cl.**  
USPC ..... **D23/284**; D6/553

(58) **Field of Classification Search**  
USPC ..... D6/308, 310, 311, 314, 406.6, 407, 663, D6/672, 674, 675, 675.1, 700, 553; D11/131; D14/217, 253, 451, 447; D18/4.6; D19/91; D20/10, 43; D21/790; D23/271, 284, 285  
CPC ..... A47B 23/042; A47B 5/00; A47B 5/04; C02F 9/005; E03C 1/044; E03C 1/048; E03C 1/057; E03C 2001/0417  
See application file for complete search history.

(56) **References Cited**

**U.S. PATENT DOCUMENTS**

D141,059 S \* 5/1945 Siegel ..... D6/314  
2,409,814 A \* 10/1946 Vargish ..... A47G 1/141  
40/745  
3,696,762 A \* 10/1972 Holdham ..... A47B 5/04  
108/134

(Continued)

**OTHER PUBLICATIONS**

“Vangadgets Mobile Hand Wash Sink Unit.” Found online Sep. 9, 2020 at www.amazon.co.uk. Product first available Sep. 27, 2011. Retrieved from URL: https://tinyurl.com/y67s7bky (Year: 2011).\*

(Continued)

*Primary Examiner* — Mary Ann Calabrese

*Assistant Examiner* — Katelin G Kloberg

(74) *Attorney, Agent, or Firm* — JCIPRNET

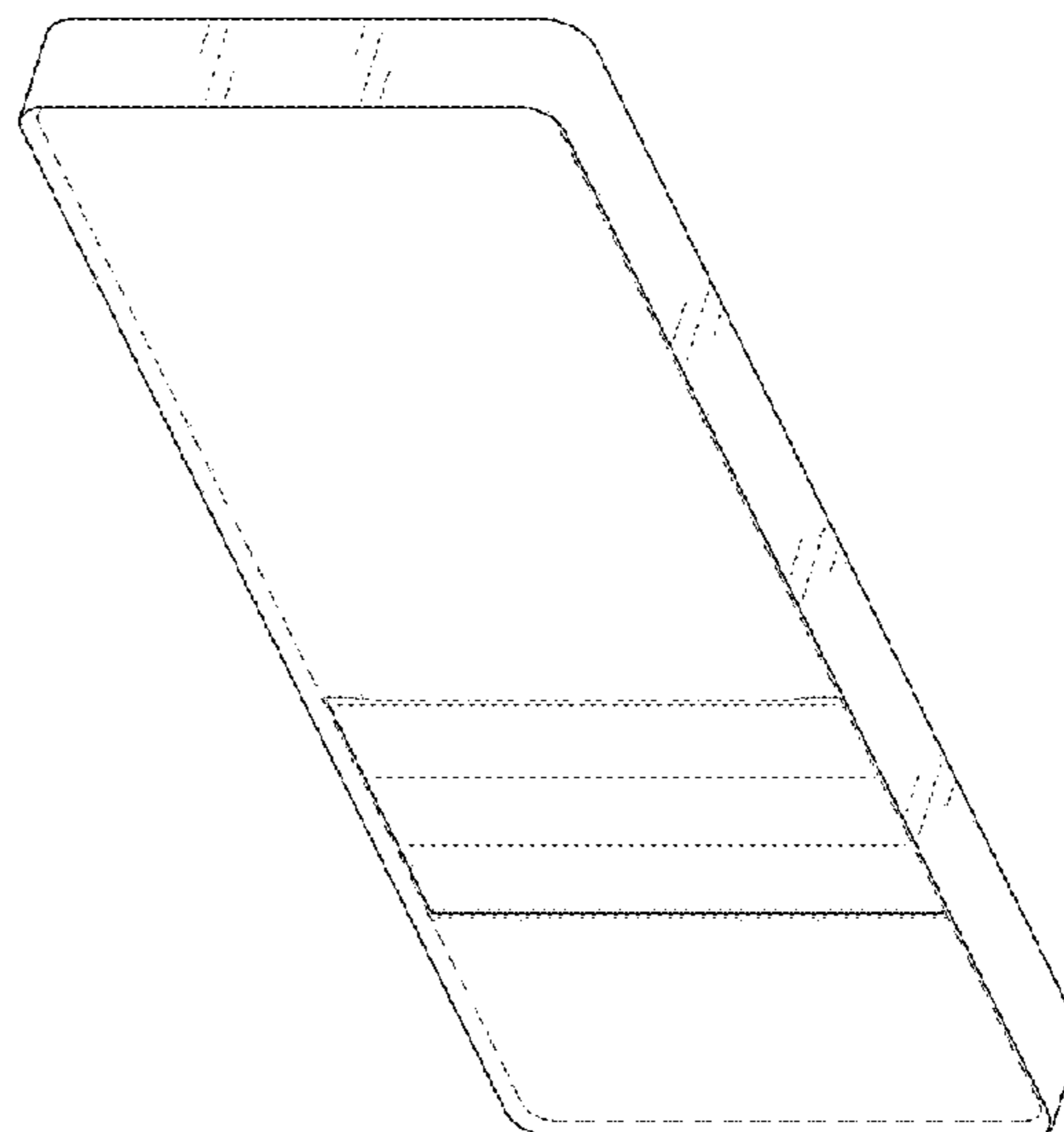
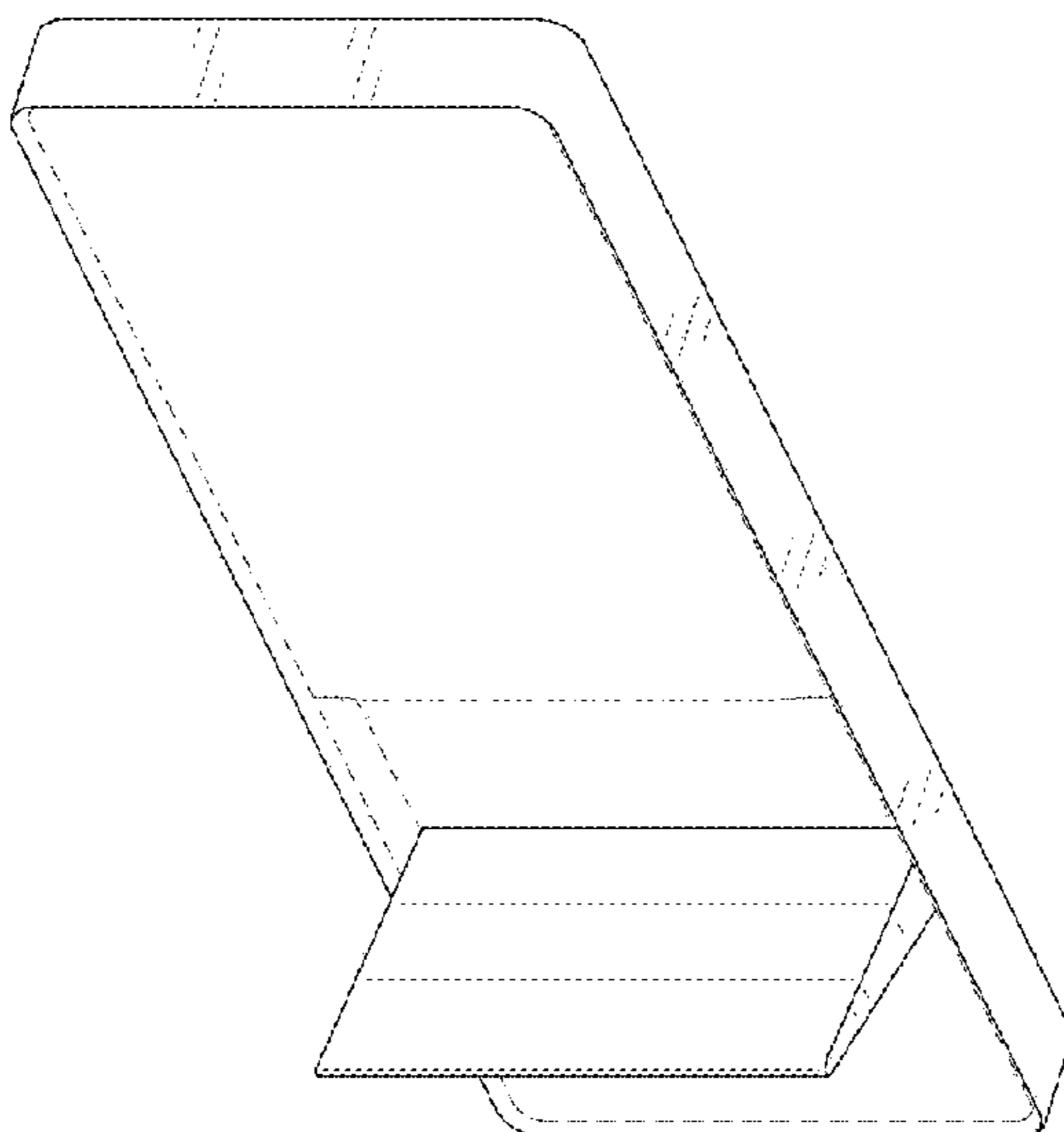
(57) **CLAIM**

The ornamental design for a hand washing station, as shown and described.

**DESCRIPTION**

FIG. 1 is a perspective view of a hand washing station showing our new design;  
FIG. 2 is a front view thereof;  
FIG. 3 is a rear view thereof;  
FIG. 4 is a left side view thereof;  
FIG. 5 is a right side view thereof;  
FIG. 6 is a top view thereof;  
FIG. 7 is a bottom view thereof;  
FIG. 8 is a perspective view thereof, shown in a closed configuration;  
FIG. 9 is a front view thereof, shown in a closed configuration;  
FIG. 10 is a rear view thereof, shown in a closed configuration;  
FIG. 11 is a left side view thereof, shown in a closed configuration;  
FIG. 12 is a right side view thereof, shown in a closed configuration;  
FIG. 13 is a top view thereof, shown in a closed configuration; and,  
FIG. 14 is a bottom view thereof, shown in a closed configuration.  
The dashed broken lines illustrate portions of the hand washing station and form no part of the claimed design.

**1 Claim, 12 Drawing Sheets**



(56)

References Cited

U.S. PATENT DOCUMENTS

3,718,101 A \* 2/1973 Sacks ..... A47B 5/00  
108/152  
D255,745 S \* 7/1980 Pedersen ..... 40/746  
D268,238 S \* 3/1983 Brescia ..... D6/300  
D278,109 S \* 3/1985 Leeds ..... D19/91  
4,889,057 A \* 12/1989 Chartrand ..... A47B 5/04  
108/42  
D337,909 S \* 8/1993 Furcron ..... D6/553  
5,707,126 A \* 1/1998 Neufeld ..... A47B 5/00  
312/245  
D395,561 S \* 6/1998 Gongora ..... D6/675  
D402,697 S \* 12/1998 Rosen ..... D19/113  
D419,351 S \* 1/2000 Wenger ..... D6/553  
6,386,500 B1 \* 5/2002 Dainoff ..... A47B 23/042  
248/451  
D468,542 S \* 1/2003 Hennekes ..... D6/310  
D521,562 S \* 5/2006 Richter ..... D19/91  
D535,367 S \* 1/2007 Bouroullec ..... D23/271  
D579,983 S \* 11/2008 Milne ..... D20/39  
D649,808 S \* 12/2011 Voron ..... D6/675.1  
D661,123 S \* 6/2012 Curbun ..... D6/675.1  
D664,528 S \* 7/2012 Chen ..... D14/253  
D678,419 S \* 3/2013 Keyvanloo ..... D20/43  
D679,521 S \* 4/2013 Hamm ..... D6/672  
D683,982 S \* 6/2013 Kikkert ..... D6/674  
D688,235 S \* 8/2013 Song ..... D14/253  
8,602,227 B1 \* 12/2013 McDonald ..... A47F 5/0853  
211/94.01  
D725,947 S \* 4/2015 Tio ..... D6/675.1  
D734,965 S \* 7/2015 Tio ..... D6/675  
9,084,476 B2 \* 7/2015 Mojtabavi ..... E05D 11/06  
D741,070 S \* 10/2015 Martin ..... D6/310  
D758,106 S \* 6/2016 Hamm ..... D6/672  
D760,214 S \* 6/2016 Kemper ..... D14/253  
D772,812 S \* 11/2016 Choe ..... D13/108  
D779,240 S \* 2/2017 Tio ..... D6/675  
D780,298 S \* 2/2017 Stauss ..... D23/271  
9,593,481 B2 \* 3/2017 Gosling ..... E04B 2/7407  
D787,840 S \* 5/2017 Spigler ..... D6/310  
D788,761 S \* 6/2017 Tompkin ..... D14/253  
D790,260 S \* 6/2017 Tio ..... D6/675

D797,110 S \* 9/2017 Ko ..... D14/451  
D797,705 S \* 9/2017 Zheng ..... D14/217  
D799,494 S \* 10/2017 Lee ..... D14/447  
9,776,723 B2 \* 10/2017 Gow ..... A47B 13/081  
D805,309 S \* 12/2017 Moyer ..... D6/308  
D807,086 S \* 1/2018 Tio ..... D6/675  
D812,130 S \* 3/2018 Chen ..... D18/4.6  
D812,564 S \* 3/2018 Feng ..... D13/108  
D818,723 S \* 5/2018 Moyer ..... D6/308  
9,969,311 B2 \* 5/2018 Stewart ..... B60N 3/004  
D824,702 S \* 8/2018 Tio ..... D6/675  
D827,078 S \* 8/2018 McAuley ..... D21/790  
D854,612 S \* 7/2019 Chen ..... D18/4.6  
D867,035 S \* 11/2019 Brugger ..... D6/675  
D867,036 S \* 11/2019 Brugger ..... D6/675  
D868,691 S \* 12/2019 Sun ..... D13/108  
D871,332 S \* 12/2019 Liao ..... D13/108  
10,506,872 B2 \* 12/2019 Kruger ..... A47B 9/04  
D877,548 S \* 3/2020 Brugger ..... D6/675  
D880,418 S \* 4/2020 Zhang ..... D13/108  
D881,745 S \* 4/2020 Dionne ..... D11/131  
D885,805 S \* 6/2020 Brugger ..... D6/675  
D887,185 S \* 6/2020 Brugger ..... D6/675  
D892,283 S \* 8/2020 Ellington ..... D23/284  
D893,923 S \* 8/2020 Brugger ..... D6/675  
D895,441 S \* 9/2020 Yu ..... D10/2  
2015/0180524 A1 \* 6/2015 Lambert ..... G06F 1/1632  
455/575.1  
2020/0141098 A1 \* 5/2020 Liu ..... E03C 1/057

OTHER PUBLICATIONS

“Aquafil FlexiFountain 1200 BF.” Found online Sep. 9, 2020 at [www.civiq.com.au](http://www.civiq.com.au). Page archived Apr. 13, 2018. Retrieved from URL: <https://web.archive.org/web/20180413152453/https://www.civiq.com.au/product/aquafil-flexifountain-1200bf-drinking-fountain-bottle-refill-station/> (Year: 2018).\*  
“Hand Hygiene for Everyone.” Found online Sep. 9, 2020 at [www.yankodesign.com](http://www.yankodesign.com). Page dated Apr. 18, 2017. Retrieved from URL: <https://www.yankodesign.com/2017/04/18/hand-hygiene-for-everyone/> (Year: 2017).\*

\* cited by examiner

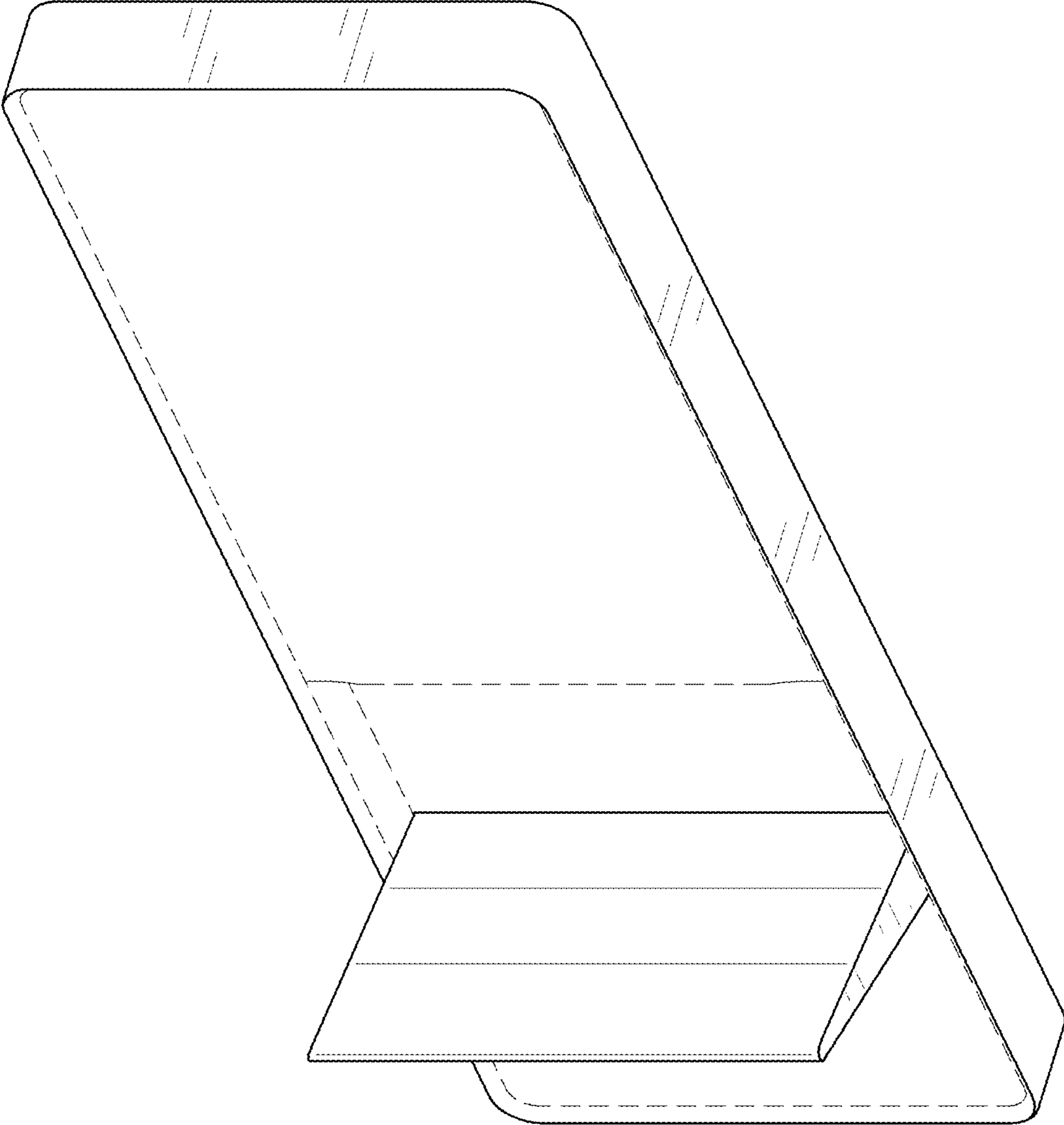


FIG. 1

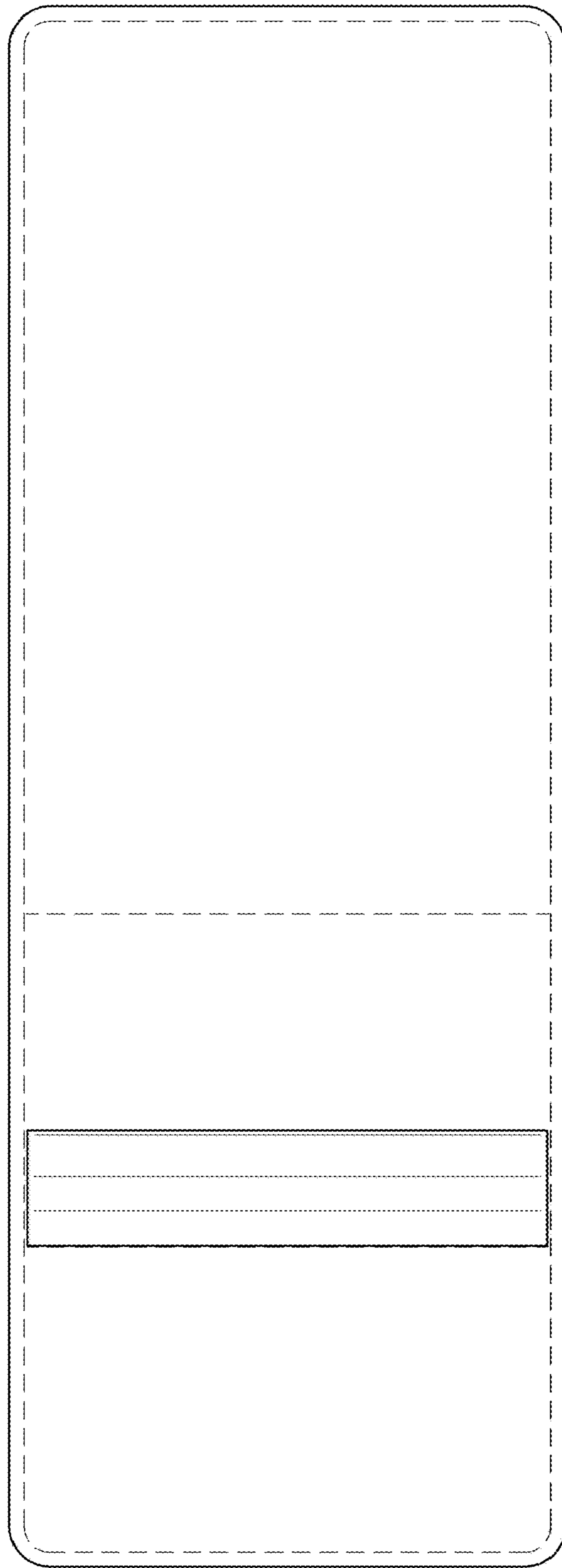


FIG. 2

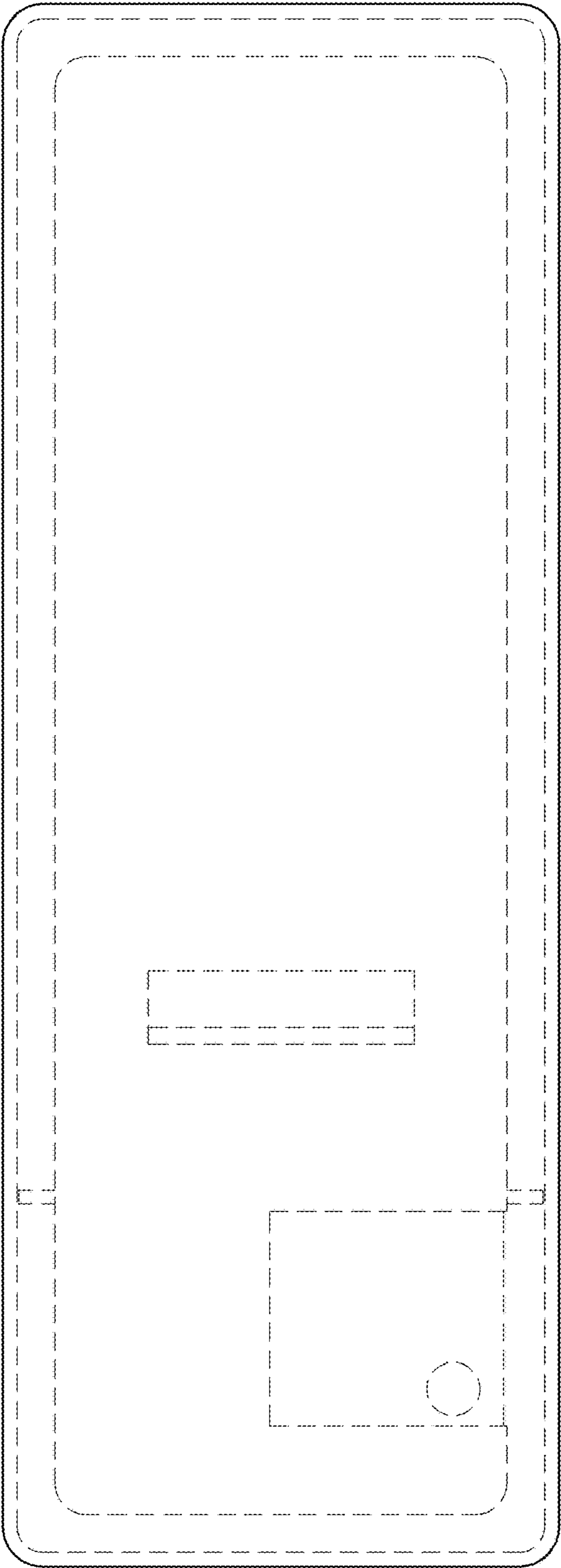


FIG. 3

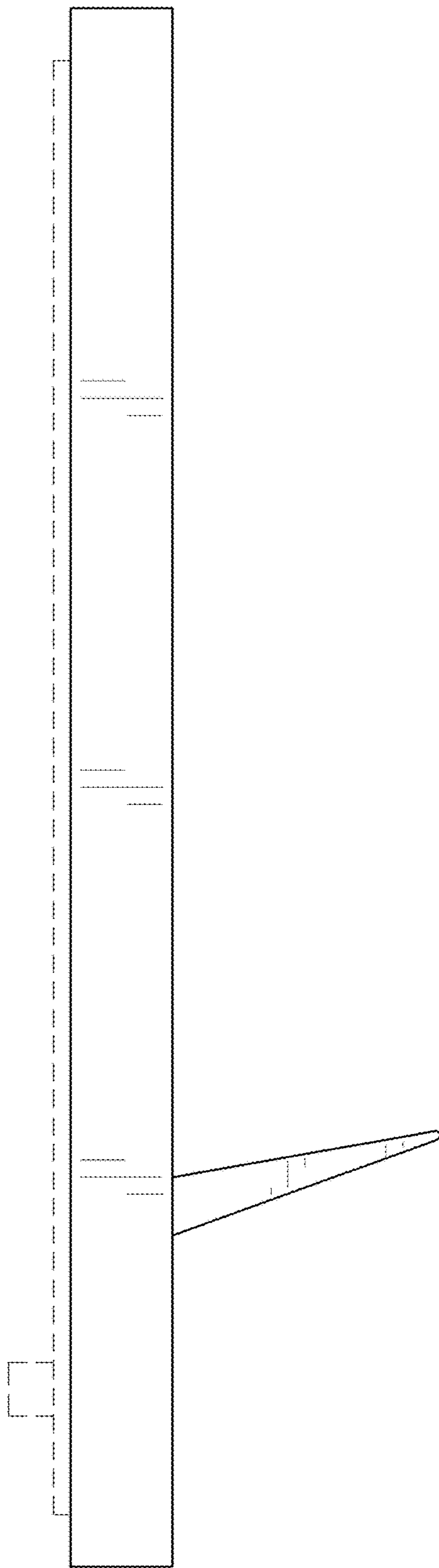


FIG. 4

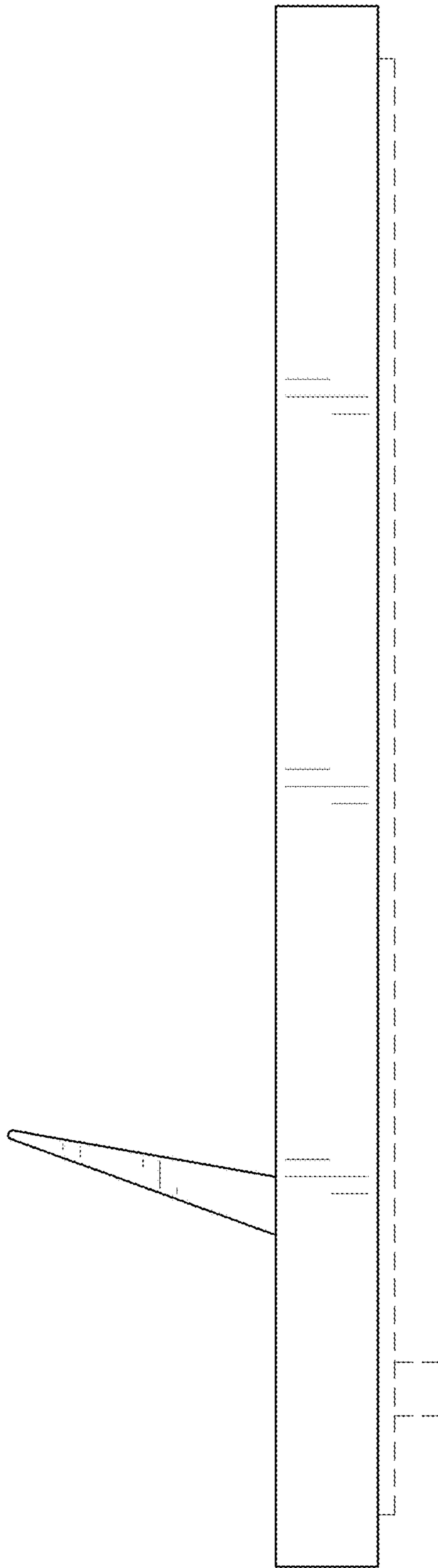


FIG. 5

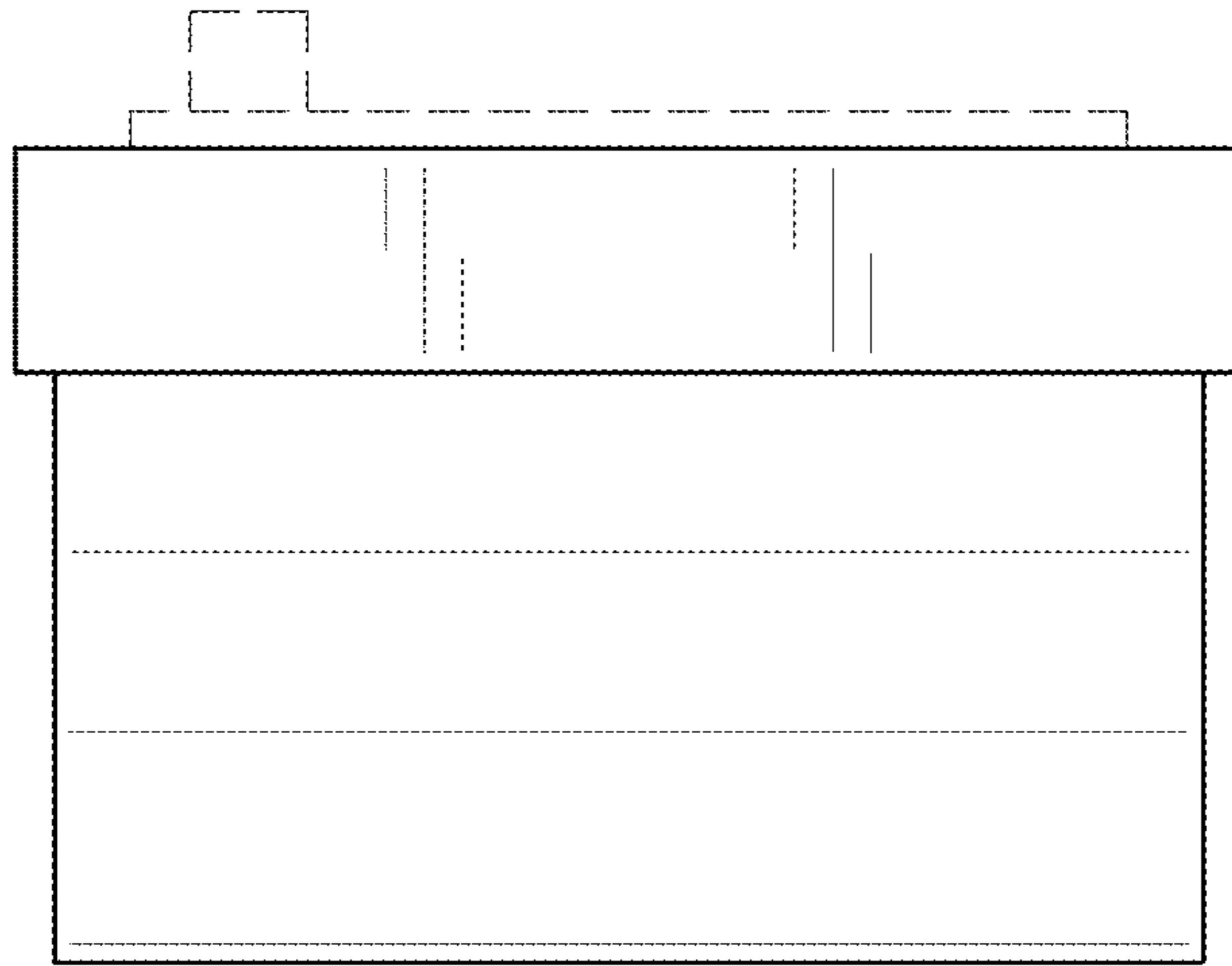


FIG. 6

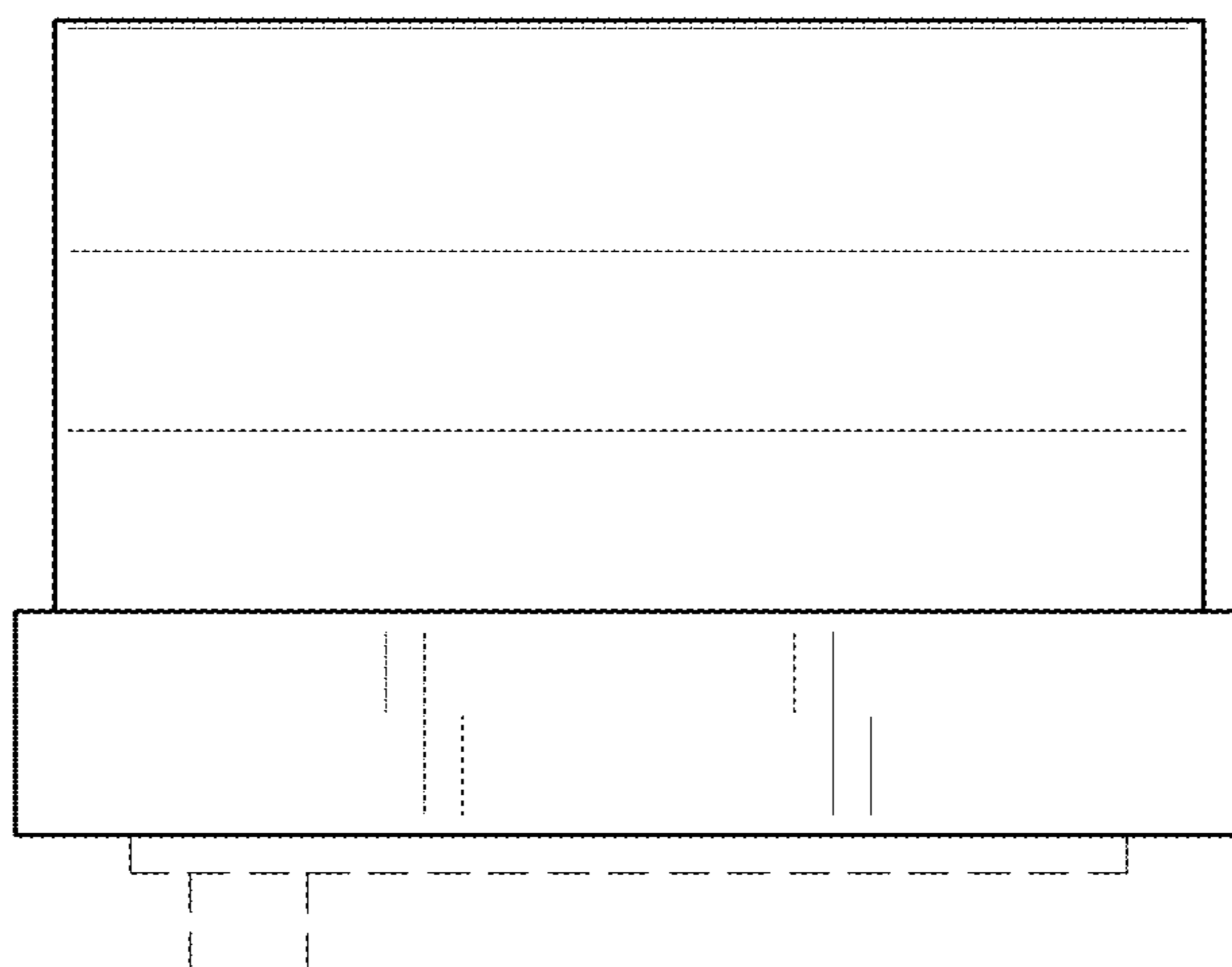


FIG. 7



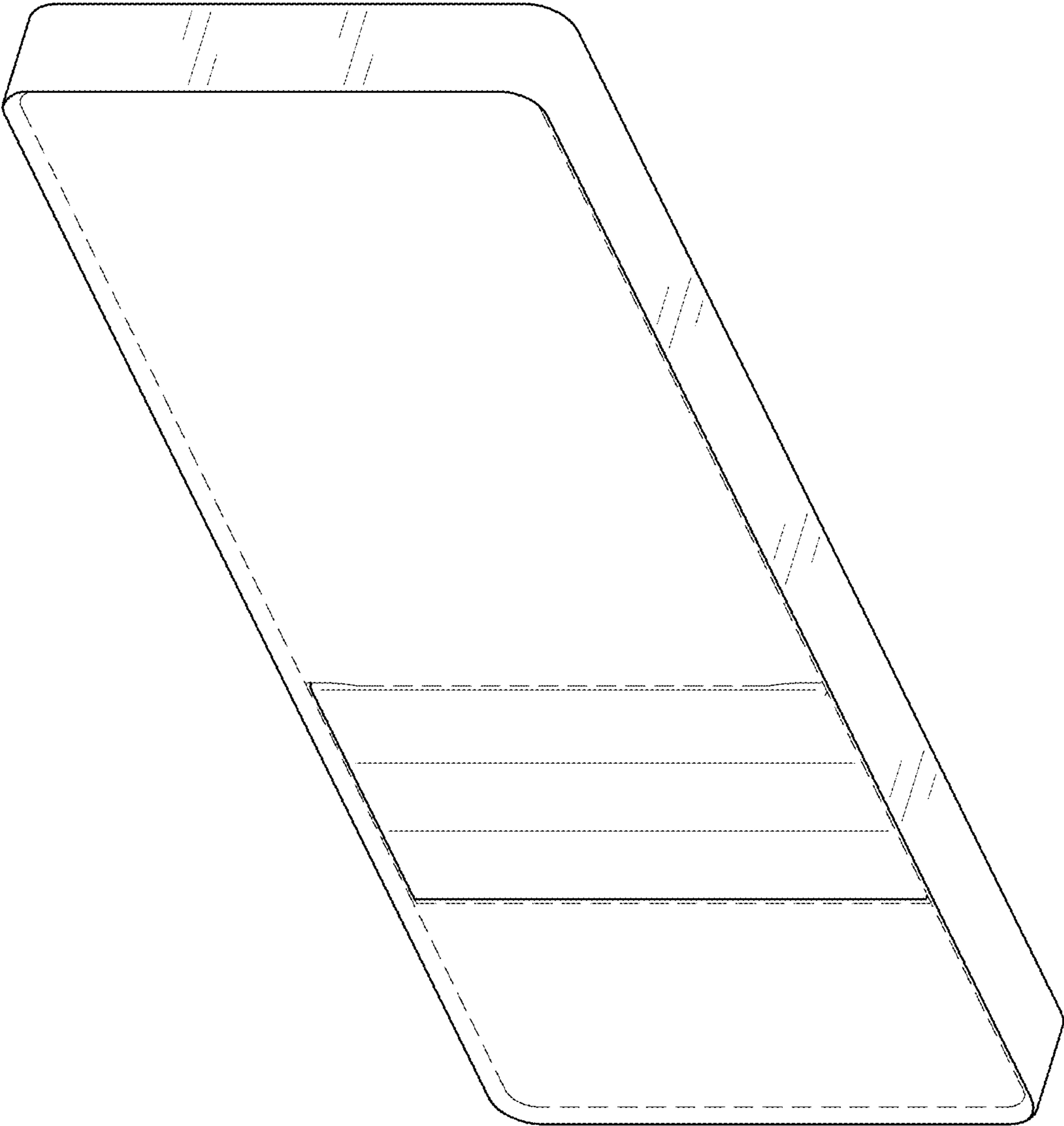


FIG. 8

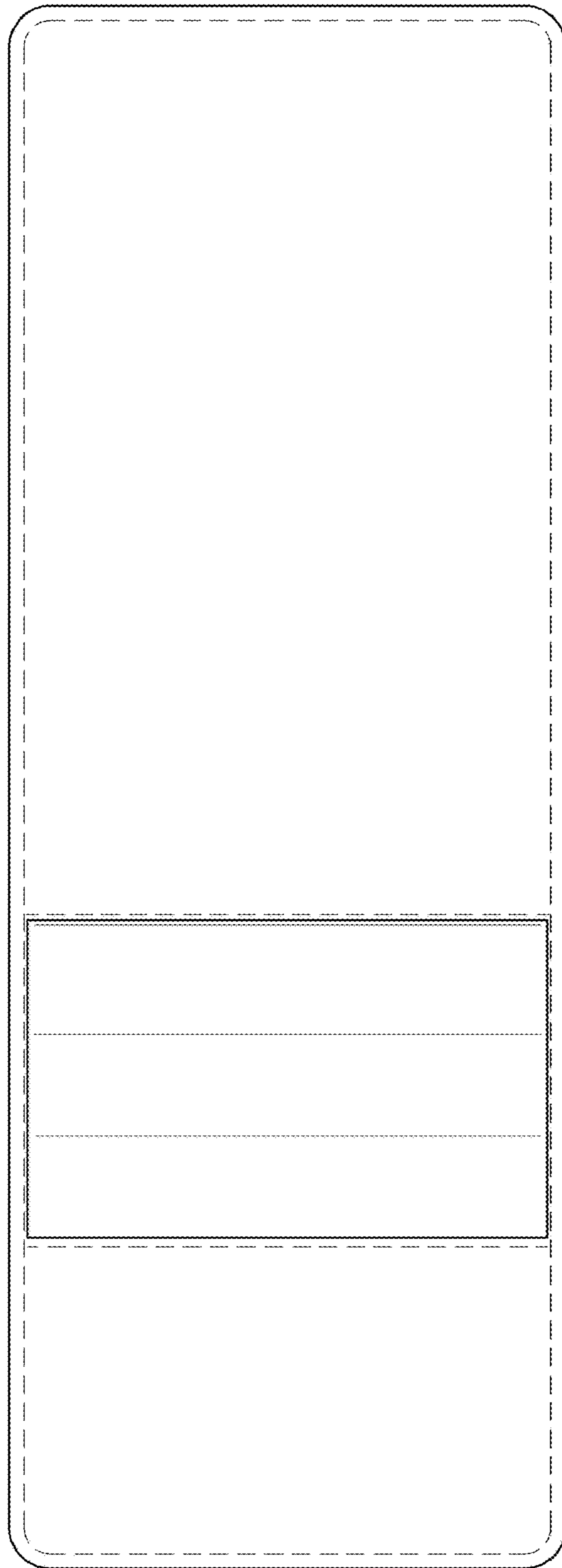


FIG. 9

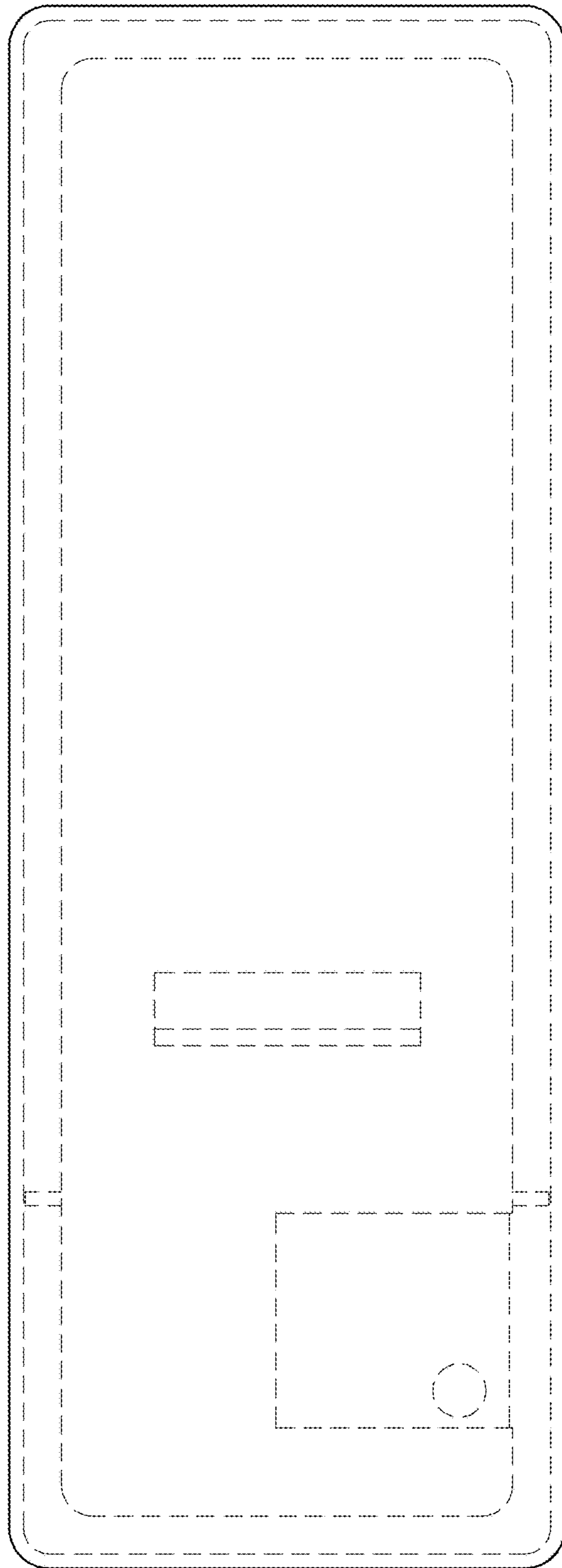


FIG. 10

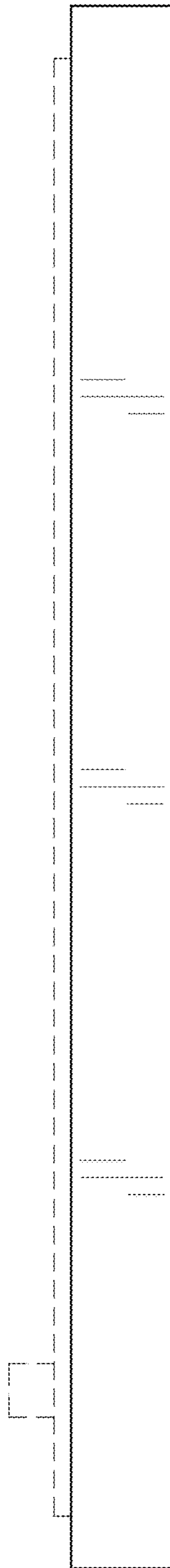


FIG. 11

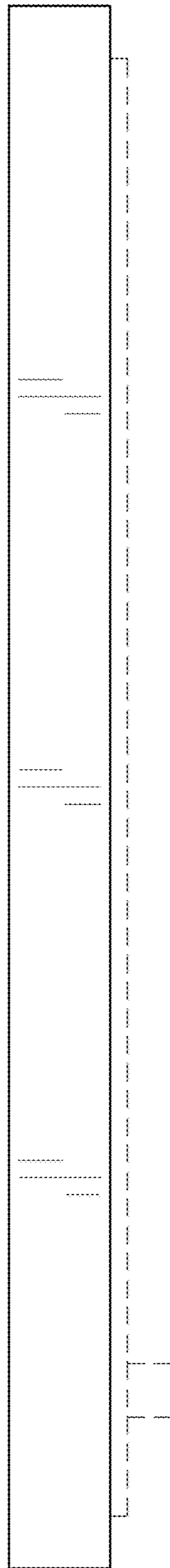


FIG. 12

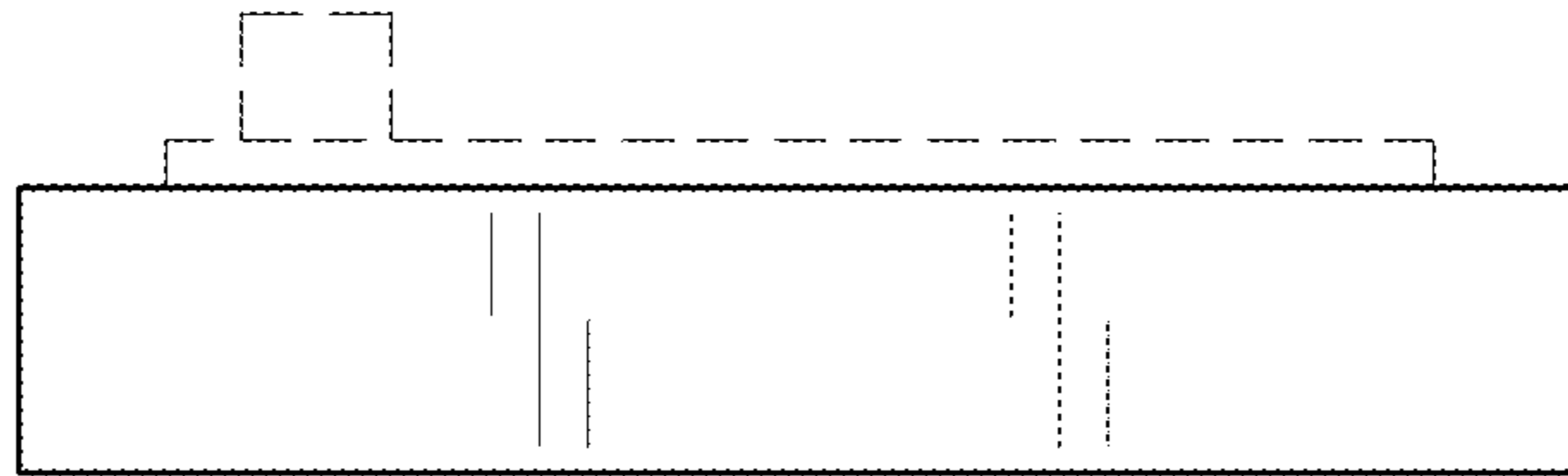


FIG. 13

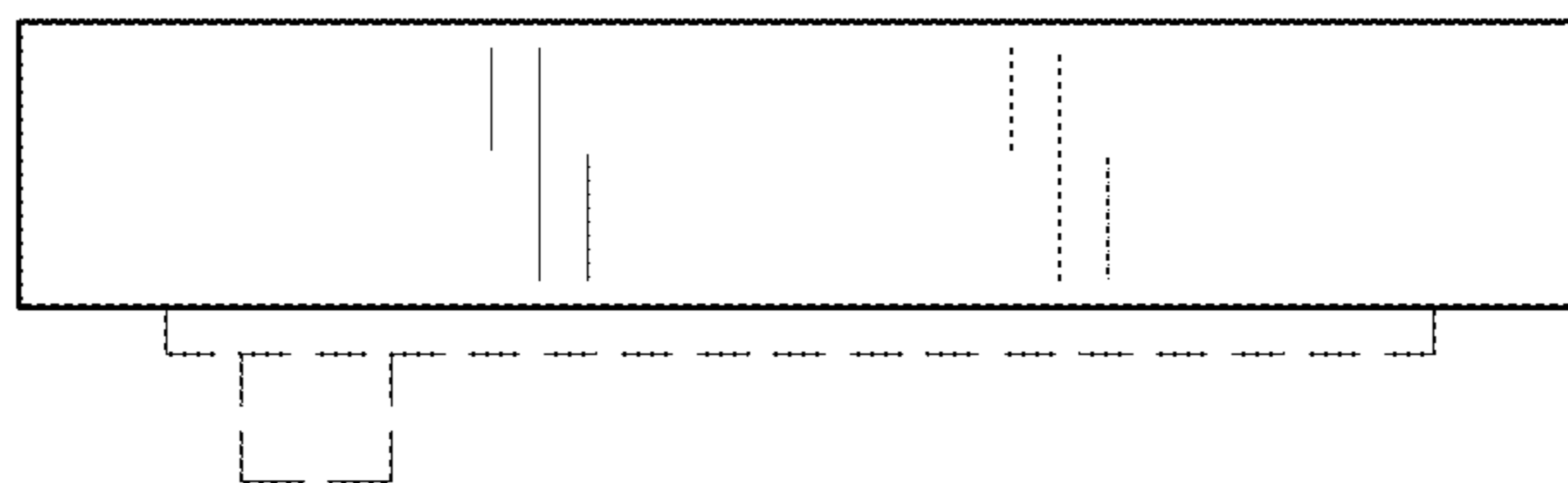


FIG. 14