



US00D908850S

(12) **United States Design Patent** (10) **Patent No.:** **US D908,850 S**
Cassano et al. (45) **Date of Patent:** **** Jan. 26, 2021**

(54) **GASKET ARRANGEMENT**

(71) Applicant: **Keurig Green Mountain, Inc.**,
Burlington, MA (US)

(72) Inventors: **Robert Dana Cassano**, Natick, MA
(US); **Blair Mikkelsen**, Chelmsford,
MA (US); **Joseph George Fucci**,
Amherst, NH (US)

(73) Assignee: **Keurig Green Mountain, Inc.**,
Burlington, MA (US)

(**) Term: **15 Years**

(21) Appl. No.: **29/668,473**

(22) Filed: **Oct. 30, 2018**

(51) **LOC (13) Cl.** **23-01**

(52) **U.S. Cl.**
USPC **D23/269**; D7/213

(58) **Field of Classification Search**
USPC D23/269, 262, 249, 259; D15/138-139,
D15/143; 277/351-360, 504, 563, 572,
277/316, 364-365, 394, 397, 406-407,
277/418, 449, 451-454, 458-460, 491,
277/517, 529, 602, 610, 612, 641-642,
277/644, 648; 285/339, 343; D7/213,
D7/399, 306, 309, 311
CPC E04D 13/14; F16J 7/00; A47J 31/3695;
A47J 31/469; A47J 31/3628
See application file for complete search history.

(56) **References Cited**

U.S. PATENT DOCUMENTS

6,607,762 B2 8/2003 Lazaris et al.
6,644,173 B2* 11/2003 Lazaris A47J 31/3628
99/295
D613,061 S * 4/2010 LeBoeuf D3/318
9,084,509 B2 7/2015 Tanner et al.
D807,726 S * 1/2018 Kodgule D8/349

9,867,493 B2 1/2018 Novak et al.
10,011,421 B2 7/2018 Bartoli et al.
D837,054 S * 1/2019 Mallahan, III D9/443
2014/0284333 A1* 9/2014 Poon B65D 43/26
220/318
2015/0008651 A1* 1/2015 Koyama B60T 17/00
277/641
2016/0229677 A1* 8/2016 Girault B67D 1/0034
2017/0258265 A1 9/2017 Trombetta et al.

(Continued)

FOREIGN PATENT DOCUMENTS

CN 203252455 U 10/2013
WO WO 2002/074144 A2 9/2002

OTHER PUBLICATIONS

PCT/U82019/058718, Jun. 23, 2020, International Search Report
and Written Opinion.

(Continued)

Primary Examiner — Amy C Wierenga
(74) *Attorney, Agent, or Firm* — Wolf, Greenfield &
Sacks, P.C.

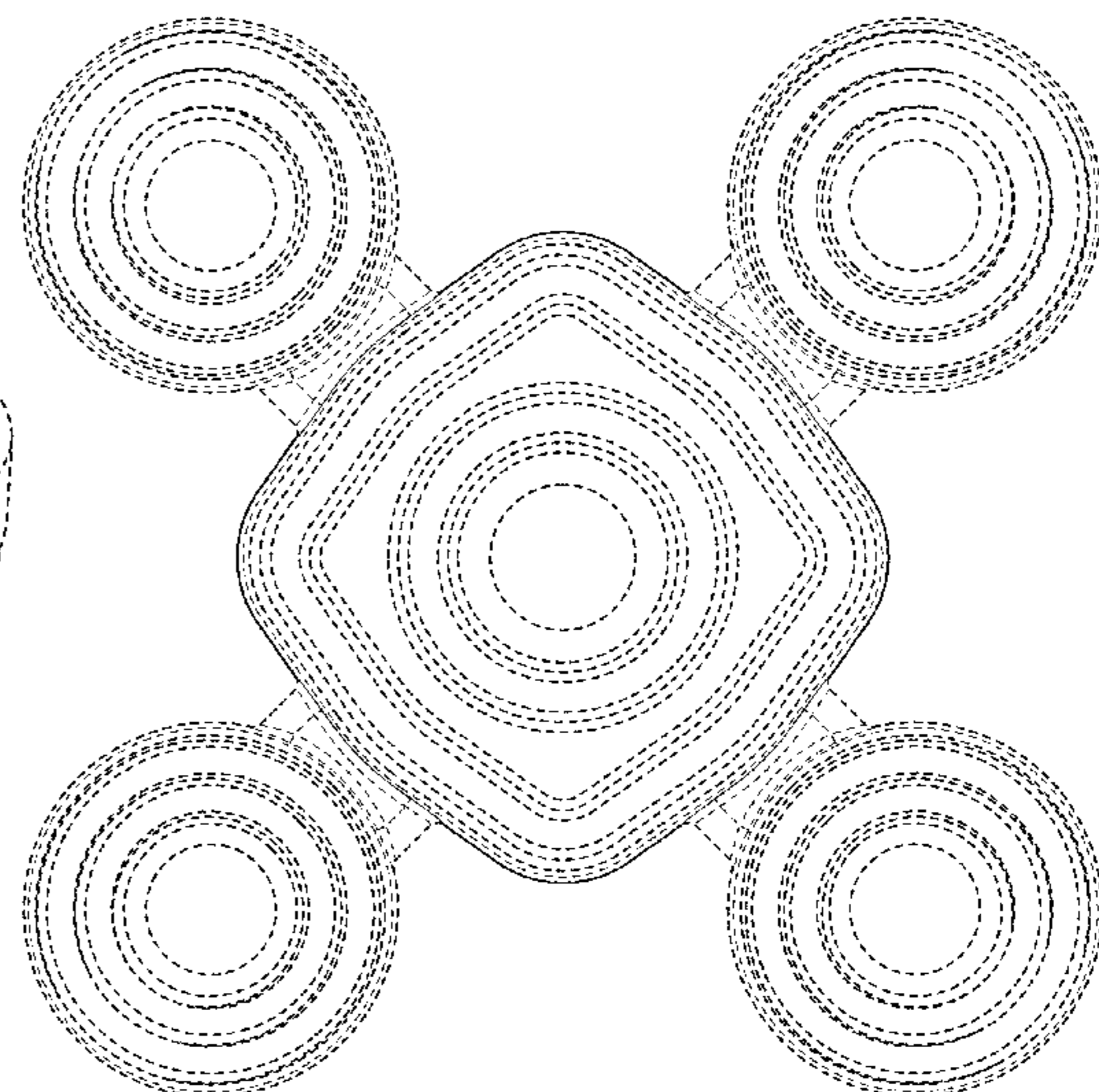
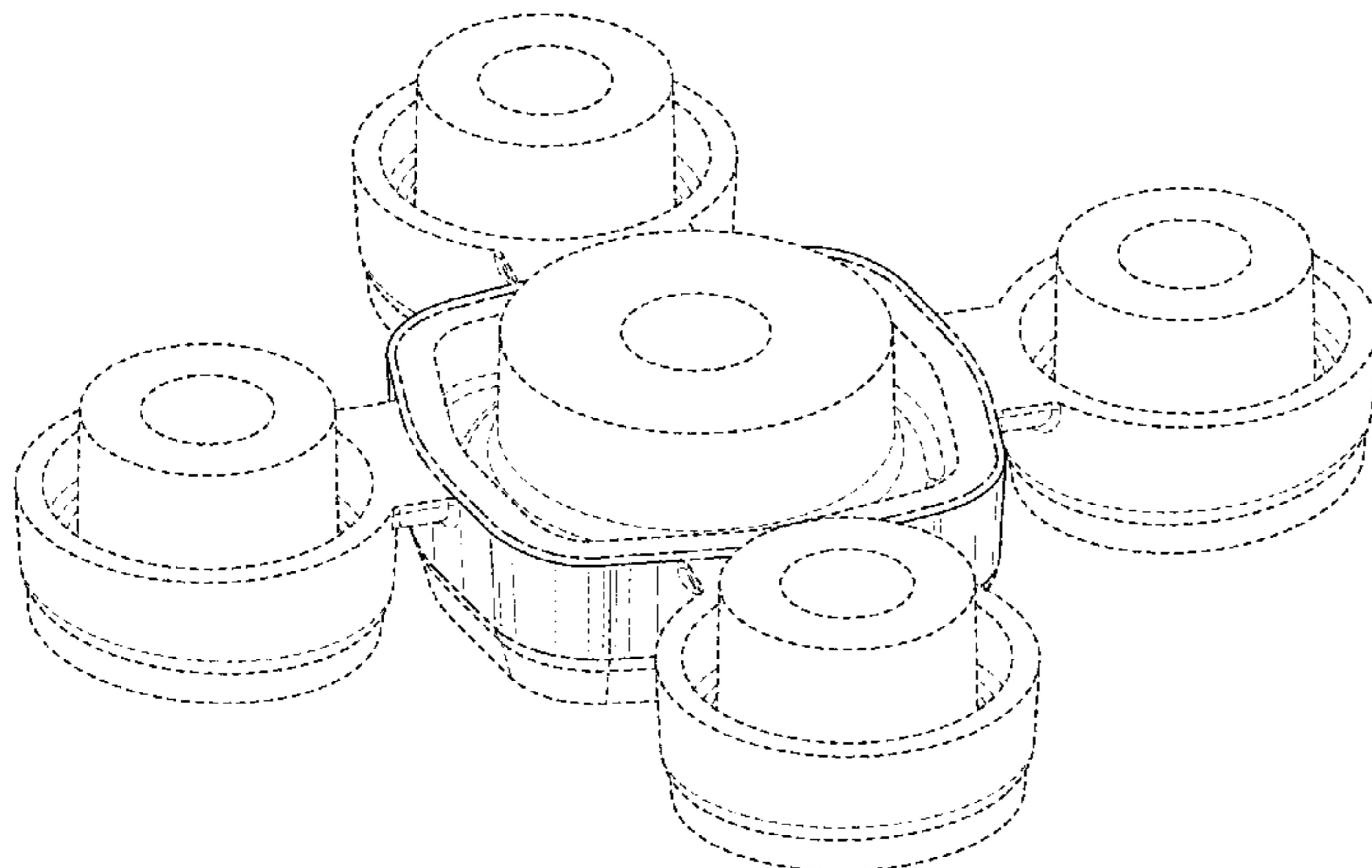
(57) **CLAIM**

The ornamental design for a gasket arrangement, as shown
and described.

DESCRIPTION

FIG. 1 is a top, right side perspective view of a gasket
arrangement;
FIG. 2 is a top plan view thereof;
FIG. 3 is a bottom plan view thereof; and,
FIG. 4 is a front view thereof, the left side view, right side
view, and rear view being identical to the front view.
The long dash-short dash lines represent the bounds of the
claimed design. The broken lines shown illustrate portions
of the gasket arrangement that form no part of the claimed
design.

1 Claim, 4 Drawing Sheets



(56)

References Cited

U.S. PATENT DOCUMENTS

2017/0303733 A1 * 10/2017 Balkau A47J 31/469

OTHER PUBLICATIONS

International Search Report and Written Opinion dated Jun. 23, 2020 in connection with International Application No. PCT/US2019/058718.

Invitation to Pay Additional Fees dated Feb. 25, 2020 in connection with International Application No. PCT/US2019/058718.

* cited by examiner

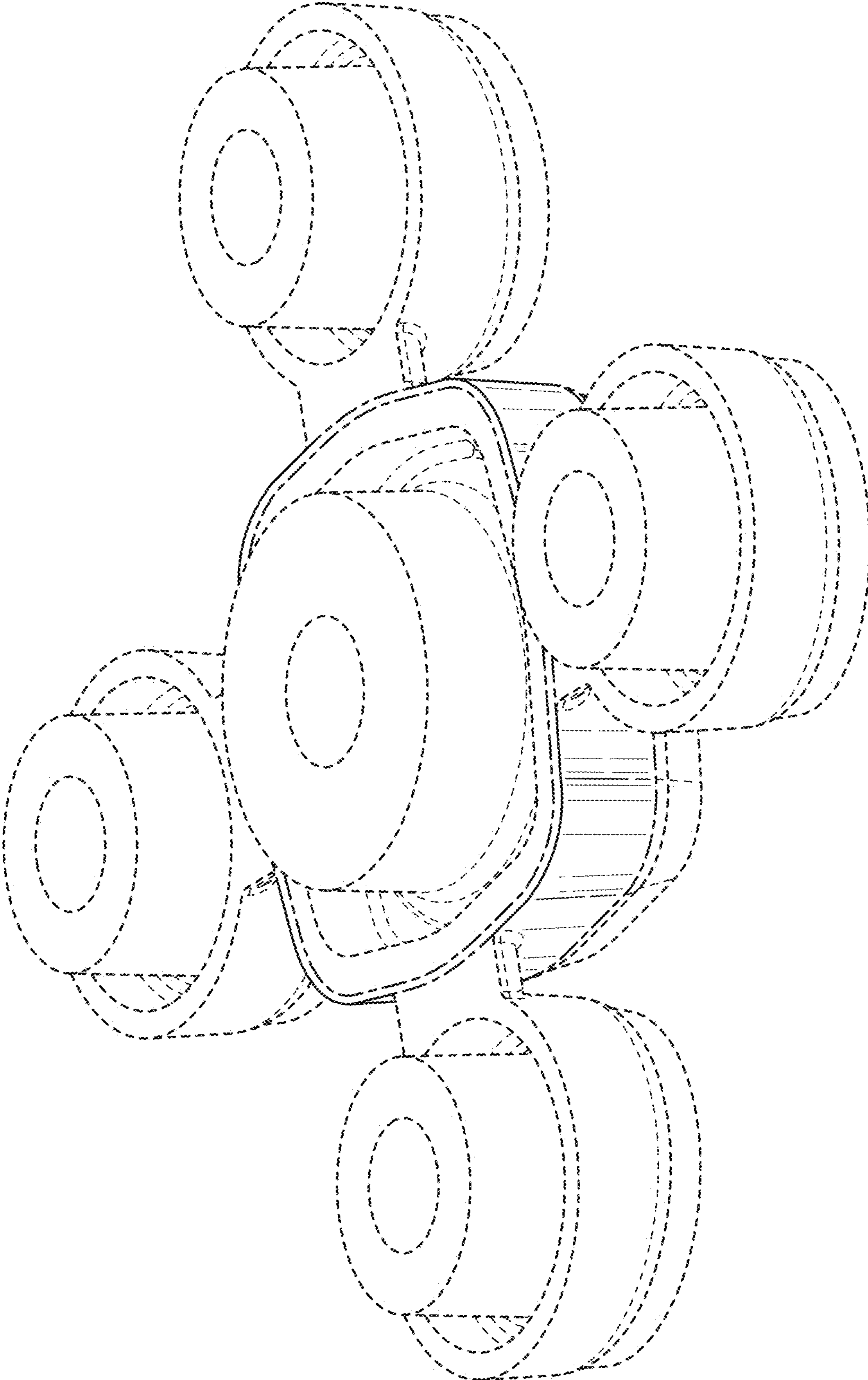


FIG. 1

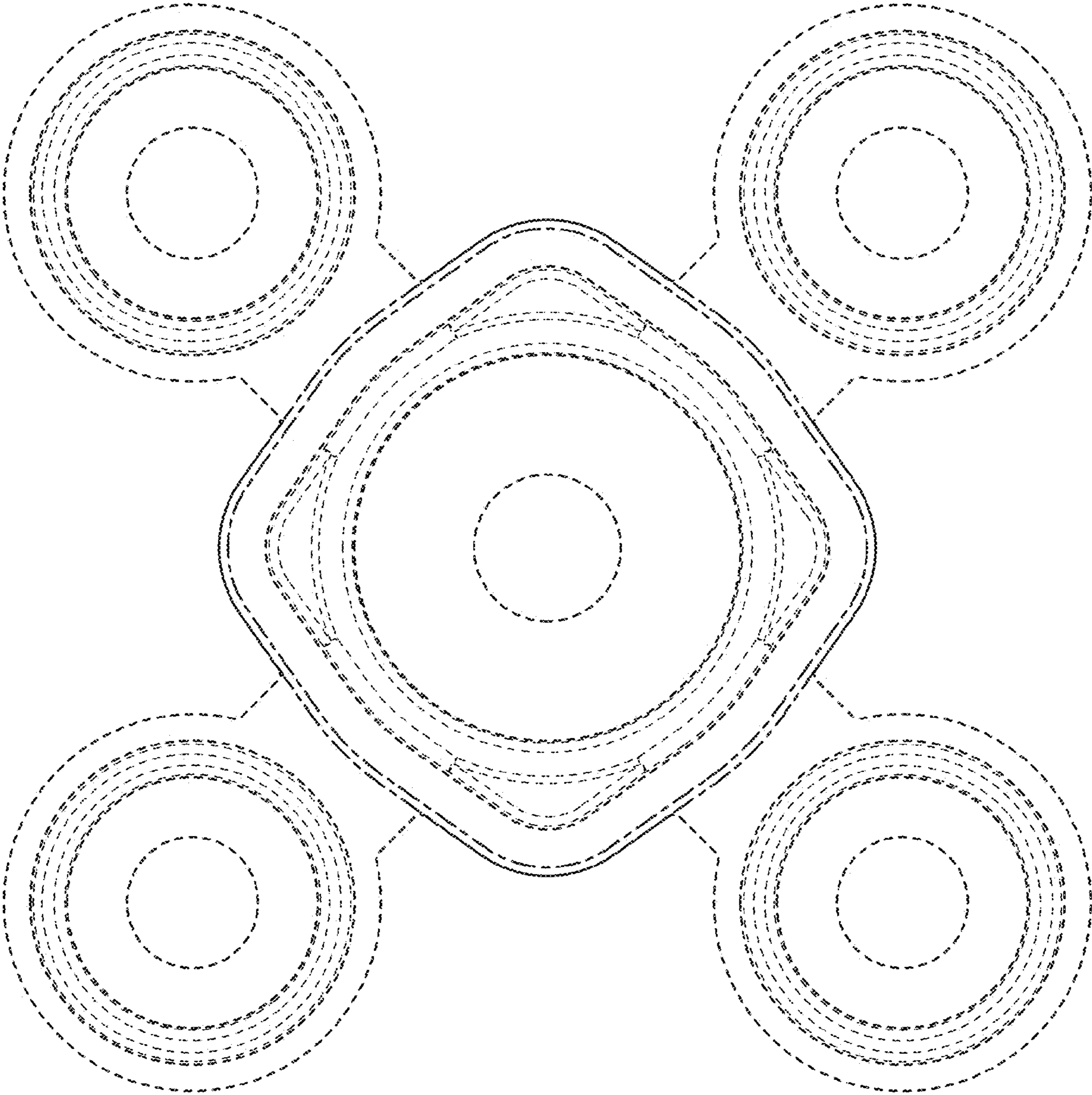


FIG. 2

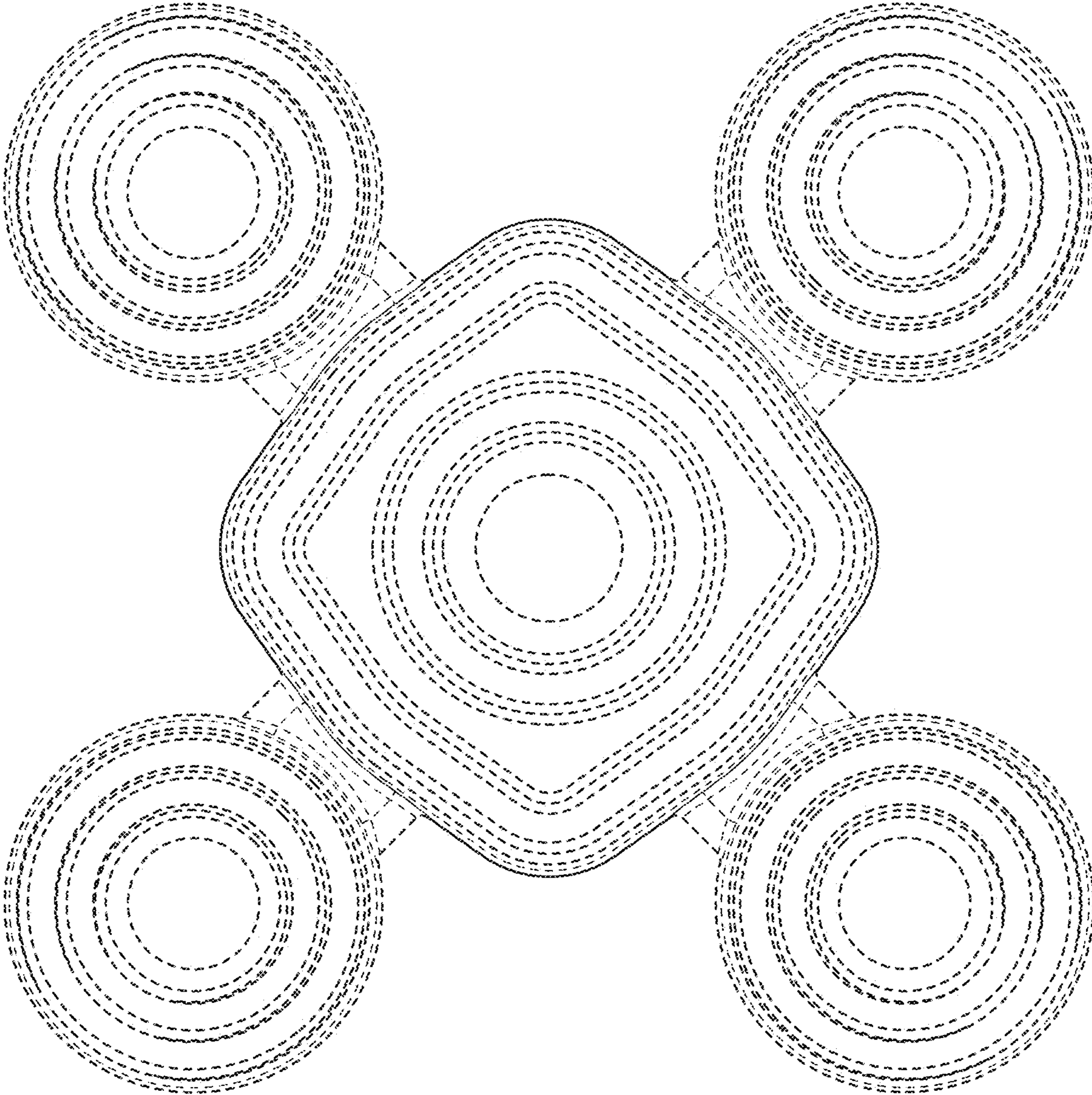


FIG. 3

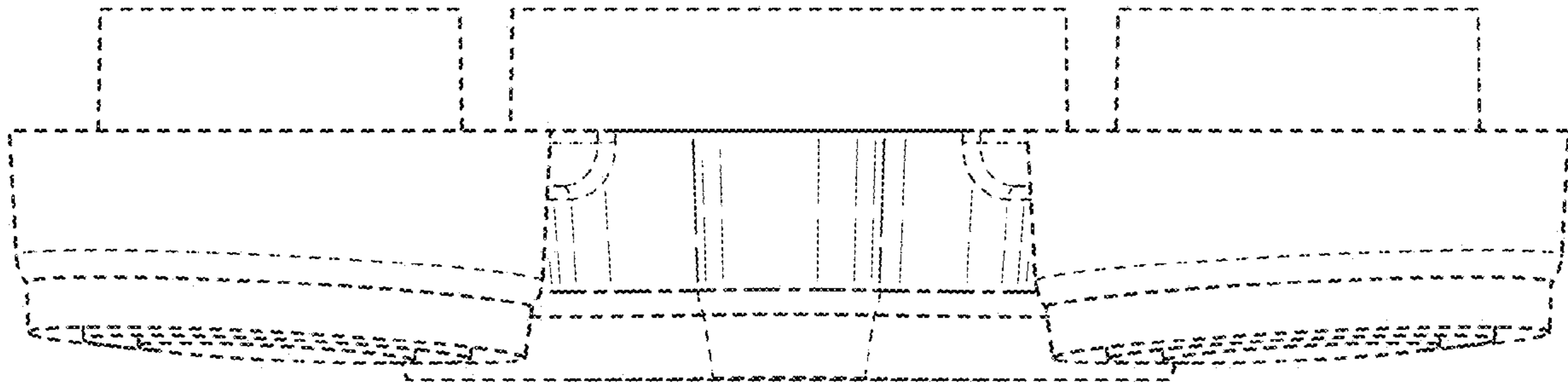


FIG. 4