



US00D908848S

(12) **United States Design Patent**  
**Kluss et al.**

(10) **Patent No.:** **US D908,848 S**

(45) **Date of Patent:** **\*\* Jan. 26, 2021**

(54) **CONNECTOR**

(71) Applicant: **Reliance Worldwide Corporation,**  
Atlanta, GA (US)

(72) Inventors: **William Vernon Kluss,** Woombye  
(AU); **Eliana M. Pippen,** Atlanta, GA  
(US)

(73) Assignee: **RELIANCE WORLDWIDE**  
**CORPORATION,** Atlanta, GA (US)

(\*\*) Term: **15 Years**

(21) Appl. No.: **29/689,798**

(22) Filed: **May 1, 2019**

(51) **LOC (13) Cl.** ..... **23-01**

(52) **U.S. Cl.**

USPC ..... **D23/262**

(58) **Field of Classification Search**

USPC ..... D23/259–260, 262, 264–266, 249;  
285/345, 377, 388, 390, 148.2, 148.14,  
285/148.19, 148.21, 328, 921; 251/143,  
251/146–148, 152

CPC ..... F16L 11/00

See application file for complete search history.

(56) **References Cited**

**U.S. PATENT DOCUMENTS**

4,265,470	A *	5/1981	Danner	.....	E21B 17/085 285/319
4,406,485	A *	9/1983	Giebeler	.....	E21B 33/13 285/391
5,692,784	A	12/1997	Hama et al.		
D529,998	S *	10/2006	Mutou	.....	D23/262
7,475,913	B2	1/2009	Muto		
D710,485	S *	8/2014	Nudo	.....	D23/262
D722,362	S *	2/2015	Kluss	.....	D23/235
D746,953	S *	1/2016	Gledhill	.....	D23/259
9,228,681	B2	1/2016	Kluss		
D756,494	S *	5/2016	Gledhill	.....	D23/262

9,777,875	B2 *	10/2017	Bobo	.....	F16L 37/091
D823,442	S *	7/2018	Sugatani	.....	D23/262
10,072,783	B2 *	9/2018	Gledhill	.....	F16L 37/091
D830,522	S *	10/2018	Di Liberto	.....	D23/259
D833,581	S *	11/2018	Atwell	.....	D23/259
10,578,235	B2 *	3/2020	Graham	.....	F16L 37/091
2002/0163181	A1	11/2002	Russell		
2002/0163191	A1	11/2002	Muenster et al.		
2003/0001385	A1	1/2003	Favre et al.		
2004/0245766	A1	12/2004	Vallee		
2007/0001454	A1	1/2007	Baving et al.		
2008/0136166	A1	6/2008	Guest		
2011/0025054	A1	2/2011	Kluss		

(Continued)

**OTHER PUBLICATIONS**

International Search Report and Written Opinion, PCT/US2019/  
028772 (dated Jul. 25, 2019).

(Continued)

*Primary Examiner* — Amy C Wierenga

(74) *Attorney, Agent, or Firm* — Foley & Lardner LLP

(57)

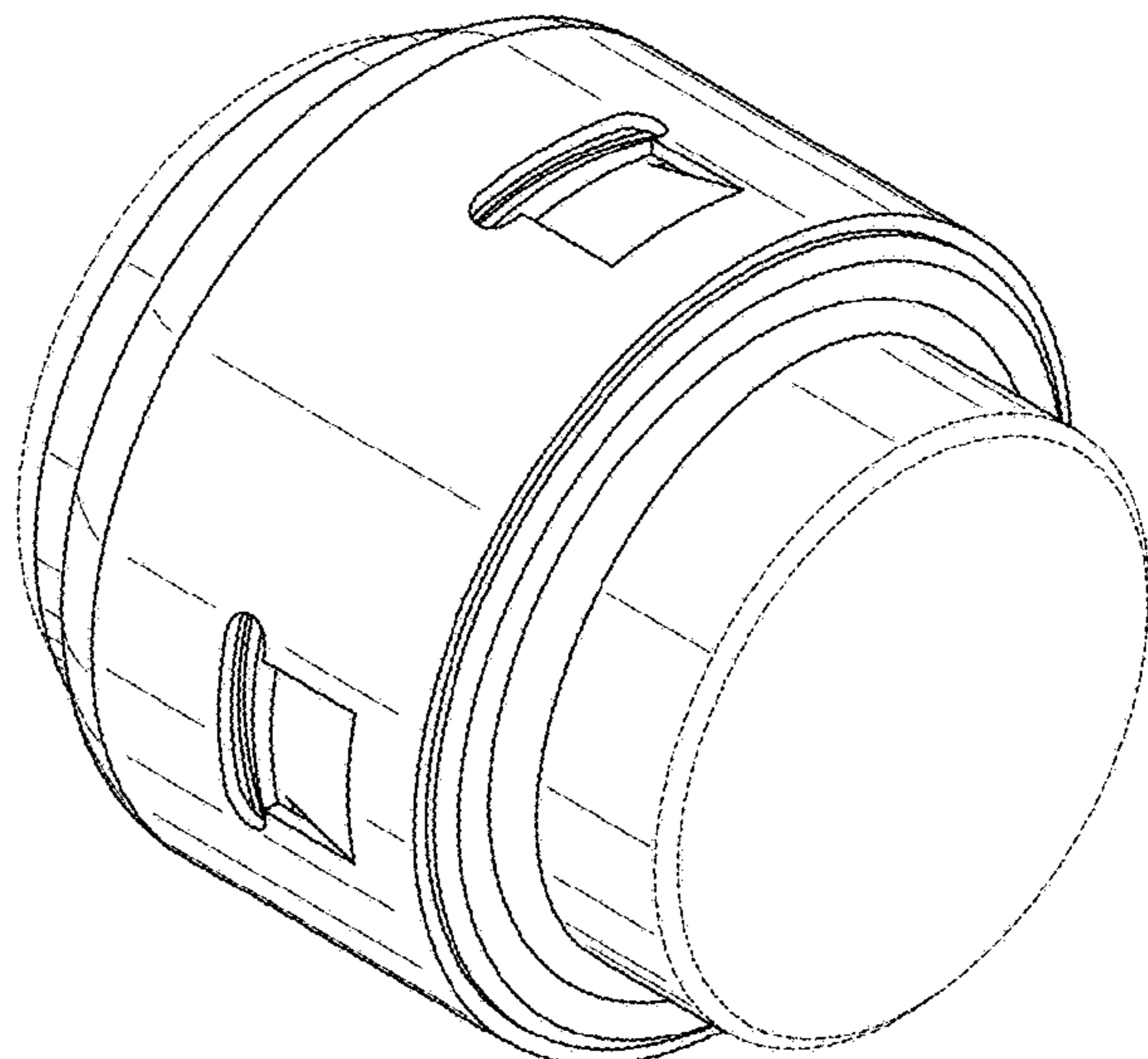
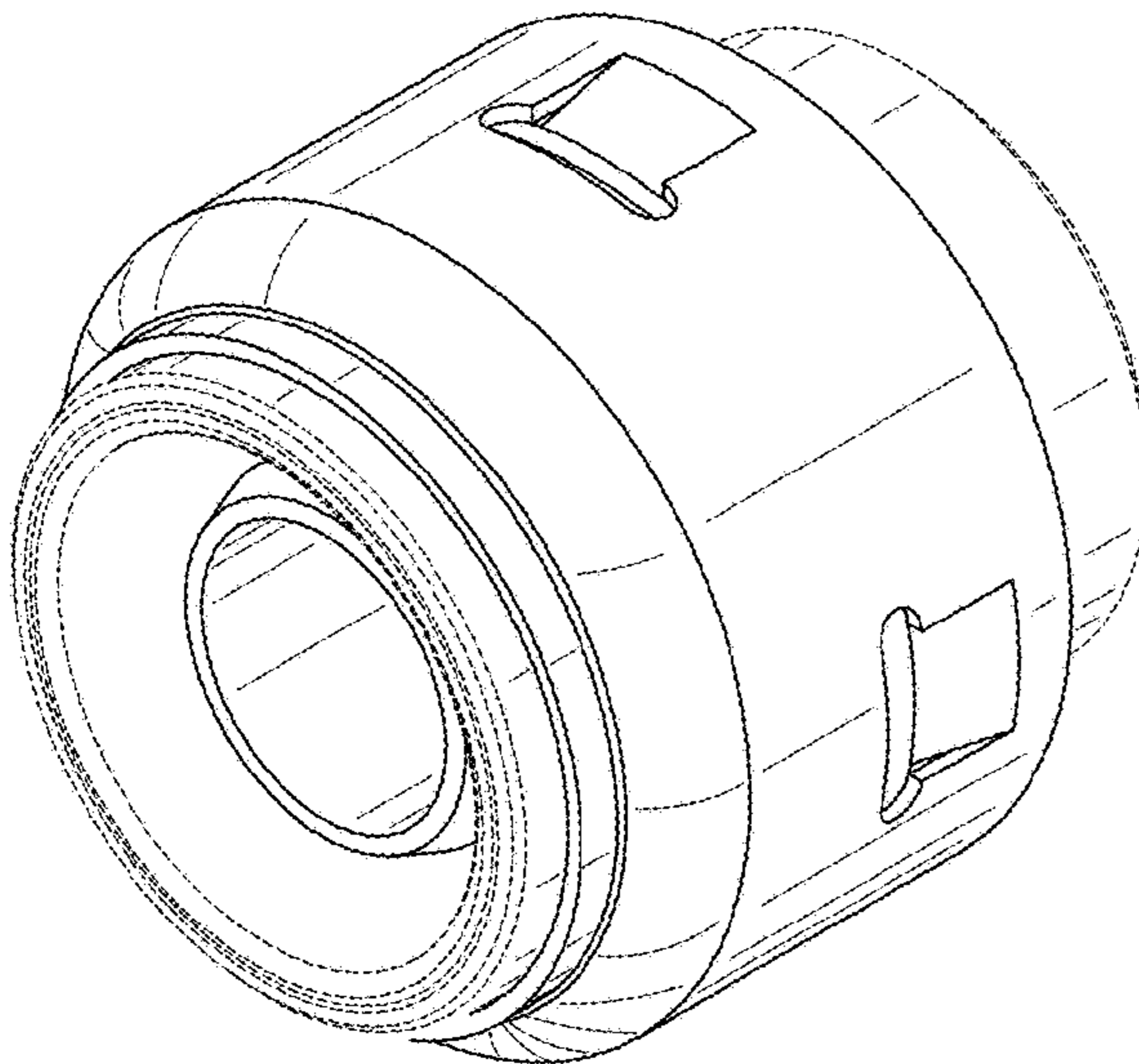
**CLAIM**

We claim the ornamental design for a connector, as shown  
and described.

**DESCRIPTION**

FIG. 1 is a top view of the claimed design;  
FIG. 2 is a bottom view thereof;  
FIG. 3 is a left side view thereof;  
FIG. 4 is a right side view thereof;  
FIG. 5 is a front side view thereof;  
FIG. 6 is a rear side view thereof;  
FIG. 7 is a first front perspective view thereof;  
FIG. 8 is a second front perspective view thereof; and,  
FIG. 9 is a rear side perspective view thereof.  
The broken lines shown in the drawings illustrate portions of  
the connector that form no part of the claimed design.

**1 Claim, 3 Drawing Sheets**



(56)

**References Cited**

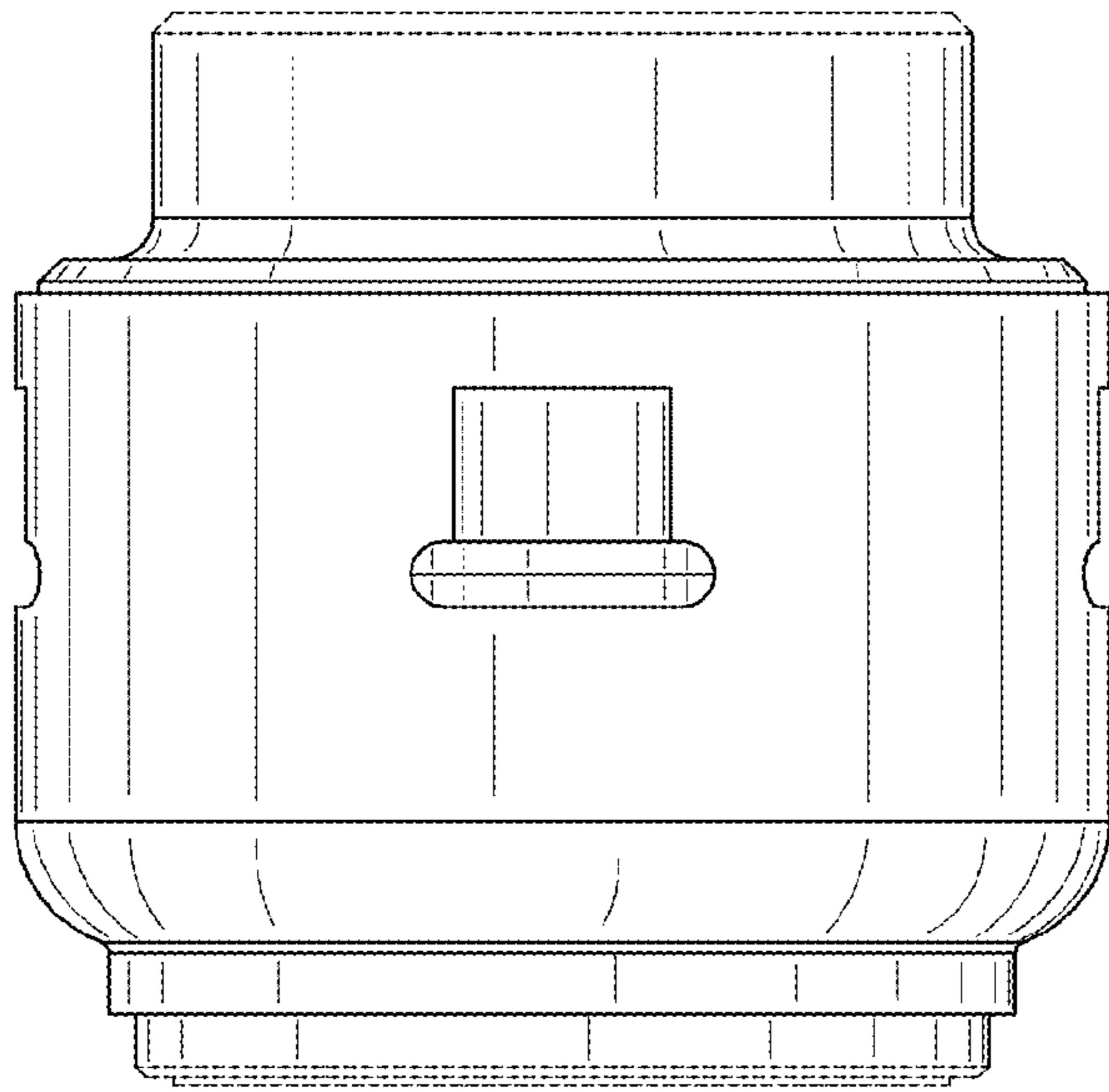
U.S. PATENT DOCUMENTS

2012/0096700 A1\* 4/2012 Patterson ..... F16L 21/08  
29/428  
2015/0159792 A1\* 6/2015 Bobo ..... F16L 37/091  
285/308  
2015/0240980 A1\* 8/2015 Bobo ..... F16L 37/0915  
285/321

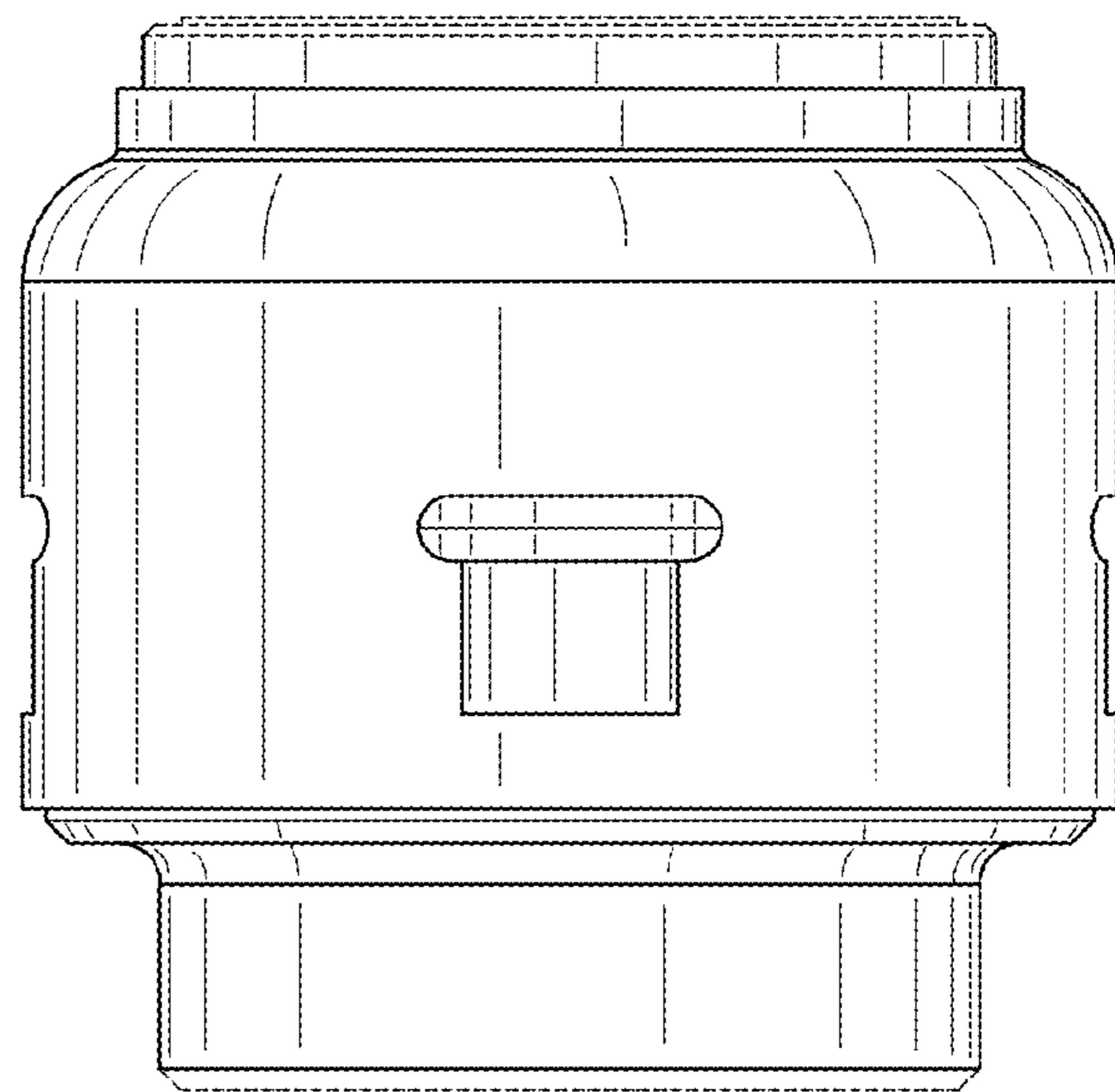
OTHER PUBLICATIONS

International Search Report and Written Opinion, PCT/US2019/025851 (dated Jun. 25, 2019).  
U.S. Appl. No. 29/677,195, filed Jan. 17, 2019, Reliance Worldwide Corp.  
U.S. Appl. No. 62/662,147, filed Apr. 24, 2018, Reliance Worldwide Corp.  
U.S. Appl. No. 62/682,098, filed Jun. 7, 2018, Reliance Worldwide Corp.  
U.S. Appl. No. 62/718,562, filed Aug. 14, 2018, Reliance Worldwide Corp.  
PCT/US2019/025851 filed Apr. 4, 2019, Reliance Worldwide Corp.  
PCT/US2019/028772, filed Apr. 23, 2019, Reliance Worldwide Corp.  
U.S. Appl. No. 29/669,799, filed May 1, 2019, Reliance Worldwide Corp.

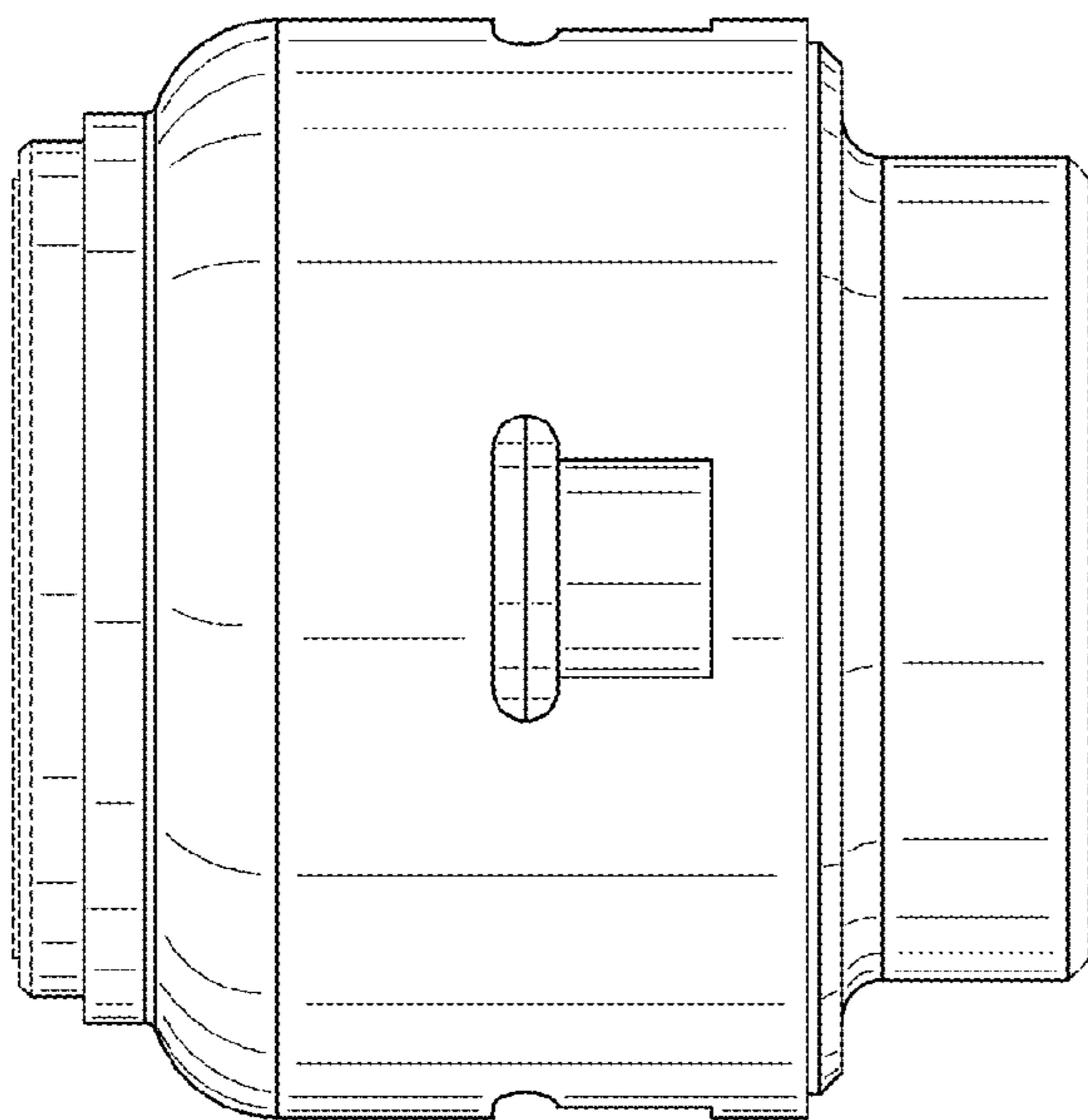
\* cited by examiner



*Fig. 1*

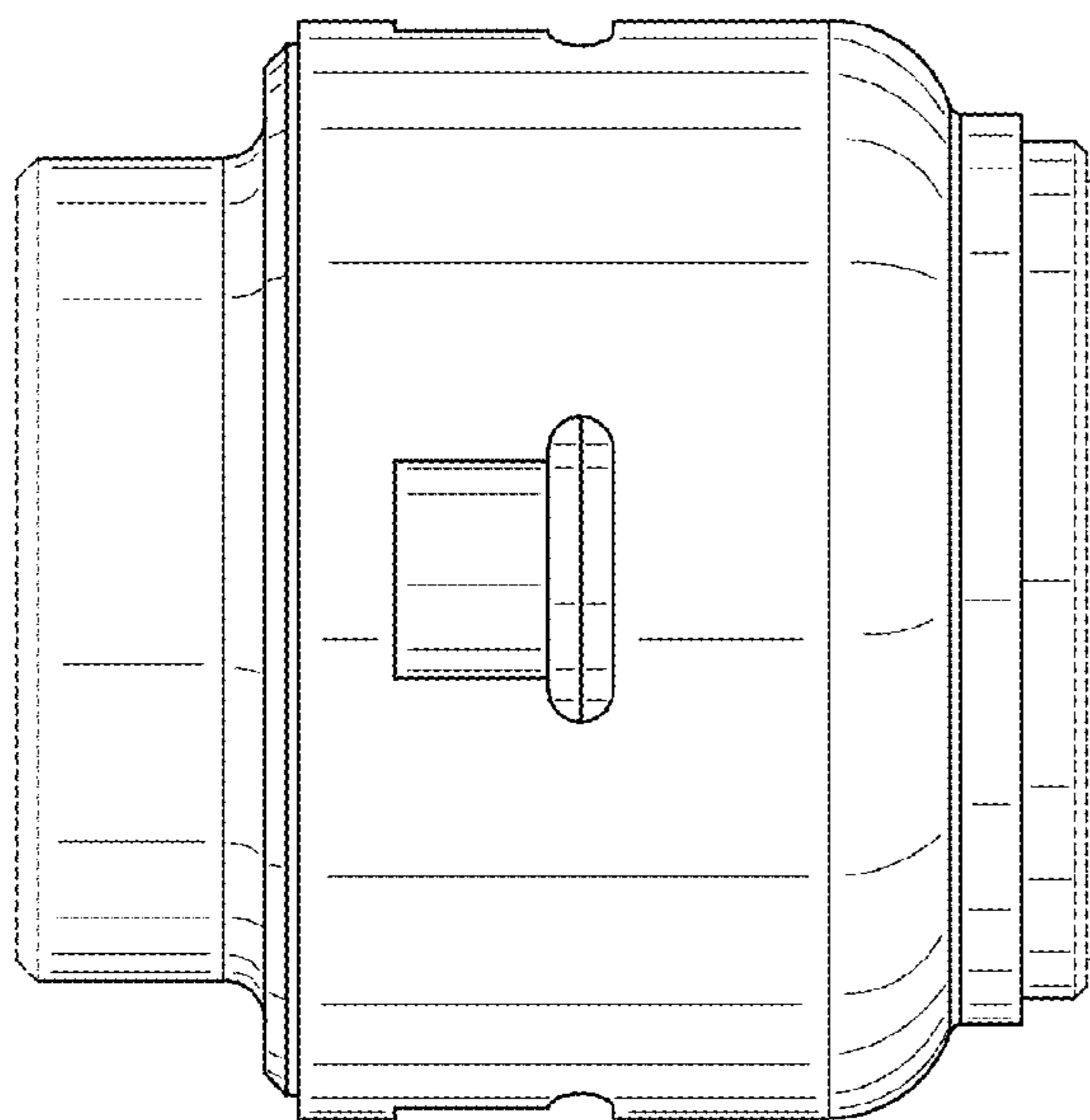


*Fig. 2*

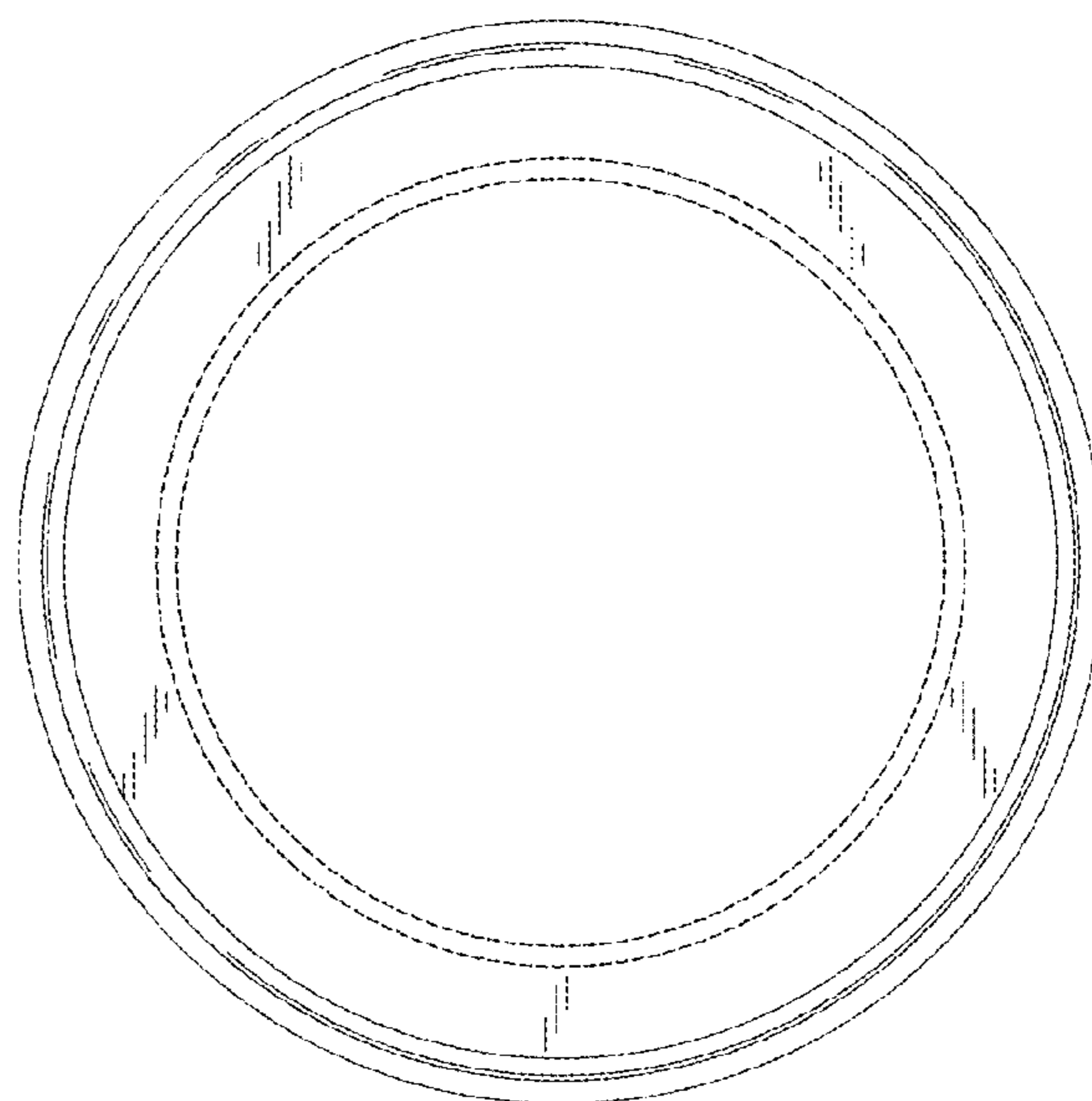


*Fig. 3*

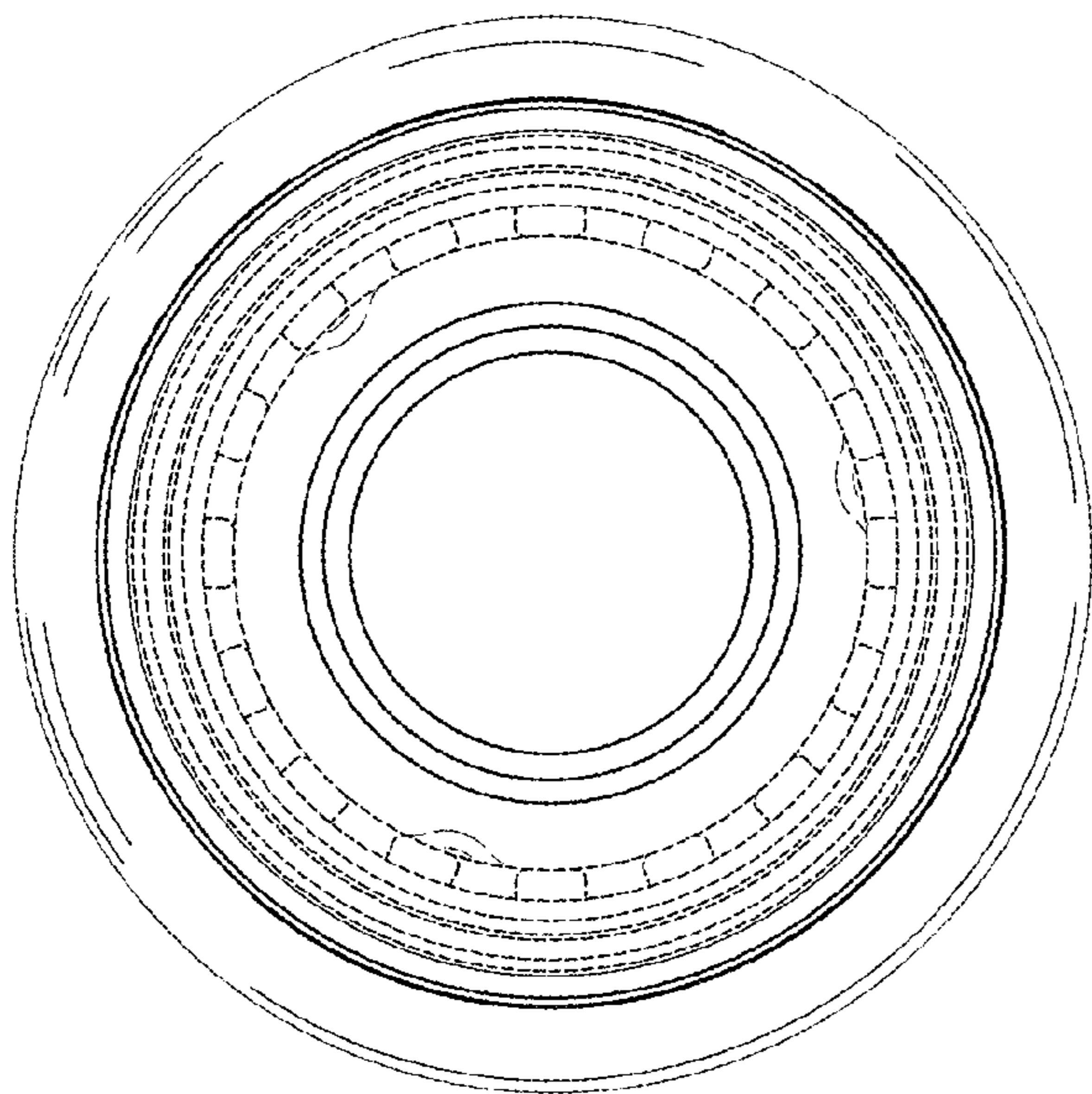




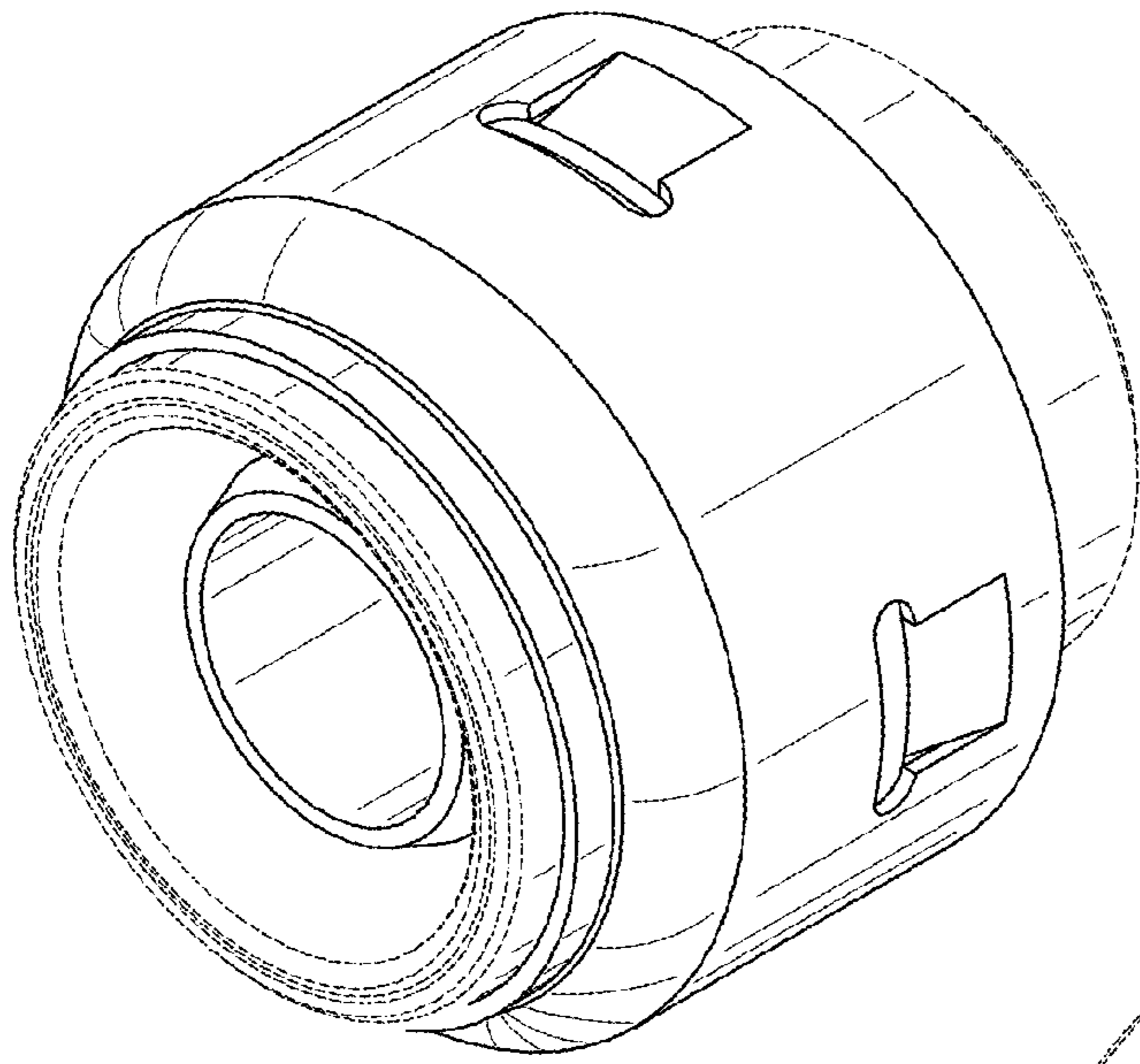
*Fig. 4*



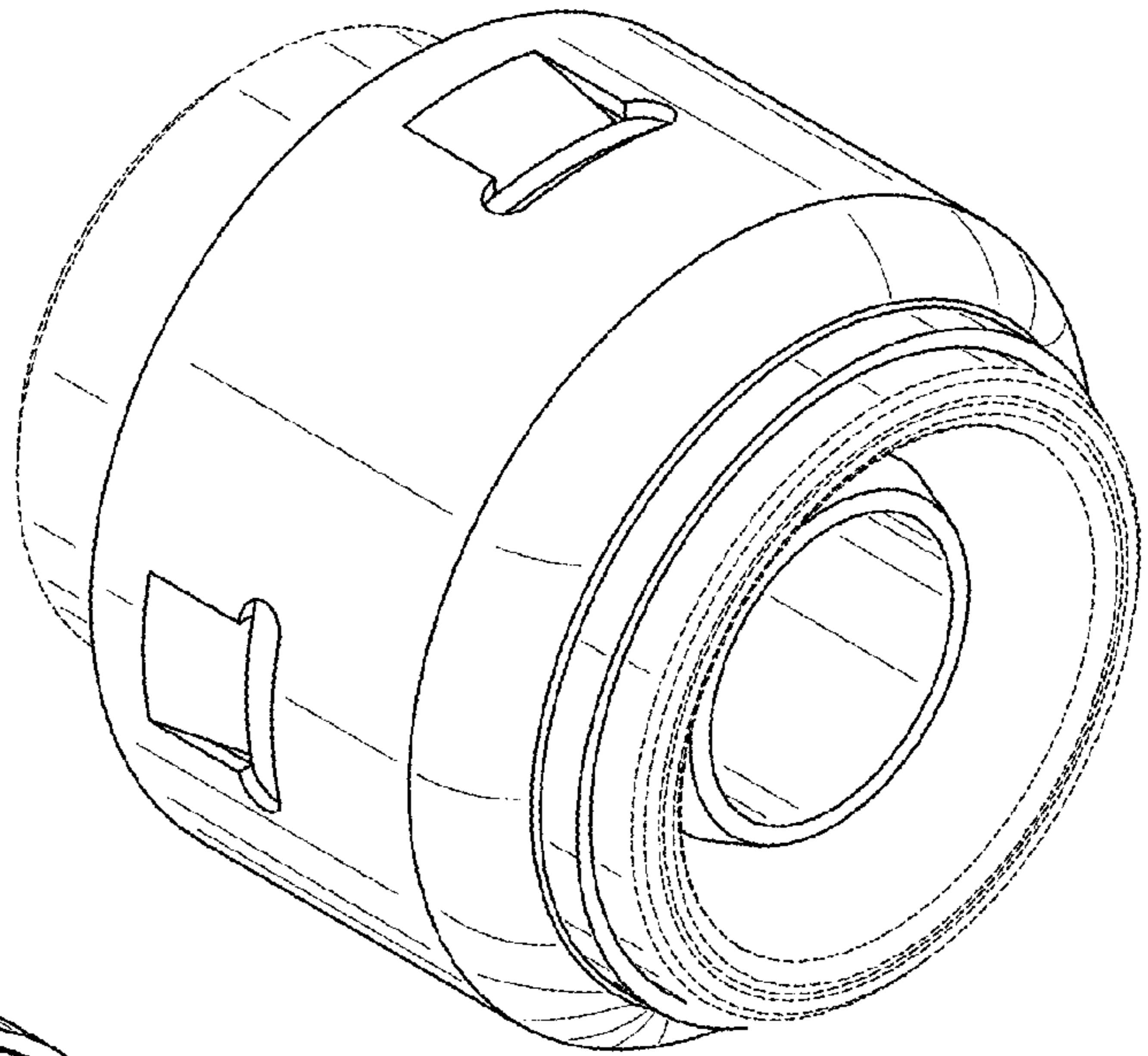
*Fig. 6*



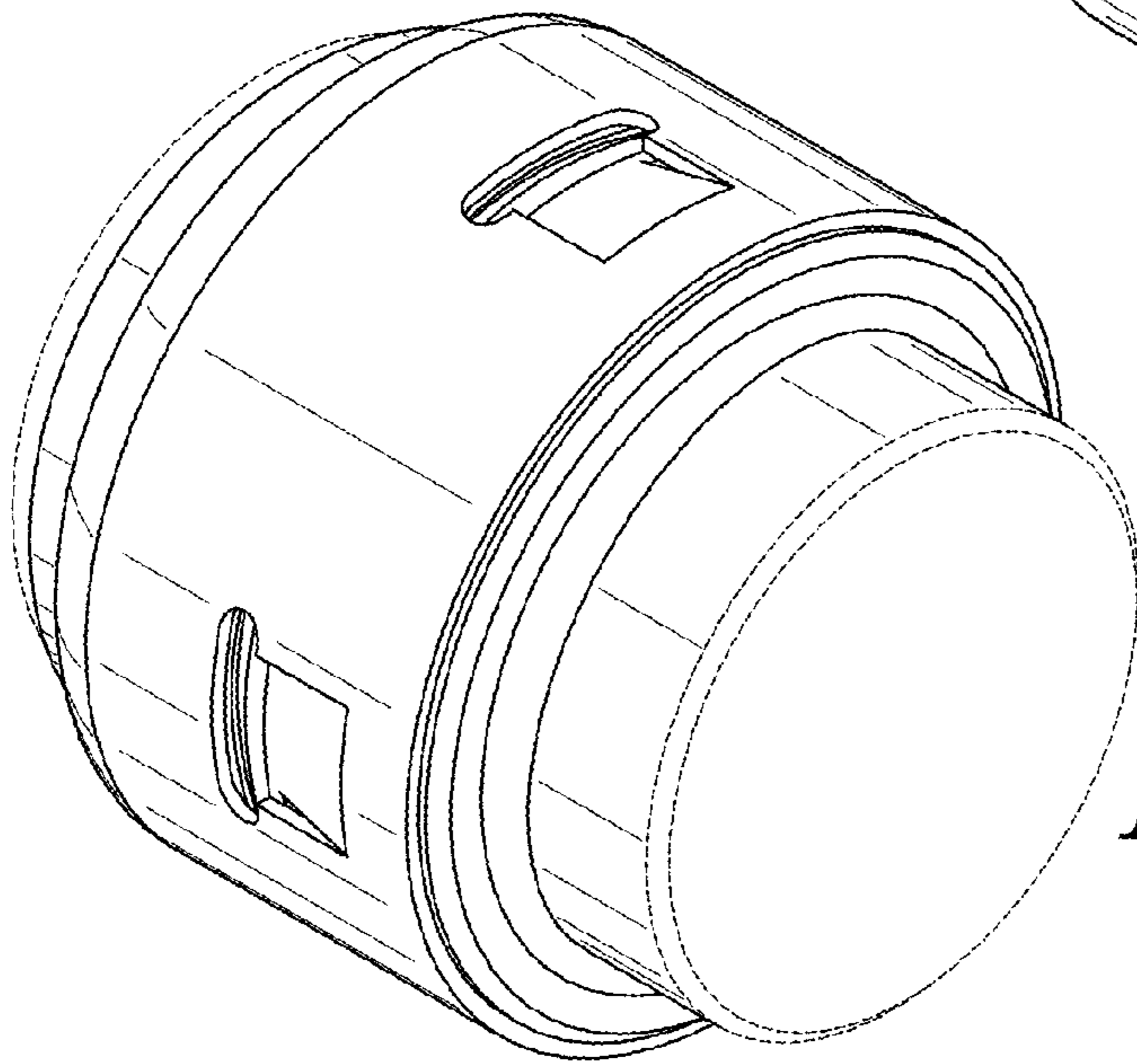
*Fig. 5*



*Fig. 7*



*Fig. 9*



*Fig. 8*