



US00D908845S

(12) **United States Design Patent**
Norton et al.

(10) **Patent No.:** **US D908,845 S**
(45) **Date of Patent:** **** Jan. 26, 2021**

- (54) **BRIDGE PIECE**
- (71) Applicant: **Cleveland Reclaim Industries, Inc.**,
Lorain, OH (US)
- (72) Inventors: **Tom Norton**, Bay Village, OH (US);
Stephen P. Casteel, Canal Fulton, OH
(US); **Michael W. Jackson**, Wooster,
OH (US)
- (73) Assignee: **Cleveland Reclaim Industries, Inc.**,
Lorain, OH (US)
- (**) Term: **15 Years**

1,914,830 A * 6/1933 Kostohris A62C 33/06
104/275
D205,277 S * 7/1966 Gilchrist D23/269
3,855,752 A * 12/1974 Aylon E04B 2/52
52/605
4,370,075 A * 1/1983 Scales E01C 9/004
405/20
D298,464 S * 11/1988 Roote D25/117
D313,102 S * 12/1990 Cano D34/32
D370,717 S 6/1996 Ziaylek, Jr.
5,777,266 A * 7/1998 Herman H02G 9/02
138/155
D415,471 S 10/1999 Henry
D418,818 S * 1/2000 Henry D13/155
6,067,681 A 5/2000 Zeinstra
D436,578 S * 1/2001 Henry D13/155

(Continued)

(21) Appl. No.: **29/679,834**

(22) Filed: **Feb. 11, 2019**

Related U.S. Application Data

(63) Continuation of application No. 29/544,094, filed on
Oct. 30, 2015, now Pat. No. Des. 844,757.

(51) **LOC (13) Cl.** **23-01**

(52) **U.S. Cl.**
USPC **D23/259**

(58) **Field of Classification Search**
USPC D23/259–261, 262–266; D8/354, 396;
D13/155; D34/32; D25/123, 125,
D25/113–118; 104/275–277; 404/15;
138/106, 110
CPC E02B 3/00; E02B 3/04; E02B 3/14; E02B
3/122; E02B 3/123; H02G 9/025; H02G
9/02; H02G 9/04
See application file for complete search history.

(56) **References Cited**

U.S. PATENT DOCUMENTS

679,570 A * 7/1901 McClurg A62C 33/06
104/275
1,137,313 A * 4/1915 Hamilton A62C 33/06
104/275

Primary Examiner — Amy C Wierenga

(74) *Attorney, Agent, or Firm* — Calfee, Halter &
Griswold LLP

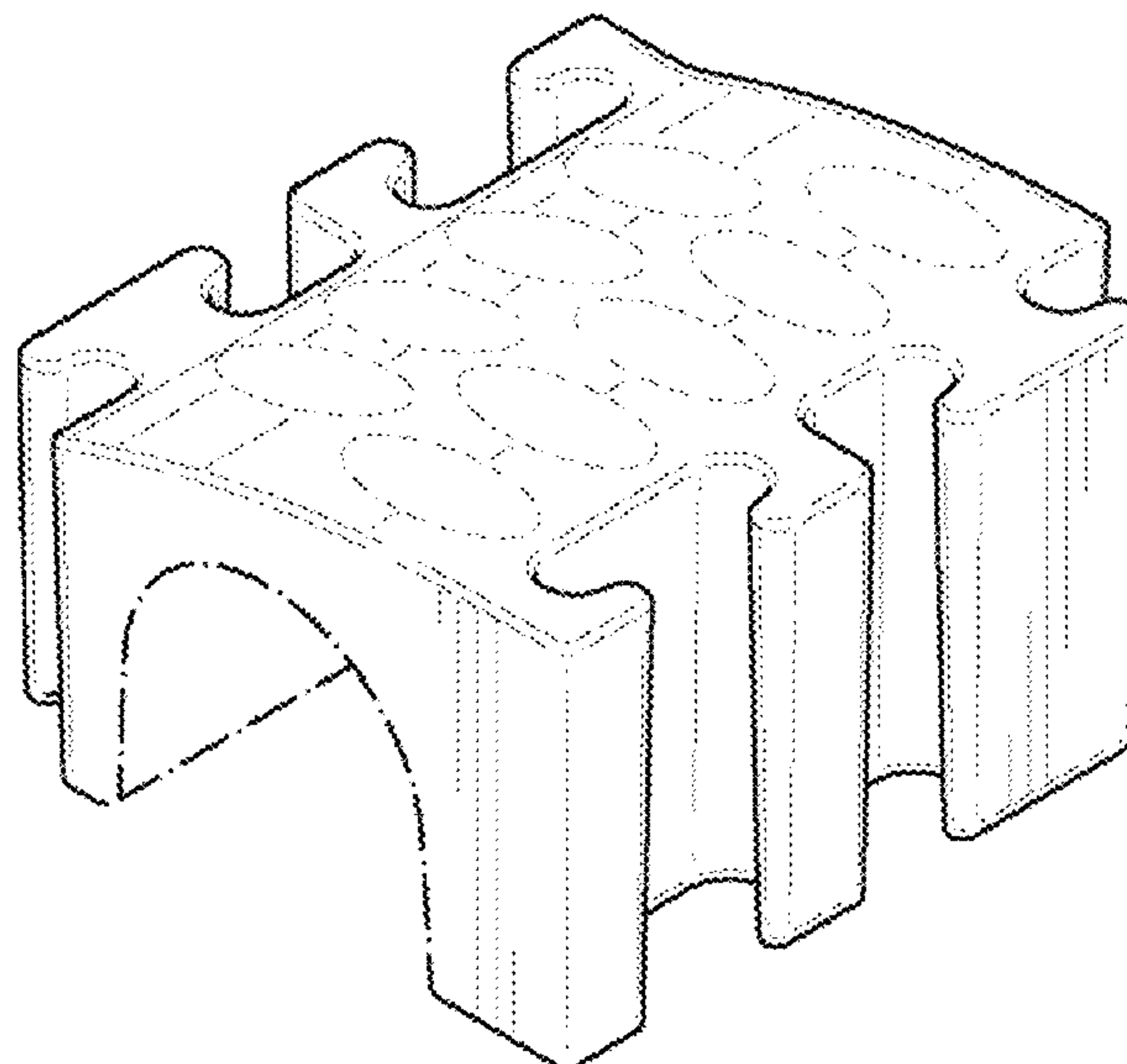
(57) **CLAIM**

We claim the ornamental design for a bridge piece, as shown
and described.

DESCRIPTION

FIG. 1 is a front, right, top perspective view of a bridge
piece;
FIG. 2 is a front elevation view thereof;
FIG. 3 is a rear elevation view thereof;
FIG. 4 is a right side elevation view thereof;
FIG. 5 is a left side elevation view thereof;
FIG. 6 is a top plan view thereof; and,
FIG. 7 is a bottom plan view thereof.
The broken lines immediately adjacent the shaded areas
represent the bounds of the claimed design, while all other
broken lines are directed to environment and are for illus-
trative purposes only; the broken lines form no part of the
claimed design.

1 Claim, 4 Drawing Sheets



(56)

References Cited

U.S. PATENT DOCUMENTS

D437,832 S *	2/2001	Henry	D13/155	D673,658 S *	1/2013	Dufresne	D23/266
6,202,565 B1 *	3/2001	Henry	A62C 33/06 104/275	D688,809 S *	8/2013	McAllister	D25/113
6,287,047 B1	9/2001	Dufresne			8,678,704 B1 *	3/2014	Smith	E02B 3/14 405/17
D463,041 S *	9/2002	Dice	D25/118	D705,514 S	5/2014	Tai		
6,508,041 B1 *	1/2003	Boot	E04B 2/18 52/578	D706,513 S	6/2014	LaBarbera		
D552,217 S	10/2007	Norton			D719,519 S *	12/2014	Mathena	D13/155
7,309,836 B2 *	12/2007	Lubanski	H02G 3/0418 104/275	D725,748 S	3/2015	Lake		
D567,913 S	4/2008	Norton			9,059,574 B2 *	6/2015	Coffman	H02G 9/04
7,394,025 B1 *	7/2008	Wong	H02G 3/305 104/275	D772,431 S	11/2016	Norton		
D583,771 S *	12/2008	Lubanski	D13/155	9,512,582 B2	12/2016	Hill		
7,595,450 B2 *	9/2009	Lubanski	H02G 9/025 104/275	9,834,927 B2 *	12/2017	Huff	H02G 3/285
8,123,435 B1 *	2/2012	DeShaw	E02B 3/14 405/16	D815,306 S	4/2018	Norton		
					D844,757 S	4/2019	Norton		
					2002/0078513 A1 *	6/2002	Schouest	B60P 1/43 14/69.5
					2003/0147705 A1 *	8/2003	McAllister	E02B 3/123 405/284
					2010/0282352 A1	11/2010	Maue		
					2010/0303555 A1 *	12/2010	Herse	E04C 1/395 405/286

* cited by examiner

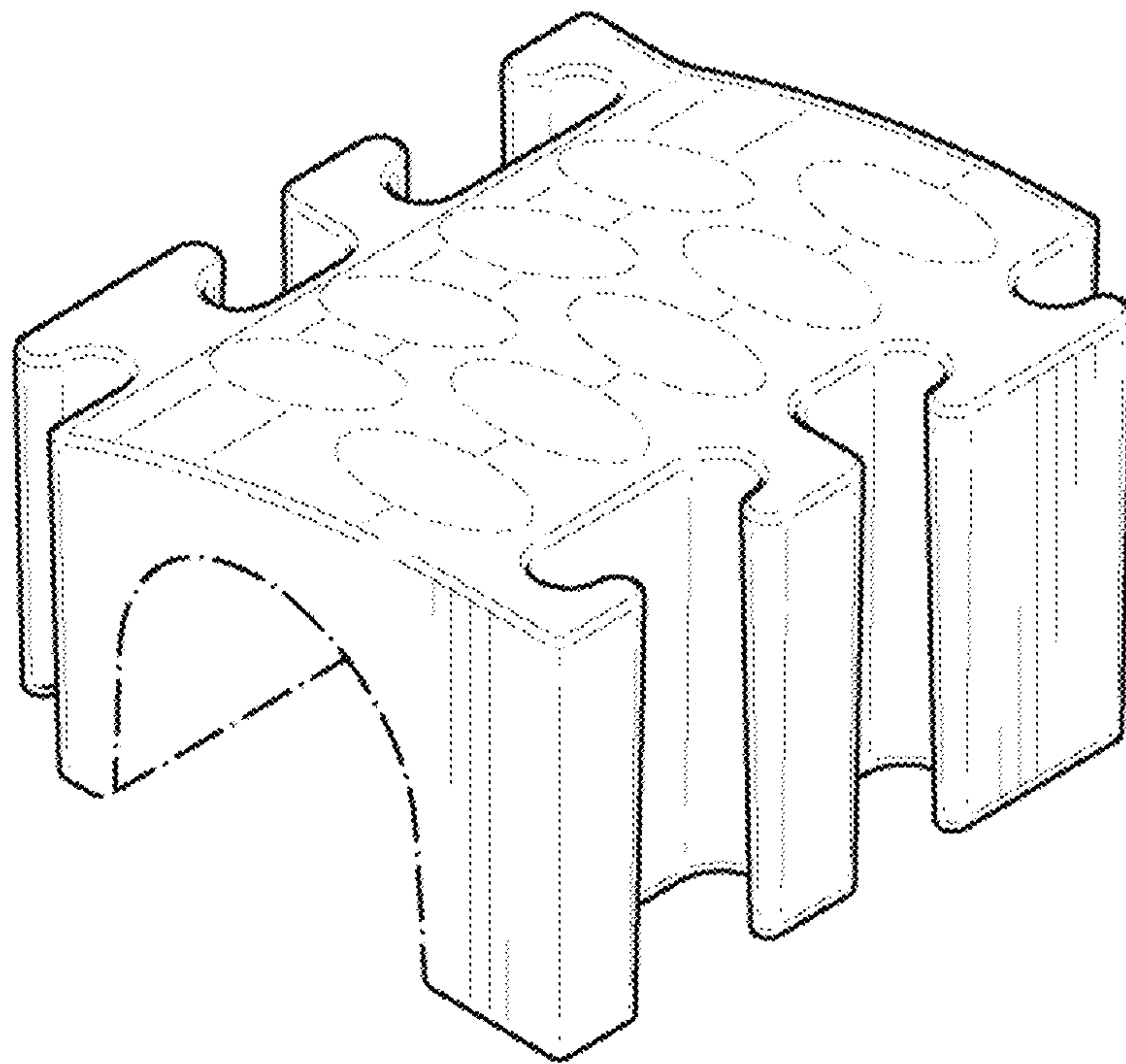


FIG. 1

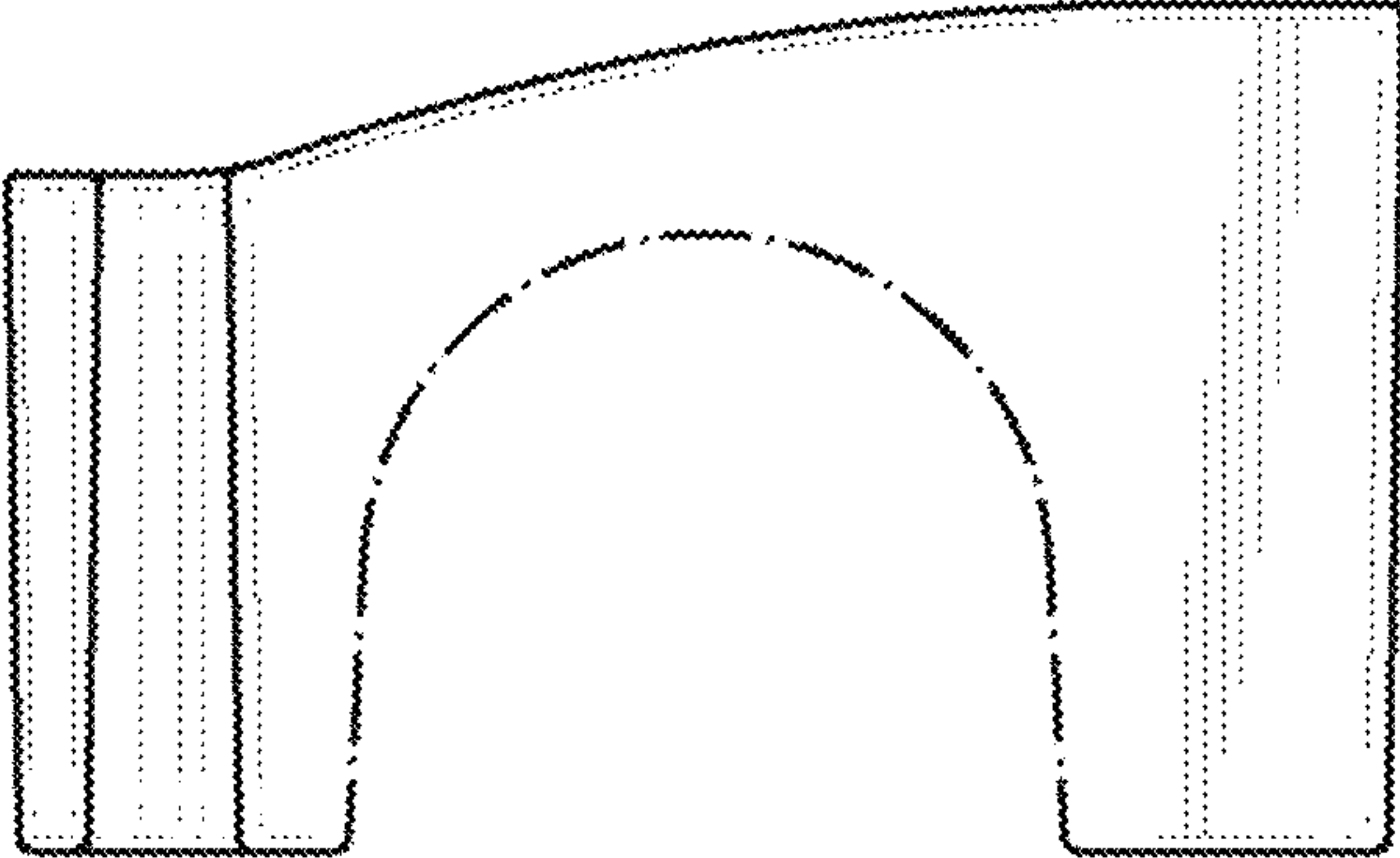


FIG. 2

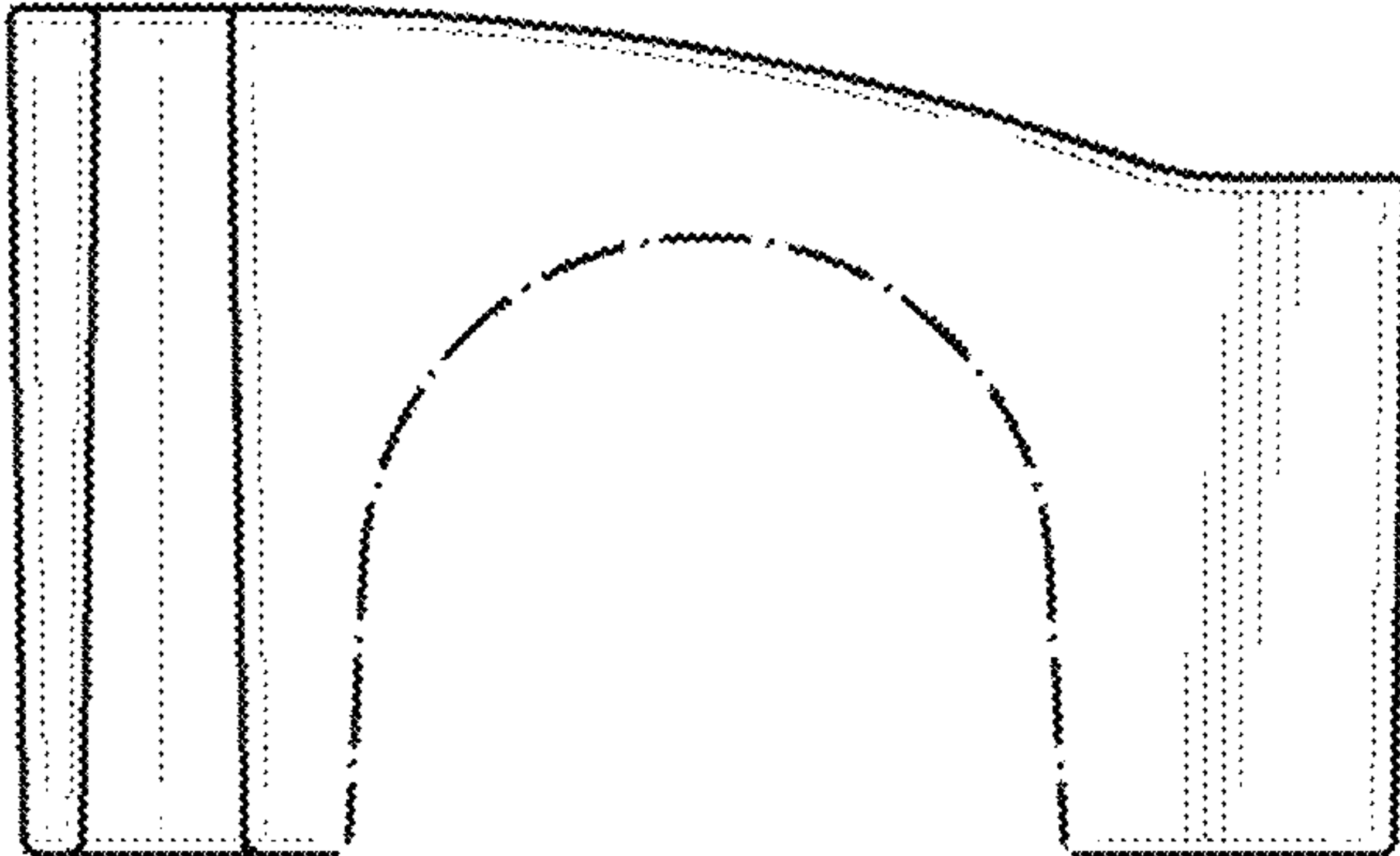


FIG. 3

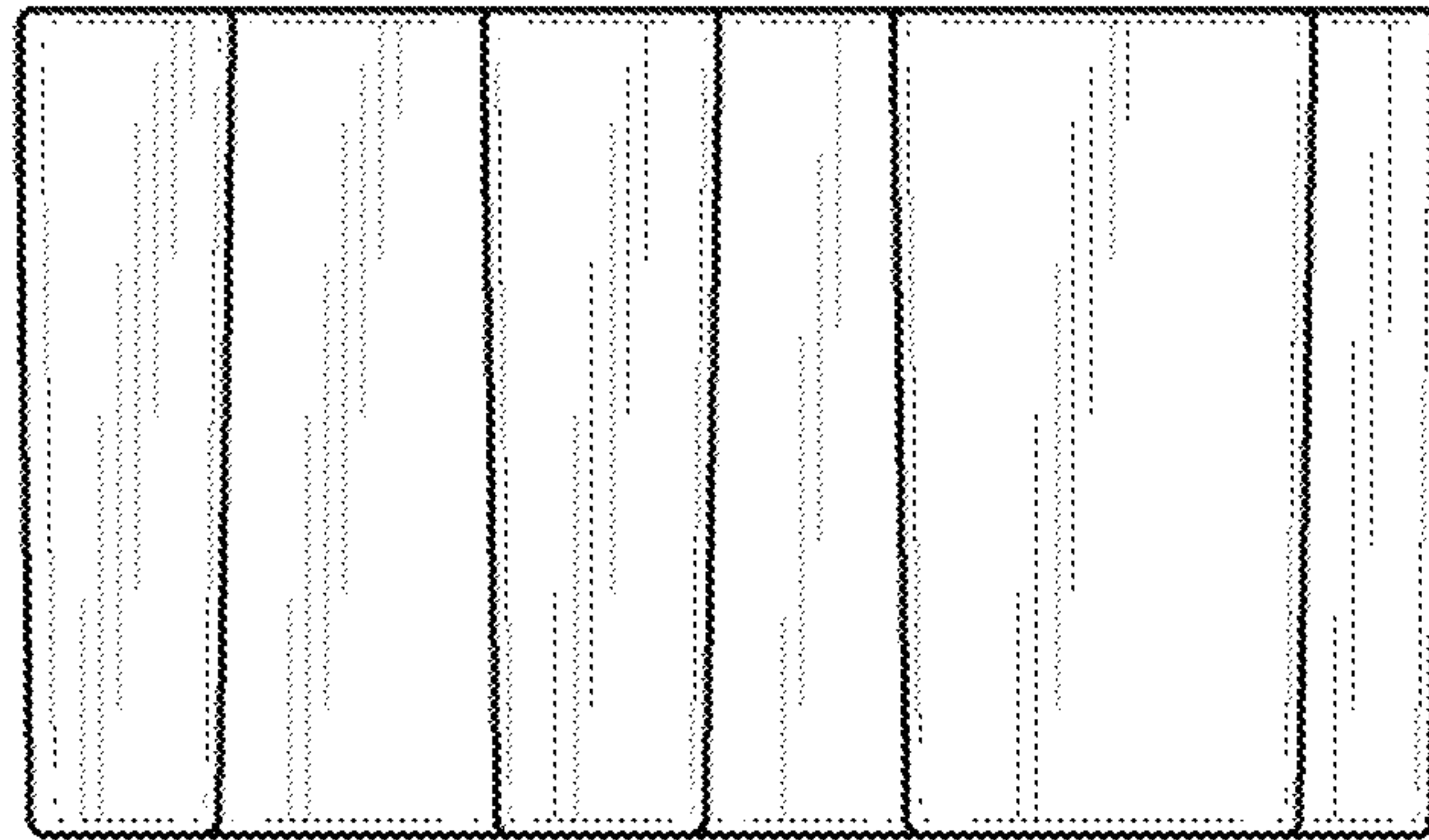


FIG. 4

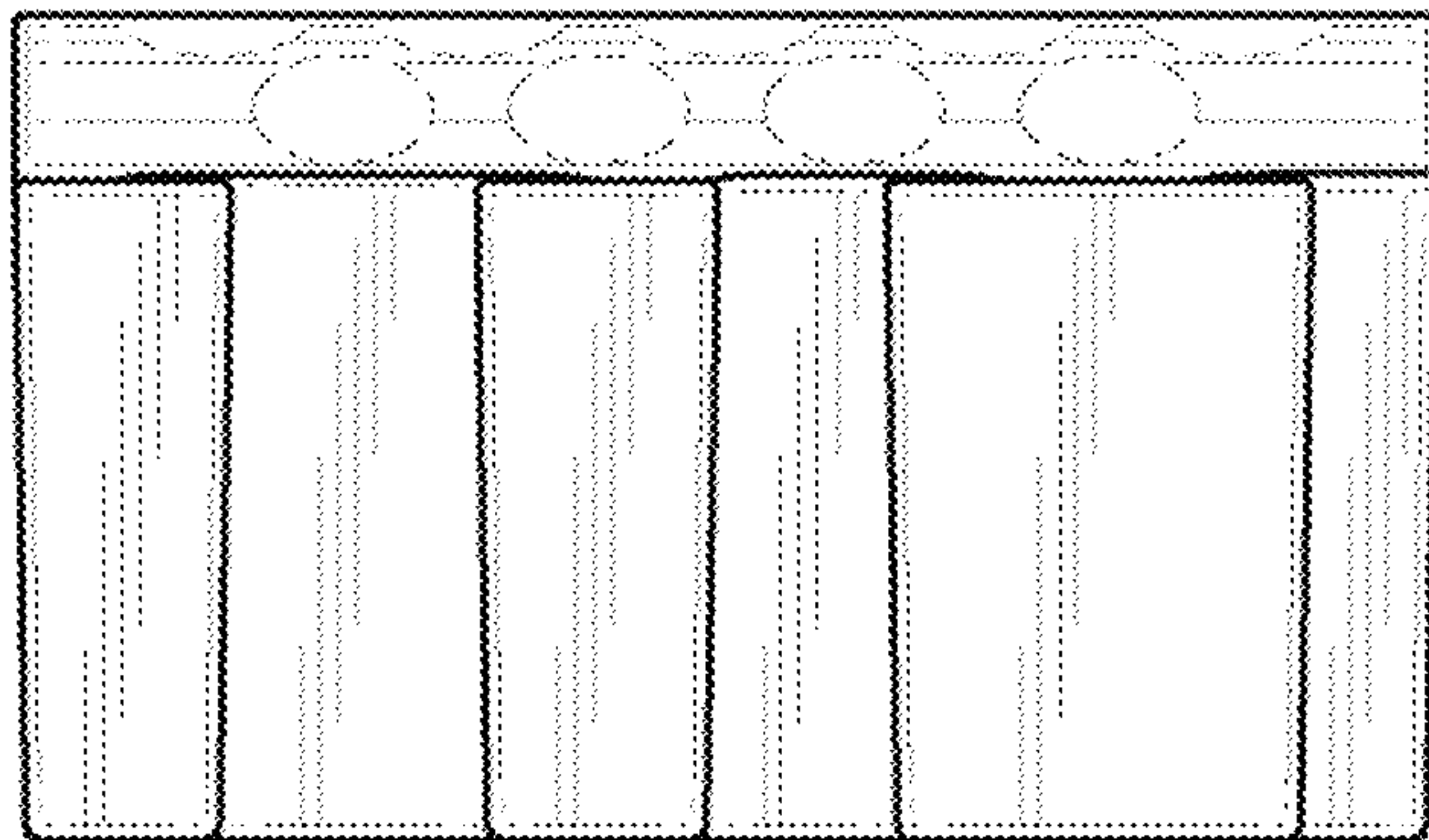


FIG. 5

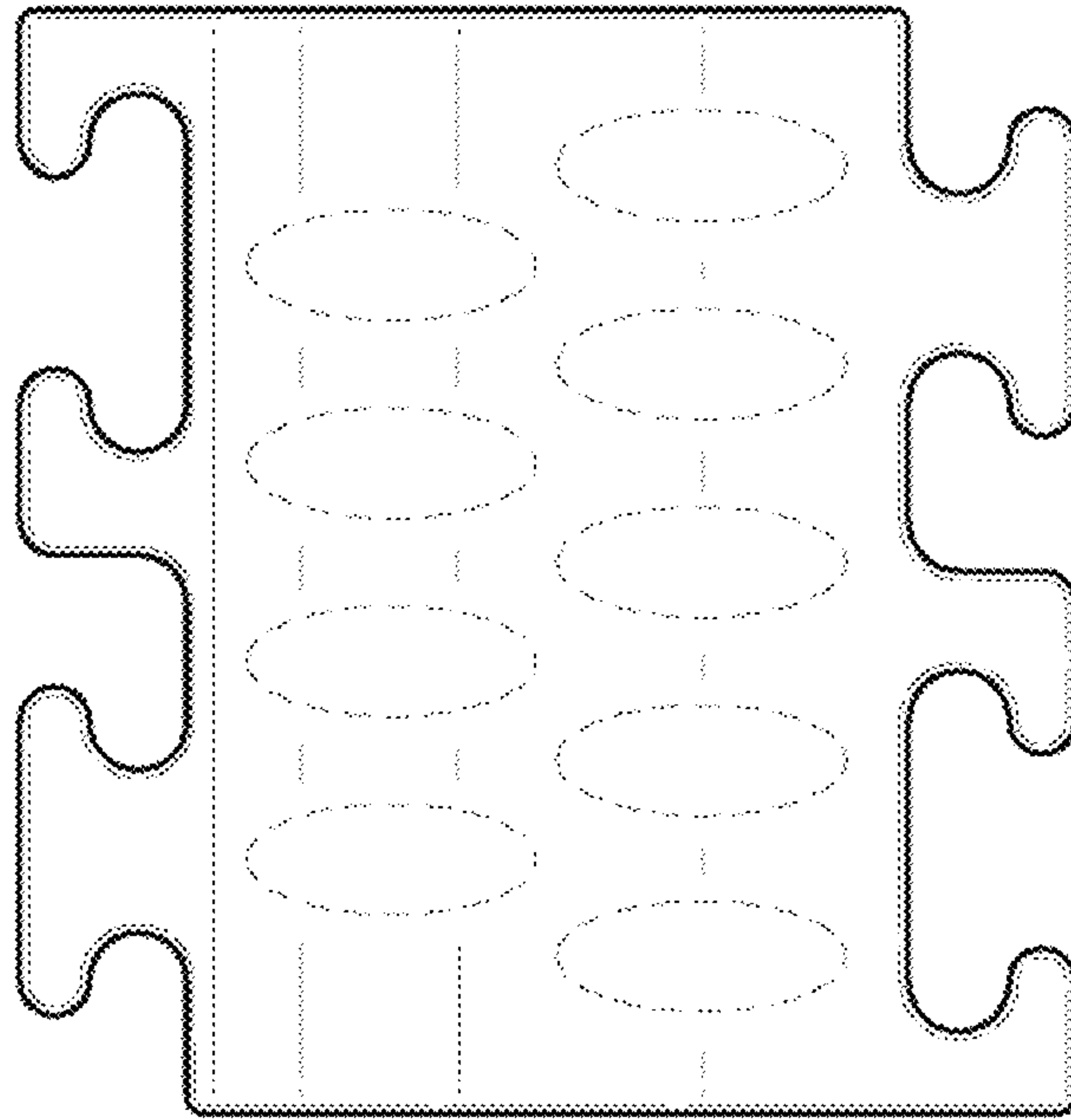


FIG. 6

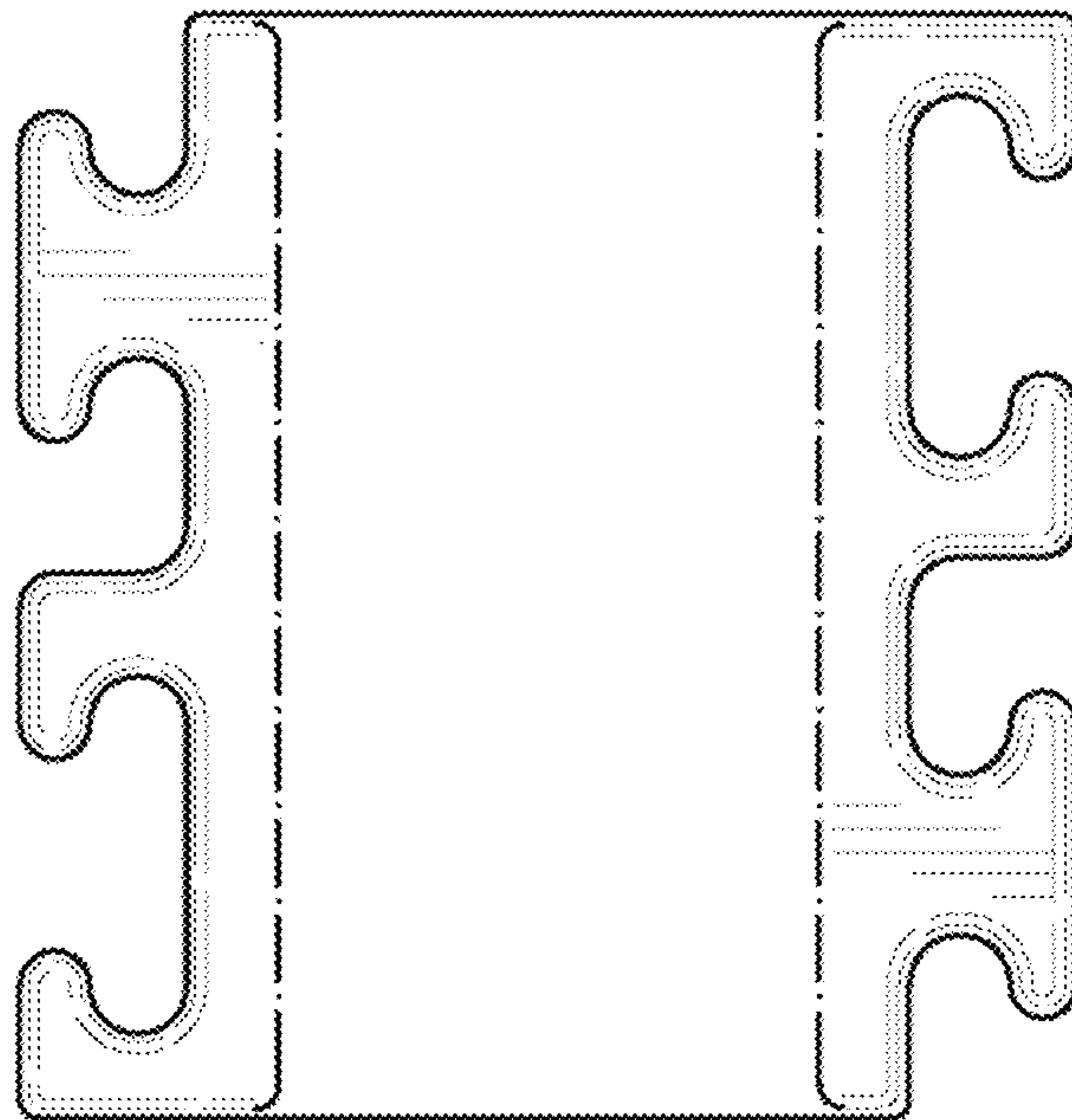


FIG. 7