



US00D908844S

(12) **United States Design Patent**  
**Johnson**

(10) **Patent No.:** **US D908,844 S**

(45) **Date of Patent:** **\*\* Jan. 26, 2021**

(54) **FAUCET**

(71) Applicant: **Kohler Co.**, Kohler, WI (US)

(72) Inventor: **Drew Johnson**, Sheboygan, WI (US)

(73) Assignee: **KOHLER CO.**, Kohler, WI (US)

(\*\*) Term: **15 Years**

(21) Appl. No.: **29/745,208**

(22) Filed: **Aug. 4, 2020**

**Related U.S. Application Data**

(62) Division of application No. 29/674,121, filed on Dec. 19, 2018, now Pat. No. Des. 895,074.

(51) **LOC (13) Cl.** ..... **23-01**

(52) **U.S. Cl.**  
USPC ..... **D23/257**

(58) **Field of Classification Search**  
USPC ..... D23/238, 241–243, 249, 255, 257  
CPC ..... Y10T 137/9464; Y10T 137/6014; Y10T  
137/6017  
See application file for complete search history.

(56) **References Cited**

**U.S. PATENT DOCUMENTS**

D266,452 S 10/1982 Fleischmann et al.  
D295,664 S 5/1988 Kohler, Jr. et al.  
D417,262 S 11/1999 Caplow

D488,539 S 4/2004 McKeone  
D508,978 S 8/2005 Otero  
D529,589 S 10/2006 Veltz et al.  
D530,792 S 10/2006 Kohler, Jr. et al.  
D530,793 S 10/2006 Sutopo  
D531,279 S 10/2006 Blomstrom  
D546,424 S 7/2007 Kohler, Jr. et al.  
D573,695 S 7/2008 Rexach  
D581,029 S 11/2008 Gilbert  
D583,442 S 12/2008 Montgomery et al.  
D811,556 S 2/2018 Garland

*Primary Examiner* — Robert A Delehanty

(74) *Attorney, Agent, or Firm* — Foley & Lardner LLP

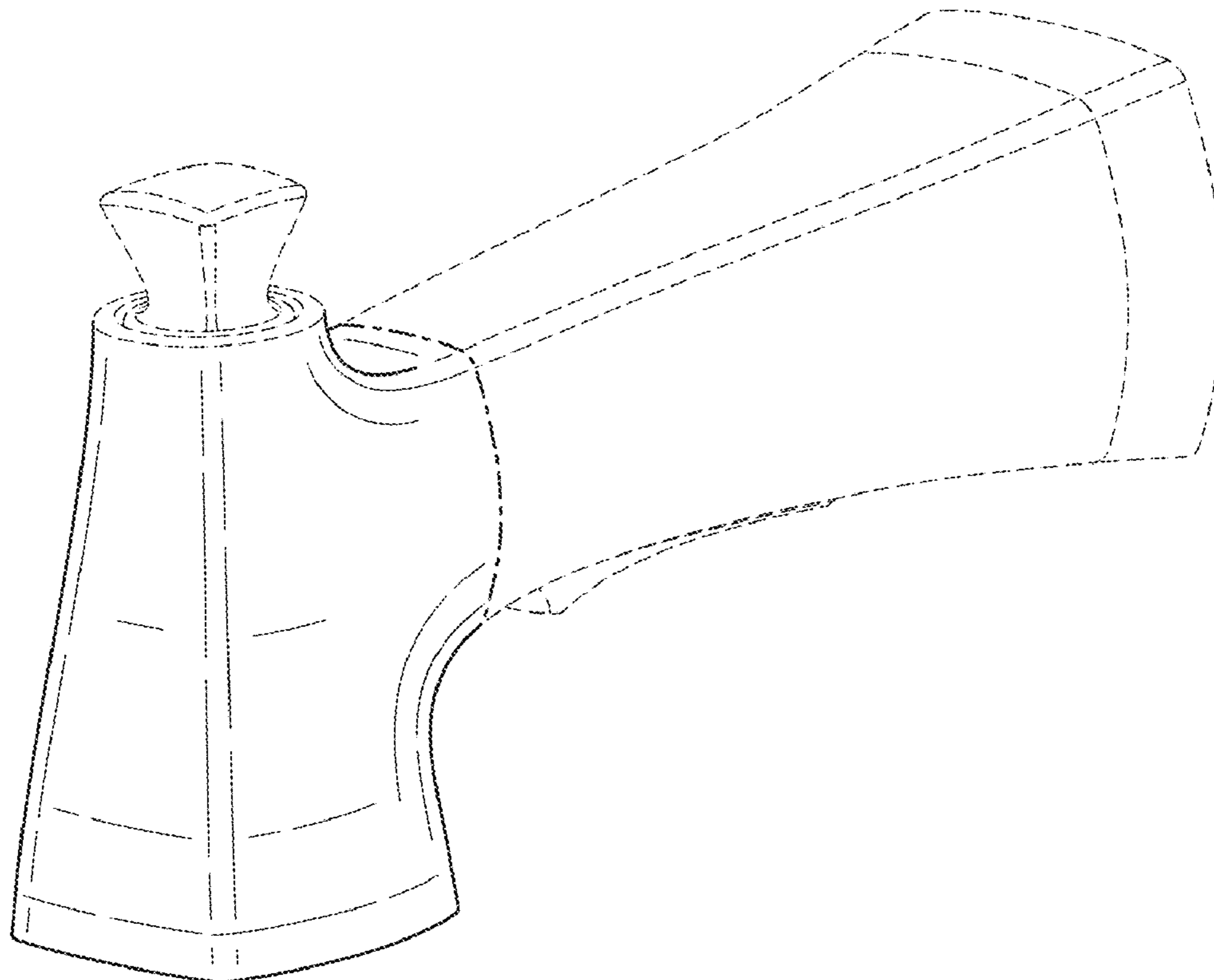
(57) **CLAIM**

I claim the ornamental design for a faucet, as shown and described.

**DESCRIPTION**

FIG. 1 is a perspective view of the claimed design; FIG. 2 is a front view of the embodiment of FIG. 1; FIG. 3 is a rear view of the embodiment of FIG. 1; FIG. 4 is a side view of the embodiment of FIG. 1; FIG. 5 is another side view of the embodiment of FIG. 1; FIG. 6 is a top view of the embodiment of FIG. 1; and, FIG. 7 is a bottom view of the embodiment of FIG. 1. The ornamental design which is claimed is shown in solid lines in the drawings. The broken lines in the drawings are for illustrative purposes only and form no part of the claimed design. Broken lines formed of unequal length dashes (i.e., dash-dot) define bounds of the claimed design.

**1 Claim, 4 Drawing Sheets**



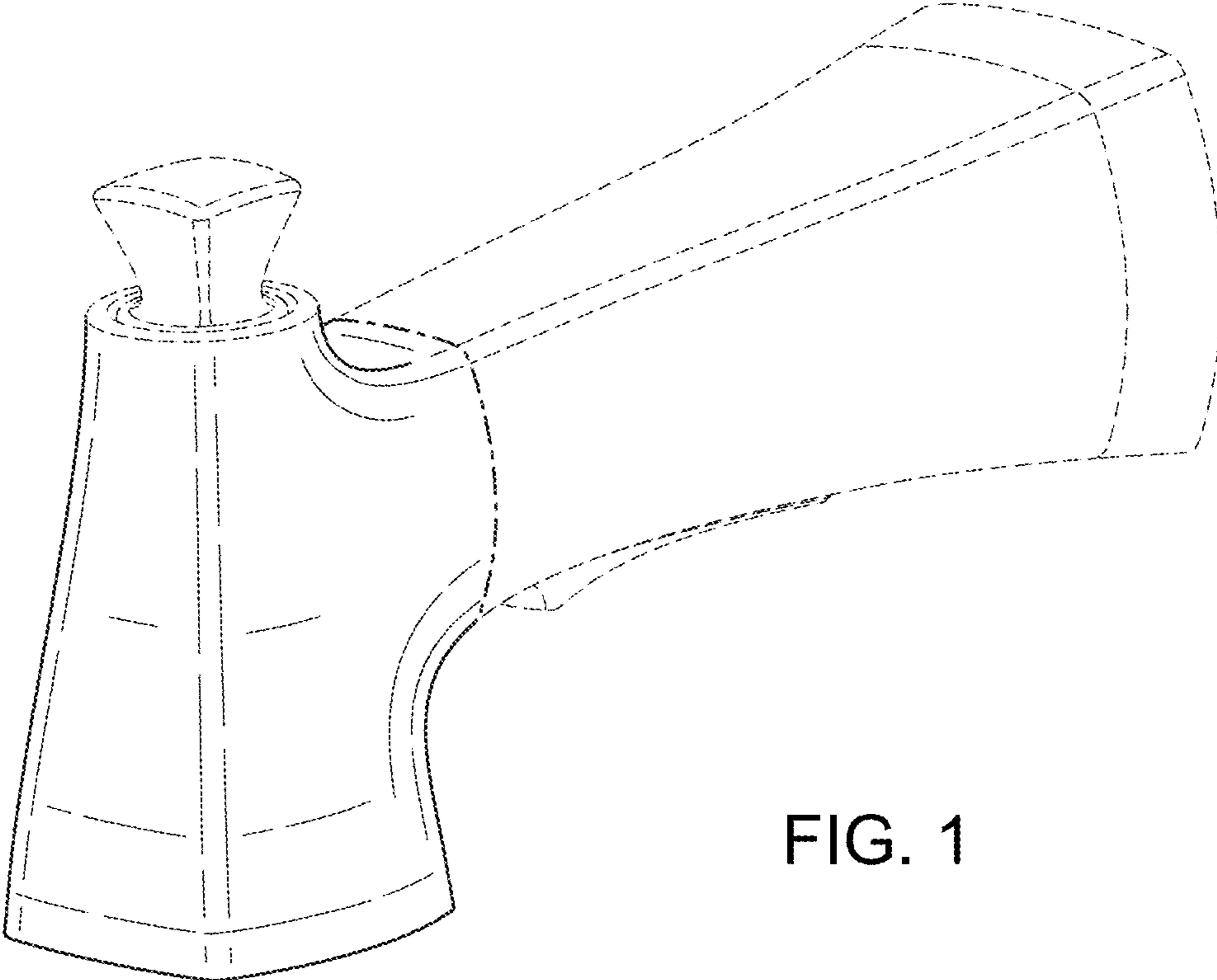


FIG. 1

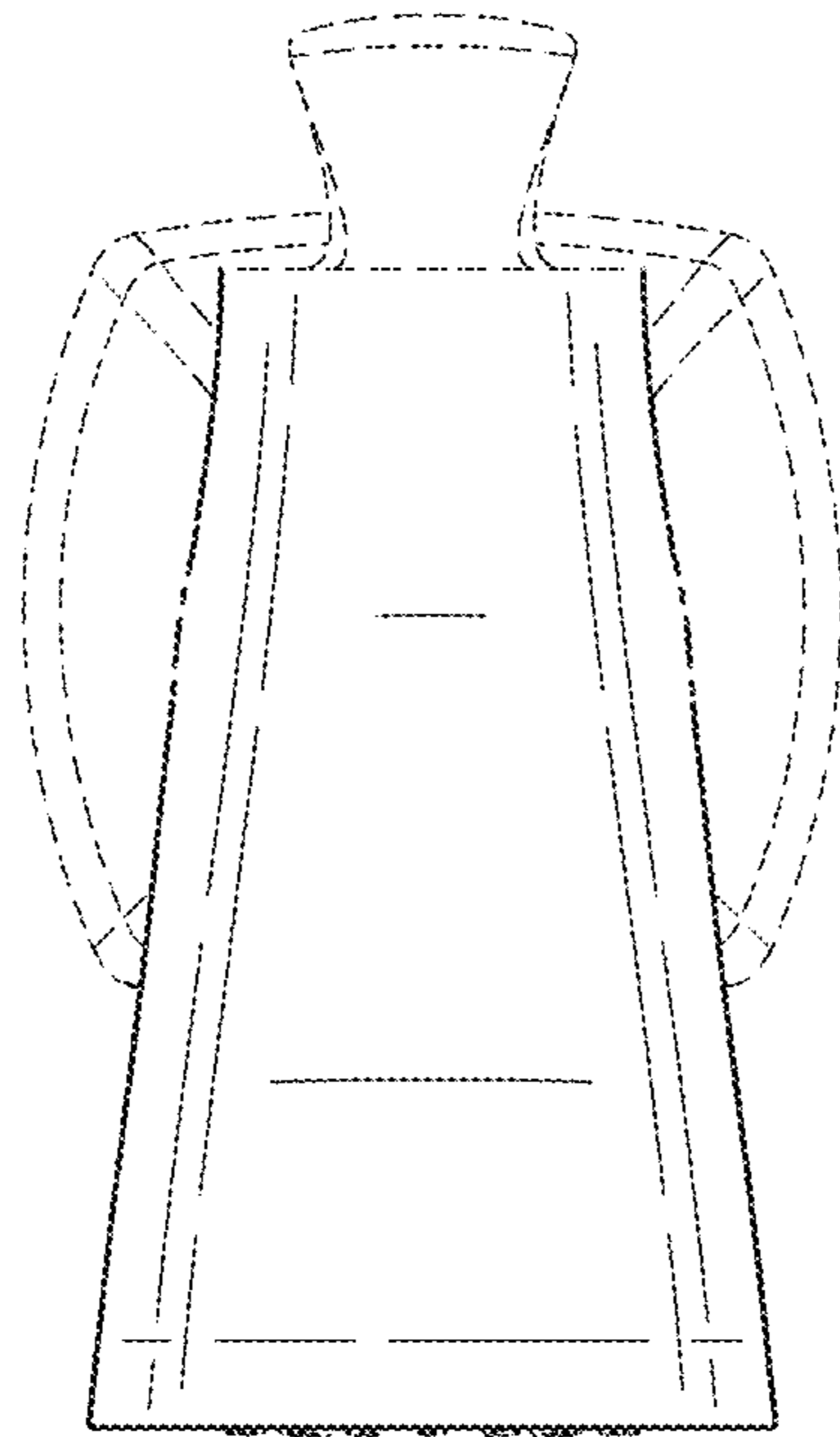


FIG. 2

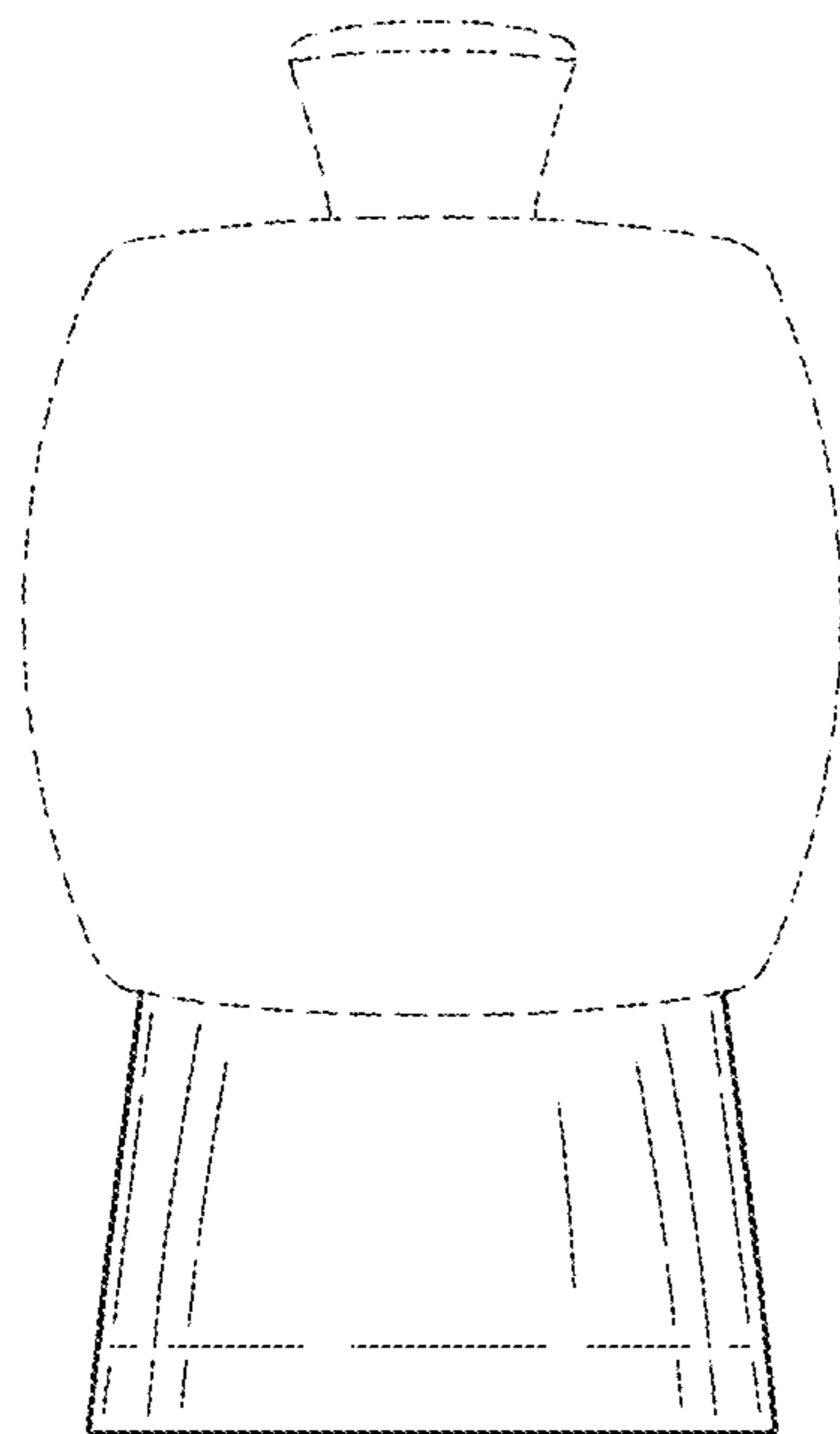


FIG. 3

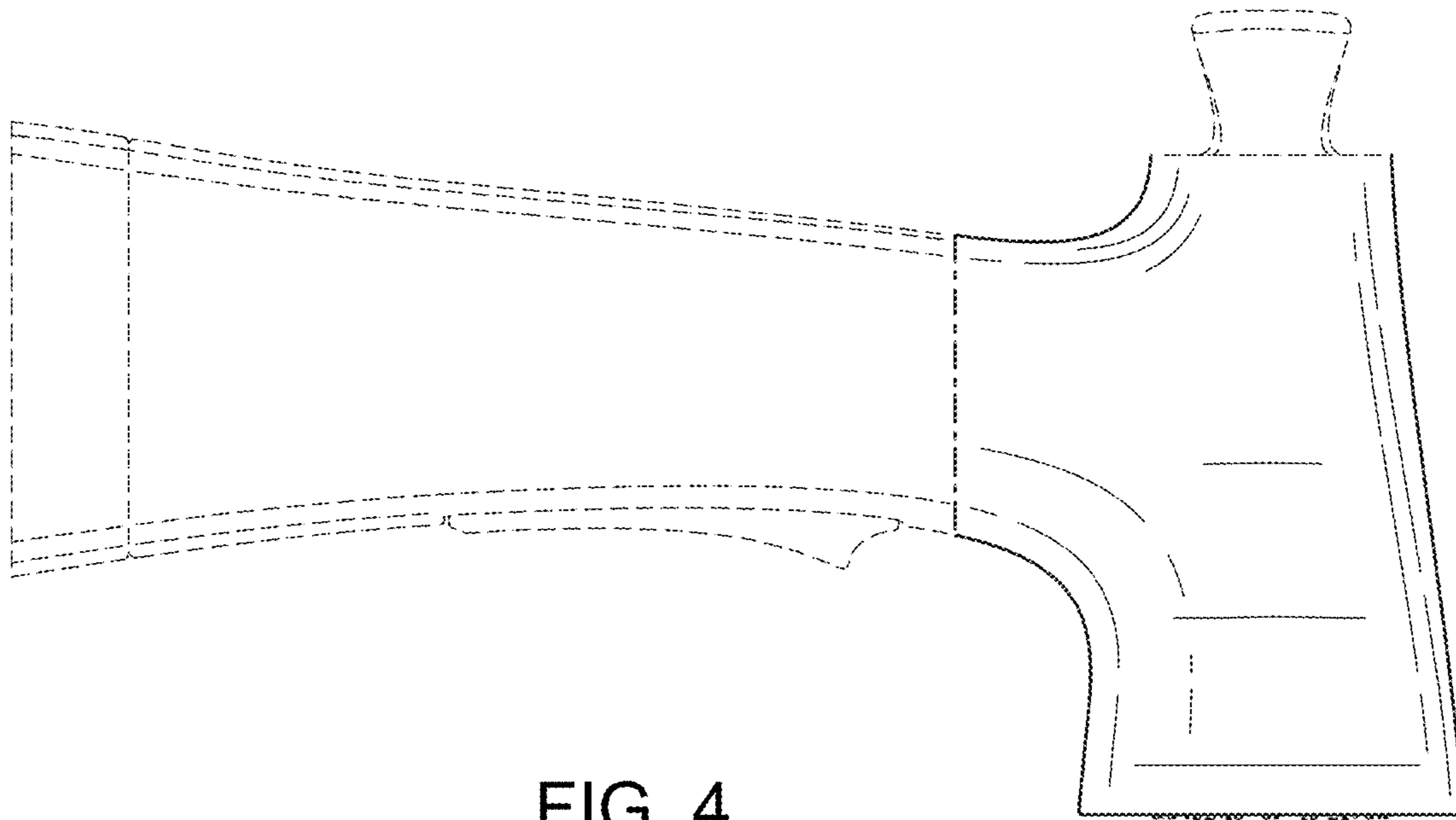


FIG. 4

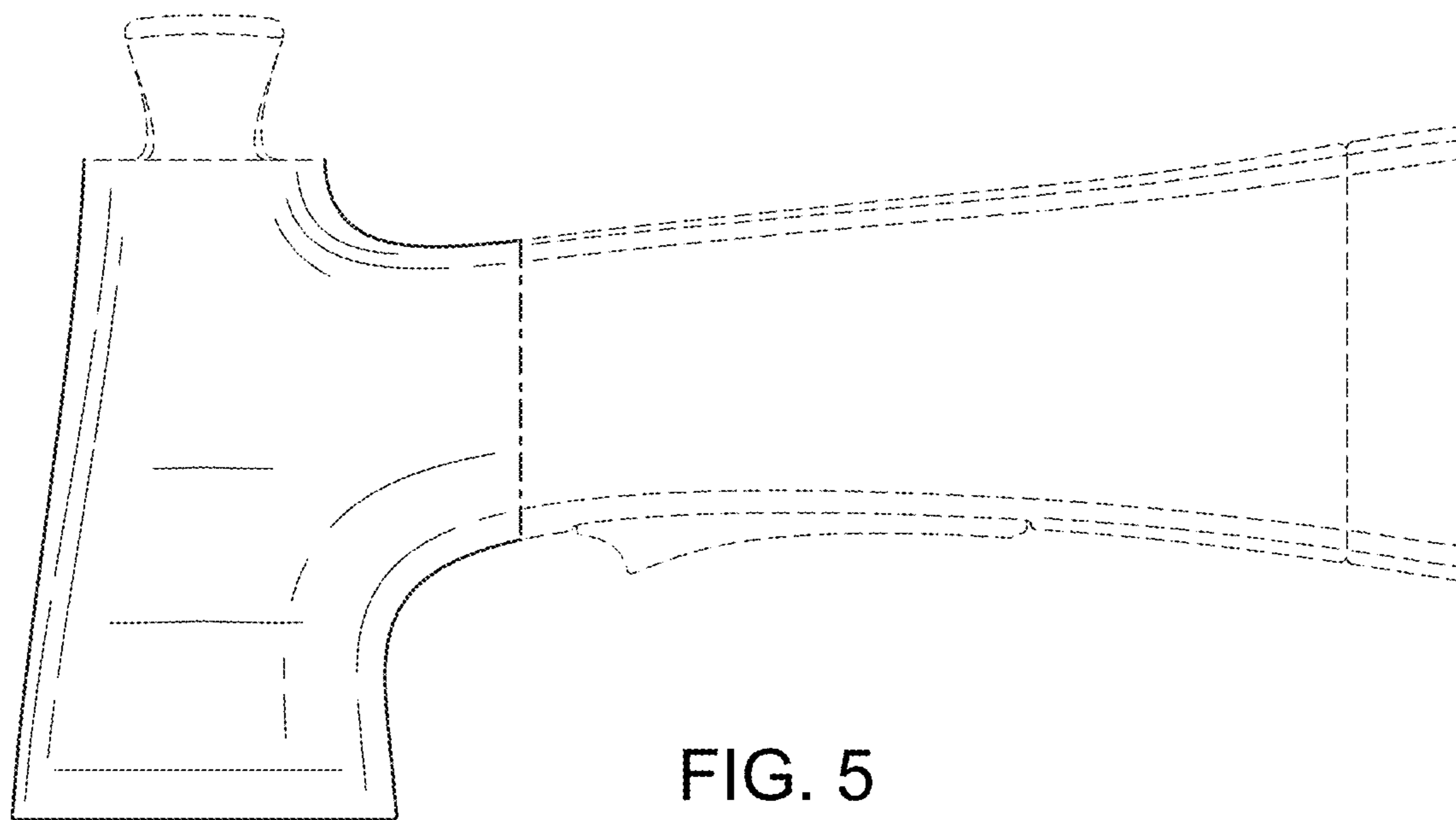


FIG. 5

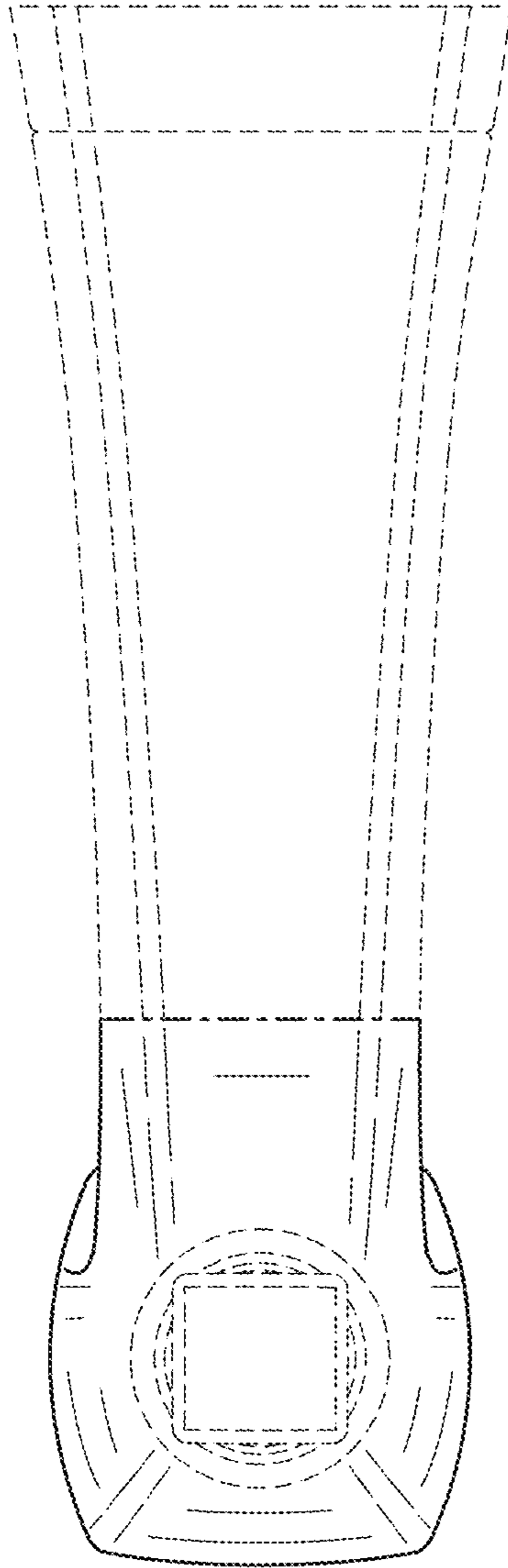


FIG. 6

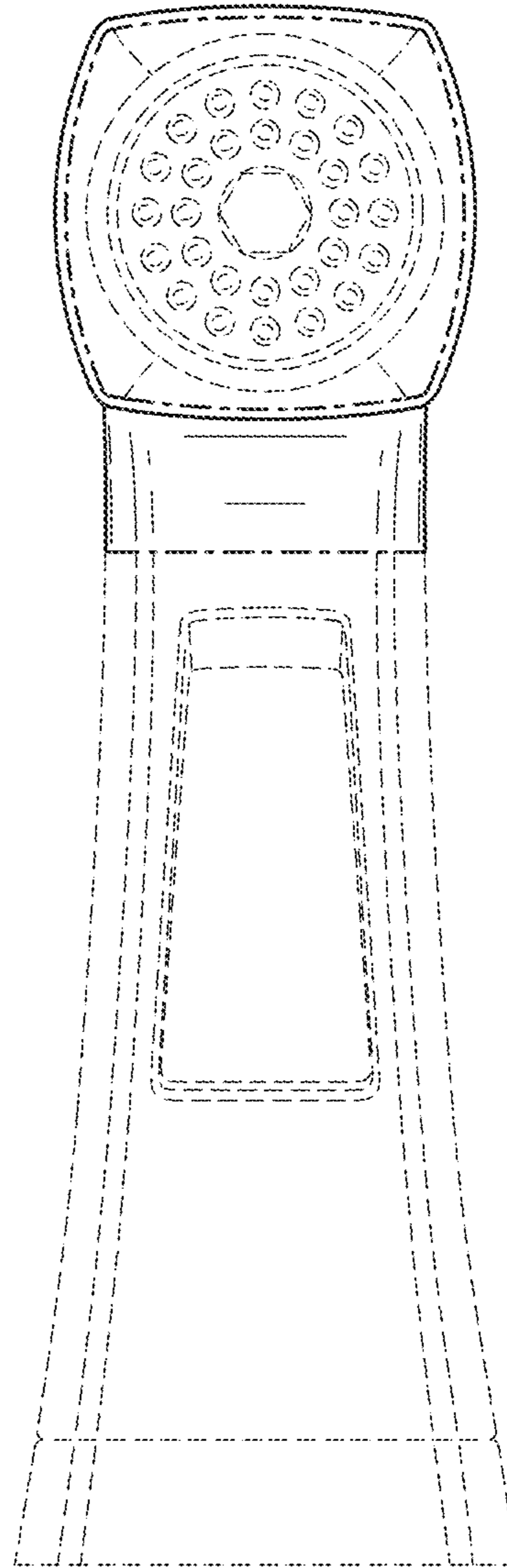


FIG. 7