



US00D908842S

(12) **United States Design Patent** (10) **Patent No.:** **US D908,842 S**
Johnson (45) **Date of Patent:** **** Jan. 26, 2021**

(54) **FAUCET**
(71) Applicant: **Kohler Co.**, Kohler, WI (US)
(72) Inventor: **Drew Johnson**, Sheboygan, WI (US)
(73) Assignee: **KOHLER CO.**, Kohler, WI (US)
(**) Term: **15 Years**
(21) Appl. No.: **29/733,394**
(22) Filed: **May 1, 2020**

D795,397 S 8/2017 Clarke
D797,257 S * 9/2017 Potter D23/255
D797,902 S * 9/2017 Georgeson D23/255
D812,195 S 3/2018 Clarke
D812,196 S 3/2018 Clarke
D820,399 S 6/2018 Garland
D848,578 S 5/2019 Garland
D852,325 S * 6/2019 Eads D23/238
D855,158 S 7/2019 Eads
D857,166 S 8/2019 Spangler
D861,832 S * 10/2019 Zeng D23/238
D867,526 S * 11/2019 Garland D23/213
D867,527 S * 11/2019 Eads D23/213
D895,068 S * 9/2020 Johnson D23/238

* cited by examiner

Related U.S. Application Data

(62) Division of application No. 29/674,097, filed on Dec. 19, 2018, now Pat. No. Des. 895,066.
(51) **LOC (13) Cl.** **23-01**
(52) **U.S. Cl.**
USPC **D23/226**
(58) **Field of Classification Search**
USPC D23/238, 241–243, 249–250, 252,
D23/254–255, 257, 213, 226;
D8/307–308
CPC Y10T 137/9464; Y10T 137/6014; Y10T
137/6017
See application file for complete search history.

Primary Examiner — Robert A Delehanty

(74) *Attorney, Agent, or Firm* — Foley & Lardner LLP

(57) **CLAIM**

I claim the ornamental design for a faucet, as shown and described.

DESCRIPTION

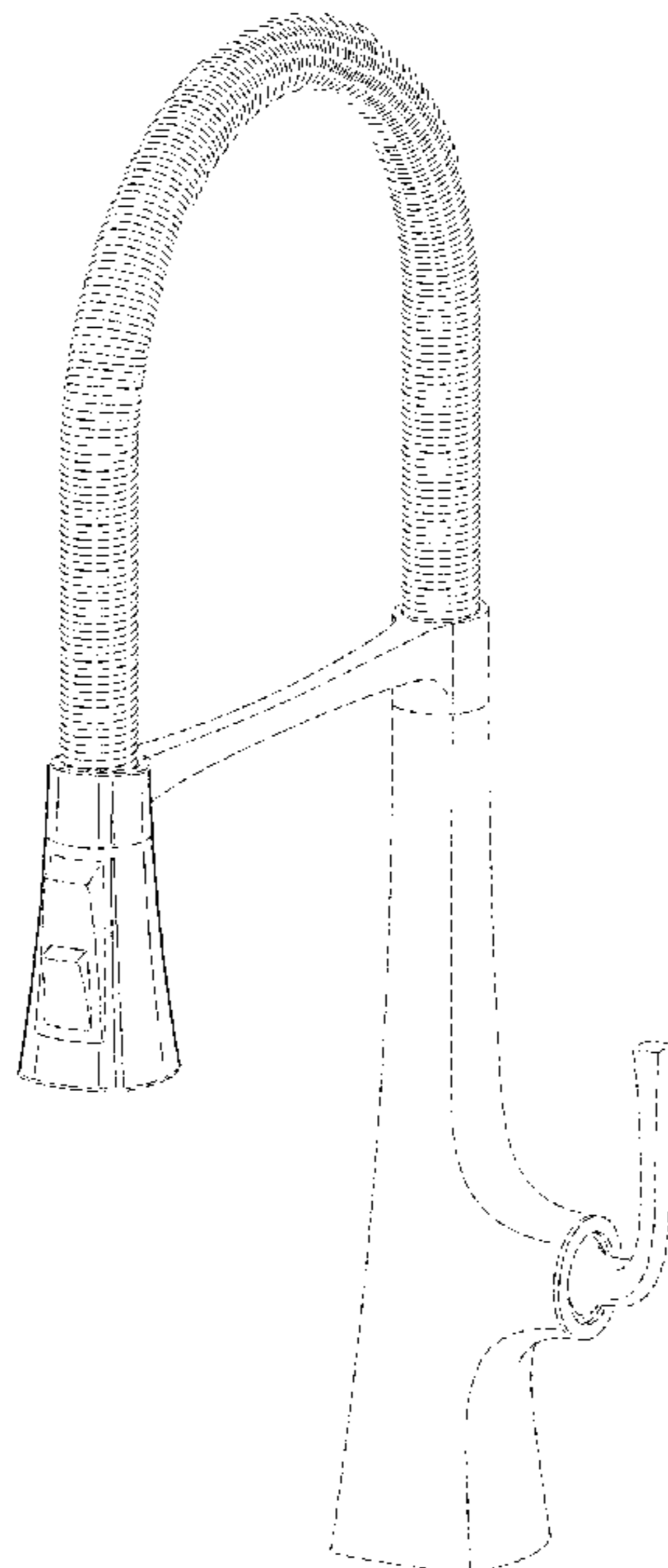
FIG. 1 is a perspective view of an embodiment of the claimed design;
FIG. 2 is a side view of the embodiment of FIG. 1;
FIG. 3 is another side view of the embodiment of FIG. 1;
FIG. 4 is a front view of the embodiment of FIG. 1;
FIG. 5 is a rear view of the embodiment of FIG. 1;
FIG. 6 is a top view of the embodiment of FIG. 1; and,
FIG. 7 is a bottom view of the embodiment of FIG. 1.
The ornamental design which is claimed is shown in solid lines in the drawings. The broken lines in the drawings are for illustrative purposes only and form no part of the claimed design. Broken lines formed of unequal length dashes (i.e., dash-dot) define bounds of the claimed design.

(56) **References Cited**

U.S. PATENT DOCUMENTS

D573,696 S 7/2008 Eilmus
D577,421 S 9/2008 Williams
D585,112 S 1/2009 Kohler et al.
D713,939 S 9/2014 Mazz et al.
D721,791 S 1/2015 Bahler
D754,301 S * 4/2016 Bahler D23/255
D795,396 S * 8/2017 Kaule D23/255

1 Claim, 5 Drawing Sheets



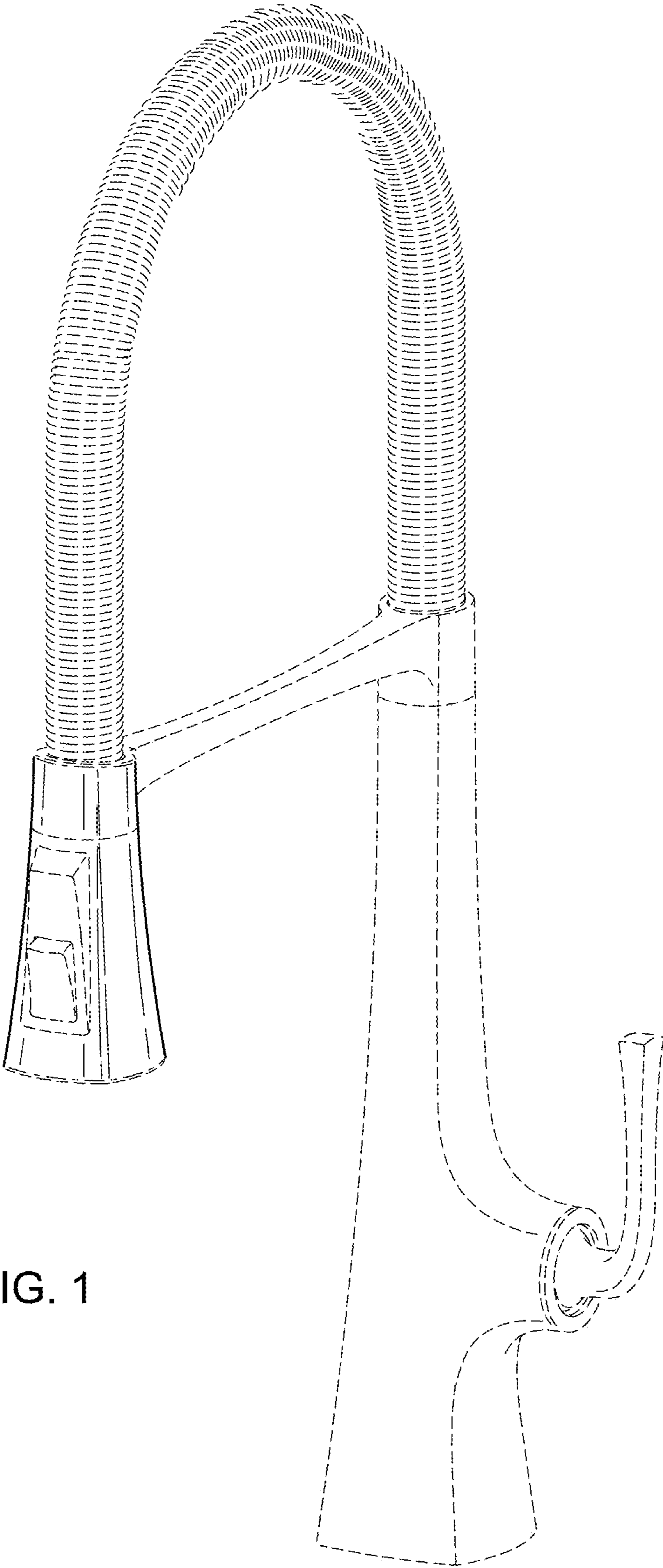


FIG. 1

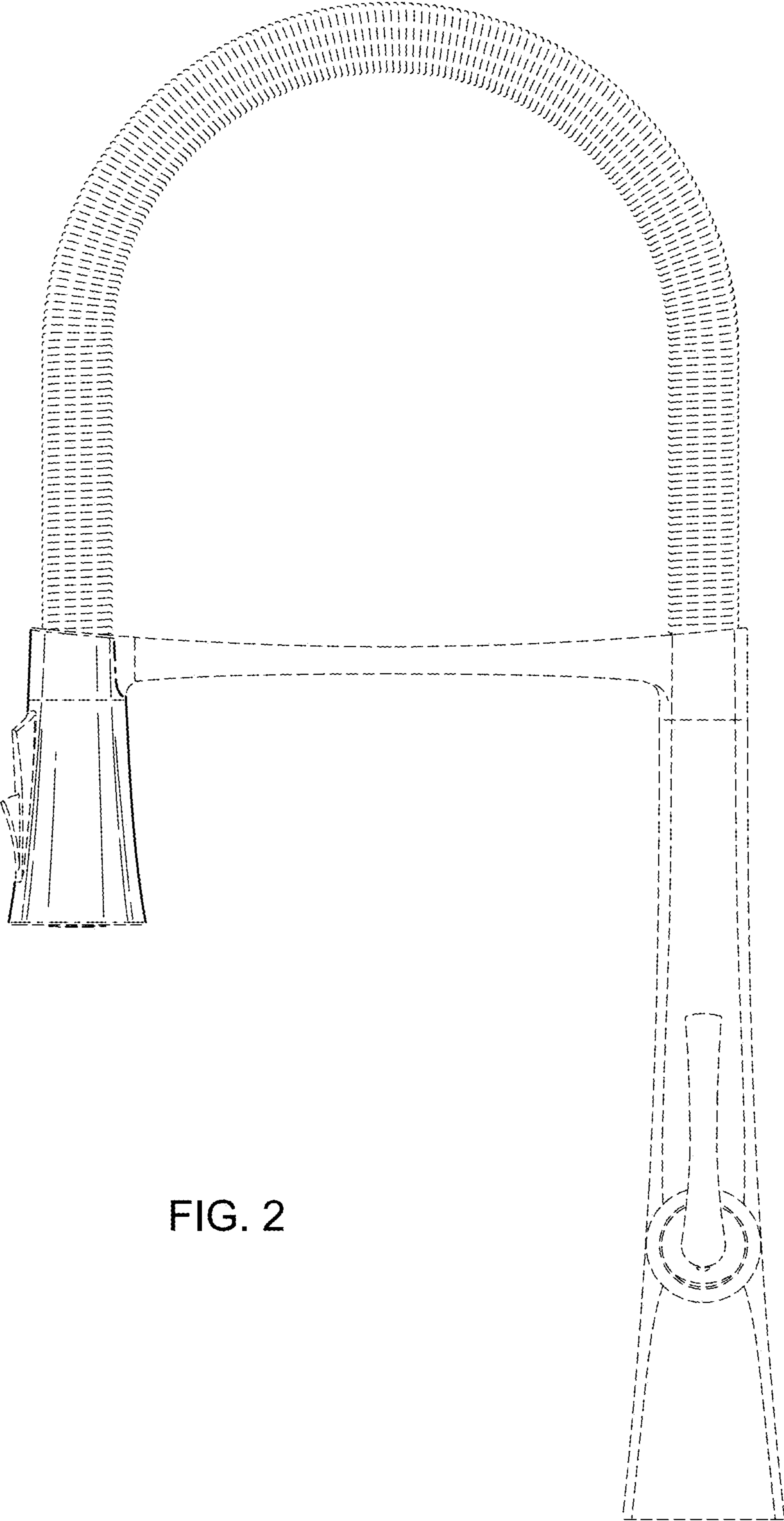


FIG. 2

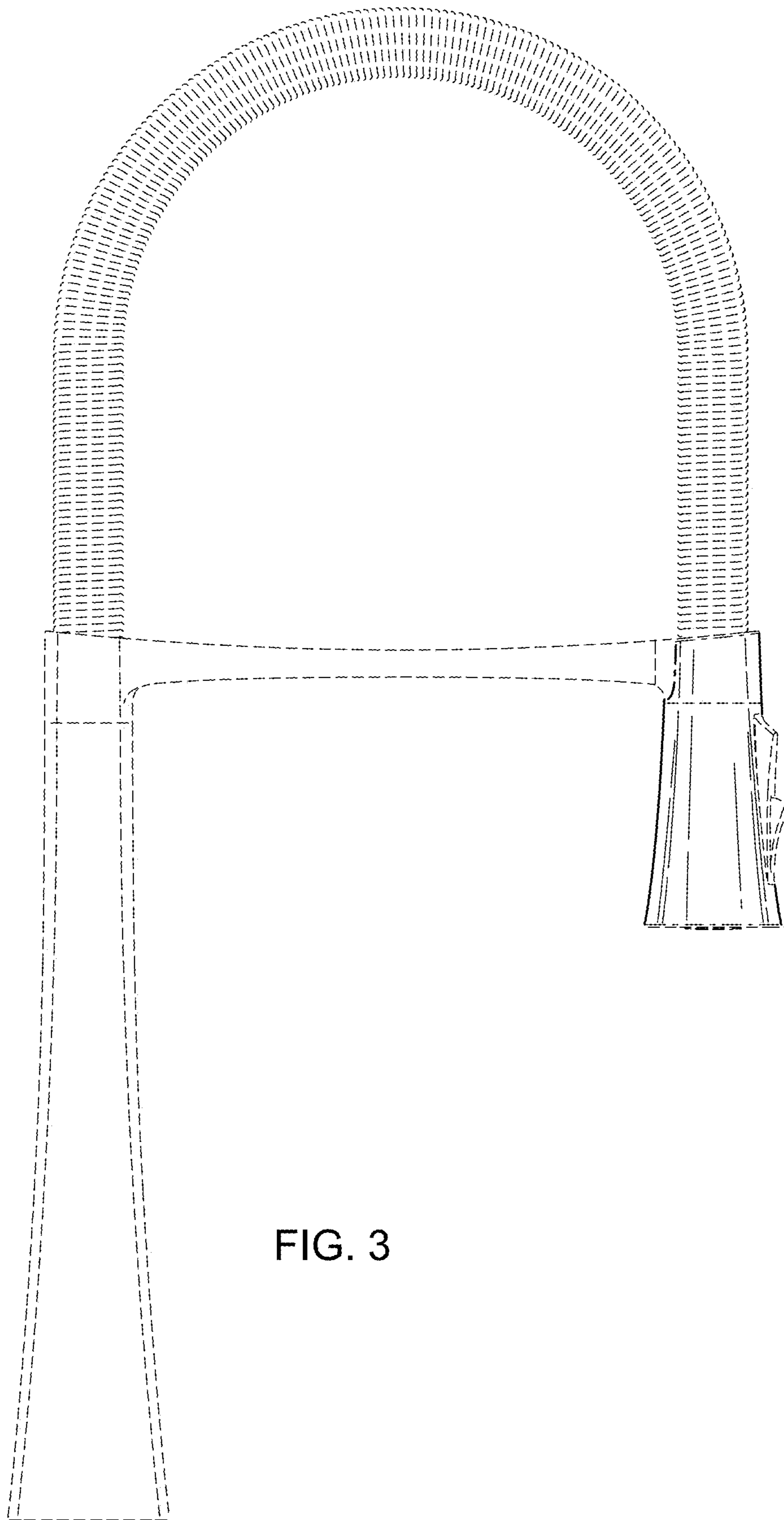


FIG. 3

FIG. 4

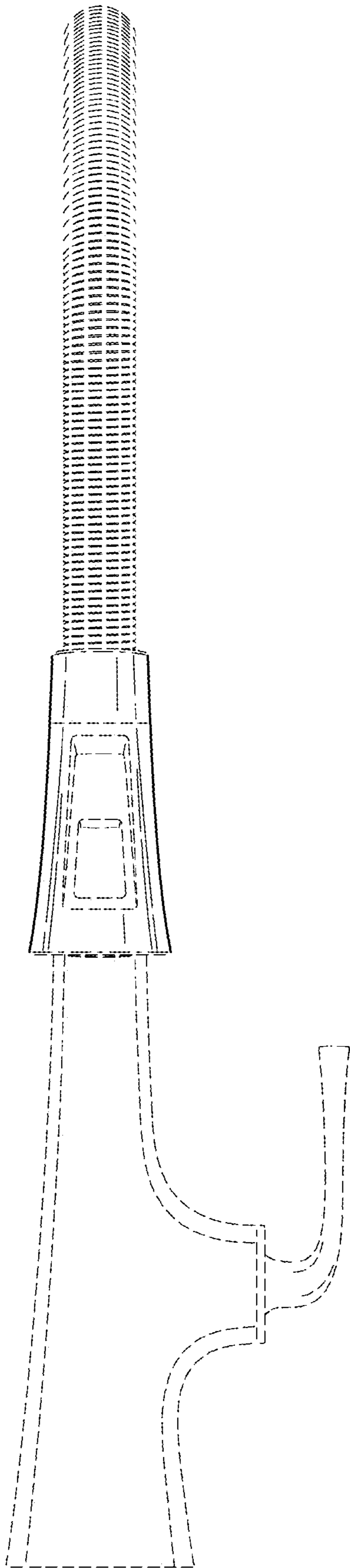
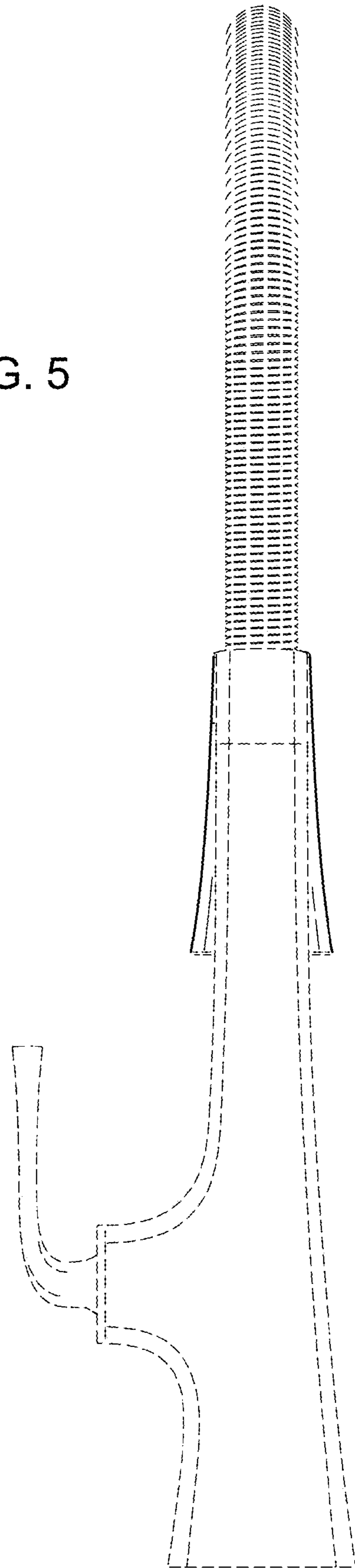


FIG. 5



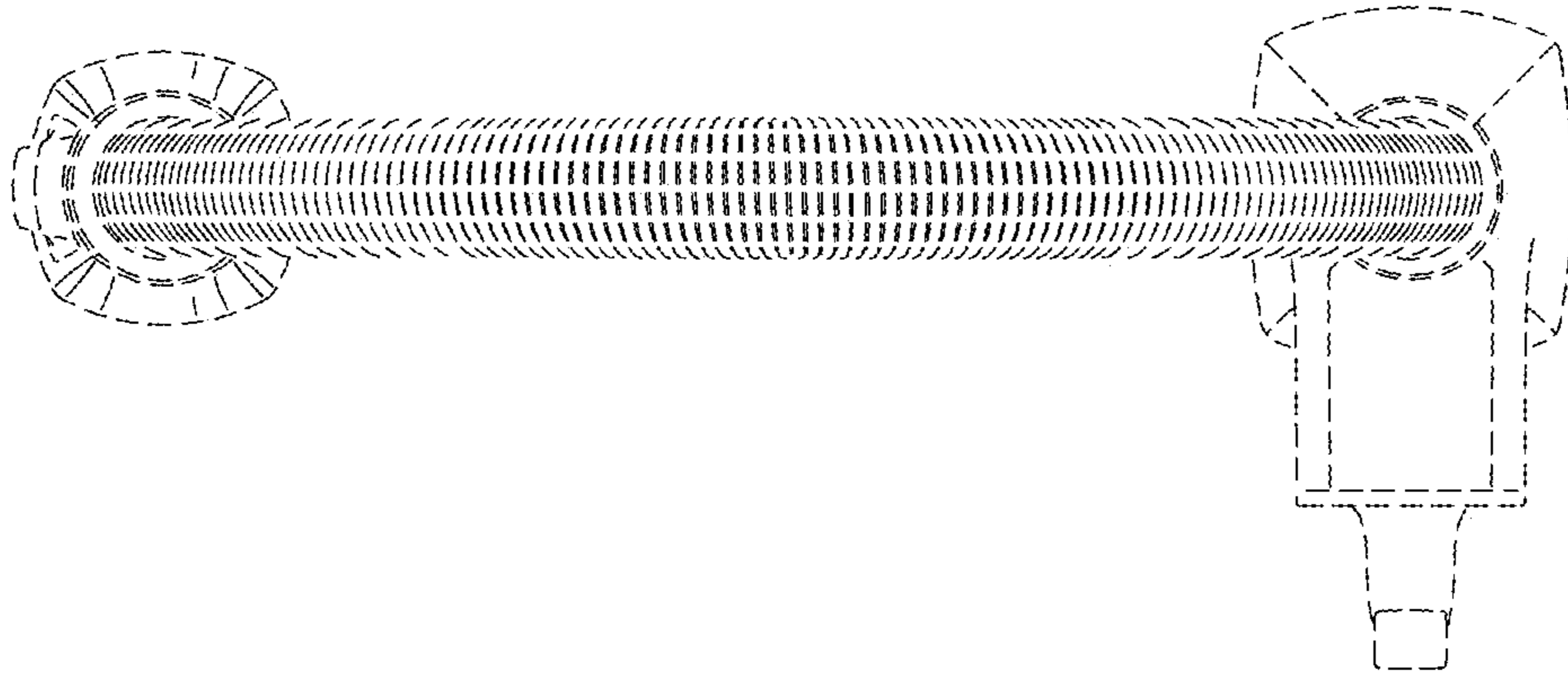


FIG. 6

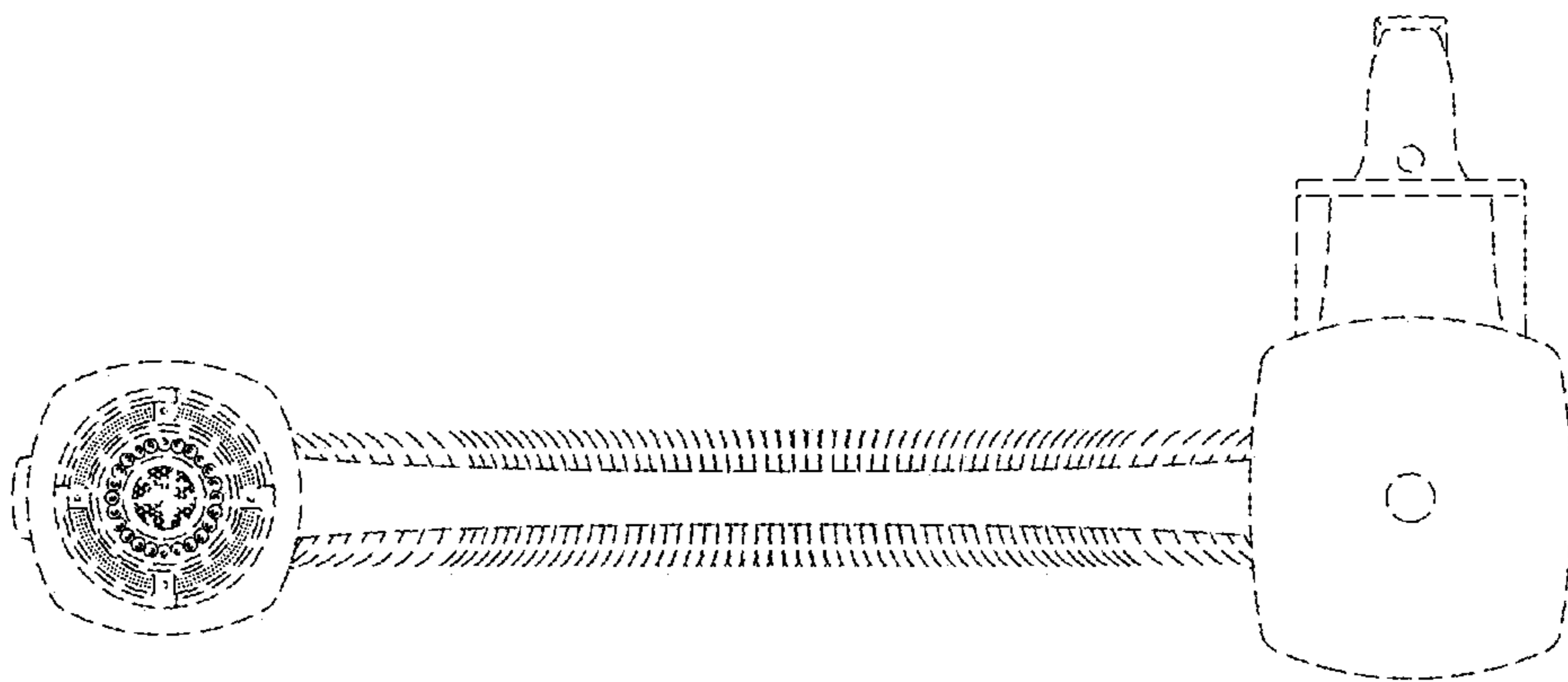


FIG. 7