



US00D908841S

(12) **United States Design Patent**
Wu

(10) **Patent No.:** **US D908,841 S**
(45) **Date of Patent:** **** Jan. 26, 2021**

- (54) **SHOWER COMBO**
- (71) Applicant: **Purity (Xiamen) Sanitary Ware Co., Ltd.**, Xiamen (CN)
- (72) Inventor: **Chin-Lung Wu**, Taichung (TW)
- (73) Assignee: **PURITY (XIAMEN) SANITARY WARE CO., LTD.**, Xiamen (CN)
- (**) Term: **15 Years**

D681,776	S	*	5/2013	Cutler	D23/223
D744,065	S	*	11/2015	Peterson	D23/223
D744,611	S	*	12/2015	Quinn	D23/223
D755,346	S	*	5/2016	Yan	D23/223
9,404,243	B2	*	8/2016	Cacka	B05B 1/1654
D779,039	S	*	2/2017	Hanna	D23/223
9,764,339	B2	*	9/2017	Yu	B05B 1/18
D810,861	S	*	2/2018	Weaver	D23/213
D820,949	S	*	6/2018	Reinecker	D23/213
D842,967	S	*	3/2019	Farley	D23/213
10,234,054	B1	*	3/2019	Yang	F16K 31/52408

(Continued)

- (21) Appl. No.: **29/687,579**
- (22) Filed: **Apr. 13, 2019**
- (51) **LOC (13) Cl.** **23-01**
- (52) **U.S. Cl.**
USPC **D23/223**
- (58) **Field of Classification Search**
USPC D23/213, 214, 215, 223, 224, 226, 229,
D23/230
CPC A61H 9/0021; A61H 33/00; B05B 1/00;
B05B 1/14; B05B 1/185; B05B 1/08;
B05B 1/02; B05B 1/26; B05B 12/002;
B05B 1/18; B05B 9/01
See application file for complete search history.

OTHER PUBLICATIONS

https://www.amazon.com/Faucet-RP76500OB-In2ition-Rubbed-Bronze/dp/B00LBHQICK/ref=sr_1_170?dchild=1&keywords=2-in-1+dual+handheld+shower+head&qid=1586551497&sr=8-170 (Year: 2014).*

Primary Examiner — Manpreet S Matharu
Assistant Examiner — Keith J Wilson
(74) *Attorney, Agent, or Firm* — Pro-TECHTOR International Services; Ian Oglesby

(57) **CLAIM**

The ornamental design for a shower combo, as shown and described.

(56) **References Cited**

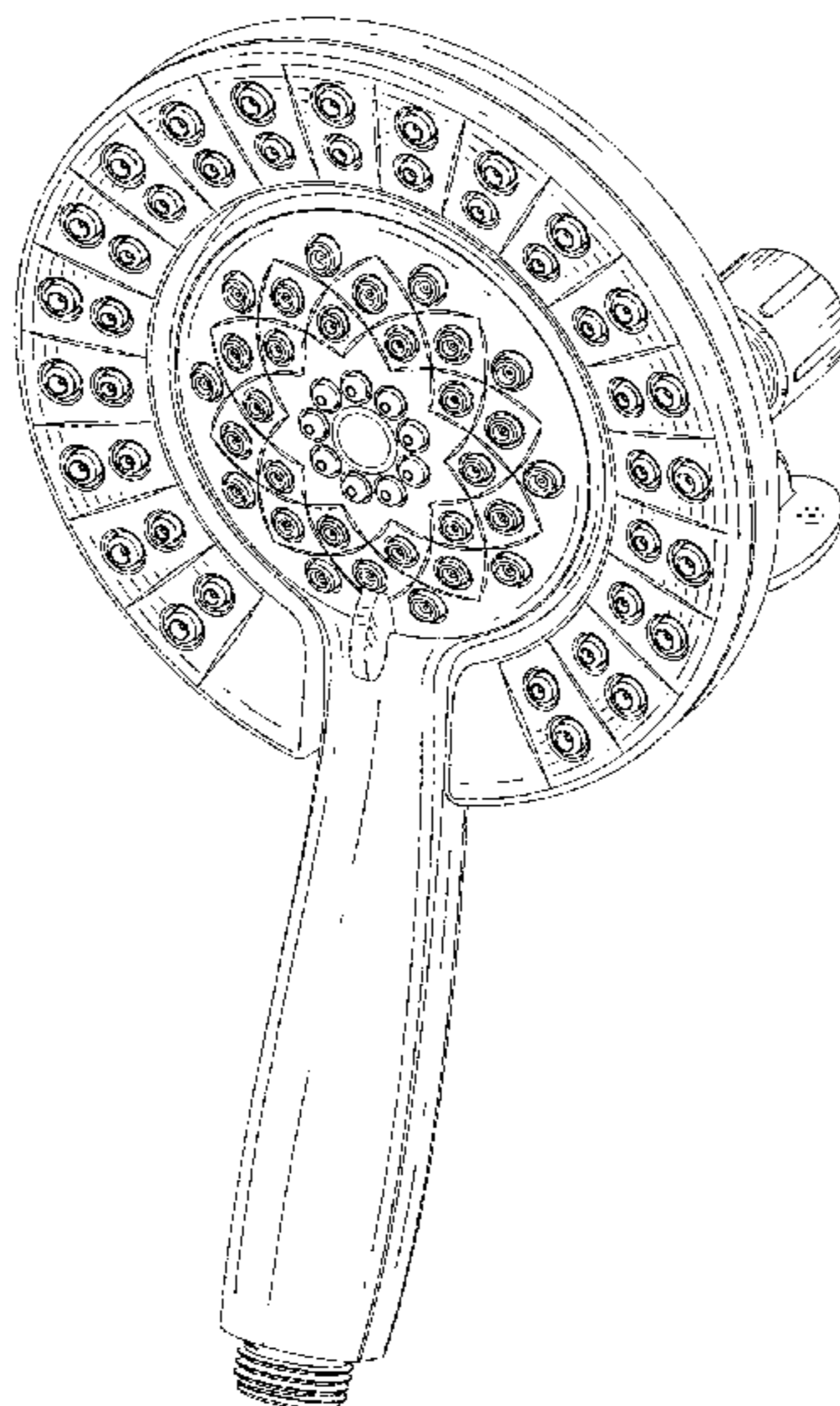
U.S. PATENT DOCUMENTS

6,537,455	B2	*	3/2003	Farley	C02F 1/003 210/251
D559,945	S	*	1/2008	Patterson	D23/213
D564,621	S	*	3/2008	Lammel	D23/223
D578,604	S	*	10/2008	Wu	D23/223
D581,014	S	*	11/2008	Quinn	D23/223
D610,651	S	*	2/2010	Wu	D23/223
7,866,576	B1	*	1/2011	Farley	E03C 1/0409 239/553
D634,810	S	*	3/2011	Yoo	D23/213
D659,796	S	*	5/2012	Farley	D23/223
D659,797	S	*	5/2012	Farley	D23/223
D666,010	S	*	8/2012	Farley	D6/309
D680,619	S	*	4/2013	Zhadanov	D23/223

DESCRIPTION

FIG. 1 is a front-right-top perspective view of a shower combo showing my new design; FIG. 2 is a front elevation view thereof; FIG. 3 is a rear elevation view thereof; FIG. 4 is a left side view thereof; FIG. 5 is a right side view thereof; FIG. 6 is a top plan view thereof; and, FIG. 7 is a bottom plan view thereof. The broken lines and the area between the solid line and broken lines in FIGS. 3 & 7 represent portions of a shower combo and form no part of the claimed design.

1 Claim, 7 Drawing Sheets



(56)

References Cited

U.S. PATENT DOCUMENTS

D857,842 S * 8/2019 Yu D23/213
2012/0031511 A1* 2/2012 Farley E03C 1/0408
137/544
2019/0091715 A1* 3/2019 Mercado B05B 1/185

* cited by examiner

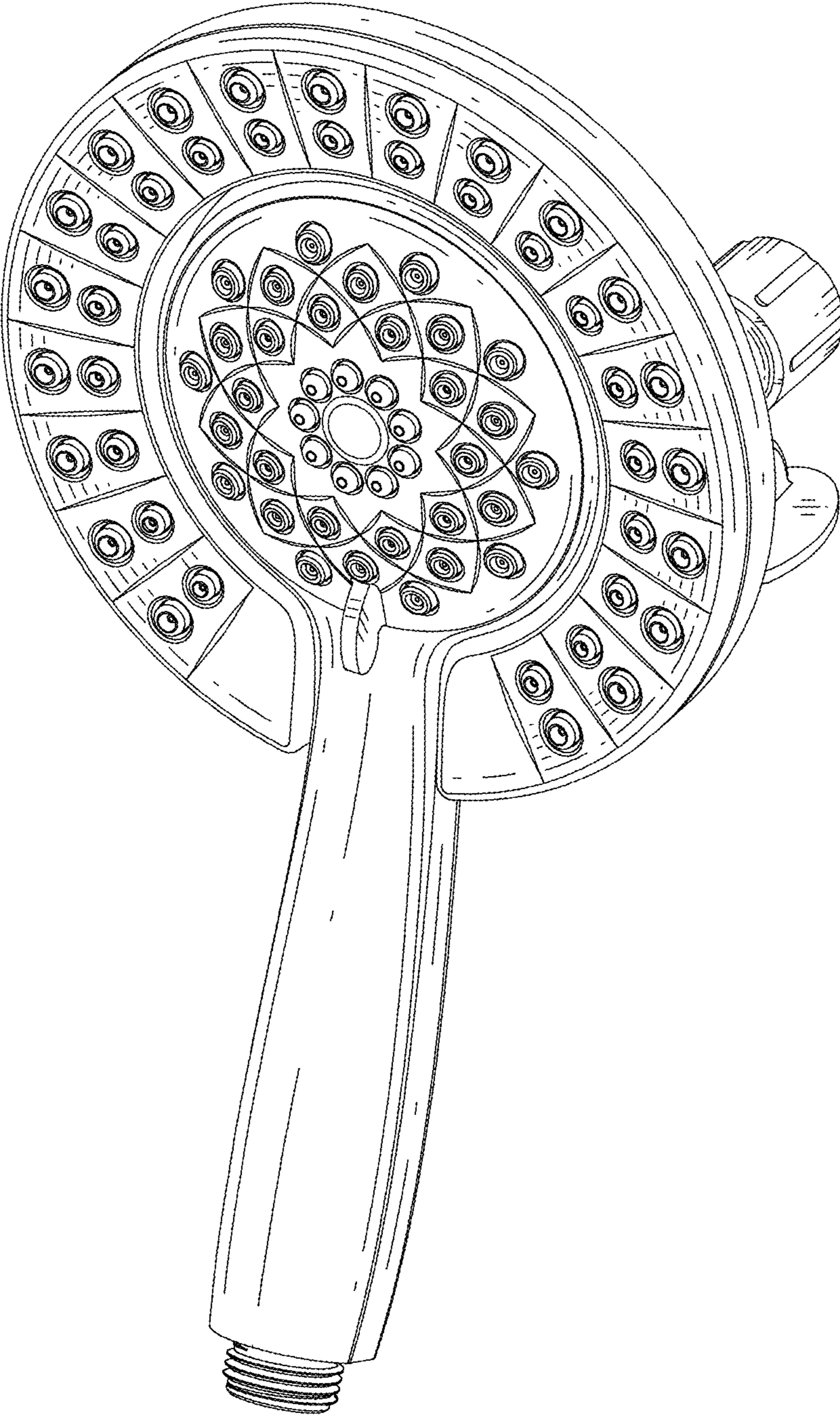


FIG. 1

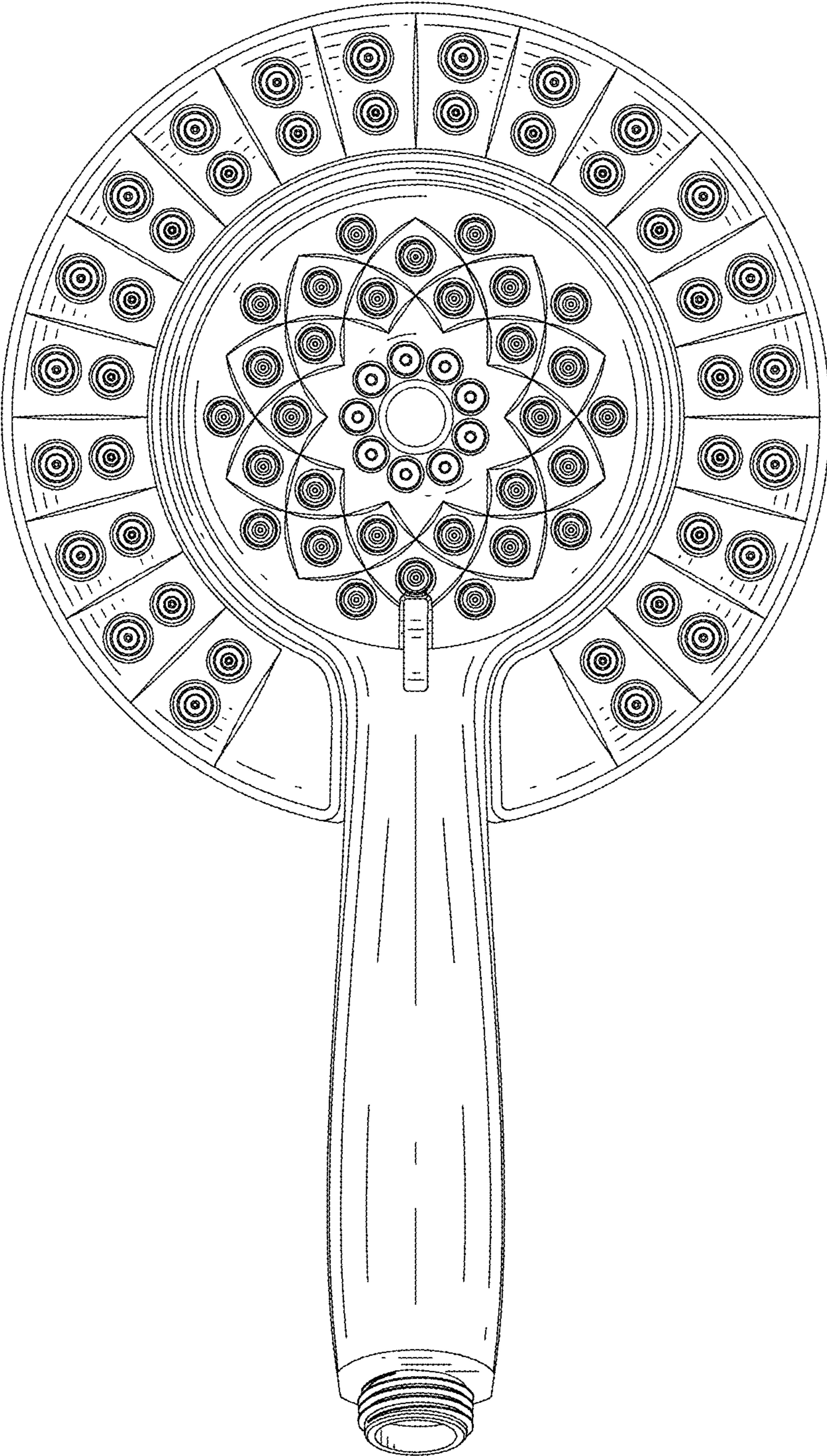


FIG. 2

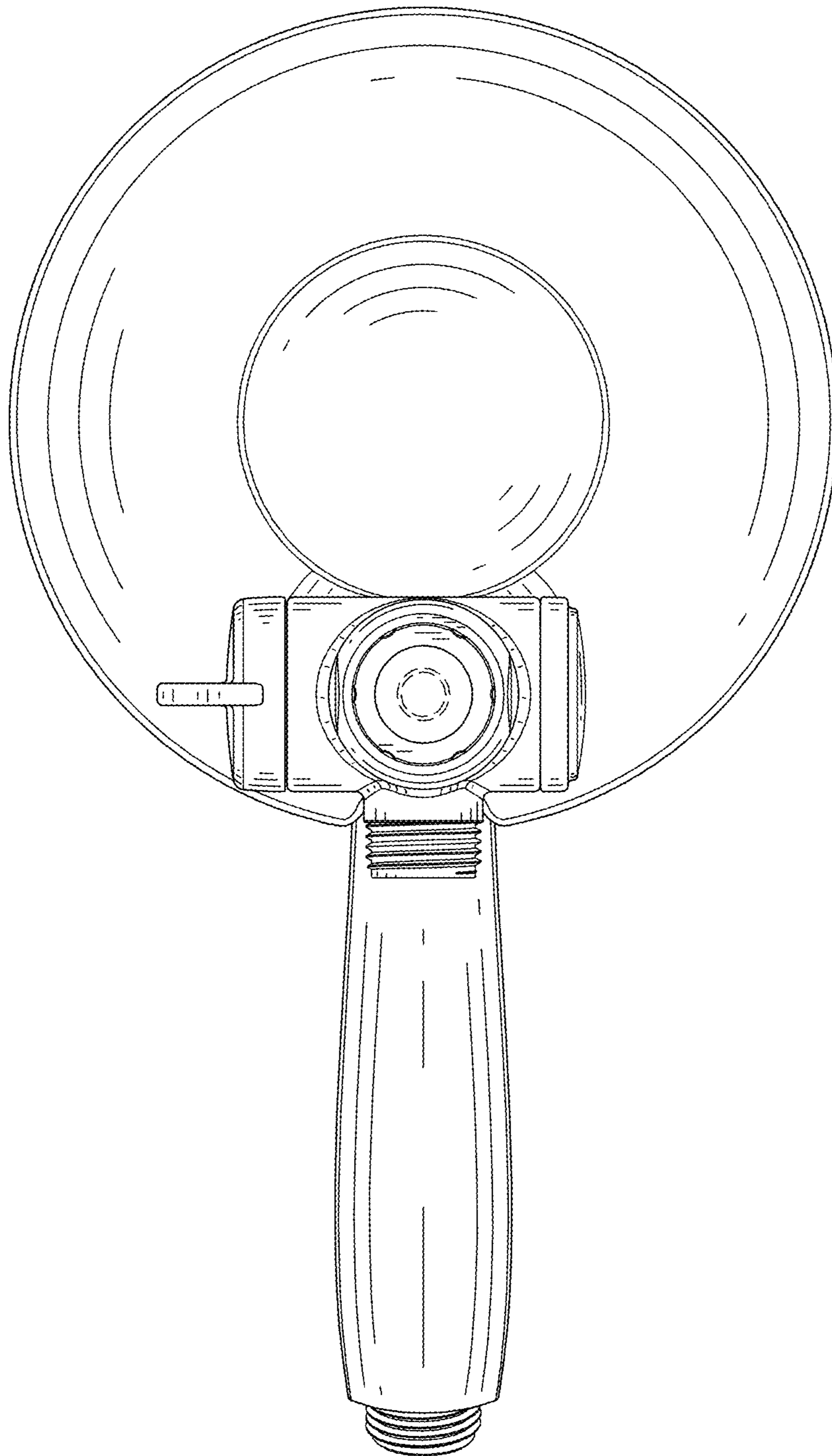


FIG. 3

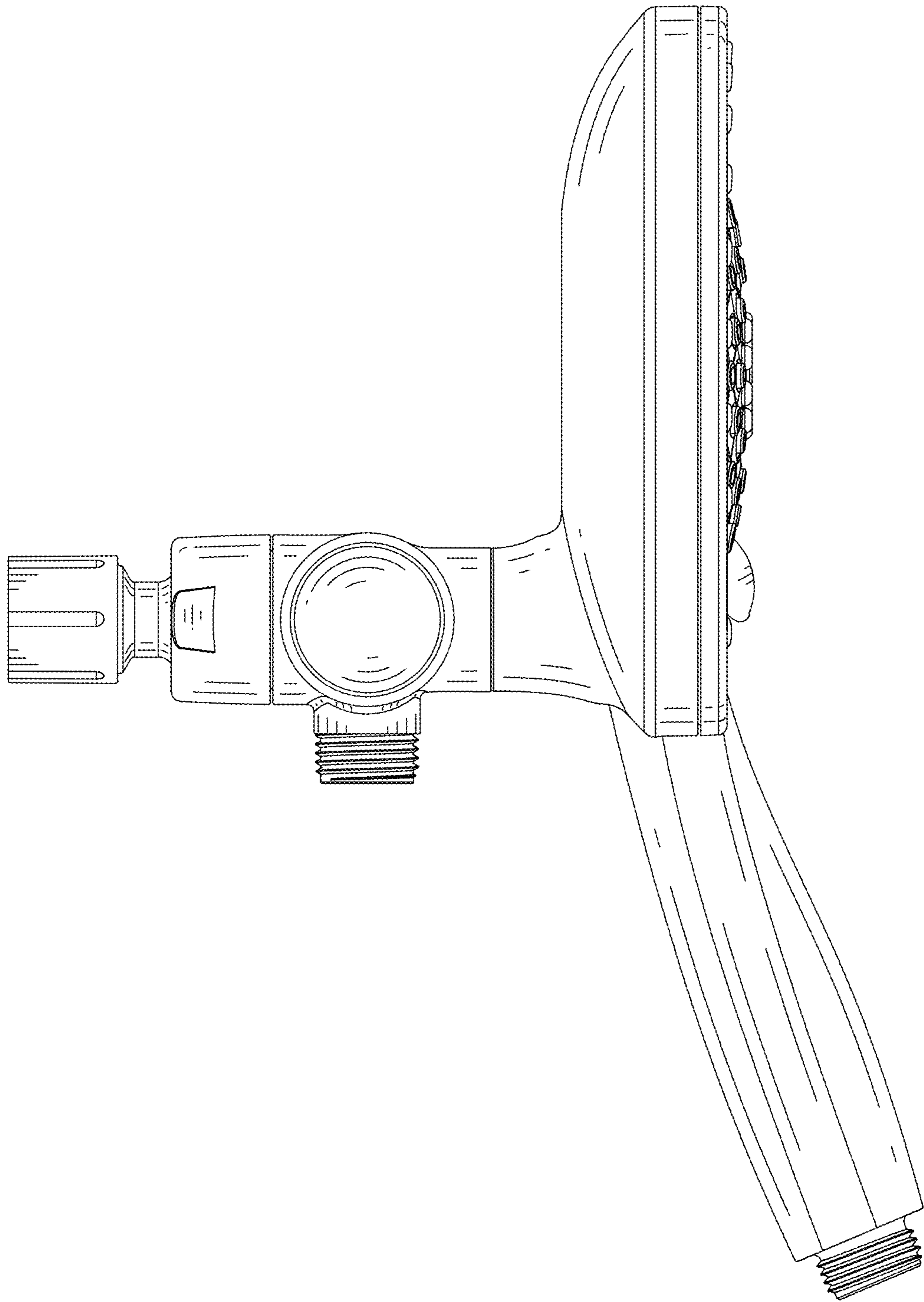


FIG. 4

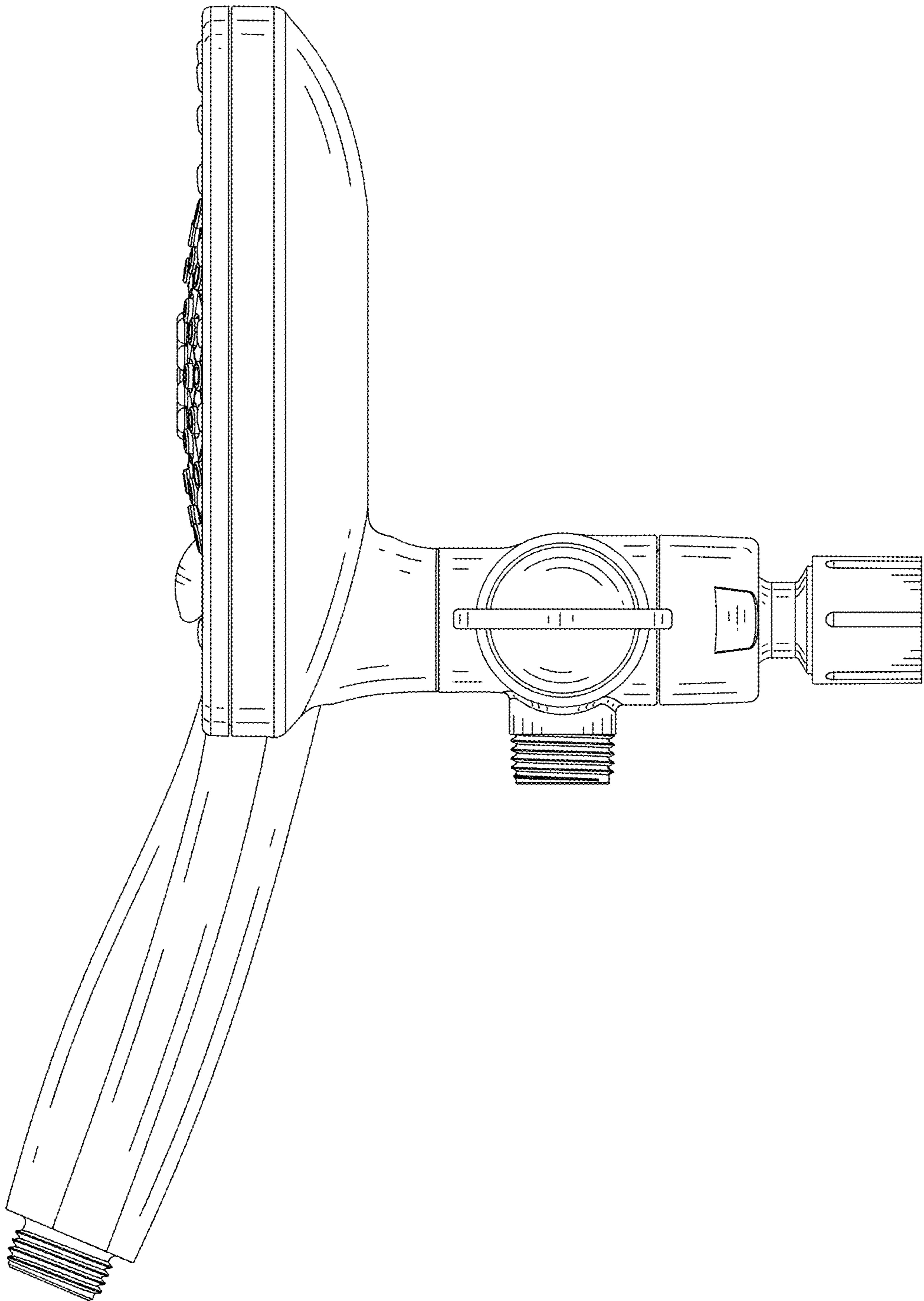


FIG. 5

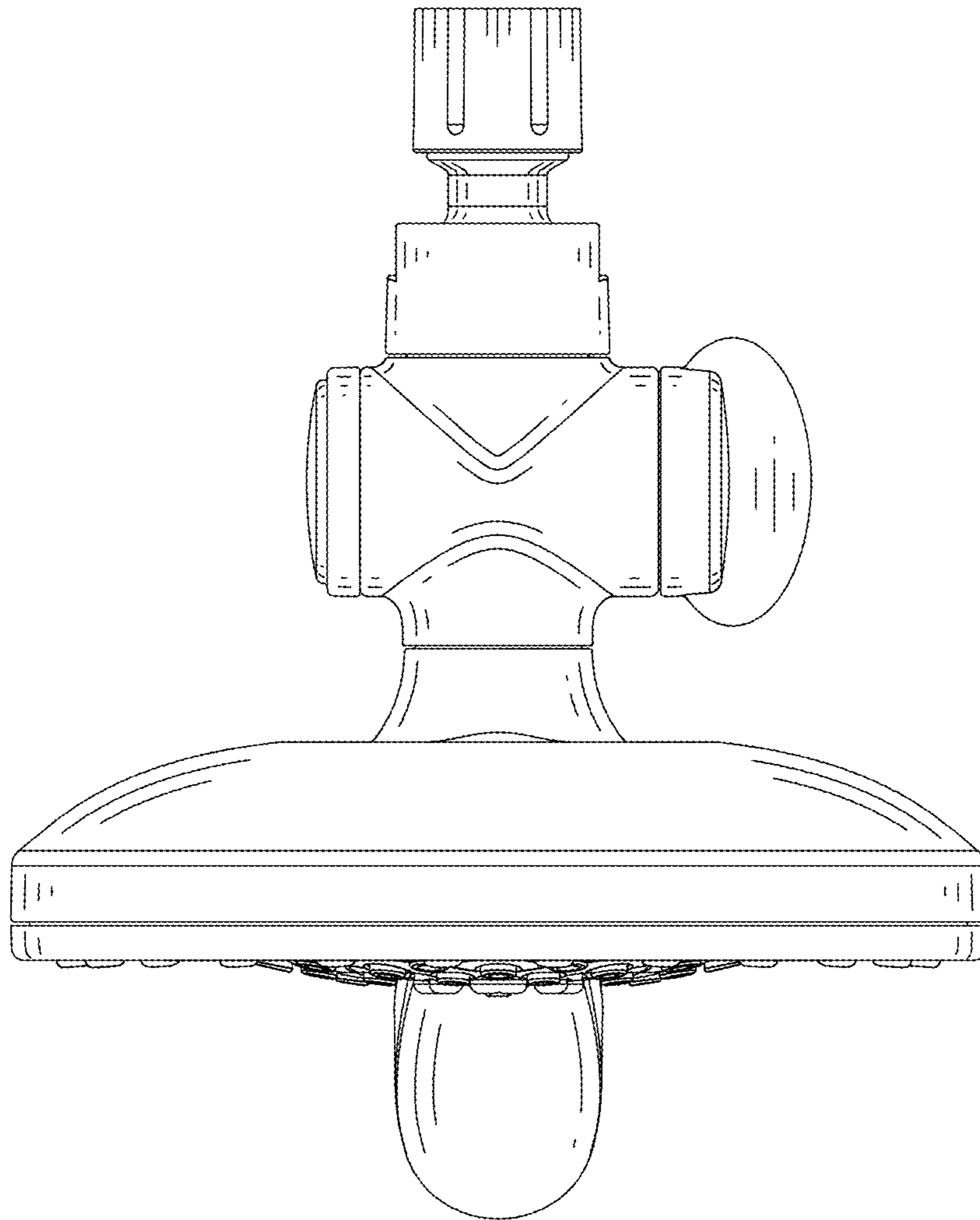


FIG. 6

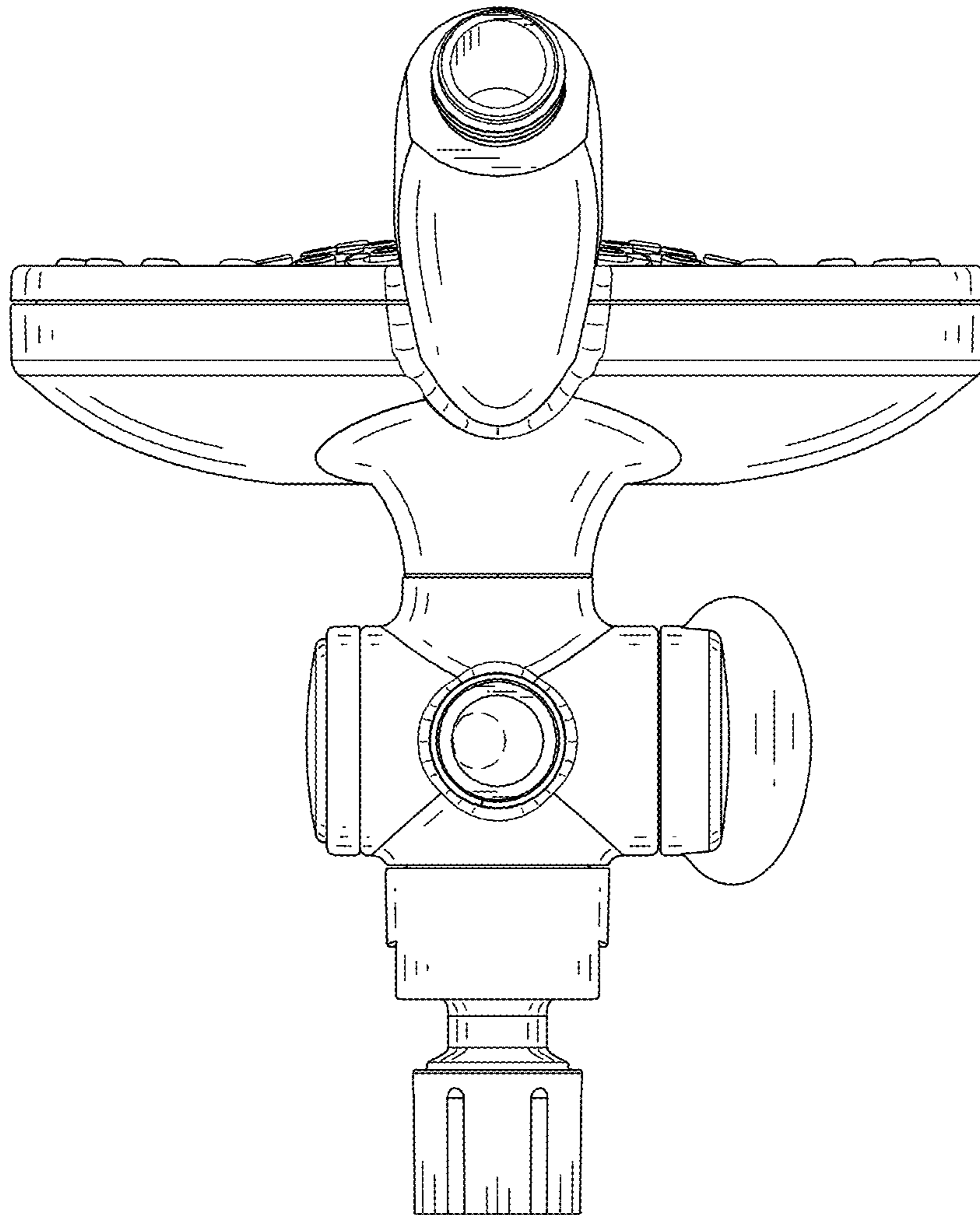


FIG. 7