



US00D908839S

(12) **United States Design Patent**  
**Wu**

(10) **Patent No.:** **US D908,839 S**  
(45) **Date of Patent:** **\*\* Jan. 26, 2021**

(54) **SHOWER COMBO**  
(71) Applicant: **Purity (Xiamen) Sanitary Ware Co., Ltd., Xiamen (CN)**  
(72) Inventor: **Chin-Lung Wu, Taichung (TW)**  
(73) Assignee: **PURITY (XIAMEN) SANITARY WARE CO., LTD., Xiamen (CN)**  
(\*\*) Term: **15 Years**

D680,619 S \* 4/2013 Zhadanov ..... D23/223  
D681,776 S \* 5/2013 Cutler ..... D23/223  
D744,065 S \* 11/2015 Peterson ..... D23/223  
D744,611 S \* 12/2015 Quinn ..... D23/223  
D755,346 S \* 5/2016 Yan ..... D23/223  
9,404,243 B2 \* 8/2016 Cacka ..... B05B 1/1654  
D779,039 S \* 2/2017 Hanna ..... D23/223  
9,764,339 B2 \* 9/2017 Yu ..... B05B 1/18  
D810,861 S \* 2/2018 Weaver ..... D23/213  
D820,949 S \* 6/2018 Reinecker ..... D23/213  
D842,967 S \* 3/2019 Farley ..... D23/213  
10,234,054 B1 \* 3/2019 Yang ..... F16K 31/52408

(Continued)

(21) Appl. No.: **29/687,577**  
(22) Filed: **Apr. 13, 2019**  
(51) **LOC (13) Cl.** ..... **23-01**  
(52) **U.S. Cl.**  
USPC ..... **D23/223**  
(58) **Field of Classification Search**  
USPC ..... D23/213, 214, 215, 223, 224, 226, 229,  
D23/230  
CPC ..... A61H 9/0021; A61H 33/00; B05B 1/00;  
B05B 1/14; B05B 1/185; B05B 1/08;  
B05B 1/02; B05B 1/26; B05B 9/01;  
B05B 12/002; B05B 1/18  
See application file for complete search history.

**OTHER PUBLICATIONS**

[https://www.amazon.com/Delta-In2ition-Nickel-4-Spray-Handheld/dp/B07MVPB457/ref=sr\\_1\\_41?keywords=2-in-1+Dual+Hand+Held+Shower+Head&qid=1585251683&sr=8-41](https://www.amazon.com/Delta-In2ition-Nickel-4-Spray-Handheld/dp/B07MVPB457/ref=sr_1_41?keywords=2-in-1+Dual+Hand+Held+Shower+Head&qid=1585251683&sr=8-41) (Year: 2019).\*

*Primary Examiner* — Manpreet S Matharu  
*Assistant Examiner* — Keith J Wilson  
(74) *Attorney, Agent, or Firm* — Pro-Techtor International Services; Ian Oglesby

(57) **CLAIM**

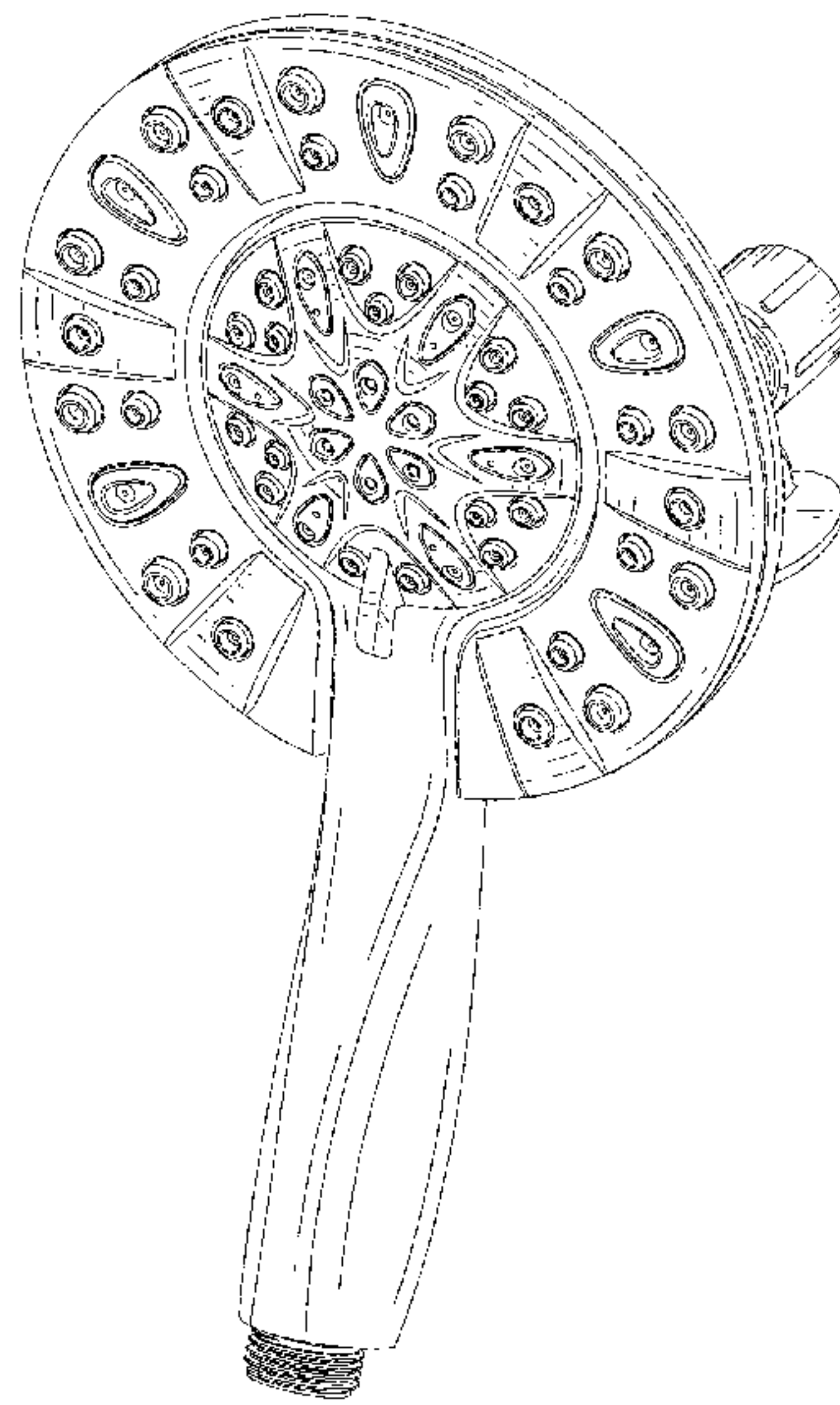
The ornamental design for a shower combo, as shown and described.

**DESCRIPTION**

FIG. 1 is a front-right-top perspective view of a shower combo showing my new design;  
FIG. 2 is a front elevation view thereof;  
FIG. 3 is a rear elevation view thereof;  
FIG. 4 is a left side view thereof;  
FIG. 5 is a right side view thereof;  
FIG. 6 is a top plan view thereof; and,  
FIG. 7 is a bottom plan view thereof.  
The broken lines and the area between the solid line and broken lines in FIGS. 3 & 7 represent portions of a shower combo and form no part of the claimed design.

**1 Claim, 7 Drawing Sheets**

(56) **References Cited**  
**U.S. PATENT DOCUMENTS**  
6,537,455 B2 \* 3/2003 Farley ..... C02F 1/003  
210/251  
D559,945 S \* 1/2008 Patterson ..... D23/213  
D564,621 S \* 3/2008 Lammel ..... D23/223  
D578,604 S \* 10/2008 Wu ..... D23/223  
D581,014 S \* 11/2008 Quinn ..... D23/223  
D610,651 S \* 2/2010 Wu ..... D23/223  
7,866,576 B1 \* 1/2011 Farley ..... E03C 1/0409  
239/553  
D634,810 S \* 3/2011 Yoo ..... D23/213  
D659,796 S \* 5/2012 Farley ..... D23/223  
D659,797 S \* 5/2012 Farley ..... D23/223  
D666,010 S \* 8/2012 Farley ..... D6/309



(56)

**References Cited**

U.S. PATENT DOCUMENTS

D857,842 S \* 8/2019 Yu ..... D23/213  
2012/0031511 A1\* 2/2012 Farley ..... E03C 1/0408  
137/544  
2019/0091715 A1\* 3/2019 Mercado ..... B05B 1/185

\* cited by examiner

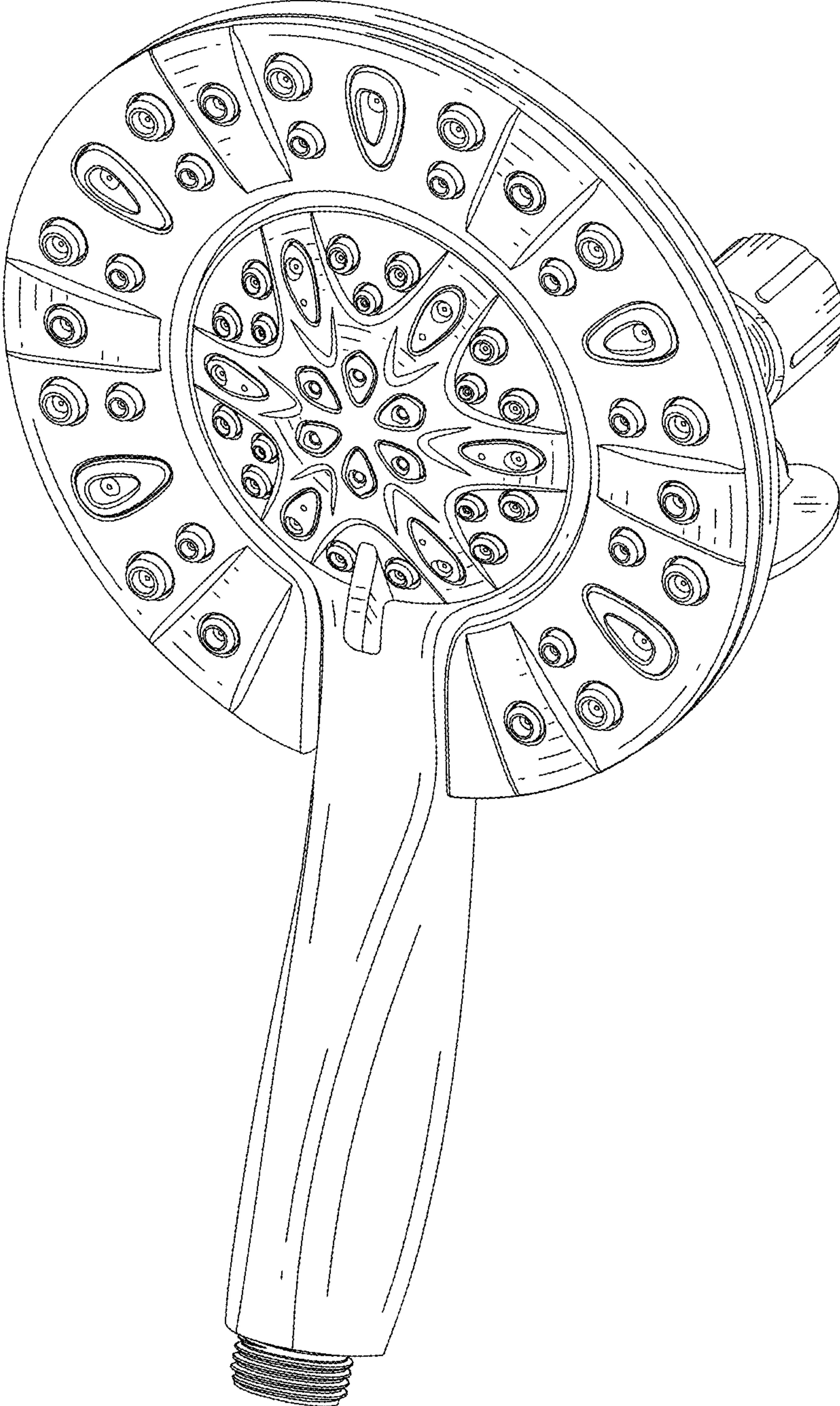


FIG. 1



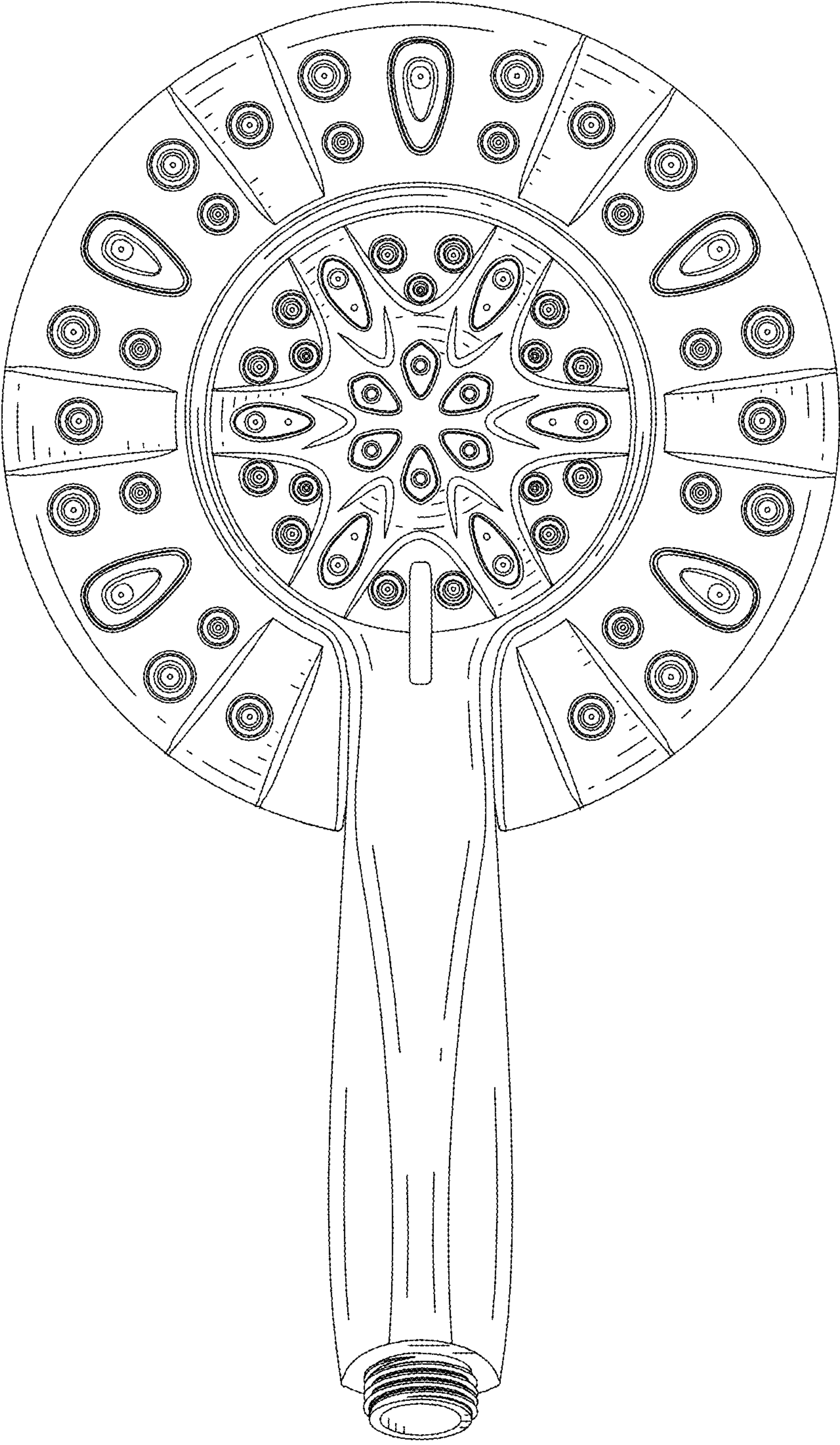


FIG. 2

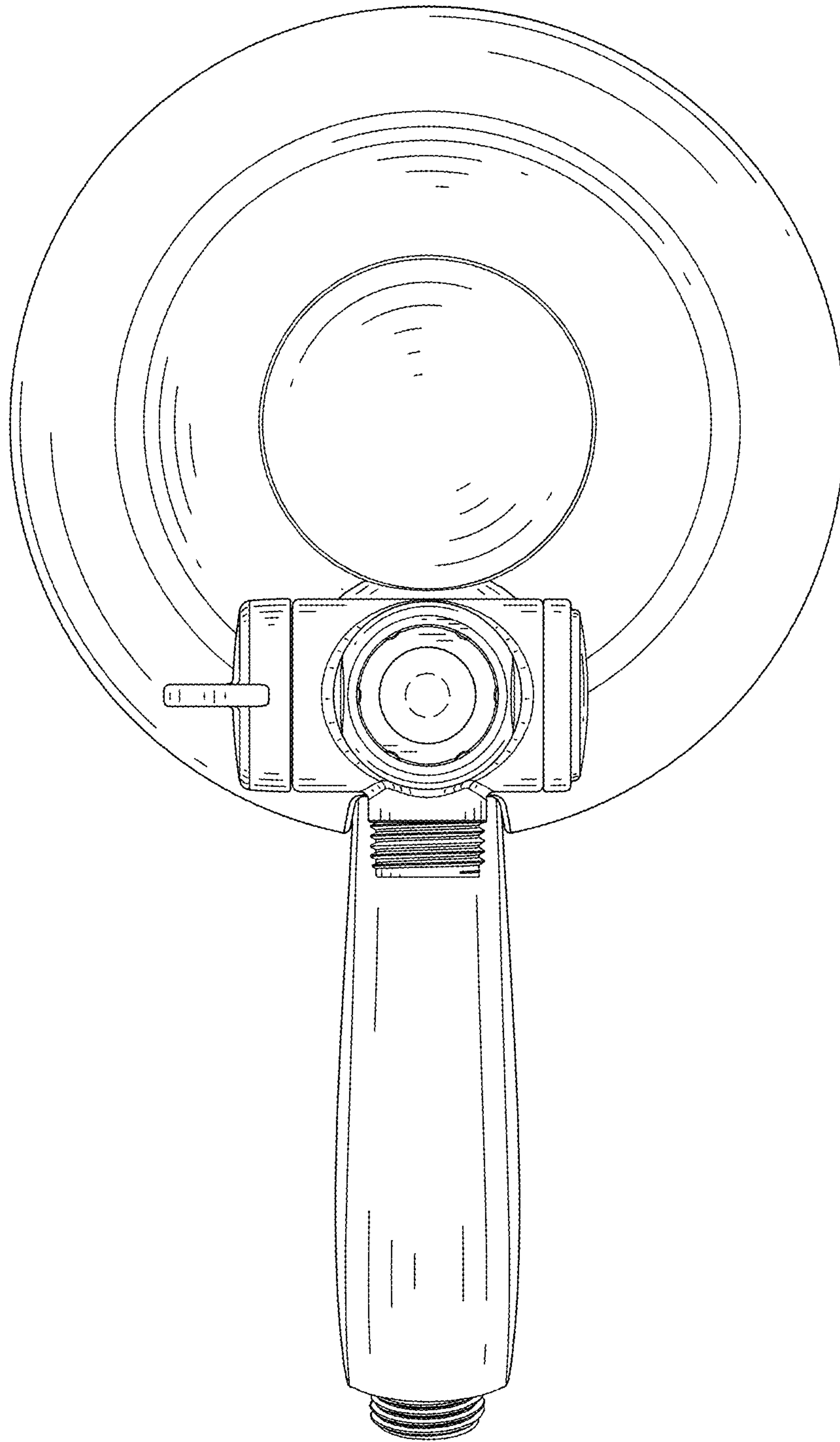


FIG. 3

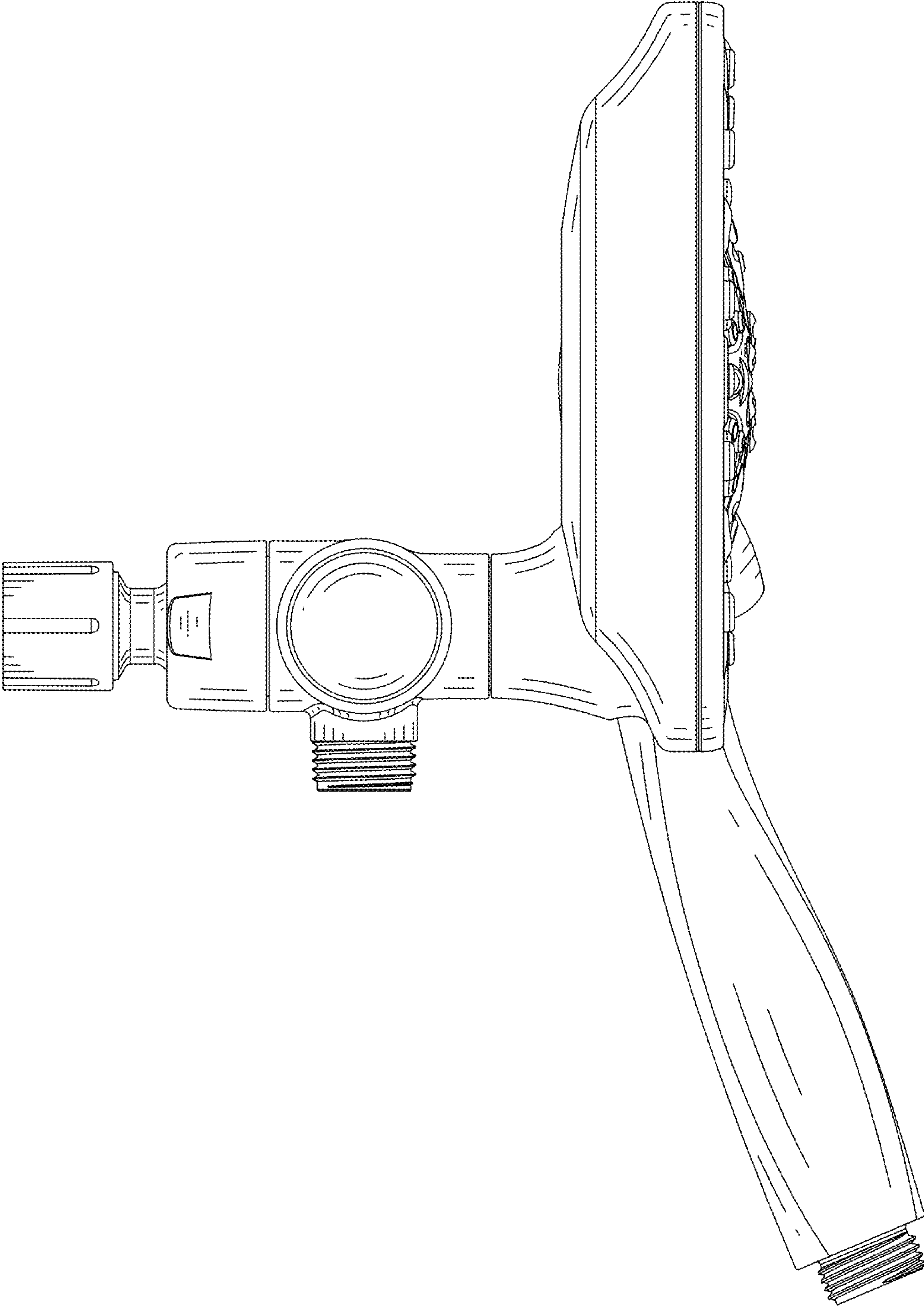


FIG. 4

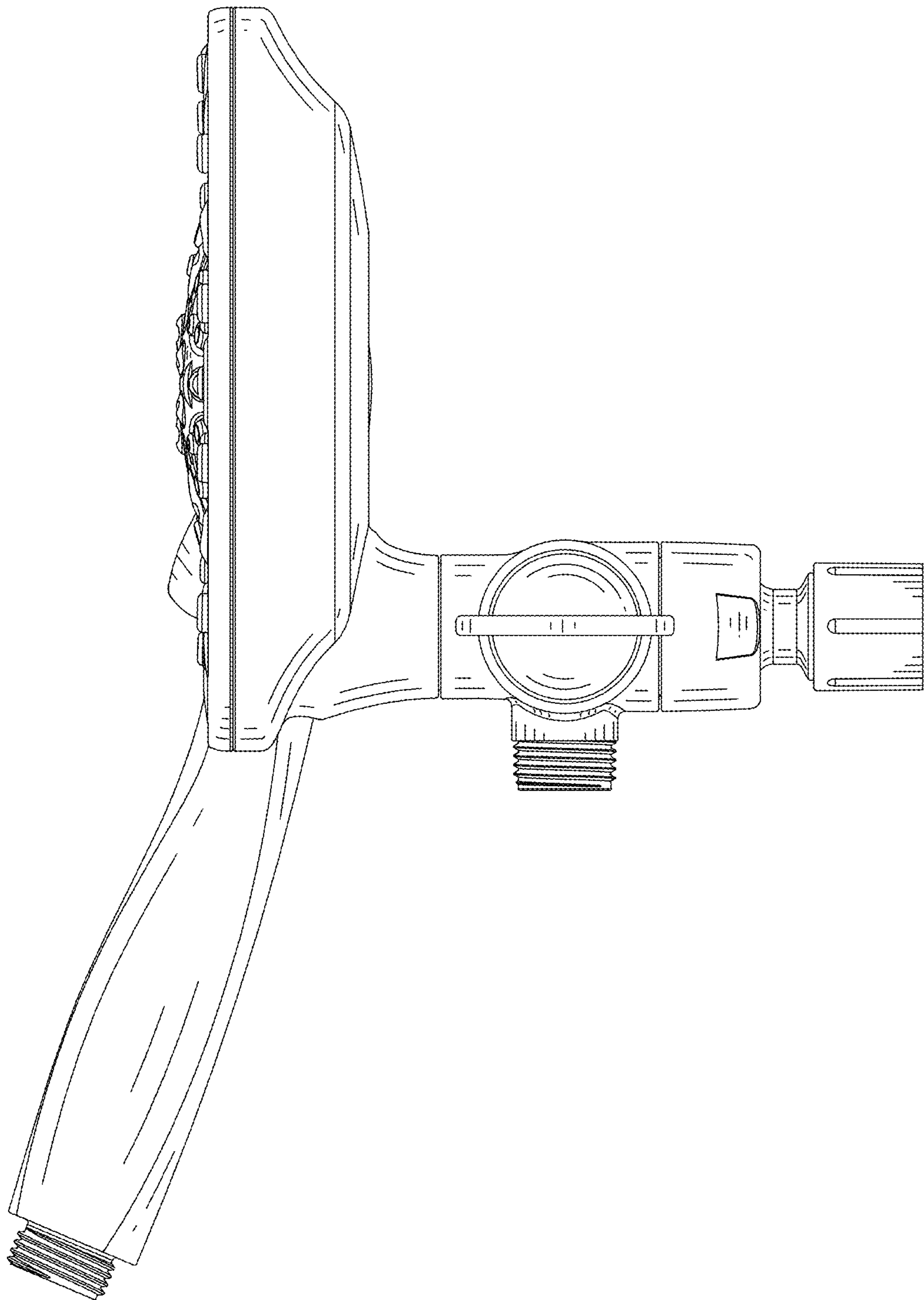


FIG. 5

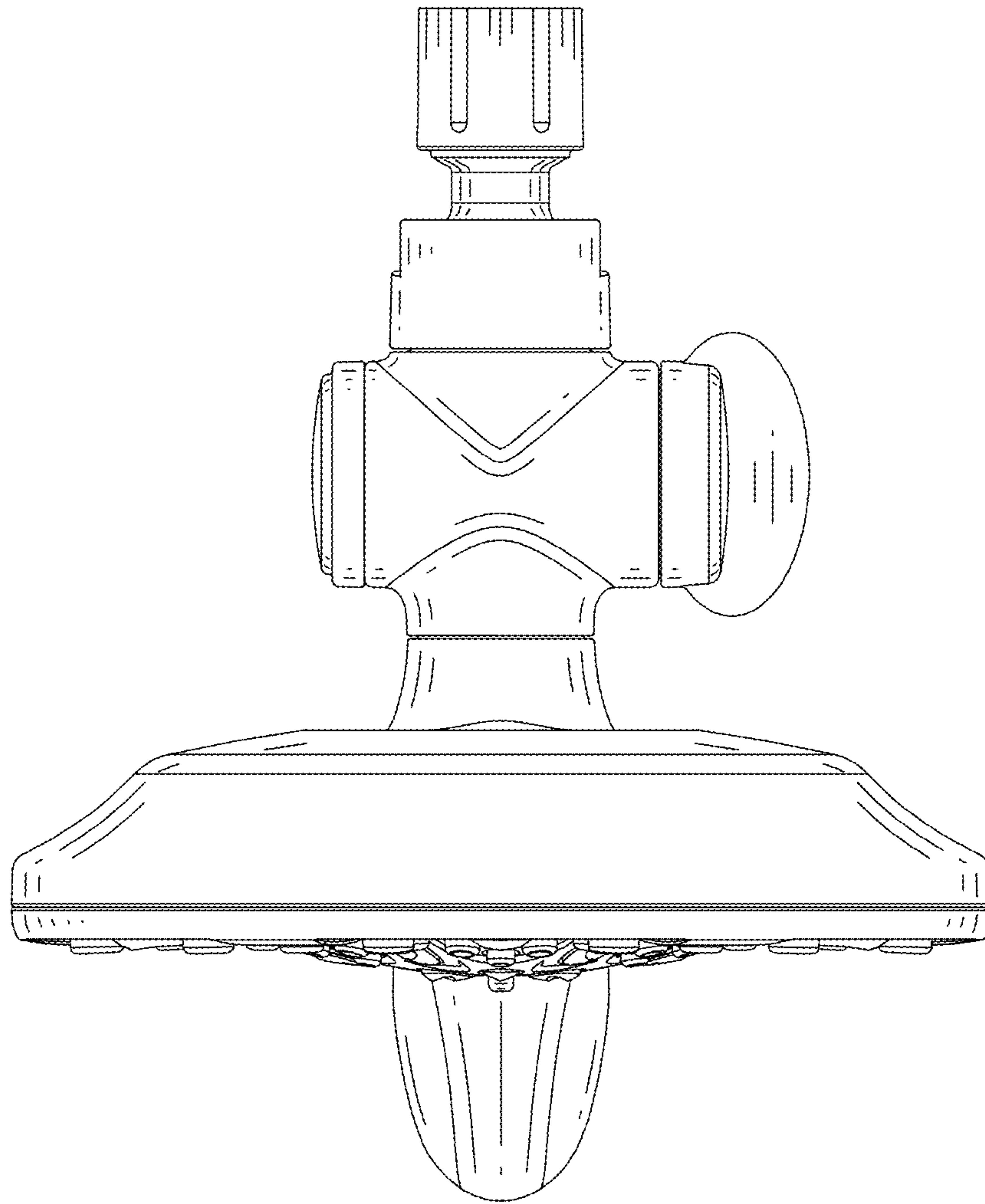


FIG. 6



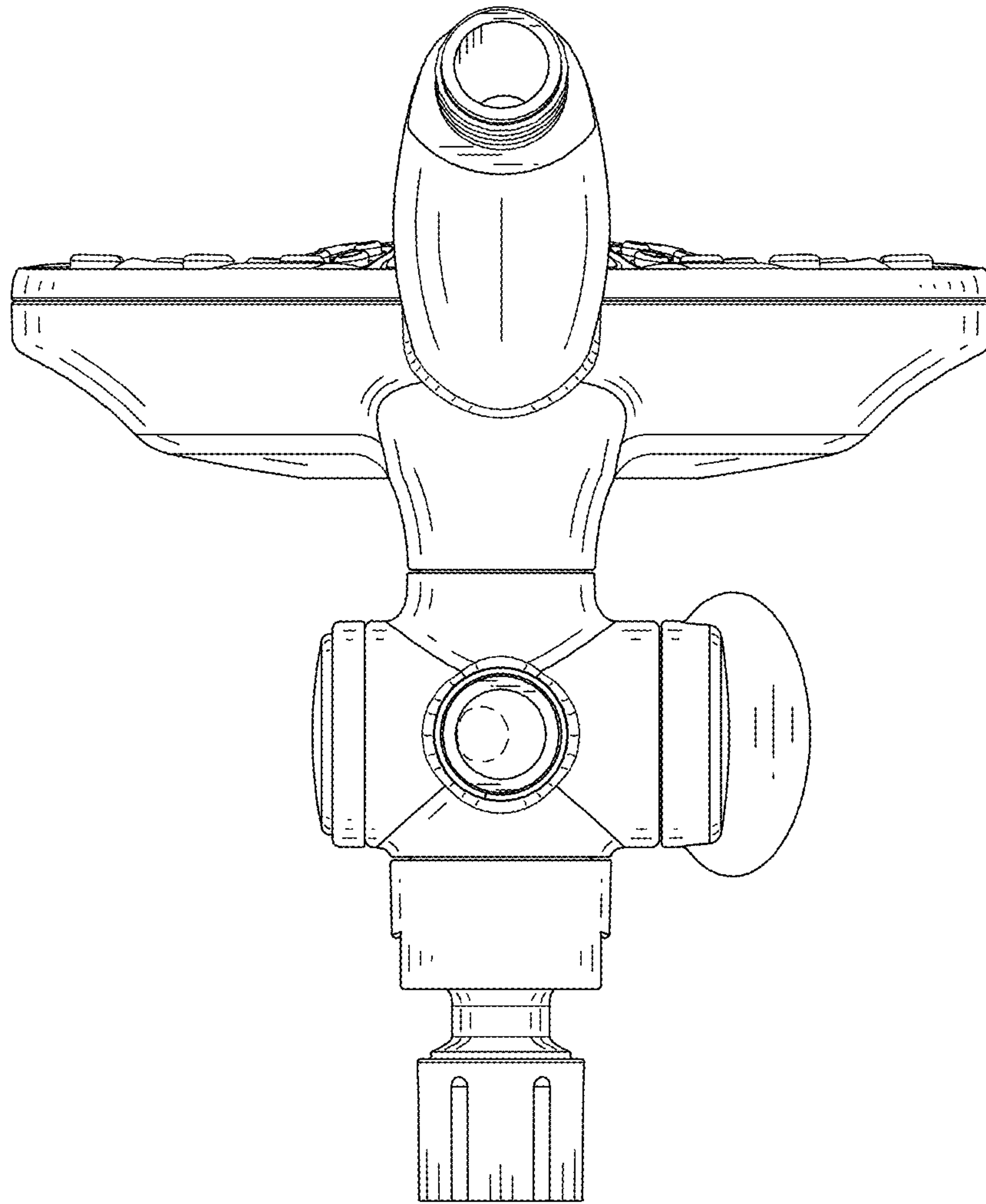


FIG. 7