



US00D908837S

(12) **United States Design Patent**
Chen

(10) **Patent No.:** **US D908,837 S**

(45) **Date of Patent:** **** Jan. 26, 2021**

- (54) **VERTICAL SPRINKLER**
- (71) Applicant: **SHIN TAI SPURT WATER OF THE GARDEN TOOLS CO., LTD.,**
Lu-Kang Town (TW)
- (72) Inventor: **Chin-Yuan Chen,** Lu-Kang Town (TW)
- (73) Assignee: **SHIN TAI SPURT WATER OF THE GARDEN TOOLS CO., LTD.,**
Chang-Hua Hsien (TW)

- D618,306 S * 6/2010 Burnworth D23/214
- D620,550 S * 7/2010 Feith D23/214
- D651,687 S * 1/2012 Chen D23/213
- D699,321 S * 2/2014 Karihara D23/214
- D865,908 S * 11/2019 Hsieh D23/213
- 2011/0198410 A1* 8/2011 Curtis A01G 25/00
239/203
- 2011/0284659 A1* 11/2011 Lo B05B 15/74
239/201
- 2019/0336991 A1* 11/2019 Duffin B05B 3/008

(**) Term: **15 Years**

(21) Appl. No.: **29/693,124**

(22) Filed: **May 31, 2019**

(51) **LOC (13) Cl.** **23-01**

(52) **U.S. Cl.**
USPC **D23/214**

(58) **Field of Classification Search**
USPC D23/213, 214, 215, 223, 224, 226, 229,
D23/230

CPC A61H 9/0021; A61H 33/00; B05B 1/00;
B05B 1/14; B05B 1/185; B05B 1/08;
B05B 1/02; B05B 1/26; B05B 12/002;
B05B 1/18; B05B 9/01

See application file for complete search history.

(56) **References Cited**

U.S. PATENT DOCUMENTS

- D399,553 S * 10/1998 Kumagai D23/213
- D412,557 S * 8/1999 Palestrant D23/214
- 6,464,151 B1 * 10/2002 Cordua B05B 1/262
239/457
- D466,585 S * 12/2002 Alkalay D23/214
- D562,939 S * 2/2008 Lo D23/214
- D603,479 S * 11/2009 Koiwa D23/214
- D618,305 S * 6/2010 Feith D23/214

OTHER PUBLICATIONS

<https://www.amazon.com/Melnor-15338-6-Pattern-Rotary-Spike/> (Year: 2017).*

* cited by examiner

Primary Examiner — Manpreet S Matharu

Assistant Examiner — Keith J Wilson

(57) **CLAIM**

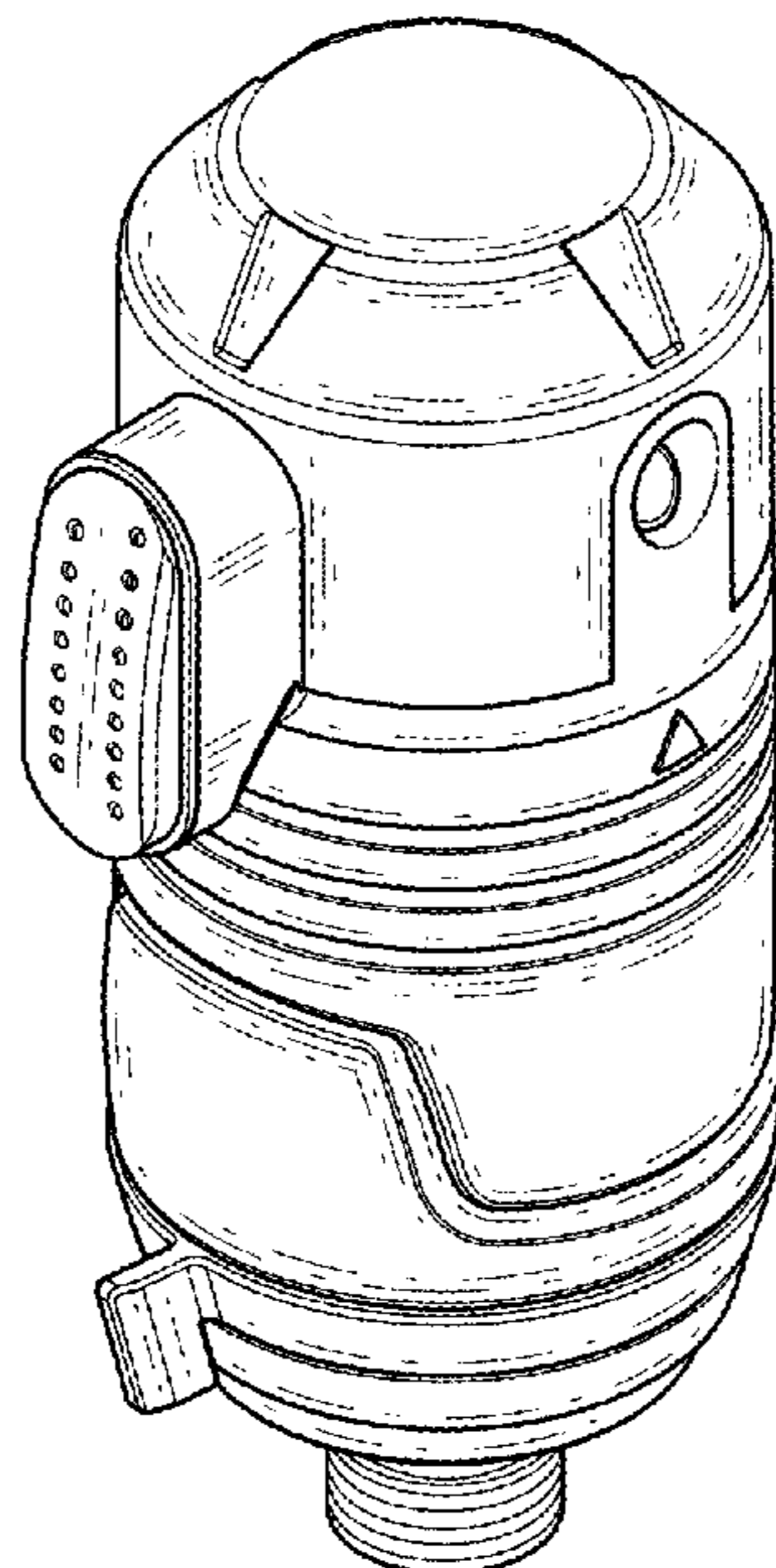
The ornamental design for a vertical sprinkler, as shown and described.

DESCRIPTION

FIG. 1 is a perspective view of a vertical sprinkler showing my new design;
FIG. 2 is a front elevational view thereof;
FIG. 3 is a rear elevational view thereof;
FIG. 4 is a left side elevational view thereof;
FIG. 5 is a right side elevational view thereof;
FIG. 6 is a top plan view thereof;
FIG. 7 is a bottom plan view thereof; and,
FIG. 8 is another perspective view of a vertical sprinkler showing my design.

The broken lines shown represent portions of a vertical sprinkler and form no part of the claimed design.

1 Claim, 5 Drawing Sheets



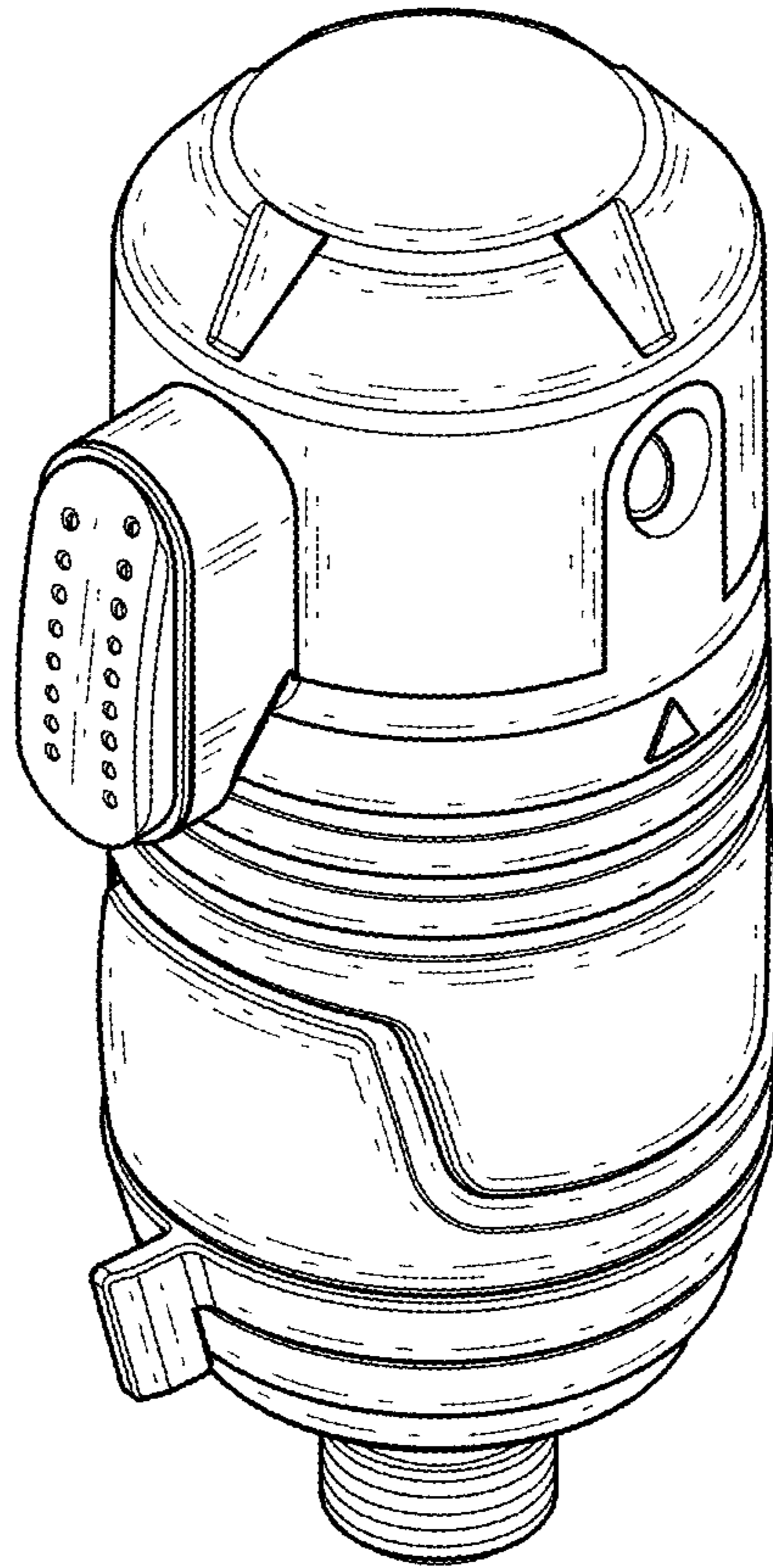


FIG. 1

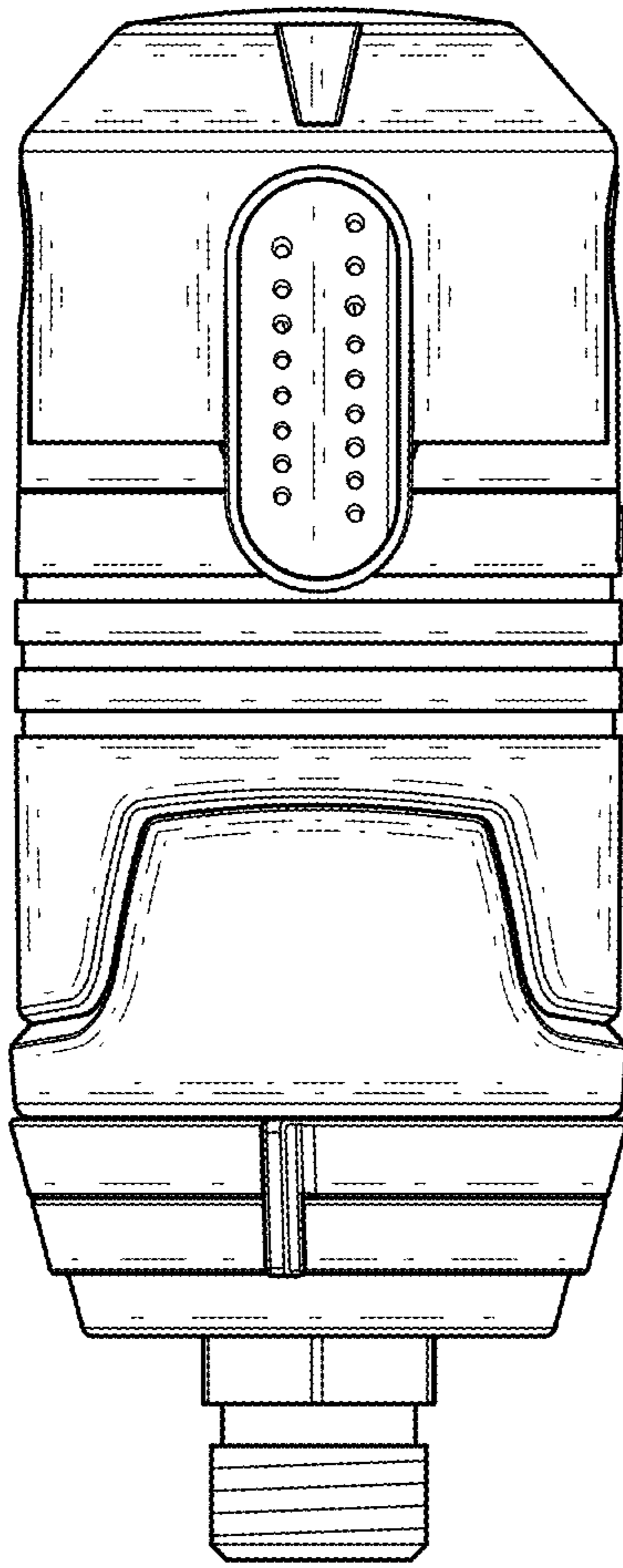


FIG. 2

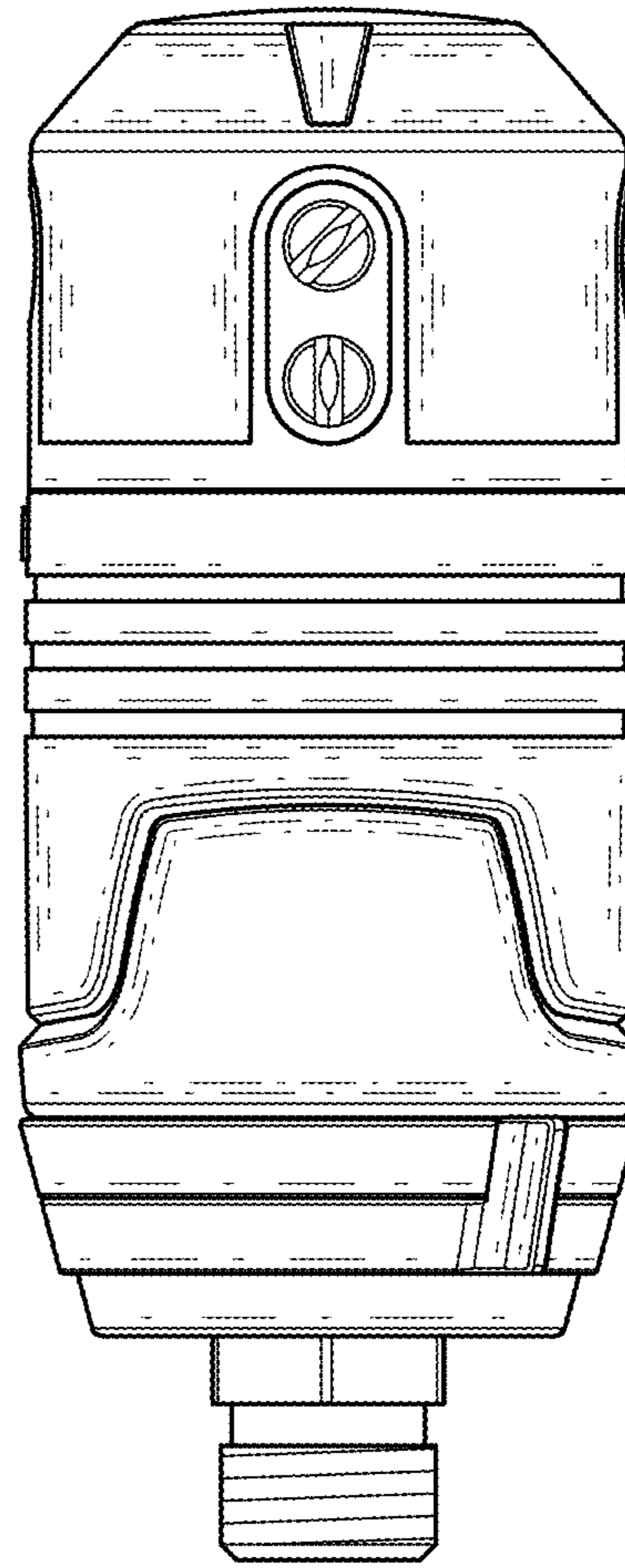


FIG. 3

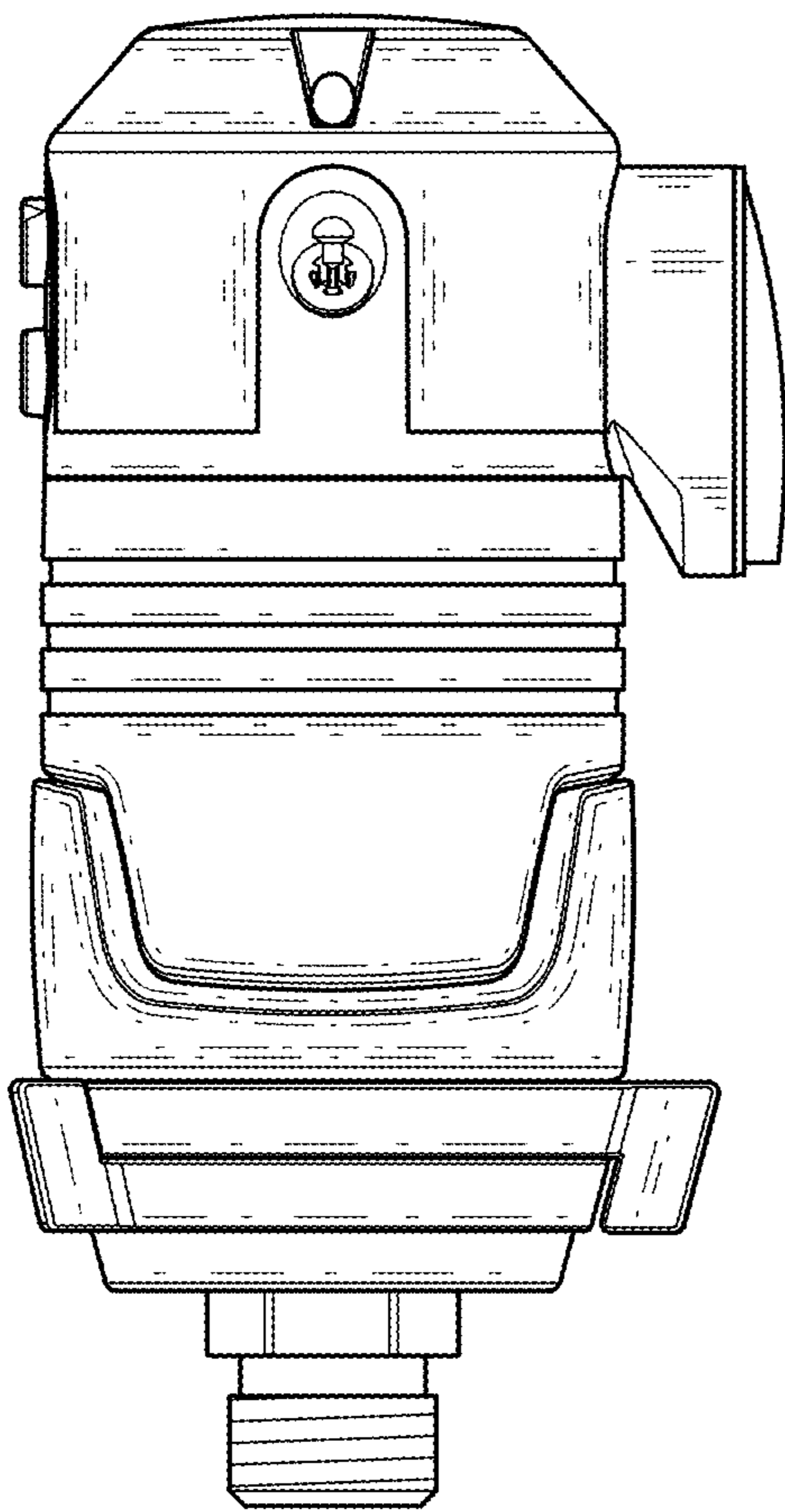


FIG.4

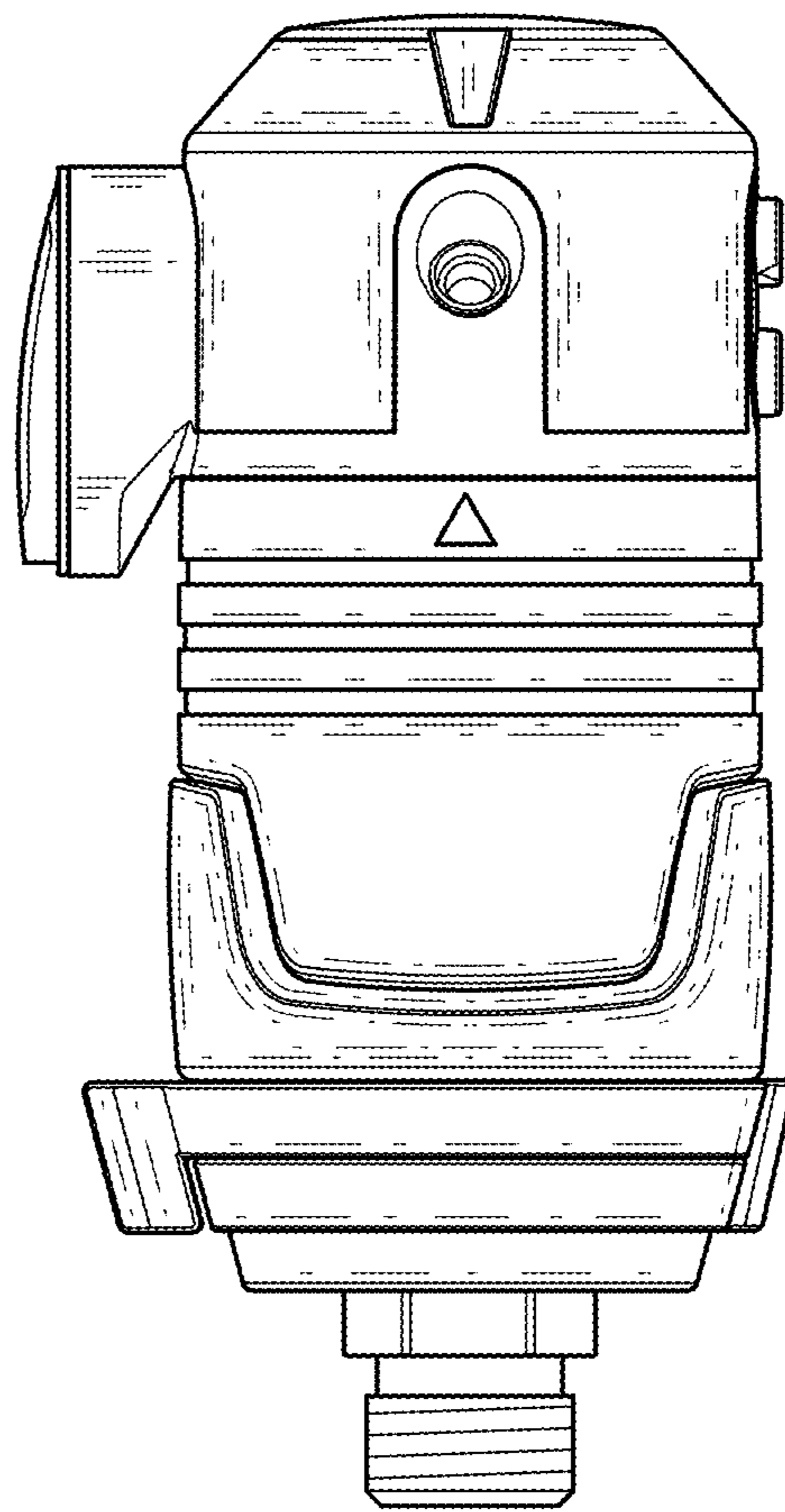


FIG.5

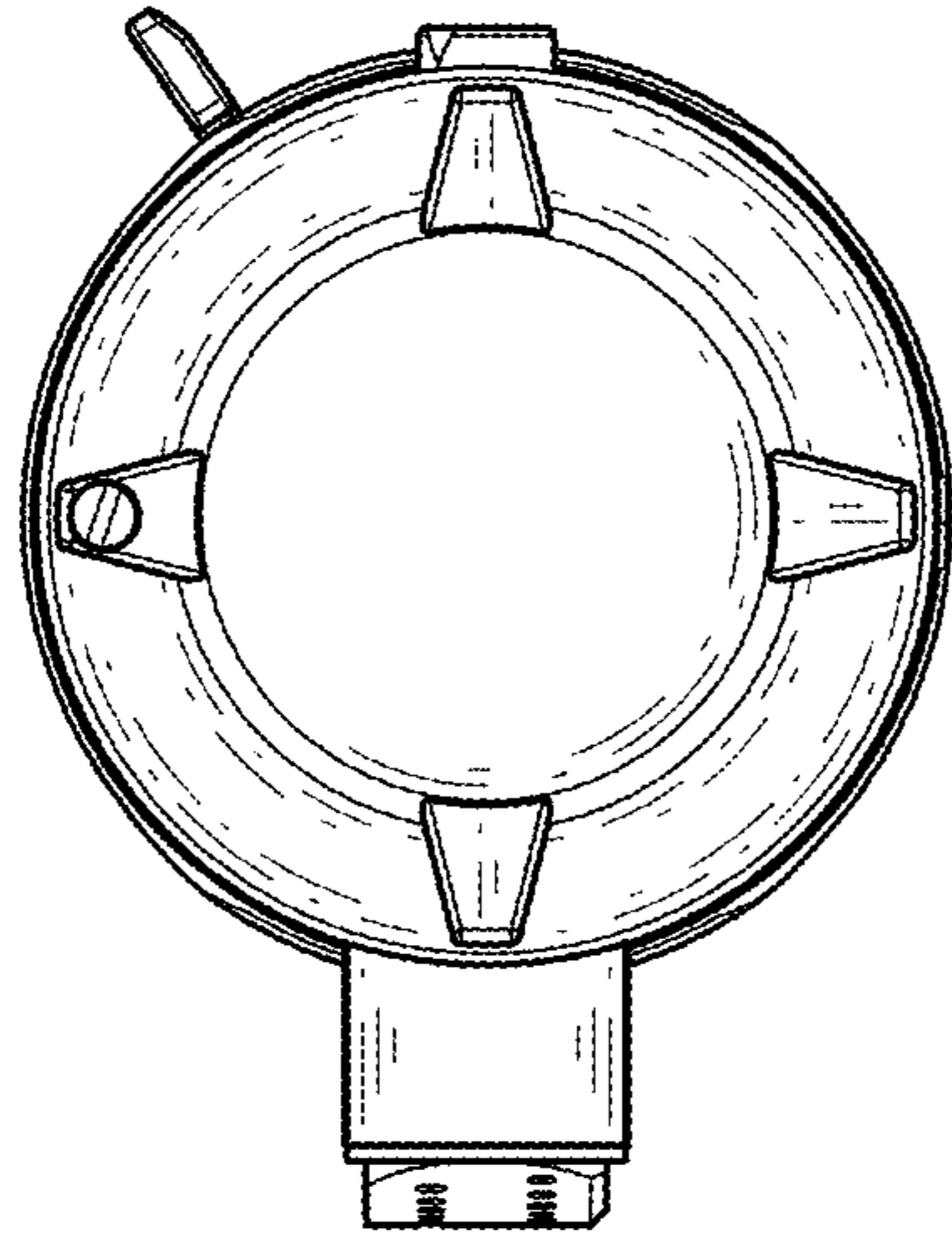


FIG. 6

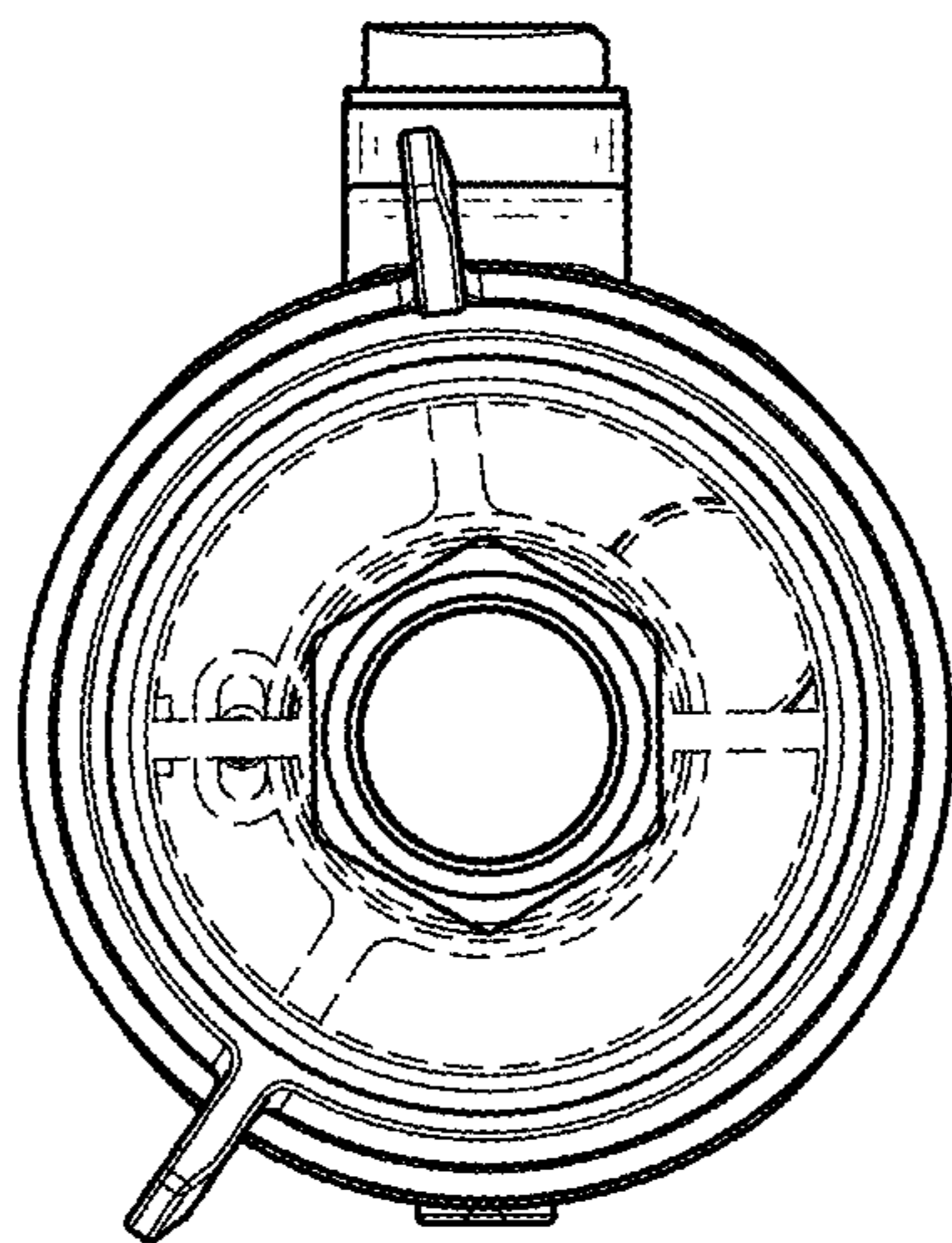


FIG. 7

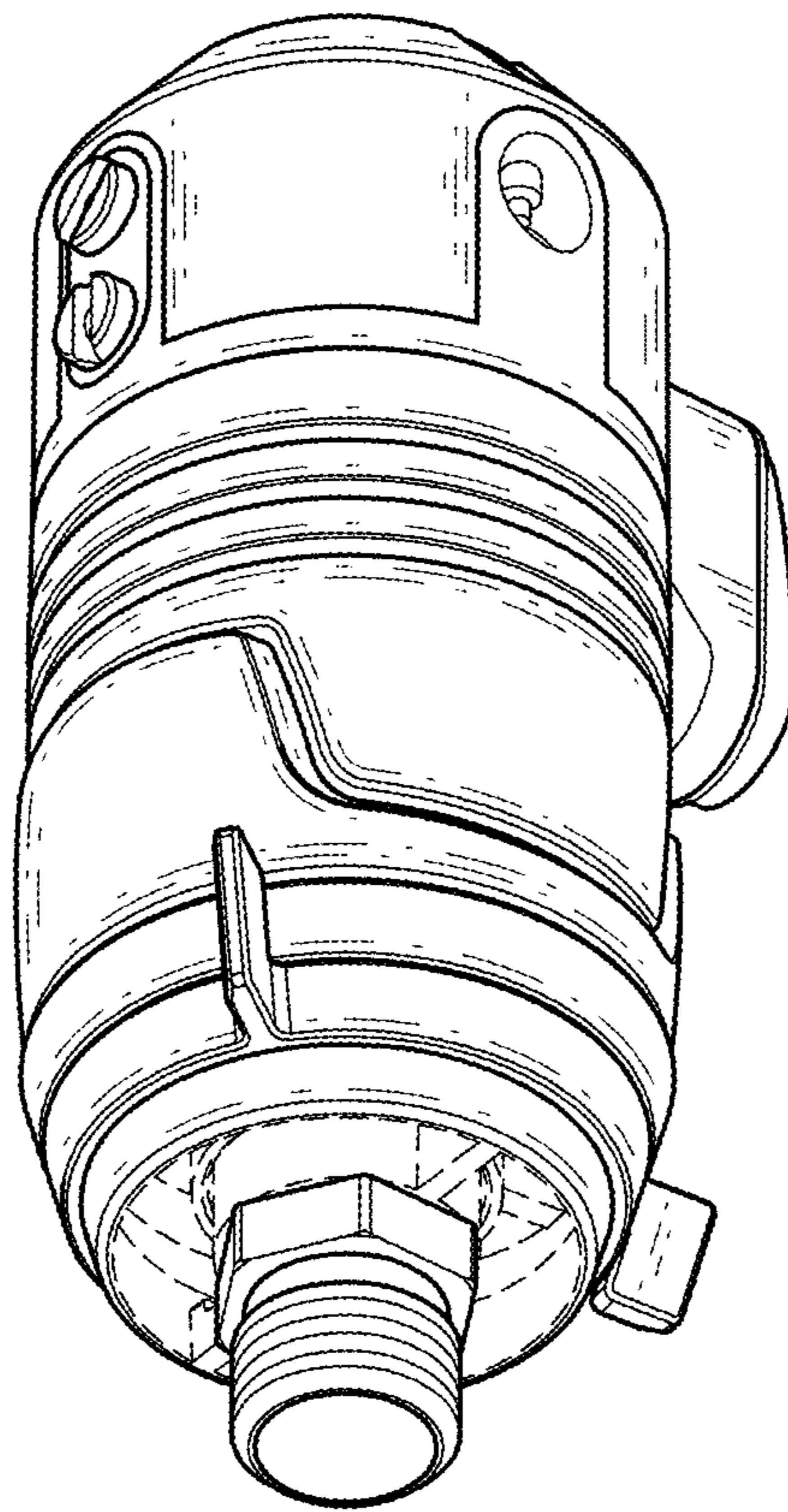


FIG.8