



US00D908835S

(12) **United States Design Patent** (10) **Patent No.:** **US D908,835 S**
Barney (45) **Date of Patent:** **** Jan. 26, 2021**

(54) **SPRAY TIP**
(71) Applicant: **Graco Minnesota Inc.**, Minneapolis, MN (US)
(72) Inventor: **Paul G. Barney**, Maple Grove, MN (US)

D727,466 S 4/2015 Richter et al.
D796,003 S * 8/2017 Rossner D23/213
D819,784 S 6/2018 Teraki et al.
2001/0032889 A1 * 10/2001 Tam B05B 15/534
239/119
2007/0102535 A1 * 5/2007 Carey B05B 15/534
239/74

(73) Assignee: **Graco Minnesota Inc.**, Minneapolis, MN (US)

FOREIGN PATENT DOCUMENTS

EP 0781607 A2 * 7/1997 B05B 15/534
TW D104245 4/2005
TW D145000 1/2012

(**) Term: **15 Years**

(21) Appl. No.: **29/677,180**

OTHER PUBLICATIONS

<https://www.amazon.com/Graco-FFLP310-Pressure-Reversible-Airless/dp/> (Year: 2014).*
ROC (Taiwan) Design Patent Application No. 108304053, Dated Mar. 12, 2020, pp. 5.

(22) Filed: **Jan. 17, 2019**

(51) **LOC (13) Cl.** **23-01**

(52) **U.S. Cl.**
USPC **D23/213**

(58) **Field of Classification Search**
USPC D23/213, 214, 215, 223, 224, 226, 229, D23/230
CPC A61H 9/0021; A61H 33/00; B05B 1/00; B05B 1/14; B05B 1/185; B05B 1/08; B05B 1/02; B05B 1/26; B05B 12/002; B05B 1/18; B05B 9/01
See application file for complete search history.

* cited by examiner

Primary Examiner — Manpreet S Matharu
Assistant Examiner — Keith J Wilson
(74) *Attorney, Agent, or Firm* — Kinney & Lange, P. A.

(57) **CLAIM**

The ornamental design for a spray tip, as shown and described.

(56) **References Cited**

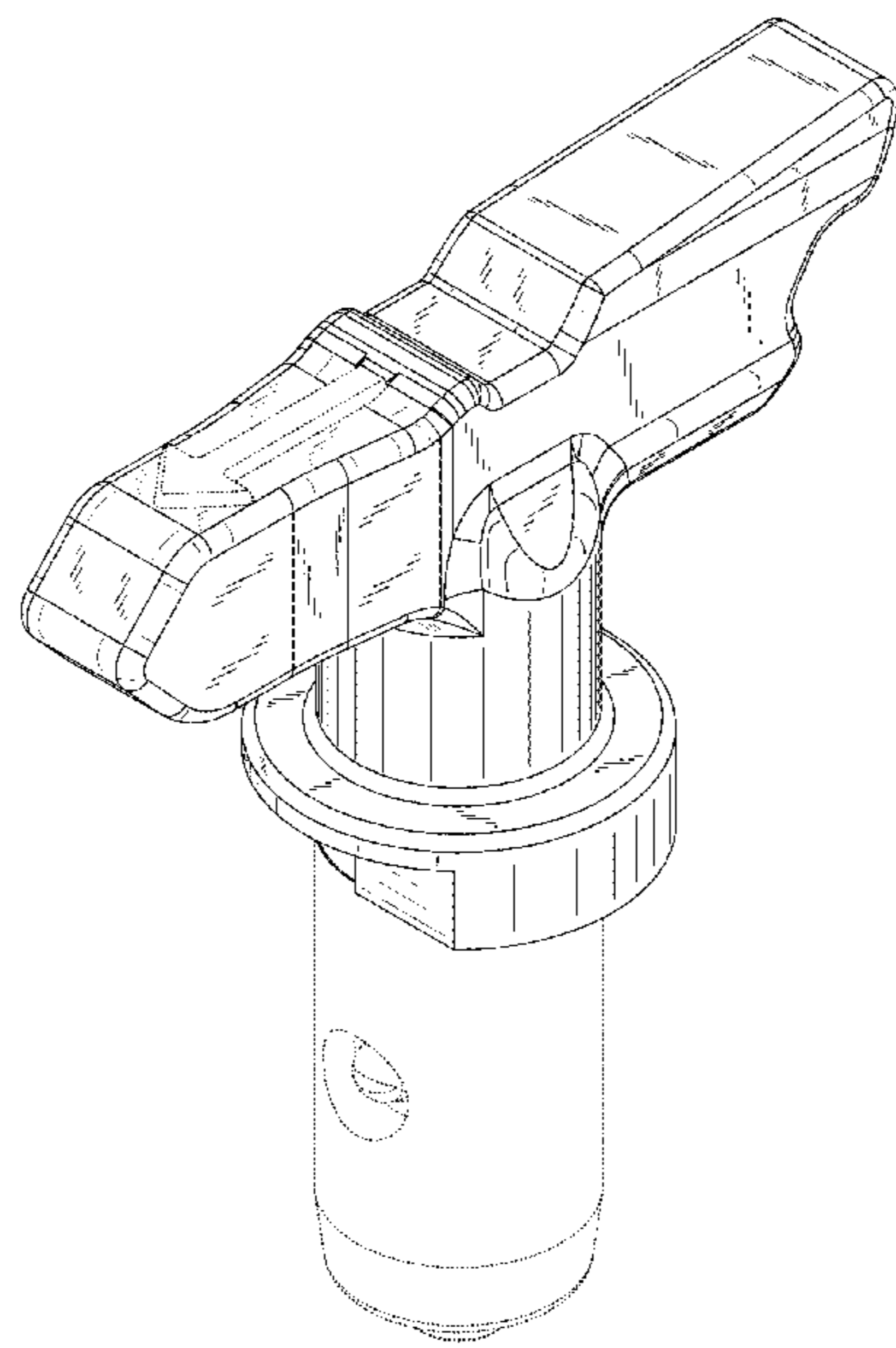
DESCRIPTION

U.S. PATENT DOCUMENTS

4,971,249 A * 11/1990 Tam B05B 15/534
239/119
5,765,753 A * 6/1998 Kieffer B05B 15/534
239/119
5,893,522 A * 4/1999 Kieffer B05B 15/534
239/600
6,481,640 B1 * 11/2002 Carey B05B 9/01
239/119
6,978,944 B1 * 12/2005 Carey B05B 15/534
239/119

FIG. 1 is a perspective view of a spray tip.
FIG. 2 is a right side view of the spray tip.
FIG. 3 is a left side view of the spray tip.
FIG. 4 is a front elevational view of the spray tip.
FIG. 5 is a rear elevational view of the spray tip.
FIG. 6 is a top plan view of the spray tip; and,
FIG. 7 is a bottom plan view of the spray tip.
The broken lines shown represent portions of a spray tip and form no part of the claimed design.

1 Claim, 6 Drawing Sheets



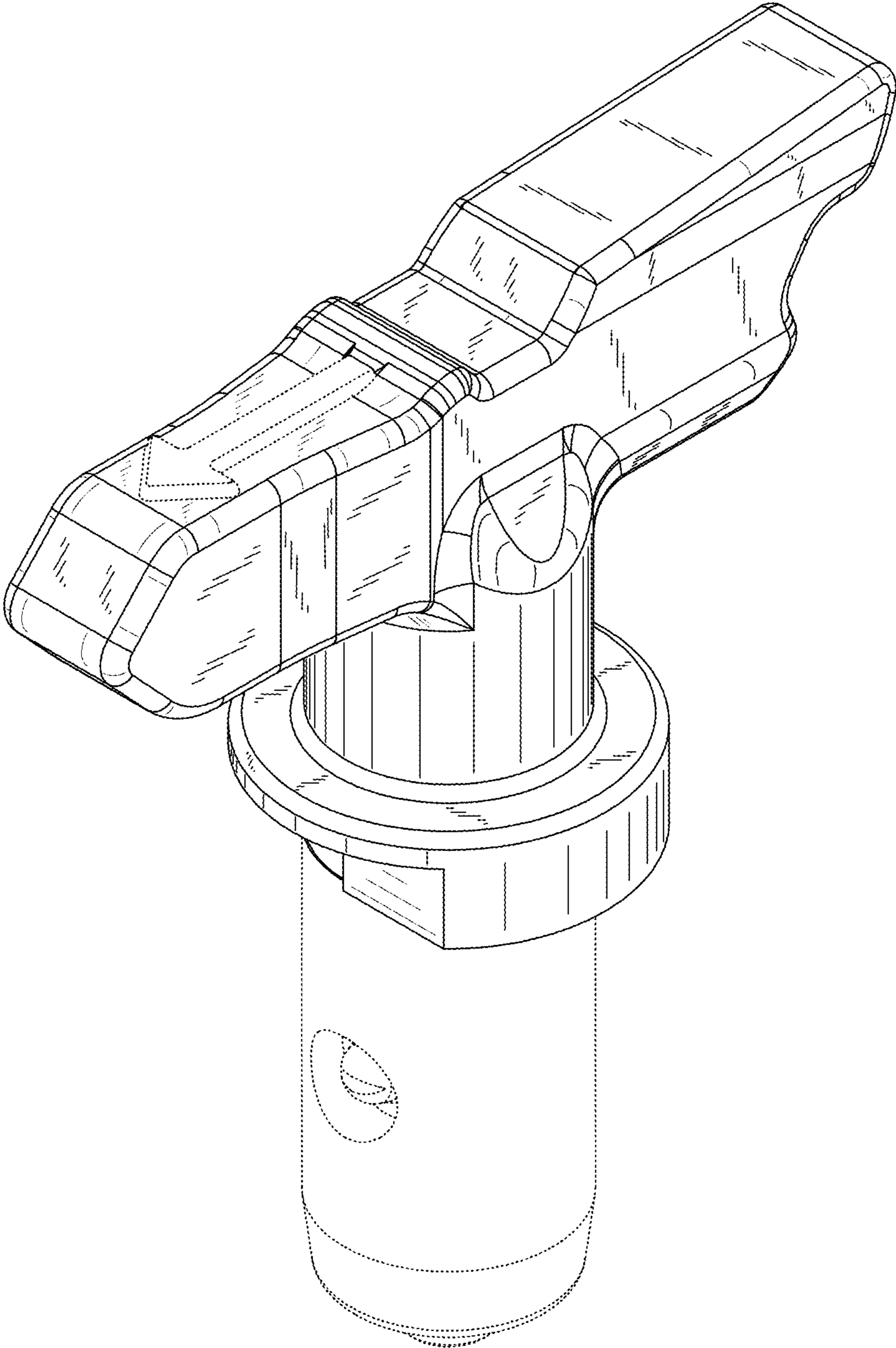


Fig. 1

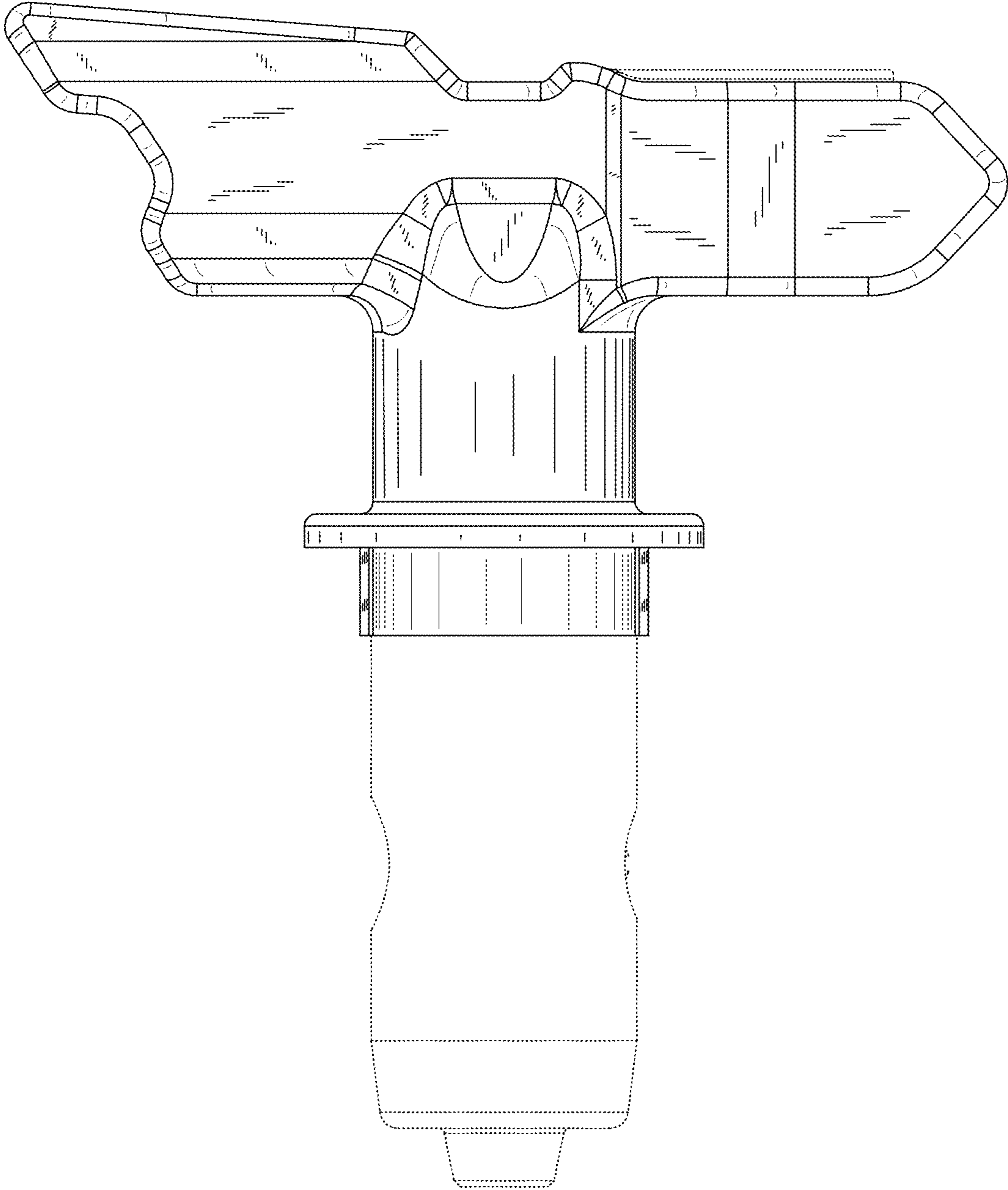


Fig. 2

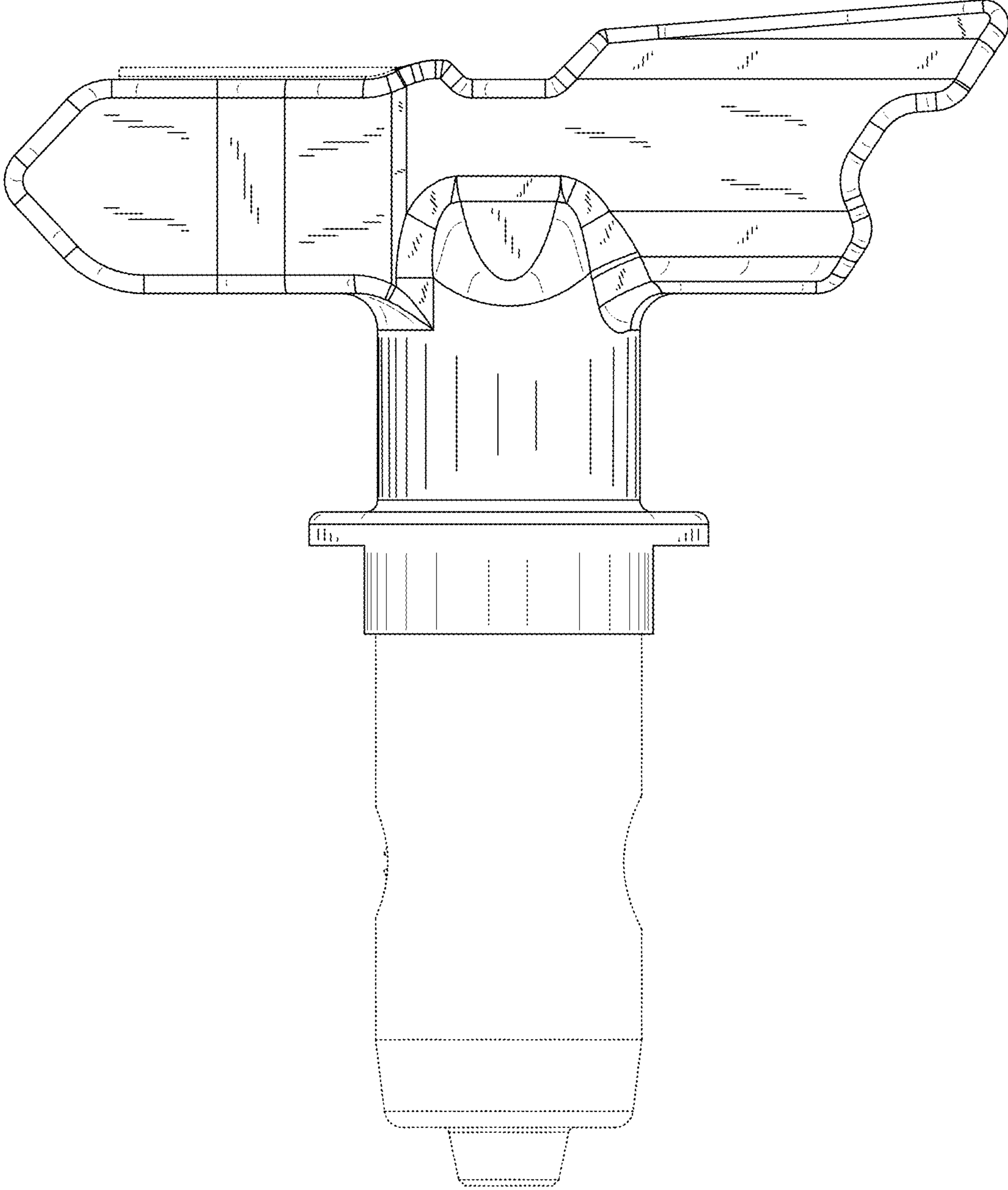


Fig. 3

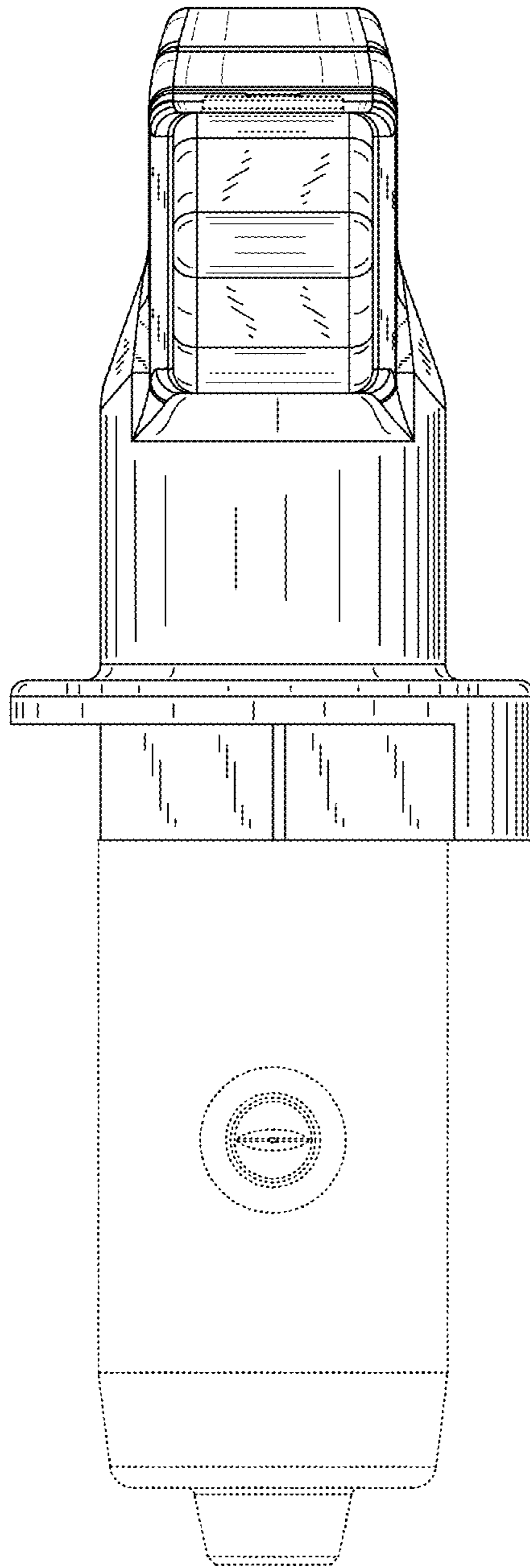


Fig. 4

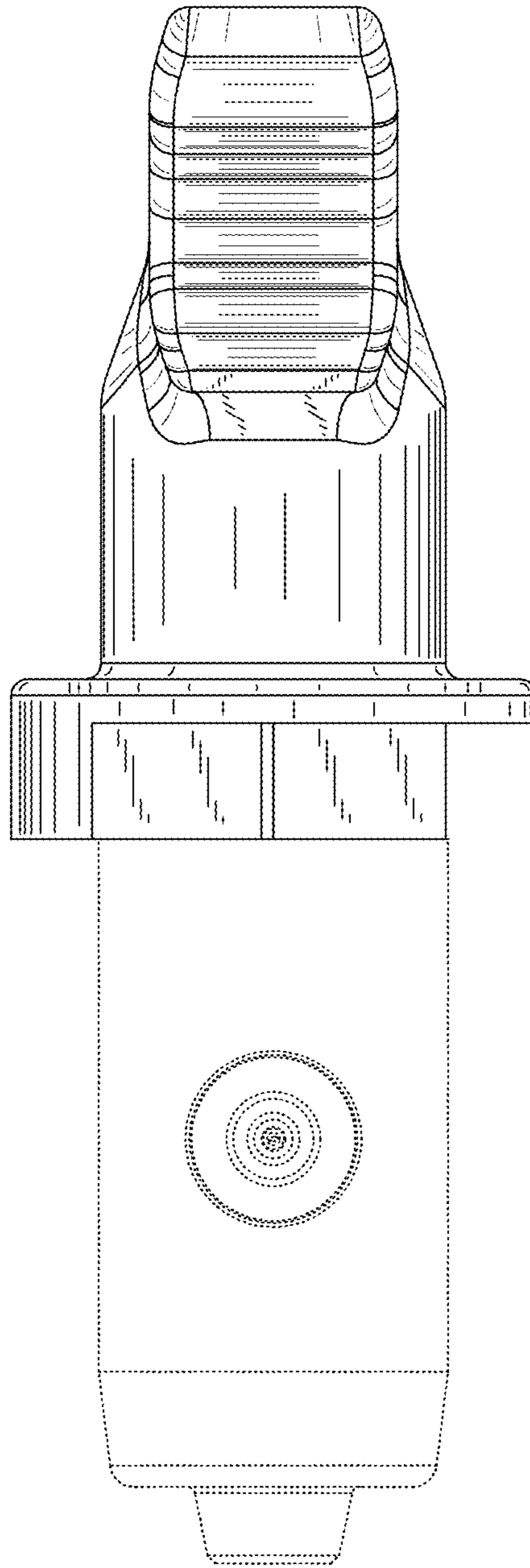


Fig. 5

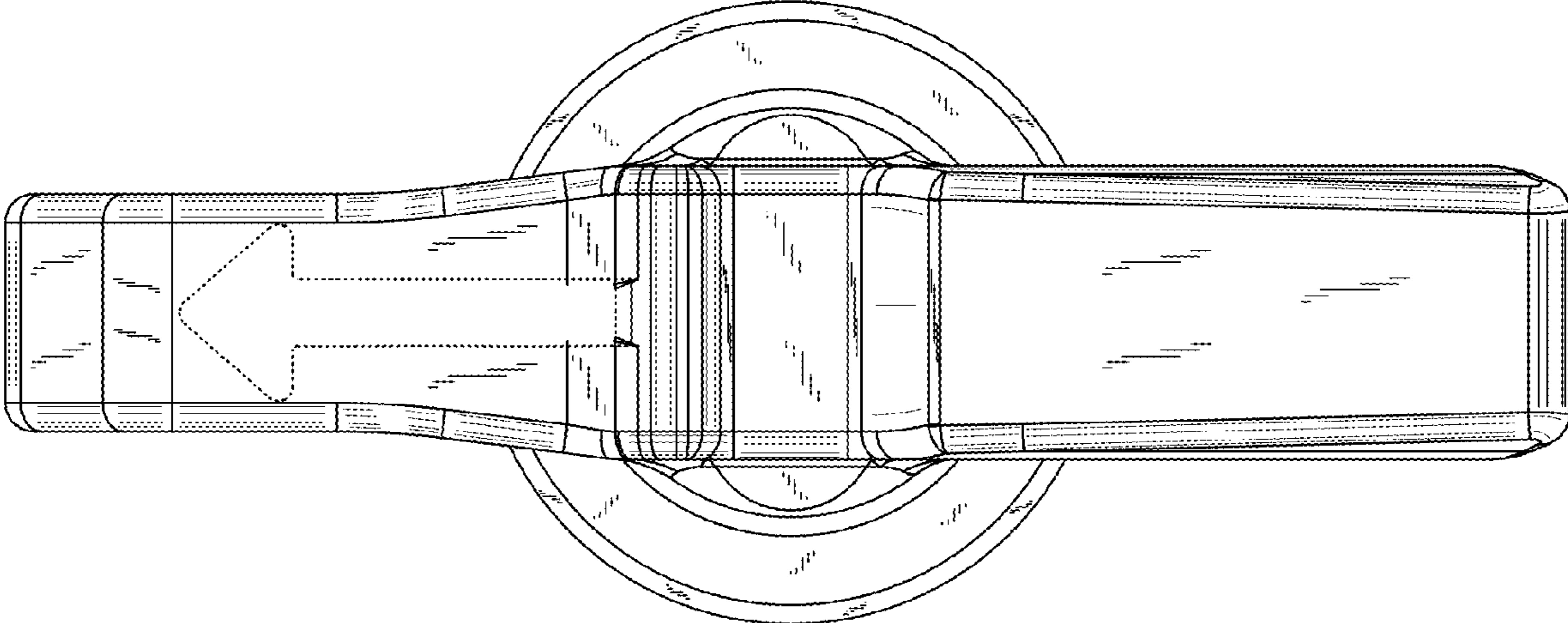


Fig. 6

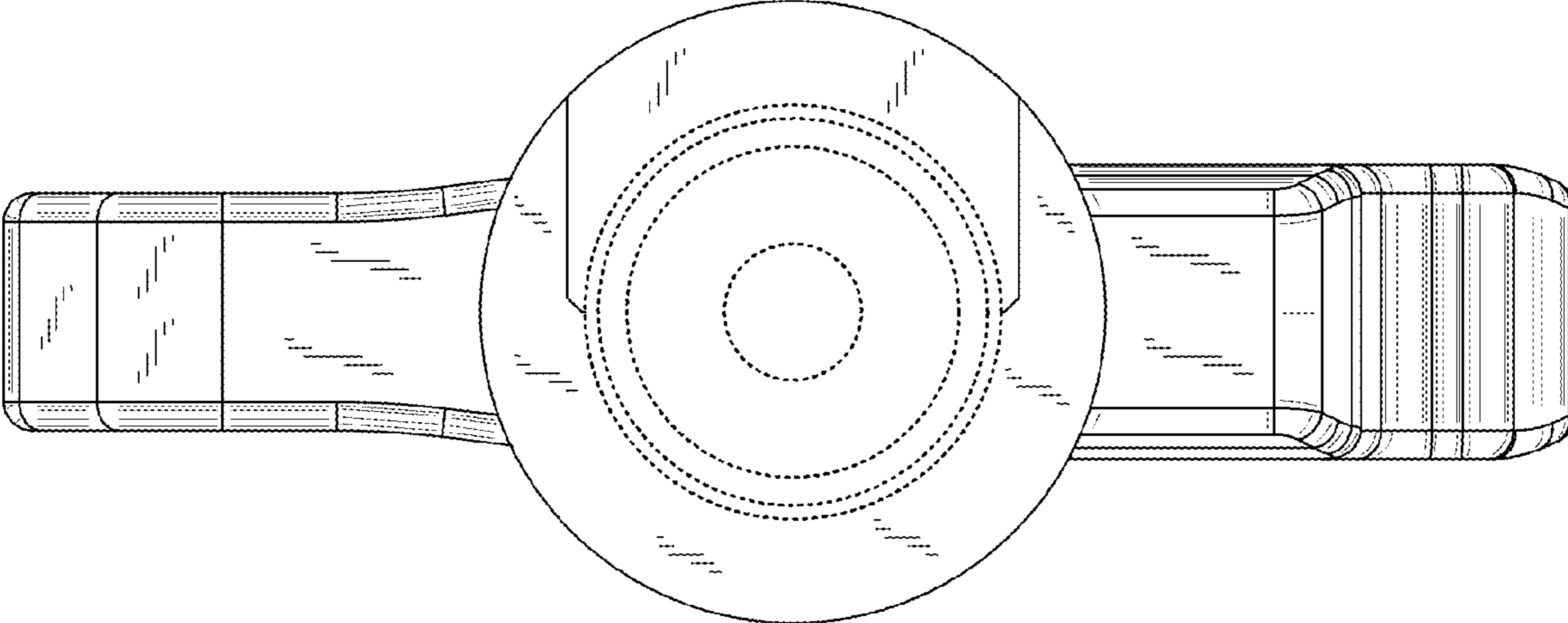


Fig. 7