



US00D908830S

(12) **United States Design Patent**
Siebenaler

(10) **Patent No.:** **US D908,830 S**

(45) **Date of Patent:** **** Jan. 26, 2021**

- (54) **HOLDER FOR GOLF BALL MARKER**
- (71) Applicant: **Molly Siebenaler**, Dunlap, IL (US)
- (72) Inventor: **Molly Siebenaler**, Dunlap, IL (US)
- (**) Term: **15 Years**
- (21) Appl. No.: **29/678,297**
- (22) Filed: **Jan. 28, 2019**
- (51) **LOC (13) Cl.** **21-02**
- (52) **U.S. Cl.**
USPC **D21/796**
- (58) **Field of Classification Search**
USPC D21/789, 793, 794, 796
CPC A63B 57/353; A63B 57/207; A63B 57/00;
A63B 57/30; A63B 57/35; A63B 57/50
See application file for complete search history.

7,922,605 B2 * 4/2011 Lim A63B 57/353
473/406
D652,101 S * 1/2012 Ward D21/794
D741,972 S * 10/2015 McDevitt D21/794
D760,853 S * 7/2016 Wallin D21/759
D763,378 S * 8/2016 Wallin D21/759
D816,178 S * 4/2018 Goserud D21/794
D831,145 S * 10/2018 Kuo D21/796
2010/0203979 A1 * 8/2010 Hyman A63B 53/14
473/285

* cited by examiner

Primary Examiner — Mitchell I. Siegel

(74) *Attorney, Agent, or Firm* — von Briesen & Roper, s.c.

(57) **CLAIM**

The ornamental design for a holder for a golf ball marker, as shown and described.

(56) **References Cited**

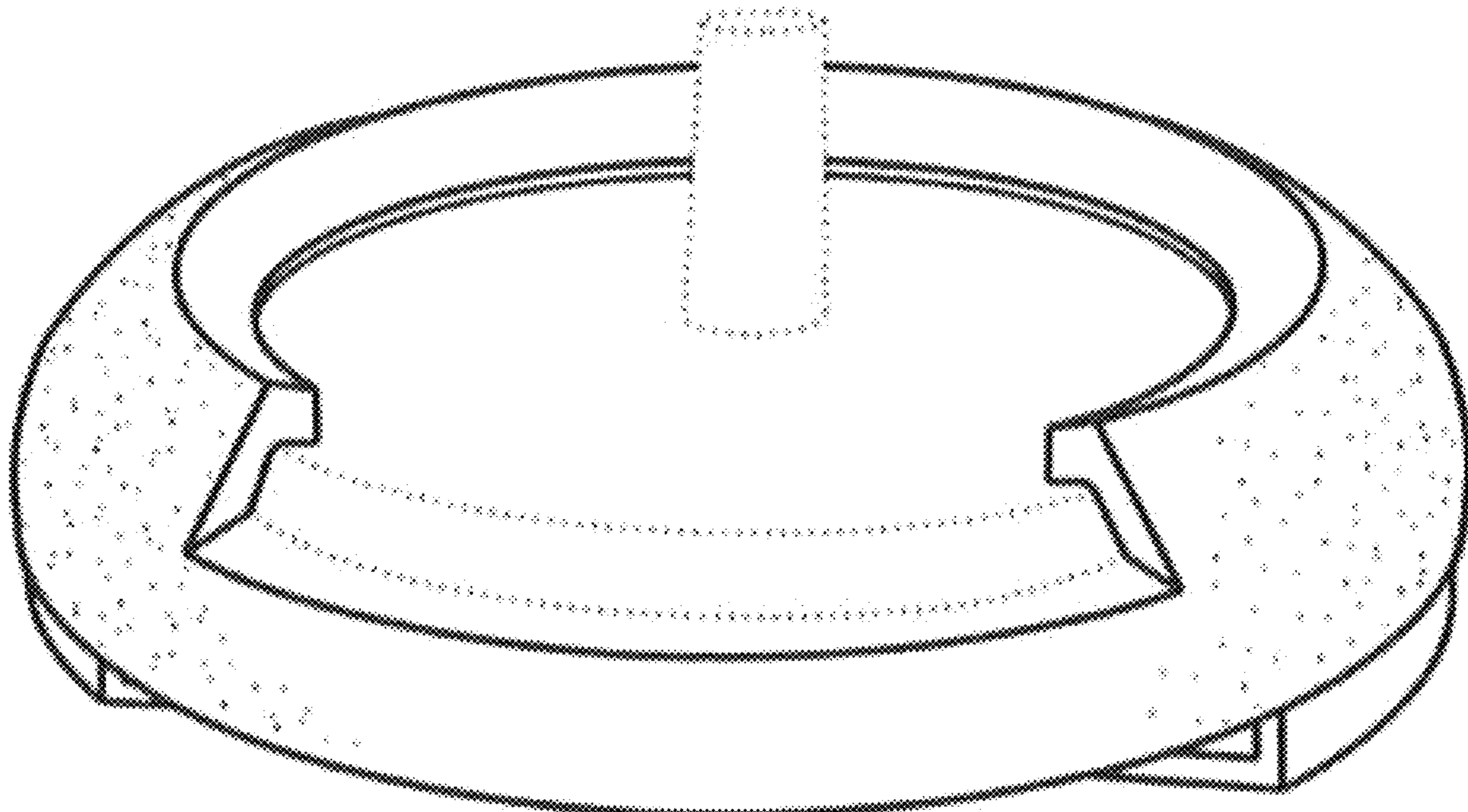
U.S. PATENT DOCUMENTS

- 4,239,216 A * 12/1980 Bauer A63B 57/00
473/285
- D266,445 S * 10/1982 Yokotaki D21/718
- D350,179 S * 8/1994 Johnson D21/794
- 5,795,249 A * 8/1998 Johnson A63B 57/353
473/406
- 6,422,955 B1 * 7/2002 Lopez A42B 1/24
473/406
- 6,966,851 B1 * 11/2005 England A42B 1/24
473/406
- D530,767 S * 10/2006 Davis D21/794
- D540,902 S * 4/2007 Regalado D21/794
- D588,670 S * 3/2009 Walz D21/794
- 7,828,670 B1 * 11/2010 Schroader A63B 53/14
473/285

DESCRIPTION

FIG. 1 is a top view of a holder for a golf ball marker showing our new design;
 FIG. 2 is a bottom view thereof;
 FIG. 3 is a perspective view thereof;
 FIG. 4 is a front view thereof;
 FIG. 5 is a rear view thereof;
 FIG. 6 is a right side thereof, the opposite side being a mirror image;
 FIG. 7 is another perspective view thereof; and,
 FIG. 8 is a perspective view of the holder for a golf ball marker. The broken line showing the golf ball marker forms no part of the design.

1 Claim, 4 Drawing Sheets



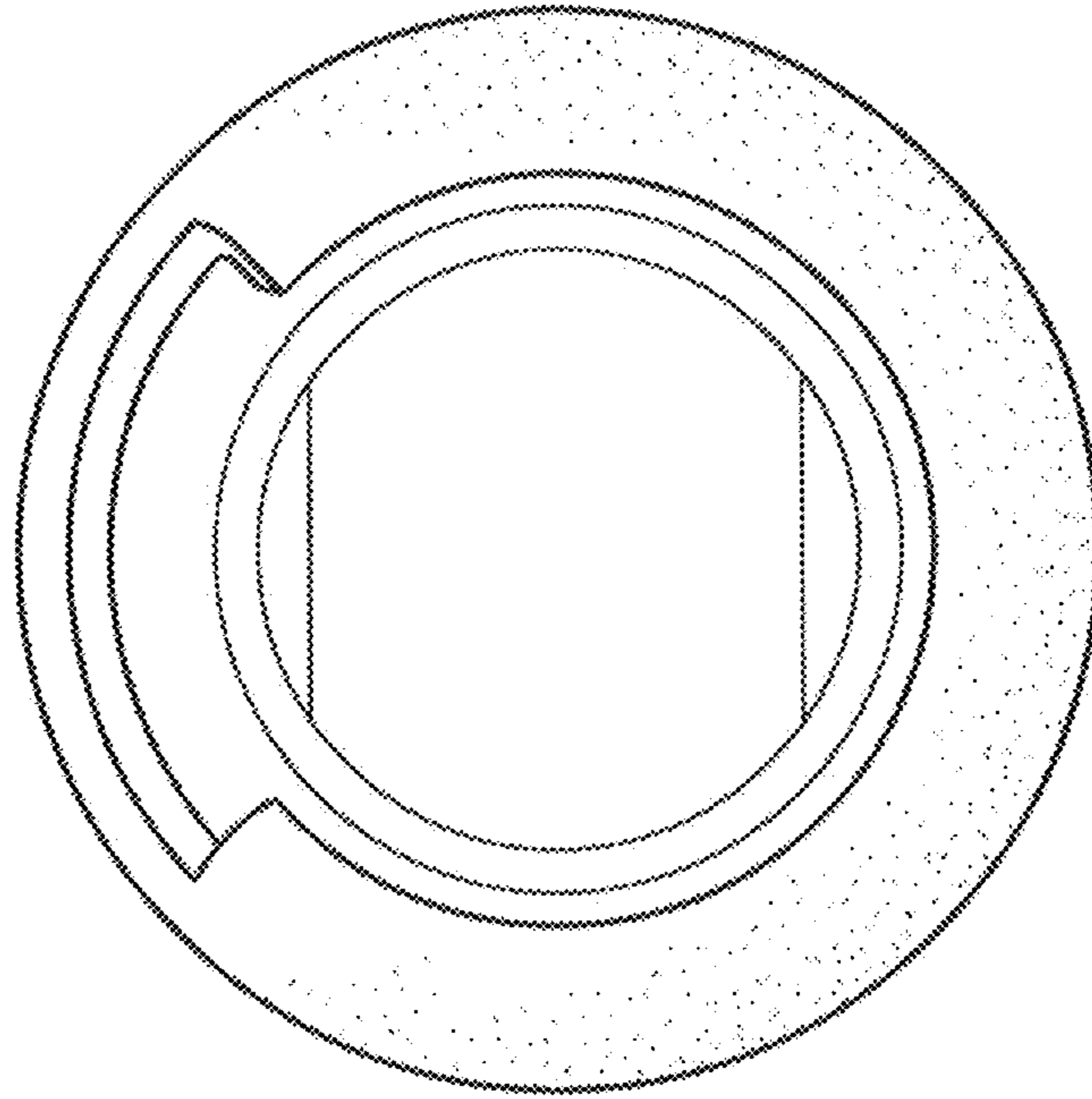


FIG. 1

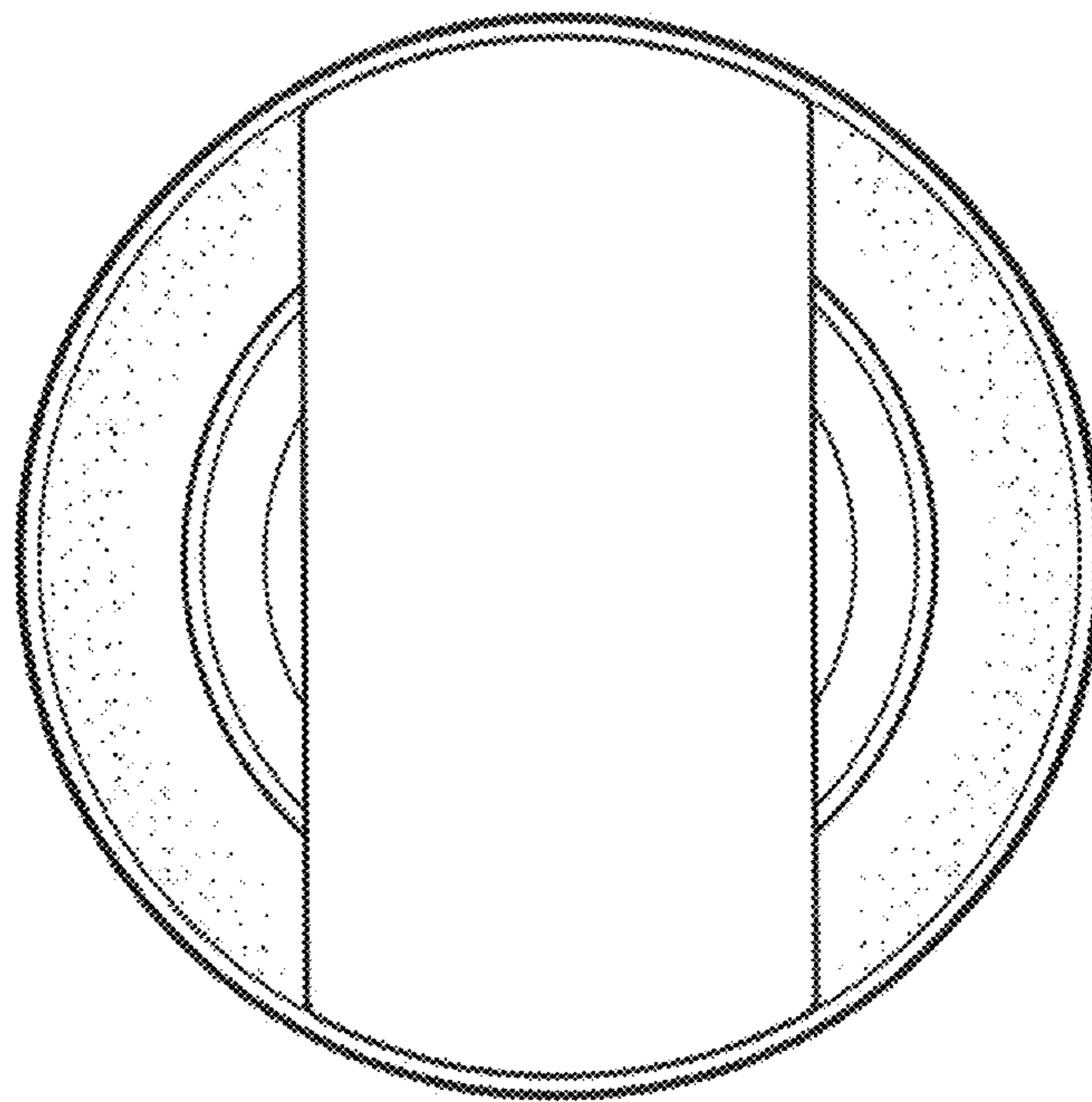


FIG. 2

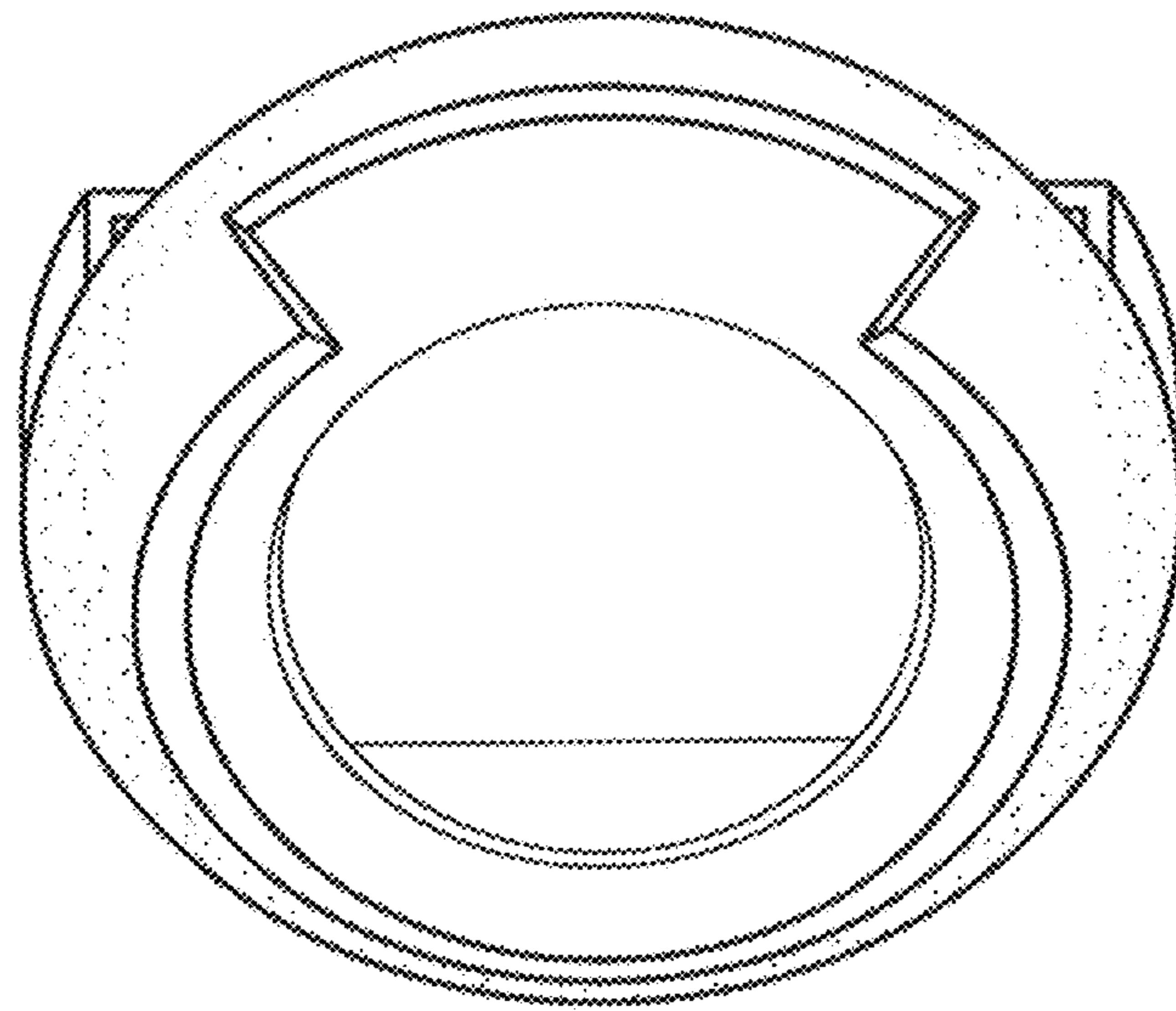


FIG. 3

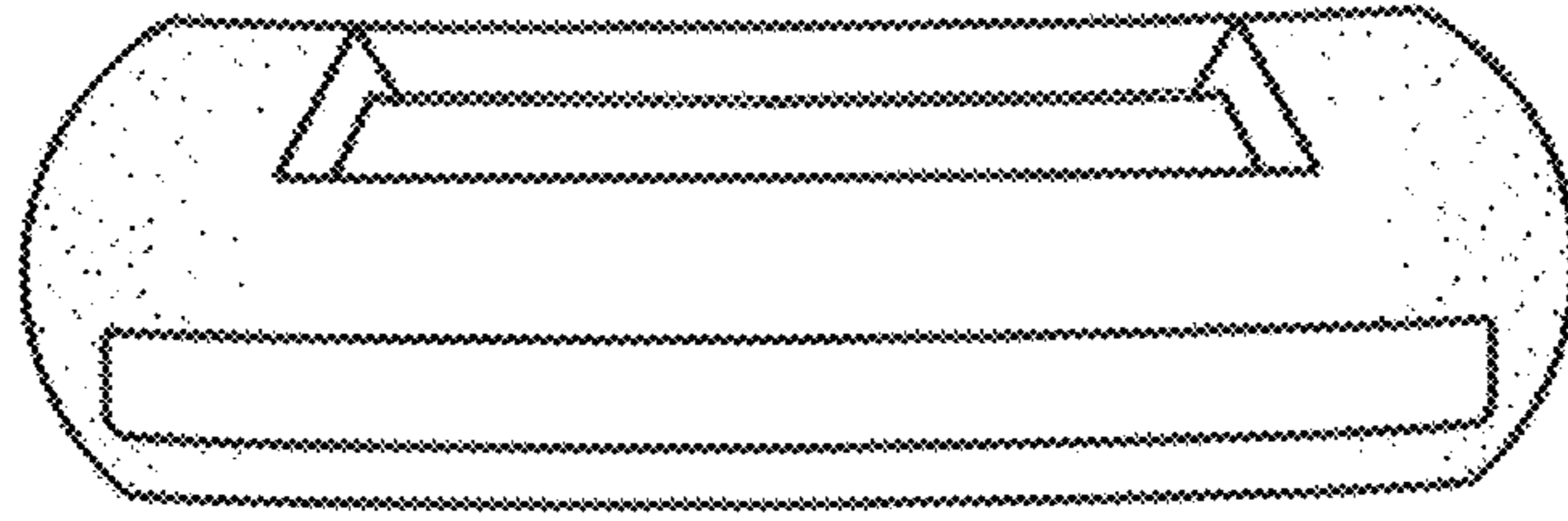


FIG. 4

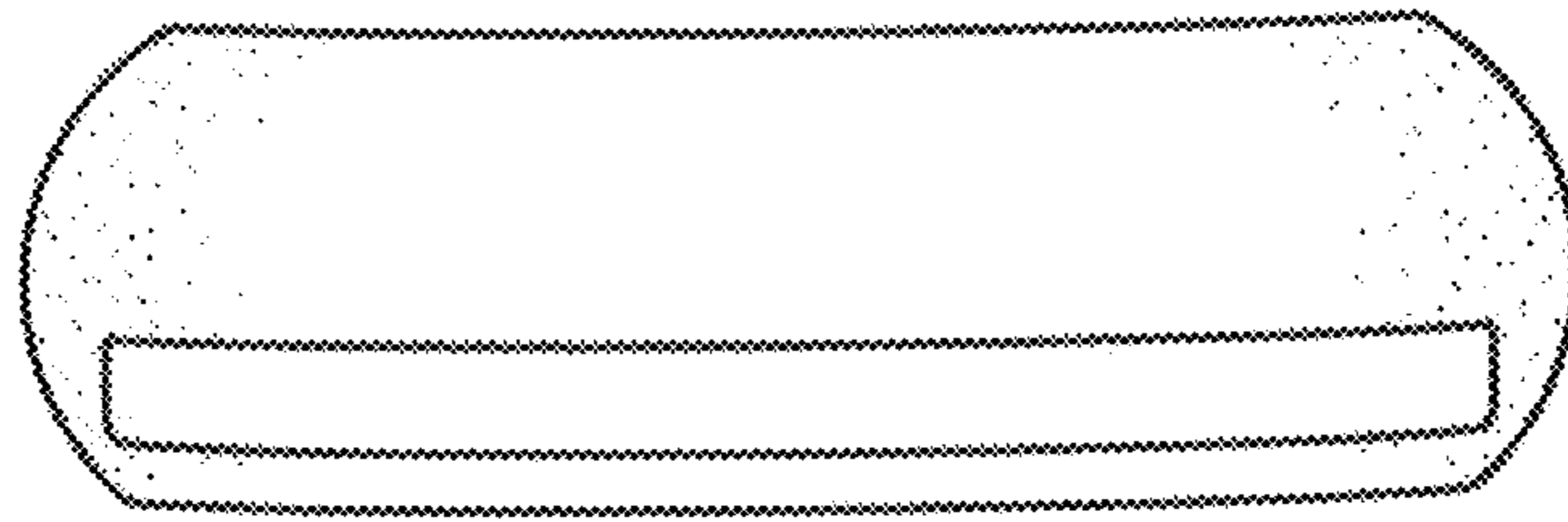


FIG. 5

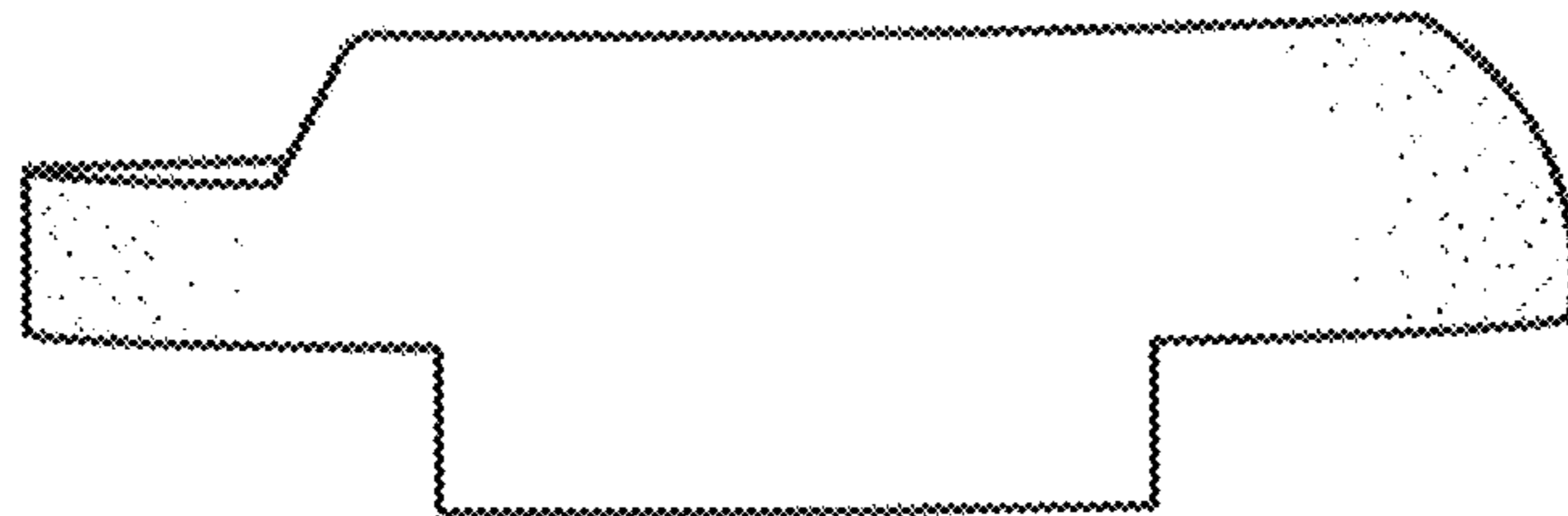


FIG. 6

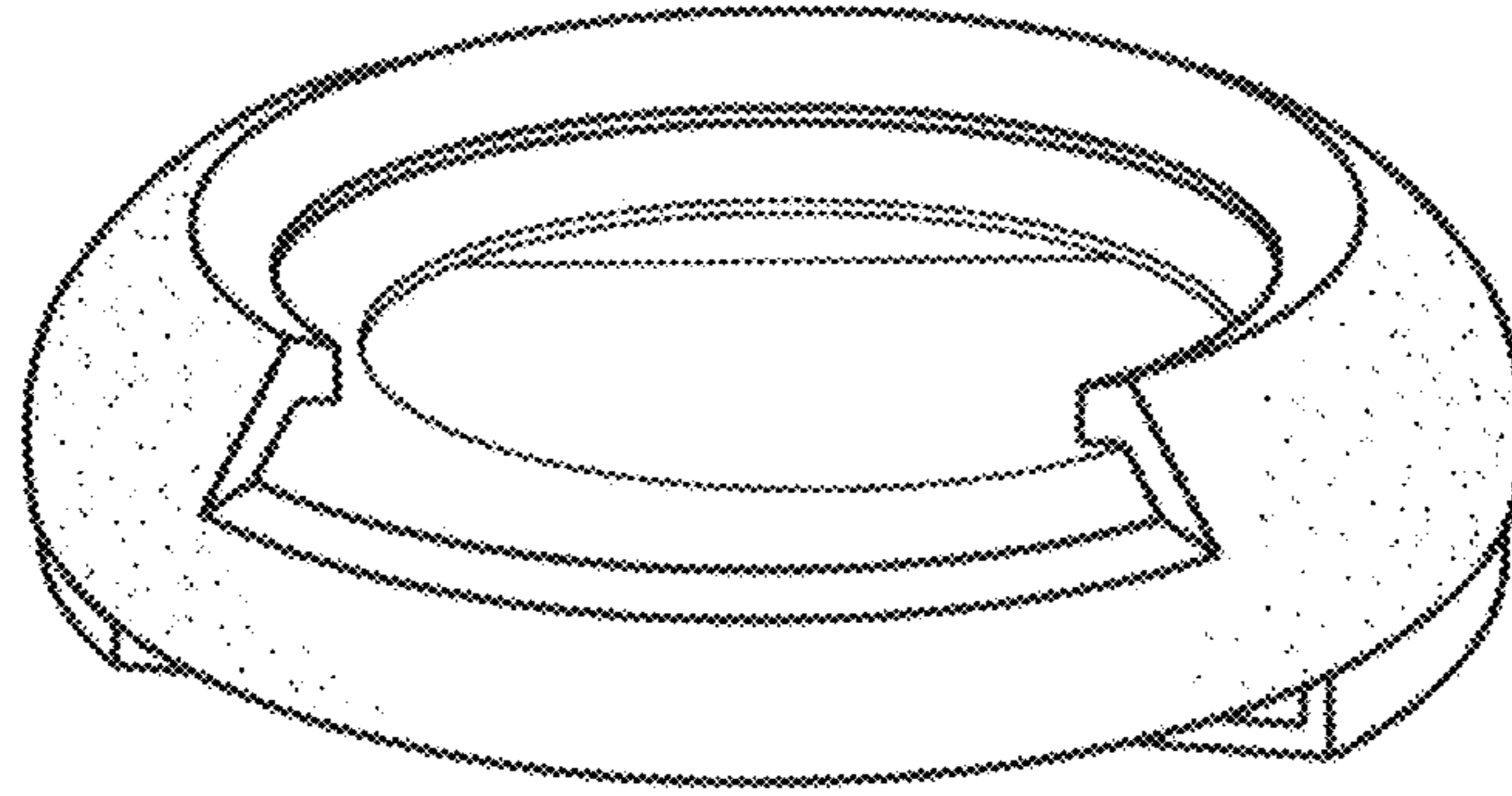


FIG. 7

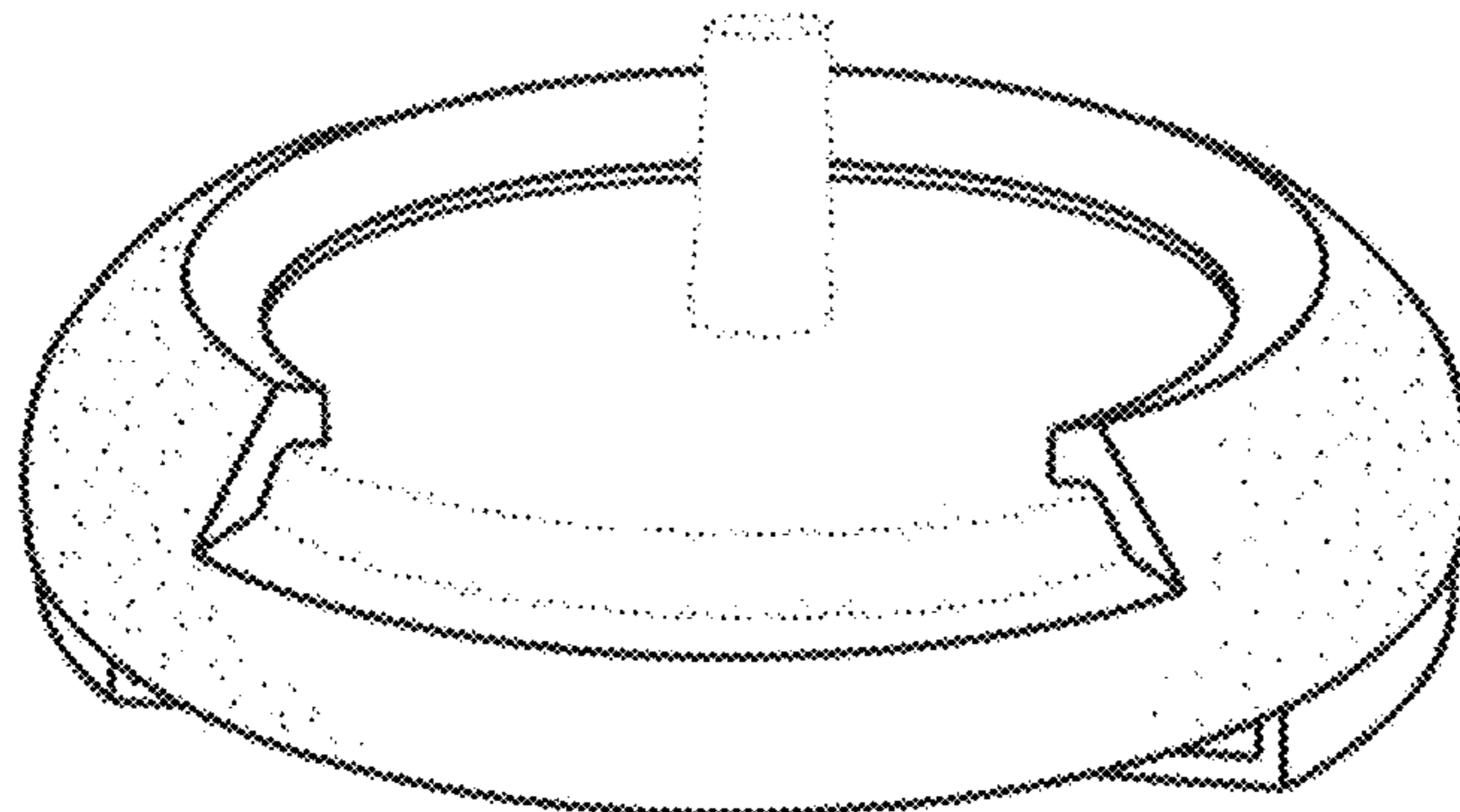


FIG. 8