



US00D908829S

(12) **United States Design Patent**
Whitfield

(10) **Patent No.:** **US D908,829 S**

(45) **Date of Patent:** **** Jan. 26, 2021**

(54) **SINGLE PANEL GOLF PUTTING TRAINING AID**

(71) Applicant: **Richard A. Whitfield**, Hobe Sound, FL (US)

(72) Inventor: **Richard A. Whitfield**, Hobe Sound, FL (US)

(**) Term: **15 Years**

(21) Appl. No.: **29/679,377**

(22) Filed: **Feb. 5, 2019**

(51) **LOC (13) Cl.** **21-02**

(52) **U.S. Cl.**
USPC **D21/791**

(58) **Field of Classification Search**
USPC D21/789, 791
CPC . A63B 69/0059; A63B 69/36; A63B 69/3608;
A63B 69/3641; A63B 69/3644; A63B
69/3676; A63B 69/3685; A63B 69/3661
See application file for complete search history.

(56) **References Cited**

U.S. PATENT DOCUMENTS

- 2,084,901 A * 6/1937 Eisenberg A63B 69/3676
473/229
- 2,084,902 A * 6/1937 Eisenberg A63B 69/3676
473/229
- 3,471,155 A * 10/1969 Donaldson A63B 69/3676
473/260
- 3,572,720 A * 3/1971 Berg A63B 69/3676
473/159
- 3,885,796 A * 5/1975 King A63B 69/3676
473/265
- D245,035 S * 7/1977 Gordon D21/790

- 4,153,255 A * 5/1979 Woodson A63B 69/3676
473/251
- 4,437,669 A * 3/1984 Pelz A63B 69/3676
473/265
- D273,803 S * 5/1984 Johnson D21/790
- D380,518 S * 7/1997 Barton D21/791
- D470,906 S * 2/2003 Shaw D21/791
- D514,645 S * 2/2006 Edwards D21/791
- D535,716 S * 1/2007 Officer D21/791
- D641,061 S * 7/2011 Finau D21/791
- D641,448 S * 7/2011 Sessions D21/791
- D646,739 S * 10/2011 Forest D21/791
- D746,932 S * 1/2016 Donaghue D21/791
- D767,068 S * 9/2016 Doviddio D21/791
- D879,898 S * 3/2020 Krantz D21/791
- D880,633 S * 4/2020 Krantz D21/791

* cited by examiner

Primary Examiner — Mitchell I. Siegel

(74) *Attorney, Agent, or Firm* — McHale & Slavin, P.A.

(57) **CLAIM**

The ornamental design for a single panel golf putting training aid, as shown and described.

DESCRIPTION

FIG. 1 is perspective view of the single panel golf putting training aid of the instant invention having a flexible transparent single panel;

FIG. 2 is a front end view thereof;

FIG. 3 is a rear end view thereof;

FIG. 4 is a top plane view thereof;

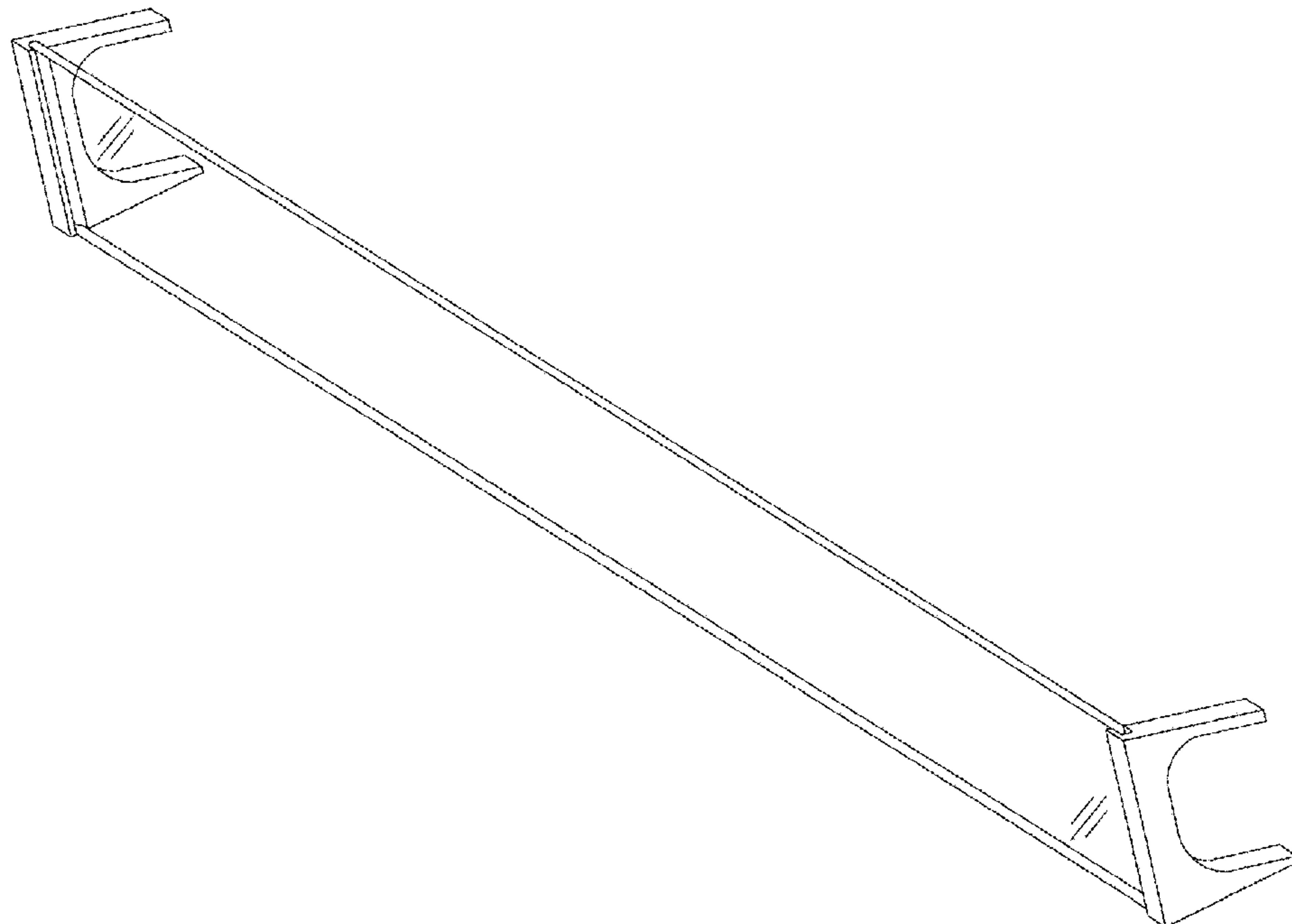
FIG. 5 is a bottom plane view thereof;

FIG. 6 is an inverted left side view thereof;

FIG. 7 is a right side view thereof; and,

FIG. 8 is a perspective view of a second embodiment of the single panel golf putting training aid.

1 Claim, 7 Drawing Sheets



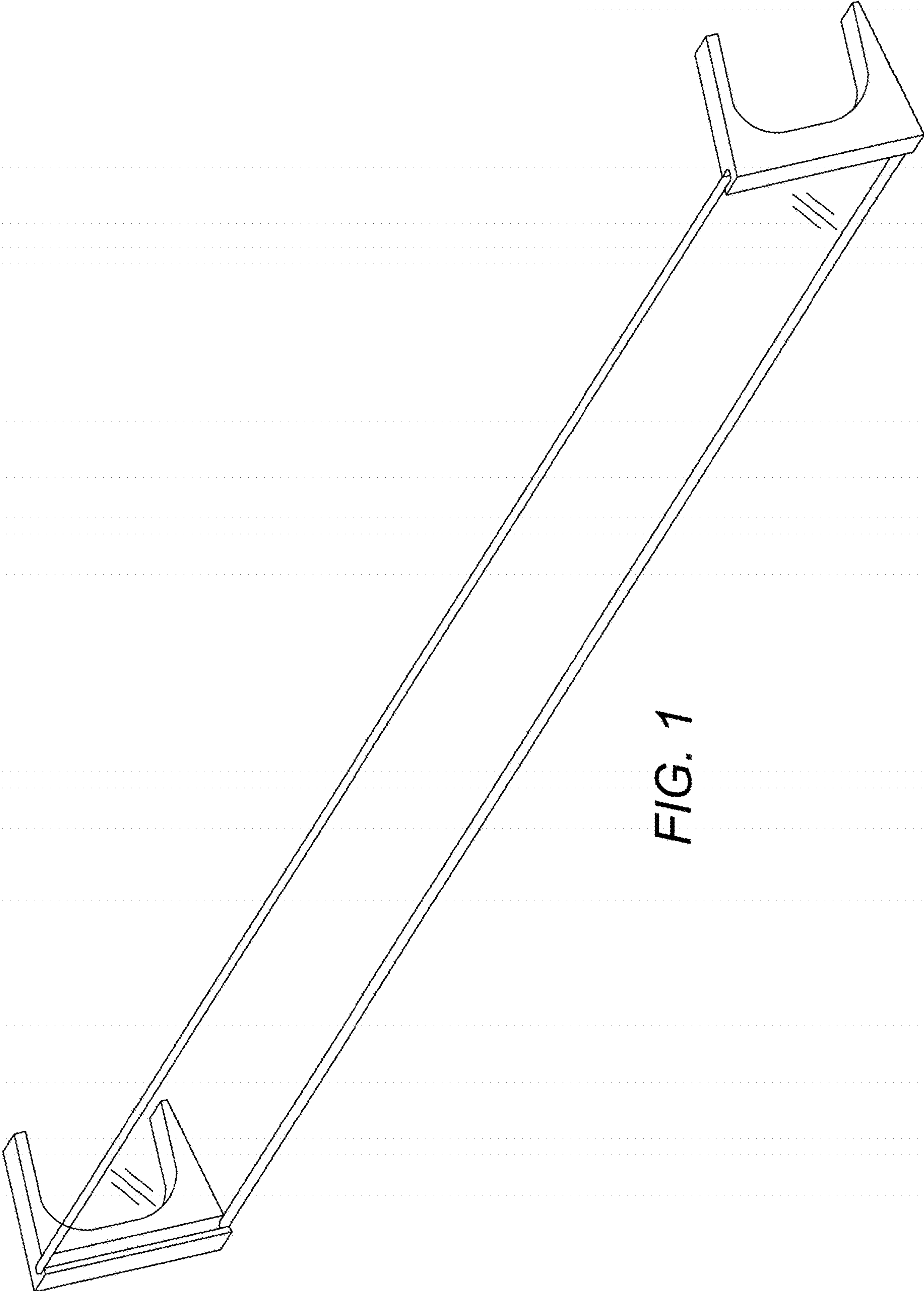


FIG. 1

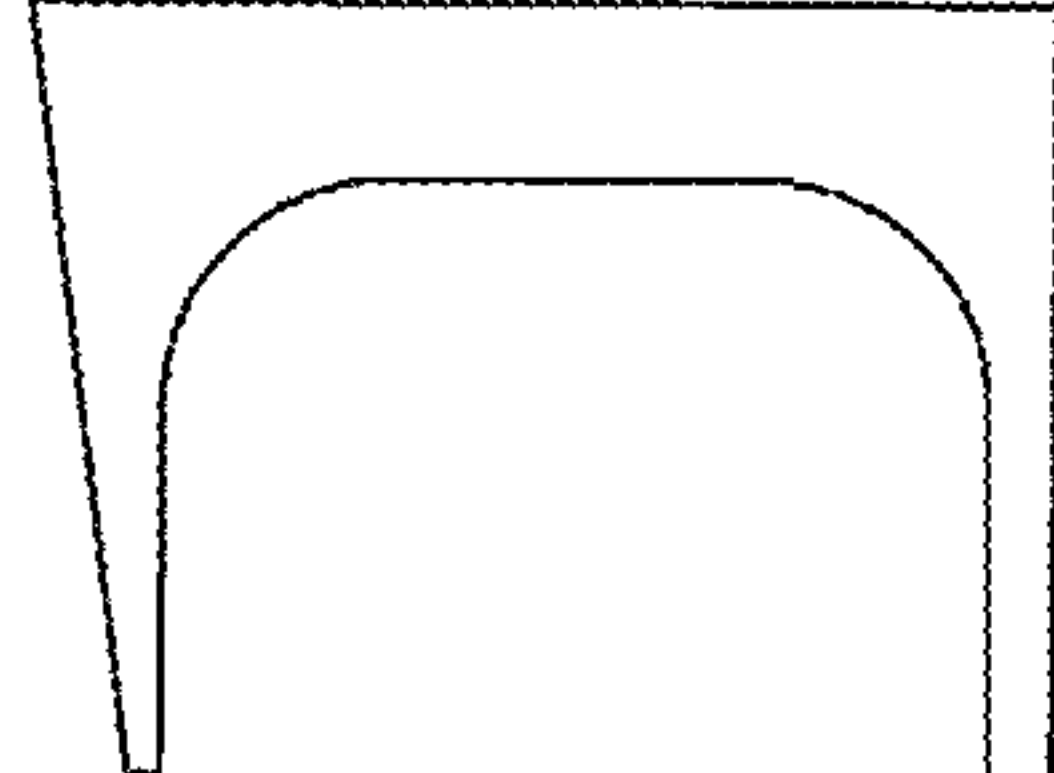


FIG. 3

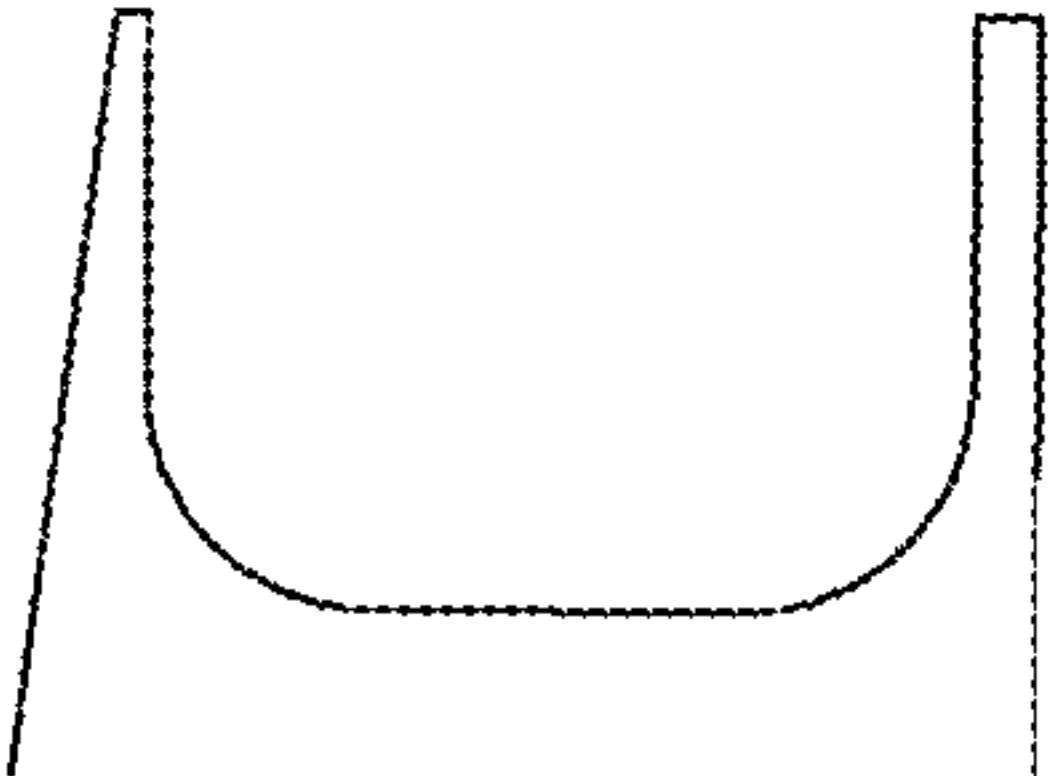


FIG. 2

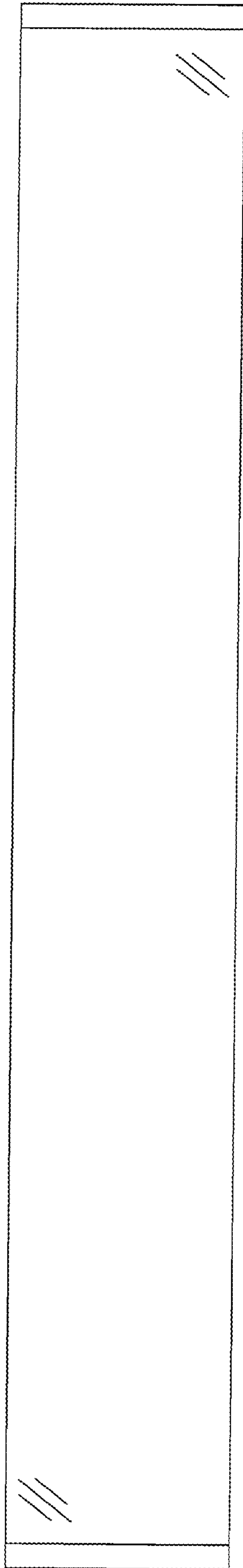


FIG. 4

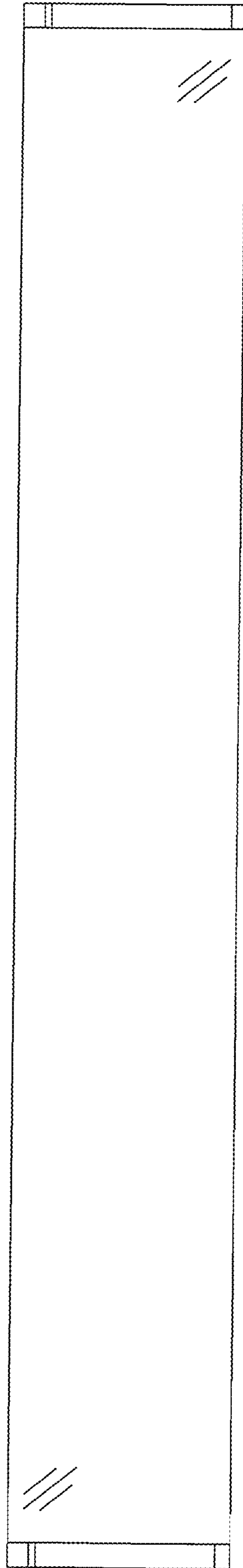


FIG. 5

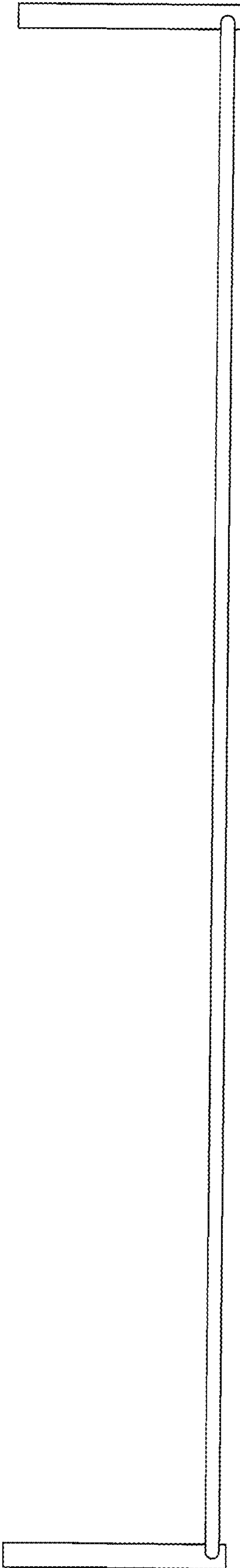


FIG. 6

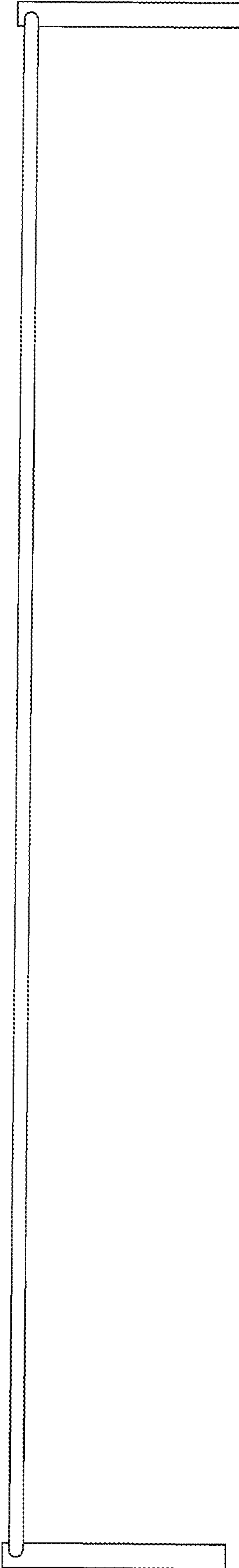


FIG. 7

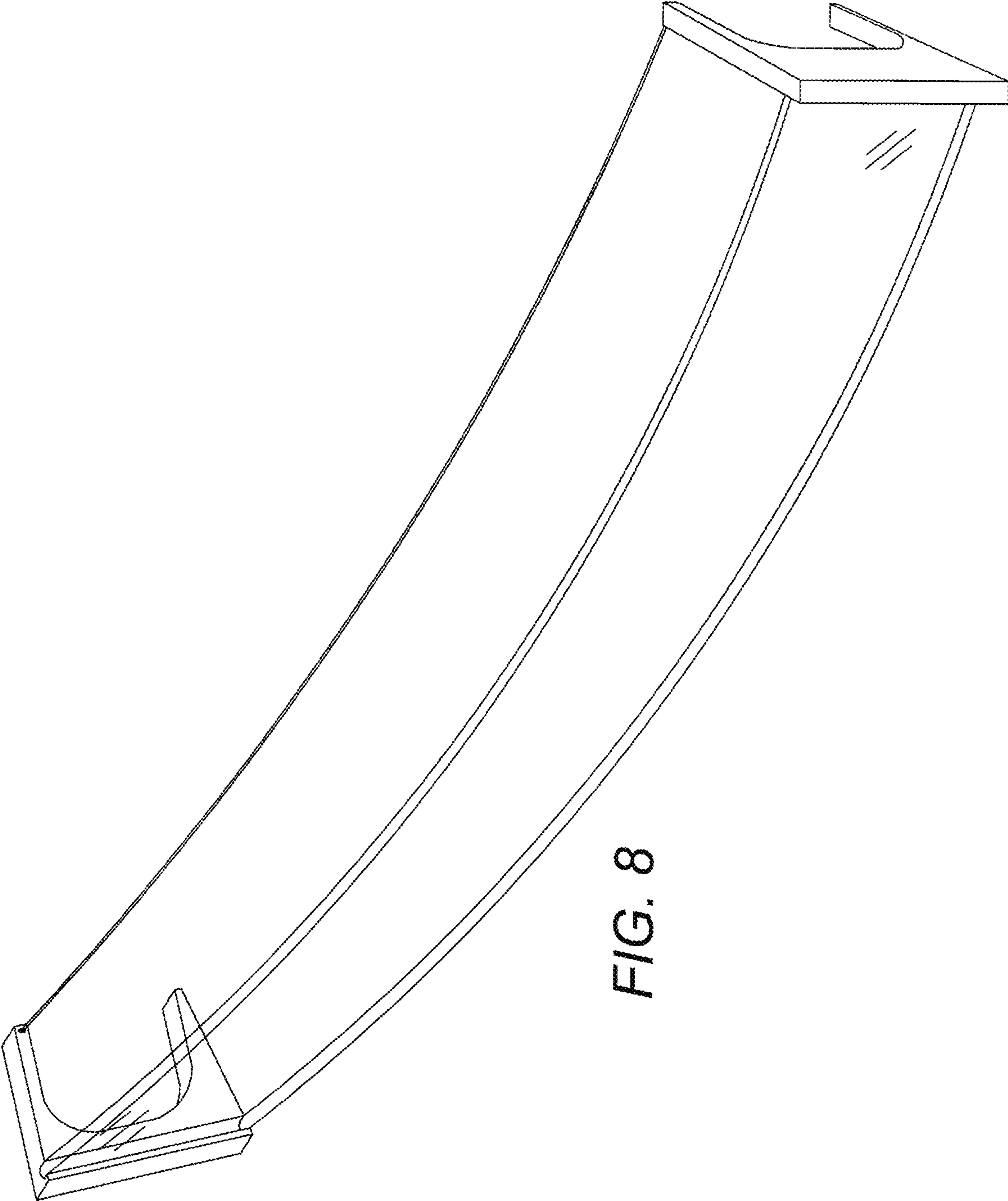


FIG. 8