

US00D908827S

(12) **United States Design Patent**
Rollinson et al.

(10) **Patent No.:** **US D908,827 S**
(45) **Date of Patent:** **** Jan. 26, 2021**

- (54) **PUTTER HEAD**
- (71) Applicant: **Callaway Golf Company**, Carlsbad, CA (US)
- (72) Inventors: **Augustin W. Rollinson**, Solana Beach, CA (US); **Oliver G. Brewer**, San Diego, CA (US)
- (73) Assignee: **Callaway Golf Company**, Carlsbad, CA (US)
- (**) Term: **15 Years**
- (21) Appl. No.: **29/698,507**
- (22) Filed: **Jul. 17, 2019**
- (51) **LOC (13) Cl.** **21-02**
- (52) **U.S. Cl.**
USPC **D21/759**
- (58) **Field of Classification Search**
USPC D21/736-746, 759
CPC A63B 53/00; A63B 53/04; A63B 53/007; A63B 53/065; A63B 53/0487; A63B 60/00; A63B 60/46
See application file for complete search history.

D548,296 S *	8/2007	Rollinson	D21/744
D557,361 S *	12/2007	Rollinson	D21/743
D569,462 S *	5/2008	Rollinson	D21/744
D572,780 S *	7/2008	Rollinson	D21/744
7,481,713 B2 *	1/2009	Beckman	A63B 53/0487 473/220
7,485,047 B2 *	2/2009	Evans	A63B 53/0487 473/249
D591,372 S *	4/2009	Tang	D21/743
D592,717 S *	5/2009	Rollinson	D21/742
D619,665 S *	7/2010	Rollinson	D21/742
D630,690 S *	1/2011	Rollinson	D21/746
D641,815 S *	7/2011	Rollinson	D21/744
D641,816 S *	7/2011	Rollinson	D21/744
D650,459 S *	12/2011	Rollinson	D21/746
D688,340 S *	8/2013	Tang	D21/742
D701,276 S *	3/2014	Izatt	D21/759
D704,287 S *	5/2014	Tang	D21/742
D710,469 S *	8/2014	Trahan	D21/759
D769,993 S *	10/2016	Abbott	D21/742
D801,458 S *	10/2017	Rollinson	D21/742

(Continued)

Primary Examiner — Mitchell I. Siegel
(74) *Attorney, Agent, or Firm* — Rebecca Hanovice; Michael Catania; Sonia Lari

(57) **CLAIM**

The ornamental design for a putter head, as shown and described.

DESCRIPTION

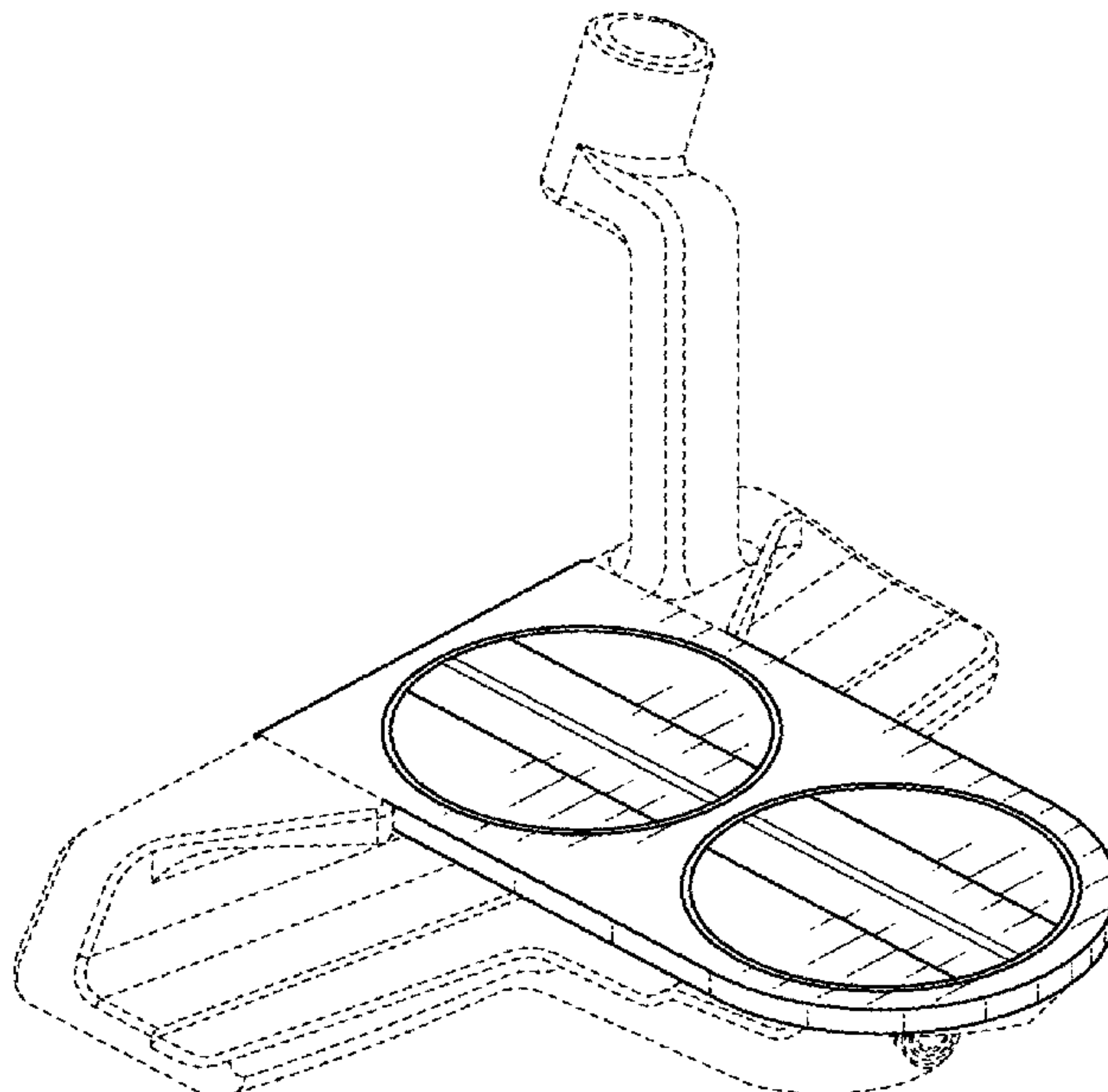
FIG. 1 is a top perspective view of the putter head claimed herein;
FIG. 2 is a rear elevational view thereof;
FIG. 3 is a front elevational view thereof;
FIG. 4 is a right side elevational view thereof;
FIG. 5 is a left side elevational view thereof;
FIG. 6 is a top plan view thereof; and,
FIG. 7 is a bottom plan view thereof.
The broken line shown form no part of the claimed design.

1 Claim, 4 Drawing Sheets

(56) **References Cited**

U.S. PATENT DOCUMENTS

D457,586 S *	5/2002	Tang	D21/759
D461,515 S *	8/2002	Tang	D21/742
D472,594 S *	4/2003	Tang	D21/735
D472,595 S *	4/2003	Tang	D21/735
D483,824 S *	12/2003	Tang	D21/738
D485,323 S *	1/2004	Wagner	D21/744
D506,237 S *	6/2005	Byrne	D21/759
7,147,569 B2 *	12/2006	Tang	A63B 53/0487 473/249
7,166,036 B2 *	1/2007	Byrne	A63B 53/0487 473/242



(56)

References Cited

U.S. PATENT DOCUMENTS

D860,350 S * 9/2019 Rollinson D21/742
2002/0123393 A1 * 9/2002 Tang A63B 53/04
473/340

* cited by examiner

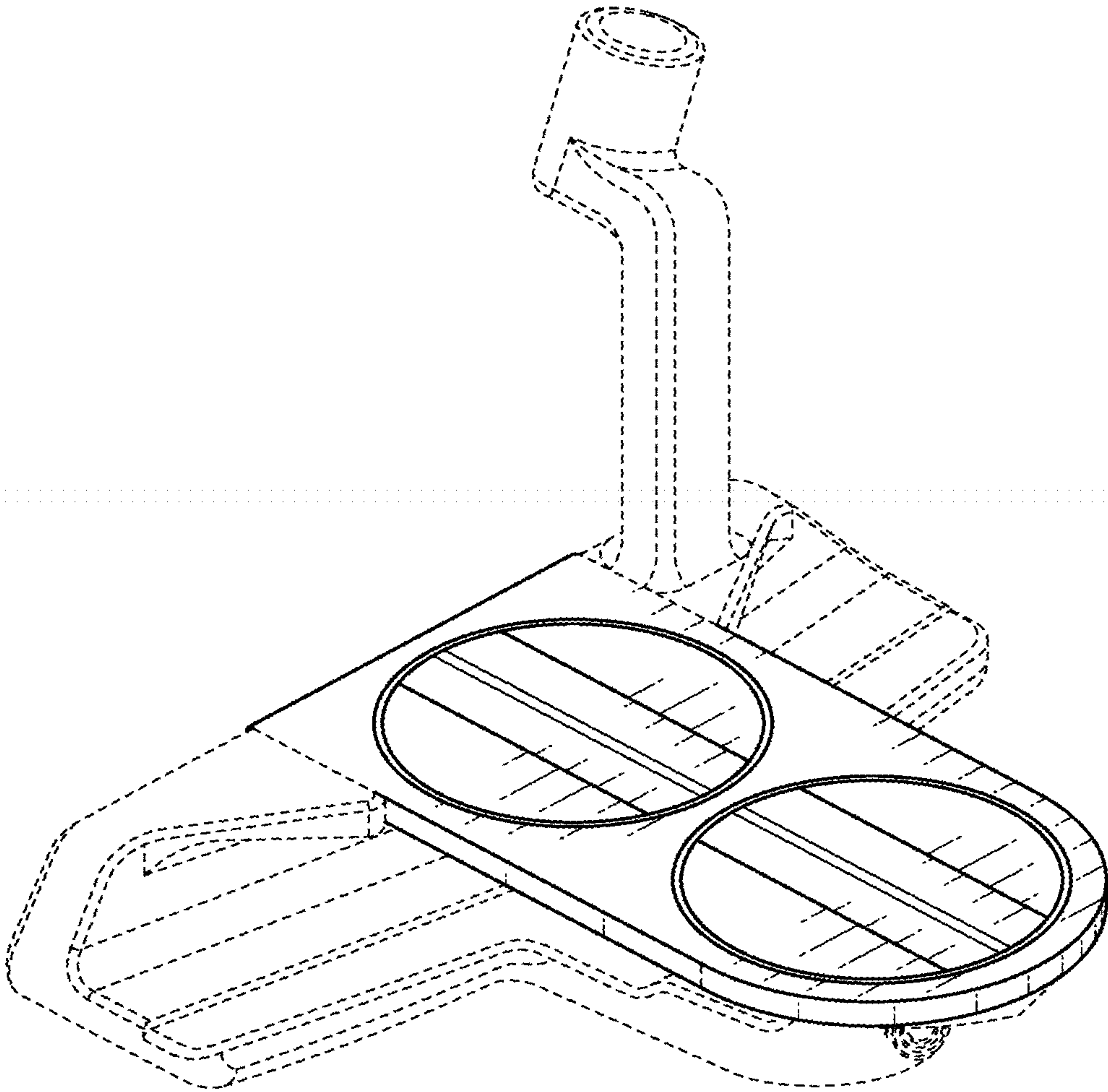


FIG. 1

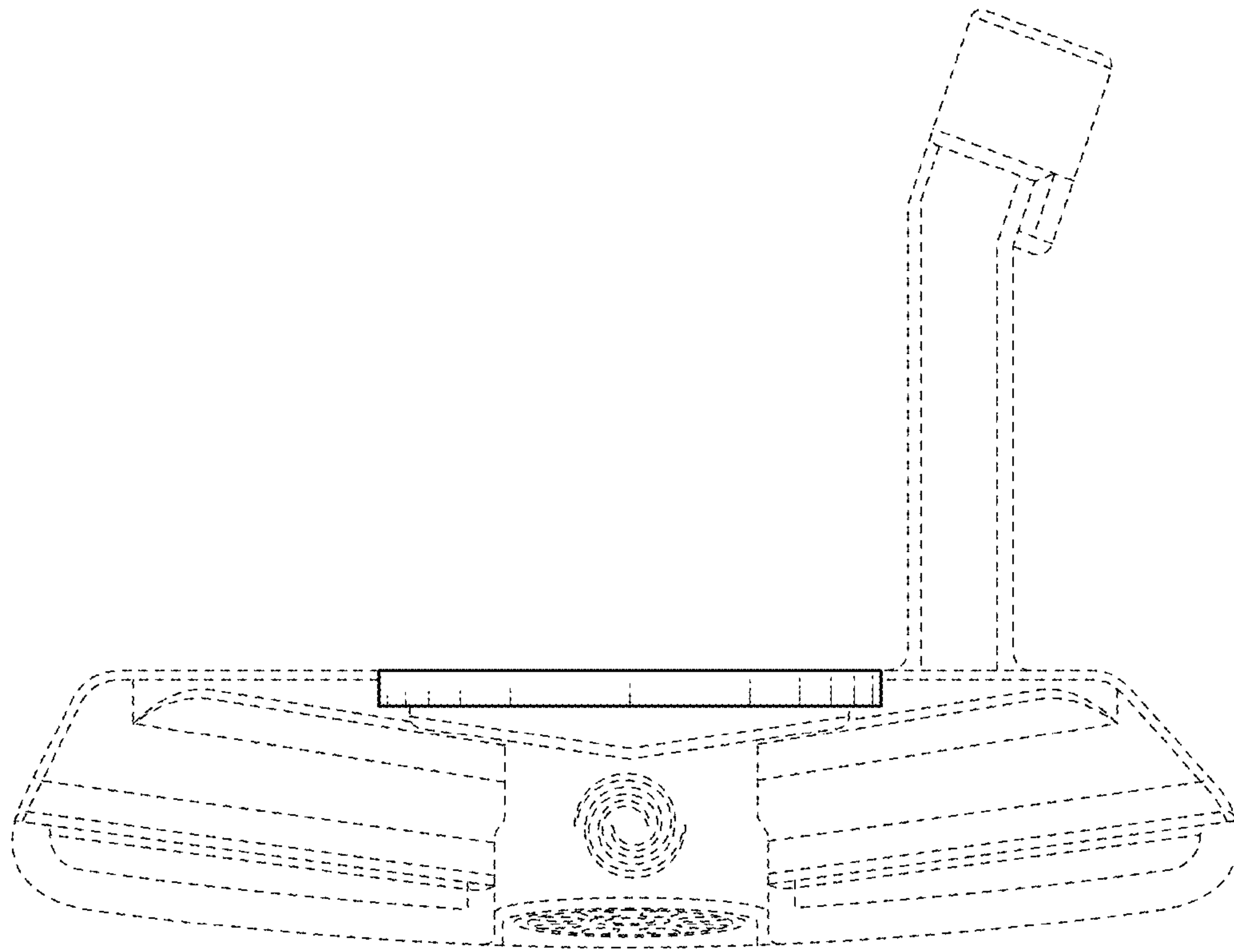


FIG. 2

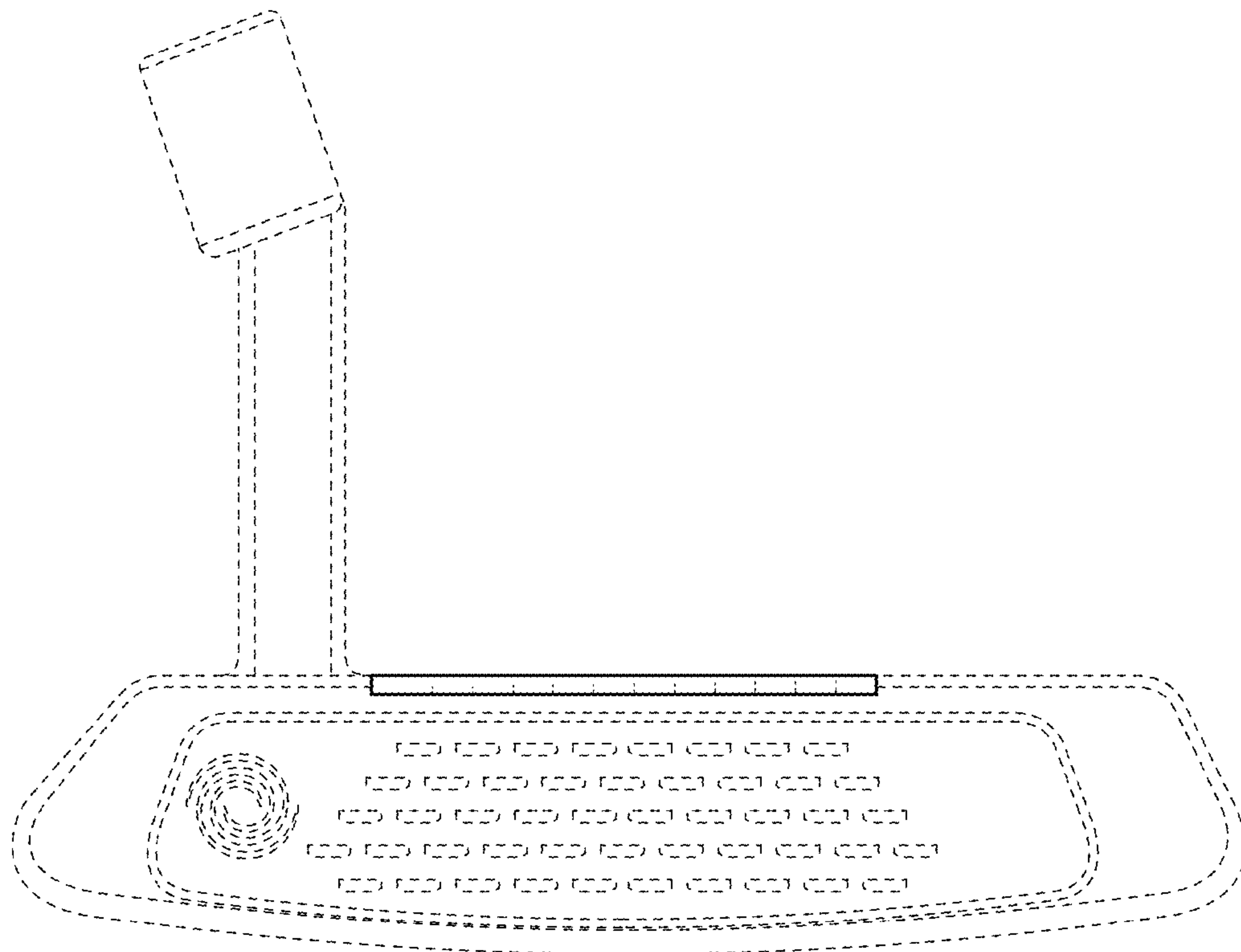


FIG. 3

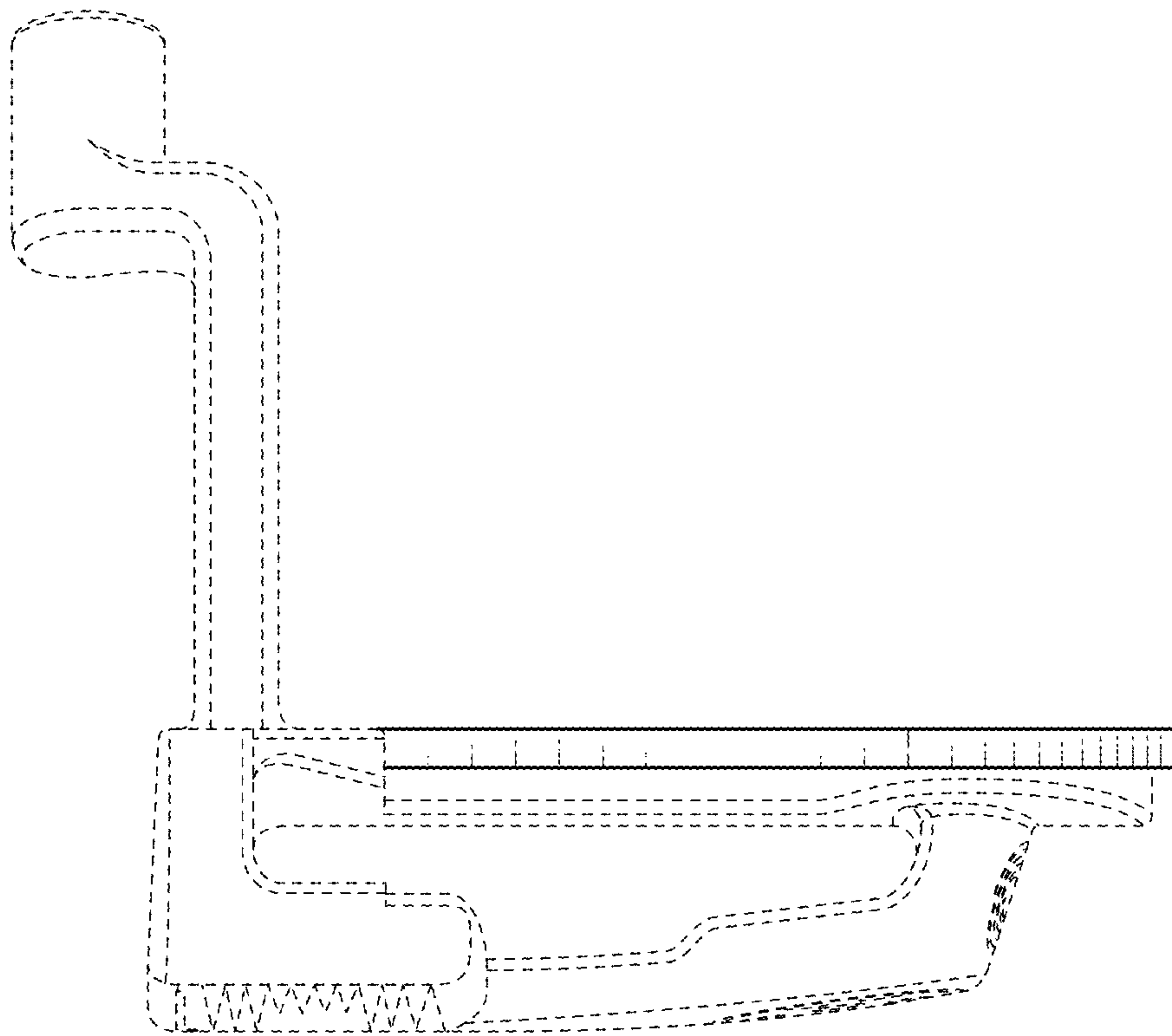


FIG. 4

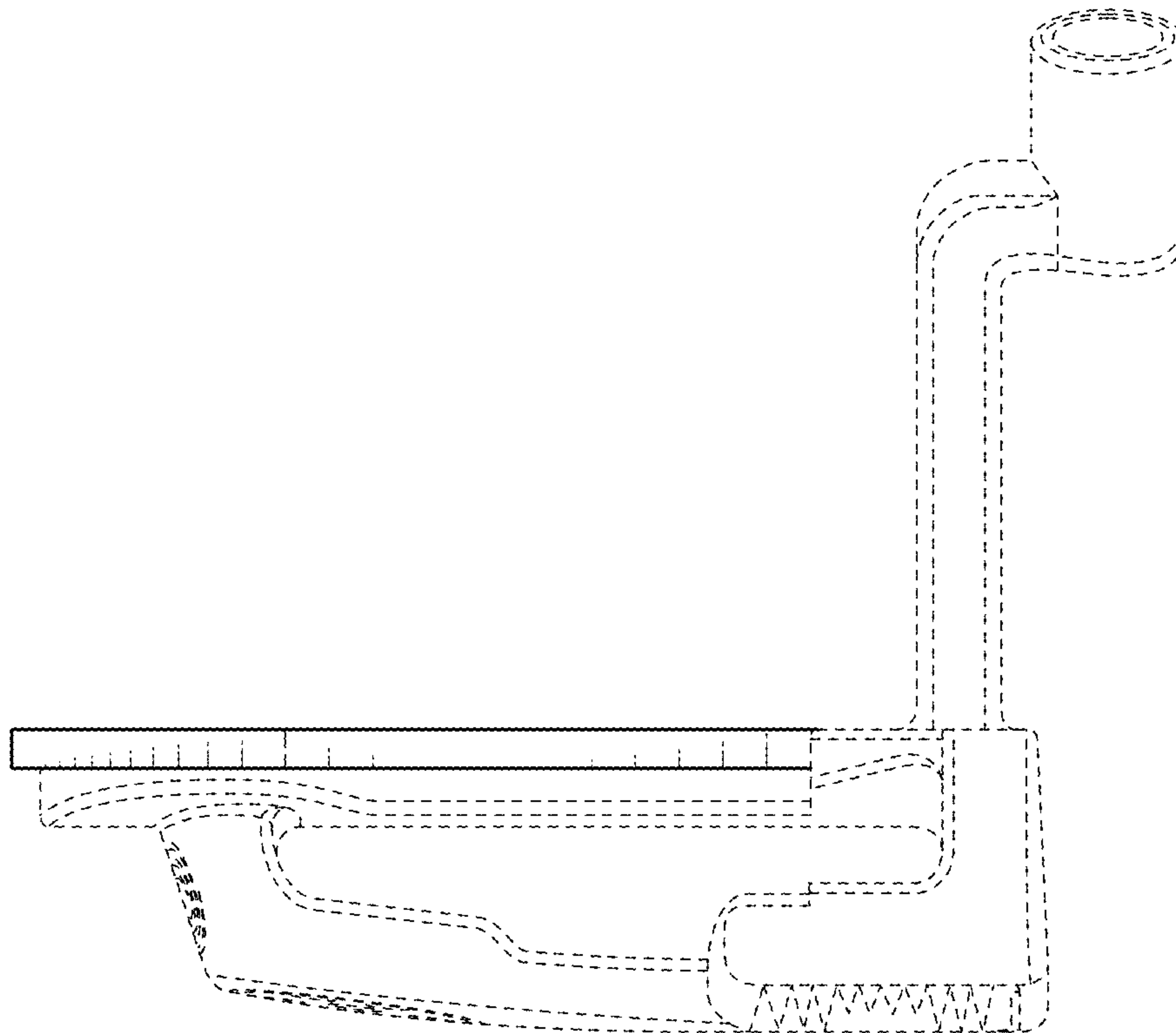


FIG. 5

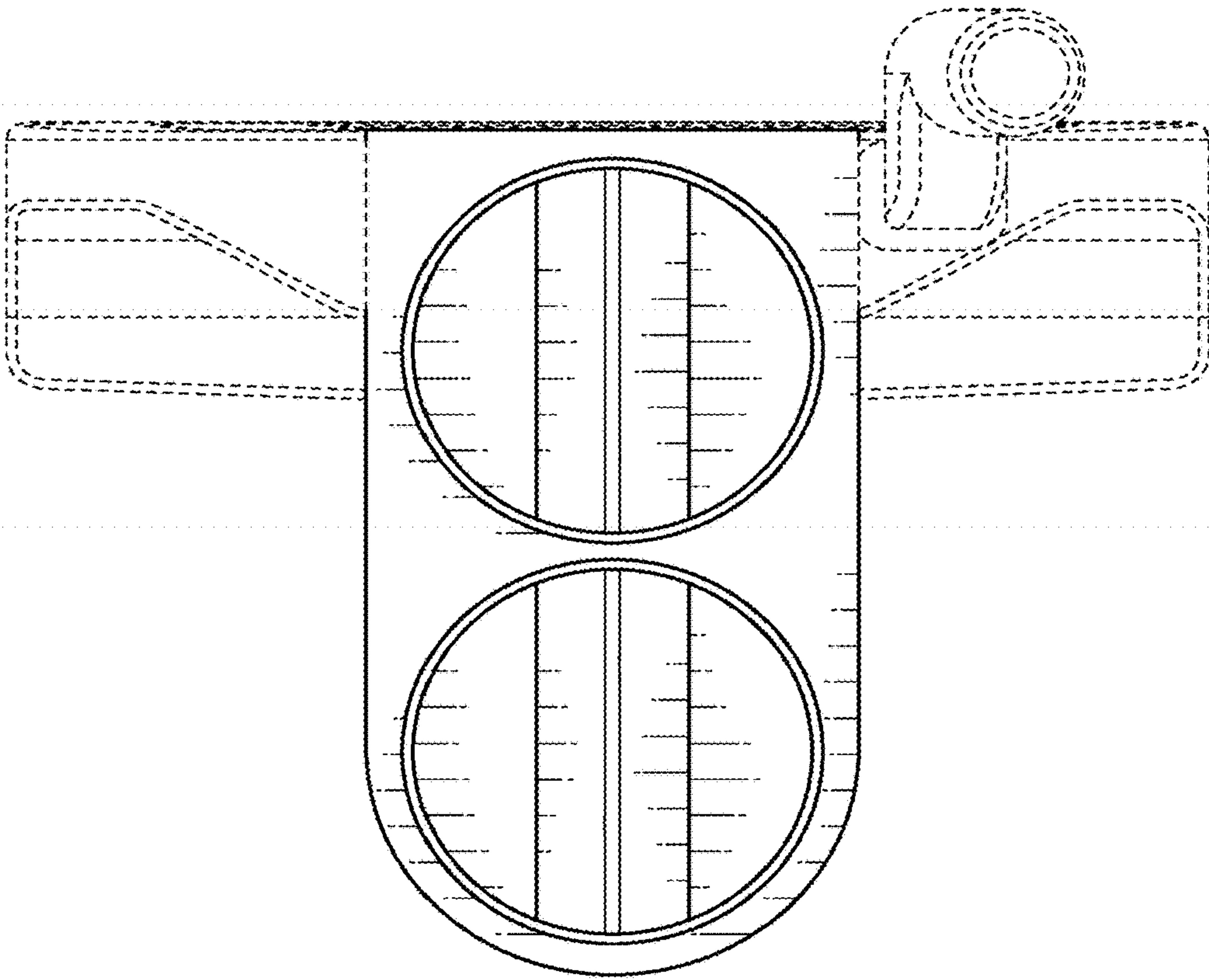


FIG. 6

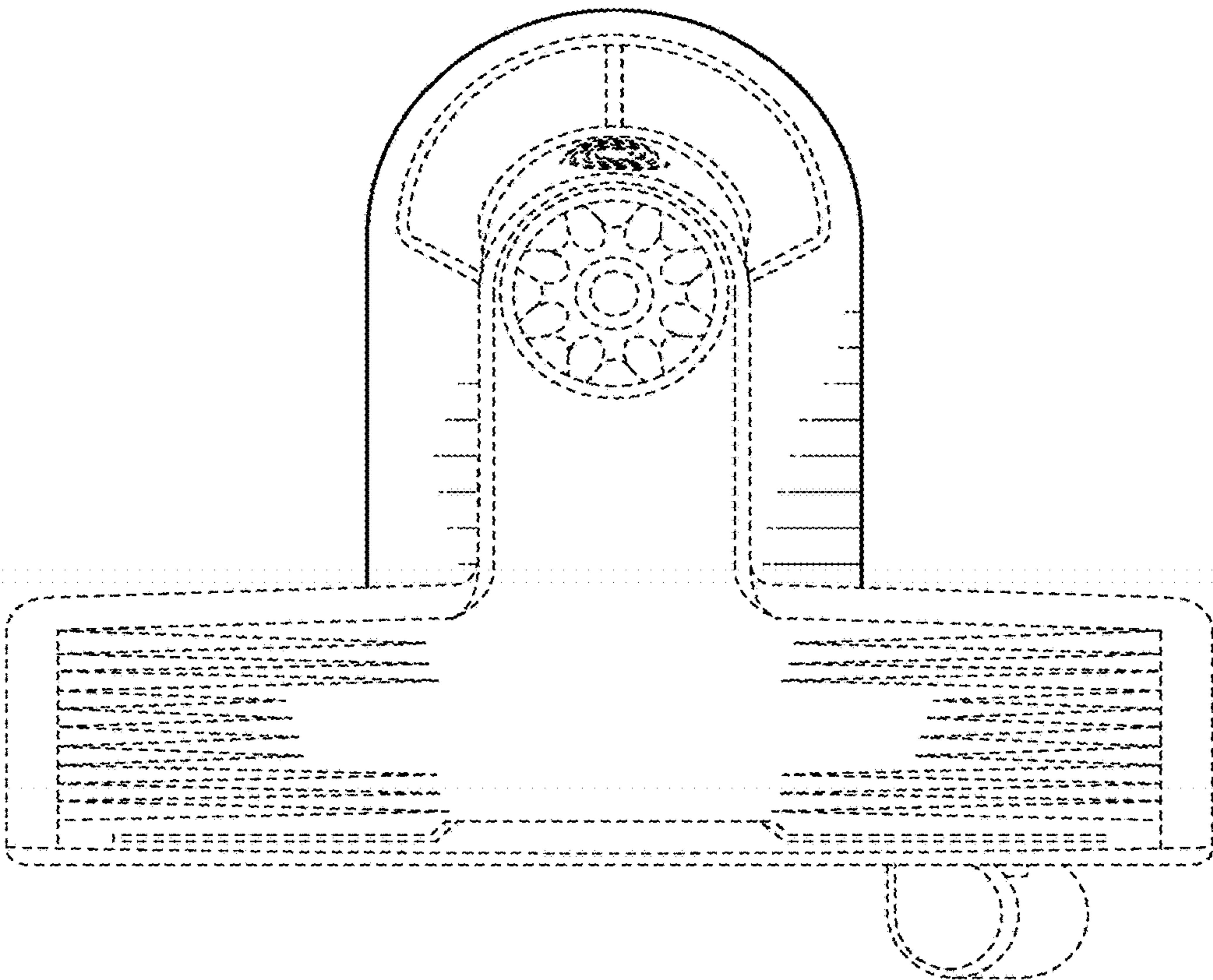


FIG. 7