



US00D908826S

(12) **United States Design Patent**
Clarke et al.

(10) **Patent No.: US D908,826 S**

(45) **Date of Patent: ** Jan. 26, 2021**

(54) **GOLF CLUB HEAD**

(71) Applicant: **KARSTEN MANUFACTURING CORPORATION**, Phoenix, AZ (US)

(72) Inventors: **Jacob T. Clarke**, Phoenix, AZ (US);
David A. Higdon, Cave Creek, AZ (US)

(73) Assignee: **Karsten Manufacturing Corporation**, Phoenix, AZ (US)

(**) Term: **15 Years**

(21) Appl. No.: **29/695,799**

(22) Filed: **Jun. 21, 2019**

(51) **LOC (13) Cl.** **21-02**

(52) **U.S. Cl.**
USPC **D21/736**

(58) **Field of Classification Search**
USPC D21/736-746, 759
CPC A63B 53/00; A63B 53/04; A63B 53/007;
A63B 53/065; A63B 53/0487; A63B
60/00; A63B 60/46
See application file for complete search history.

(56) **References Cited**

U.S. PATENT DOCUMENTS

1,960,110	A *	5/1934	Iles	A63B 47/02 473/286
3,708,172	A *	1/1973	Rango	A63B 47/008 473/249
D257,869	S *	1/1981	MacDougall	D21/739
D268,691	S *	4/1983	Collins	D21/739
D316,129	S *	4/1991	Bryson	D21/739

(Continued)

FOREIGN PATENT DOCUMENTS

CN	205055352	3/2016
EM	0026795220001	7/2015

(Continued)

OTHER PUBLICATIONS

Golf Club Puller Right Handed Clubs 33/34/35 inch Above the Green to Take the Ball Unique New Functionality, AliExpress, Accessed on Apr. 11, 2017; <<https://www.aliexpress.com/item/Unique-newest-functionality-golf-clubs-utter-right-handed-clubs-33-34-35inch-Above-the-green-to/32754733509.html>>.

(Continued)

Primary Examiner — Mitchell I. Siegel

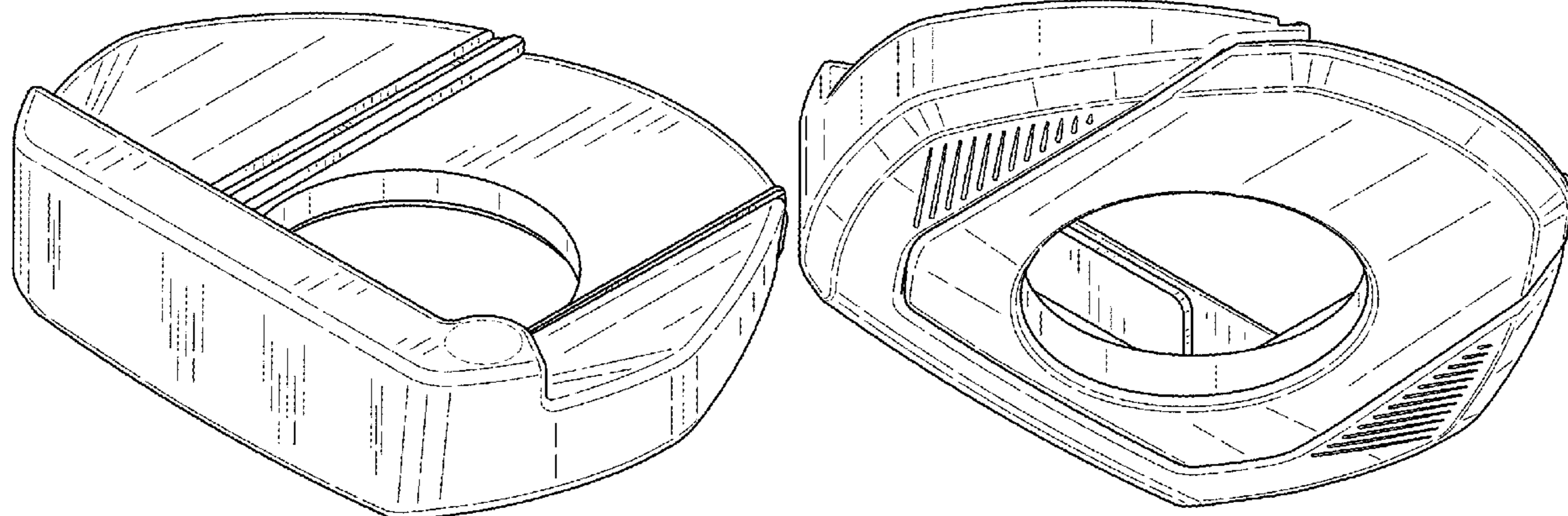
(57) **CLAIM**

The ornamental design for a golf club head, as shown and described.

DESCRIPTION

FIG. 1 is a top perspective view of a golf club head; FIG. 2 is a bottom perspective view of the golf club head of FIG. 1; FIG. 3 is a top view of the golf club head of FIG. 1; FIG. 4 is a bottom view of the golf club head of FIG. 1; FIG. 5 is a front view of the golf club head of FIG. 1; FIG. 6 is a rear view of the golf club head of FIG. 1; FIG. 7 is a toe side view of the golf club head of FIG. 1; FIG. 8 is a heel side view of the golf club head of FIG. 1; FIG. 9 is a top perspective view of another embodiment of a golf club head; FIG. 10 is a bottom perspective view of the golf club head of FIG. 9; FIG. 11 is a top view of the golf club head of FIG. 9; FIG. 12 is a bottom view of the golf club head of FIG. 9; FIG. 13 is a front view of the golf club head of FIG. 9; FIG. 14 is a rear view of the golf club head of FIG. 9; FIG. 15 is a toe side view of the golf club head of FIG. 9; and, FIG. 16 is a heel side view of the golf club head of FIG. 9. The broken lines show portions of the golf club head that form no part of the claimed design.

1 Claim, 10 Drawing Sheets



(56)

References Cited

U.S. PATENT DOCUMENTS

D320,251 S * 9/1991 Mermillod D21/739
 D320,638 S * 10/1991 Mermillod D21/739
 5,524,889 A * 6/1996 Rush A63B 53/0487
 473/286
 D380,030 S * 6/1997 Altman D21/739
 D388,853 S * 1/1998 Minami D21/745
 D400,942 S * 11/1998 Billings D21/742
 D402,724 S * 12/1998 Minami D21/743
 D424,145 S * 5/2000 Minami D21/744
 D499,154 S * 11/2004 D'Agguano D21/736
 6,878,072 B1 * 4/2005 Henry A63B 53/0487
 473/286
 7,059,971 B1 * 6/2006 Schmitt A63B 57/353
 473/285
 7,086,959 B2 * 8/2006 D'Agguano A63B 47/02
 473/282
 7,223,178 B2 * 5/2007 Henry A63B 53/0487
 473/252
 D572,325 S * 7/2008 Baer D21/746
 D604,782 S * 11/2009 Franklin D21/736
 D607,950 S * 1/2010 Souza D21/736
 7,922,596 B2 * 4/2011 Vanderbilt A63B 47/008
 473/251
 D643,894 S * 8/2011 Price D21/744
 D645,923 S * 9/2011 Price D21/736
 8,272,976 B2 * 9/2012 DAgostino A63B 53/0466
 473/345
 8,632,415 B1 * 1/2014 Smith A63B 47/04
 473/286

D704,781 S * 5/2014 Pak D21/736
 8,777,775 B2 * 7/2014 Johnson B25G 3/26
 473/341
 D741,965 S * 10/2015 Davis D21/736
 D741,966 S * 10/2015 Davis D21/736
 D741,967 S * 10/2015 Davis D21/736
 D769,996 S * 10/2016 Abbott D21/744
 D774,609 S * 12/2016 Serrano D21/744
 D791,254 S * 7/2017 Ramsauer D21/744
 D794,732 S * 8/2017 Jertson D21/744
 D796,603 S * 9/2017 Serrano D21/744
 D797,872 S * 9/2017 Jertson D21/743
 D847,923 S * 5/2019 Wang D21/736
 D860,352 S * 9/2019 Rollinson D21/743
 D860,353 S * 9/2019 Rollinson D21/743
 D860,355 S * 9/2019 Wang D21/744

FOREIGN PATENT DOCUMENTS

GB	2213737	8/1989
JP	D1437323	4/2012
KR	20140147640	12/2014

OTHER PUBLICATIONS

2016 New Golf Club Putter Men's Gold/Silver 33/34/35 inch Can Pick Up the Ball, AliExpress, Accessed on Apr. 11, 2017; <<https://www.aliexpress.com/item/2016-new-Golf-Club-putter-men-s-golf-silver-33-34-35inch-can-pick-up-the/32744664186.html>>.

* cited by examiner

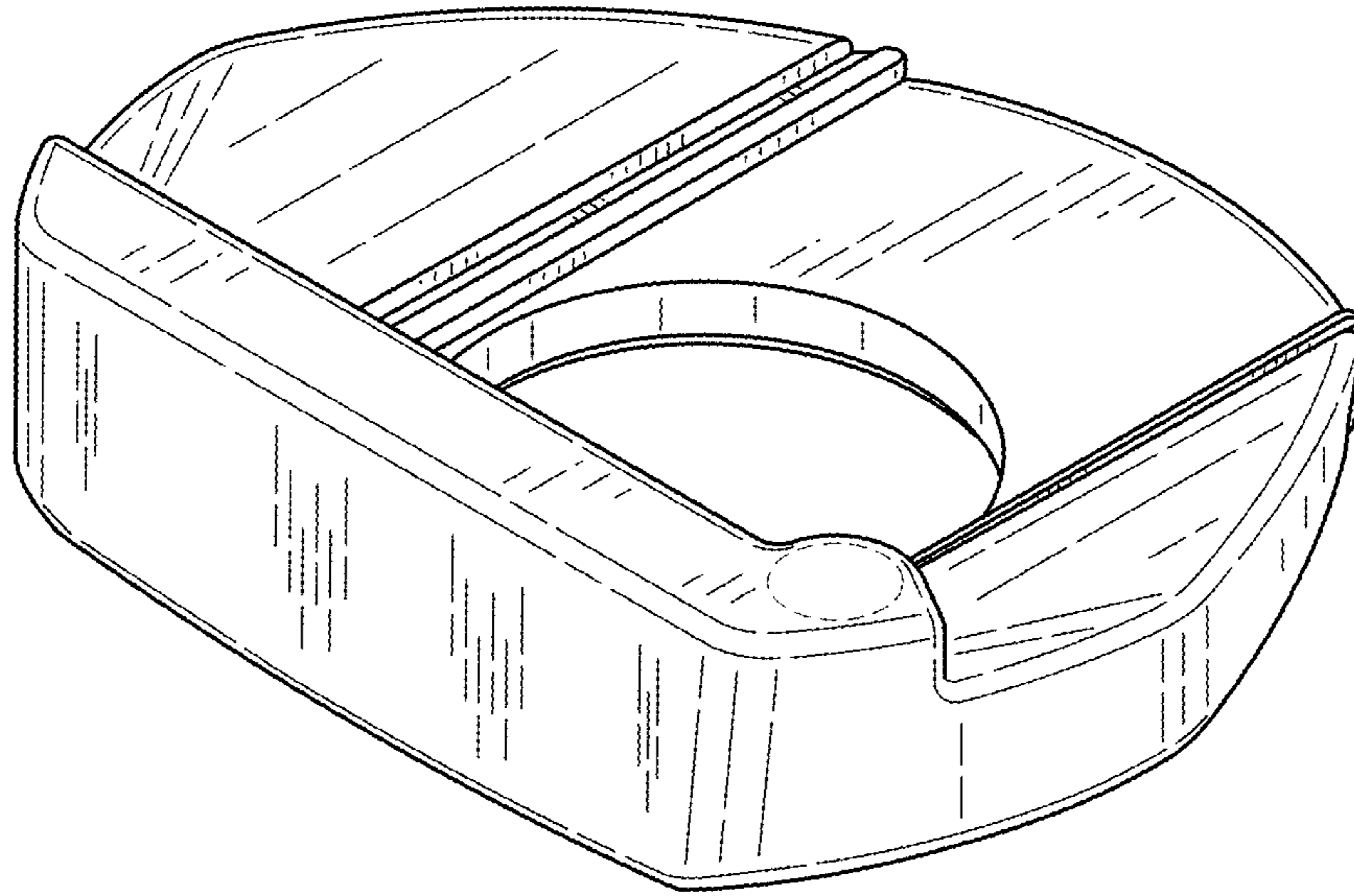


FIG.1

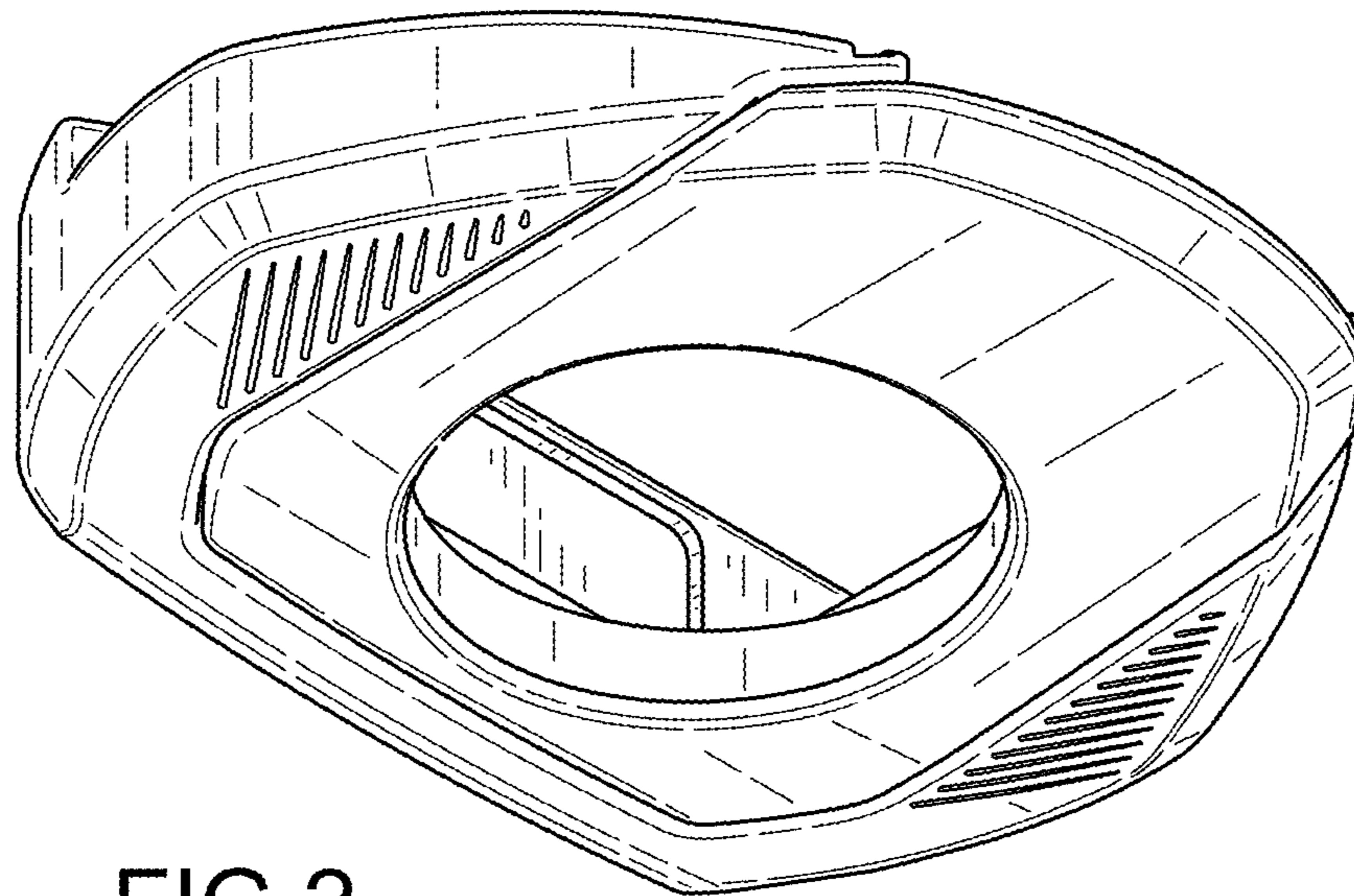


FIG.2

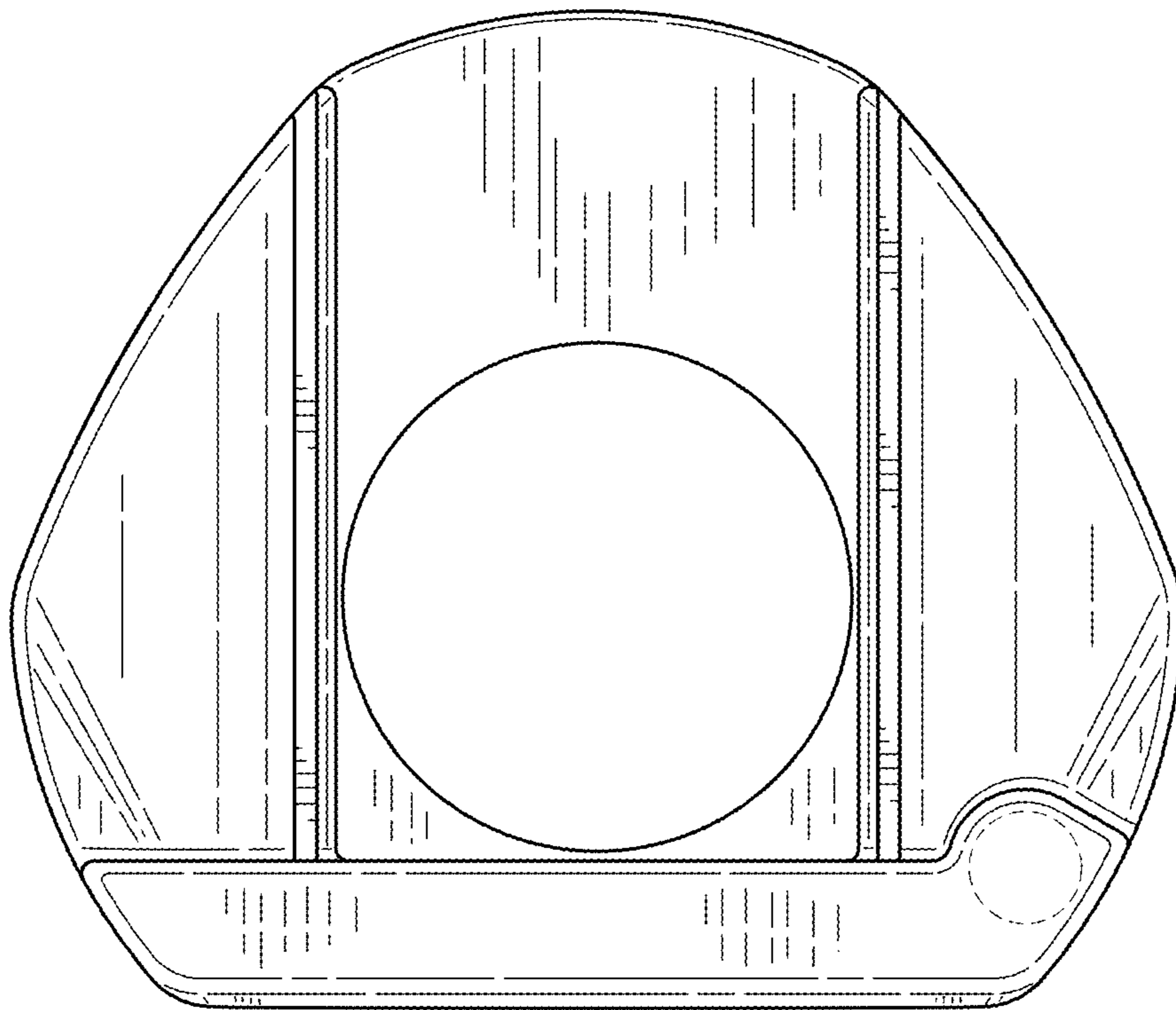


FIG.3

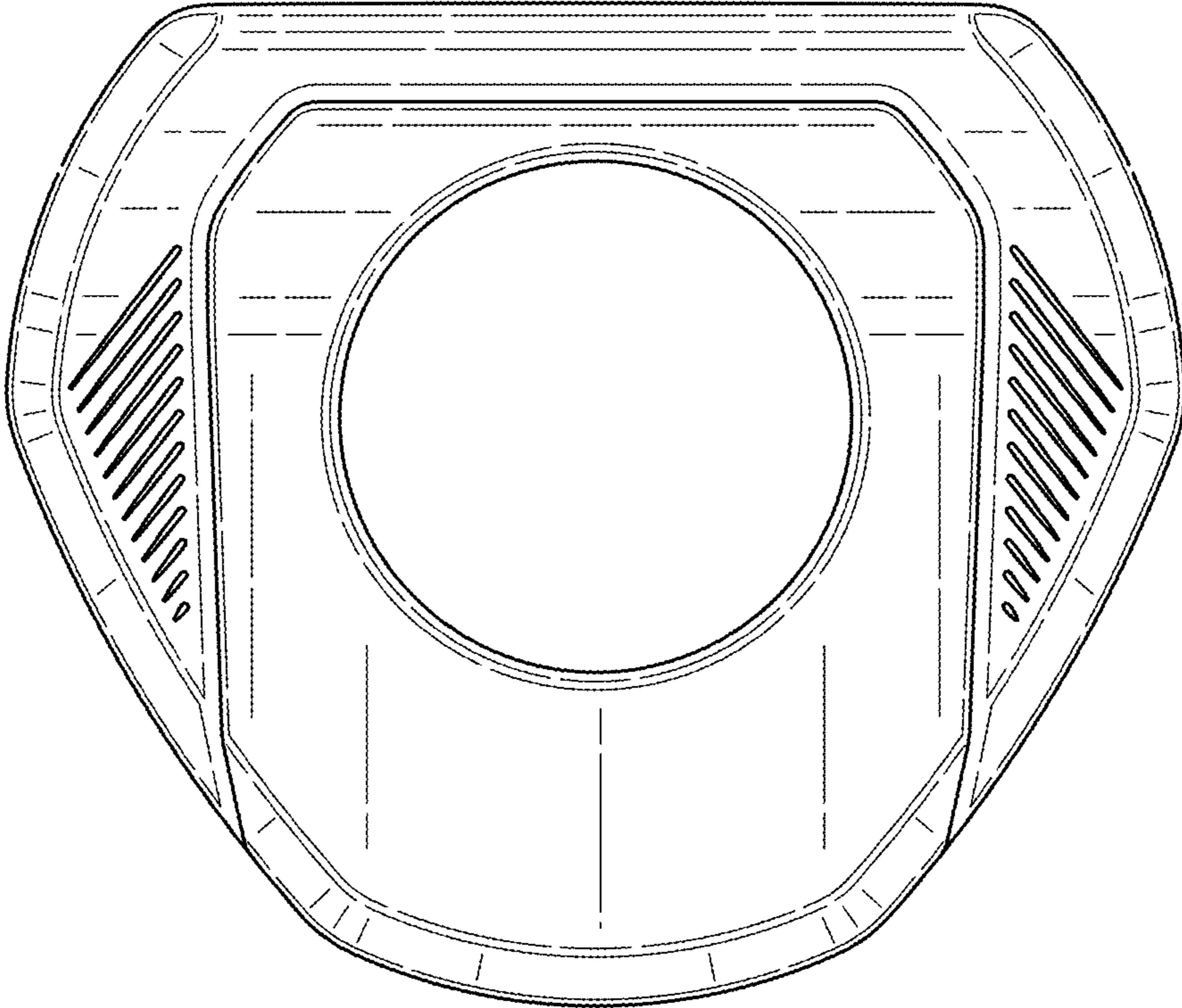


FIG.4

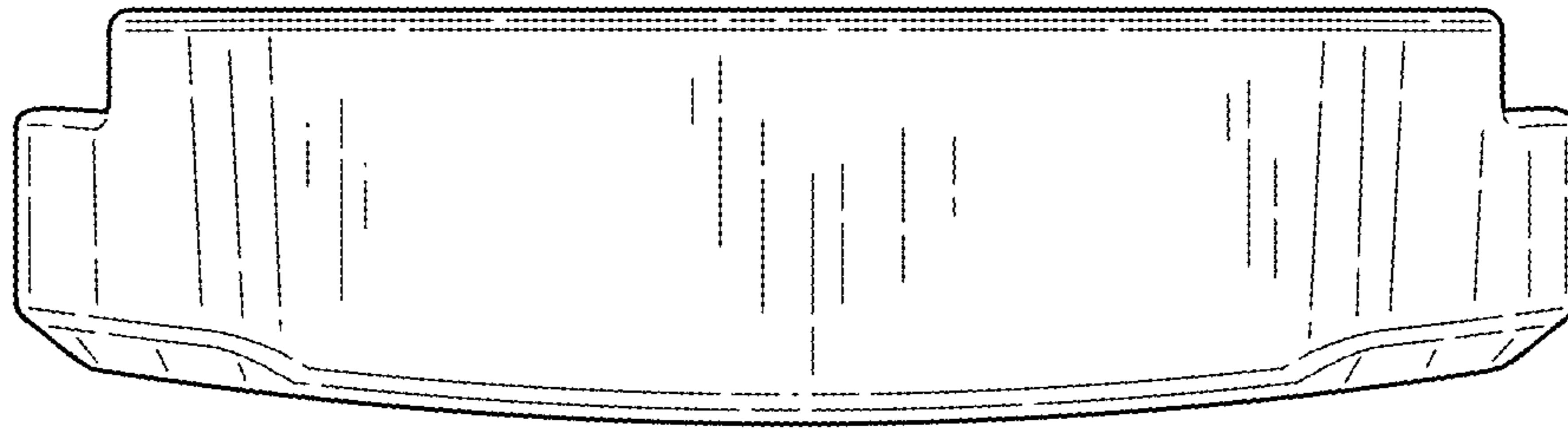


FIG.5

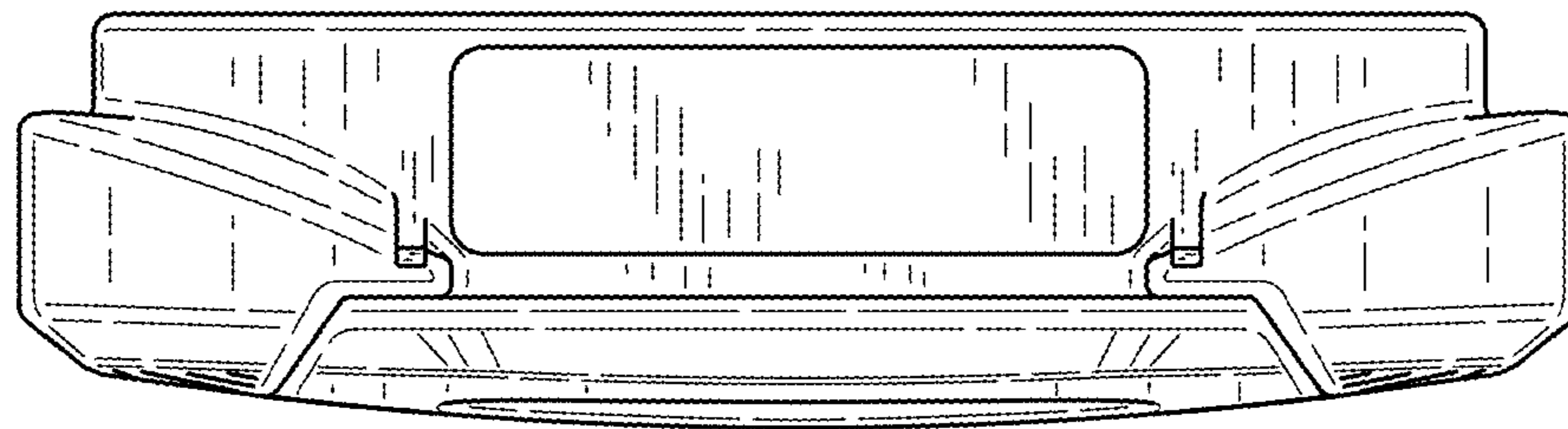


FIG.6

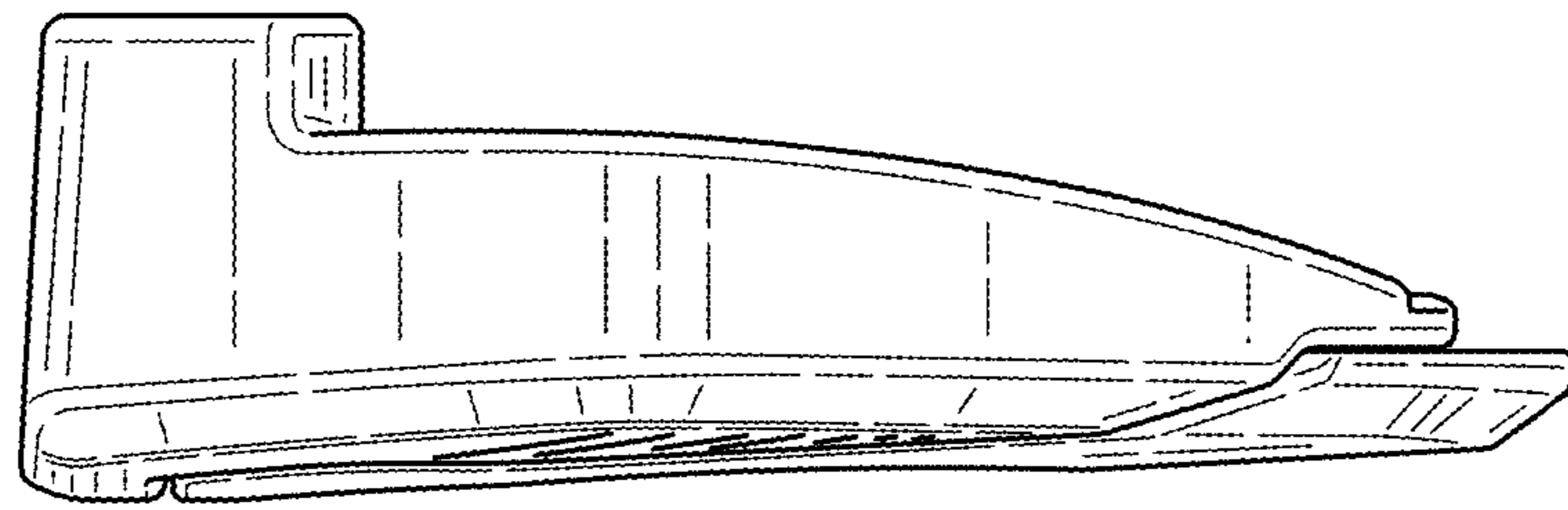


FIG. 7

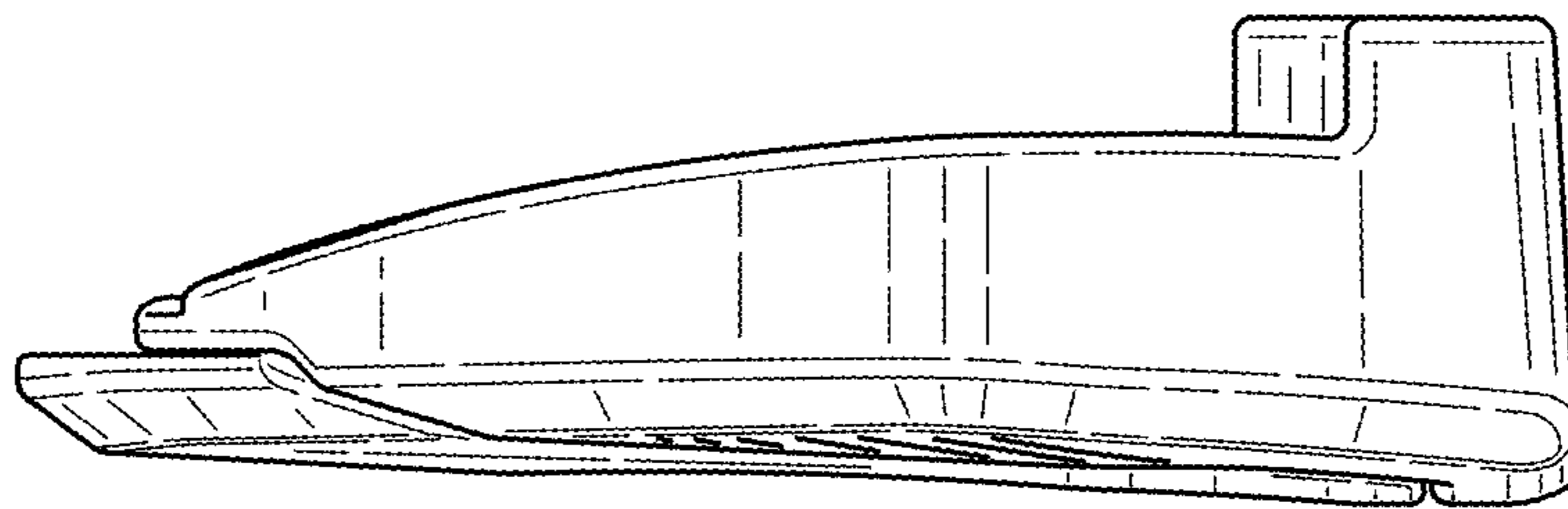


FIG. 8

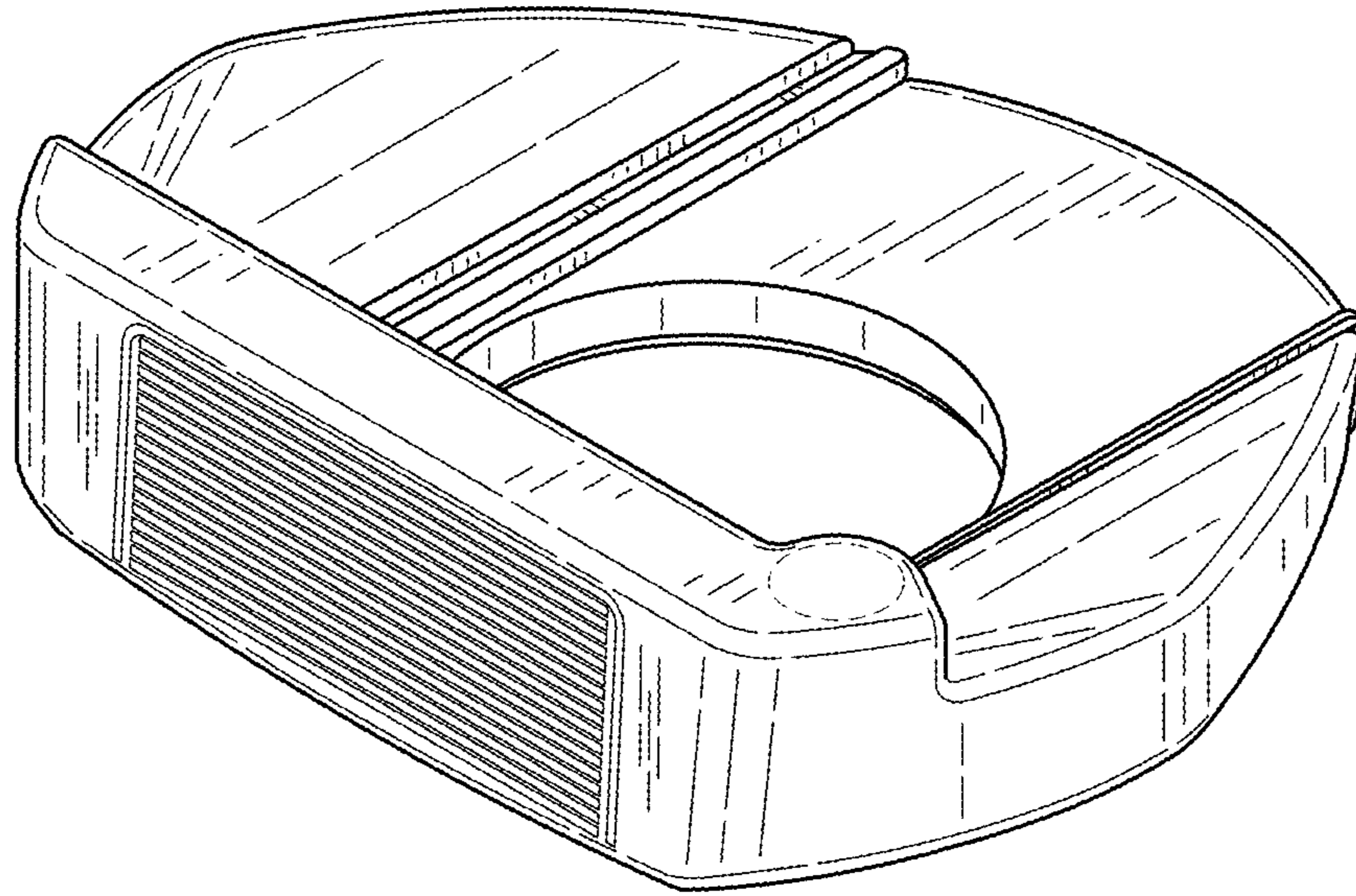


FIG. 9

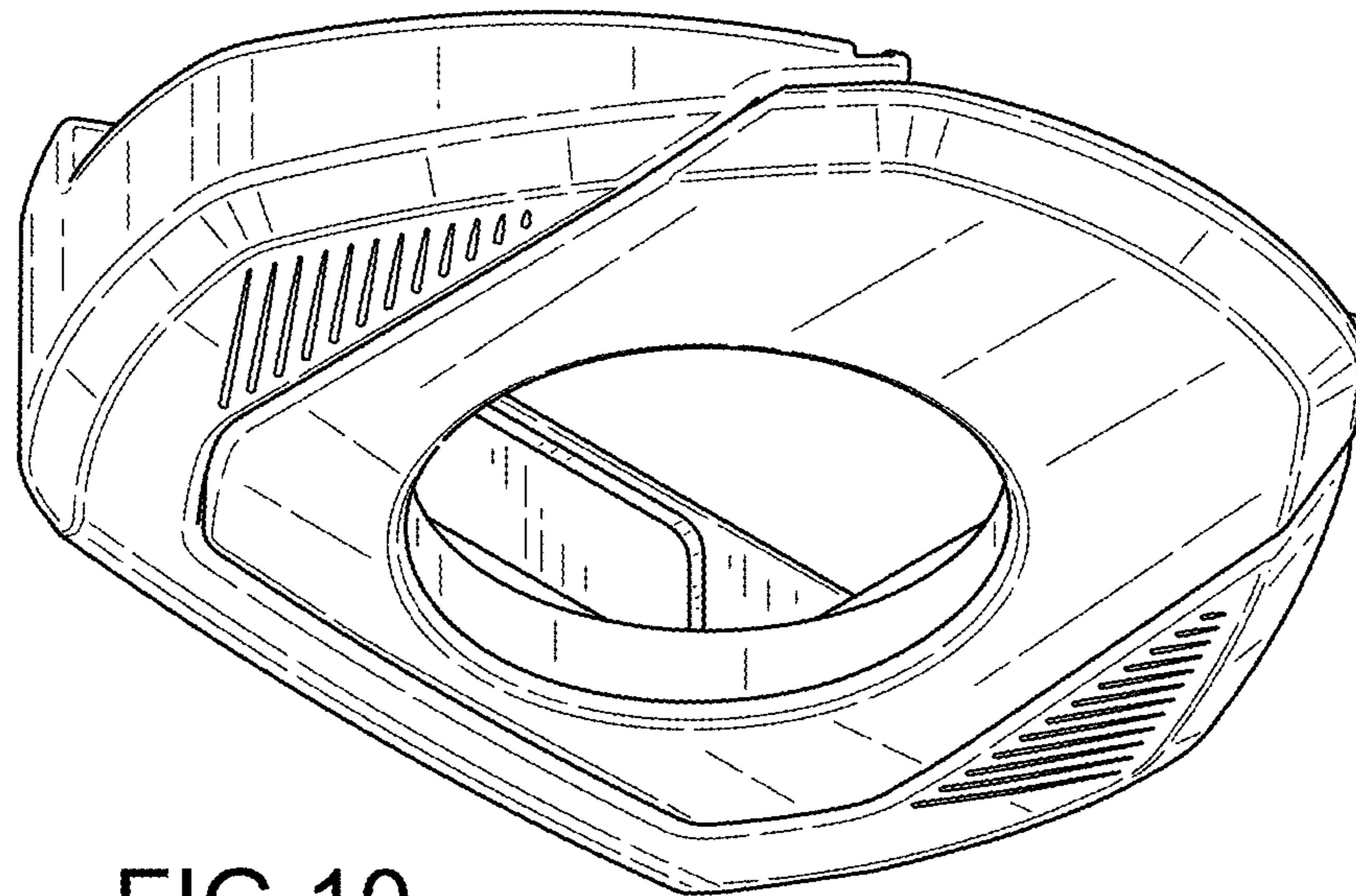


FIG. 10

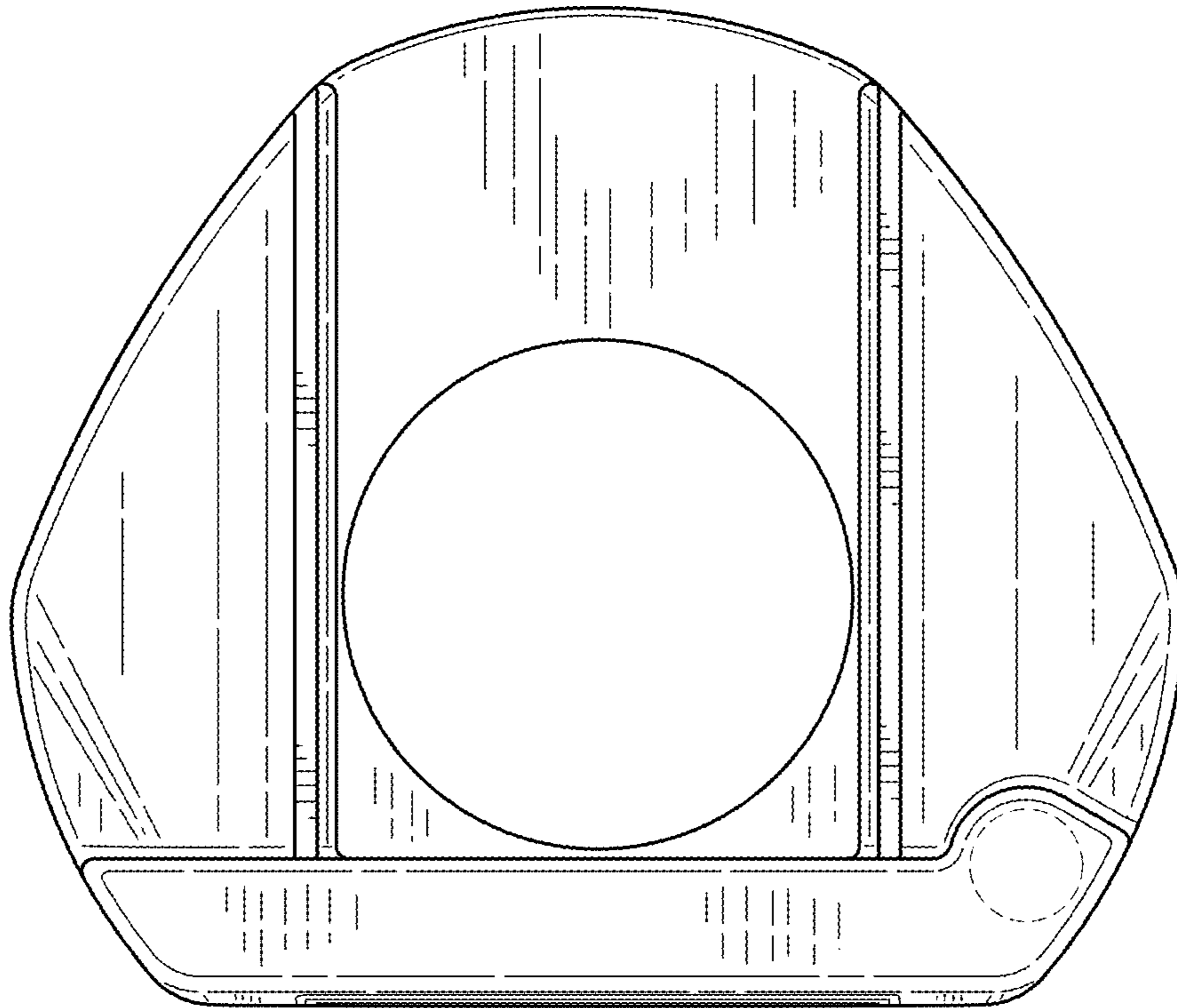


FIG.11

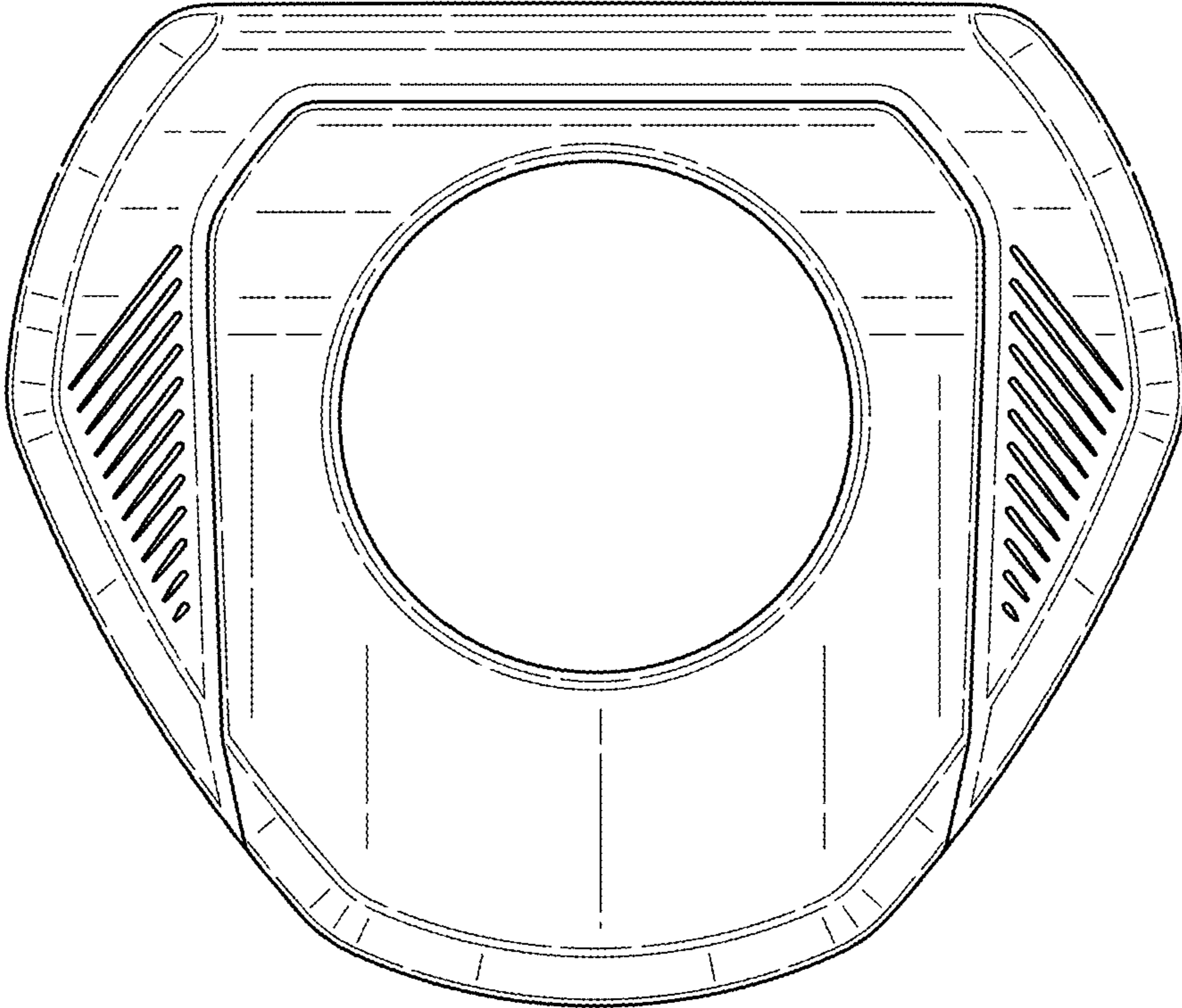


FIG.12

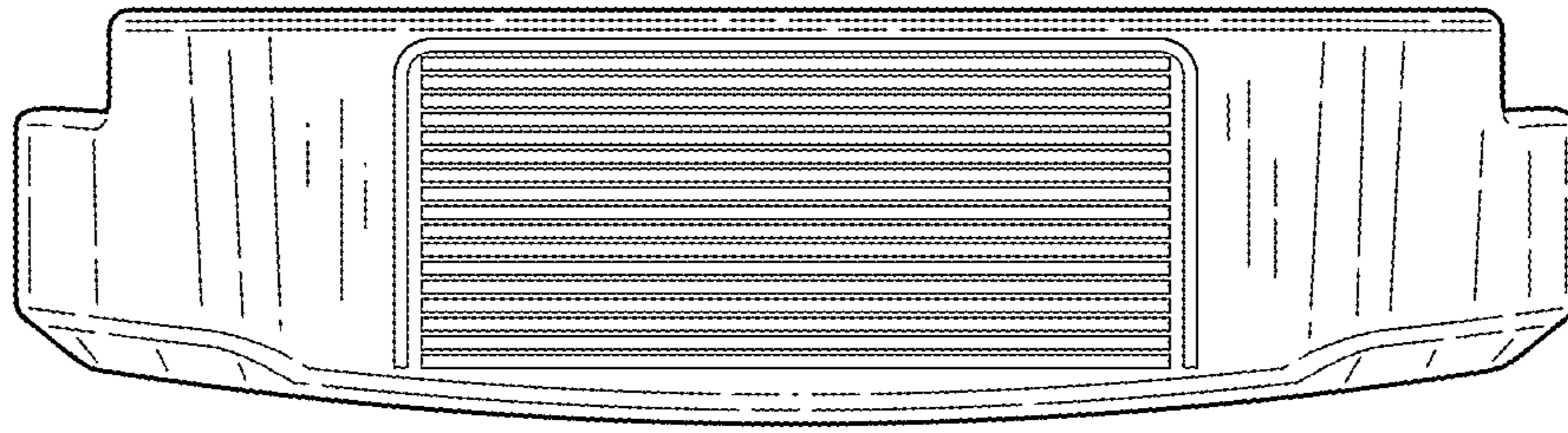


FIG.13

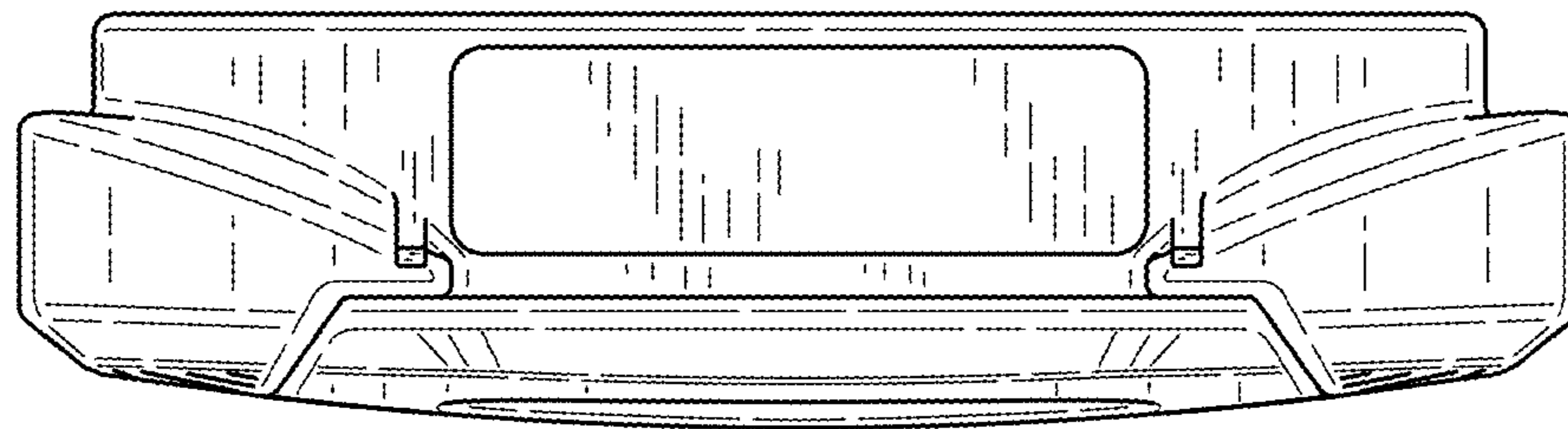


FIG.14

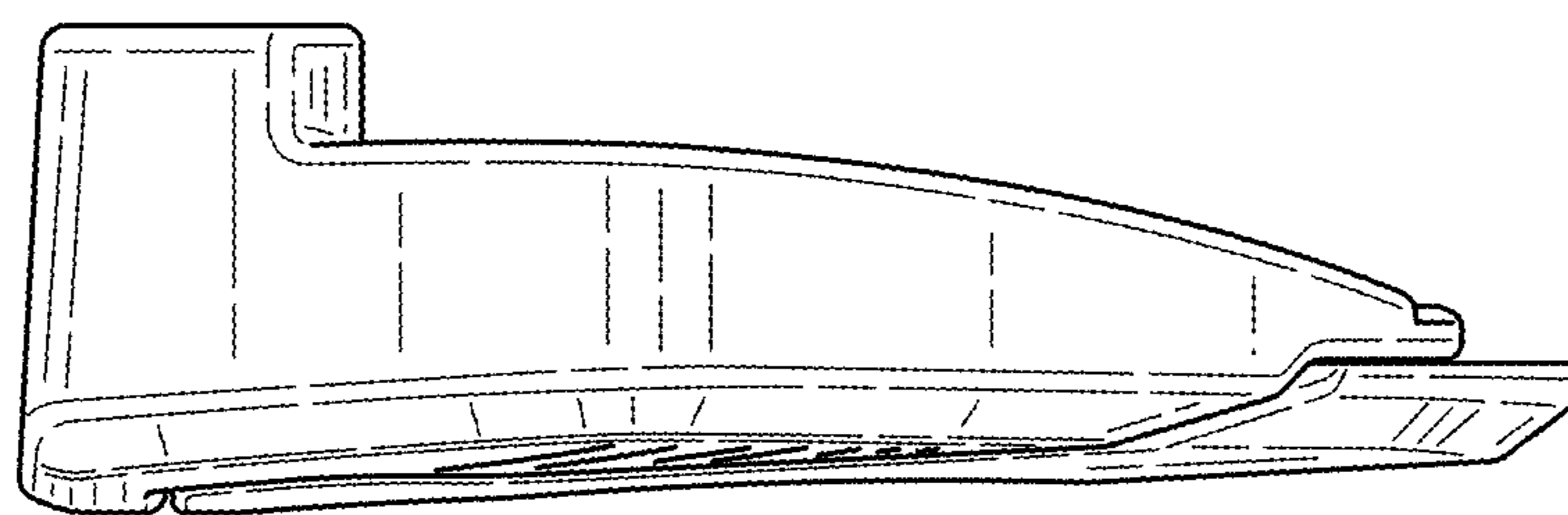


FIG.15

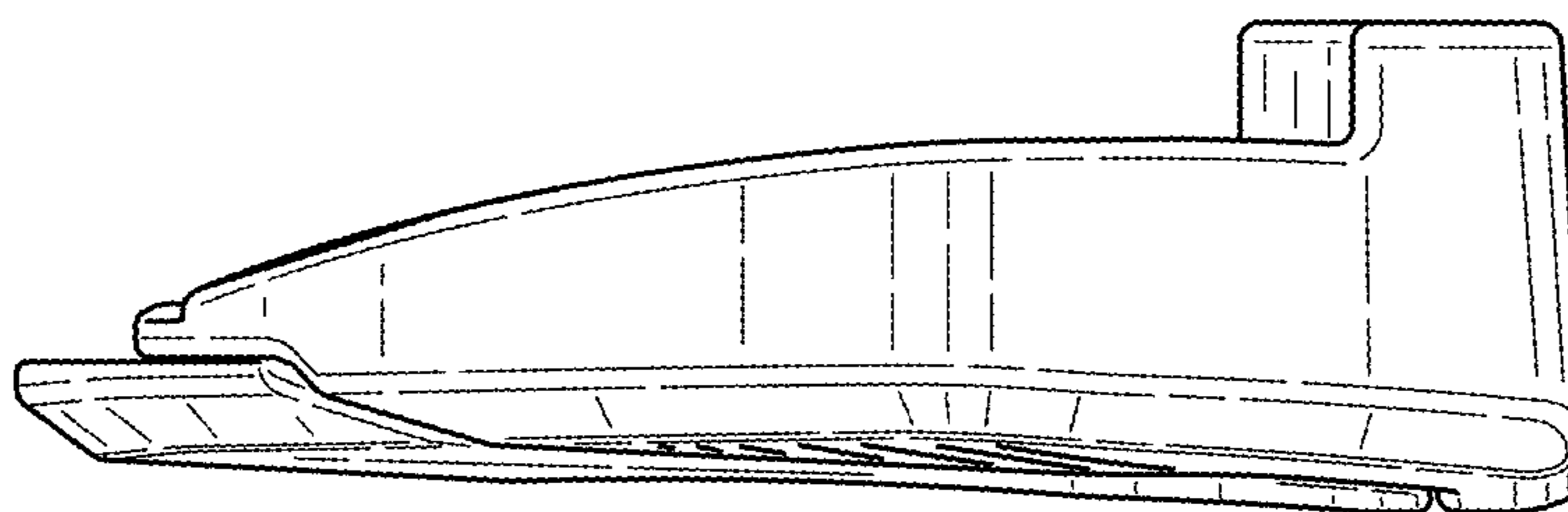


FIG.16