



US00D908823S

(12) **United States Design Patent** (10) **Patent No.:** **US D908,823 S**
Scott (45) **Date of Patent:** **** Jan. 26, 2021**

(54) **WEIGHT RACK ATTACHMENT**
(71) Applicant: **Coulter Ventures, LLC.**, Columbus, OH (US)
(72) Inventor: **Austin Scott**, Westerville, OH (US)
(73) Assignee: **Coulter Ventures, LLC.**, Columbus, OH (US)

4,753,438 A 6/1988 Paris et al.
D298,959 S 12/1988 DeGalvez
D300,157 S 3/1989 Yates
4,923,194 A 5/1990 Montgomery
D320,823 S 10/1991 Tanner
D320,824 S 10/1991 Cordon
5,082,260 A 1/1992 Dinelli
(Continued)

(**) Term: **15 Years**
(21) Appl. No.: **29/690,197**
(22) Filed: **May 6, 2019**

(51) **LOC (13) Cl.** **21-02**
(52) **U.S. Cl.**
USPC **D21/694; D21/686**
(58) **Field of Classification Search**
USPC D21/694, 686, 676, 673, 690, 681, 680,
D21/682, 688, 663, 679, 691, 674;
482/131, 38, 142, 130, 94, 145, 108, 104,
482/129, 120, 98; D12/203, 130, 406;
D24/188; D8/330; D6/536, 553
CPC A63B 21/0628; A63B 21/4035; A63B
21/078; A63B 21/075; A63B 21/063;
A63B 21/0728; A63B 21/072; A63B
23/1218; A63B 23/1209; A63B 23/12;
A63B 21/0783; A63B 21/4017
See application file for complete search history.

(56) **References Cited**
U.S. PATENT DOCUMENTS
2,673,737 A 3/1954 Daniels
3,006,643 A 10/1961 Ryan
D212,193 S 9/1968 Rudy
3,857,561 A 12/1974 Cecchetti et al.
D265,575 S 7/1982 Lunford
4,369,966 A 1/1983 Silberman et al.
4,461,287 A 7/1984 Takahashi
D280,922 S 10/1985 Sieder
4,638,995 A 1/1987 Wilson
4,666,154 A 5/1987 Lipscomb et al.

OTHER PUBLICATIONS

Monster Lite Hip Thruster Bench by Rogue dated Feb. 1, 2020.
Found online [Sep. 1, 2020] <https://www.roguefitness.com/monster-lite-hip-thruster-bench?bvstate=pg:2/ct:r> (Year 2020).
(Continued)

Primary Examiner — Ryan Harvey
(74) *Attorney, Agent, or Firm* — Banner & Witcoff, Ltd.

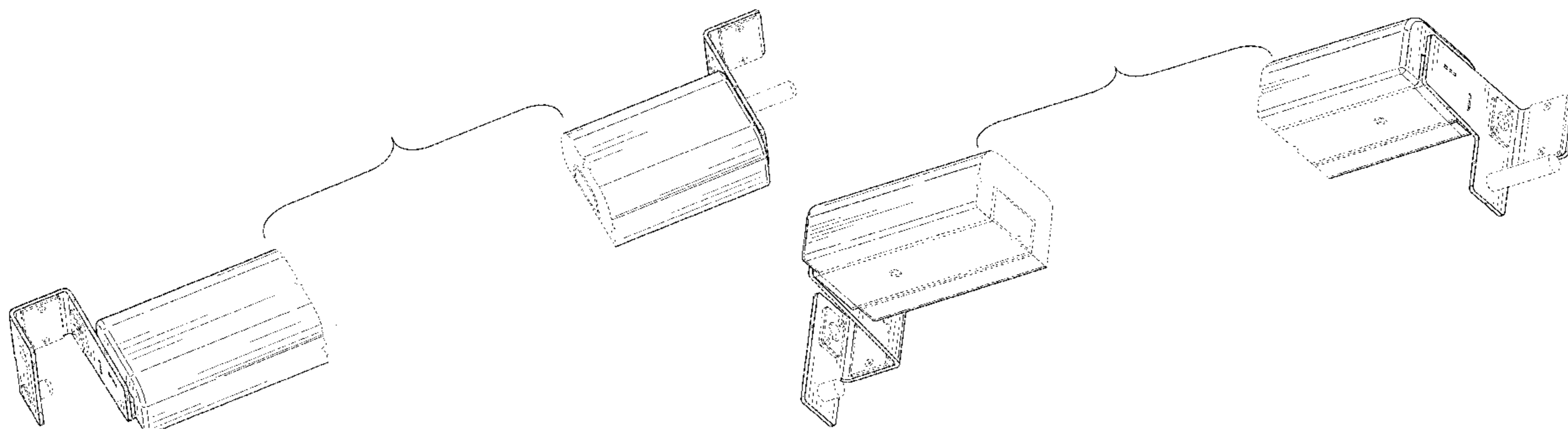
(57) **CLAIM**

The ornamental design for a weight rack attachment, as shown and described.

DESCRIPTION

FIG. 1 is a top, front, left perspective view of a weight rack attachment showing my new design;
FIG. 2 is a front view thereof;
FIG. 3 is a rear view thereof;
FIG. 4 is a left side view thereof;
FIG. 5 is a right side view thereof;
FIG. 6 is a top view thereof;
FIG. 7 is a bottom view thereof; and,
FIG. 8 is a bottom, front, right perspective view thereof.
The broken lines immediately adjacent to the shaded area define the bounds of the claimed design and form no part thereof. The broken lines depicting the remainder of the equipment show features that form no part of the claimed design.
The claimed design is shown with a symbolic break in its length. The appearance of any portion of the article between the break lines forms no part of the claimed design.

1 Claim, 5 Drawing Sheets



(56)

References Cited

U.S. PATENT DOCUMENTS

D324,708	S	3/1992	Walsh	
5,221,246	A	6/1993	Torii	
5,290,213	A	3/1994	Sheikowitz	
5,306,220	A	4/1994	Kearney	
5,755,823	A	5/1998	Cleary	
5,876,311	A	3/1999	Coates et al.	
6,129,651	A	10/2000	Denaro	
6,220,988	B1 *	4/2001	Williams	A63B 23/12 482/108
6,422,982	B1	7/2002	Retel	
6,685,601	B1	2/2004	Knapp	
6,692,417	B2	2/2004	Burrell	
D503,757	S	4/2005	Sjurdagardi	
7,125,371	B2	10/2006	Henderson	
7,144,353	B2	12/2006	Sjuragari	
D554,209	S	10/2007	Loucks	
7,338,416	B2	3/2008	Smith	
7,534,200	B1	5/2009	Martinez	
7,651,449	B1	1/2010	Balentine	
7,662,067	B2	2/2010	Payne	
D613,804	S	4/2010	Perez	
7,699,756	B2	4/2010	Piane, Jr.	
D617,400	S	6/2010	Hetzel et al.	
7,731,631	B2	6/2010	Collias	
7,815,555	B2	10/2010	Webber et al.	
D629,472	S *	12/2010	Rhodes	D21/686
D633,962	S	3/2011	Stacey	
8,021,273	B2	9/2011	Kopp	
8,079,915	B2	12/2011	Spencer et al.	
D666,259	S	8/2012	Garcia	
D686,287	S	7/2013	Boatwright	
D734,410	S *	7/2015	Childs	D21/686
9,095,742	B2	8/2015	Henniger et al.	
D752,161	S	3/2016	Wartenbergh	
9,295,871	B2	3/2016	Luedeka	
9,327,153	B2	5/2016	Wallisch	
9,517,382	B2	12/2016	Payne	
9,597,539	B2	3/2017	Grider	
D818,547	S *	5/2018	Meredith	D21/686
D849,160	S	5/2019	Lau	
D852,289	S	6/2019	Jones et al.	
D852,291	S *	6/2019	Meredith	D21/694
D852,907	S *	7/2019	Sergakis	D21/686
D854,635	S	7/2019	Dunahay	
D866,689	S	11/2019	Jones et al.	
D883,406	S *	5/2020	Sergakis	D21/686
D888,850	S *	6/2020	Smith, Jr.	D21/686
2002/0082145	A1	6/2002	Hamilton	
2005/0187083	A1	8/2005	Krystoff	
2009/0124471	A1	5/2009	Storch	
2010/0152007	A1	6/2010	Le et al.	
2013/0324383	A1	12/2013	Rogers	
2015/0014212	A1	1/2015	Beaver et al.	
2015/0290488	A1	10/2015	Hopperstad et al.	
2016/0129302	A1	5/2016	Vallo et al.	
2017/0209733	A1	7/2017	Beaver et al.	
2017/0246496	A1 *	8/2017	Nelson	A63B 21/0783
2018/0117382	A1 *	5/2018	Johanson	A63B 21/00047
2018/0326250	A1	11/2018	Henniger et al.	
2018/0353795	A1 *	12/2018	Ostmeyer	A63B 23/035
2019/0046835	A1	2/2019	Henniger et al.	
2019/0240521	A1 *	8/2019	Staten	A63B 17/04
2019/0269992	A1 *	9/2019	Dunahay	A47B 47/0083
2019/0275363	A1 *	9/2019	Jones	A63B 21/0616
2020/0179744	A1 *	6/2020	Arroyo	A63B 21/0626

OTHER PUBLICATIONS

Monster Hip Thruster Bench by Rogue dated Mar. 1, 2020. Found online [Sep. 1, 2020] <https://www.roguefitness.com/monster-hip-thruster-bench> (Year: 2020).*

Product listing for Rogue Rig Mount Parallel Bars from <https://web.archive.org/web/20170417164647/https://www.roguefitness.com/rogue-rig-mount-parallel-bars>, dated Apr. 17, 2017.

Photos of Rogue Rig Mount Parallel Bars from <https://web.archive.org/web/20170417164647/https://www.roguefitness.com/rogue-rig-mount-parallel-bars>, dated Apr. 17, 2017.

Product listing for Rogue V2 Face Mount Pull-up Bar for Monster Lite from <https://webarchive.org/web/20161105161238/https://www.roguefitness.com/rogue-v2-face-mount-pull-up-bar-for-monster-lite>, dated Nov. 5, 2016.

Photos of Titan 30" X-3 Parallel Bars, from <https://www.titan.fitness/30-x-3-parallel-bars.html>, dated Nov. 20, 2018, product known to be available prior to Apr. 6, 2018, but not prior to Apr. 17, 2017.

Photos of Titan 24" T-3 Parallel Bars, from <https://www.titan.fitness/24-t-3-parallel-bars.html>, dated Nov. 20, 2018, product known to be available prior to Apr. 6, 2018, but not prior to Apr. 17, 2017.

Photos of Titan 36" T-3 Parallel Bars, from <https://www.titan.fitness/36-t-3-parallel-bars.html>, dated Nov. 20, 2018, product known to be available prior to Apr. 6, 2018, but not prior to Apr. 17, 2017.

Product listing for Rogue Monster Lite Rack Mount Leg Roller, from <https://web.archive.org/web/20170710185245/https://www.roguefitness.com/rogue-monster-lite-rack-mount-leg-roller>, dated Jul. 10, 2017.

Product listing for 3x3 42" Spotter Bars from <https://web.archive.org/web/20160711122314/https://americanbarbell.com/products/42-spotter-bars-pair>, dated Jul. 11, 2016.

Product listing for ATX Spotter Bars 75cm from <https://web.archive.org/web/20180329105535/https://samsfitness.com.au/racks-cages-stands-smiths/atx-commercial-power-racks/atx-spotter-bars-75cm>, dated Mar. 29, 2018.

Product listing for Cage Spotting Rail Pair 675mm—Blue from <https://web.archive.org/web/20190315034747/https://www.alphafit.com.au/cage-spotting-rail-675mm>, dated Mar. 15, 2019.

Product listing for Full Safety Bars from <https://www.sorinex.com/products/full-safety-bars>, dated Mar. 27, 2020, product available at least as early as May 2, 2019.

Product Listing for XM Spotter Arms Attachment from <https://unified-fitness-group.myshopify.com/products/xm-spotter-arms-attachment>, dated Mar. 27, 2020, product available at least as early as May 2, 2019.

Product Listing for Flip Down Safety Bars for T-3 Power Racks from <https://www.titan.fitness/flip-down-safety-bars-for-t-3-power-racks.html>, dated Mar. 27, 2020, product available at least as early as May 2, 2019.

Product listing for Bolt-on Double Change Plate Storage, from <https://web.archive.org/web/20170613031342/https://www.roguefitness.com/bolt-on-double-change-plate-storage>, dated Jun. 13, 2017.

Product listing for Rogue Monster Crown Pull-up Bar, from <https://web.archive.org/web/20170715203419/https://www.roguefitness.com/rogue-monster-crown-pull-up-bar>, dated Jun. 15, 2017.

Product listing for Rogue Neutral Grips, from <https://web.archive.org/web/20170717112811/https://www.roguefitness.com/rogue-neutral-grips>, dated Jul. 17, 2017.

Product listing for SP3358 Plate Storage PA—Long for Monster Lite from <https://web.archive.org/web/20170623162752/https://www.roguefitness.com/sp3358-plate-storage-long-for-monster-lite>, dated Jun. 23, 2017.

Product listing for Monster Plate Storage Channel, from <https://web.archive.org/web/20170615182112/https://www.roguefitness.com/monster-plate-storage-channel>, dated Jun. 15, 2017.

Product listing for Rogue Infinity Kids Pull-up Bar, from <https://web.archive.org/web/20170717101351/https://www.roguefitness.com/rogue-kids-pullup-bar>, dated Jul. 17, 2017.

Product listing for Rogue Socket Monster Lite Pull-up Bar, from <https://web.archive.org/web/20180830040451/https://www.roguefitness.com/rogue-monster-lite-socket-pull-up-bar>, dated Aug. 30, 2018.

Product listing for Rogue Monster Plate Storage Pin, from <https://web.archive.org/web/20170616132650/http://www.roguefitness.com/rogue-monster-plate-storage-pin>, dated Jun. 16, 2017.

Product listing for Rogue Infinity Vertical Plate Storage, from <https://web.archive.org/web/20151229010125/http://www.roguefitness.com/rogue-vertical-plate-storage>, dated Dec. 29, 2015.

Product listing for Rogue R-3W Fold Back Wall Mount Rack from <https://web.archive.org/web/20181022030706/https://www.roguefitness.com/rogue-r-3w-fold-back-wall-mount-rack> <https://web.archive.org/>

(56)

References Cited

OTHER PUBLICATIONS

org/web/20181022030706/https://www.roguefitness.com/rogue-r-3w-fold-back-wall-mount-rack>, dated Oct. 22, 2018.

Product listing for Rogue Rml-3W Fold Back Wall Mount Rack from <https://web.archive.org/web/20190313144932/https://www.roguefitness.com/rogue-rml-3w-fold-back-wall-mount-rack> <<https://web.archive.org/web/20190313144932/https://www.roguefitness.com/rogue-rml-3w-fold-back-wall-mount-rack>>, dated Mar. 13, 2019.

Product listing for Rogue Rml-3WC Fold Back Wall Mount Rack from <https://web.archive.org/web/20190331202349/https://www.roguefitness.com/rogue-rml-3wc-fold-back-wall-mount-rack-custom-color-edition> <<https://web.archive.org/web/20190331202349/https://www.roguefitness.com/rogue-rml-3wc-fold-back-wall-mount-rack-custom-color-edition>>, dated Mar. 31, 2019.

* cited by examiner

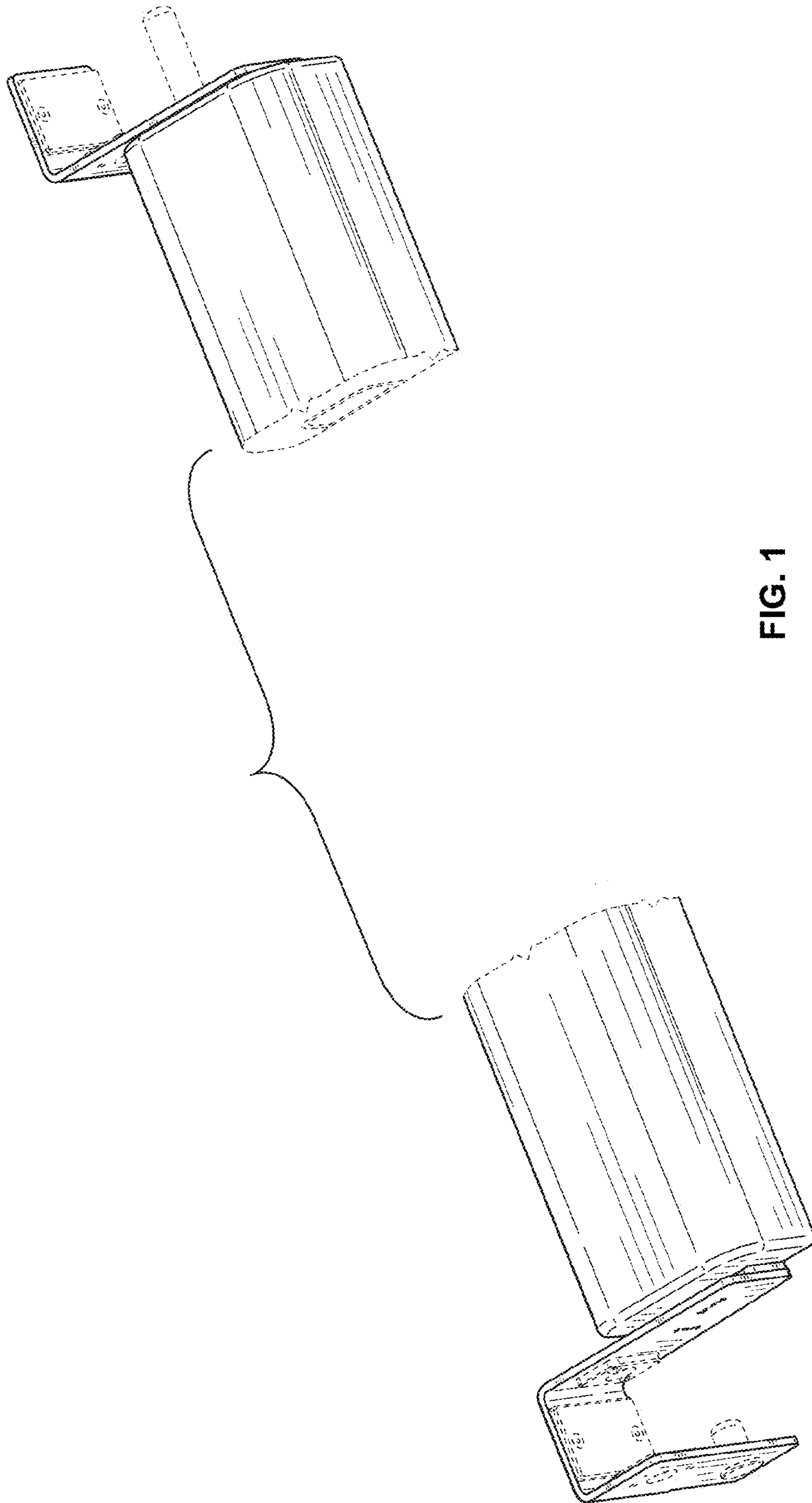


FIG. 1

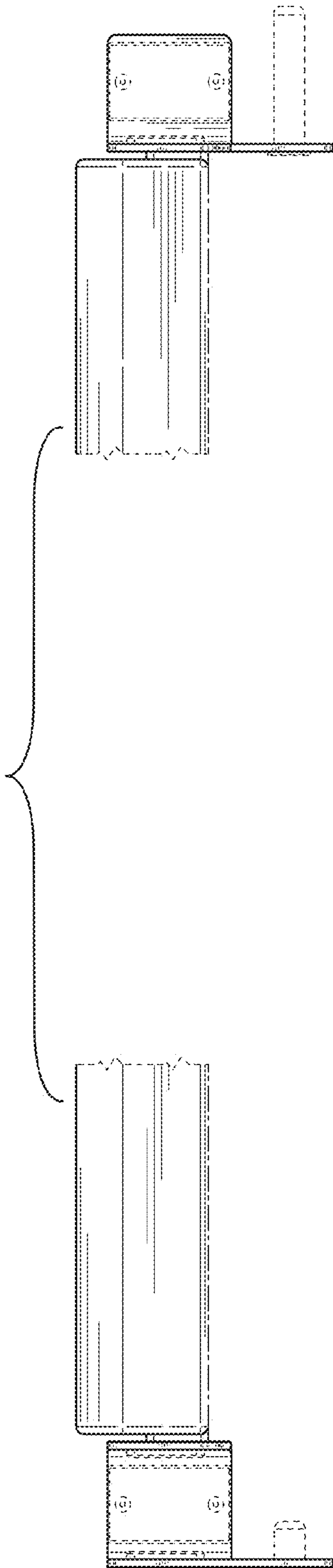


FIG. 2

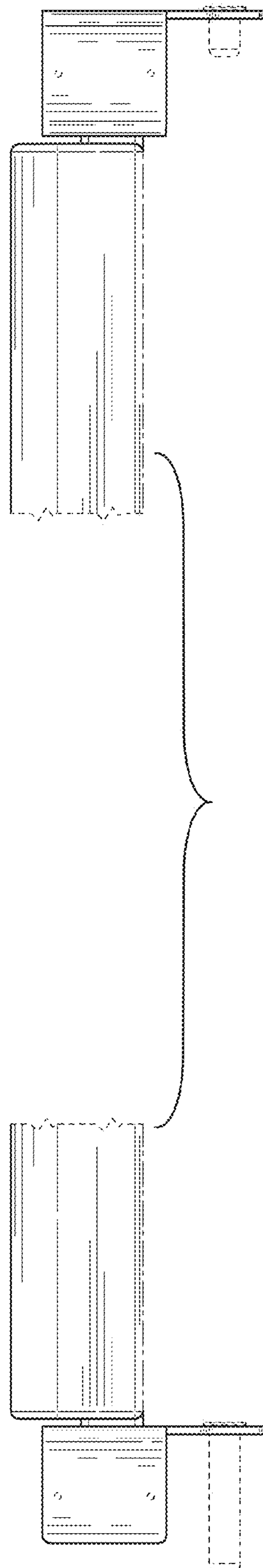


FIG. 3

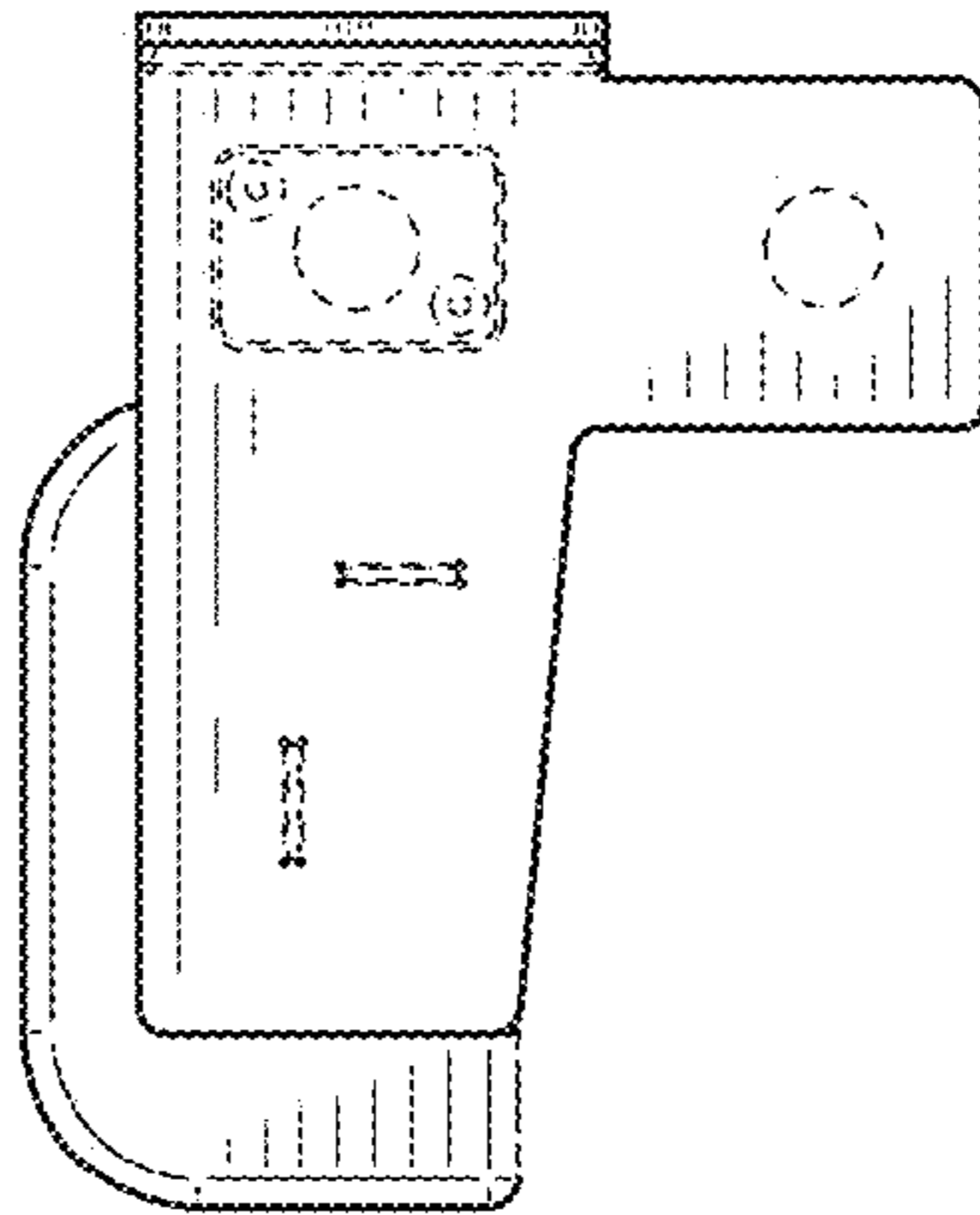


FIG. 5

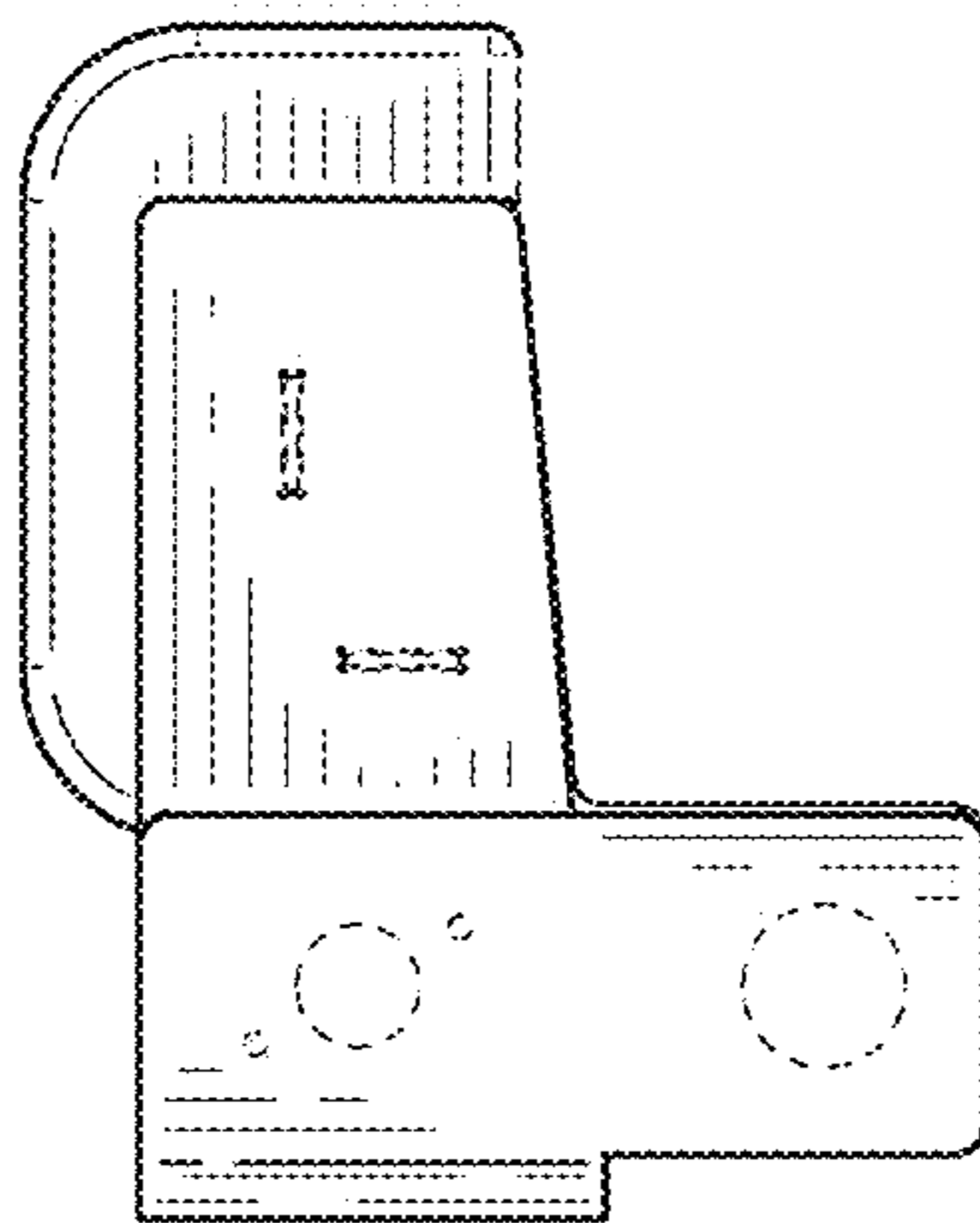


FIG. 4

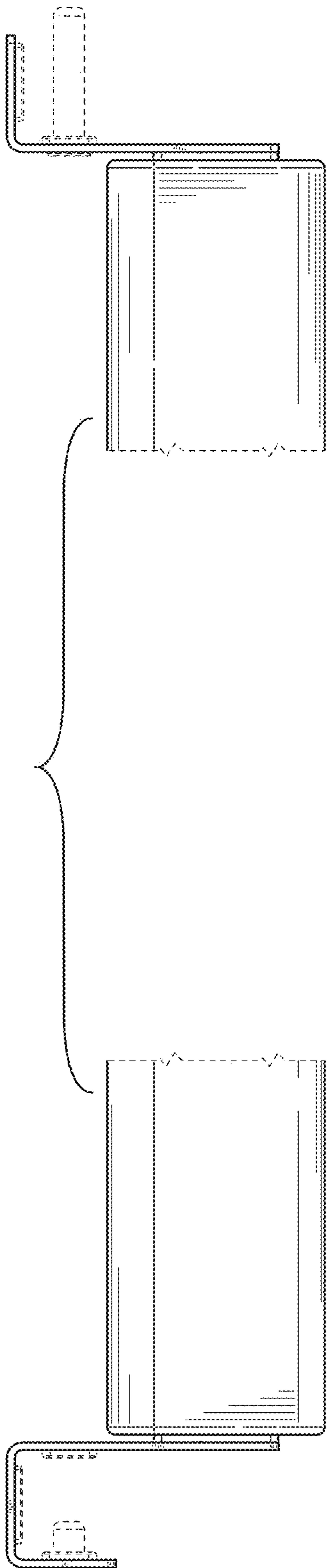


FIG. 6

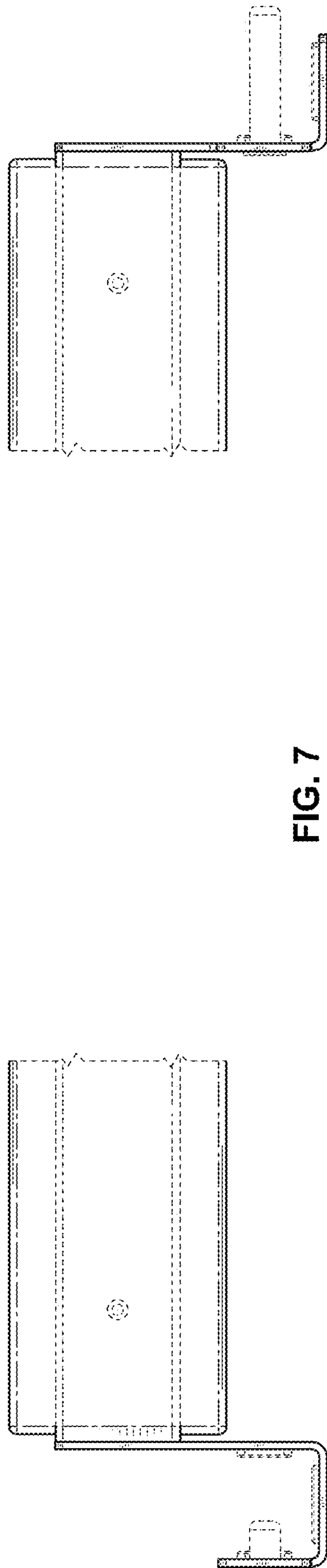


FIG. 7

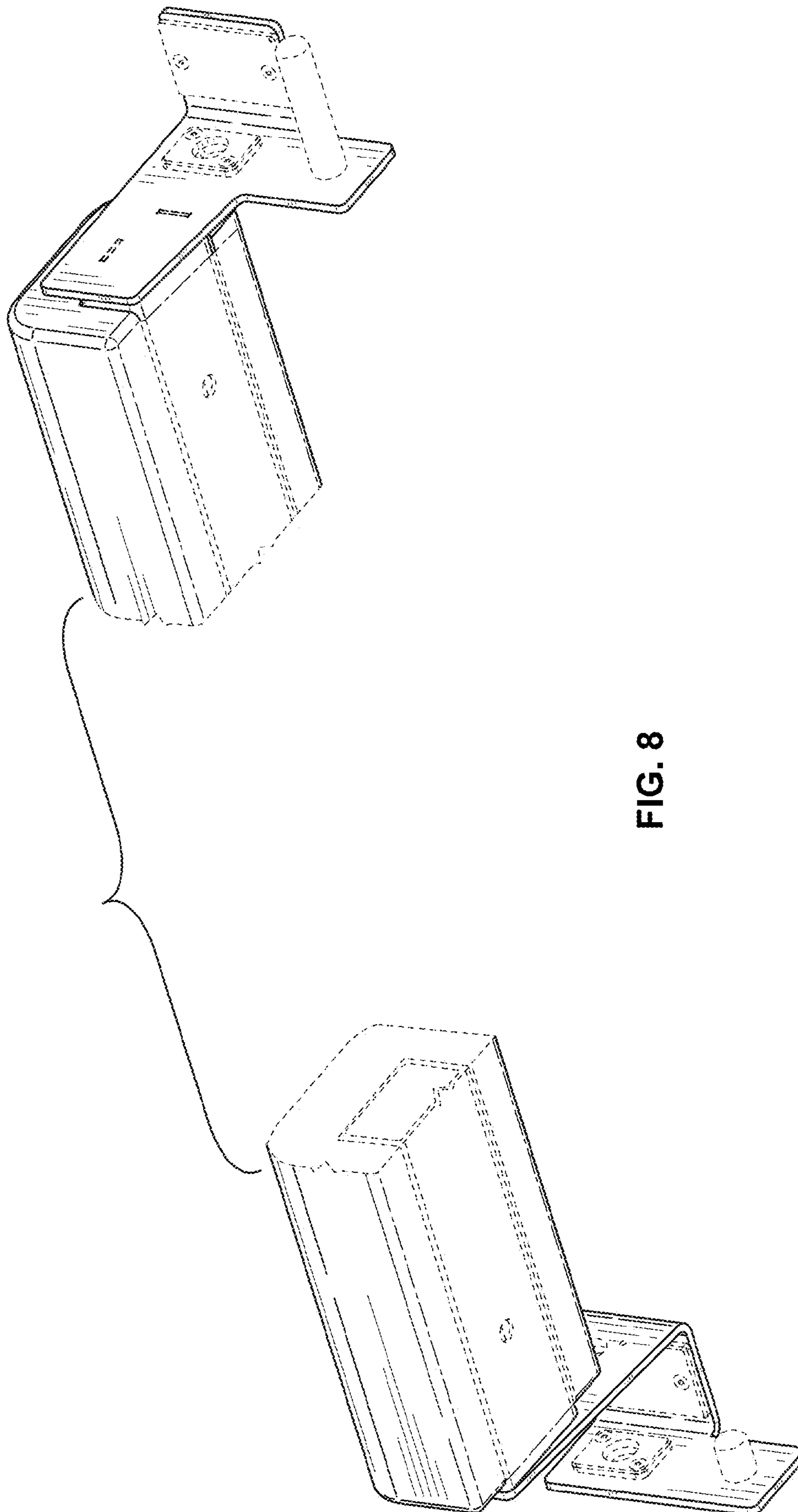


FIG. 8