



US00D908822S

(12) **United States Design Patent**
Arceta

(10) **Patent No.:** **US D908,822 S**
(45) **Date of Patent:** **** Jan. 26, 2021**

- (54) **FRAME FOR A TREADMILL**
- (71) Applicant: **Brunswick Corporation**, Mettawa, IL (US)
- (72) Inventor: **Radmond V. Arceta**, Libertyville, IL (US)
- (73) Assignee: **Life Fitness, LLC**, Rosemont, IL (US)
- (**) Term: **15 Years**

D585,506 S *	1/2009	Olason	D21/696
D601,644 S *	10/2009	Kim	D21/696
D607,067 S *	12/2009	Wu	D21/669
D657,833 S *	4/2012	Cloutier	D21/694
D682,372 S *	5/2013	Alessandri	D21/669
D728,045 S *	4/2015	Hubler	D21/694
D728,710 S *	5/2015	Koduri	D21/694
D739,902 S *	9/2015	Hubler	D21/694
D751,156 S *	3/2016	Tasca	D21/669
D827,733 S *	9/2018	Hochstrasser	D21/669
10,130,845 B2 *	11/2018	Alessandri	A63B 24/0075
D854,101 S *	7/2019	Kruse	D21/669
D859,543 S *	9/2019	Lisi	D21/669

- (21) Appl. No.: **29/683,026**
- (22) Filed: **Mar. 11, 2019**
- (51) **LOC (13) Cl.** **21-02**
- (52) **U.S. Cl.**
USPC **D21/694**; D21/669
- (58) **Field of Classification Search**
USPC D21/662, 668, 669, 670, 671, 686, 694
CPC A63B 22/02; A63B 2220/18; A63B 24/00;
A63B 69/0028
See application file for complete search history.

* cited by examiner

Primary Examiner — Cynthia Ramirez
Assistant Examiner — Michael A Maharajh
 (74) *Attorney, Agent, or Firm* — Andrus Intellectual Property Law, LLP

(57) **CLAIM**

The ornamental design for a frame for a treadmill, as shown and described.

DESCRIPTION

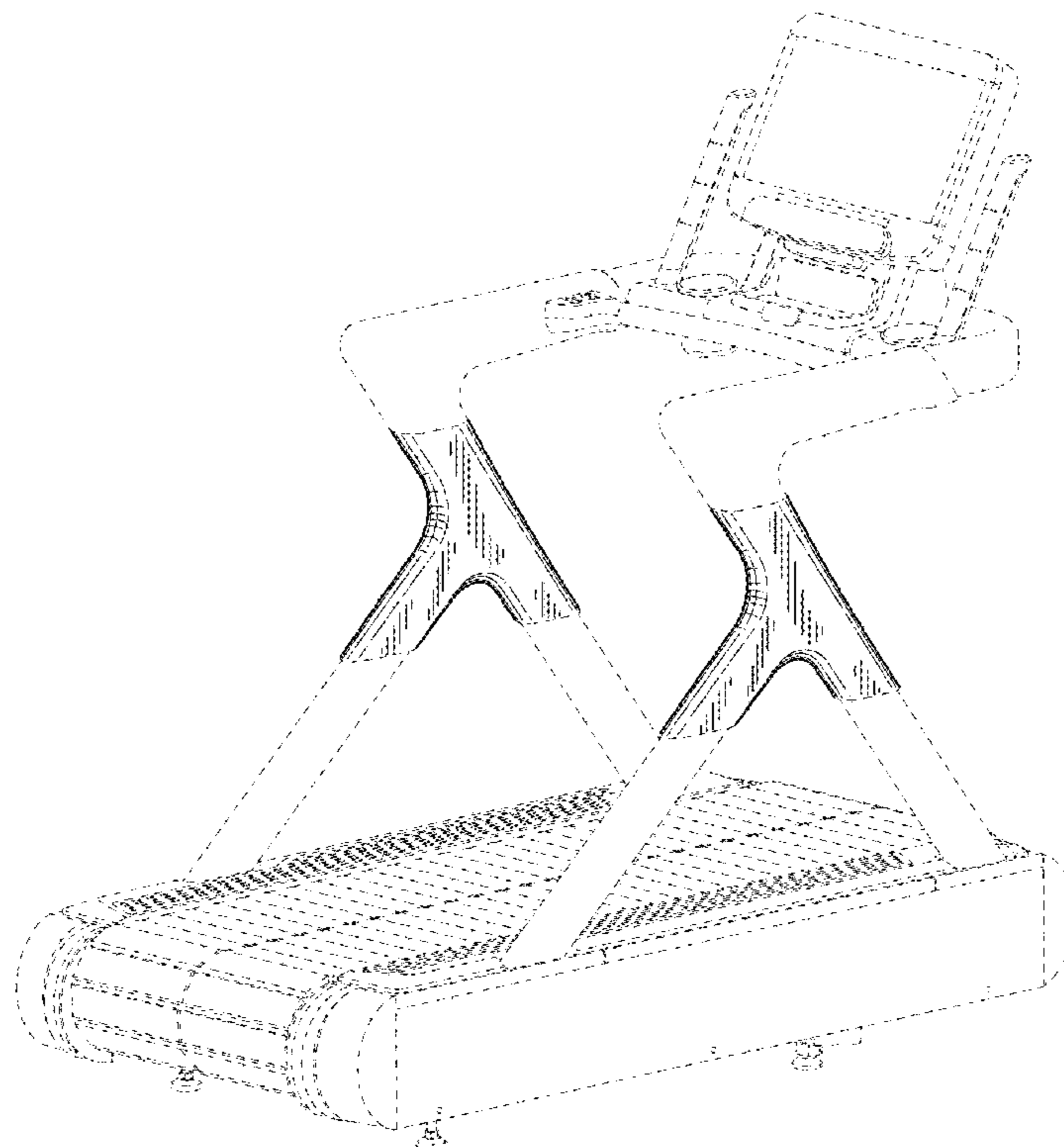
FIG. 1 is a perspective view of a frame for a treadmill, showing my new design.
 FIG. 2 is a side view thereof.
 FIG. 3 is an opposite side view thereof.
 FIG. 4 is a rear view thereof.
 FIG. 5 is a front view thereof; and,
 FIG. 6 is a top view thereof.
 The broken lines in the drawings illustrate portions of the frame that are not part of the claimed design.

(56) **References Cited**

U.S. PATENT DOCUMENTS

D282,386 S *	1/1986	Dealey	D21/669
D465,250 S *	11/2002	San-Ching	D21/669
D482,085 S *	11/2003	Eyler	D21/669
D523,099 S *	6/2006	Clifton	D21/669
D531,683 S *	11/2006	Choi	D21/696
D557,359 S *	12/2007	Olason	D21/694
D557,360 S *	12/2007	Olason	D21/696
D579,992 S *	11/2008	Cesaroni	D21/694

1 Claim, 6 Drawing Sheets



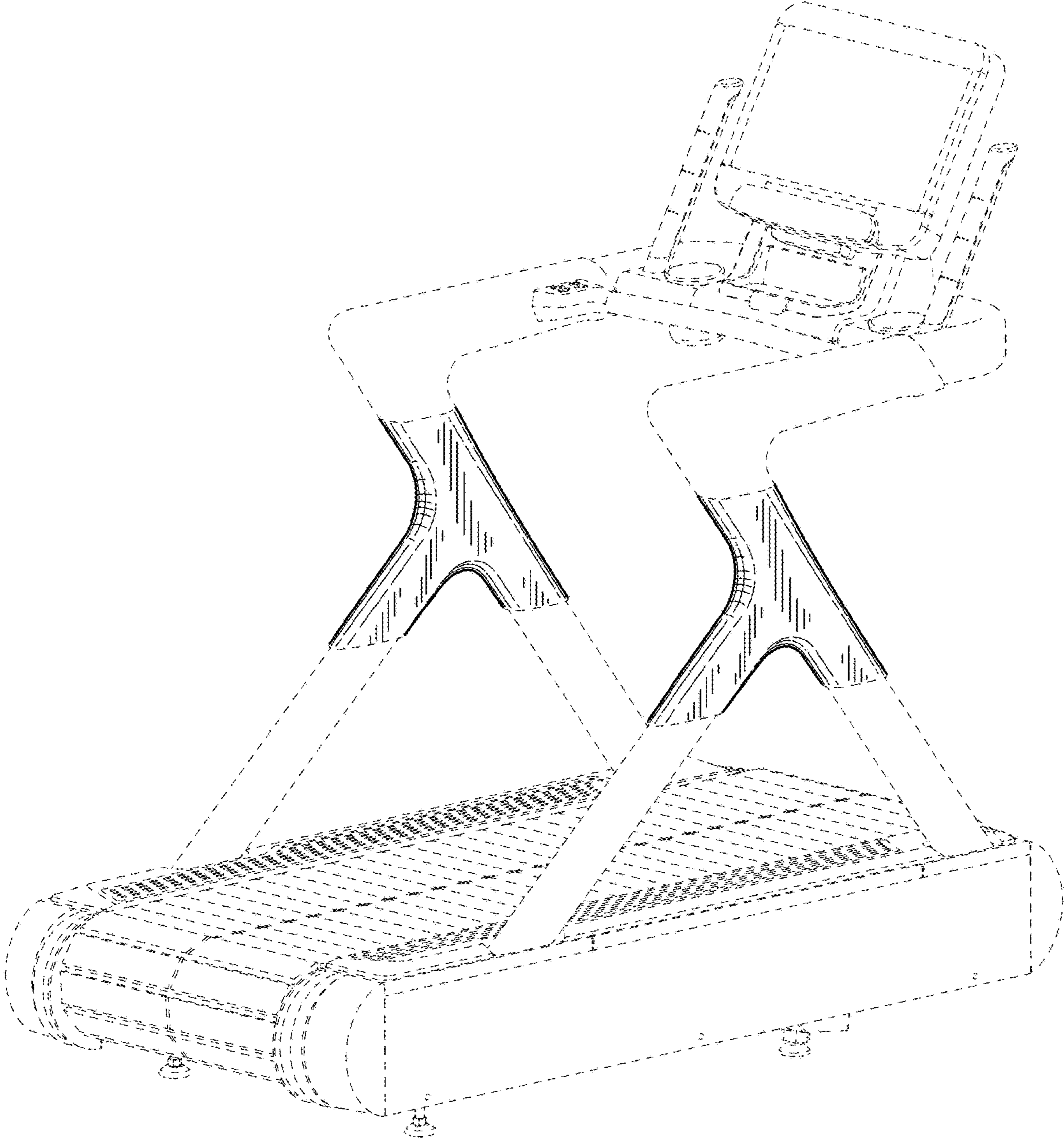


FIG. 1

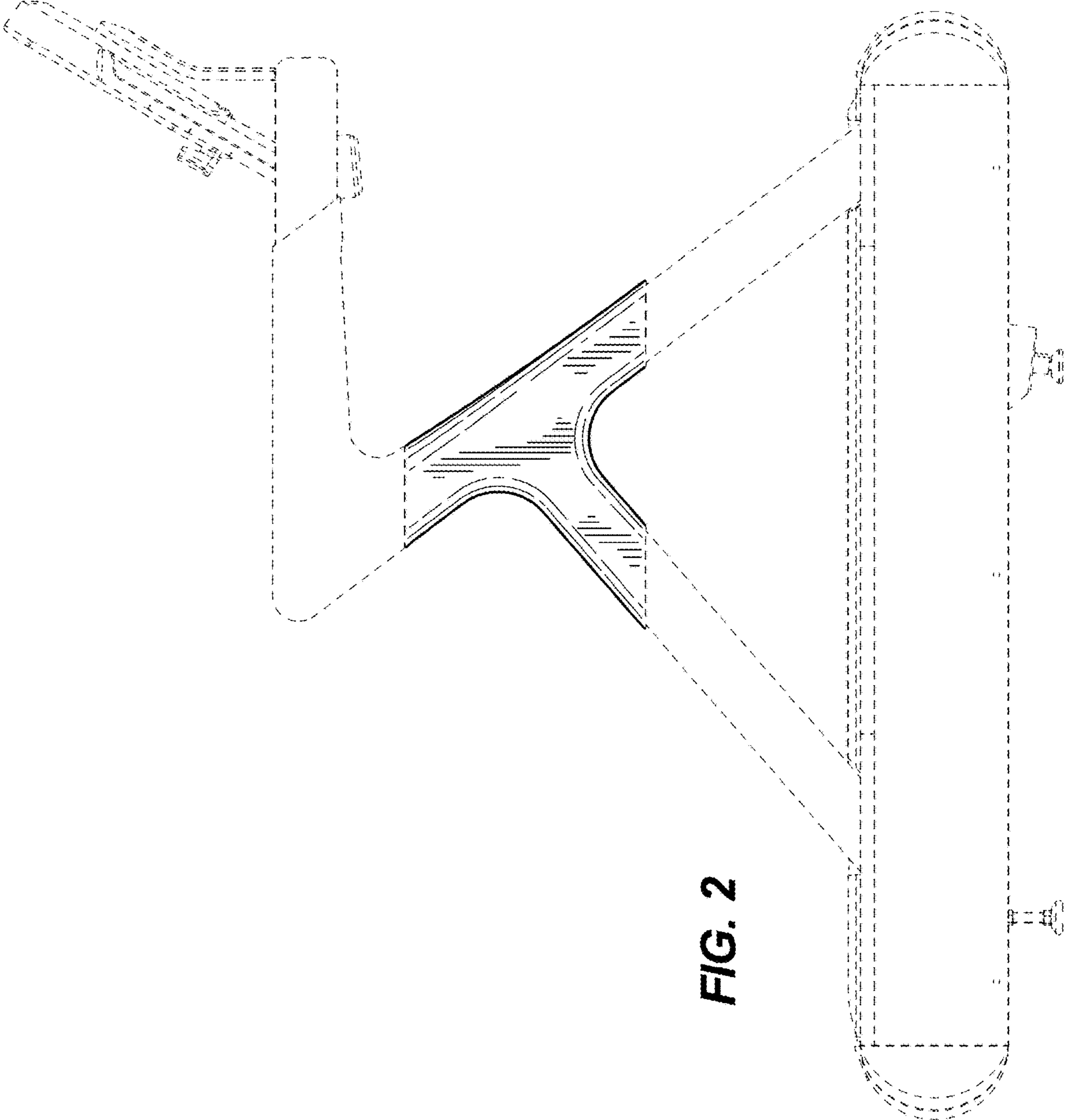
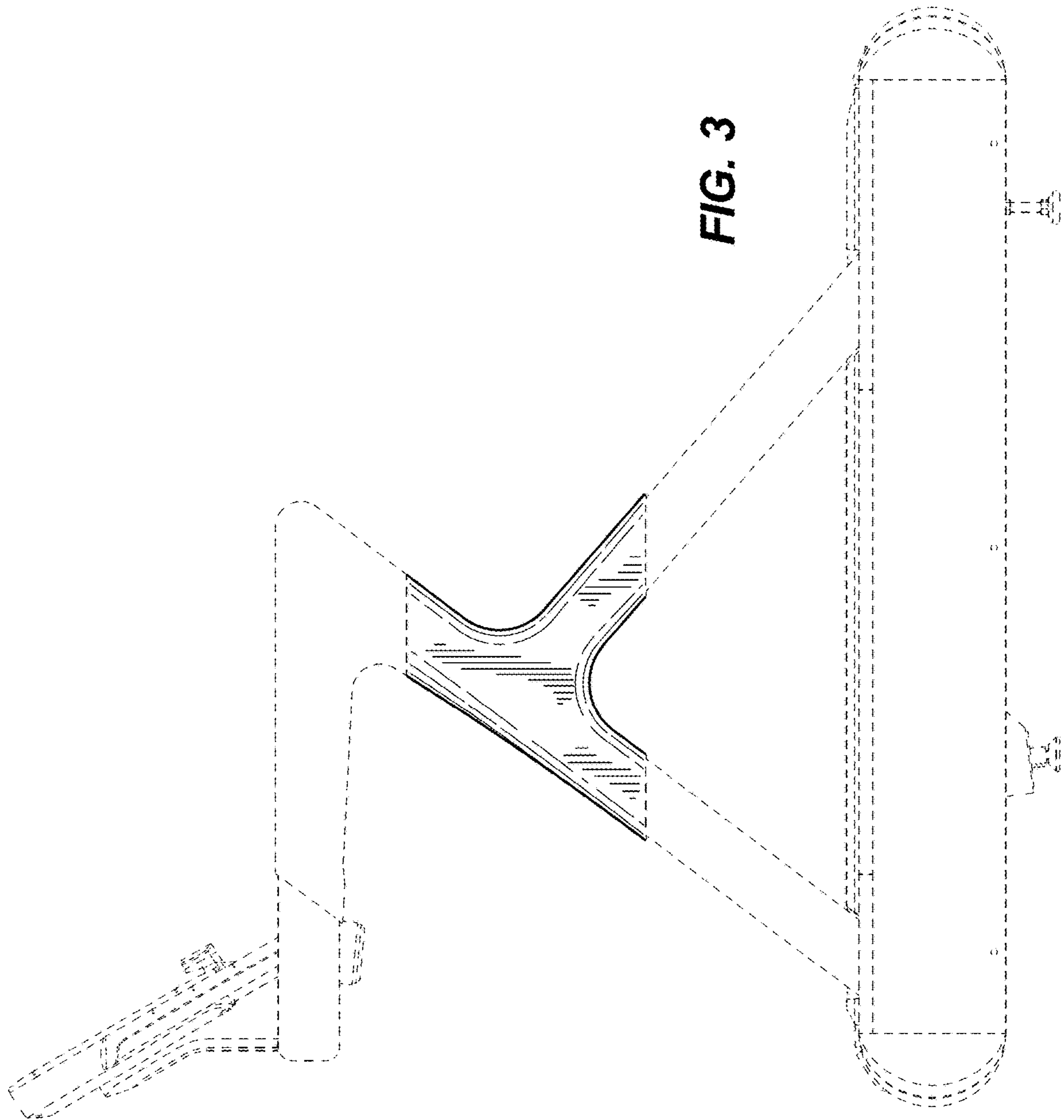


FIG. 2



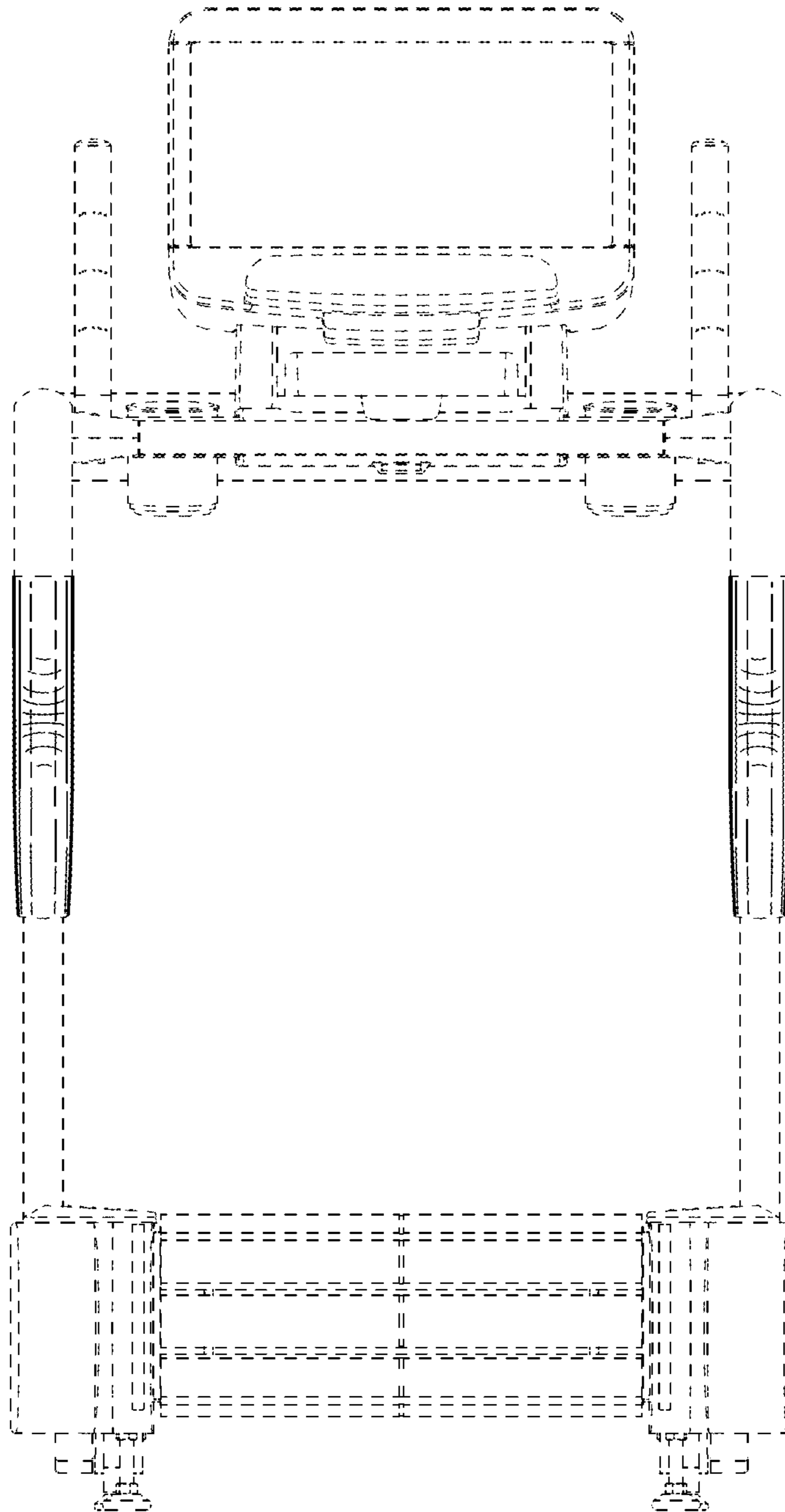


FIG. 4

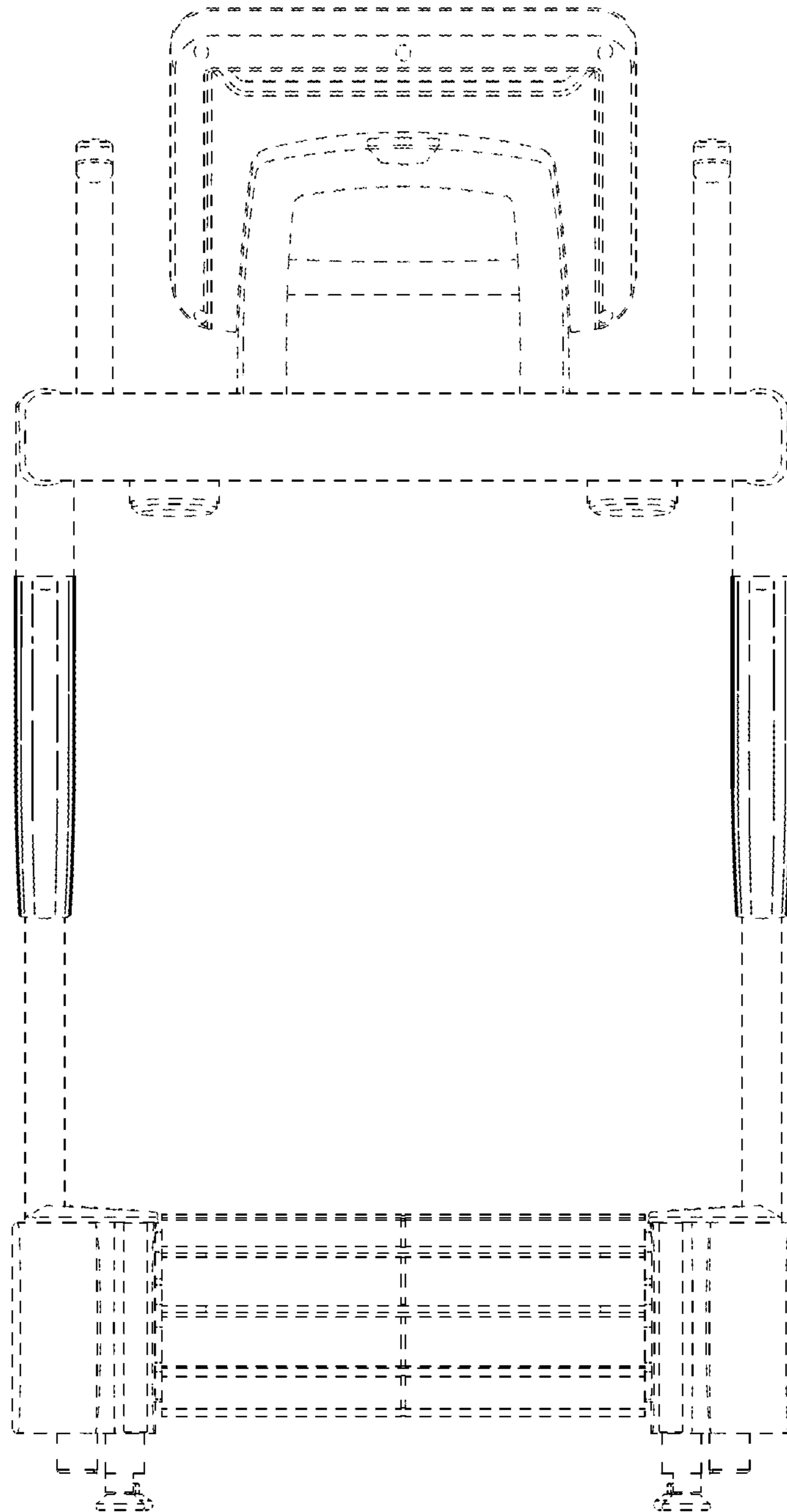


FIG. 5

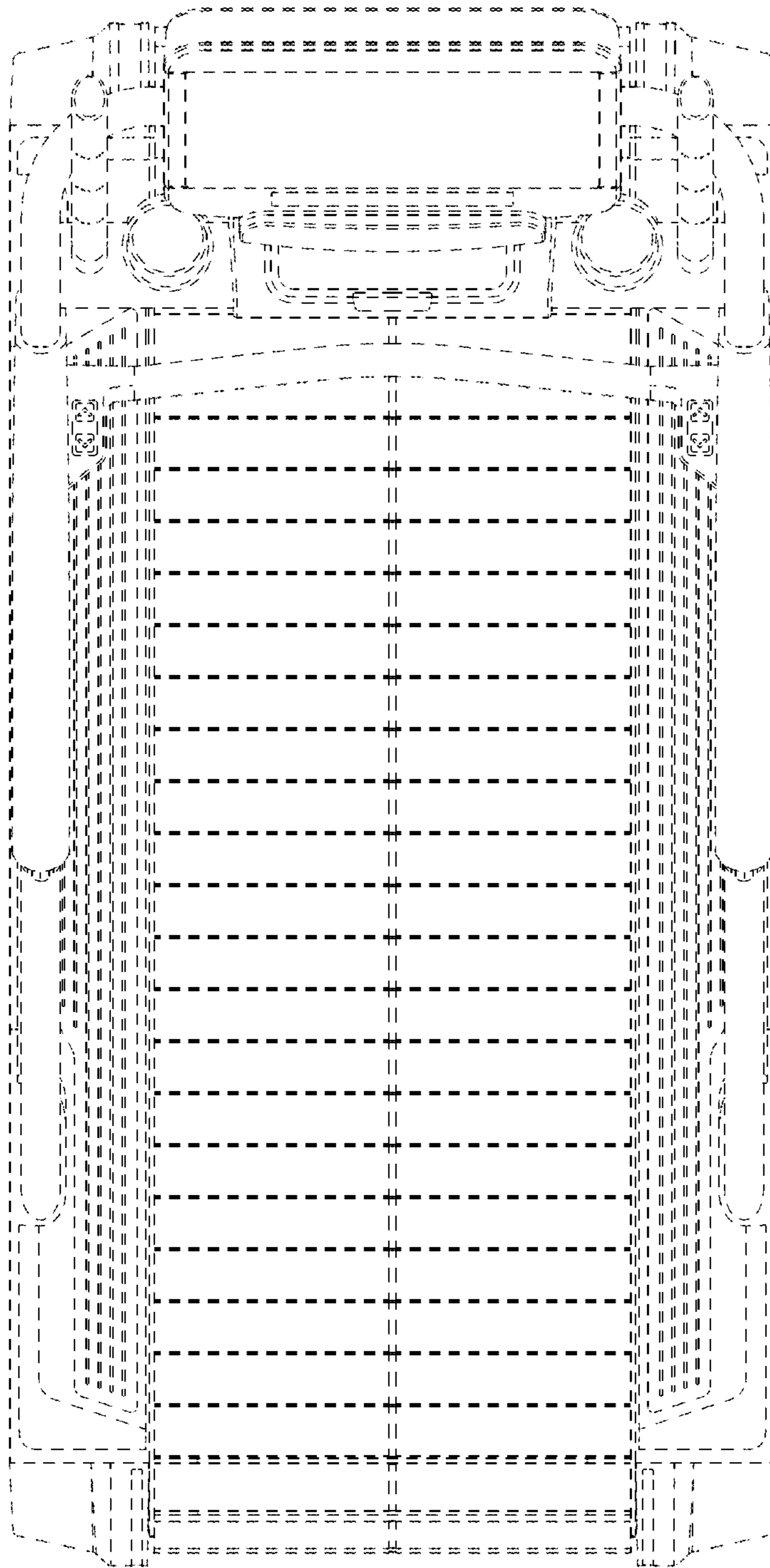


FIG. 6