



US00D908820S

(12) **United States Design Patent**  
**Kuh et al.**

(10) **Patent No.:** **US D908,820 S**

(45) **Date of Patent:** **\*\* Jan. 26, 2021**

(54) **GRIP**

**DESCRIPTION**

- (71) Applicant: **BoMi, LLC**, Bay Village, OH (US)
- (72) Inventors: **Lawrence Howard Kuh**, Bay Village, OH (US); **Dominic Edward Marconi**, Bay Village, OH (US)
- (73) Assignee: **BoMi, LLC**, Bay Village, OH (US)
- (\*\*) Term: **15 Years**
- (21) Appl. No.: **29/630,327**
- (22) Filed: **Dec. 20, 2017**
- (51) **LOC (13) Cl.** ..... **21-02**
- (52) **U.S. Cl.**  
USPC ..... **D21/682**
- (58) **Field of Classification Search**  
USPC ..... 482/93, 106, 107, 108, 141, 148;  
D21/662, 677, 680, 681, 682, 686;  
(Continued)

The patent or application file contains at least one drawing executed in color. Copies of this patent or patent application publication with color drawing(s) will be provided by the Office upon request and payment of the necessary fee.

FIG. 1 is a rear/right/top perspective view of a first embodiment of a grip (a rear/left/top perspective view would be a mirror image thereof);

FIG. 2 is a front/right/top perspective view thereof (a front/left/top perspective view would be a mirror image thereof);

FIG. 3 is a rear/right/bottom perspective view thereof (a rear/left/bottom perspective view would be a mirror image thereof);

FIG. 4 is a front/right/bottom perspective view thereof (a front/left/bottom perspective view would be a mirror image thereof);

FIG. 5 is a top plan view thereof;

FIG. 6 is a bottom plan view thereof;

FIG. 7 is a left side elevational view thereof;

FIG. 8 is a right side elevational view thereof;

FIG. 9 is a rear elevational view thereof; and

FIG. 10 is a front elevational view thereof.

FIG. 11 is a right side elevational view of a second embodiment of a grip;

FIG. 12 is a rear elevational view thereof;

FIG. 13 is a left side elevational view thereof;

FIG. 14 is a front elevational view thereof;

FIG. 15 is a rear/right/top perspective view thereof;

FIG. 16 is a front/right/top perspective view thereof;

FIG. 17 is a rear/right/bottom perspective view thereof; and

FIG. 18 is a front/right/bottom perspective view thereof.

FIG. 19 is a right side elevational view of a third embodiment of a grip;

FIG. 20 is a rear elevational view thereof;

FIG. 21 is a left side elevational view thereof;

FIG. 22 is a front elevational view thereof;

FIG. 23 is a rear/right/top perspective view thereof;

FIG. 24 is a front/right/top perspective view thereof;

FIG. 25 is a rear/right/bottom perspective view thereof; and,

FIG. 26 is a front/right/bottom perspective view thereof.

(56) **References Cited**

**U.S. PATENT DOCUMENTS**

- D330,662 S \* 11/1992 Nuno ..... D7/622
  - D332,981 S \* 2/1993 Poli ..... D21/686
- (Continued)

**OTHER PUBLICATIONS**

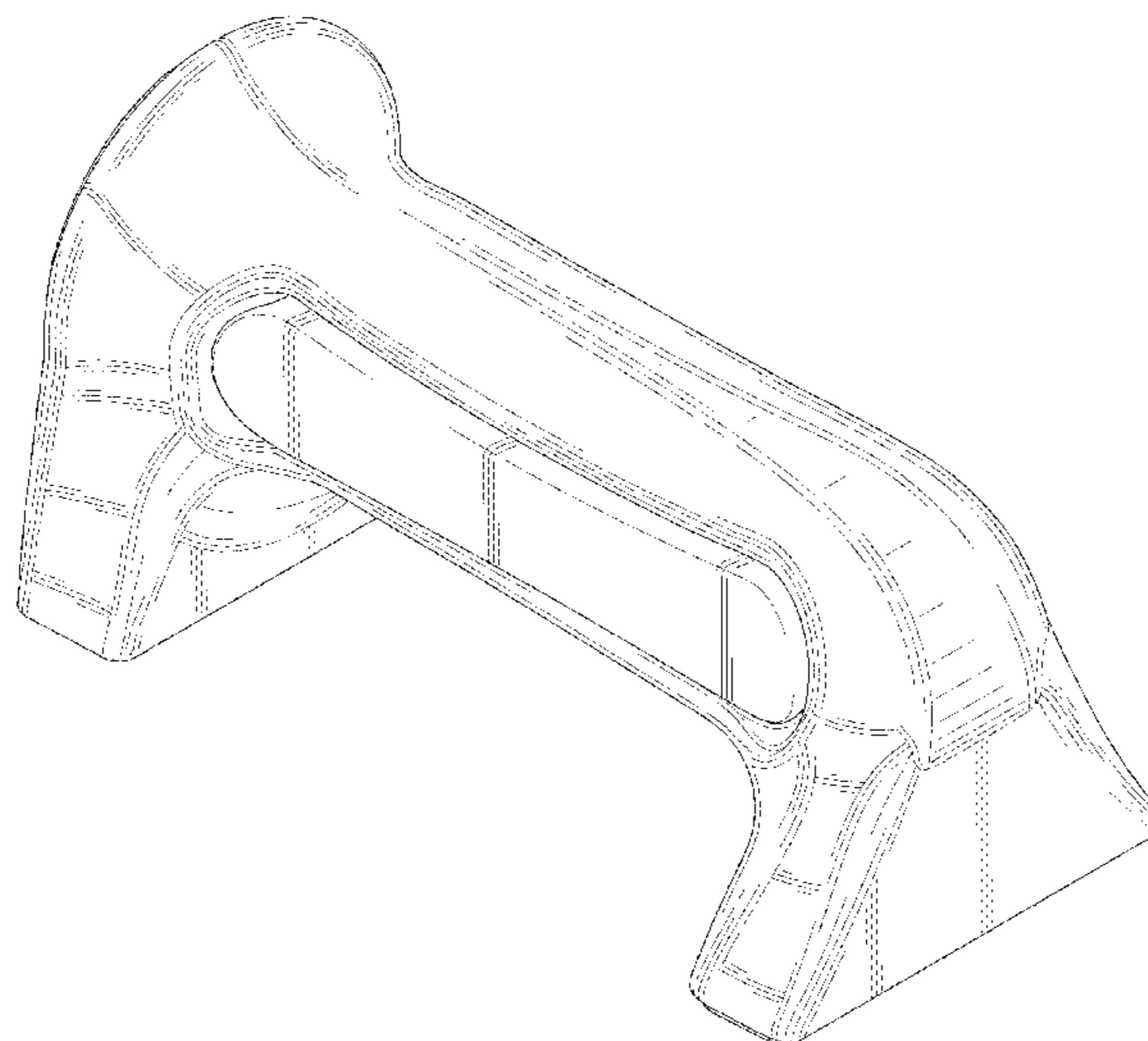
<http://bhoga.com/bhoga-infinity-blocks> as of Jul. 1, 2017 from archive.org, pp. 1-4.

*Primary Examiner* — Cynthia Ramirez  
*Assistant Examiner* — Michael A Maharajh  
 (74) *Attorney, Agent, or Firm* — Calfee, Halter & Griswold LLP

(57) **CLAIM**

We claim the ornamental design for a grip, as shown and described.

**1 Claim, 16 Drawing Sheets**  
**(10 of 16 Drawing Sheet(s) Filed in Color)**



# US D908,820 S

Page 2

(58) **Field of Classification Search**  
USPC ..... D30/160; D3/318; D7/393; D23/304;  
D8/300, 303, 311, 313, 315, 317, 319,  
D8/320  
CPC .. A63B 21/0724; A63B 23/03508; A63B 1/00  
See application file for complete search history.

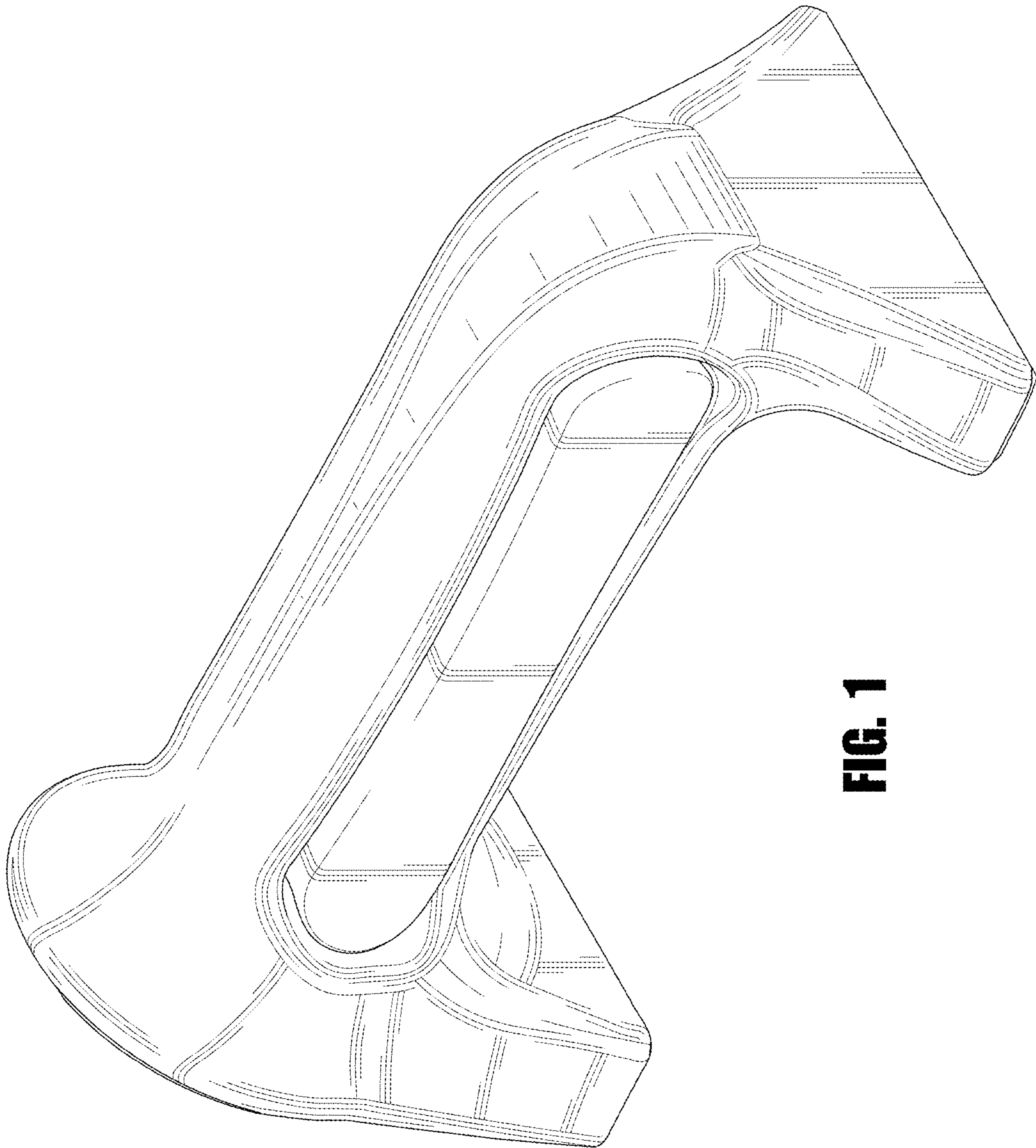
(56) **References Cited**

U.S. PATENT DOCUMENTS

D343,433 S \* 1/1994 Crosson ..... D21/682  
D354,100 S \* 1/1995 Tsay ..... D21/686  
D359,090 S \* 6/1995 Van Der Hoeven ..... D21/682  
D384,713 S \* 10/1997 Eckmann ..... D21/682  
D399,910 S \* 10/1998 Eckmann ..... D21/682  
D432,603 S \* 10/2000 Bullard, Jr. .... D21/662  
6,471,623 B1 \* 10/2002 Lin ..... A63B 23/12  
482/141  
D471,715 S \* 3/2003 Wu ..... D3/318  
D506,377 S \* 6/2005 Marzolf ..... D8/300  
D513,694 S \* 1/2006 Vitkauskas ..... D8/300  
D579,503 S \* 10/2008 Hauser ..... A63B 21/00047  
D21/662  
D585,719 S \* 2/2009 Imai ..... D8/300  
D585,947 S \* 2/2009 Royster ..... D21/662  
D593,168 S \* 5/2009 Khubani ..... D21/662  
D593,396 S \* 6/2009 Habib ..... D8/300  
D597,153 S \* 7/2009 Friedman ..... D21/662  
D599,417 S \* 9/2009 Friedman ..... D21/662  
D602,138 S \* 10/2009 Gilbert ..... D23/304

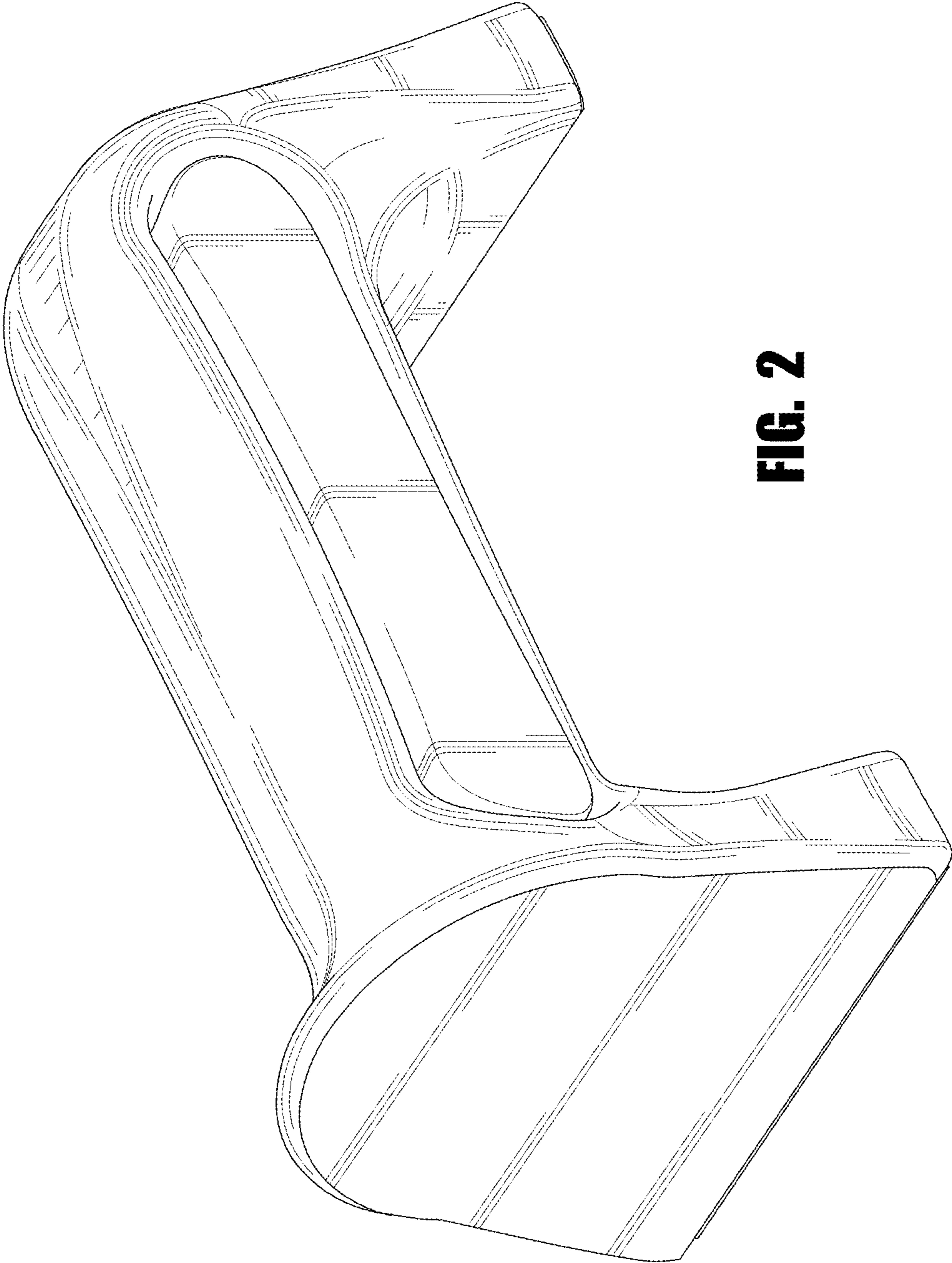
7,678,031 B2 \* 3/2010 Ngu ..... A63B 21/075  
482/107  
7,780,575 B1 \* 8/2010 Goodwin, III ..... A63B 1/00  
482/40  
D629,275 S \* 12/2010 Schmidt ..... D8/300  
D639,409 S \* 6/2011 Gilbert ..... D23/304  
D654,545 S \* 2/2012 Richard ..... D21/662  
D662,997 S \* 7/2012 Su ..... D21/662  
D665,581 S \* 8/2012 Wu ..... D3/318  
D685,038 S \* 6/2013 Crain ..... D21/662  
8,480,547 B2 \* 7/2013 Coates ..... A63B 21/00047  
482/131  
D693,633 S \* 11/2013 Lee ..... D7/394  
D695,364 S \* 12/2013 Khalil ..... D21/662  
8,864,638 B2 \* 10/2014 Ross ..... A63B 21/1636  
482/141  
D725,725 S \* 3/2015 White ..... D21/682  
D744,544 S \* 12/2015 Wuisan ..... D15/28  
D754,265 S \* 4/2016 White ..... D21/682  
D779,600 S \* 2/2017 Dean ..... D21/686  
D799,610 S \* 10/2017 Ho ..... D21/681  
D805,140 S \* 12/2017 Hodes ..... D21/681  
D839,365 S \* 1/2019 Martinez ..... D21/662  
D842,678 S \* 3/2019 Meyer ..... D8/315  
D844,075 S \* 3/2019 St. Jeor ..... D21/662  
D846,664 S \* 4/2019 Martinez ..... D21/662  
D860,758 S \* 9/2019 Hall ..... D8/313  
2014/0371040 A1 \* 12/2014 Vasquez ..... A63B 1/00  
482/39  
2019/0143168 A1 \* 5/2019 Chang ..... A63B 21/4035

\* cited by examiner

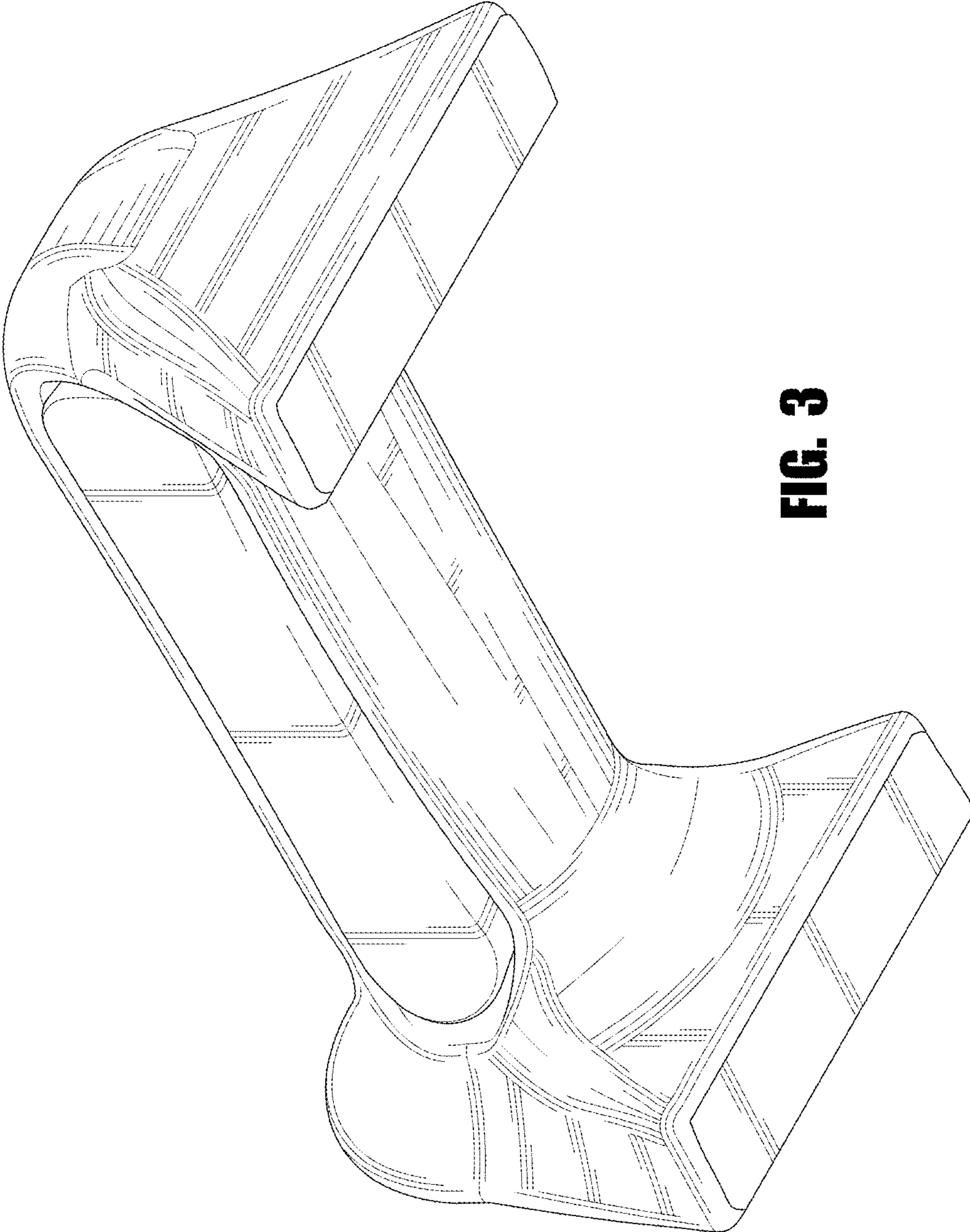


**FIG. 1**

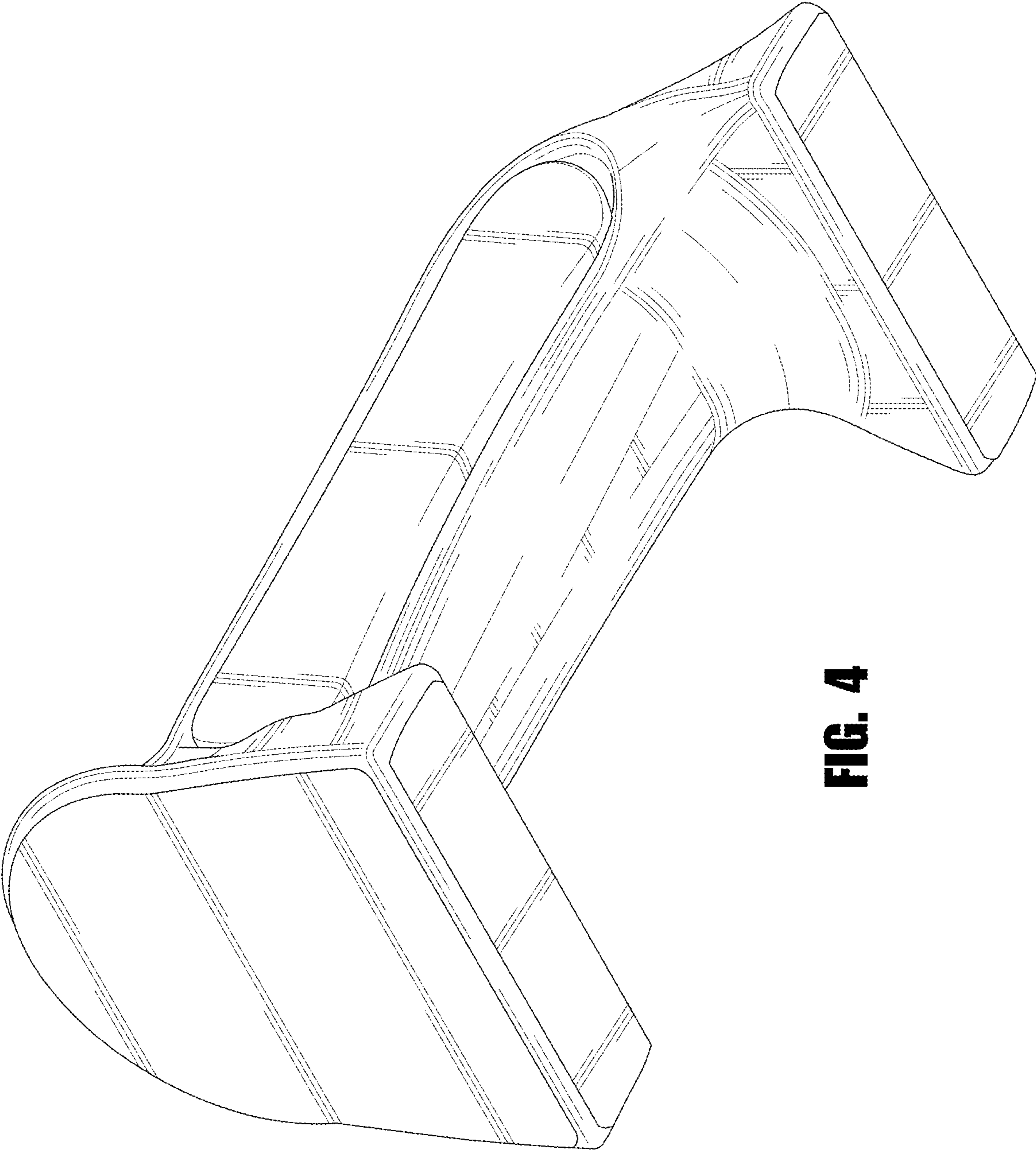




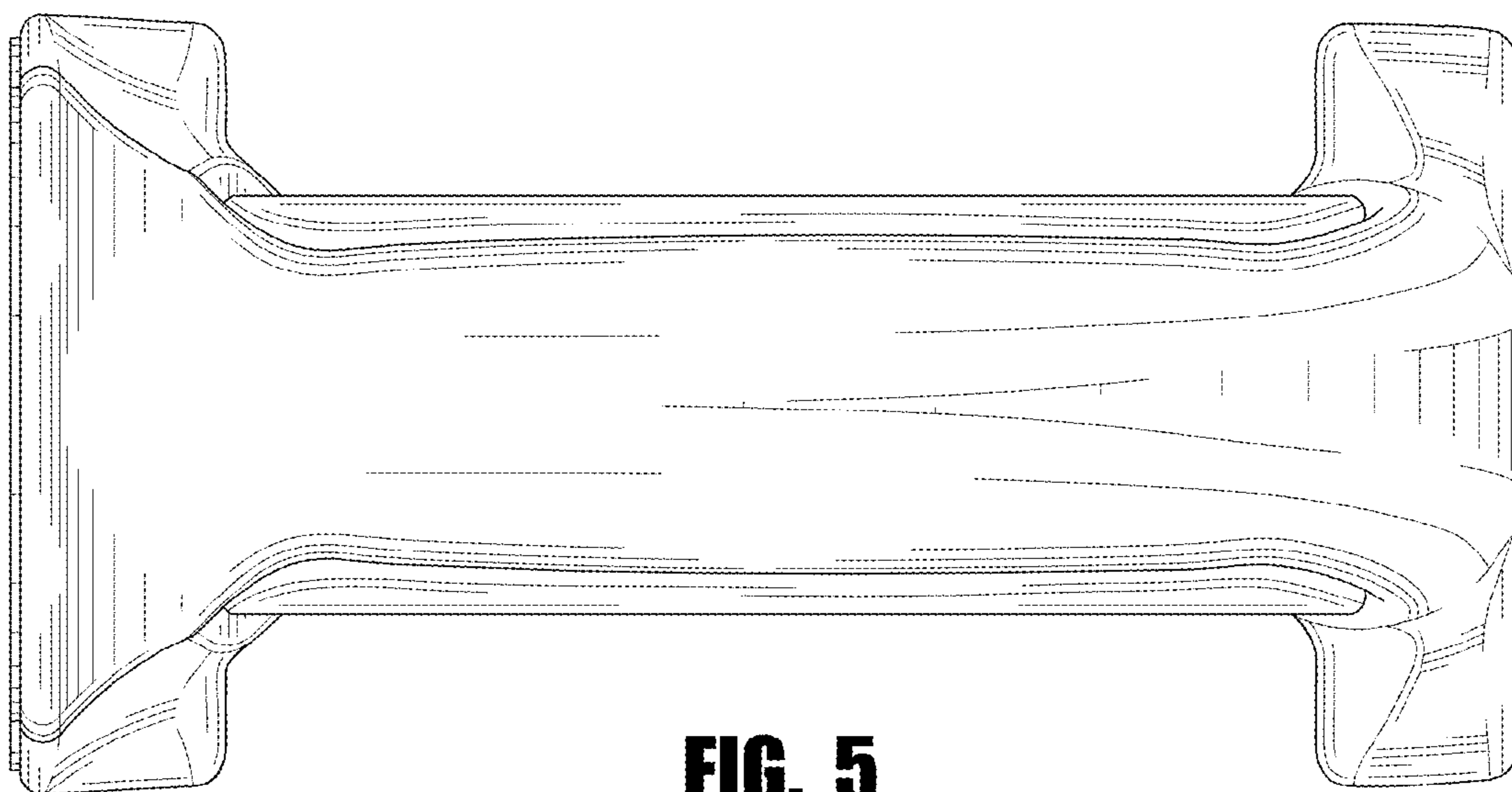
**FIG. 2**



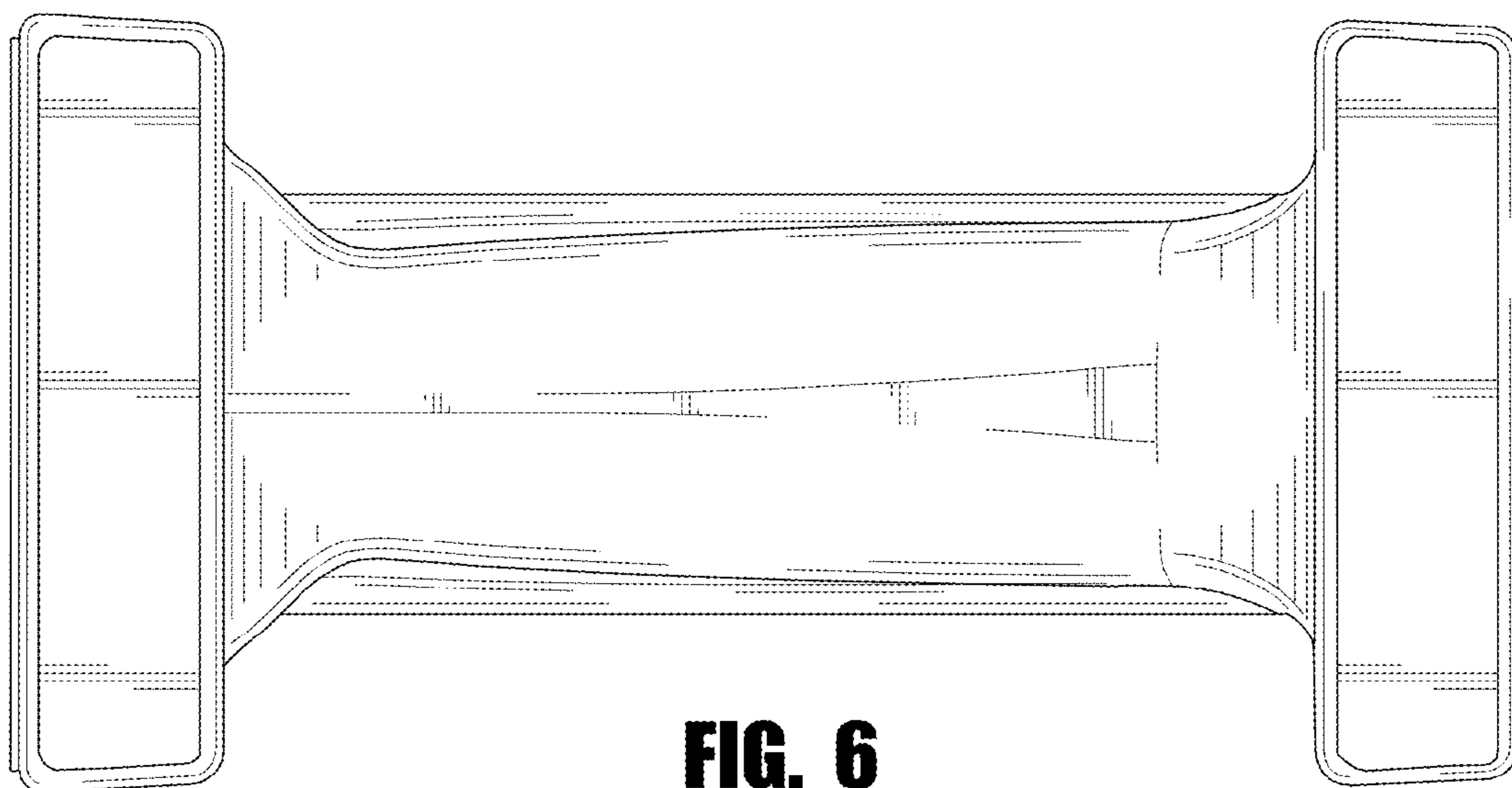
**FIG. 3**



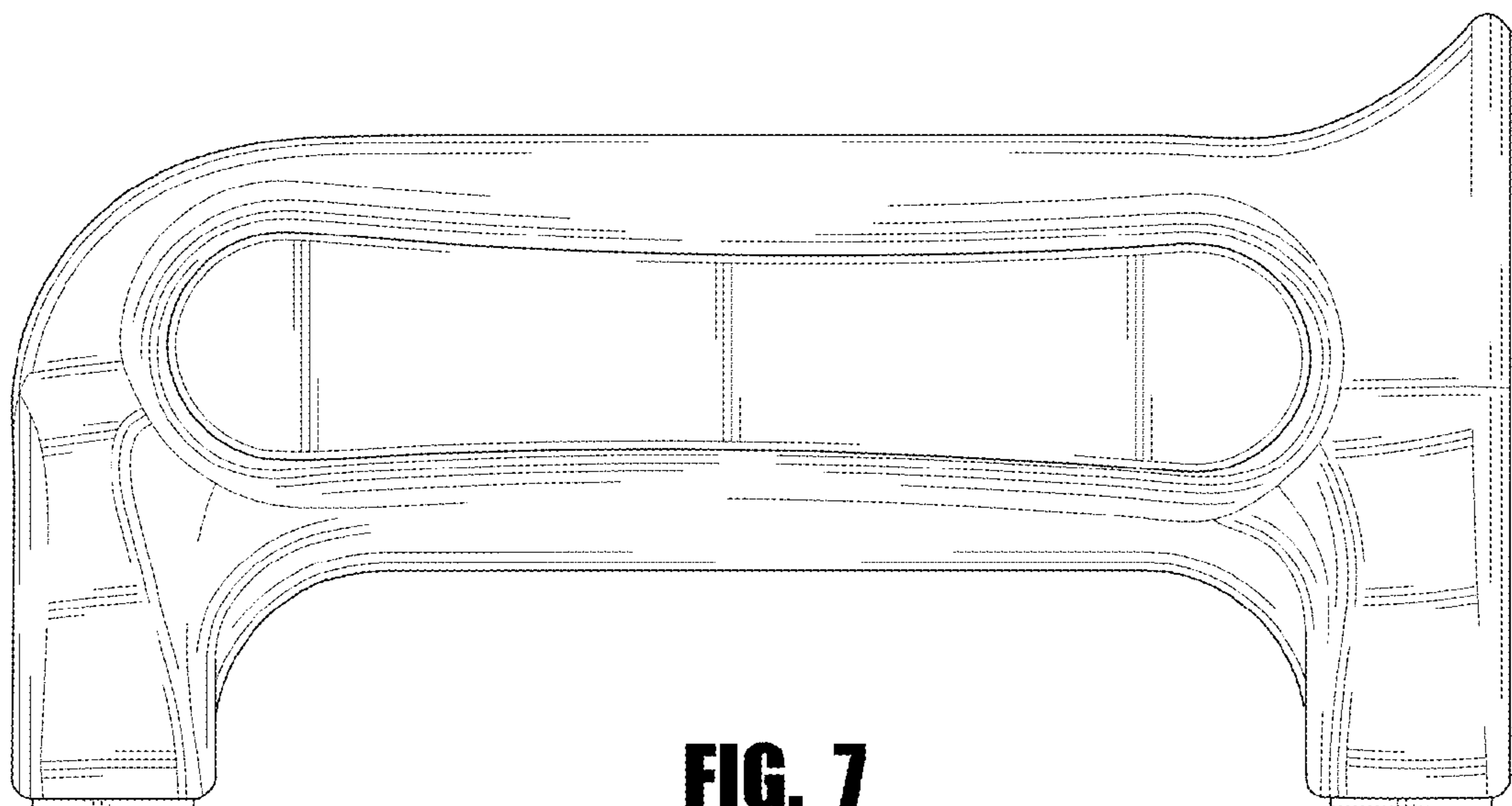
**FIG. 4**



**FIG. 5**

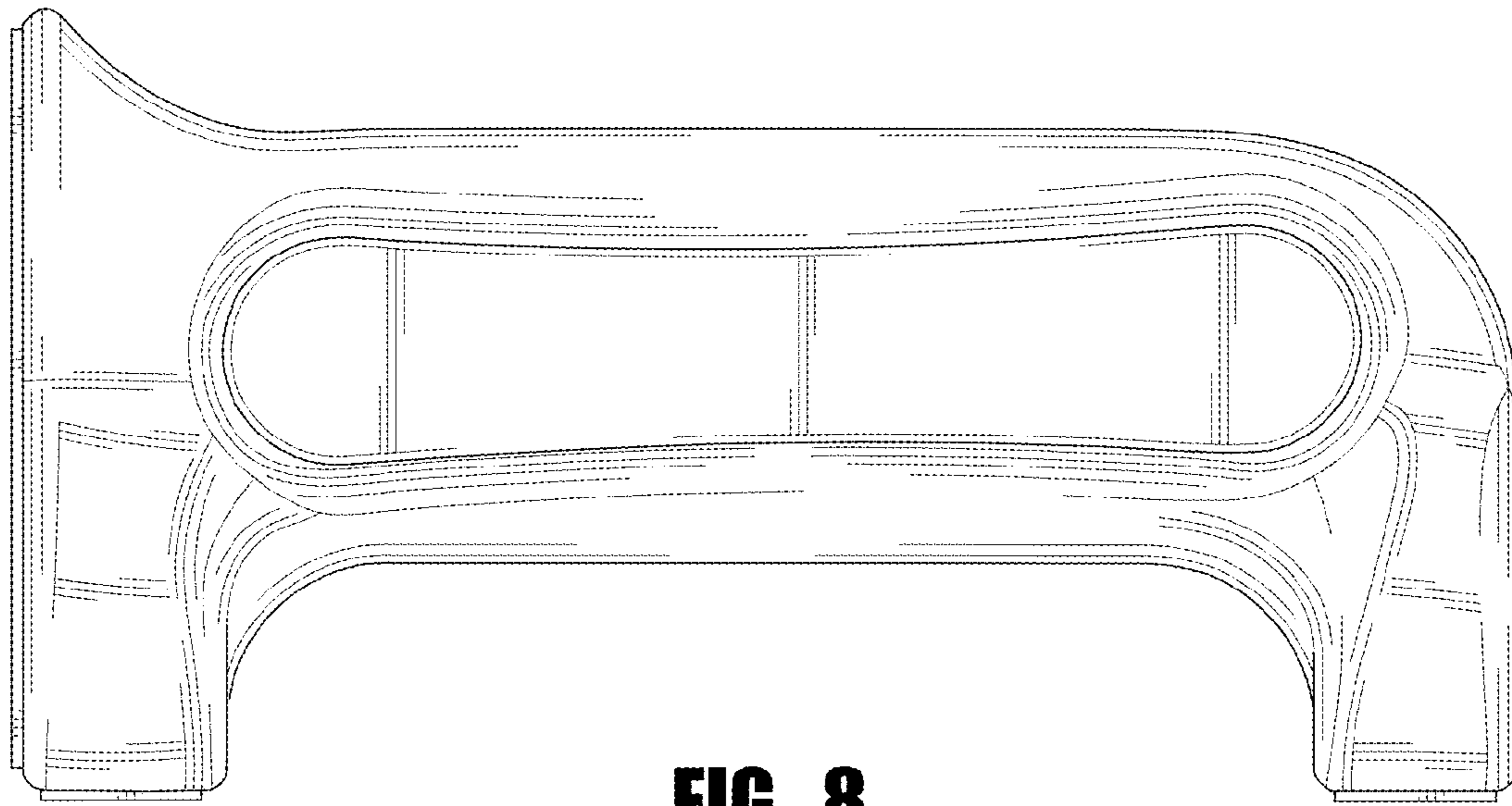


**FIG. 6**

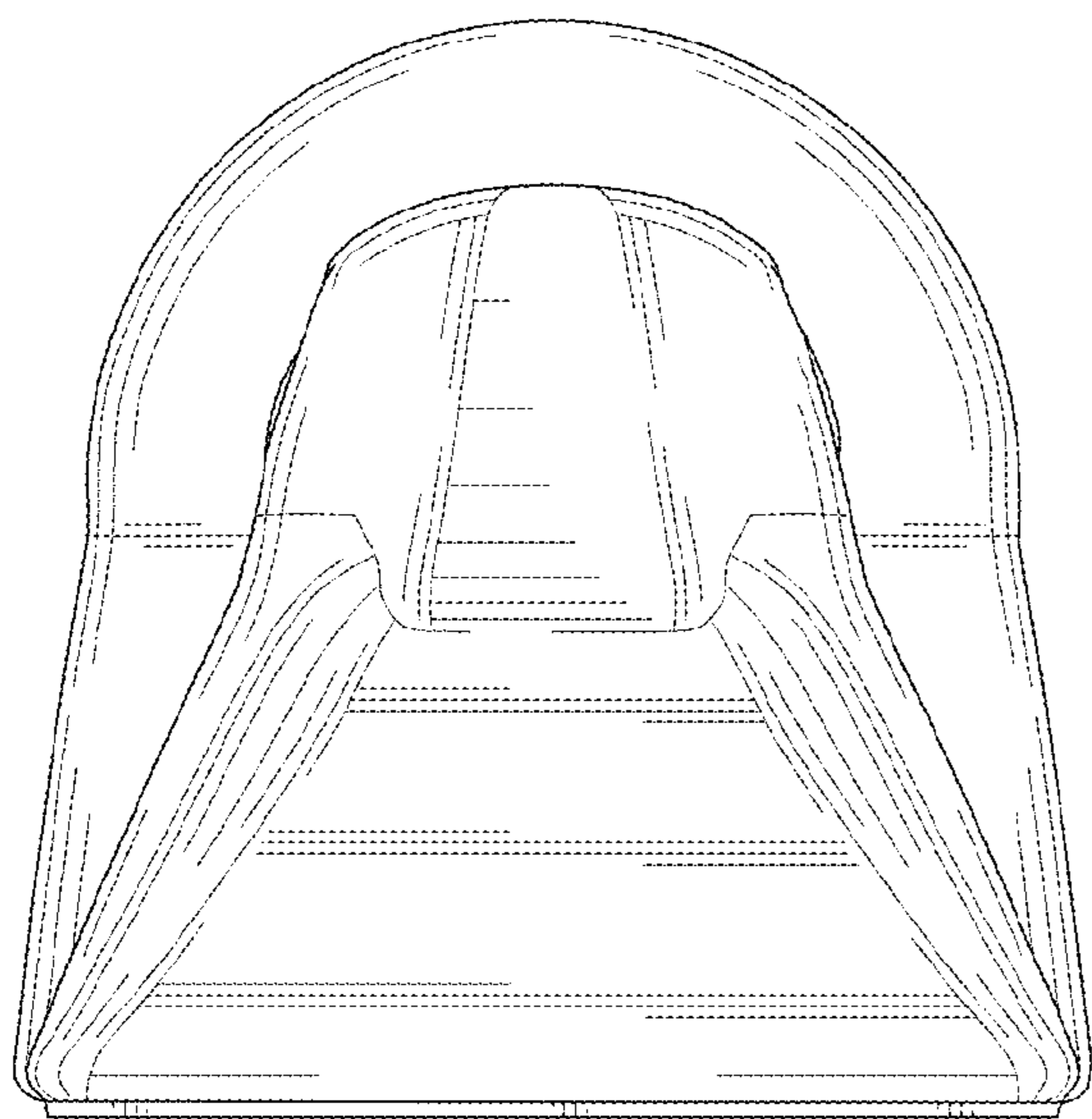


**FIG. 7**

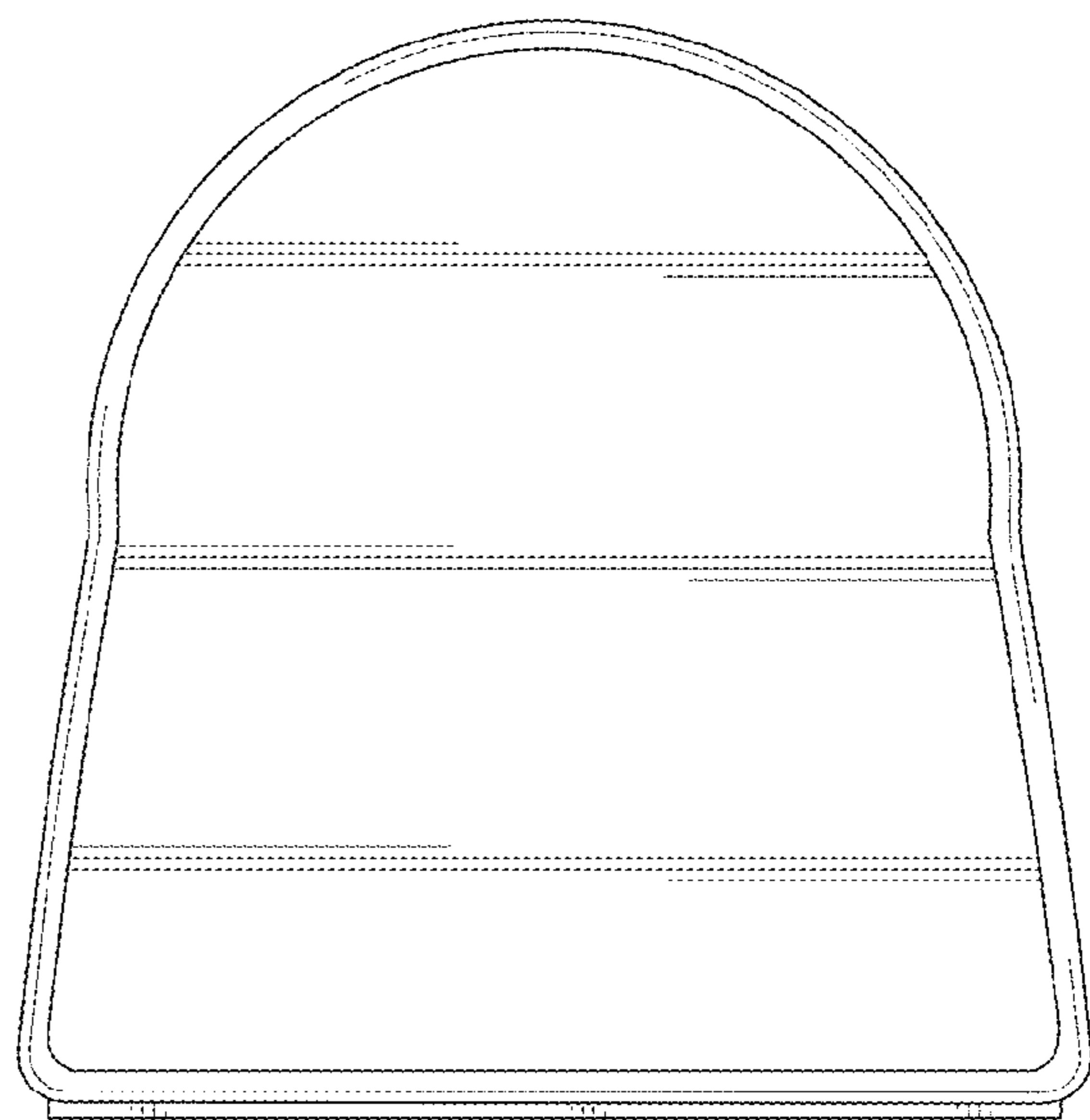




**FIG. 8**



**FIG. 9**



**FIG. 10**



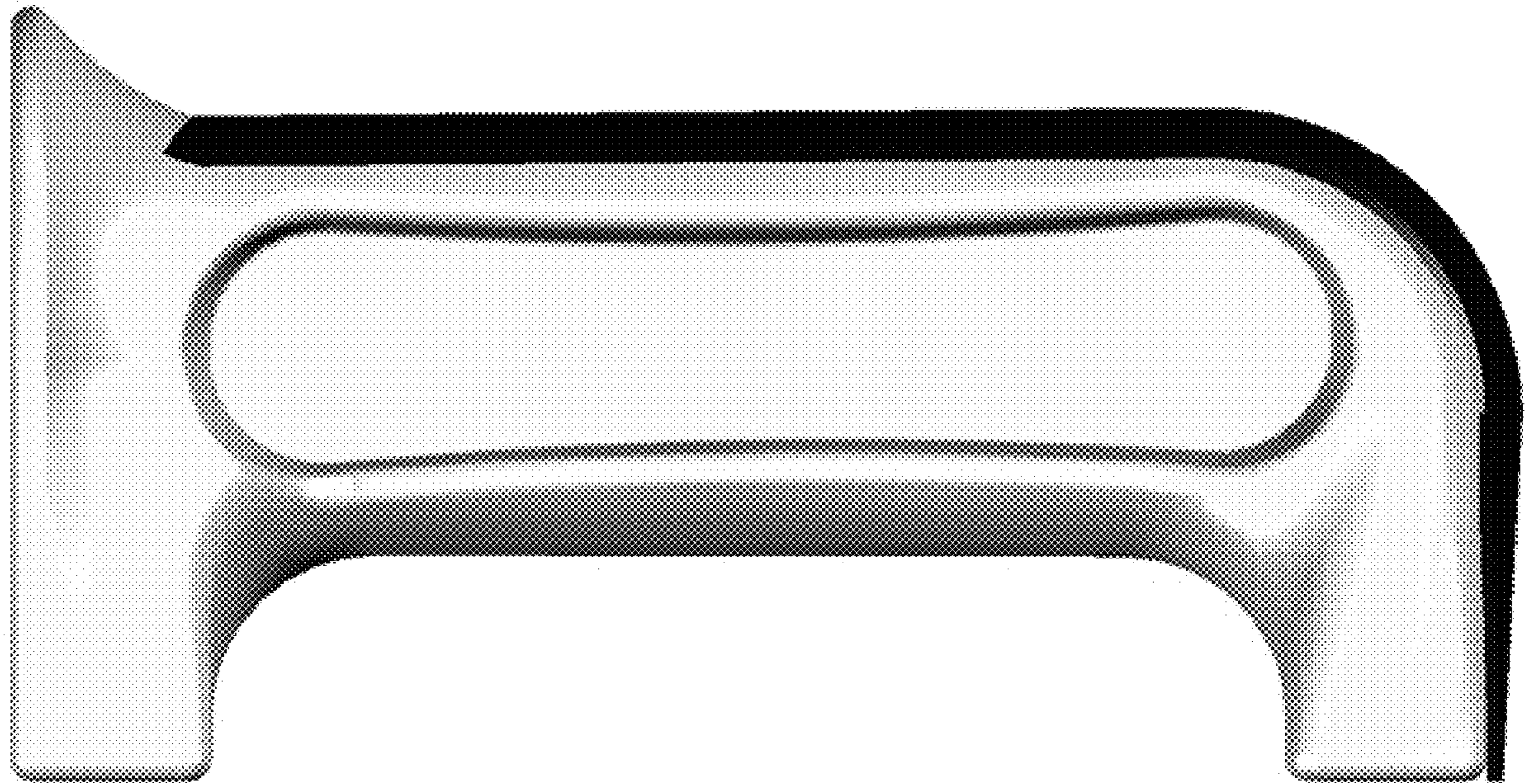


FIG. 11

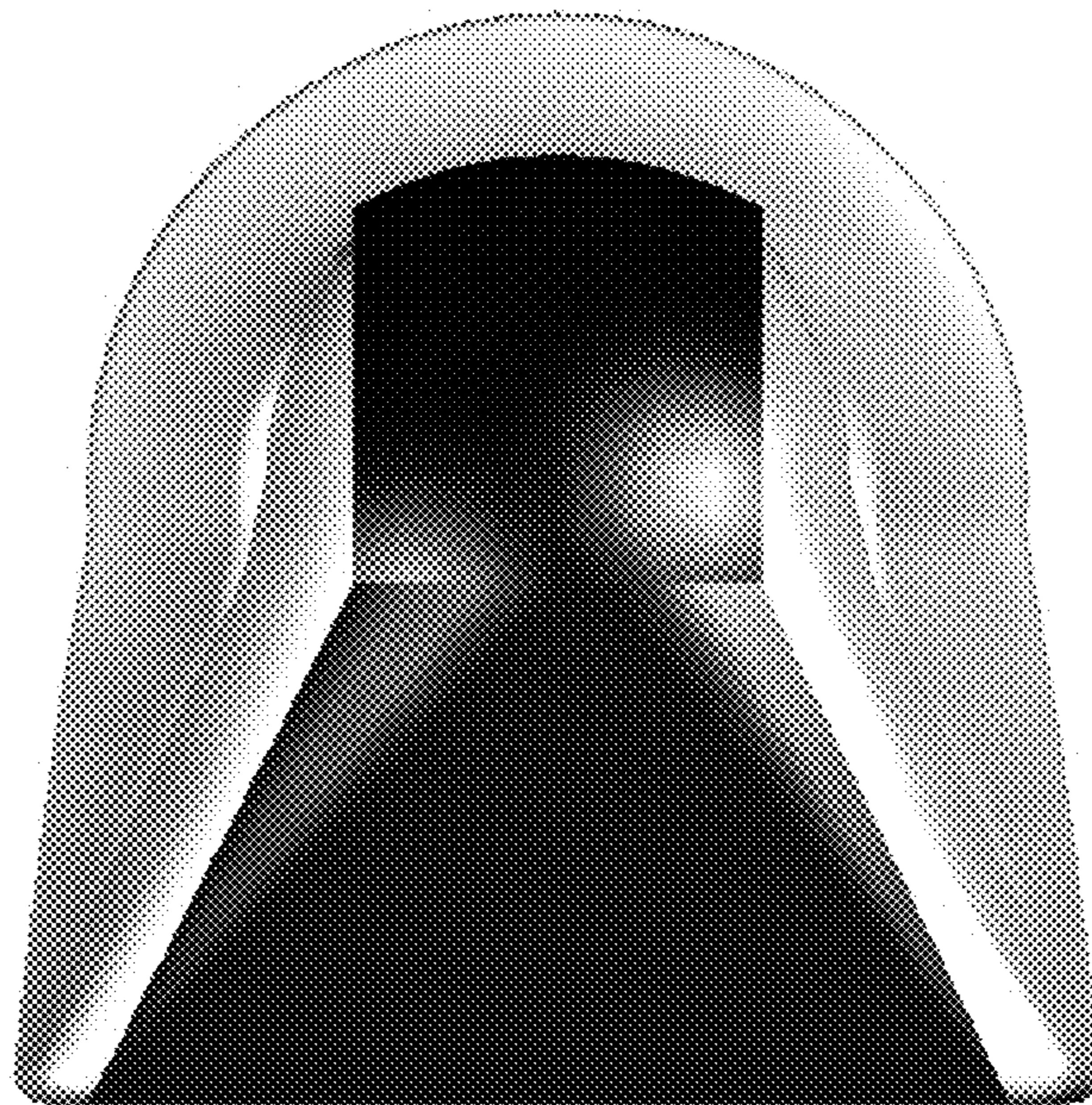


FIG. 12



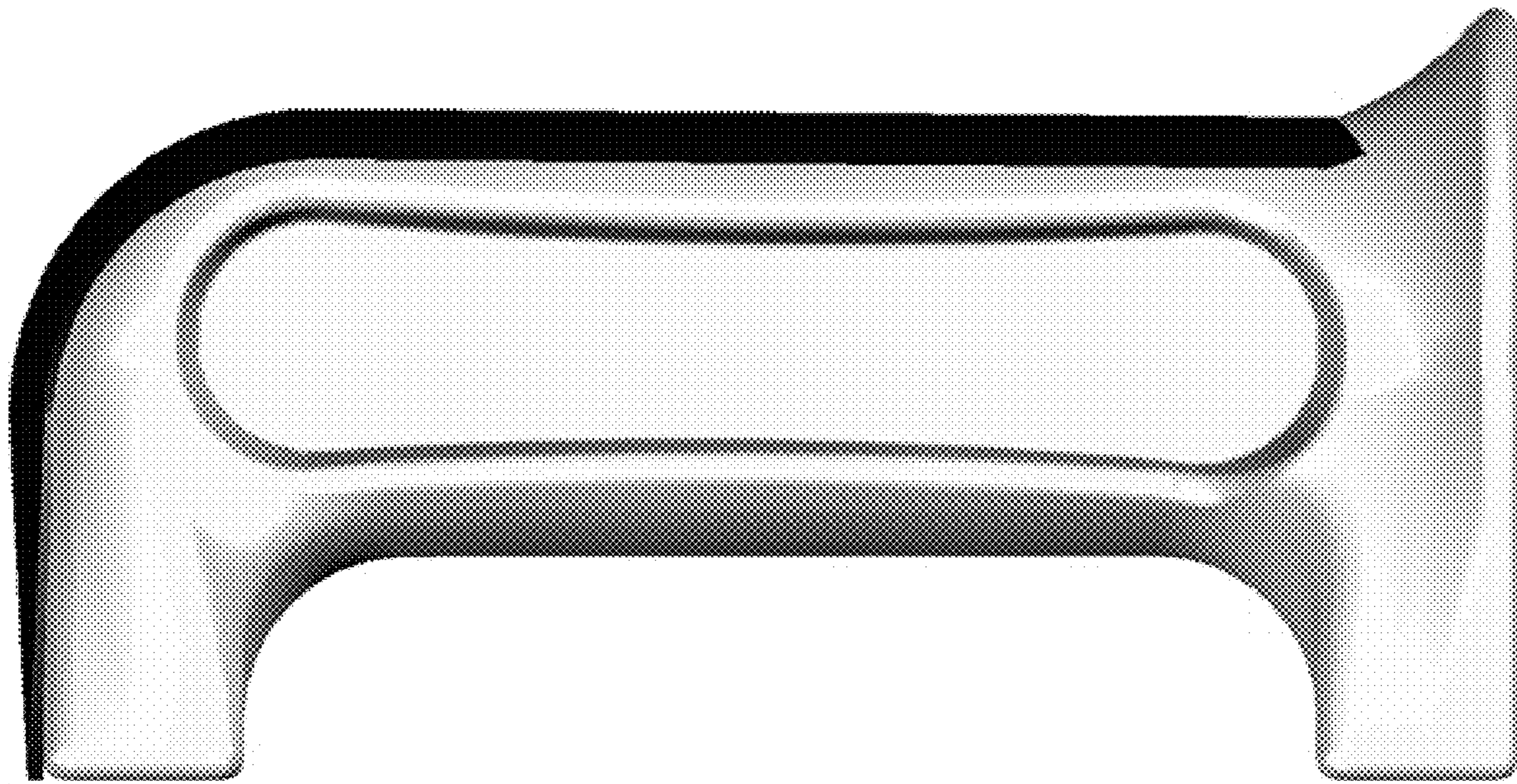


FIG. 13

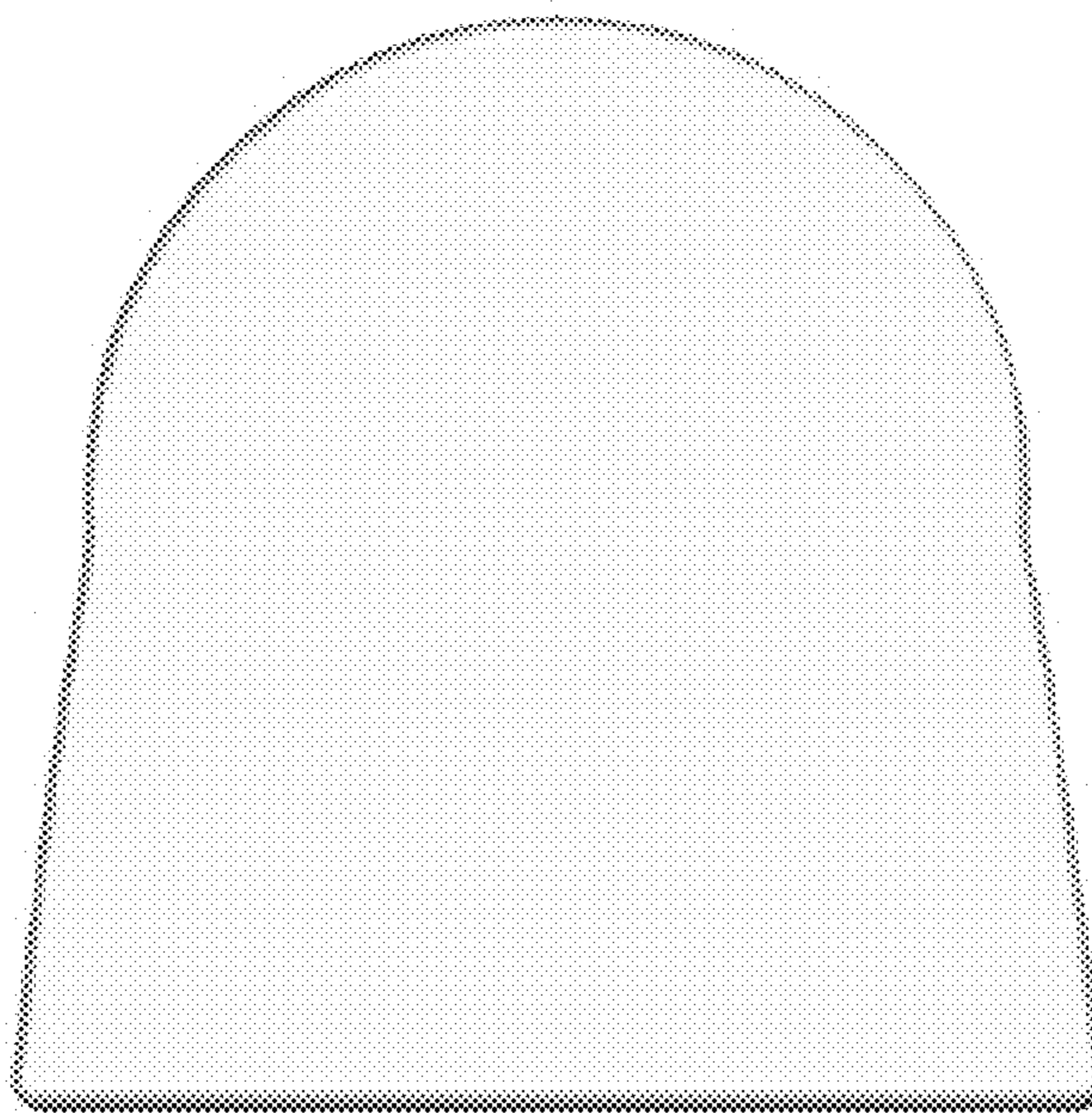


FIG. 14

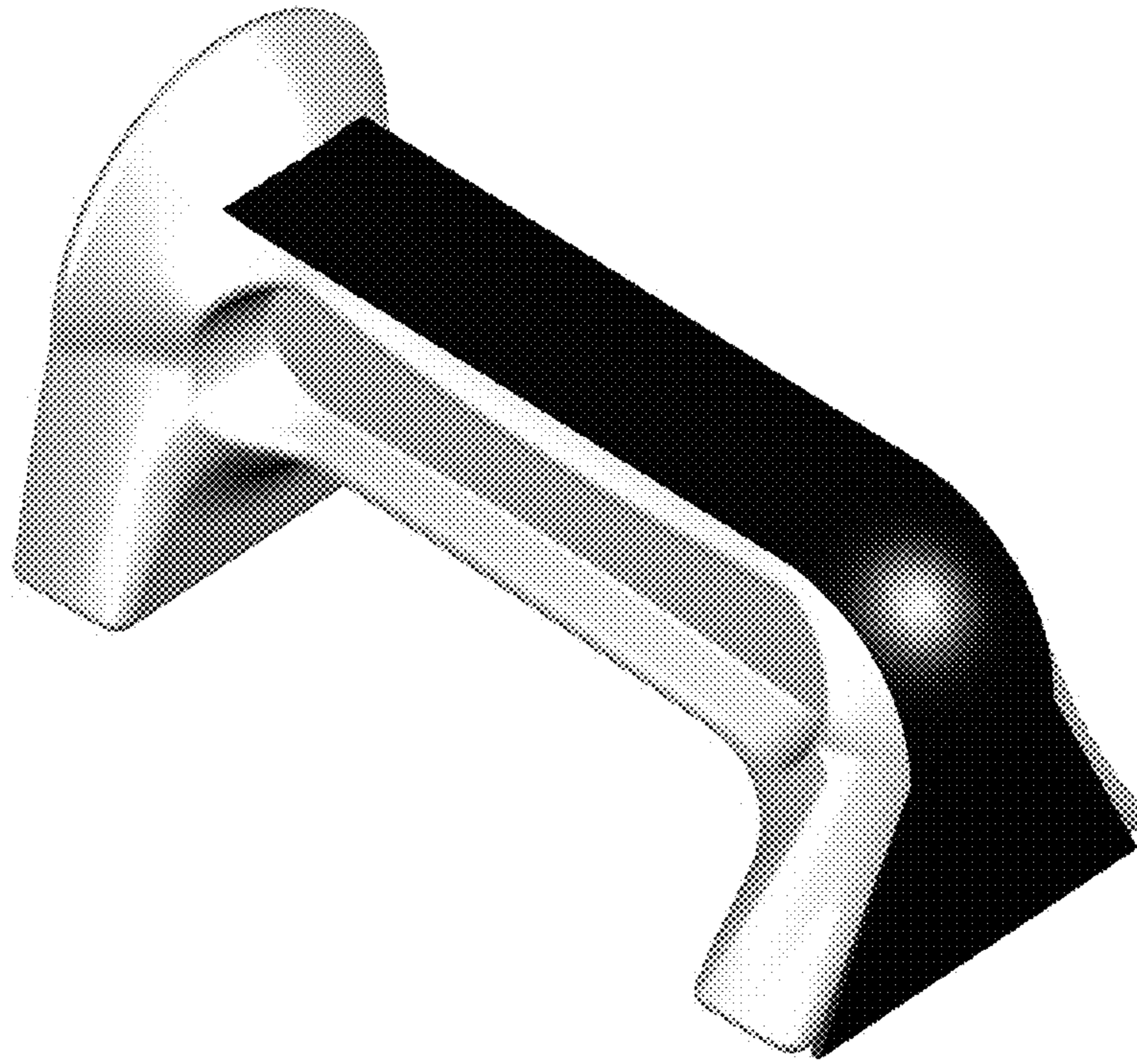


FIG. 15

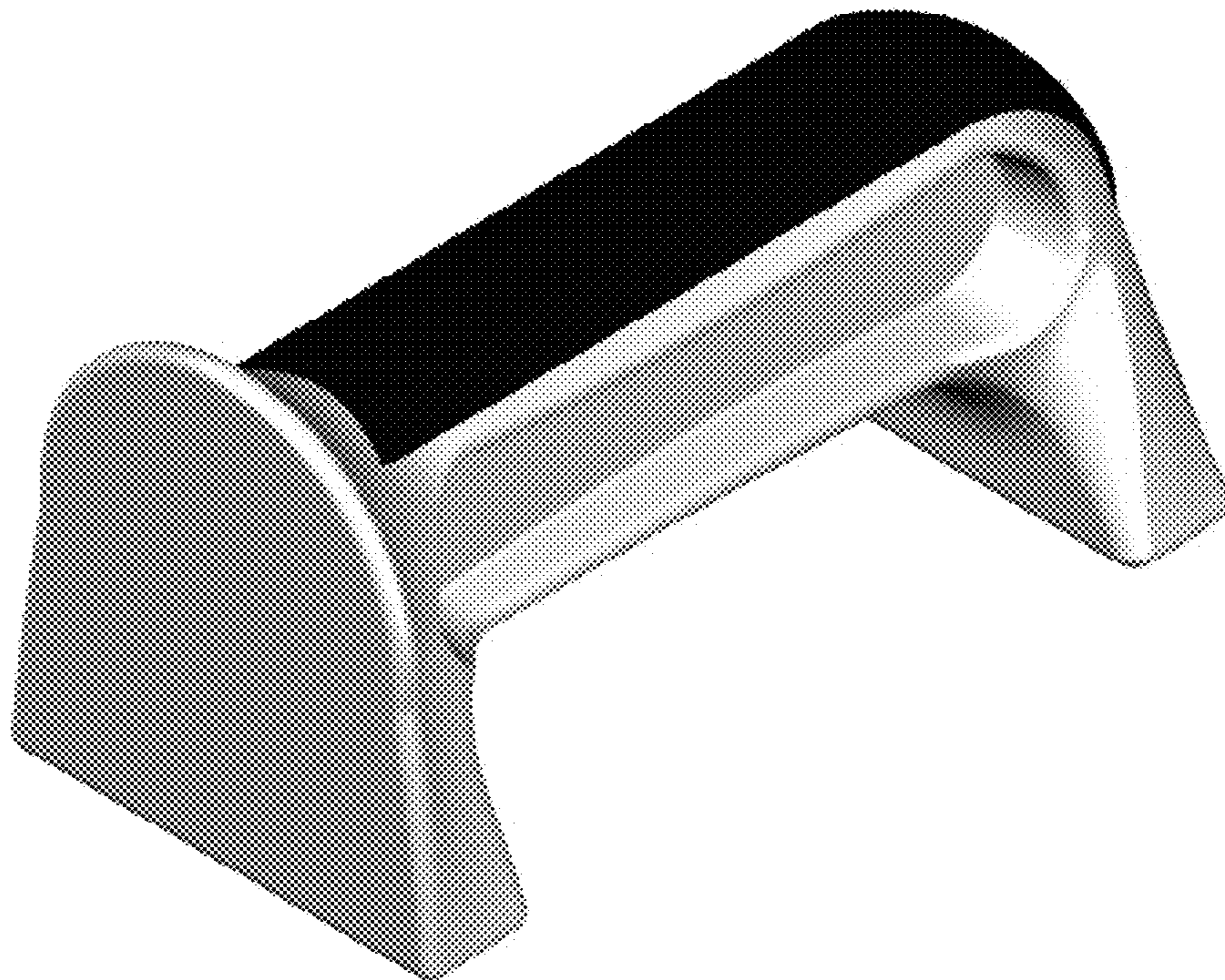


FIG. 16



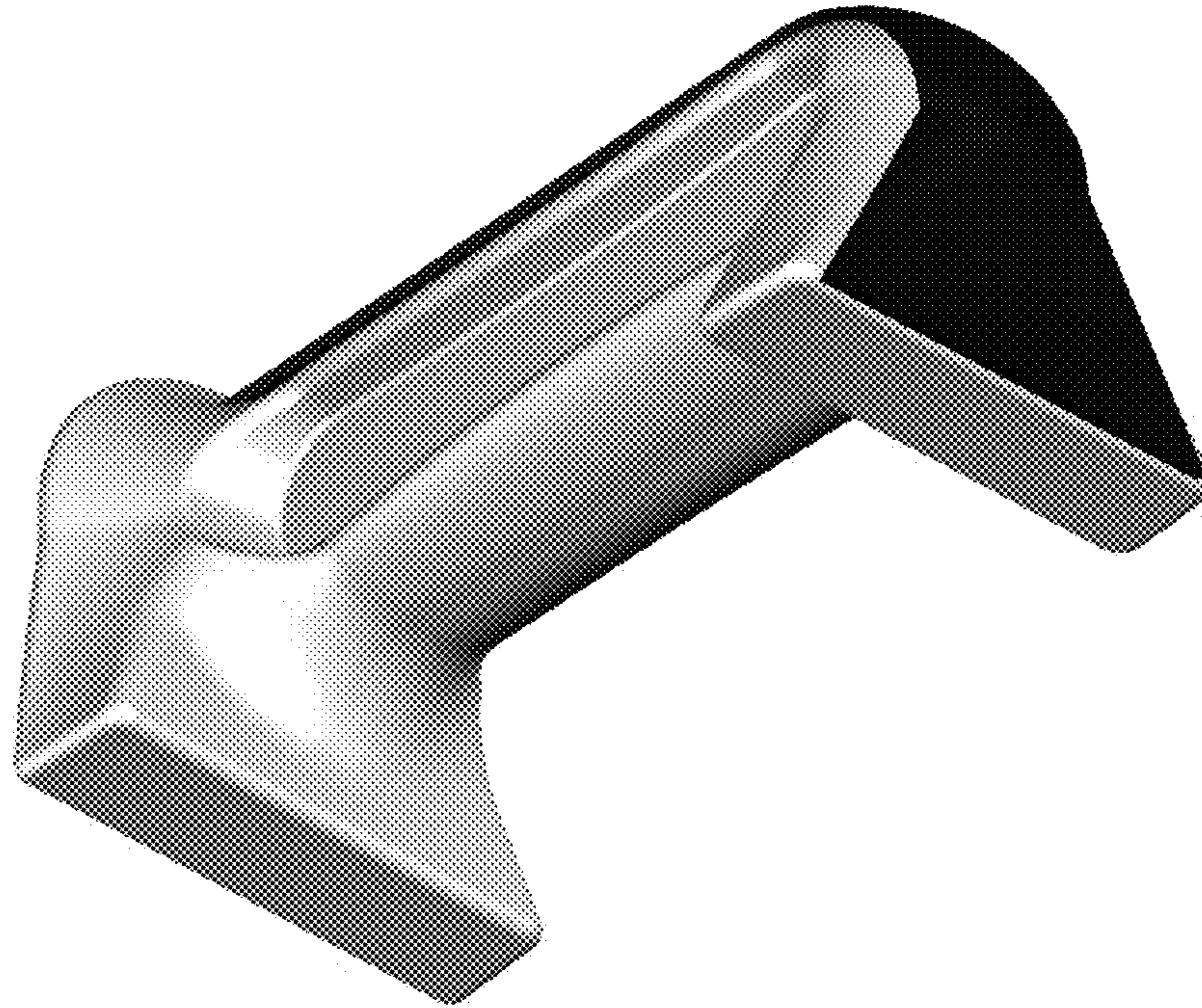


FIG. 17



FIG. 18



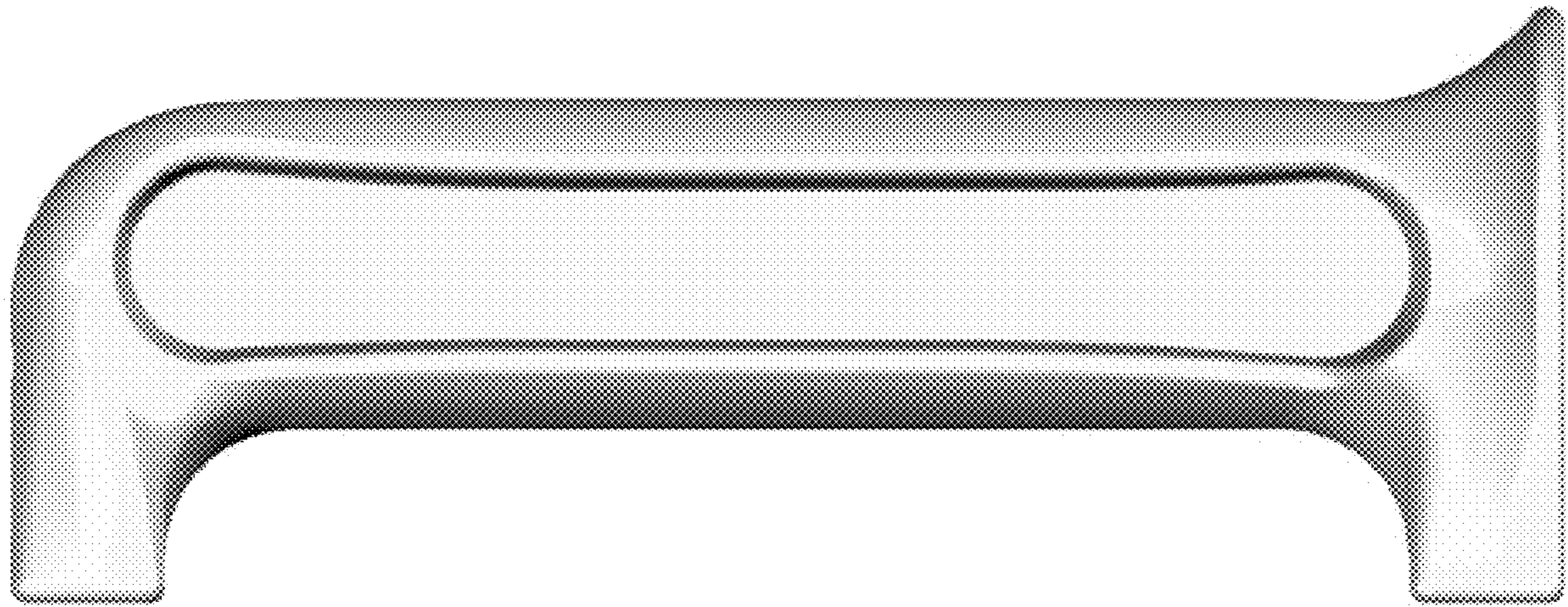


FIG. 19

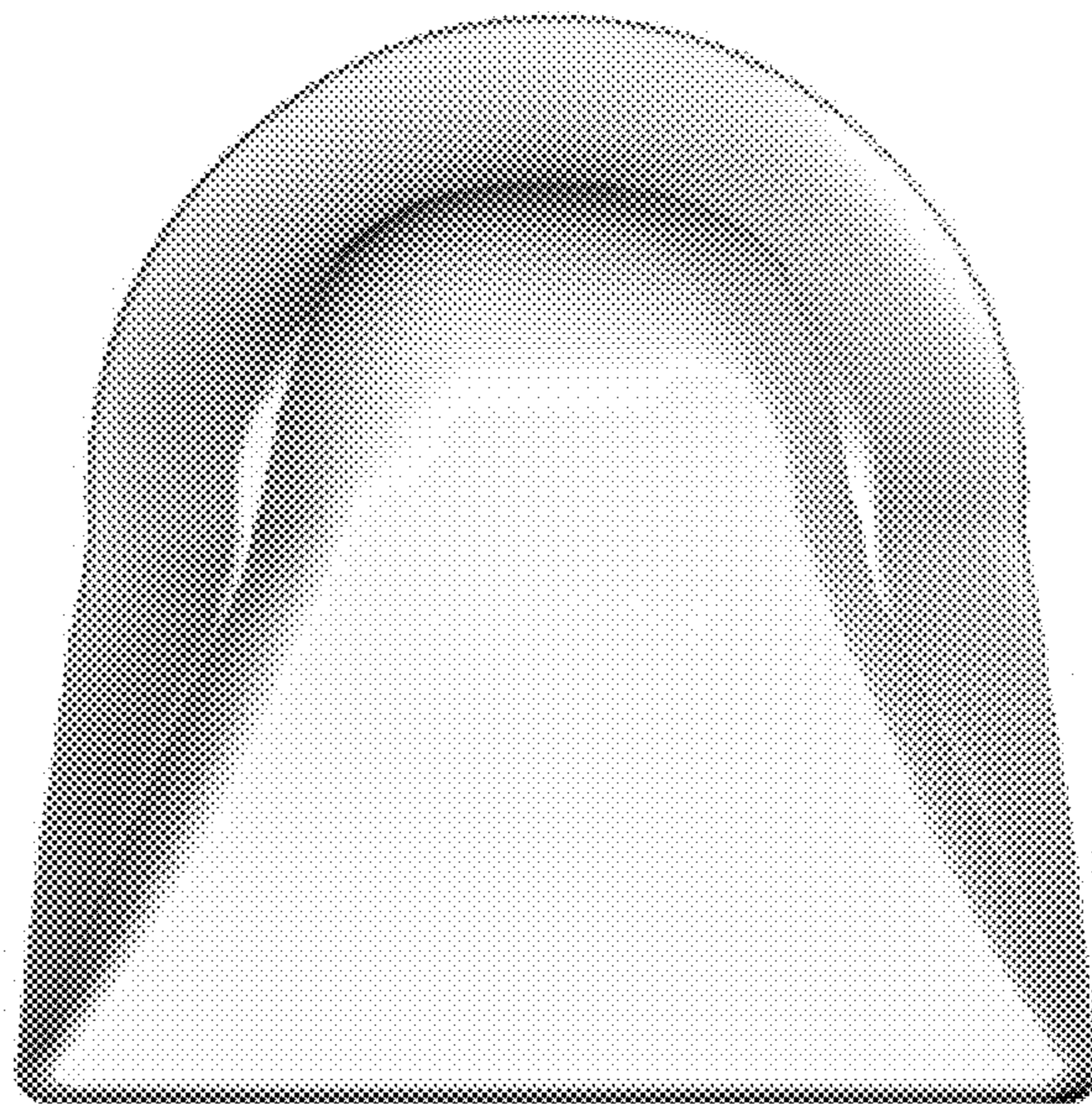


FIG. 20

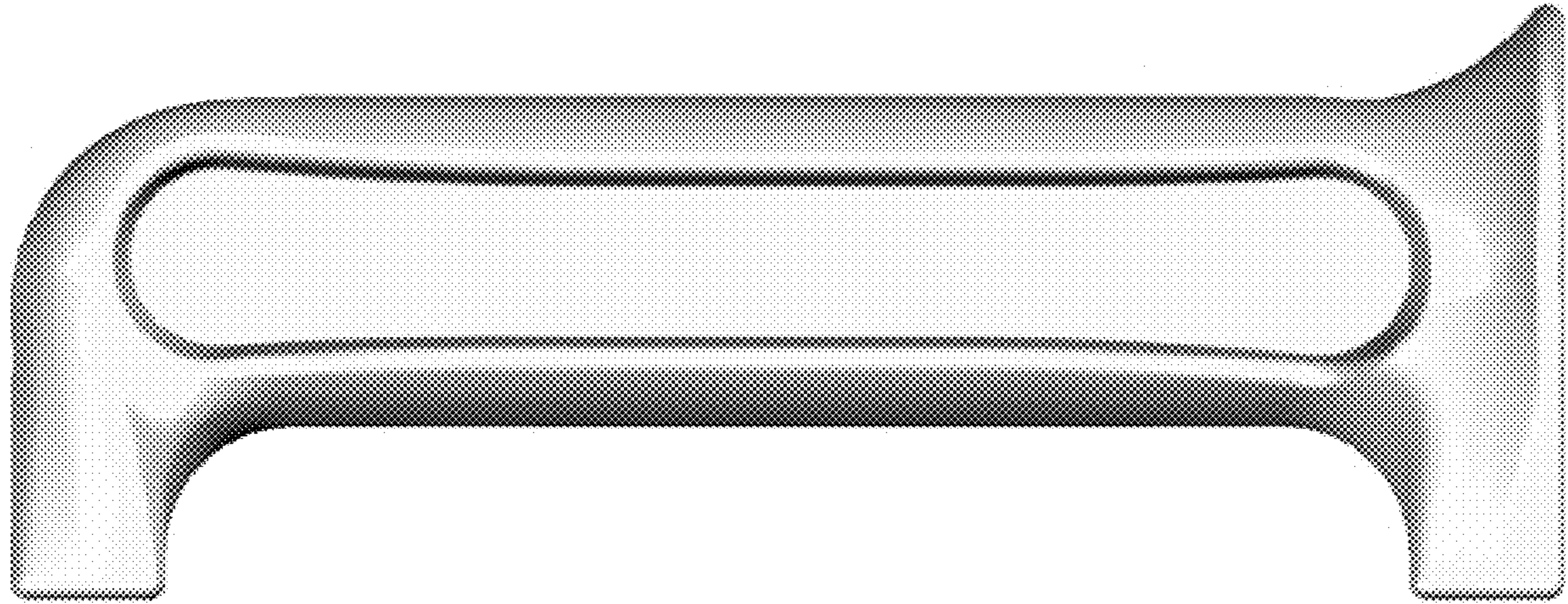


FIG. 21

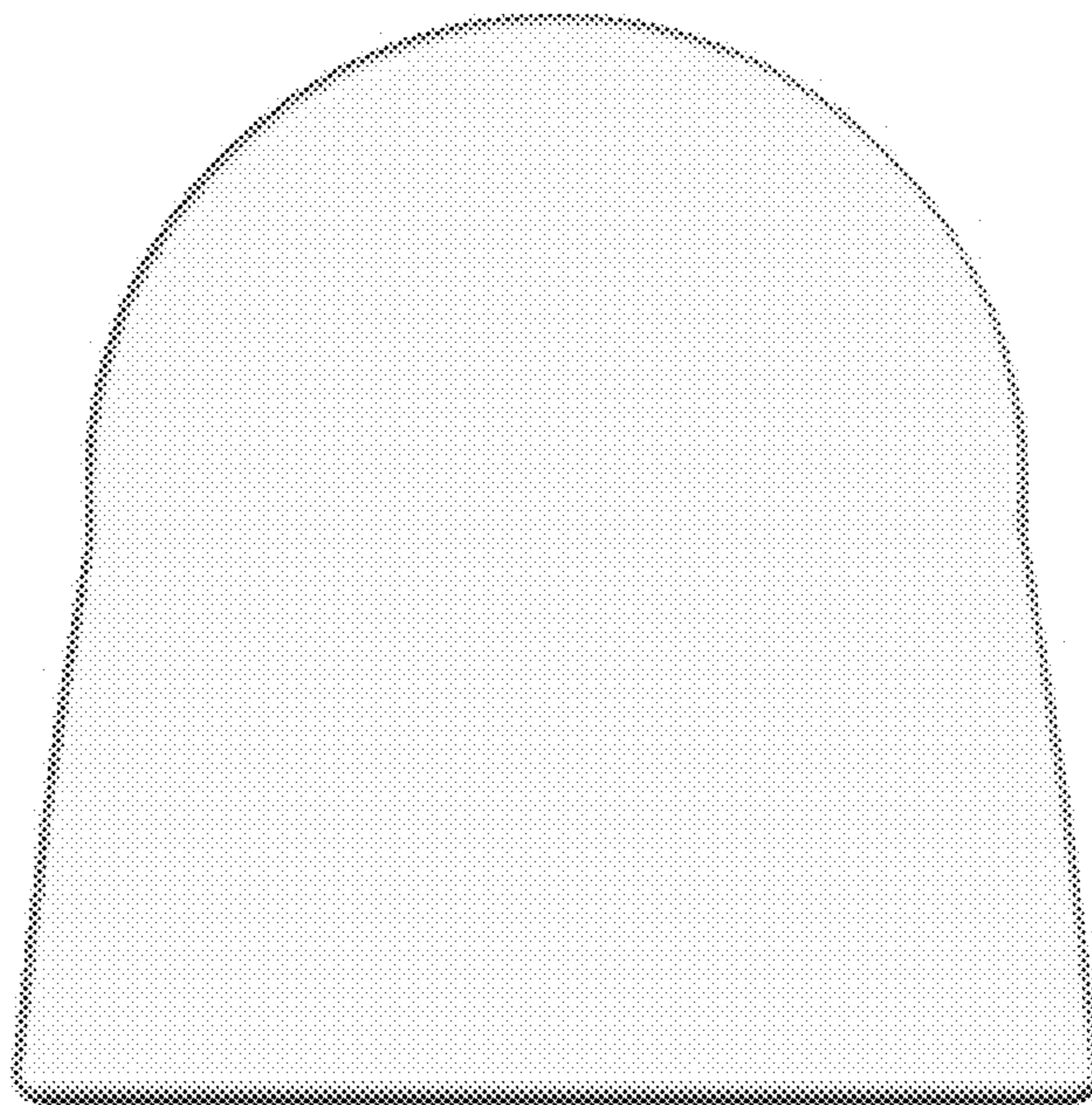


FIG. 22



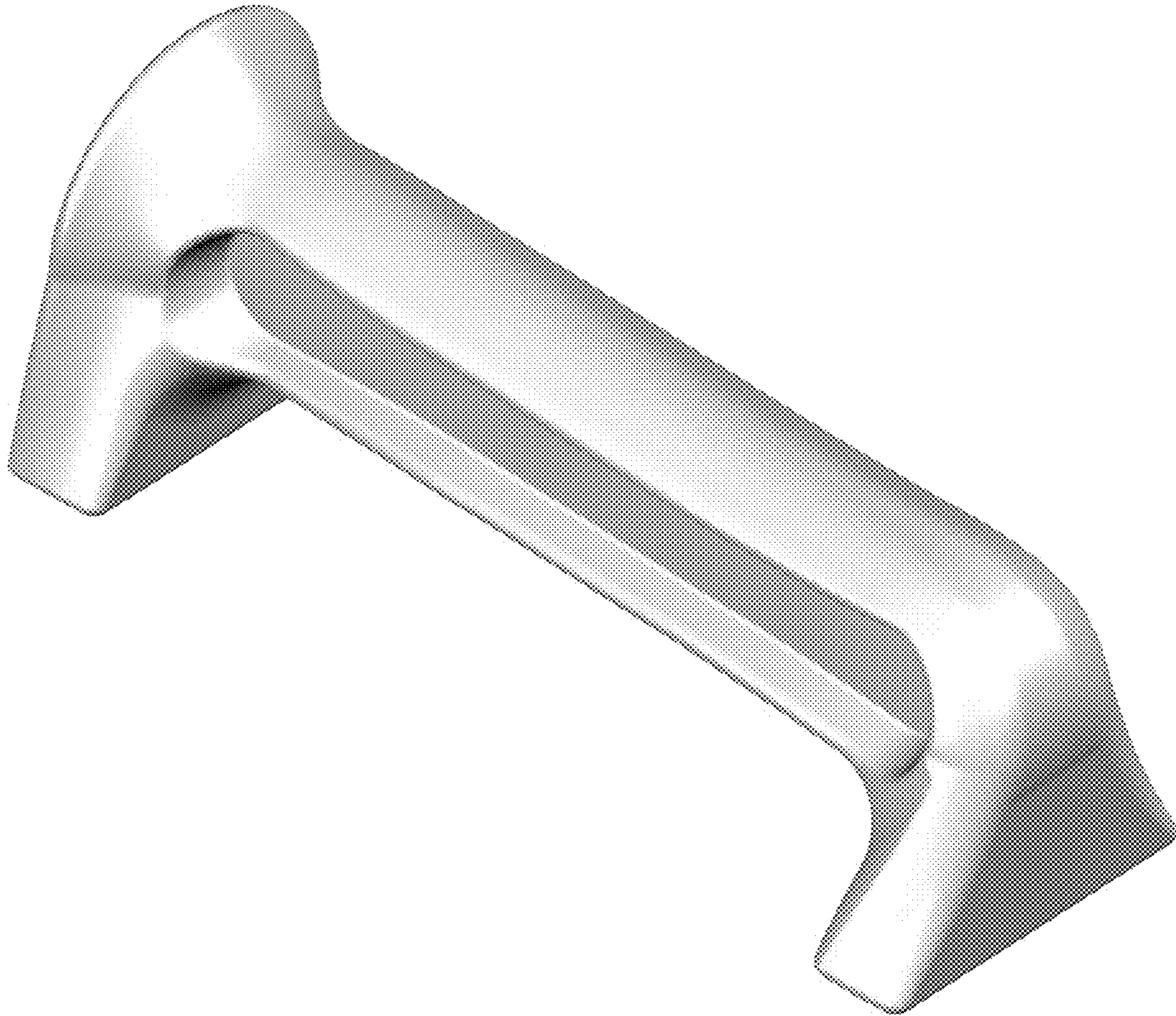


FIG. 23

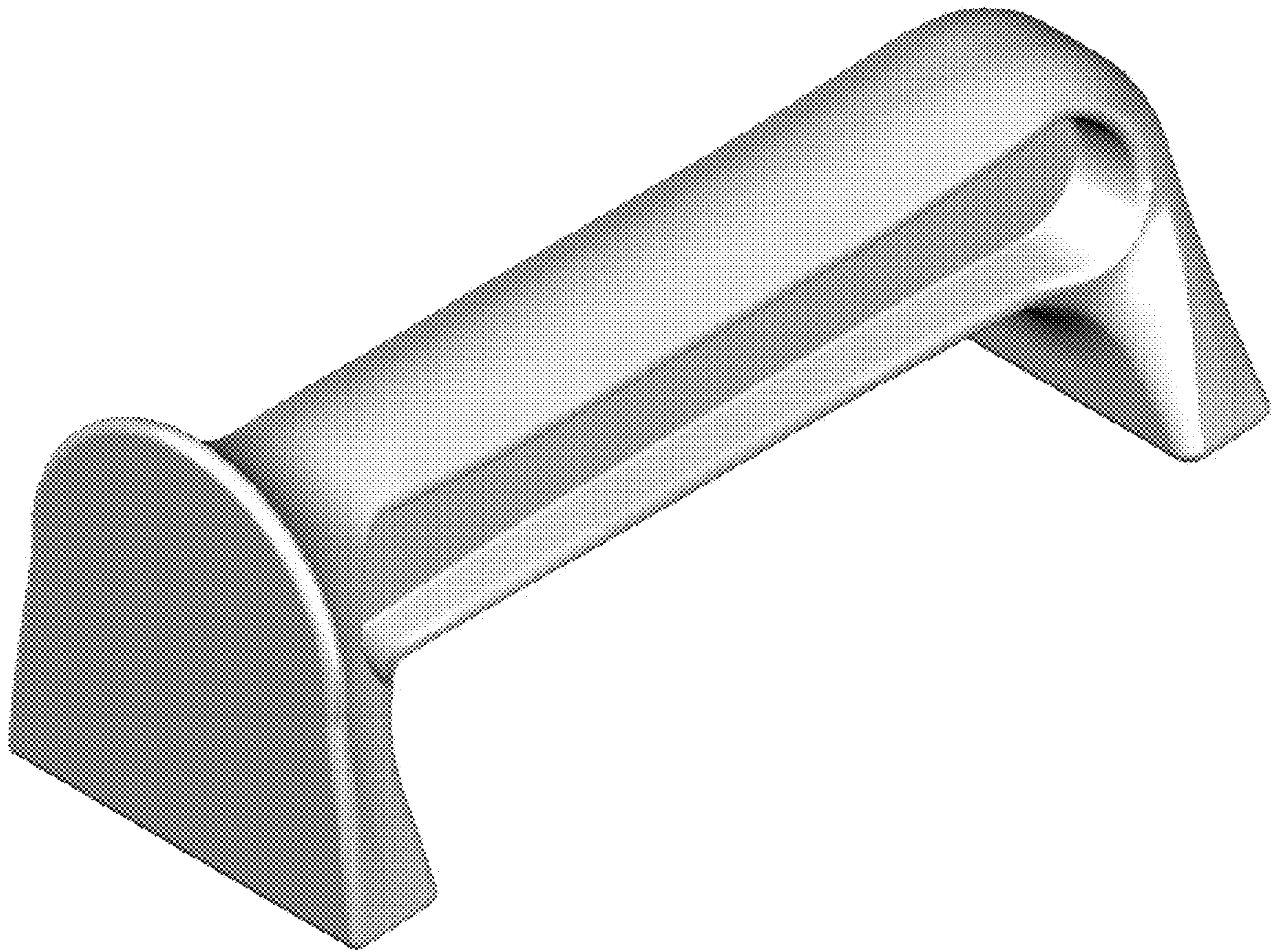


FIG. 24



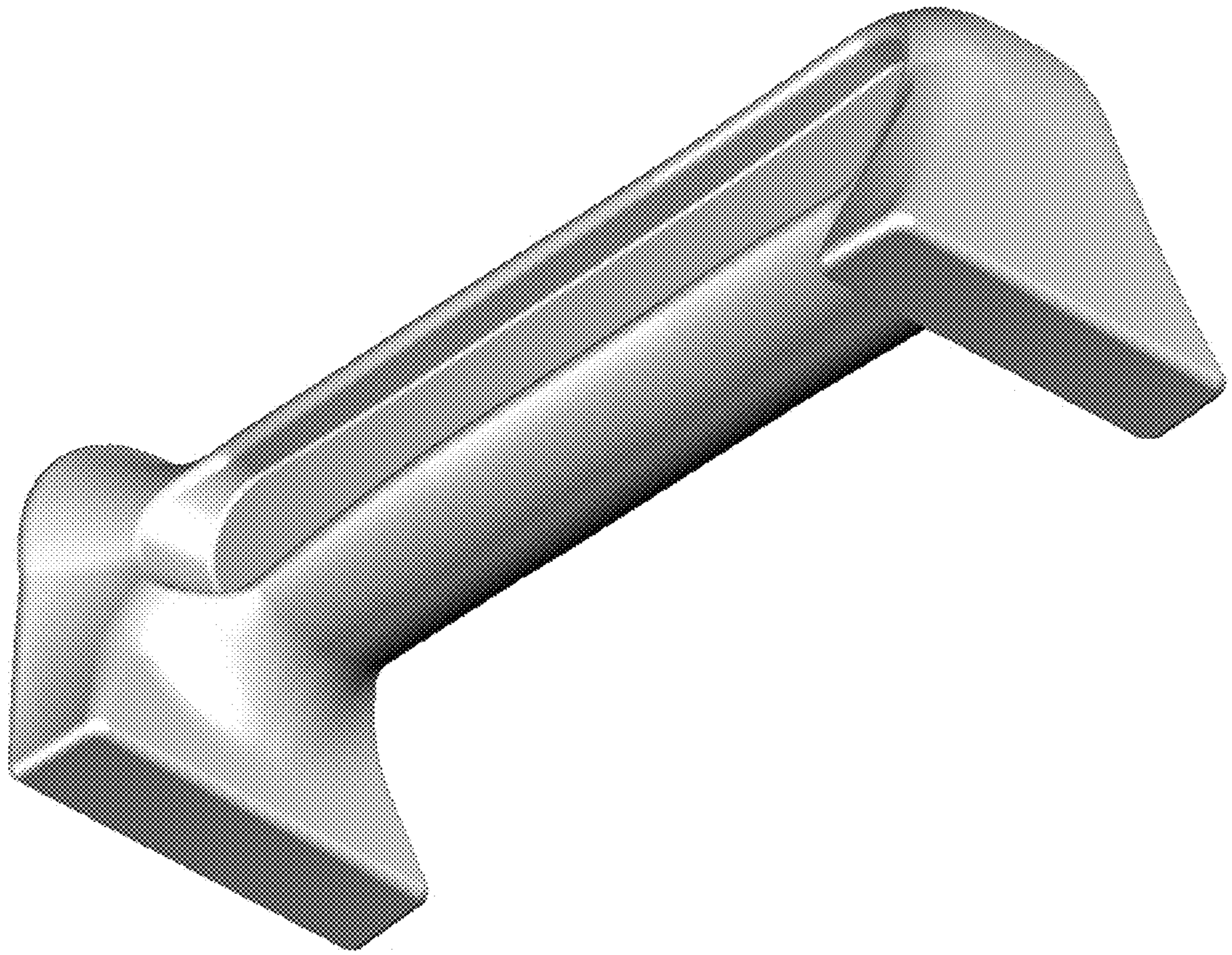


FIG. 25



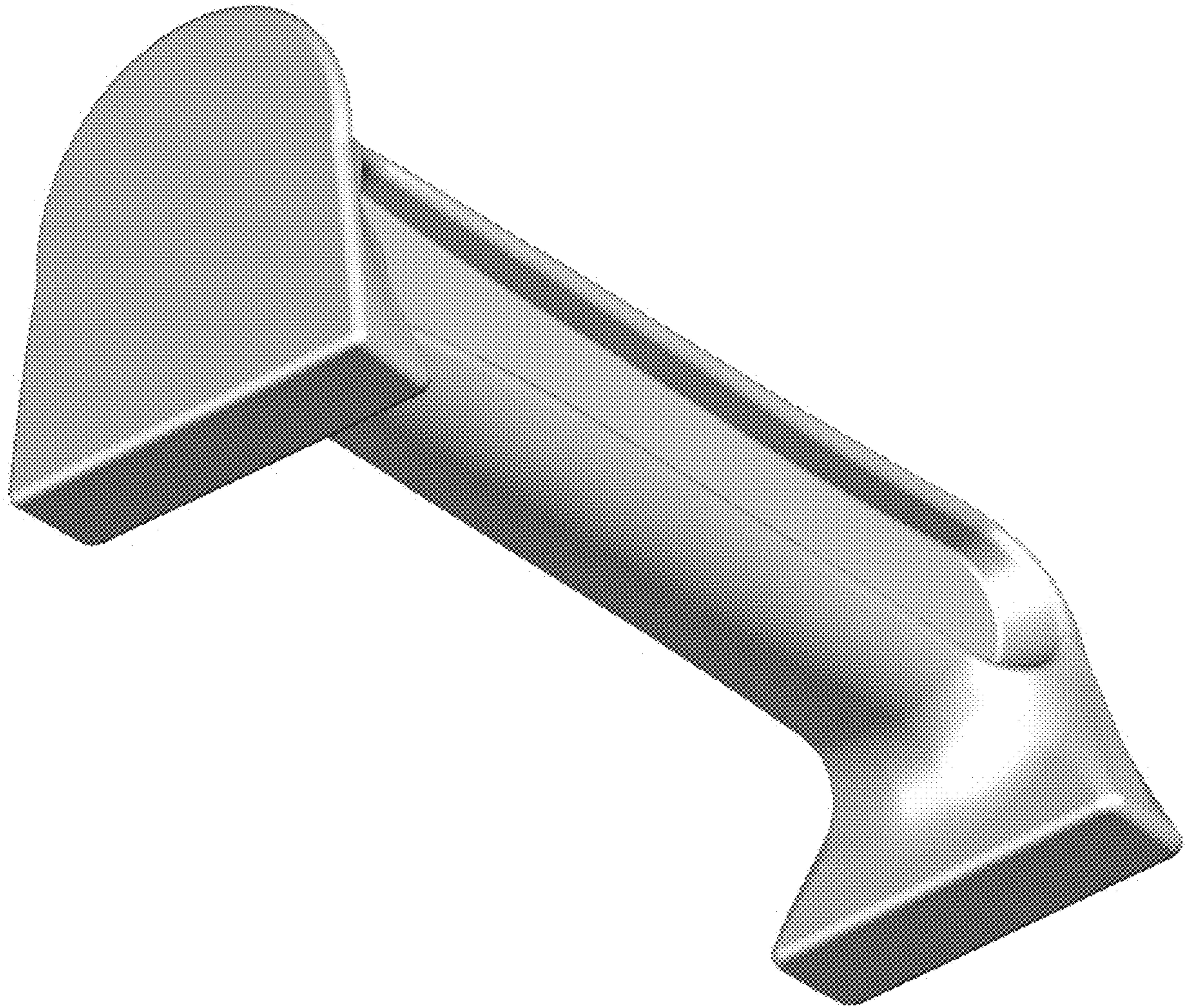


FIG. 26