



US00D908819S

(12) **United States Design Patent** (10) **Patent No.:** **US D908,819 S**
Flick (45) **Date of Patent:** **** Jan. 26, 2021**

(54) **KETTLEBELL**
(71) Applicant: **NAUTILUS, INC.**, Vancouver, WA (US)
(72) Inventor: **Edward L. Flick**, Brush Prairie, WA (US)

D796,592 S 9/2017 Towley
D832,942 S 11/2018 Arceta
D879,561 S 3/2020 Balle
D879,888 S * 3/2020 Flick D21/680
D888,848 S * 6/2020 Owusu D21/680
D895,035 S * 9/2020 Flick D21/680
2007/0135274 A1 6/2007 Blateri
(Continued)

(73) Assignee: **Nautilus, Inc.**, Vancouver, WA (US)

(**) Term: **15 Years**

(21) Appl. No.: **29/748,666**

(22) Filed: **Aug. 31, 2020**

Related U.S. Application Data

(63) Continuation of application No. 29/725,921, filed on Feb. 27, 2020, now Pat. No. Des. 895,035, which is a continuation of application No. 29/662,554, filed on Sep. 6, 2018, now Pat. No. Des. 879,888.

(51) **LOC (13) Cl.** **21-02**
(52) **U.S. Cl.**
USPC **D21/680**

(58) **Field of Classification Search**
USPC D21/662, 678, 679, 680-682, 684
CPC A63B 21/00065; A63B 21/075; A63B 21/00726; A63B 21/072; A63B 21/00728
See application file for complete search history.

(56) **References Cited**

U.S. PATENT DOCUMENTS

4,659,079 A 4/1987 Blanchard
D595,392 S 6/2009 Verlinden
7,762,933 B1 7/2010 Yu
D628,251 S 11/2010 Krull et al.
7,981,013 B2 7/2011 Krull
D653,716 S 2/2012 Lin
D692,509 S 10/2013 Kessler
D745,644 S 12/2015 Burke
D745,645 S 12/2015 Burke

OTHER PUBLICATIONS

“Adjustable Titan Fitness kettlebell” May 1, 2016, available online at: https://www.amazon.com/dp/B01B6RZSH0/ref=cm_sw_r_tw_dp_U_x_v.wGEbA9PBBV5.

(Continued)

Primary Examiner — Michael C Stout

Assistant Examiner — Melvin L Davis

(74) *Attorney, Agent, or Firm* — Dorsey & Whitney LLP

(57) **CLAIM**

I claim the ornamental design for a kettlebell, as shown and described.

DESCRIPTION

FIG. 1 shows a top isometric view of a kettlebell in accordance with the present design.

FIG. 2 shows a bottom isometric view of the kettlebell in FIG. 1.

FIG. 3 shows a front elevation view thereof.

FIG. 4 shows a rear elevation view thereof.

FIG. 5 shows a right side elevation view thereof.

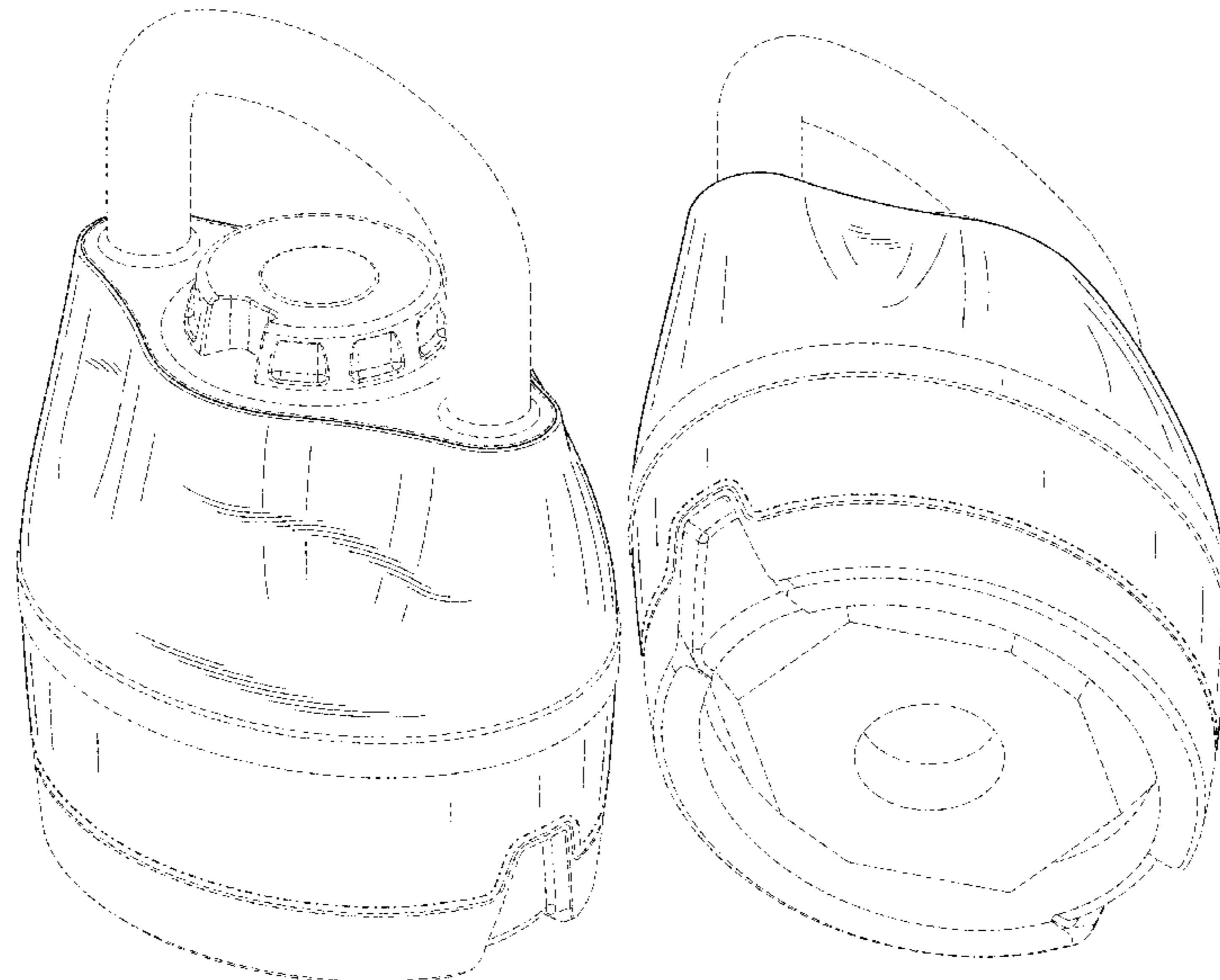
FIG. 6 shows a left side elevation view thereof.

FIG. 7 shows a top plan view thereof; and,

FIG. 8 shows a bottom plan view thereof.

The even broken lines illustrate portions of the kettlebell that form no part of the claimed design. The dash-dot broken lines illustrate boundaries that form no part of the claimed design.

1 Claim, 8 Drawing Sheets



(56)

References Cited

U.S. PATENT DOCUMENTS

2008/0081744 A1* 4/2008 Gormley A63B 21/072
482/93
2010/0331151 A1 12/2010 Signorile et al.
2011/0306475 A1 12/2011 Caswell et al.
2013/0040789 A1 2/2013 Kessler
2019/0240526 A1 8/2019 Owusu

OTHER PUBLICATIONS

“Adjustable Weight Set for Exercise” Dec. 4, 2017, Amazon.com, available online at: https://www.amazon.com/dp/B074N5392C/ref=cm_sw_r_tw_dp_U_x_aexGEbR8YN0G6.
“Sterilite 19859806 30-Quart Ultra Box, White Lid See-Through Base” Nov. 10, 2015, Amazon.com, available online at: <https://www.amazon.in/dp/B002BA5F5C>.
“Tupperware Modular Mate Oval Set, 4-Pieces” Sep. 21, 2015, available online at: <https://www.amazon.com/dp/B00KFC4AXQ/>.
Bowflex® 840 Kettlebell Product Overview: available online at: <https://youtu.be/mJRPiILr3Ek>, Aug. 12, 2019.
U.S. Appl. No. 29/725,921 titled “Kettlebell” filed Feb. 27, 2020.

* cited by examiner

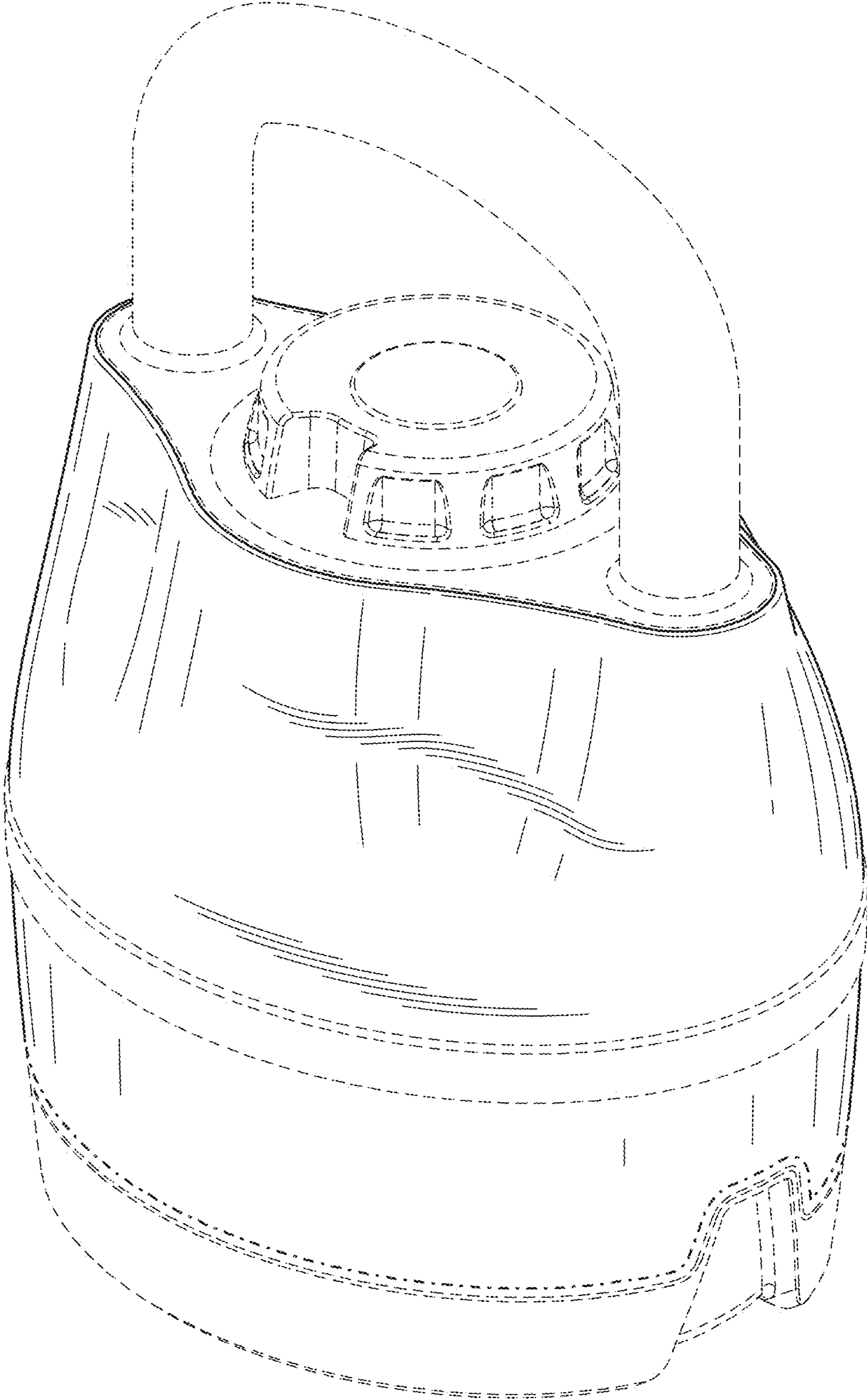


FIG. 1

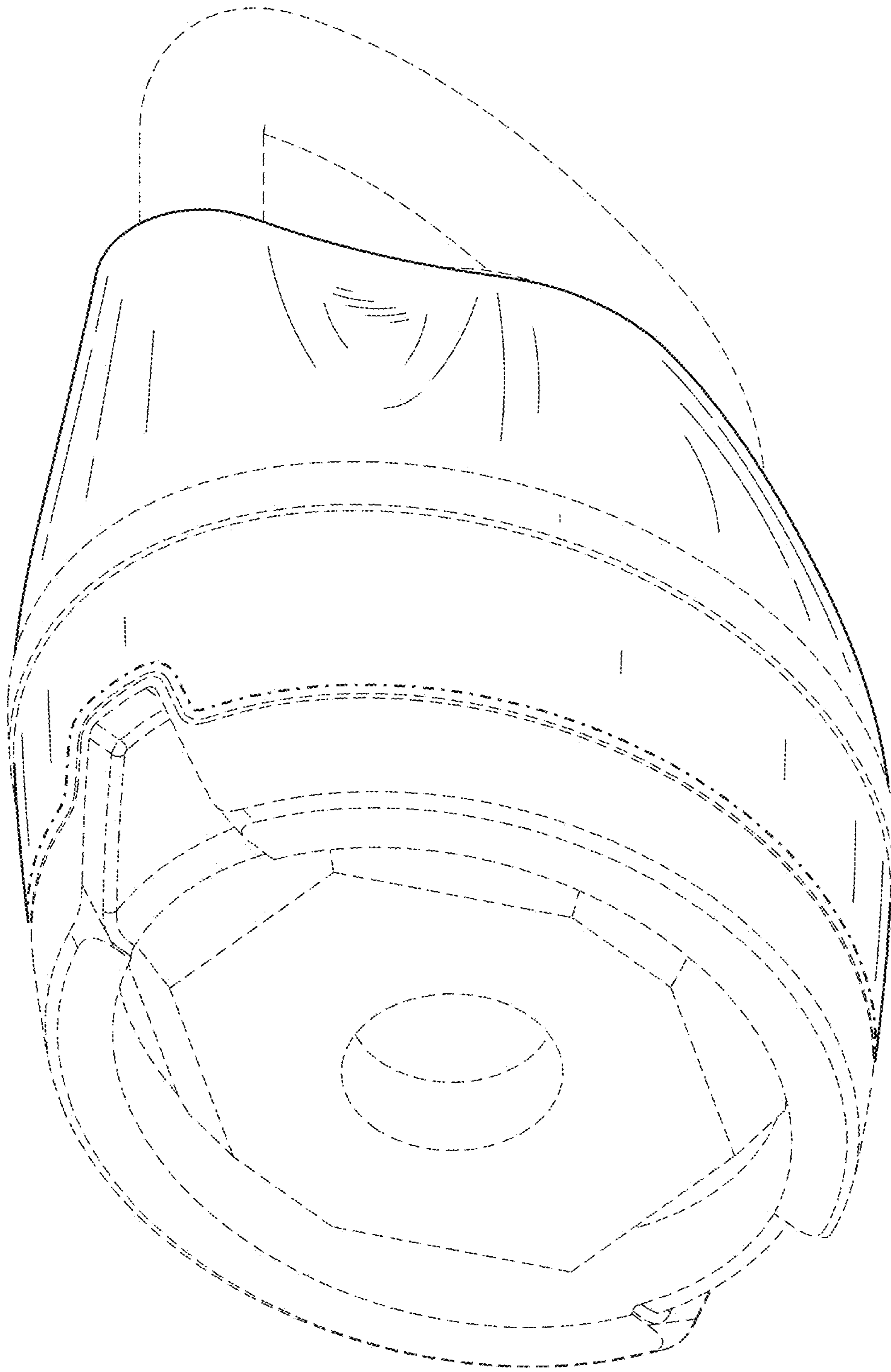


FIG. 2

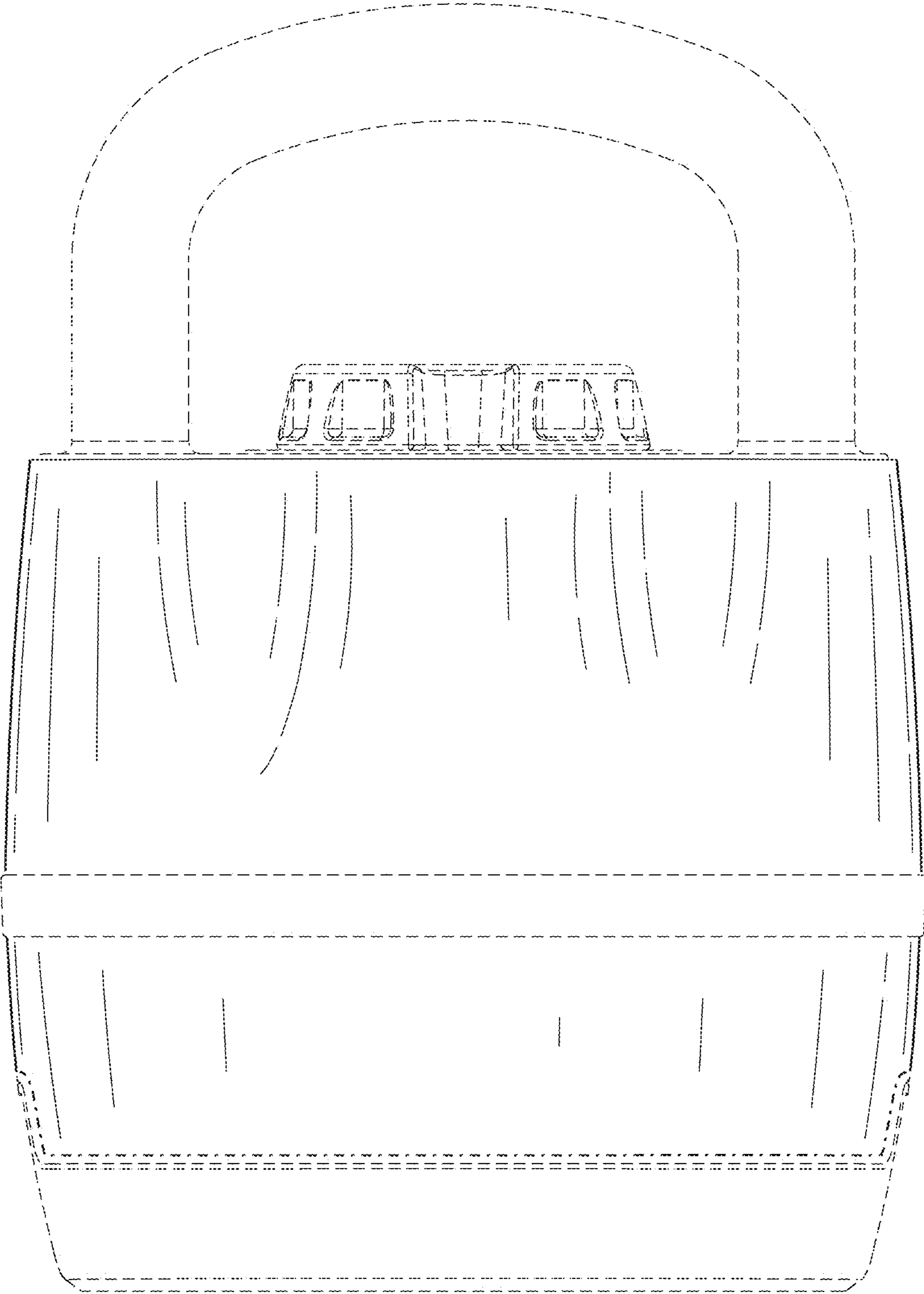


FIG. 3

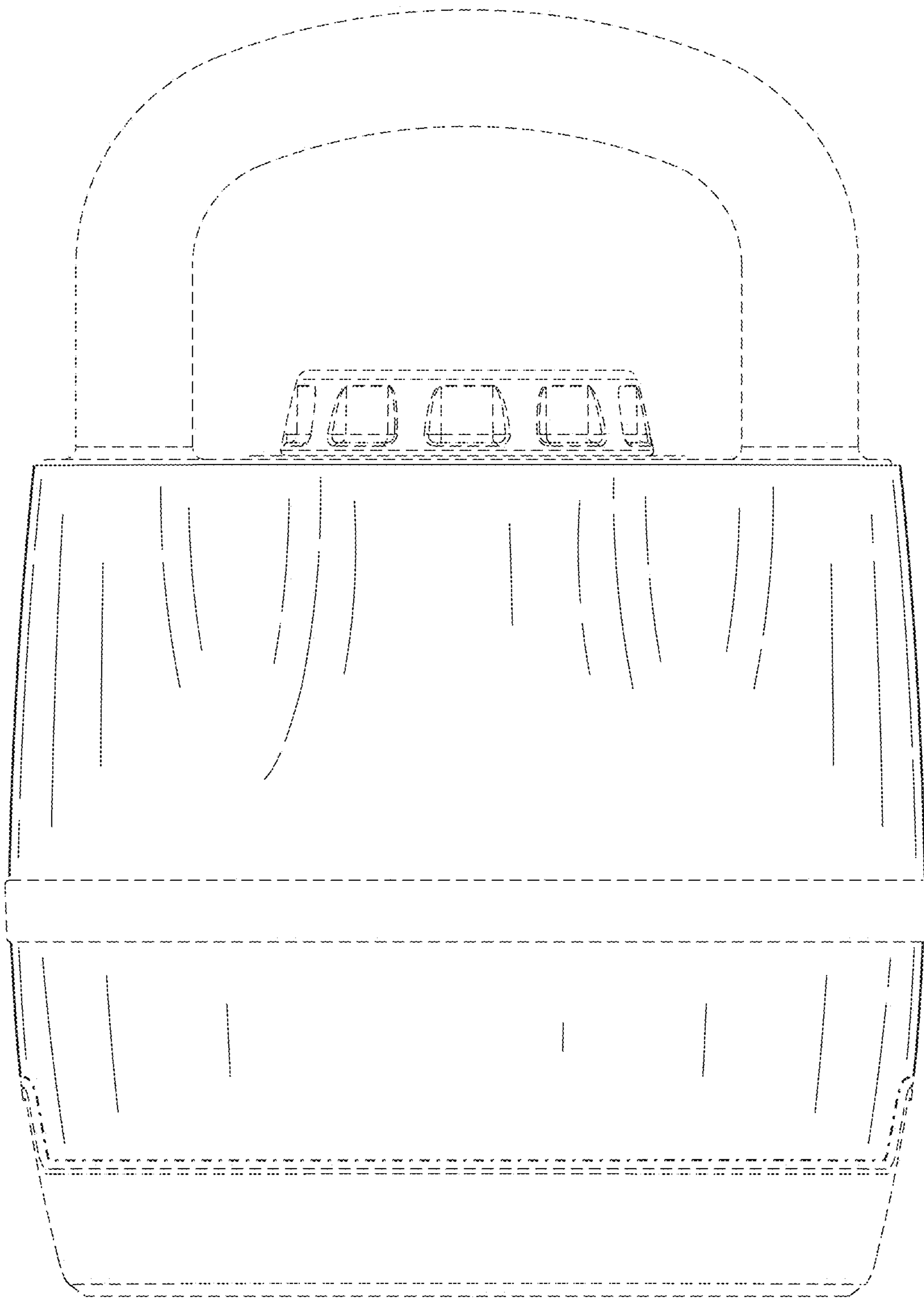


FIG. 4

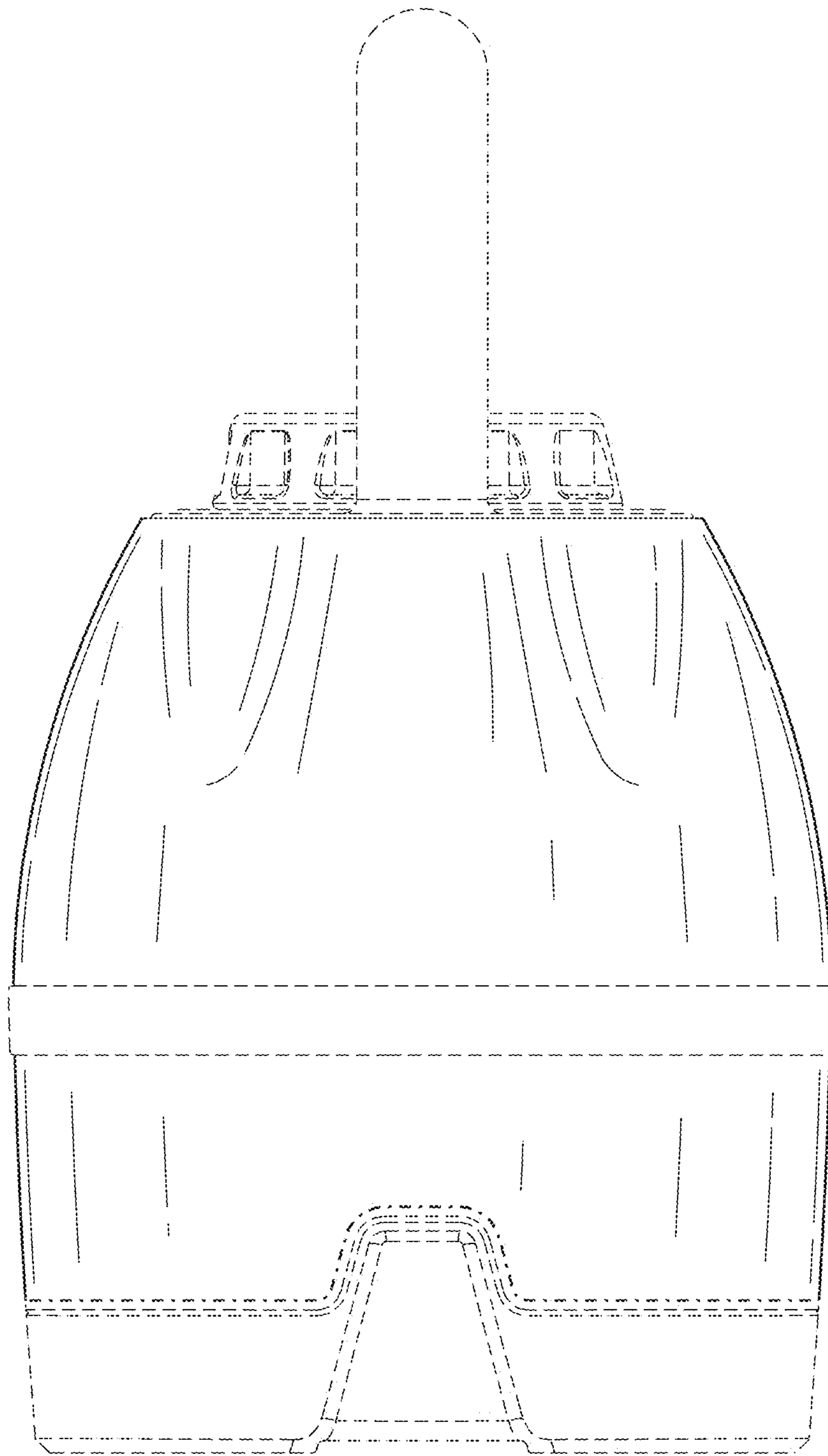


FIG. 5

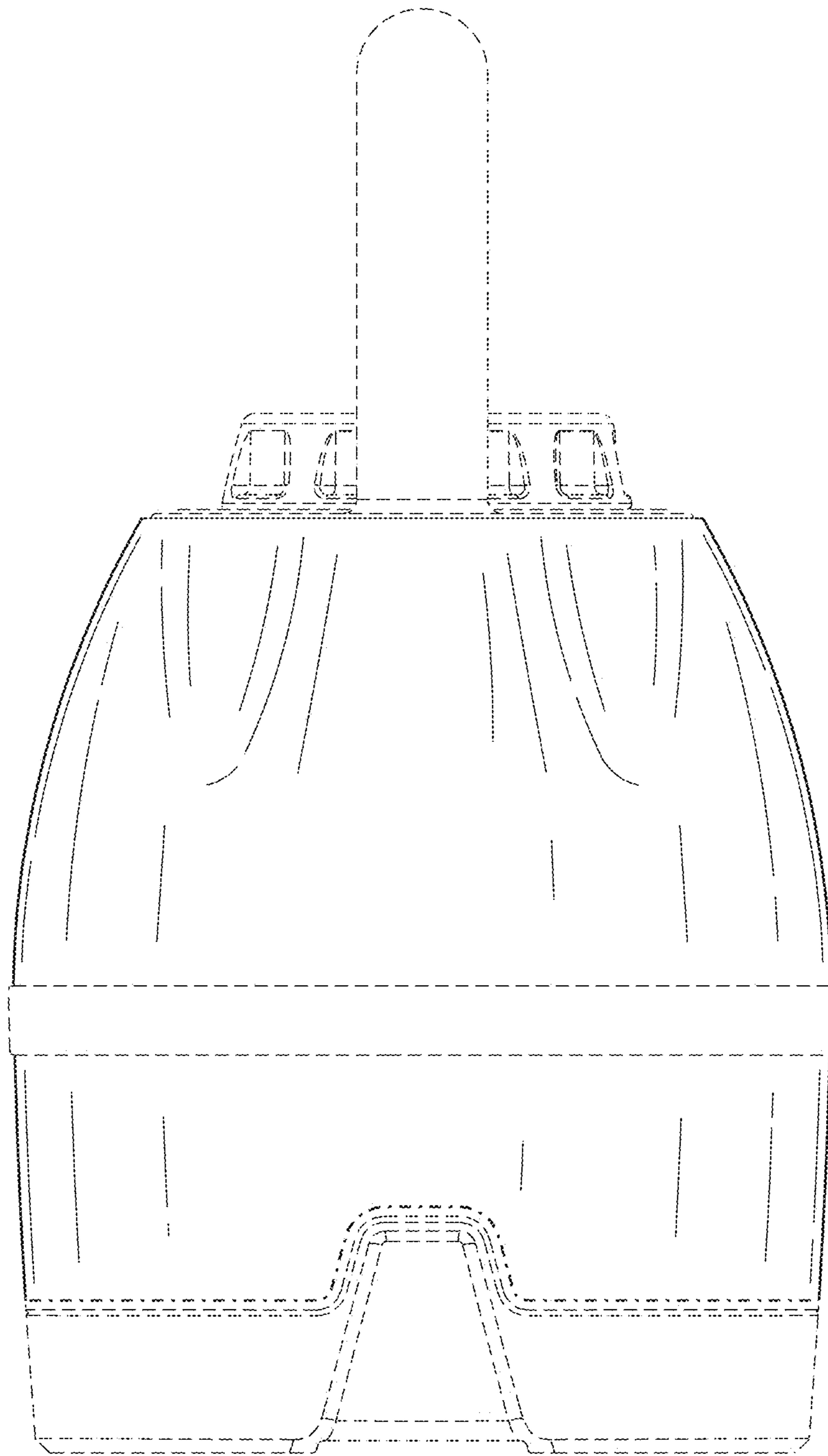


FIG. 6

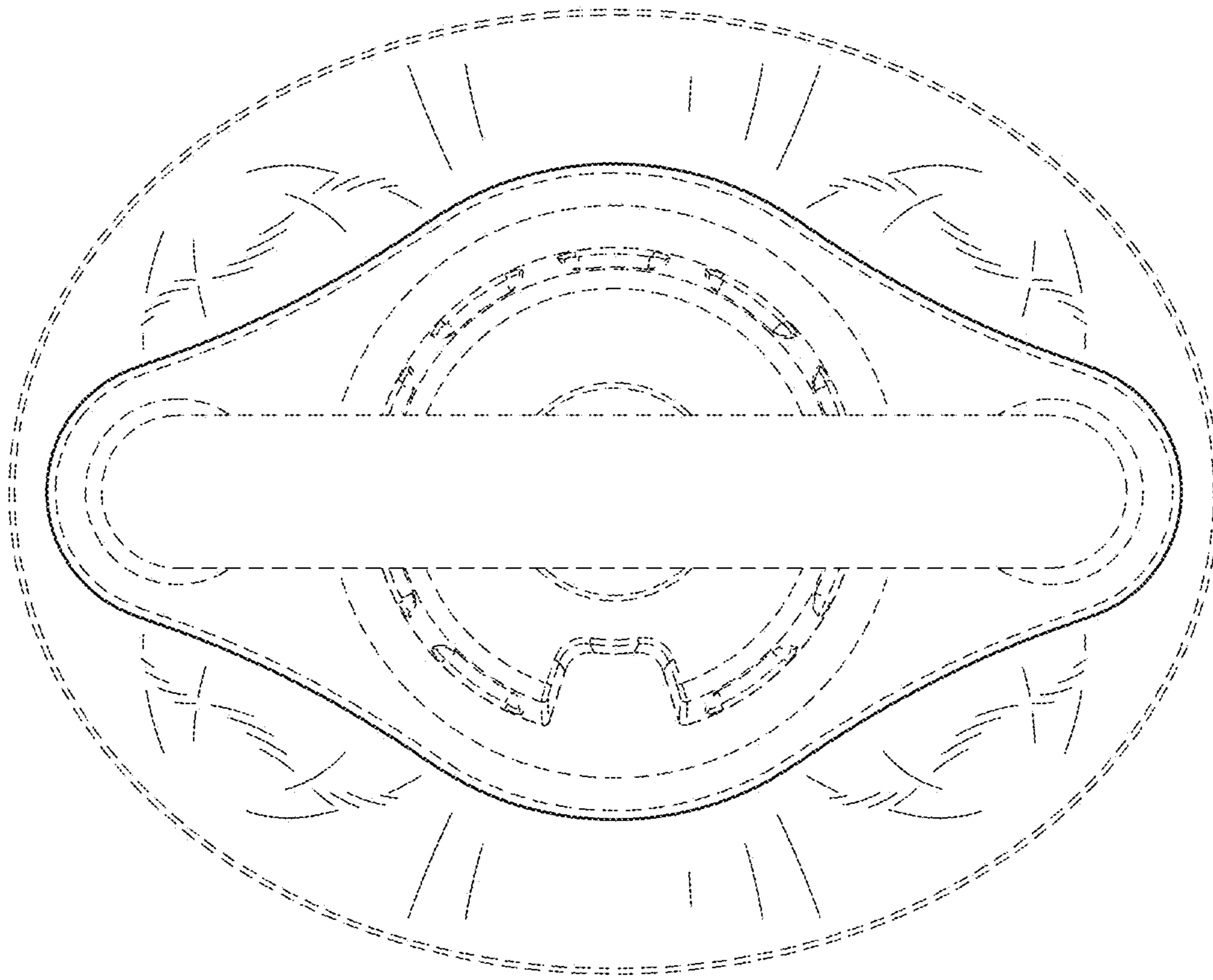


FIG. 7

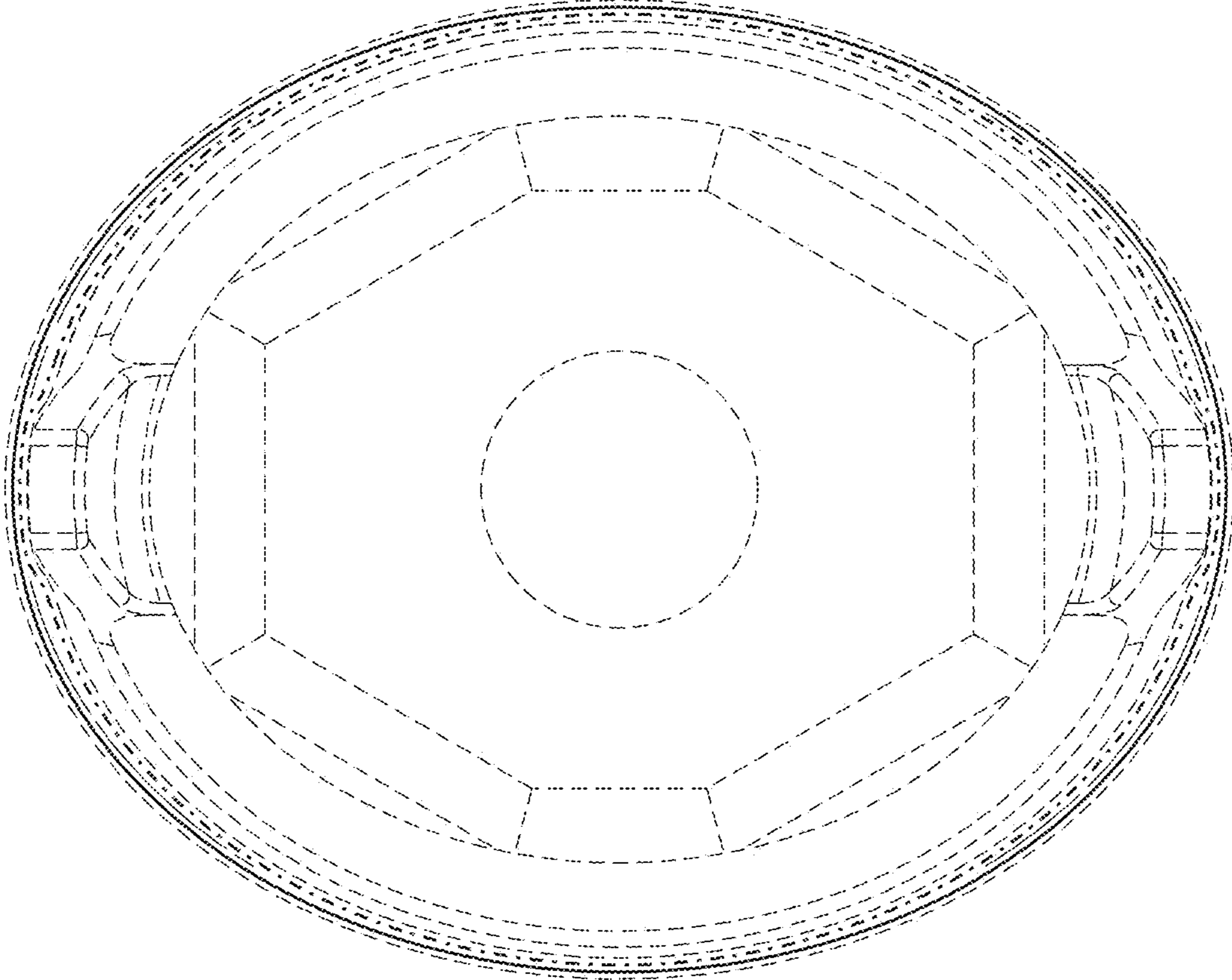


FIG. 8