



US00D908818S

(12) **United States Design Patent** (10) **Patent No.:** **US D908,818 S**
Barton et al. (45) **Date of Patent:** **** Jan. 26, 2021**

(54) **WINGED EXERCISE BAR**

(71) Applicant: **Barton Innovations, LLC**,
Waynesfield, OH (US)

(72) Inventors: **Thomas Jeffrey Barton**, Waynesfield,
OH (US); **David Joseph Barton**,
Waynesfield, OH (US); **Sara Anne
Barton**, Waynesfield, OH (US)

(73) Assignee: **Barton Innovations, LLC**,
Waynesfield, OH (US)

(**) Term: **15 Years**

(21) Appl. No.: **29/691,203**

(22) Filed: **May 14, 2019**

(51) **LOC (13) Cl.** **21-02**

(52) **U.S. Cl.**
USPC **D21/679**; D21/694

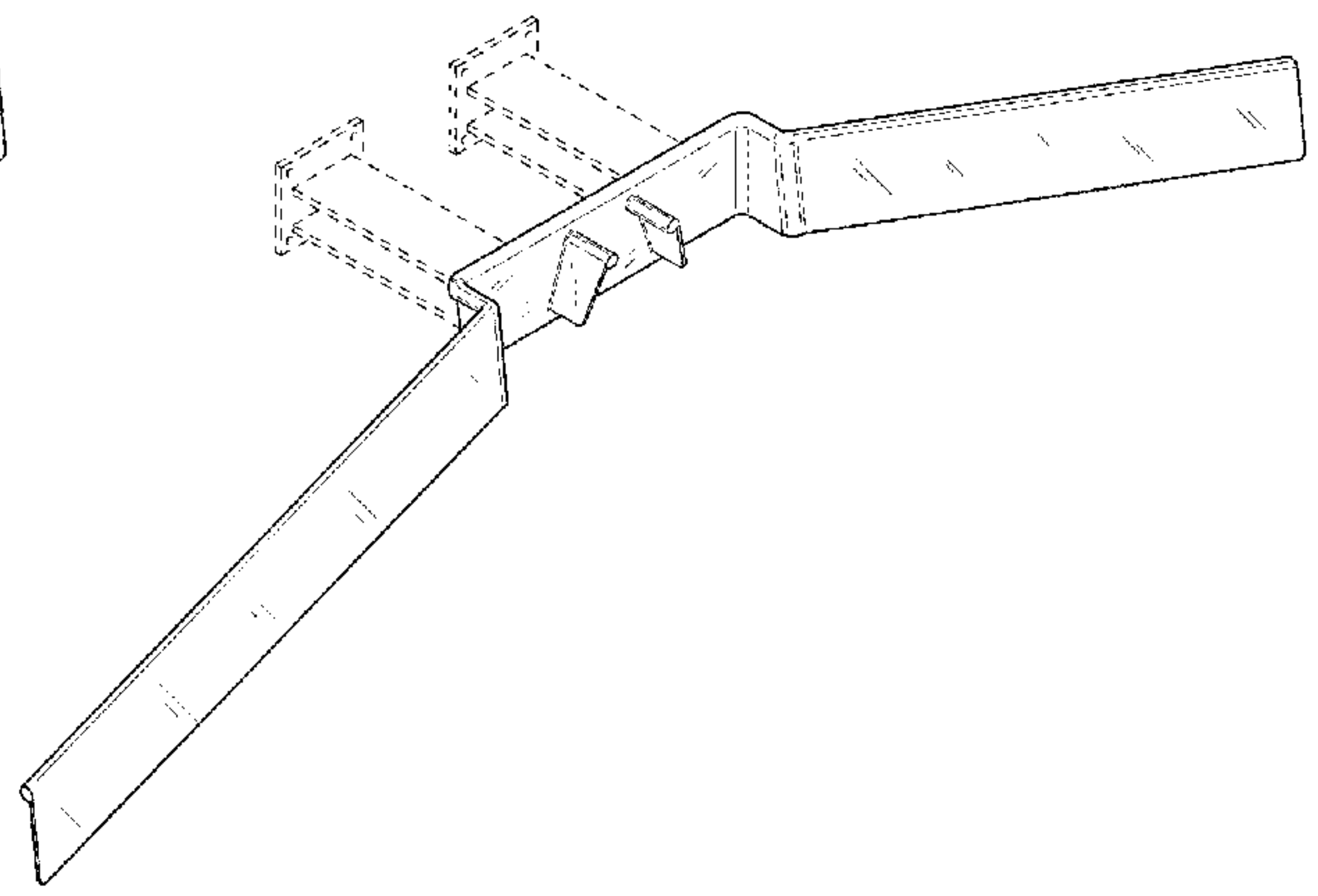
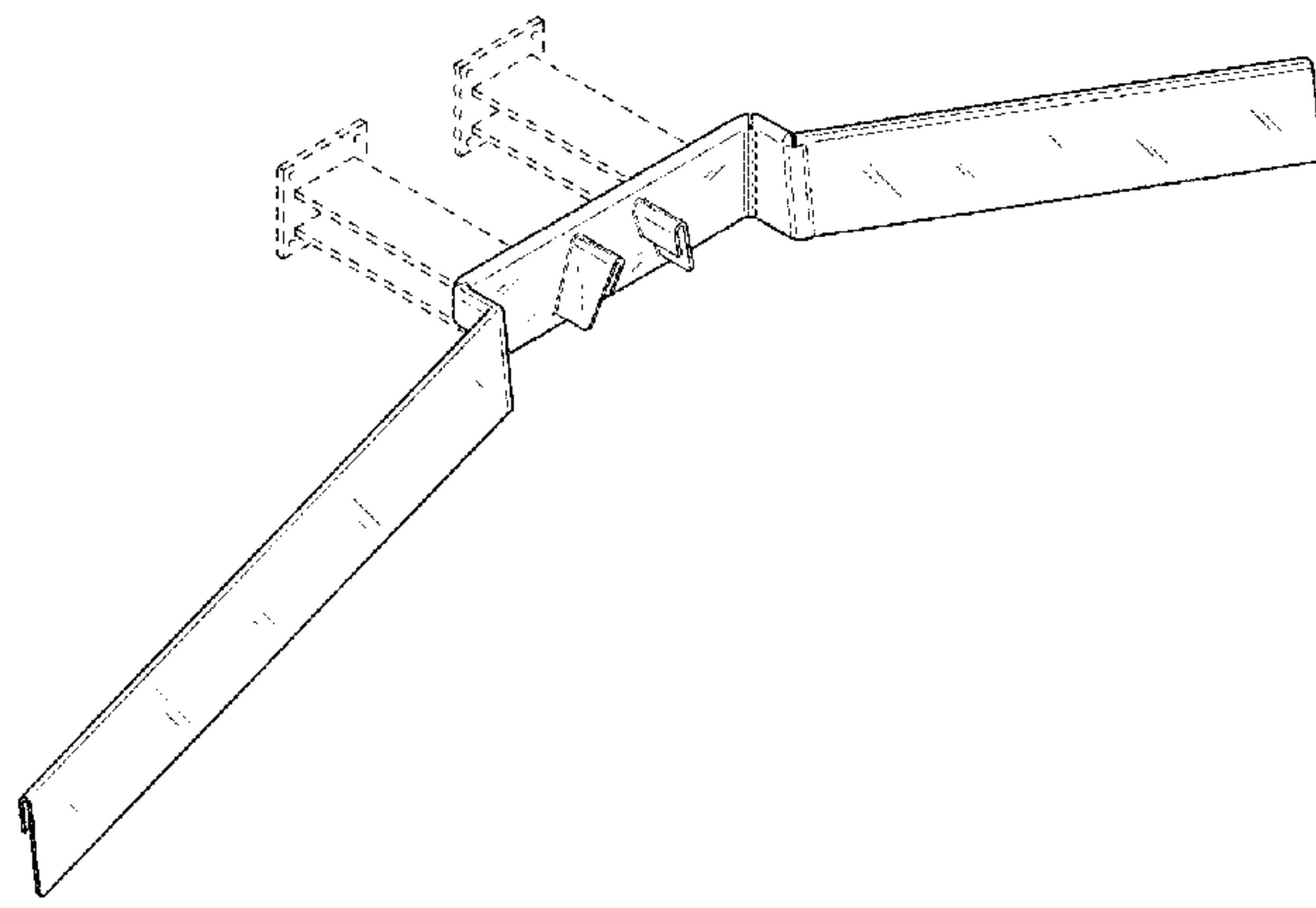
(58) **Field of Classification Search**
USPC D21/694, 691, 679, 681, 686; D6/681.1;
482/38, 40, 131, 140, 93, 97
CPC A63B 21/4035; A63B 21/4047; A63B
21/0628; A63B 23/0211; A63B 23/03525;
A63B 21/068; A63B 23/1218; A63B
23/1209; A63B 1/00
See application file for complete search history.

(56) **References Cited**

U.S. PATENT DOCUMENTS

D226,151 S 1/1973 Pawsat et al.
3,837,642 A 9/1974 Martin
D262,730 S 1/1982 Lambert, Jr. et al.
4,458,894 A * 7/1984 Dudley A63B 1/00
482/40
D297,957 S * 10/1988 Gordon, III D21/691
D305,256 S 12/1989 Pearson
D317,032 S 5/1991 Eckler
5,076,578 A 12/1991 Askonen
D324,894 S 3/1992 Porcello
5,180,350 A * 1/1993 Thomas A63B 1/00
482/138
5,312,314 A 5/1994 Stephan et al.

D348,706 S * 7/1994 Harrell D21/691
5,417,628 A * 5/1995 Vanderbleek A63B 21/1636
482/40
D394,482 S 5/1998 Colonello
5,761,767 A 6/1998 Barton
D396,510 S 7/1998 Marney
6,179,748 B1 * 1/2001 Barr A63B 1/00
482/38
6,220,988 B1 4/2001 Williams
6,508,743 B1 * 1/2003 Fortin A63B 1/00
482/38
7,093,698 B1 8/2006 Chen
D549,414 S 8/2007 Van Landingham, Jr.
D565,133 S 3/2008 Mollet
7,350,437 B2 4/2008 Mangano et al.
D577,276 S 9/2008 Matijevic
D626,187 S * 10/2010 Friedman D21/679
D633,156 S * 2/2011 Caswell D21/679
D633,961 S * 3/2011 Loew D21/679
7,993,245 B1 8/2011 Dorfman
D662,161 S 6/2012 Miller
D686,286 S * 7/2013 Orakwusi D21/679
D704,779 S 5/2014 Boatwright
D716,625 S 11/2014 Pereyra
D725,455 S 3/2015 Carlini
D728,039 S 4/2015 Groshek et al.
9,114,273 B2 * 8/2015 Kehoe A63B 21/00047
9,254,410 B1 2/2016 Mirza
9,427,611 B1 * 8/2016 Balentine A63B 21/00047
9,452,308 B2 * 9/2016 Lentz A63B 21/1627
D777,625 S 1/2017 Chang
D786,518 S 5/2017 Szekely
D812,158 S 3/2018 Campanaro et al.
D812,159 S 3/2018 Campanaro et al.
D815,575 S 4/2018 Temmerman
D818,058 S 5/2018 Barton et al.
D818,059 S 5/2018 Barton et al.
D818,060 S 5/2018 Barton et al.
D818,061 S 5/2018 Barton et al.
D818,063 S 5/2018 Barton et al.
9,999,802 B2 * 6/2018 Kilmon A63B 21/1618
D843,506 S 3/2019 Campanaro et al.
D892,948 S * 8/2020 Huang D21/679
2005/0143230 A1 6/2005 Dalebout et al.
2005/0250619 A1 * 11/2005 Daikeler A63B 21/1645
482/40
2006/0211552 A1 9/2006 Williams
2010/0018341 A1 1/2010 Greppi
2010/0186543 A1 7/2010 Menghini
2010/0234193 A1 * 9/2010 Friedman A63B 21/00047
482/133
2011/0245040 A1 * 10/2011 Skipper A63B 21/1636
482/38



2012/0046150	A1*	2/2012	Stacey	A63B 21/00047 482/131
2012/0094808	A1*	4/2012	Leier	A63B 21/00047 482/40
2012/0115683	A1*	5/2012	Ross	A63B 21/169 482/38
2013/0178338	A1*	7/2013	Ross	A63B 21/1645 482/40
2013/0225373	A1*	8/2013	Poat	A63B 23/1218 482/40
2013/0244836	A1*	9/2013	Maughan	A63B 21/068 482/40
2013/0303348	A1	11/2013	Cardin	
2014/0287886	A1	9/2014	Patti	
2014/0302968	A1*	10/2014	Velikin	A63B 1/00 482/40
2016/0166874	A1*	6/2016	Sheeler	A63B 21/068 482/40
2018/0001127	A1	1/2018	Caouette	
2018/0085622	A1*	3/2018	Ivan	A63B 1/00

OTHER PUBLICATIONS

Primal Strength by Primal Strength dated no date found. Found online [Sep. 14, 2020] <https://primalstrength.com/primal-strength-max-grip-handles/>.*

Gym Home by Gym Fitness Equipment dated no date found. Found online [Sep. 14, 2020] https://www.aliexpress.com/item/1005001284898080.html?src=google&albch=shopping&acnt=494-037-6276&isdl=y&slnk=&plac=&mtcp=&albbt=Google_7_shopping&aff_platform=google&aff_short_key=UneMJZVf&&albagn=888888&albcpr=9765953191.*

Braco 3 by Berenson dated Oct. 14, 2019. Found online [Sep. 14, 2020] <https://tinyurl.com/yyqvzpf>.*

Miseno by Berenson dated no date found. Found online [Sep. 14, 2020] <https://www.build.com/miseno-mcfh125/s1638241?uid=3883491&displaypla=1>.*

MAG Grip Products Webpage, MAG Maximum Advantage Grip Website, Web page <<http://maxagrip.com/products.html>>, 2 pages, dated Oct. 17, 2013, retrieved from Internet Archive Wayback Machine <<https://web.archive.org/web/20131017005713/http://maxagrip.com/products.html>> on Sep. 14, 2016.

Close Grip Neutral on MAG Grip Products Webpage, MAG Maximum Advantage Grip Website, Web page <<http://maxagrip.com/products.html>>, 2 pages, dated Oct. 17, 2013, retrieved from Internet Archive Wayback Machine <<https://web.archive.org/web/20131017005713/http://maxagrip.com/products.html>> on Sep. 14, 2016.

Close Grip Pronate on MAG Grip Products Webpage, MAG Maximum Advantage Grip Website, Web page <<http://maxagrip.com/products.html>>, 2 pages, dated Oct. 17, 2013, retrieved from Internet Archive Wayback Machine <<https://web.archive.org/web/20131017005713/http://maxagrip.com/products.html>> on Sep. 14, 2016.

Close Grip Supinate on MAG Grip Products Webpage, MAG Maximum Advantage Grip Website, Web page <<http://maxagrip.com/products.html>>, 2 pages, dated Oct. 17, 2013, retrieved from Internet Archive Wayback Machine <<https://web.archive.org/web/20131017005713/http://maxagrip.com/products.html>> on Sep. 14, 2016.

Medium Grip Neutral on MAG Grip Products Webpage, MAG Maximum Advantage Grip Website, Web page <<http://maxagrip.com/products.html>>, 2 pages, dated Oct. 17, 2013, retrieved from Internet Archive Wayback Machine <<https://web.archive.org/web/20131017005713/http://maxagrip.com/products.html>> on Sep. 14, 2016.

Medium Grip Pronate on MAG Grip Products Webpage, MAG Maximum Advantage Grip Website, Web page <<http://maxagrip.com/products.html>>, 2 pages, dated Oct. 17, 2013, retrieved from Internet Archive Wayback Machine <<https://web.archive.org/web/20131017005713/http://maxagrip.com/products.html>> on Sep. 14, 2016.

Medium Grip Supinate on MAG Grip Products Webpage, MAG Maximum Advantage Grip Website, Web page <<http://maxagrip.com/products.html>>, 2 pages, dated Oct. 17, 2013, retrieved from Internet Archive Wayback Machine <<https://web.archive.org/web/20131017005713/http://maxagrip.com/products.html>> on Sep. 14, 2016.

Michael Gundill by Michael Gundill dated Jun. 4, 2012. Found online [Jan. 2, 2017] <https://www.youtube.com/watch?v=r9GbFd2xuFQ>.

Products MAG Lat Bar by MAG dated no date given. Found online [Jan. 2, 2017] <http://maxagrip.com/products.html>.

* cited by examiner

Primary Examiner — Ryan Harvey

(74) Attorney, Agent, or Firm — The Law Office of Patrick F. O'Reilly III, LLC

(57)

CLAIM

The ornamental design for a winged exercise bar, as shown and described.

DESCRIPTION

FIG. 1 is a top-front perspective view of a first embodiment of a winged exercise bar showing our new design;

FIG. 2 is a front elevational view of the embodiment shown in FIG. 1;

FIG. 3 is a top plan view of the embodiment shown in FIG. 1;

FIG. 4 is a rear elevational view of the embodiment shown in FIG. 1;

FIG. 5 is a bottom plan view of the embodiment shown in FIG. 1;

FIG. 6 is a left side elevational view of the embodiment shown in FIG. 1;

FIG. 7 is a right side elevational view of the embodiment shown in FIG. 1;

FIG. 8 is a bottom-front perspective view of the embodiment shown in FIG. 1;

FIG. 9 is a top-front perspective view of a second embodiment of a winged exercise bar showing our new design;

FIG. 10 is a front elevational view of the embodiment shown in FIG. 9;

FIG. 11 is a top plan view of the embodiment shown in FIG. 9;

FIG. 12 is a rear elevational view of the embodiment shown in FIG. 9;

FIG. 13 is a bottom plan view of the embodiment shown in FIG. 9;

FIG. 14 is a left side elevational view of the embodiment shown in FIG. 9;

FIG. 15 is a right side elevational view of the embodiment shown in FIG. 9; and,

FIG. 16 is a bottom-front perspective view of the embodiment shown in FIG. 9.

The broken line portions of the drawing figures are included to show unclaimed subject matter only and form no part of the claimed design. In particular, the wall mount and fastener apertures shown in broken lines form no part of the claimed invention.

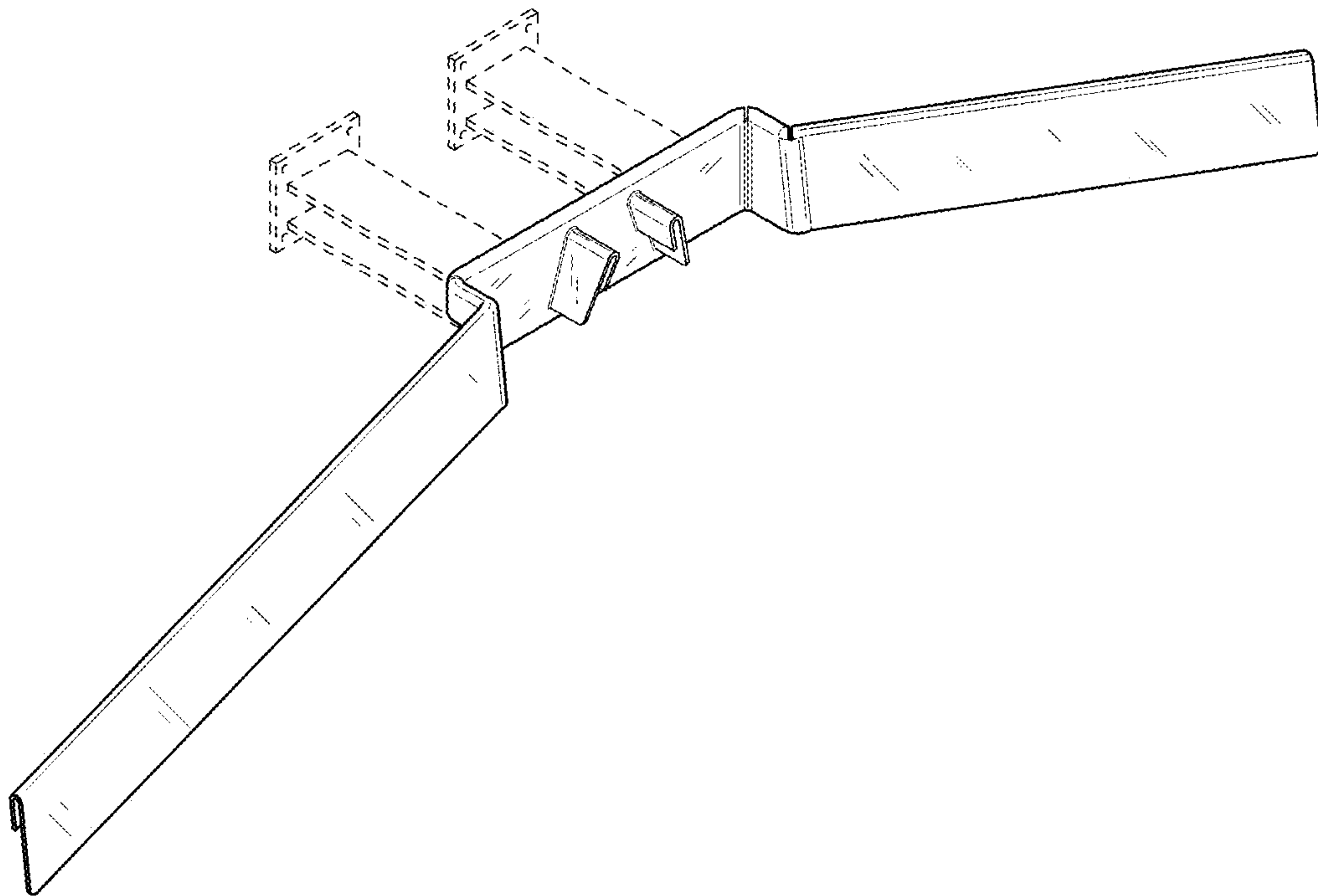


FIG. 1

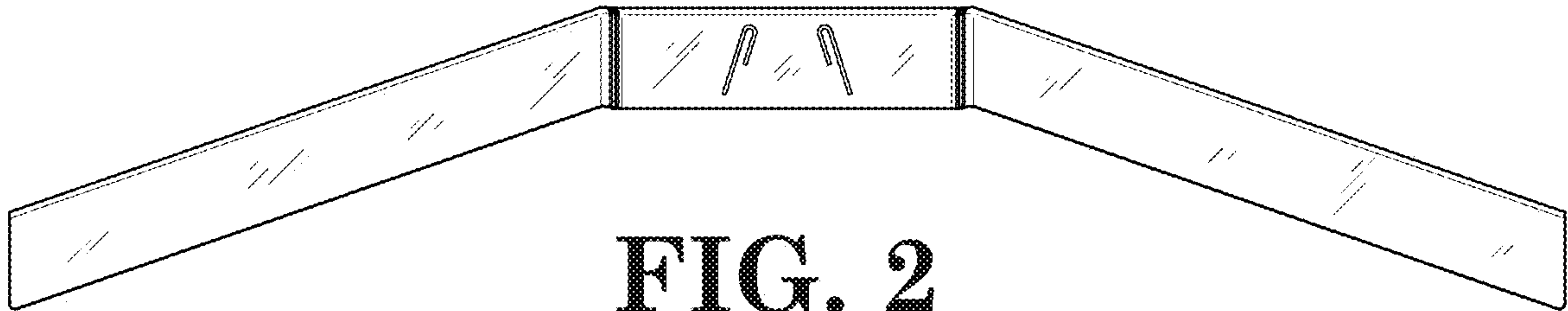


FIG. 2

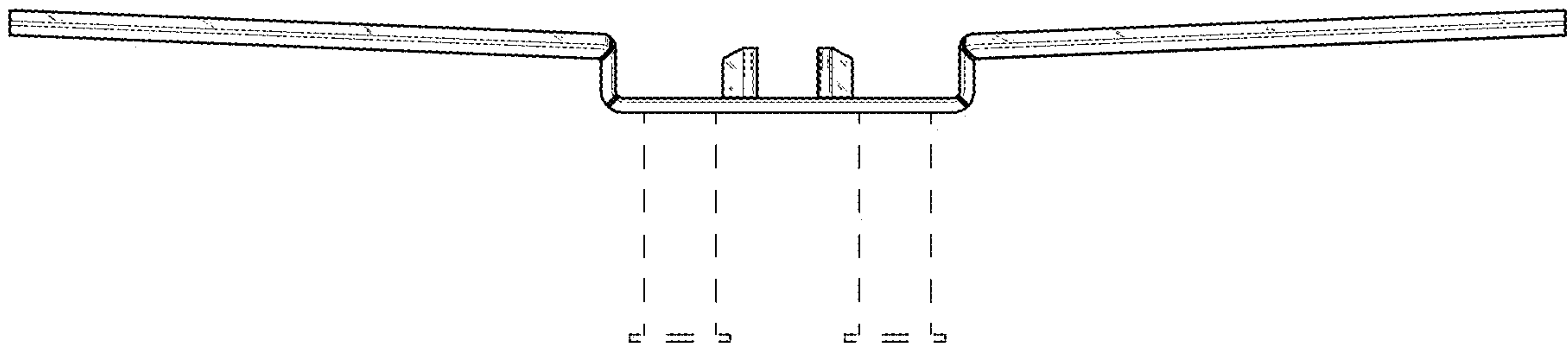


FIG. 3



FIG. 4

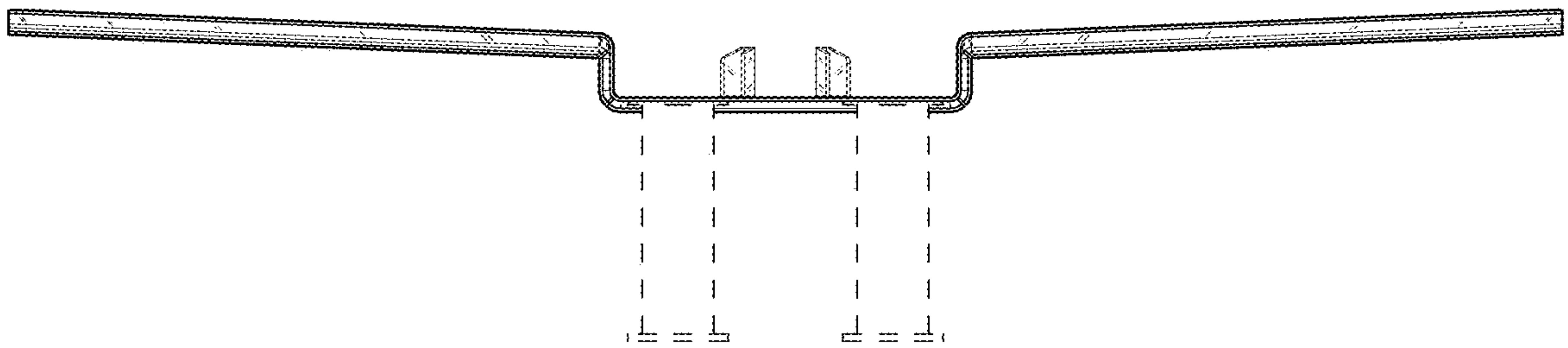


FIG. 5

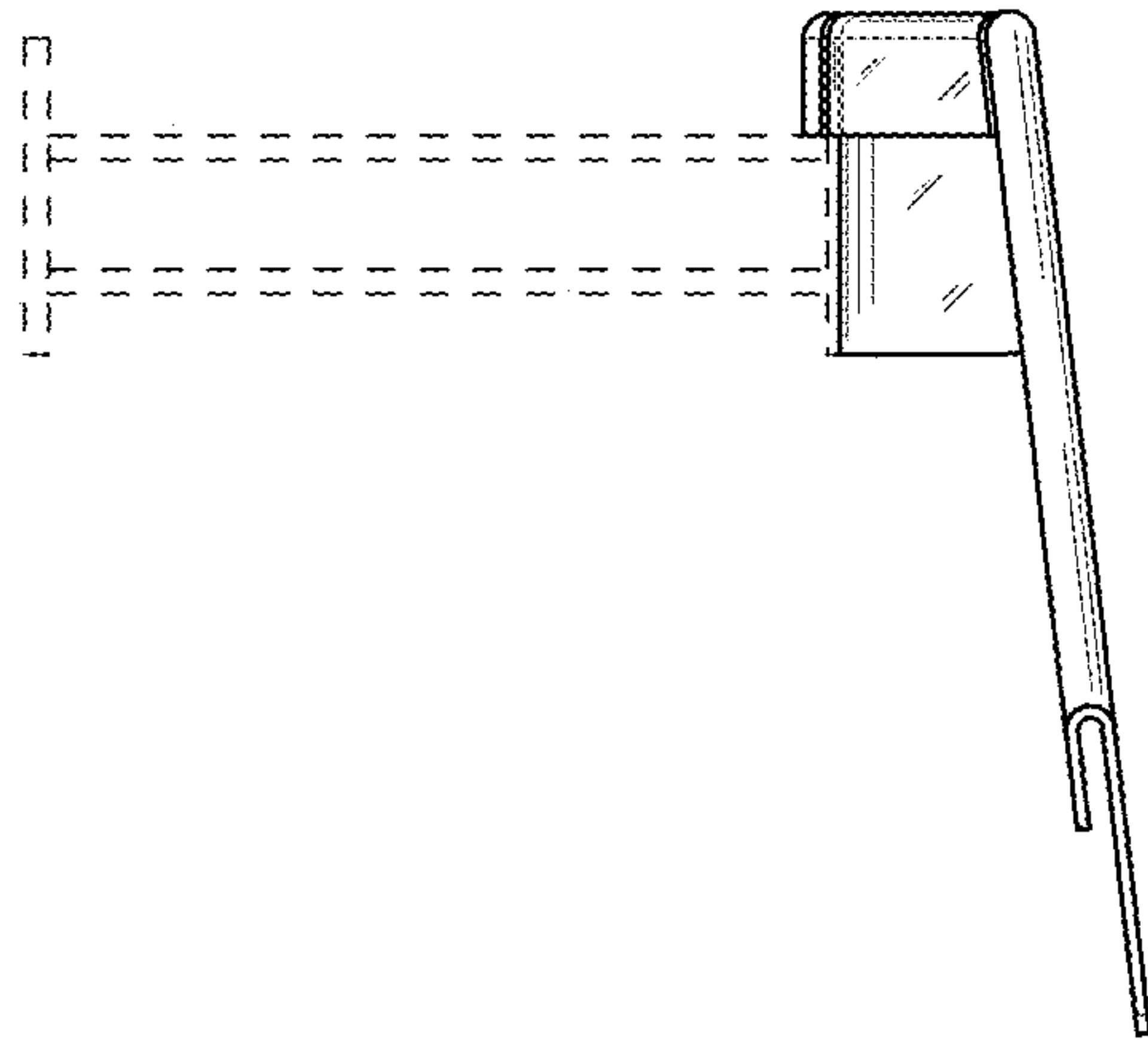
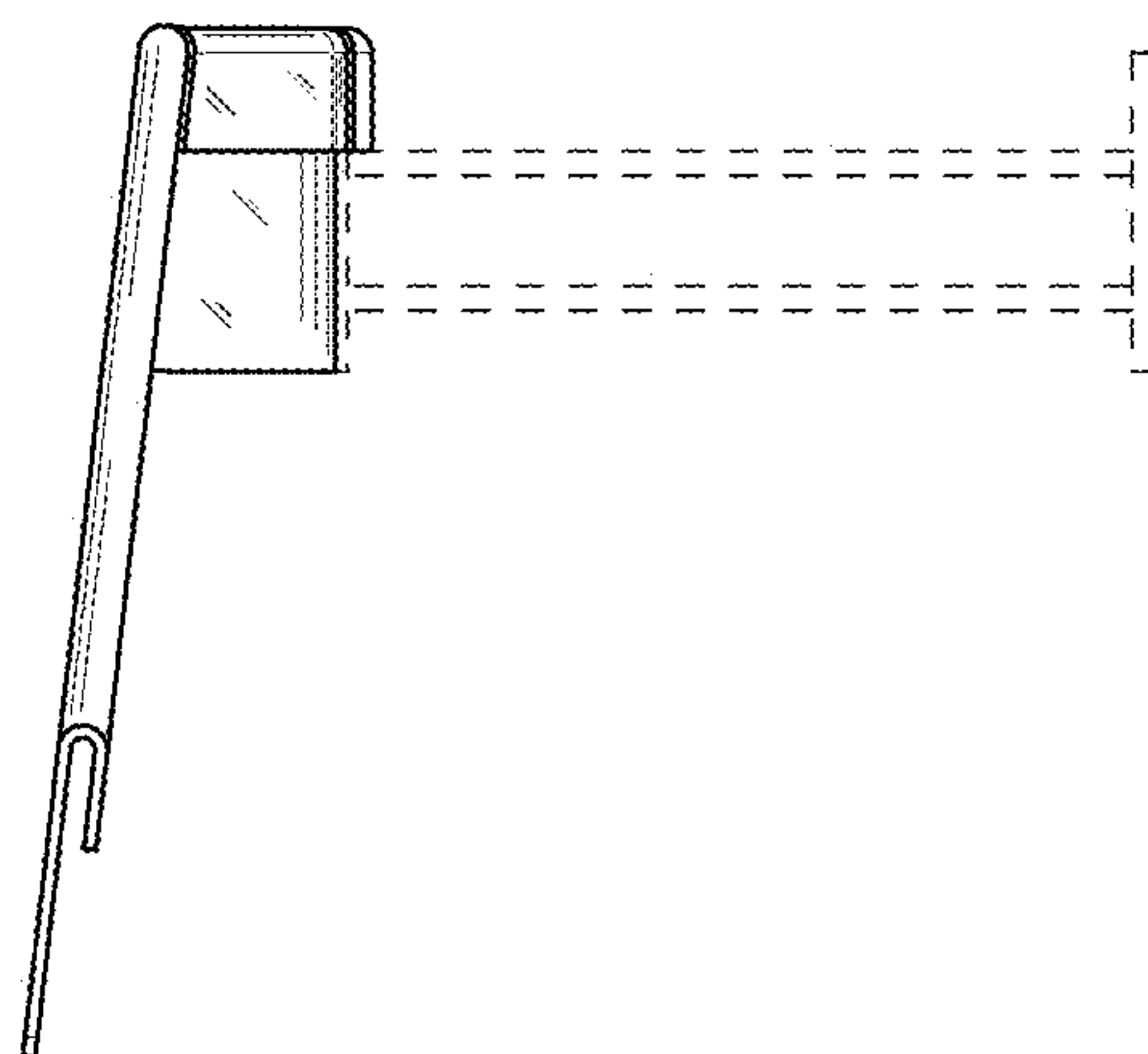


FIG. 6

FIG. 7



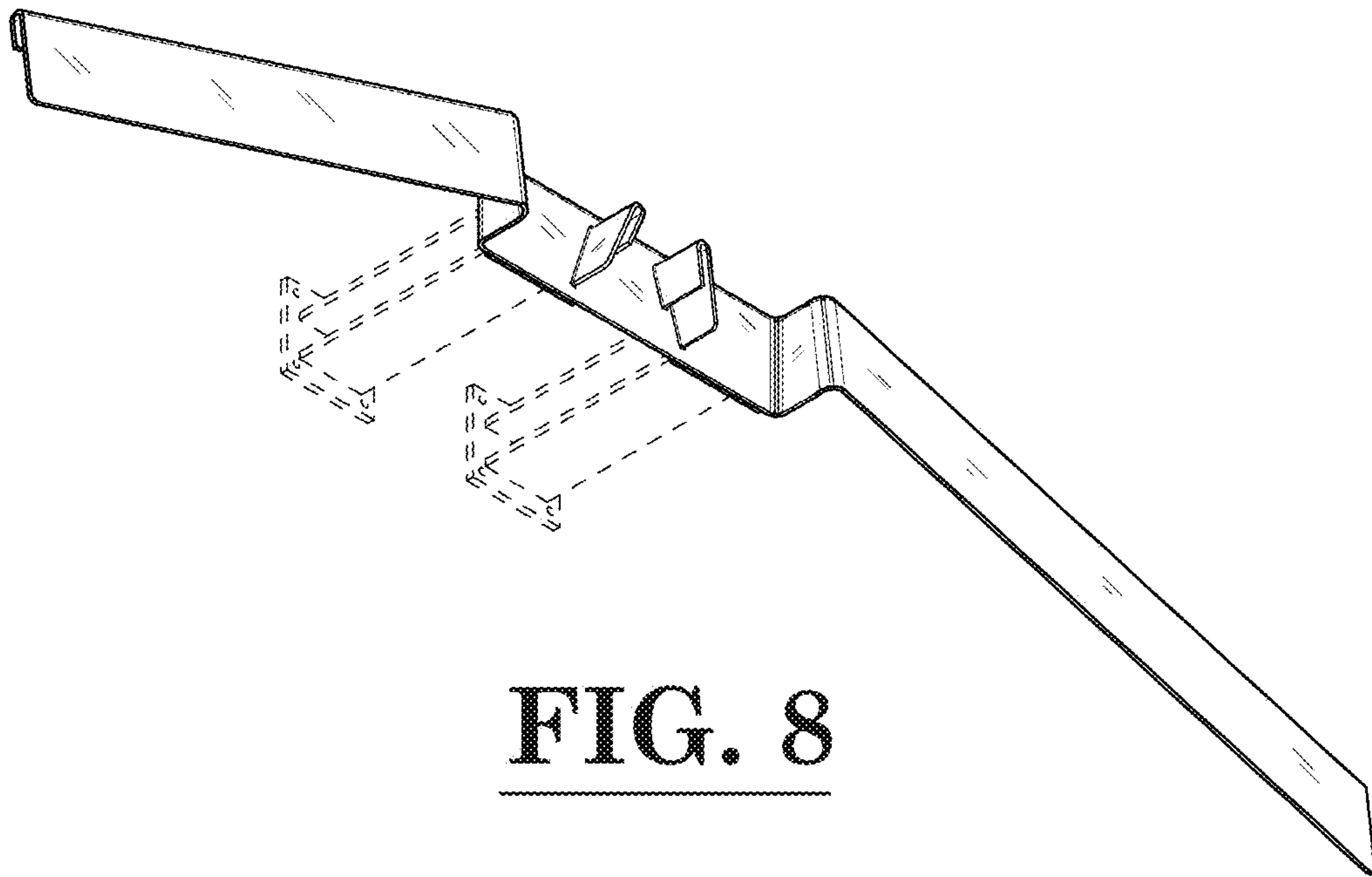


FIG. 8

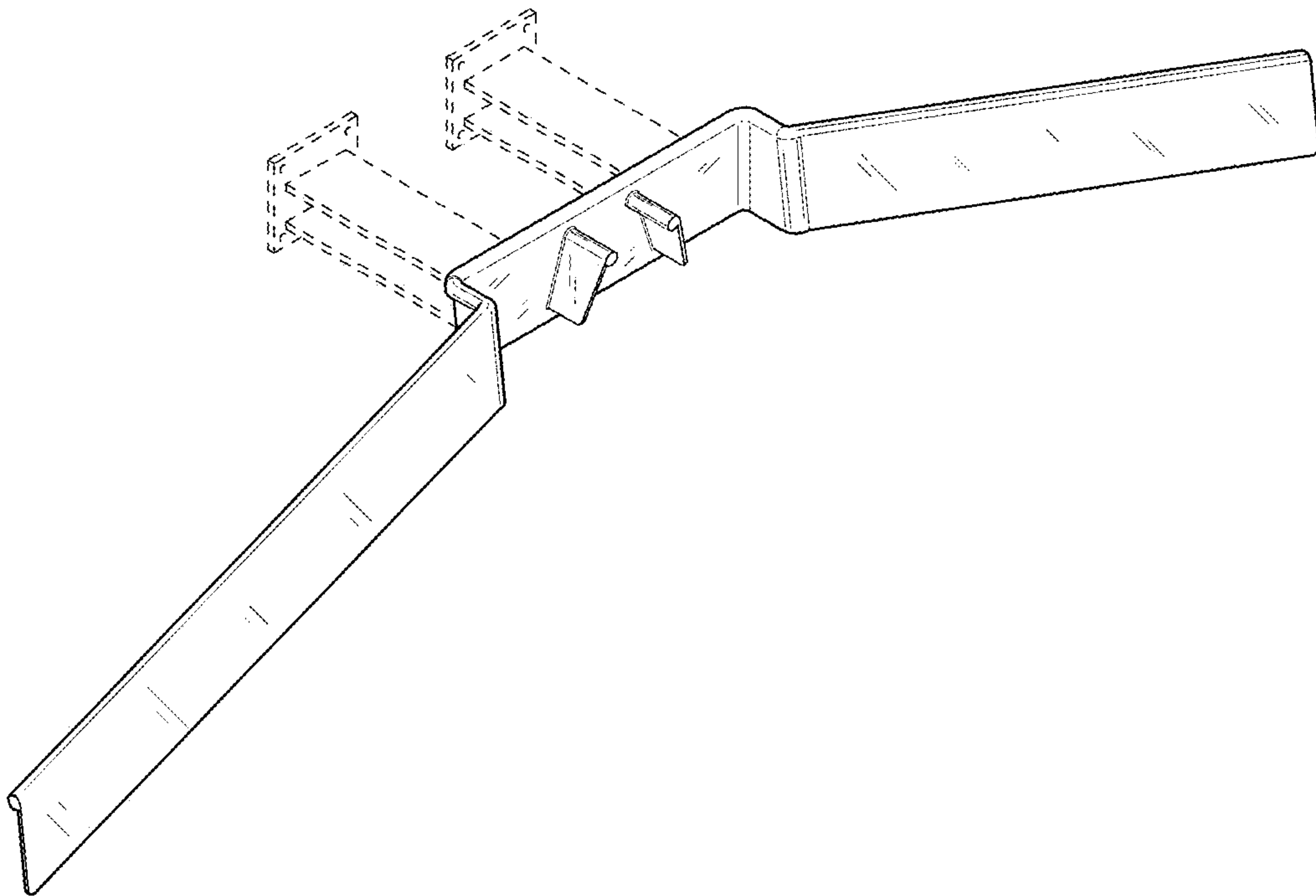


FIG. 9

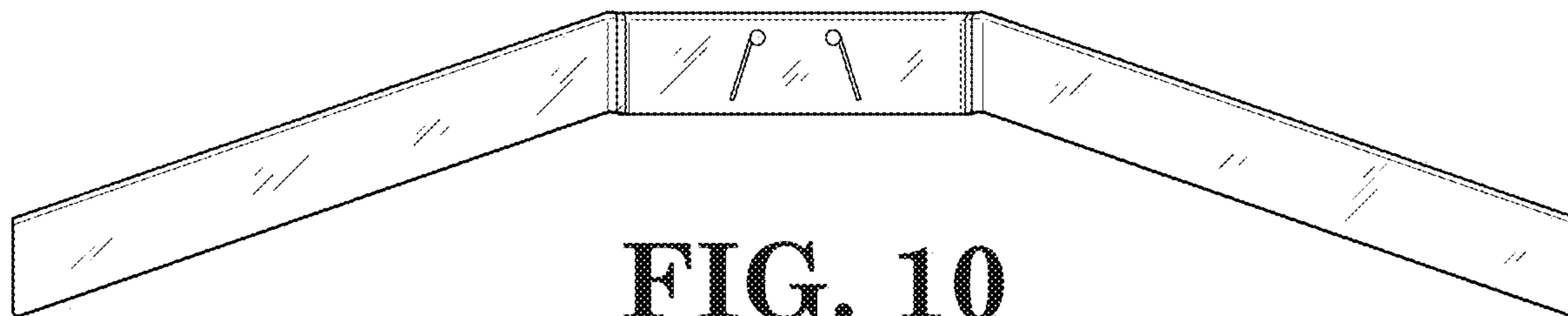


FIG. 10

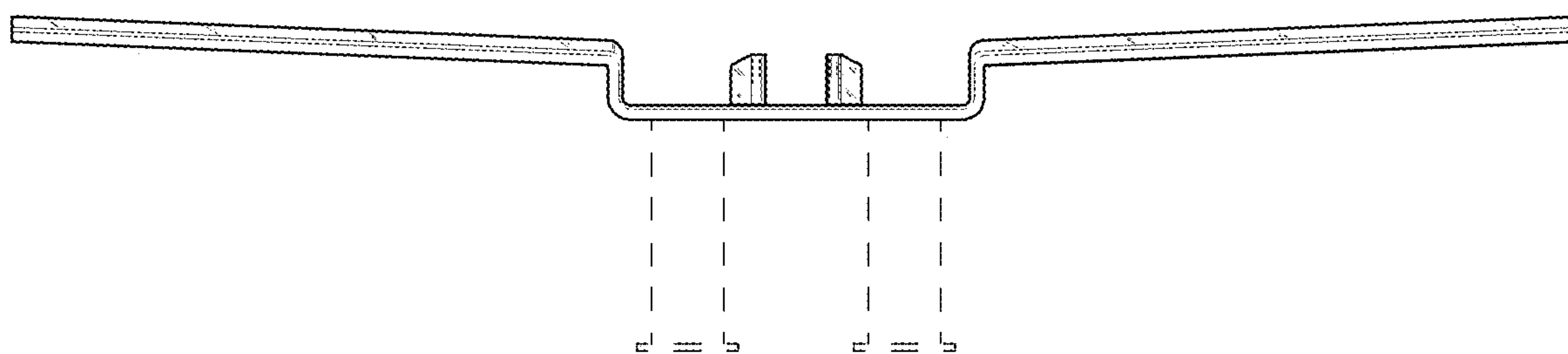
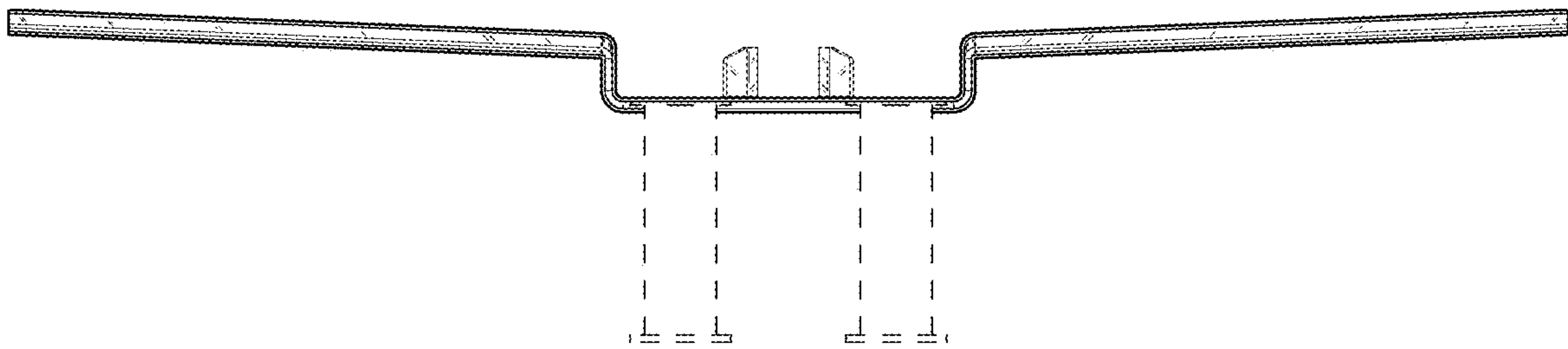


FIG. 11



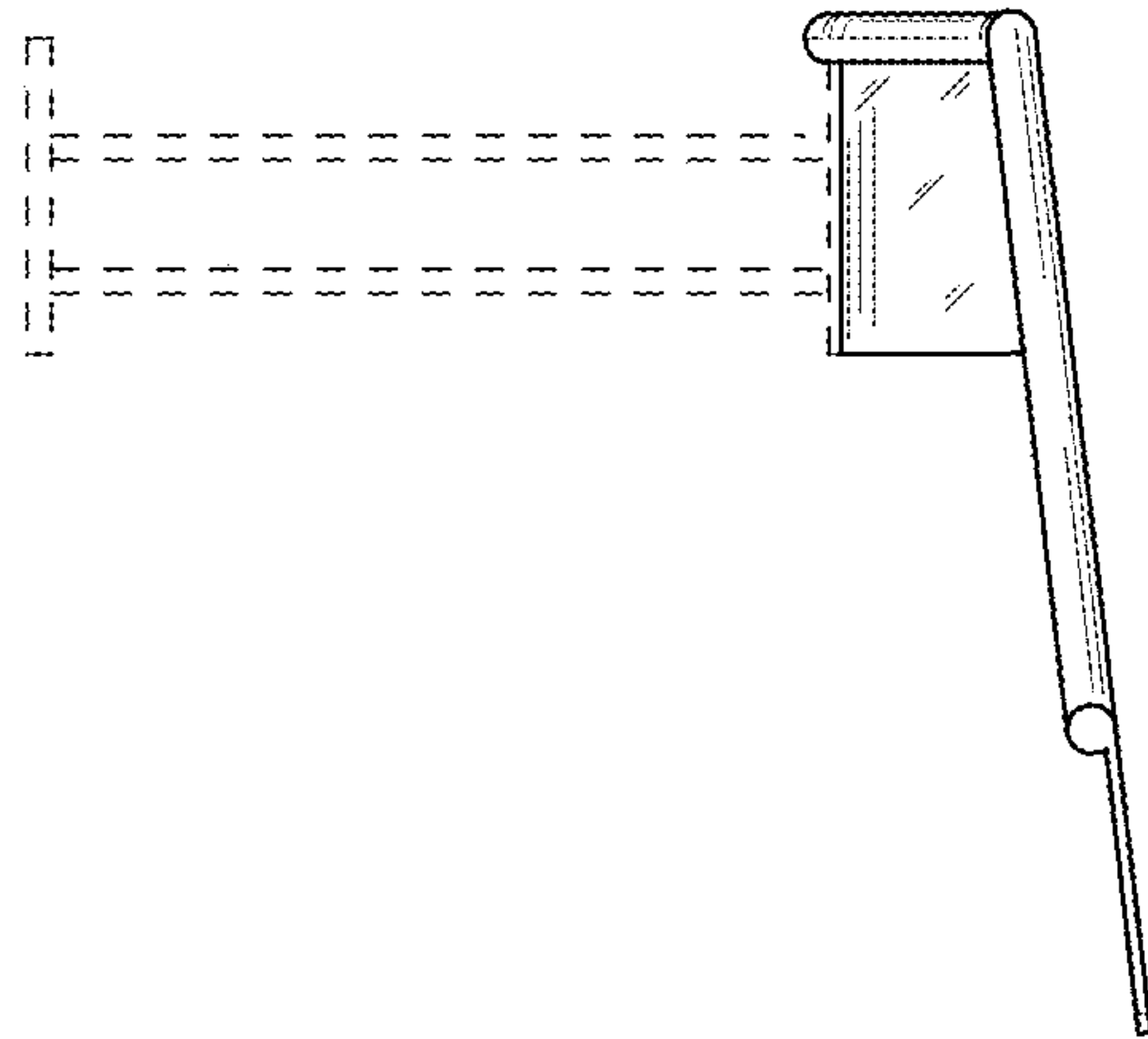
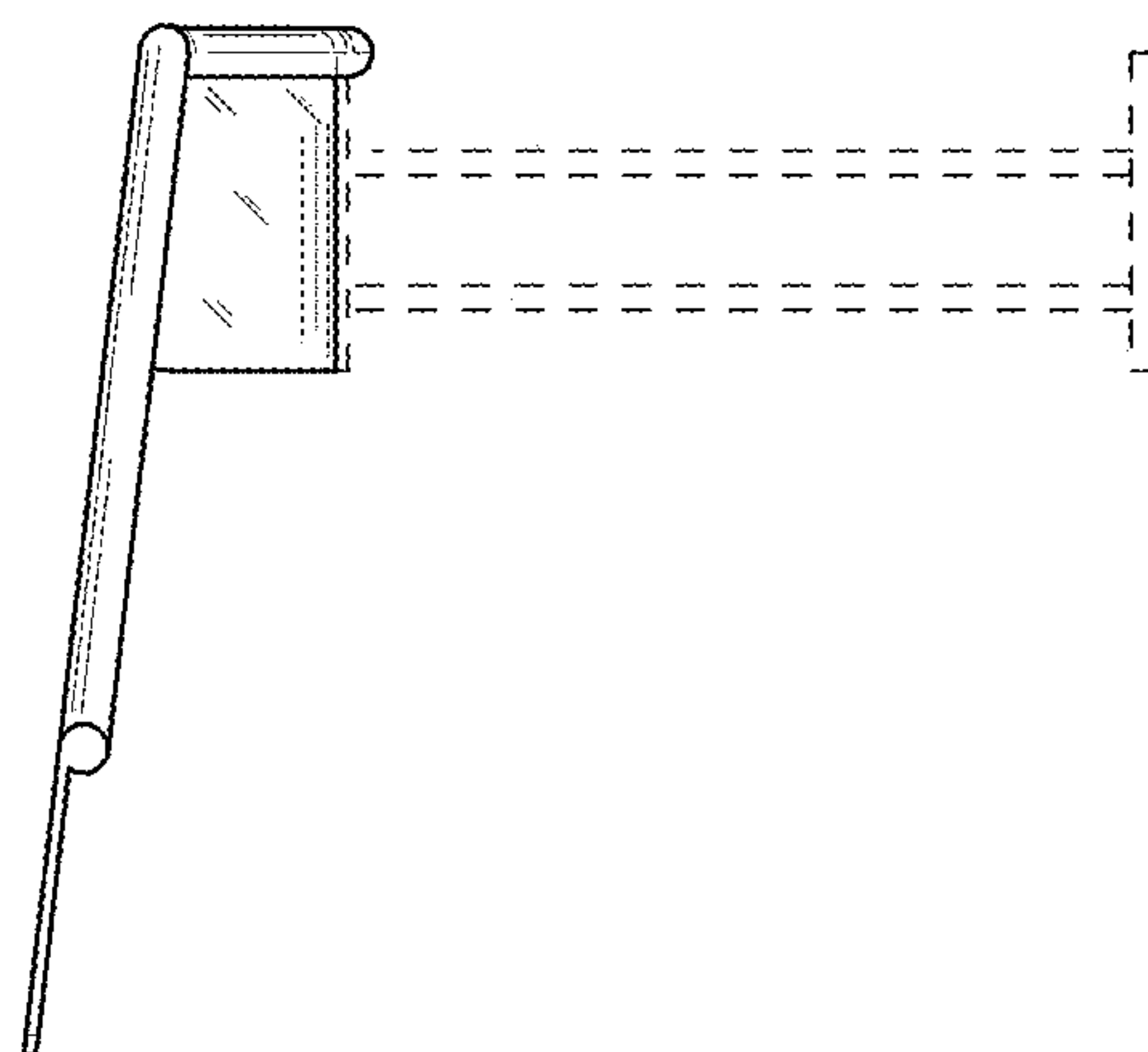


FIG. 14

FIG. 15



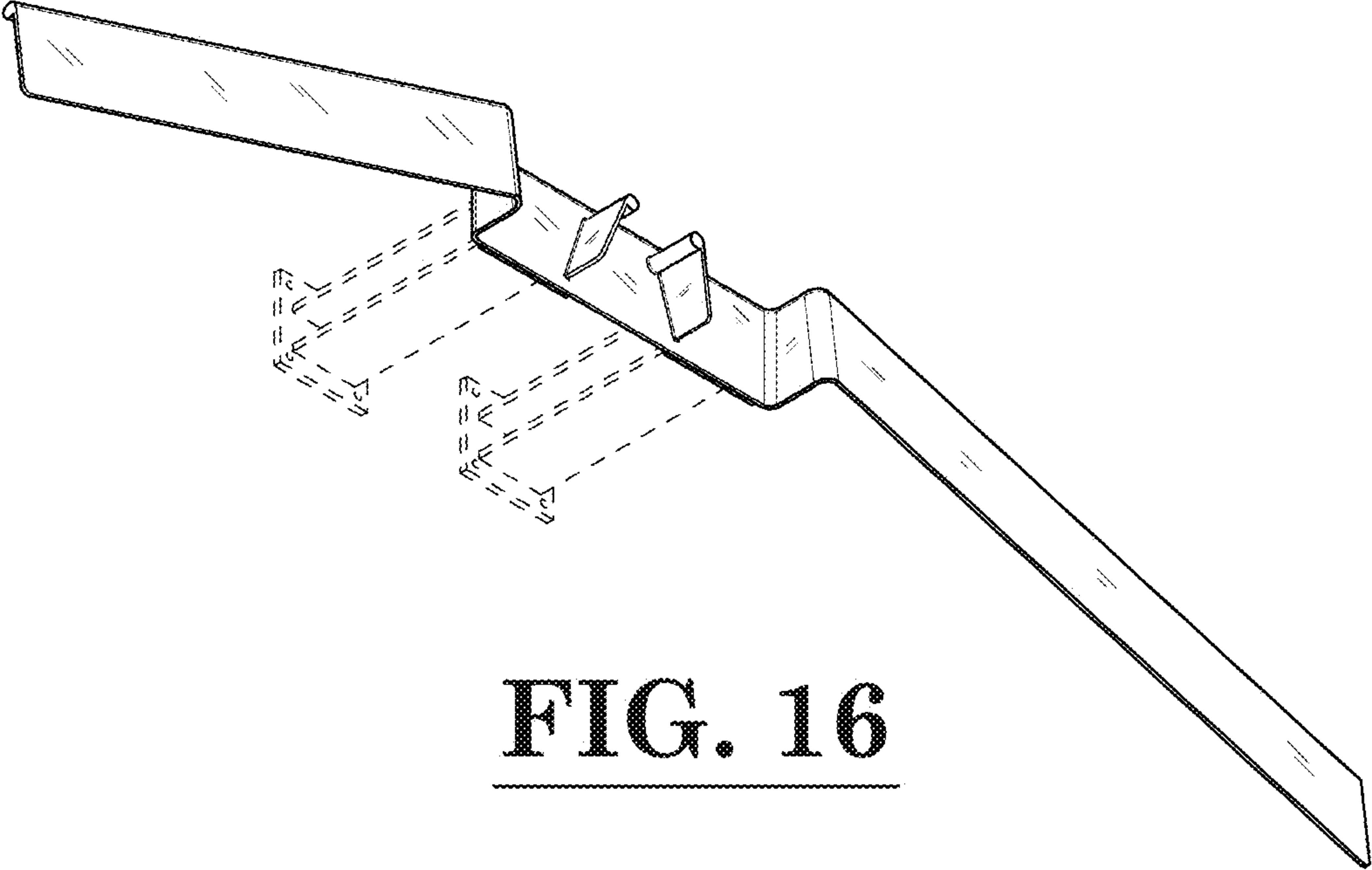


FIG. 16