



US00D908817S

(12) **United States Design Patent**
Wang

(10) **Patent No.:** **US D908,817 S**

(45) **Date of Patent:** **** Jan. 26, 2021**

- (54) **TREADMILL**
- (71) Applicant: **Shenzhen Xunya E-Commerce Co., Ltd.**, Guangdong (CN)
- (72) Inventor: **Xucheng Wang**, Guangdong (CN)
- (73) Assignee: **Shenzhen Xunya E-Commerce Co., Ltd.**, Guangdong (CN)
- (**) Term: **15 Years**
- (21) Appl. No.: **29/740,136**
- (22) Filed: **Jul. 1, 2020**
- (51) **LOC (13) Cl.** **21-02**
- (52) **U.S. Cl.**
USPC **D21/669**
- (58) **Field of Classification Search**
USPC 482/54, 2, 51, 8, 70, 146; D21/668, 669;
198/439, 456; D30/160; 601/35, 23, 5,
601/34
CPC . A63B 22/02; A63B 22/0023; A63B 22/0235;
A63B 2210/50; A63B 22/0285; A63B
22/0242; A63B 2022/025; A63B 2225/30;
A63B 2022/0214; A63B 2220/13; A63B
2022/0228; A63B 2210/56; A63B
2024/0093; A63B 2022/0207; A63B
22/0012; A63B 22/0257; A61H 3/008;
A61H 1/0262; A61H 2201/164; A01K
15/027
See application file for complete search history.

(56) **References Cited**

U.S. PATENT DOCUMENTS

- 4,151,988 A * 5/1979 Nabinger A63B 22/02
188/72.9
- D280,002 S * 8/1985 Smith D21/669
- 4,614,336 A * 9/1986 Taitel A63B 21/015
482/54

- 4,757,987 A * 7/1988 Allemand A63B 22/02
482/54
 - 4,776,582 A * 10/1988 Ramhorst A63B 22/0023
482/54
 - D303,557 S * 9/1989 Kiiski D21/669
 - D304,849 S * 11/1989 Watterson D21/669
 - D306,468 S * 3/1990 Watterson D21/669
 - D306,891 S * 3/1990 Watterson D21/669
 - 5,018,722 A * 5/1991 Whitmore A63B 22/02
482/54
 - 5,029,801 A * 7/1991 Dalebout A63B 22/0023
248/649
 - D325,951 S * 5/1992 Johnson D21/669
- (Continued)

Primary Examiner — Ryan Harvey

(74) *Attorney, Agent, or Firm* — ScienBiziP, P.C.

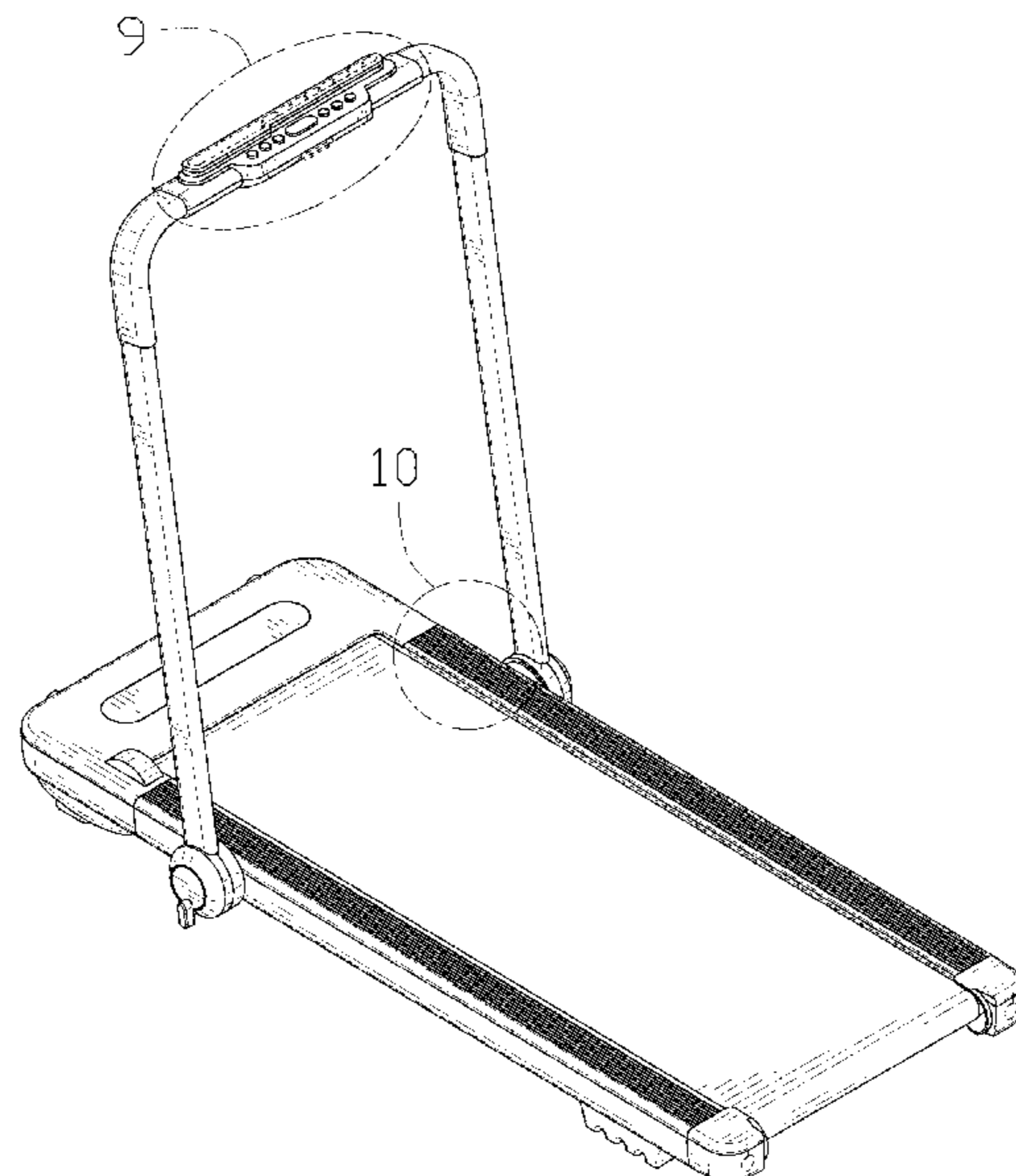
(57) **CLAIM**

The ornamental design for a treadmill, as shown and described.

DESCRIPTION

FIG. 1 is a front and top perspective view of a treadmill, showing my design.
 FIG. 2 is a rear and bottom perspective view thereof.
 FIG. 3 is a front elevation view thereof.
 FIG. 4 is a rear elevation view thereof.
 FIG. 5 is a left side elevation view thereof.
 FIG. 6 is a right side elevation view thereof.
 FIG. 7 is a top plan view thereof.
 FIG. 8 is a bottom plan view thereof.
 FIG. 9 is an enlarged view of an area labeled 9 in FIG. 1.
 FIG. 10 is an enlarged view of an area labeled 10 in FIG. 1.
 FIG. 11 is an enlarged view of an area labeled 11 in FIG. 2; and,
 FIG. 12 is an enlarged view of an area labeled 12 in FIG. 2.
 The broken lines in the drawings depict environmental structure and boundaries and form no part of the claimed design.

1 Claim, 12 Drawing Sheets



(56)

References Cited

U.S. PATENT DOCUMENTS

D344,557 S *	2/1994	Ashby	482/54	9,138,615 B2 *	9/2015	Olson	A63B 22/0023
D348,494 S *	7/1994	Ashby	D21/694	D751,156 S *	3/2016	Tasca	D21/669
5,378,213 A *	1/1995	Quint	A63B 22/02	9,364,706 B2 *	6/2016	Lo	A63B 22/00
			198/849	D827,733 S	9/2018	Hochstrasser	
D355,227 S *	2/1995	Summers	D21/669	D831,131 S *	10/2018	Zha	D21/669
D369,843 S *	5/1996	Wang	D21/669	D854,101 S	7/2019	Kruse et al.	
D374,260 S *	10/1996	Snyderman	D21/669	D854,634 S	7/2019	Zhao	
5,607,375 A *	3/1997	Dalebout	A63B 22/0023	D859,543 S *	9/2019	Lisi	D21/669
			482/51	D888,845 S *	6/2020	Luo	D21/669
5,643,144 A *	7/1997	Trulaske	A63B 22/02	D889,569 S *	7/2020	Luo	D21/669
			198/841	2001/0049323 A1 *	12/2001	Fox	A63B 22/0023
5,711,745 A *	1/1998	Yang	A63B 22/02				482/54
			482/51	2003/0060331 A1 *	3/2003	Polk, III	A63B 22/0235
D393,297 S *	4/1998	McBride	D21/669				482/20
5,746,682 A *	5/1998	Hung	A63B 22/02	2004/0132586 A1 *	7/2004	Leighton	A63B 22/0207
			482/51				482/54
5,816,981 A *	10/1998	Hung	A63B 22/02	2005/0130807 A1 *	6/2005	Cutler	A63B 22/0023
			482/54				482/54
5,904,637 A *	5/1999	Kuo	A63B 22/02	2006/0122037 A1 *	6/2006	Chou Lin	A63B 22/0235
			482/54				482/54
D413,366 S *	8/1999	Husted	D21/668	2006/0122038 A1 *	6/2006	Chou Lin	A63B 22/0235
D414,518 S *	9/1999	Wang	D21/669				482/54
D416,298 S *	11/1999	Onuma	D21/669	2006/0160665 A1 *	7/2006	Tai	A63B 22/0023
6,042,514 A *	3/2000	Abelbeck	A63B 22/02				482/54
			198/439	2008/0176719 A1 *	7/2008	To	A63B 22/0235
D424,137 S *	5/2000	Barker	D21/669				482/54
6,179,753 B1 *	1/2001	Barker	A63B 22/0235	2009/0005224 A1 *	1/2009	Davis	A63B 22/02
			482/51				482/54
6,234,937 B1 *	5/2001	Yu	A63B 22/02	2009/0042698 A1 *	2/2009	Wang	A63B 22/02
			482/54				482/54
6,302,826 B1 *	10/2001	Lee	A63B 22/02	2009/0111666 A1 *	4/2009	Wang	A63B 22/0235
			482/51				482/54
6,390,955 B1 *	5/2002	Wang	A63B 22/02	2009/0170666 A1 *	7/2009	Chiang	A63B 22/02
			482/54				482/54
6,394,933 B1 *	5/2002	Yu	A63B 22/02	2011/0021323 A1 *	1/2011	Wu	A63B 22/0235
			482/54				482/54
D458,654 S *	6/2002	Kiiski	D21/669	2011/0306472 A1 *	12/2011	Wang	A63B 22/0235
D464,690 S *	10/2002	San-Ching	D21/669				482/54
D465,250 S *	11/2002	San-Ching	D21/669	2012/0270704 A1 *	10/2012	Wang	A63B 22/0214
6,527,678 B1 *	3/2003	Wang	A63B 22/0235				482/54
			482/51	2012/0283070 A1 *	11/2012	Lai	A63B 22/02
D484,554 S *	12/2003	Hellman, Jr.	D21/669				482/54
6,663,540 B1 *	12/2003	Huang	A63B 22/02	2013/0184125 A1 *	7/2013	Maguire	A63B 21/225
			482/54				482/54
6,685,599 B2 *	2/2004	Wang	A63B 22/02	2013/0231219 A1 *	9/2013	Huang	A63B 22/0023
			482/54				482/54
6,761,669 B1 *	7/2004	Pan	A63B 22/02	2014/0066263 A1 *	3/2014	Huang	A63B 24/0087
			482/51				482/54
D494,234 S *	8/2004	Sporie	D21/669	2014/0076206 A1 *	3/2014	McCabe	A47B 57/30
6,786,853 B2 *	9/2004	Wu	A63B 22/0257				108/5
			482/54	2014/0113770 A1 *	4/2014	Yim	A63B 22/0023
D500,348 S *	12/2004	Parise	D21/669				482/8
6,860,838 B2 *	3/2005	Fox	A63B 22/0235	2014/0121066 A1 *	5/2014	Huang	A63B 22/02
			193/35 J				482/54
6,884,201 B2 *	4/2005	Wu	A63B 22/0023	2014/0221167 A1 *	8/2014	Wu	A63B 22/0235
			482/54				482/54
6,887,185 B1 *	5/2005	Kuo	A63B 22/02	2014/0274579 A1 *	9/2014	Olson	A63B 22/0023
			482/54				482/54
7,367,926 B2 *	5/2008	Clark	A63B 22/0235	2016/0096064 A1 *	4/2016	Gatti	A63B 22/02
			482/54				482/54
D607,067 S *	12/2009	Wu	D21/669	2016/0279465 A1 *	9/2016	Chang	A63B 22/02
7,815,550 B2 *	10/2010	Watterson	A63B 22/02				482/54
			482/54	2016/0287930 A1 *	10/2016	Moser	A63B 22/0207
7,828,699 B2 *	11/2010	P'erez De Lazarraga	A63B 22/02				482/54
			482/54	2016/0346618 A1 *	12/2016	Ashby	G09B 19/0038
D690,782 S *	10/2013	Perkins	D21/669				482/54
D704,778 S *	5/2014	Decommer	D21/669	2017/0113093 A1 *	4/2017	Bellavista	A63B 22/0023
D707,763 S *	6/2014	Cutler	D21/669				482/54
			482/54	2017/0333747 A1 *	11/2017	Athey	A63B 22/0228
			482/54				482/54
			482/54	2017/0333751 A1 *	11/2017	Seol	A63B 24/0062
			482/54				482/54
			482/54	2018/0043207 A1 *	2/2018	Moser	A63B 22/0207
			482/54				482/54
			482/54	2018/0126249 A1 *	5/2018	Consiglio	A63B 71/0619
			482/54				482/54
			482/54	2018/0140903 A1 *	5/2018	Poure	A63B 24/0087
			482/54				482/54
			482/54	2019/0192952 A1 *	6/2019	Powell	A63B 22/0221
			482/54				482/54
			482/54	2019/0290956 A1 *	9/2019	Ren	A63B 22/0235

* cited by examiner

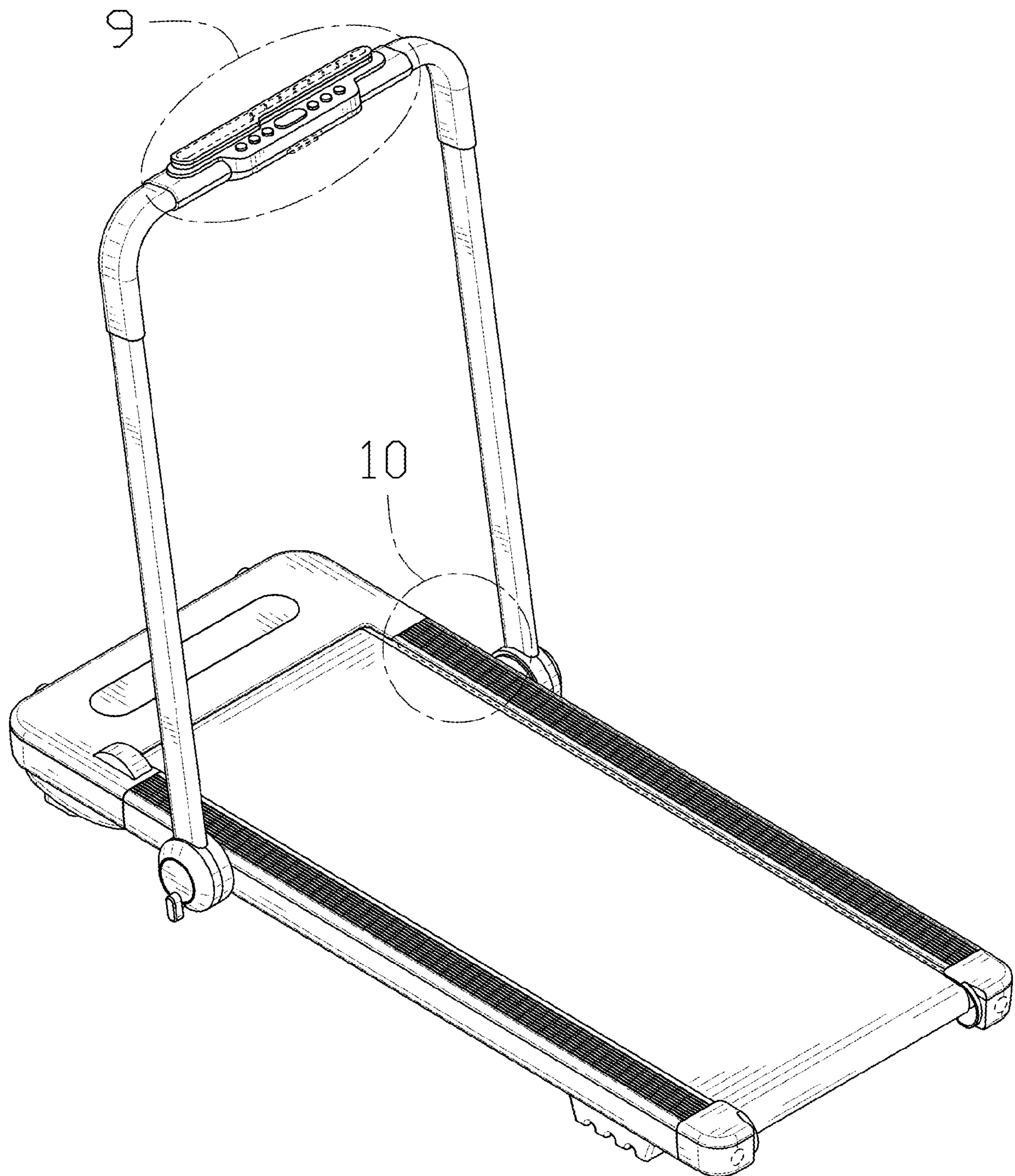


FIG. 1

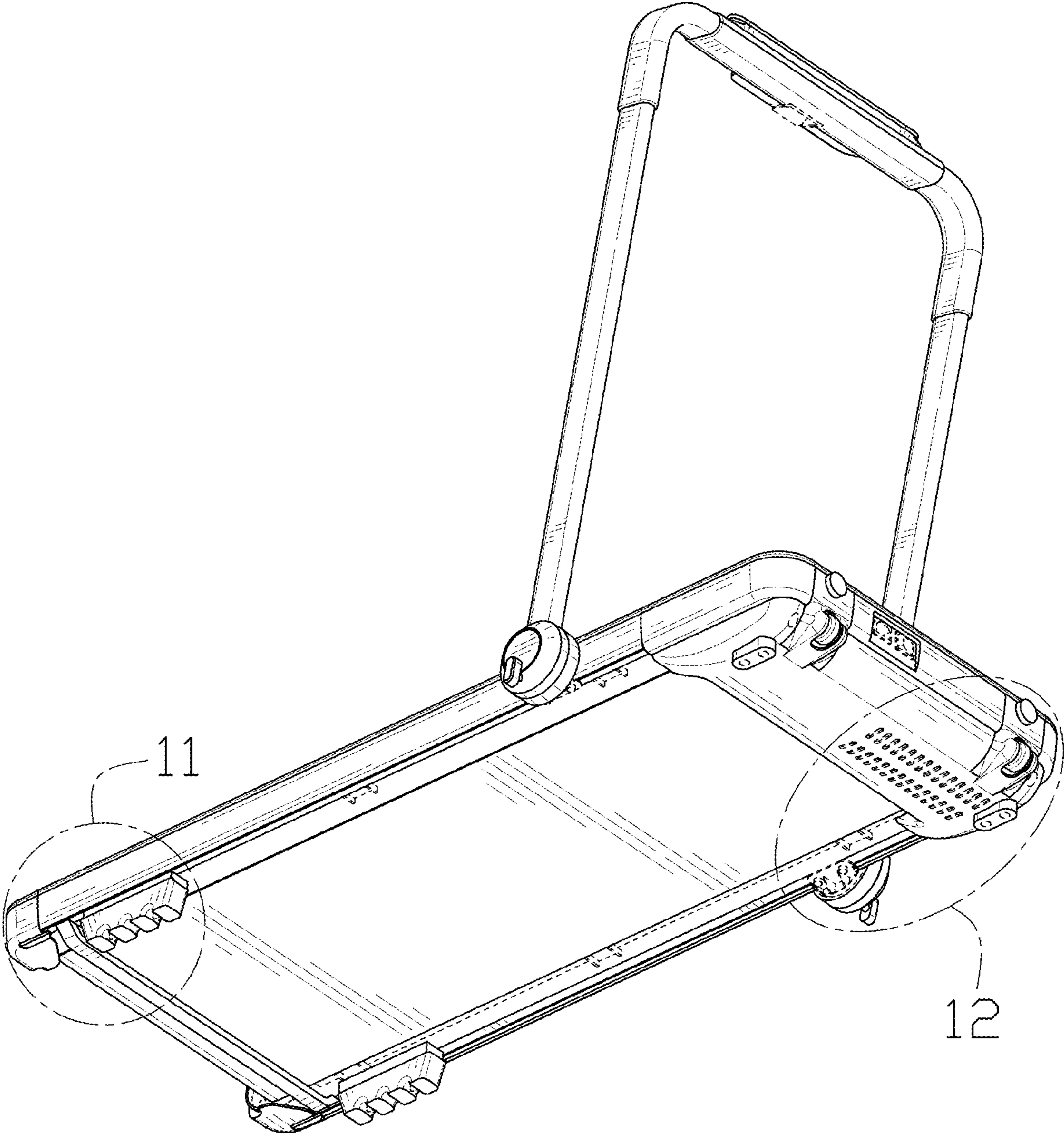


FIG. 2

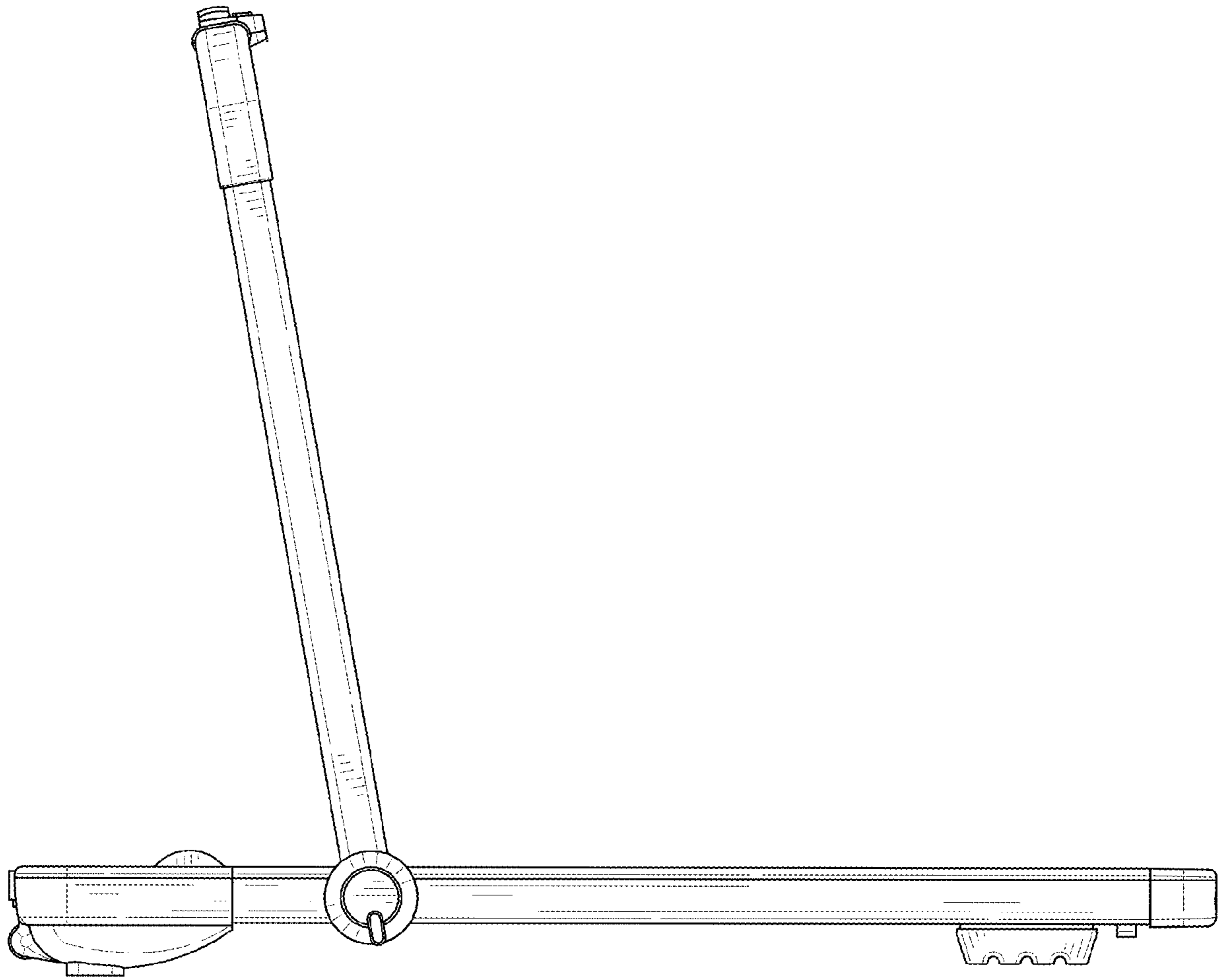


FIG. 3

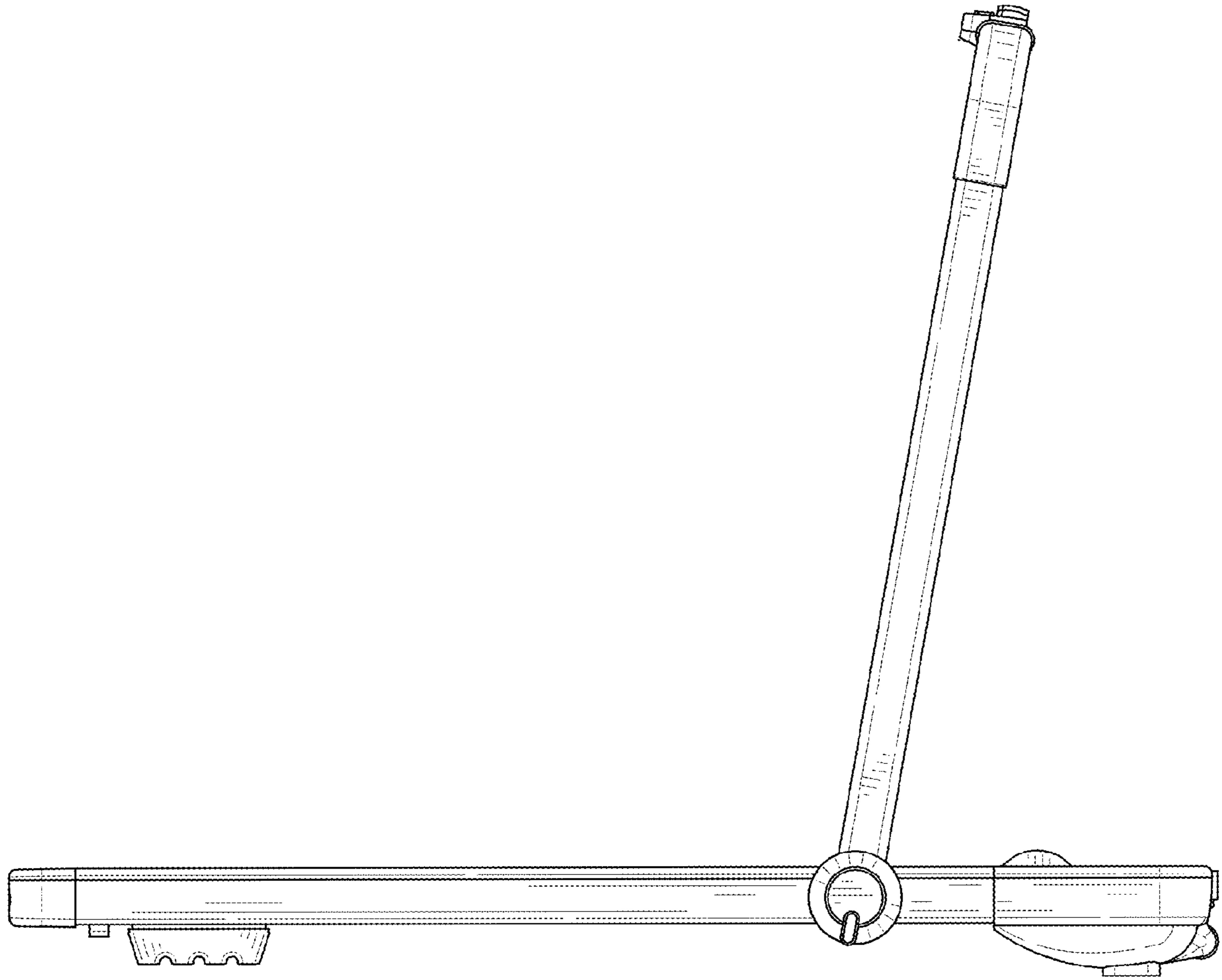


FIG. 4

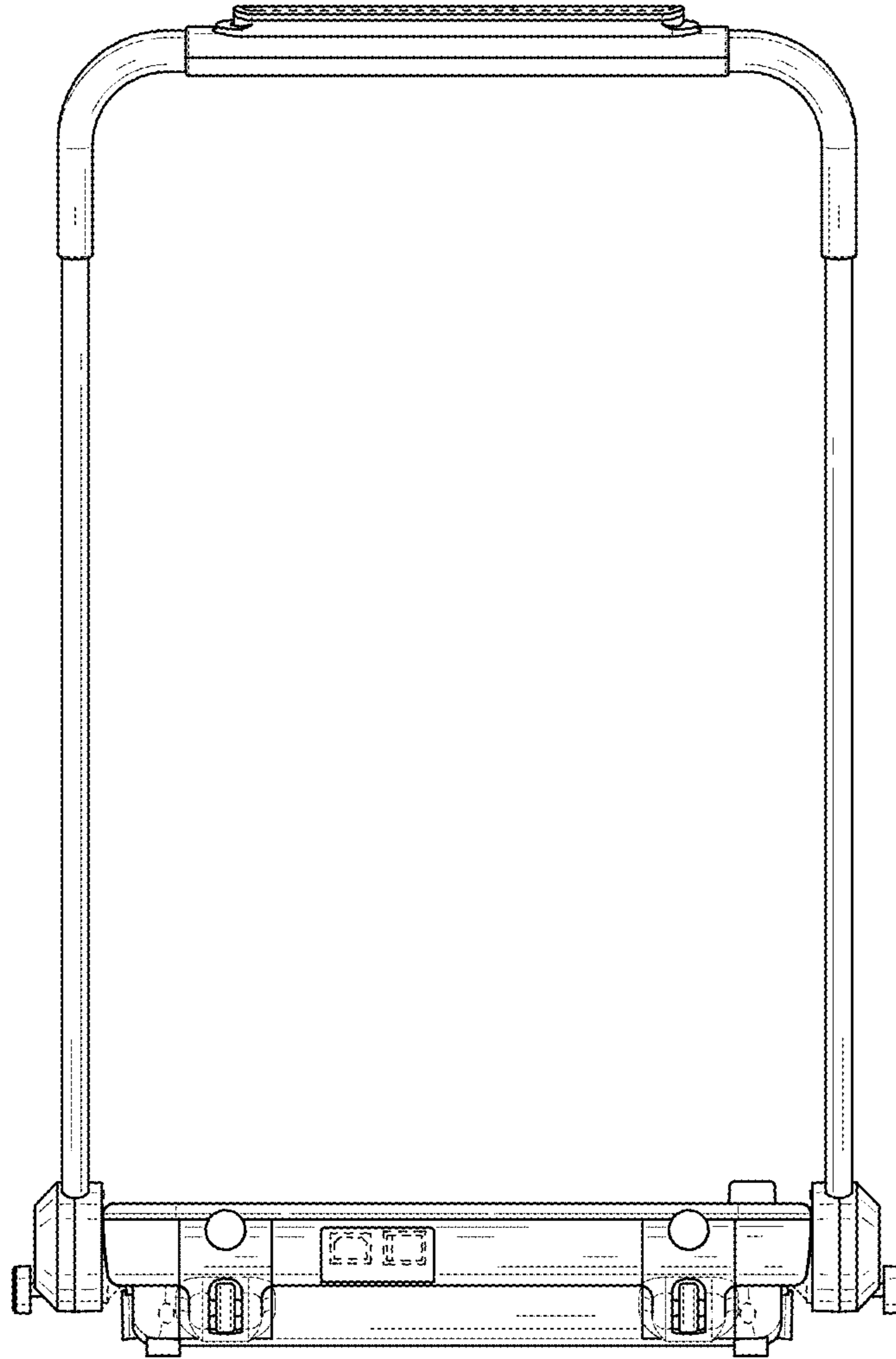


FIG. 5

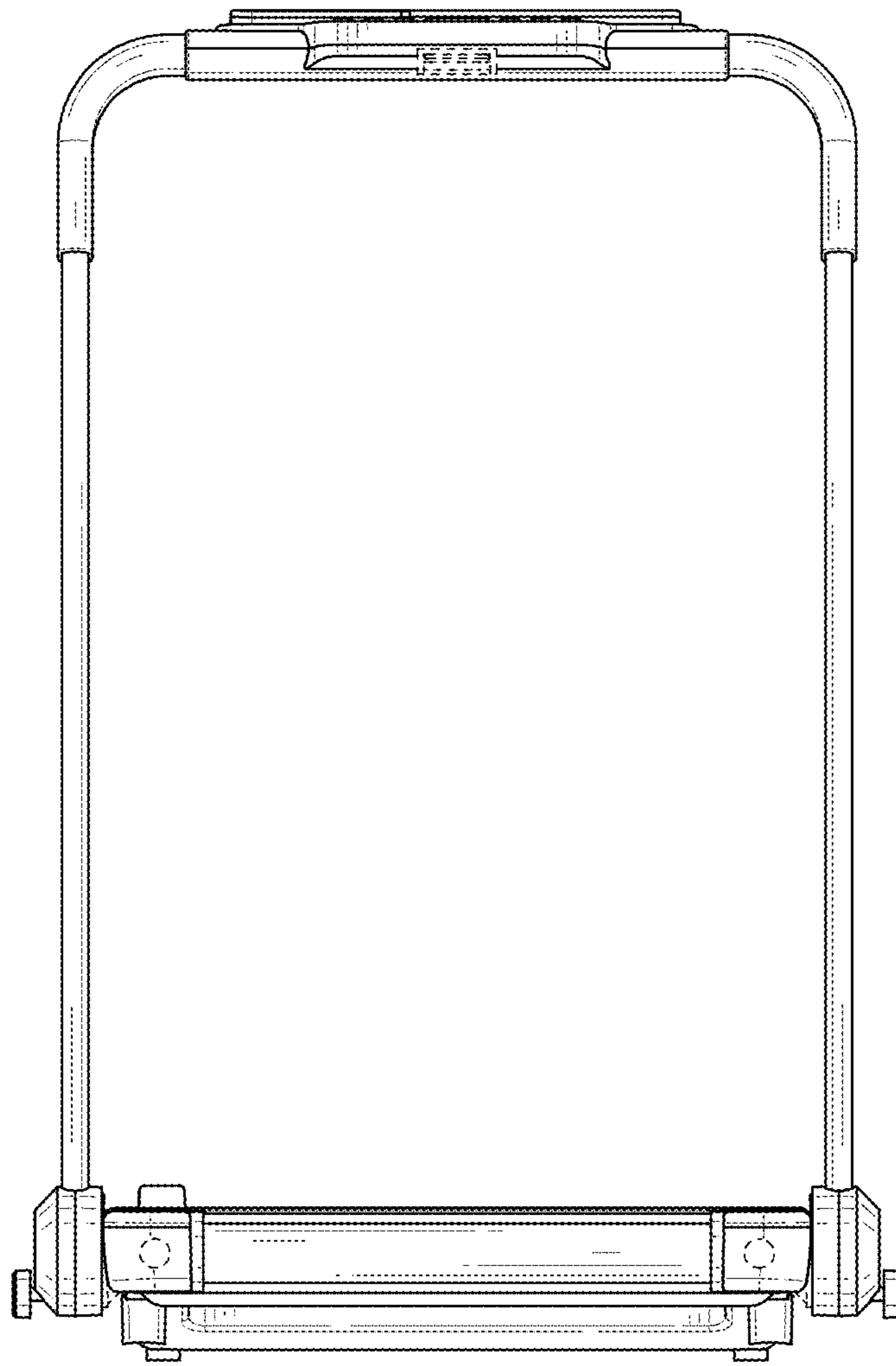


FIG. 6

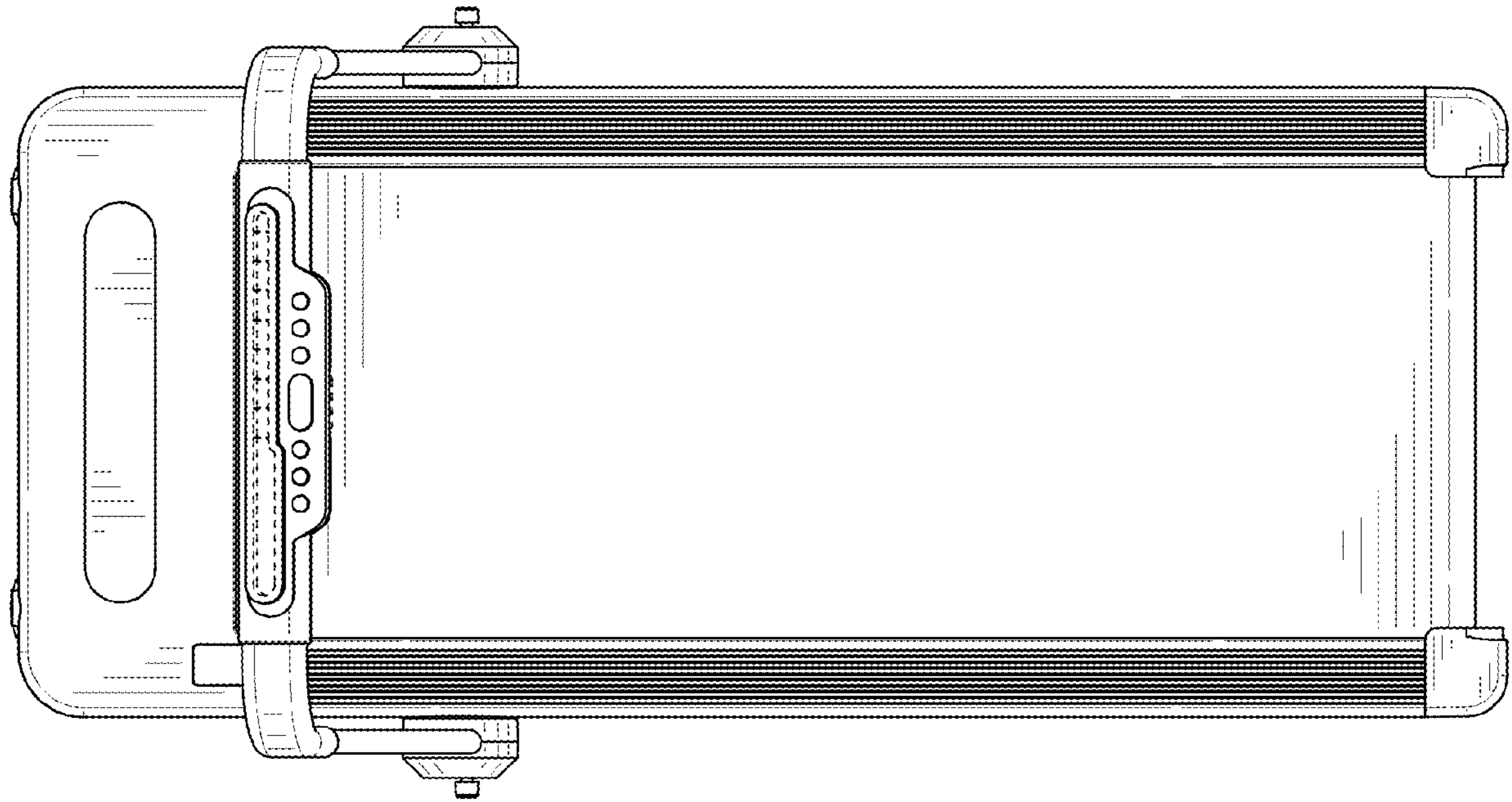


FIG. 7

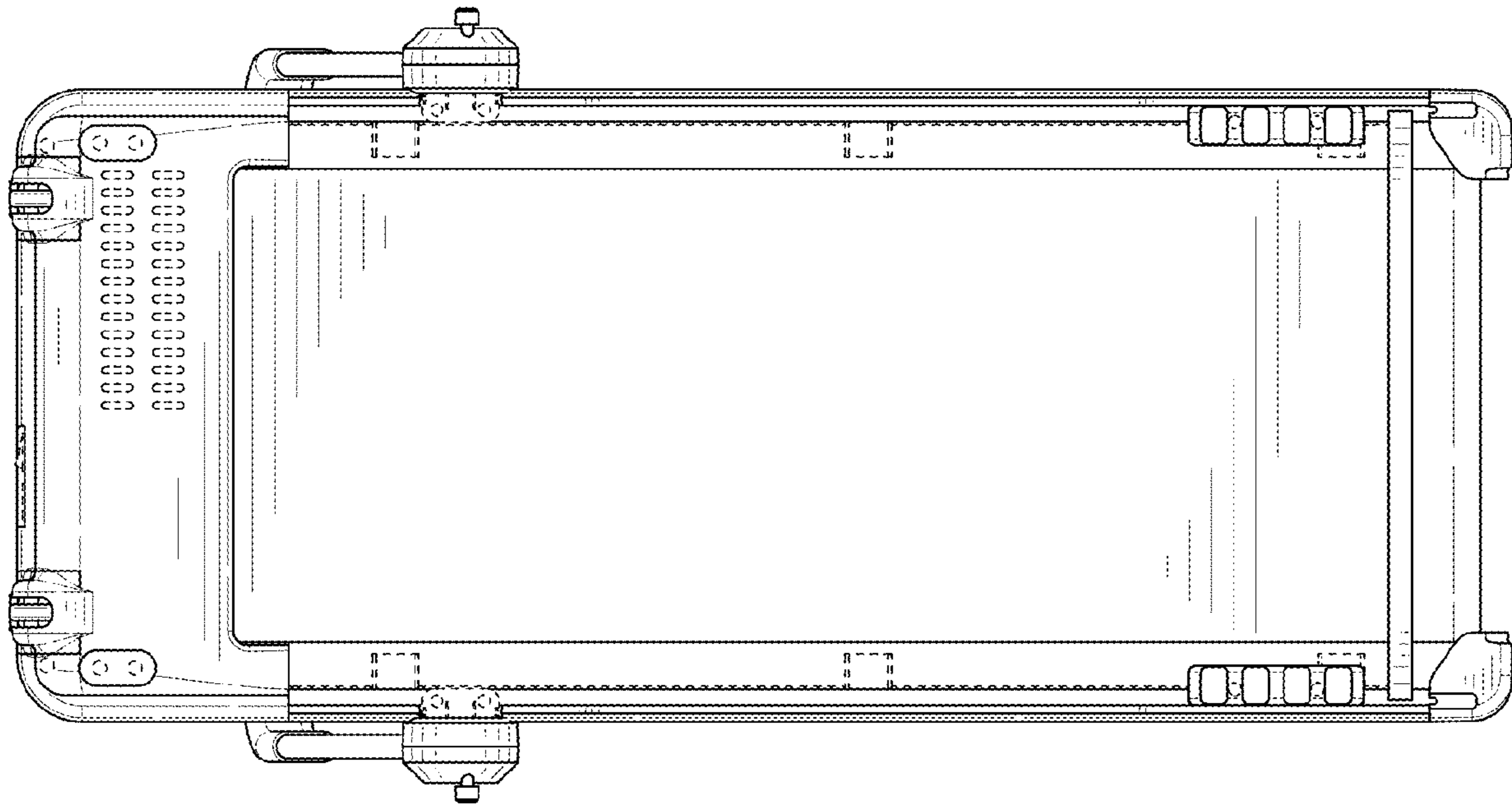


FIG. 8

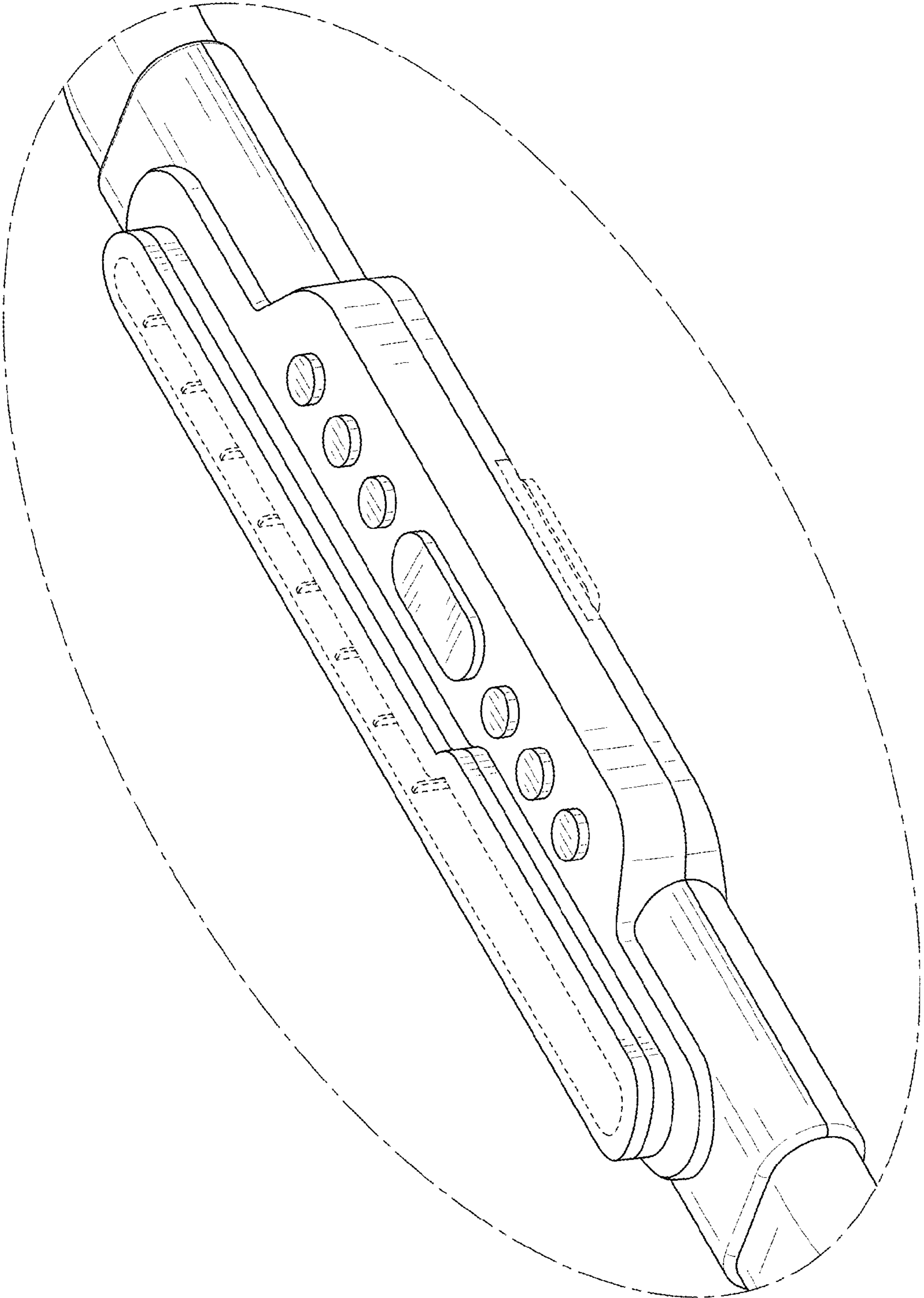


FIG. 9

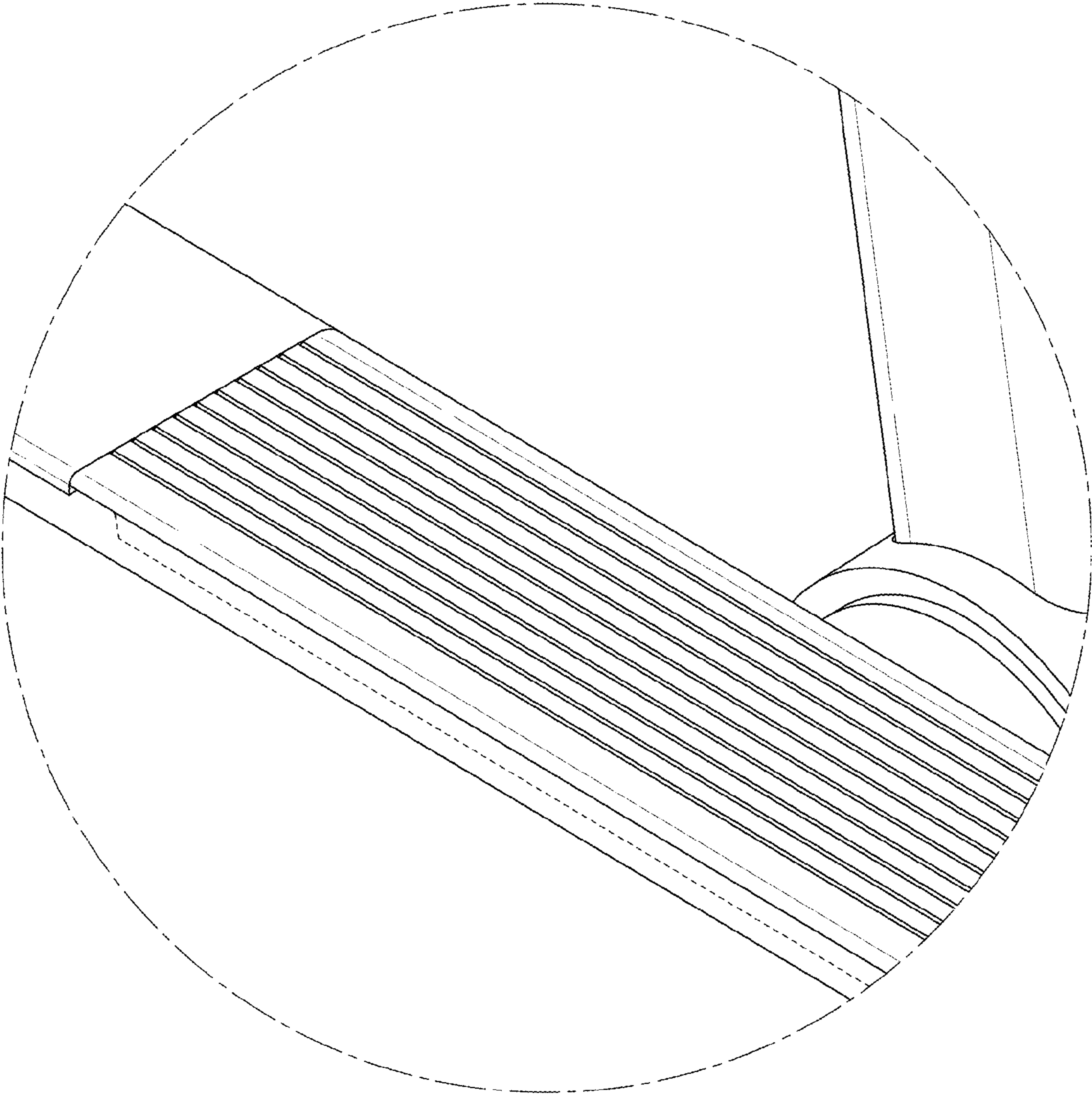


FIG. 10

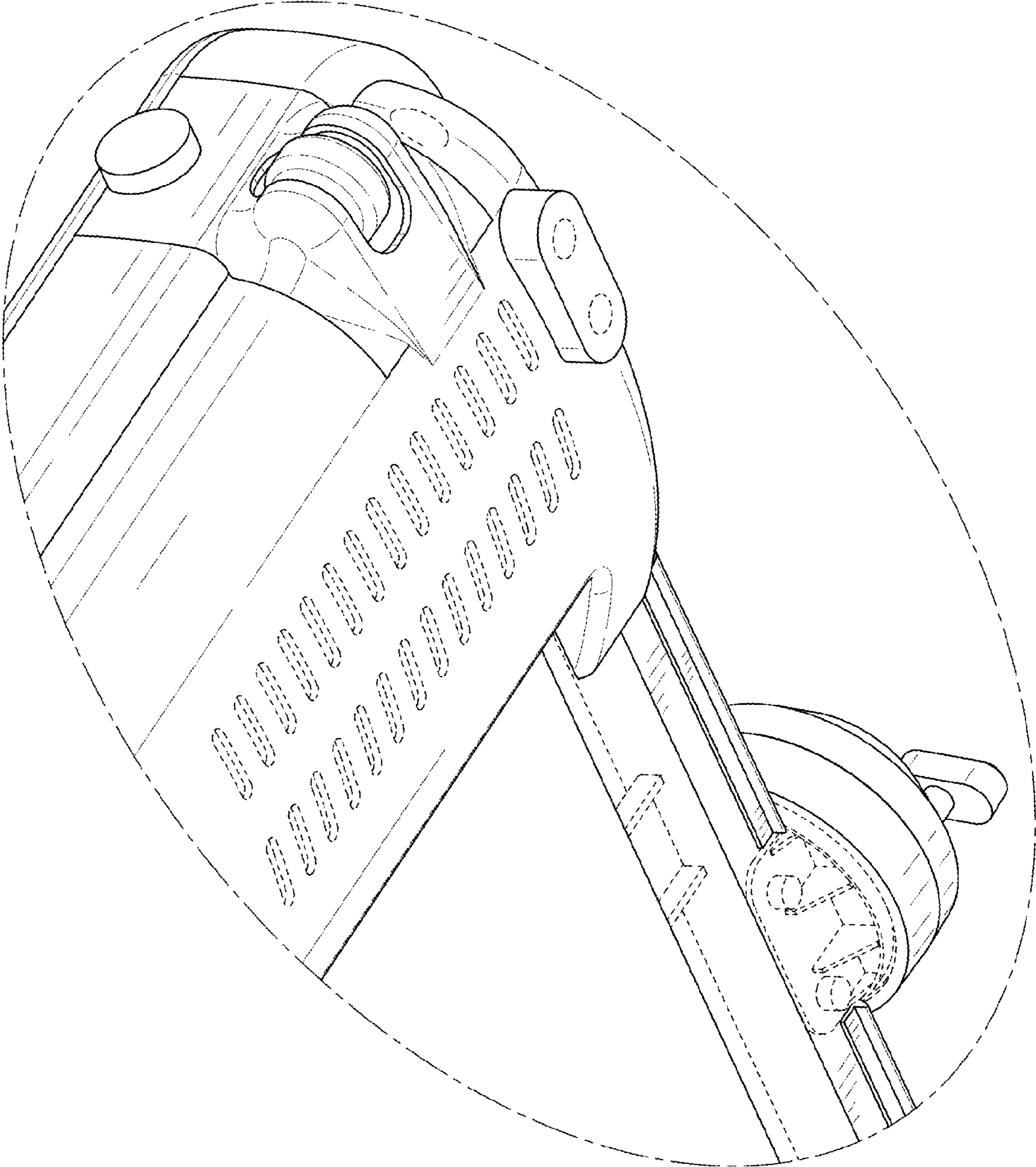


FIG. 11

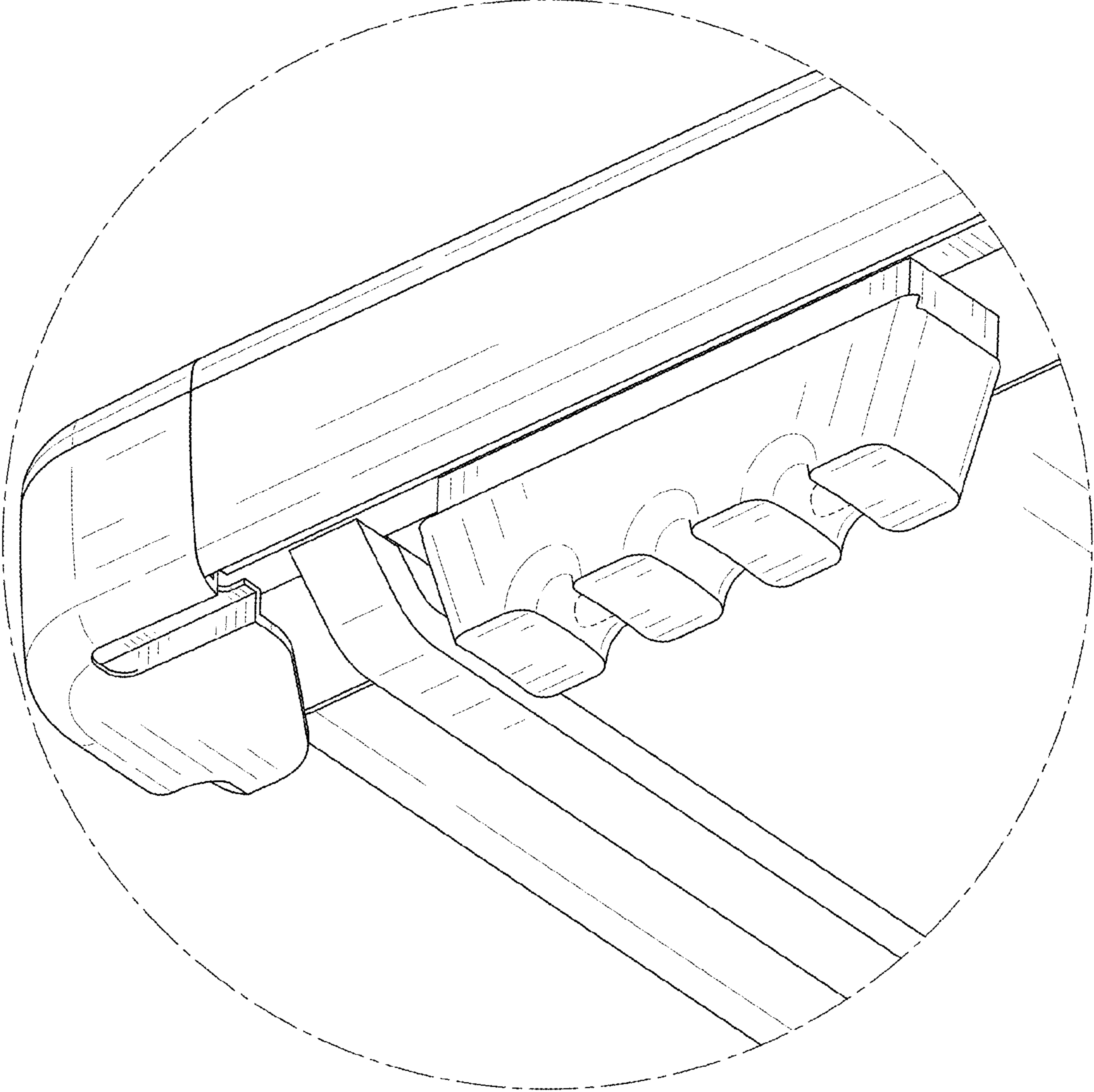


FIG. 12