



US00D908816S

(12) **United States Design Patent**  
**Cheng et al.**

(10) **Patent No.:** **US D908,816 S**  
(45) **Date of Patent:** **\*\* Jan. 26, 2021**

- (54) **TOY GUN**
- (71) Applicants: **Pianpian Cheng**, Foshan (CN); **Chao Qiu**, Foshan (CN)
- (72) Inventors: **Pianpian Cheng**, Foshan (CN); **Chao Qiu**, Foshan (CN)
- (\*\*) Term: **15 Years**
- (21) Appl. No.: **29/732,297**
- (22) Filed: **Apr. 23, 2020**
- (51) **LOC (13) Cl.** ..... **21-01**
- (52) **U.S. Cl.**  
USPC ..... **D21/573**
- (58) **Field of Classification Search**  
USPC ..... D21/333, 570, 573-575; D14/418;  
D22/100, 103  
CPC .... F41B 7/00; F41B 7/003; F41B 7/08; F41B  
9/00; F41B 9/0078; F41B 9/0081; F41B  
11/89; A63H 5/04  
See application file for complete search history.

- D693,347 S \* 11/2013 Augustin, Jr. .... D14/418
- D693,811 S \* 11/2013 Augustin, Jr. .... D14/418
- D698,871 S \* 2/2014 Cummings ..... D21/570
- D729,880 S \* 5/2015 Nichols ..... D21/573
- D766,380 S 9/2016 Crye et al.
- D786,986 S \* 5/2017 Su ..... D21/570
- D832,370 S 10/2018 Chen
- D832,939 S 11/2018 Chen
- D842,390 S 3/2019 Iwasawa
- 10,322,355 B1 \* 6/2019 Liu ..... A63H 5/04
- 2012/0024278 A1 \* 2/2012 Carlson ..... F42B 6/10  
124/65
- 2017/0356716 A1 \* 12/2017 Mitchell ..... F41B 11/89

\* cited by examiner

*Primary Examiner* — Cynthia M. Chin

(74) *Attorney, Agent, or Firm* — Law Offices of Steven W. Weinrieb

(57) **CLAIM**

The ornamental design for a toy gun, as shown and described.

**DESCRIPTION**

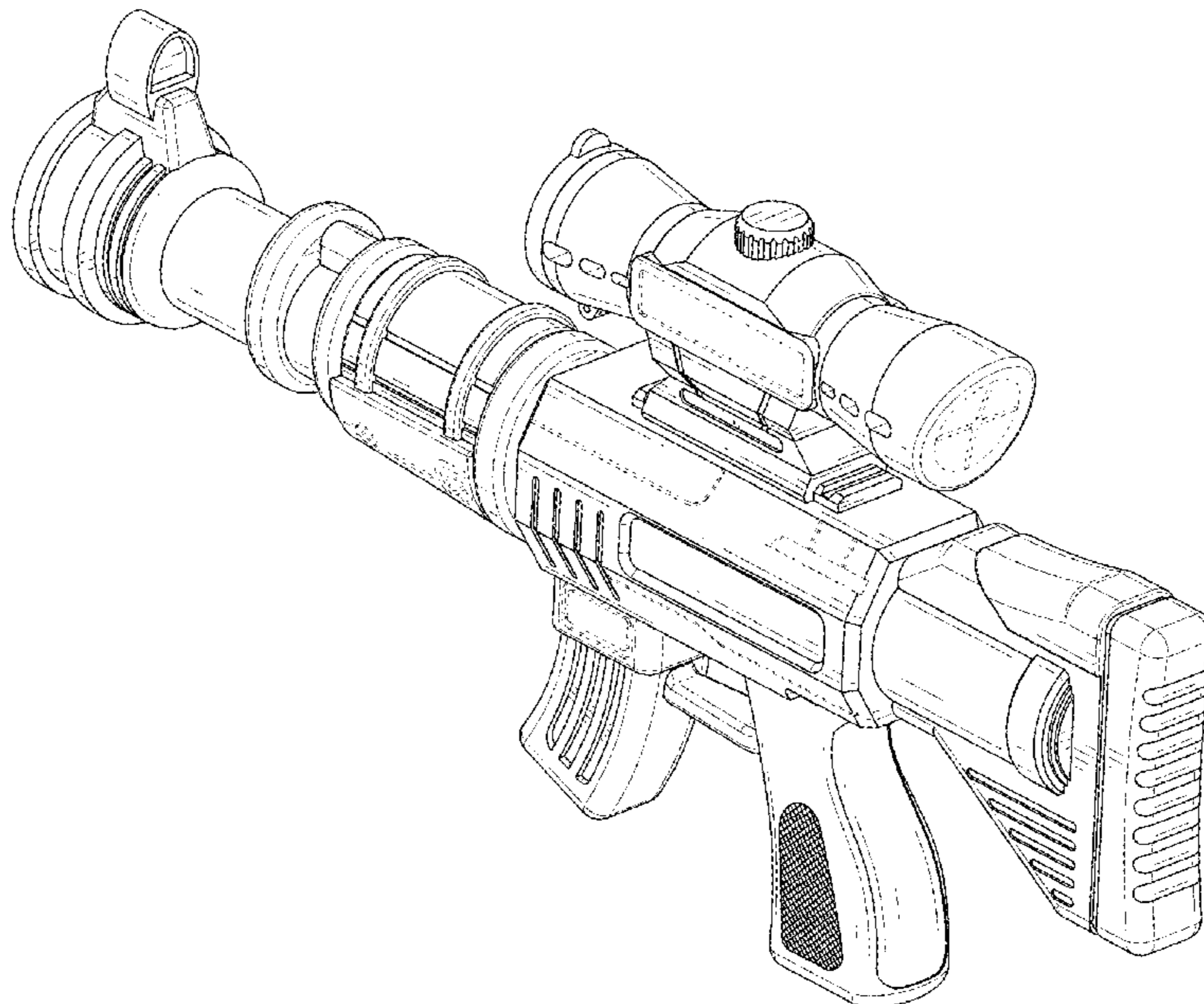
FIG. 1 is a front, right side, top perspective view of a toy gun showing my new design;  
 FIG. 2 is a rear, left side, bottom perspective view thereof;  
 FIG. 3 is a front elevational view thereof;  
 FIG. 4 is a rear elevational view thereof;  
 FIG. 5 is a left side elevational view thereof;  
 FIG. 6 is a right side elevational view thereof;  
 FIG. 7 is a top plan view thereof;  
 FIG. 8 is a bottom plan view thereof; and,  
 FIG. 9 is a front, right side, top perspective view thereof showing the barrel portion of the toy gun being disposed in an extended condition.  
 The broken lines depict portions of the toy gun that form no part of the claimed design.

**1 Claim, 8 Drawing Sheets**

(56) **References Cited**

**U.S. PATENT DOCUMENTS**

- 4,175,747 A \* 11/1979 Hudson ..... F41A 33/00  
273/358
- D265,221 S 6/1982 Hardin
- D286,308 S \* 10/1986 Mayer ..... D21/573
- D367,685 S \* 3/1996 Luk ..... D21/572
- D396,068 S \* 7/1998 Chikui ..... D21/385
- D410,048 S \* 5/1999 Luk ..... D21/572
- D438,916 S 3/2001 Wan
- D443,903 S 6/2001 Wang
- D635,200 S 3/2011 Nadel
- D646,281 S \* 10/2011 Markowitz ..... D14/418
- D662,152 S \* 6/2012 Markowitz ..... D21/573
- D664,606 S 7/2012 Johnson
- D664,607 S \* 7/2012 Jablonski ..... D21/573



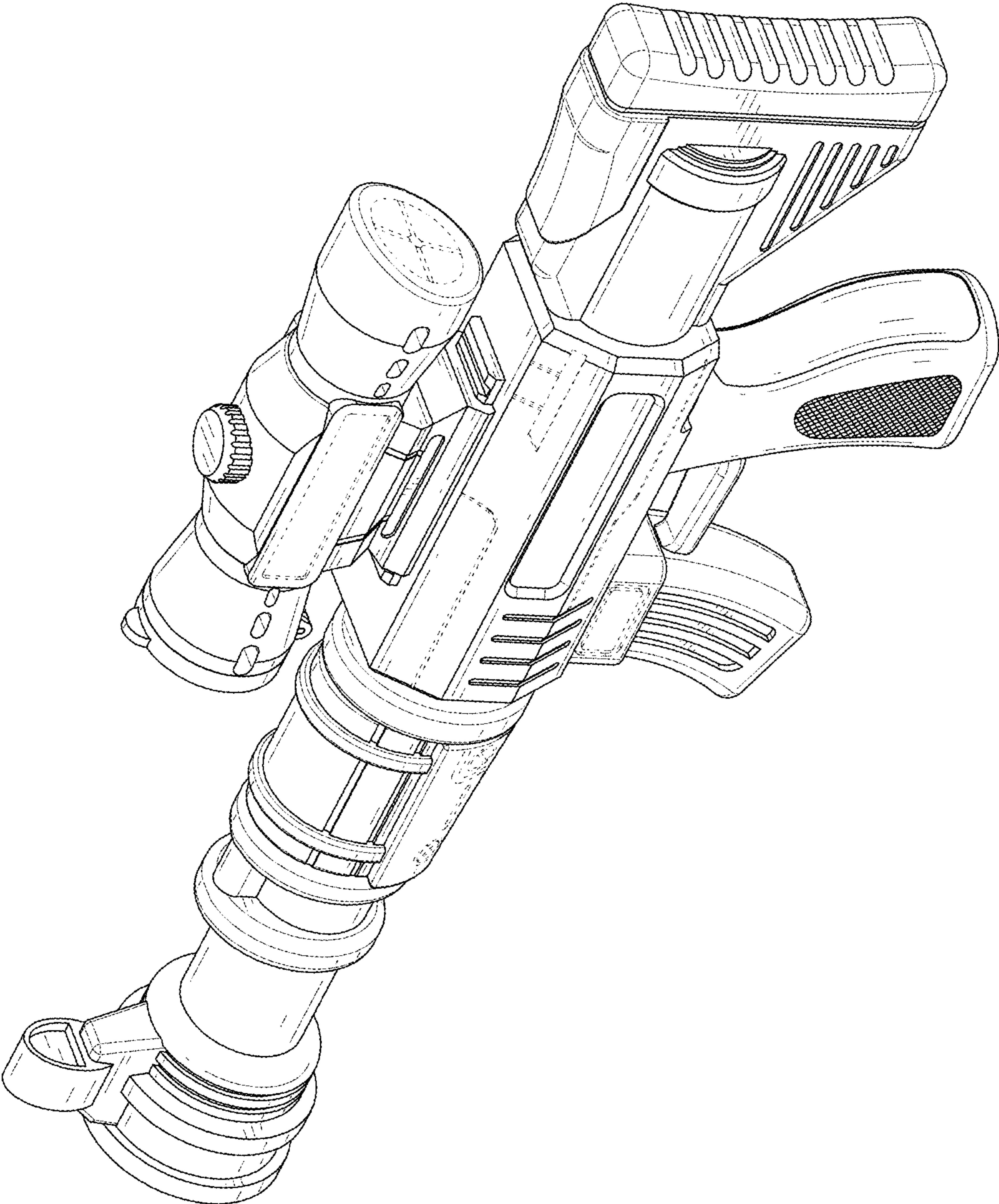


FIG.1

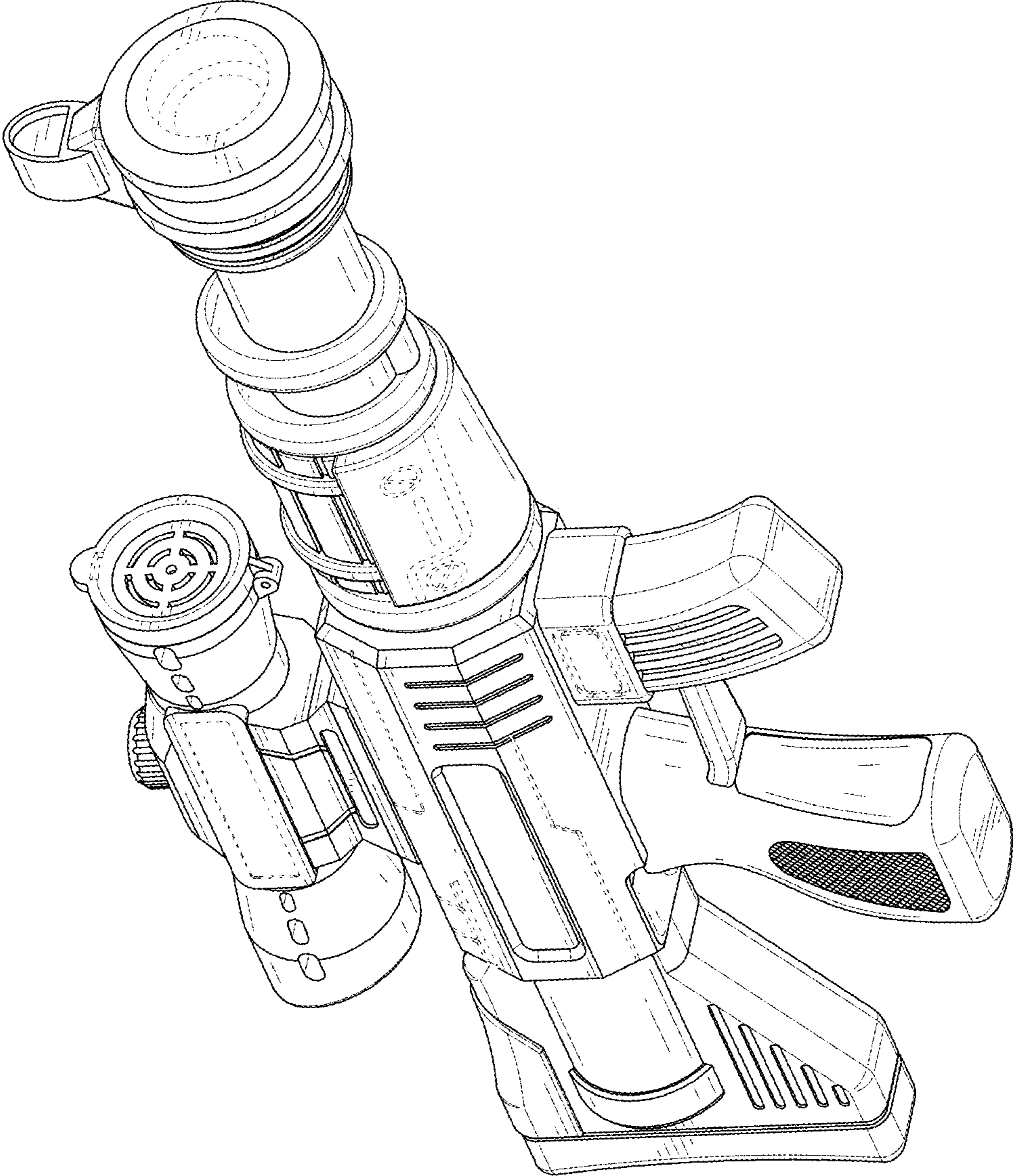


FIG.2

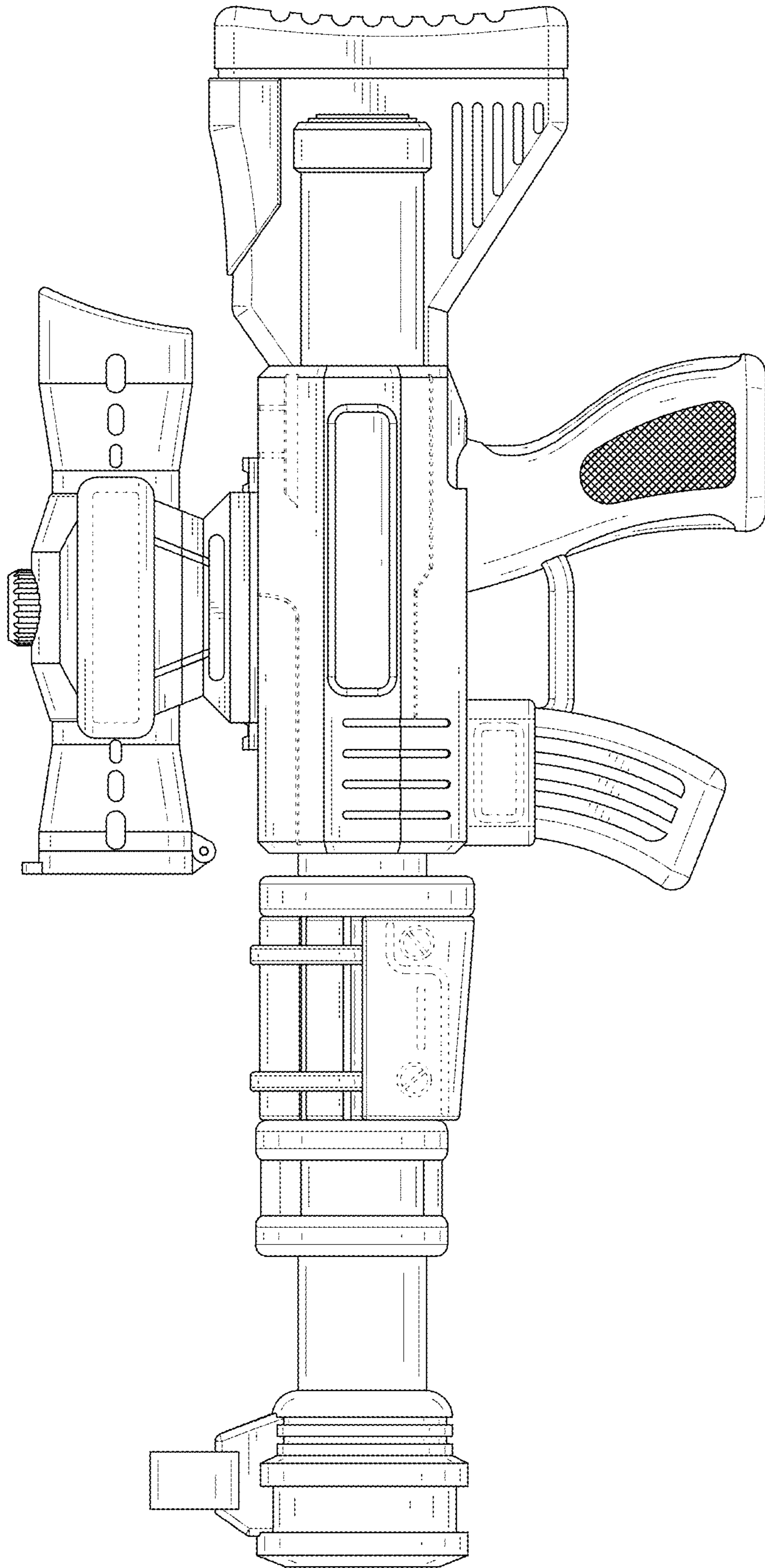


FIG. 3

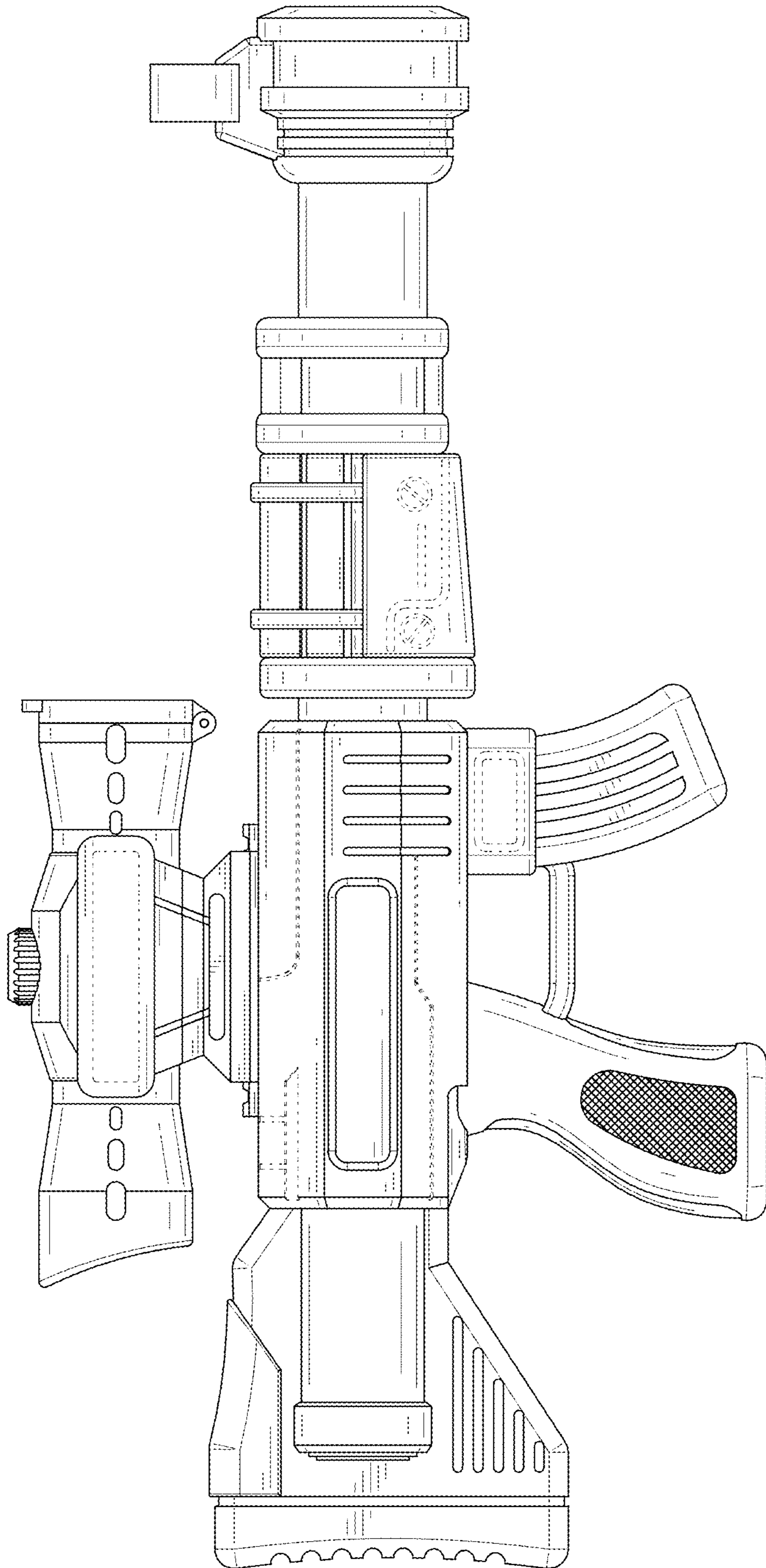


FIG. 4

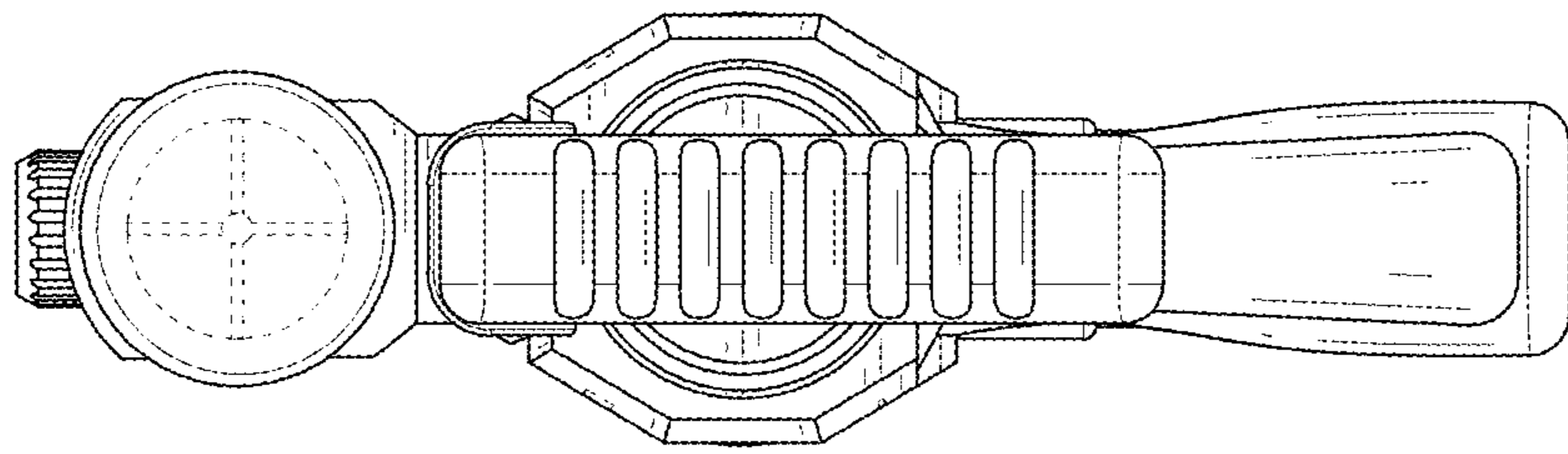


FIG.6

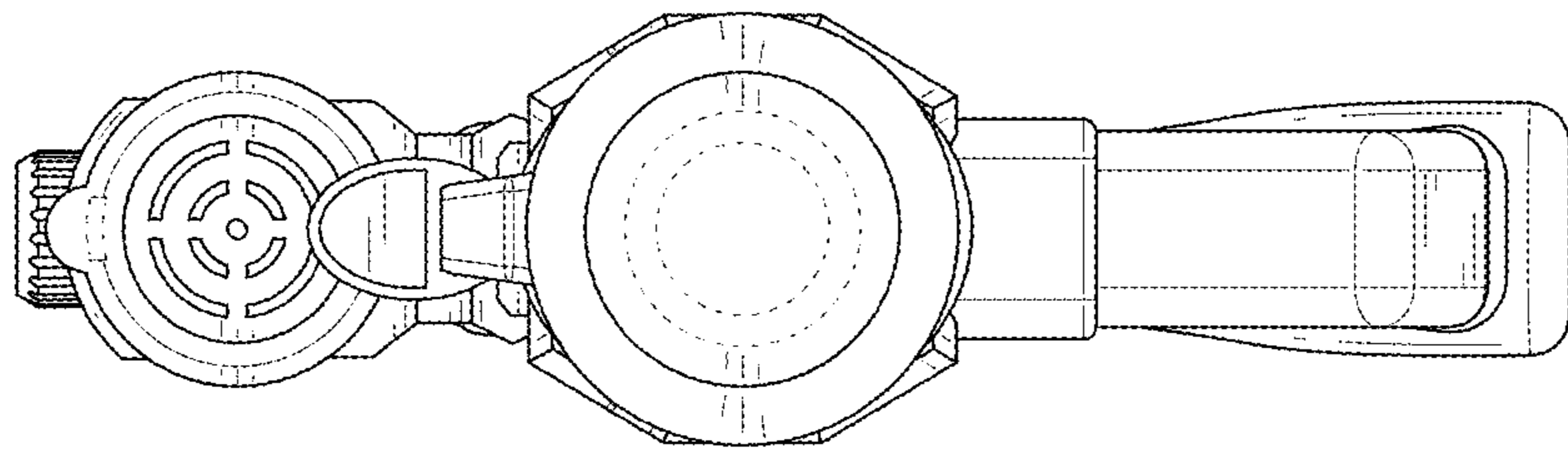


FIG.5

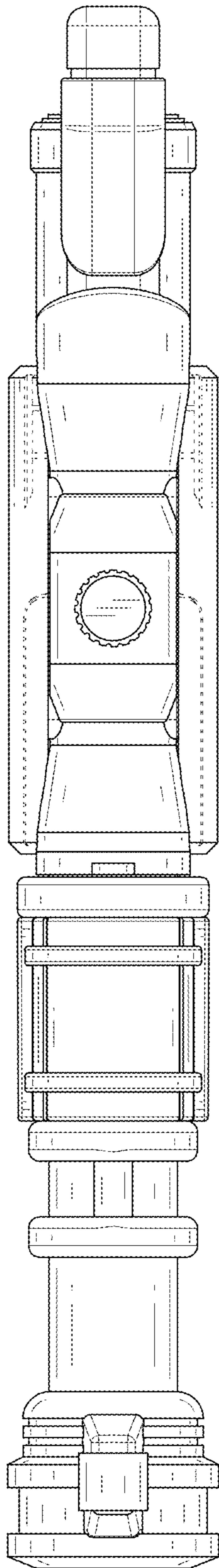


FIG. 7

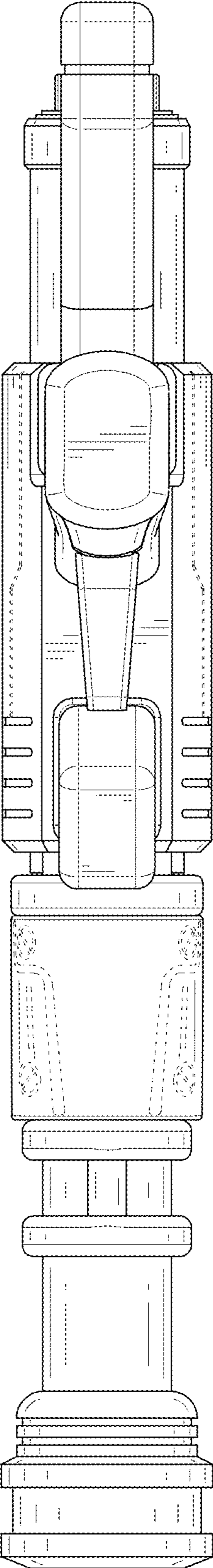


FIG. 8



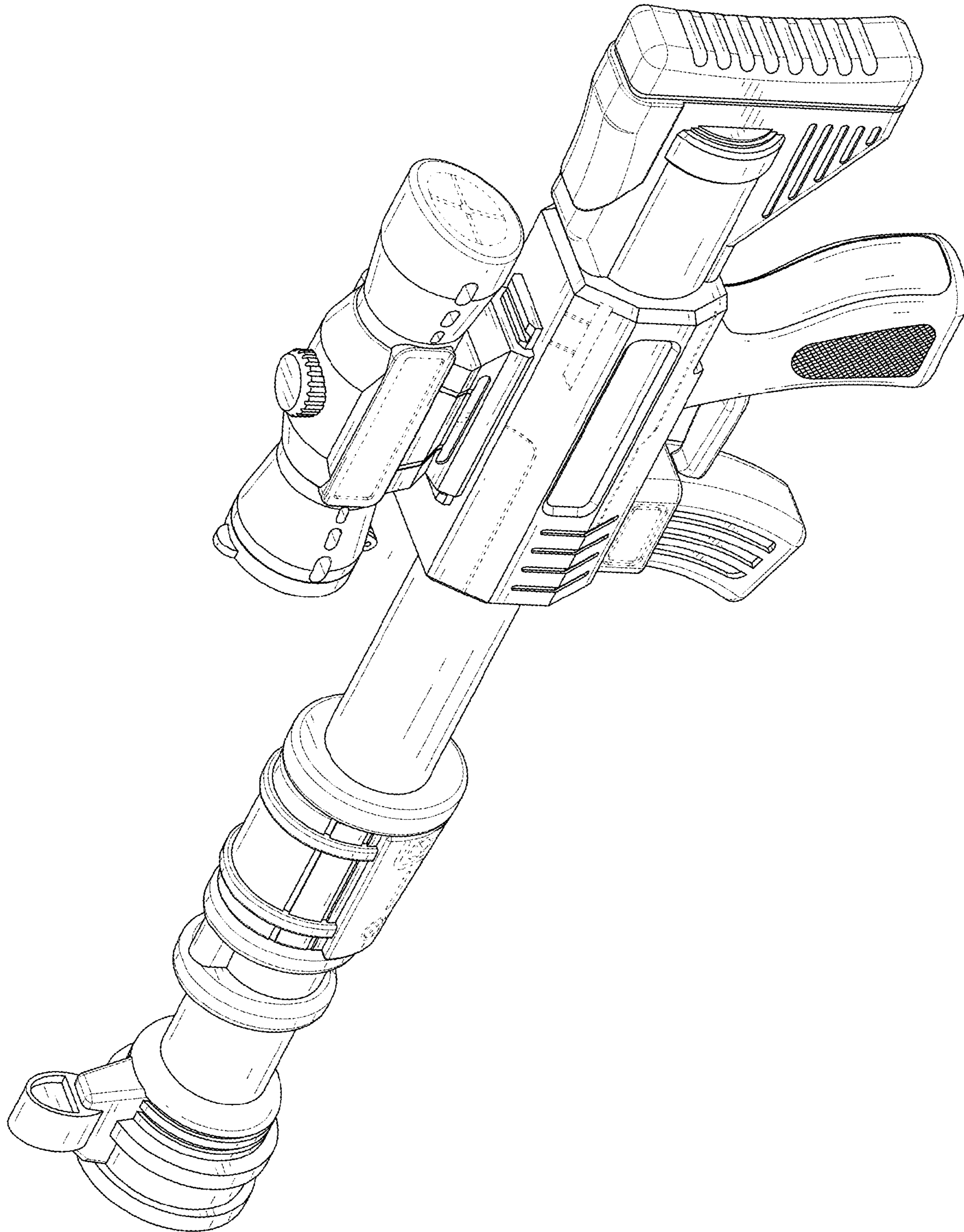


FIG. 9