



US00D908813S

(12) **United States Design Patent**
Chen

(10) **Patent No.:** **US D908,813 S**

(45) **Date of Patent:** **** Jan. 26, 2021**

(54) **SET OF SOFT BLOCKS**

(71) Applicant: **Shantou Chenghai District Wangle Toys Firm**, Guangdong (CN)

(72) Inventor: **Guilan Chen**, Guangdong (CN)

(73) Assignee: **Shantou Chenghai District Wangle Toys Firm**, Guangdong (CN)

(**) Term: **15 Years**

(21) Appl. No.: **29/741,079**

(22) Filed: **Jul. 9, 2020**

(51) **LOC (13) Cl.** **21-01**

(52) **U.S. Cl.**
USPC **D21/499**

(58) **Field of Classification Search**
USPC D21/468, 471, 499, 500, 501, 504;
D19/20, 25, 59

(Continued)

(56) **References Cited**

U.S. PATENT DOCUMENTS

1,895,611 A * 1/1933 Doak G09B 1/36
434/403
D245,422 S * 8/1977 Vanderhyden, Jr. D19/25

(Continued)

Primary Examiner — Cynthia M. Chin

(74) *Attorney, Agent, or Firm* — ScienBiziP, P.C.

(57) **CLAIM**

The ornamental design for a set of soft blocks, as shown and described.

DESCRIPTION

FIG. 1 is a front and left perspective view of a first block of a set of soft blocks, showing my design.

FIG. 2 is a front elevation view of the first block.

FIG. 3 is a rear elevation view of the first block.

FIG. 4 is a left side elevation view of the first block.

FIG. 5 is a right side elevation view of the first block.

FIG. 6 is a top plan view of the first block.

FIG. 7 is a bottom plan view of the first block.

FIG. 8 is a front and left perspective view of a second block of the set of soft blocks, showing my design.

FIG. 9 is a front elevation view of the second block.

FIG. 10 is a rear elevation view of the second block.

FIG. 11 is a left side elevation view of the second block.

FIG. 12 is a right side elevation view of the second block.

FIG. 13 is a top plan view of the second block.

FIG. 14 is a bottom plan view of the second block.

FIG. 15 is a front and left perspective view of a third block of the set of soft blocks, showing my design.

FIG. 16 is a front elevation view of the third block.

FIG. 17 is a rear elevation view of the third block.

FIG. 18 is a left side elevation view of the third block.

FIG. 19 is a right side elevation view of the third block.

FIG. 20 is a top plan view of the third block.

FIG. 21 is a bottom plan view of the third block.

FIG. 22 is a front and left perspective view of a fourth block of the set of soft blocks, showing my design.

FIG. 23 is a front elevation view of the fourth block.

FIG. 24 is a rear elevation view of the fourth block.

FIG. 25 is a left side elevation view of the fourth block.

FIG. 26 is a right side elevation view of the fourth block.

FIG. 27 is a top plan view of the fourth block.

FIG. 28 is a bottom plan view of the fourth block.

FIG. 29 is a front and left perspective view of a fifth block of the set of soft blocks, showing my design.

FIG. 30 is a front elevation view of the fifth block.

FIG. 31 is a rear elevation view of the fifth block.

FIG. 32 is a left side elevation view of the fifth block.

FIG. 33 is a right side elevation view of the fifth block.

FIG. 34 is a top plan view of the fifth block.

FIG. 35 is a bottom plan view of the fifth block.

FIG. 36 is a front and left perspective view of a sixth block of the set of soft blocks, showing my design.

FIG. 37 is a front elevation view of the sixth block.

FIG. 38 is a rear elevation view of the sixth block.

FIG. 39 is a left side elevation view of the sixth block.

FIG. 40 is a right side elevation view of the sixth block.

FIG. 41 is a top plan view of the sixth block.

(Continued)

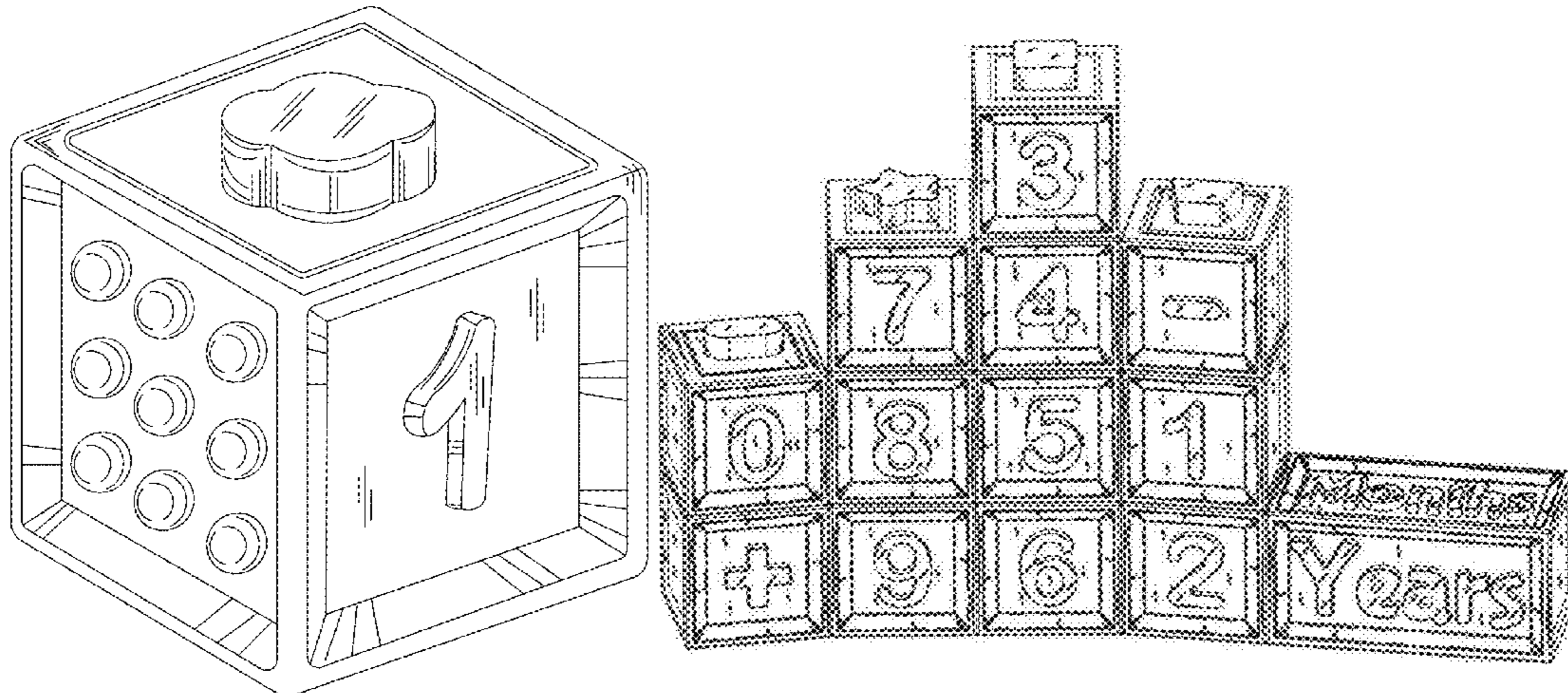


FIG. 42 is a bottom plan view of the sixth block.
 FIG. 43 is a front and left perspective view of a seventh block of the set of soft blocks, showing my design.
 FIG. 44 is a front elevation view of the seventh block.
 FIG. 45 is a rear elevation view of the seventh block.
 FIG. 46 is a left side elevation view of the seventh block.
 FIG. 47 is a right side elevation view of the seventh block.
 FIG. 48 is a top plan view of the seventh block.
 FIG. 49 is a bottom plan view of the seventh block.
 FIG. 50 is a front and left perspective view of an eighth block of the set of soft blocks, showing my design.
 FIG. 51 is a front elevation view of the eighth block.
 FIG. 52 is a rear elevation view of the eighth block.
 FIG. 53 is a left side elevation view of the eighth block.
 FIG. 54 is a right side elevation view of the eighth block.
 FIG. 55 is a top plan view of the eighth block.
 FIG. 56 is a bottom plan view of the eighth block.
 FIG. 57 is a front and left perspective view of a ninth block of the set of soft blocks, showing my design.
 FIG. 58 is a front elevation view of the ninth block.
 FIG. 59 is a rear elevation view of the ninth block.
 FIG. 60 is a left side elevation view of the ninth block.
 FIG. 61 is a right side elevation view of the ninth block.
 FIG. 62 is a top plan view of the ninth block.
 FIG. 63 is a bottom plan view of the ninth block.
 FIG. 64 is a front and left perspective view of a tenth block of the set of soft blocks, showing my design.
 FIG. 65 is a front elevation view of the tenth block.
 FIG. 66 is a rear elevation view of the tenth block.
 FIG. 67 is a left side elevation view of the tenth block.
 FIG. 68 is a right side elevation view of the tenth block.
 FIG. 69 is a top plan view of the tenth block.
 FIG. 70 is a bottom plan view of the tenth block.
 FIG. 71 is a front and left perspective view of an eleventh block of the set of soft blocks, showing my design.
 FIG. 72 is a front elevation view of the eleventh block.
 FIG. 73 is a rear elevation view of the eleventh block.
 FIG. 74 is a left side elevation view of the eleventh block.
 FIG. 75 is a right side elevation view of the eleventh block.
 FIG. 76 is a top plan view of the eleventh block.
 FIG. 77 is a bottom plan view of the eleventh block.
 FIG. 78 is a front and left perspective view of a twelfth block of the set of soft blocks, showing my design.
 FIG. 79 is a front elevation view of the twelfth block.
 FIG. 80 is a rear elevation view of the twelfth block.
 FIG. 81 is a left side elevation view of the twelfth block.
 FIG. 82 is a right side elevation view of the twelfth block.
 FIG. 83 is a top plan view of the twelfth block.
 FIG. 84 is a bottom plan view of the twelfth block.
 FIG. 85 is a front and left perspective view of a thirteenth block of the set of soft blocks, showing my design.

FIG. 86 is a front elevation view of the thirteenth block.
 FIG. 87 is a rear elevation view of the thirteenth block.
 FIG. 88 is a left side elevation view of the thirteenth block.
 FIG. 89 is a right side elevation view of the thirteenth block.
 FIG. 90 is a top plan view of the thirteenth block.
 FIG. 91 is a bottom plan view of the thirteenth block; and,
 FIG. 92 is a perspective view of the blocks from the first to the thirteenth combined together.
 The broken lines are for the purpose of illustrating portions of the article that form no part of the claimed design.

1 Claim, 46 Drawing Sheets

(58) **Field of Classification Search**

CPC A63H 33/00; A63H 33/06; G09B 1/00;
 G09B 1/16; G09B 1/32; G09B 1/34;
 G09B 1/40

See application file for complete search history.

(56) **References Cited**

U.S. PATENT DOCUMENTS

D251,993	S *	5/1979	Birdsall	D21/405
D297,244	S *	8/1988	Kennedy	D19/25
5,275,567	A *	1/1994	Whitfield	G09B 21/003 434/112
5,554,062	A *	9/1996	Goldsen	A63F 9/0098 434/171
D391,999	S *	3/1998	Chininis	D21/475
D446,826	S *	8/2001	Dunn	D21/398
D464,682	S *	10/2002	Lin	D21/499
D610,212	S *	2/2010	Pedersen	D21/499
D614,248	S *	4/2010	Pedersen	D21/499
D616,044	S *	5/2010	Tervo	D21/499
D698,869	S *	2/2014	Strzelewicz	D21/499
D718,394	S	11/2014	Weiss		
D722,658	S *	2/2015	Marschall	D21/499
D795,359	S *	8/2017	Ahn	D21/499
D829,828	S *	10/2018	McLachlan	D21/468
D832,365	S	10/2018	Williams et al.		
D859,537	S *	9/2019	McLachlan	D21/468
2002/0098774	A1 *	7/2002	Huang	G09B 19/02 446/487
2003/0148700	A1 *	8/2003	Arlinsky	G09B 1/40 446/91
2004/0259466	A1 *	12/2004	Maxwell	A63H 33/042 446/487
2007/0155279	A1 *	7/2007	Mastrosimone-Gese	A63H 33/006 446/227
2016/0358499	A1 *	12/2016	Tapia	G09B 1/16

* cited by examiner

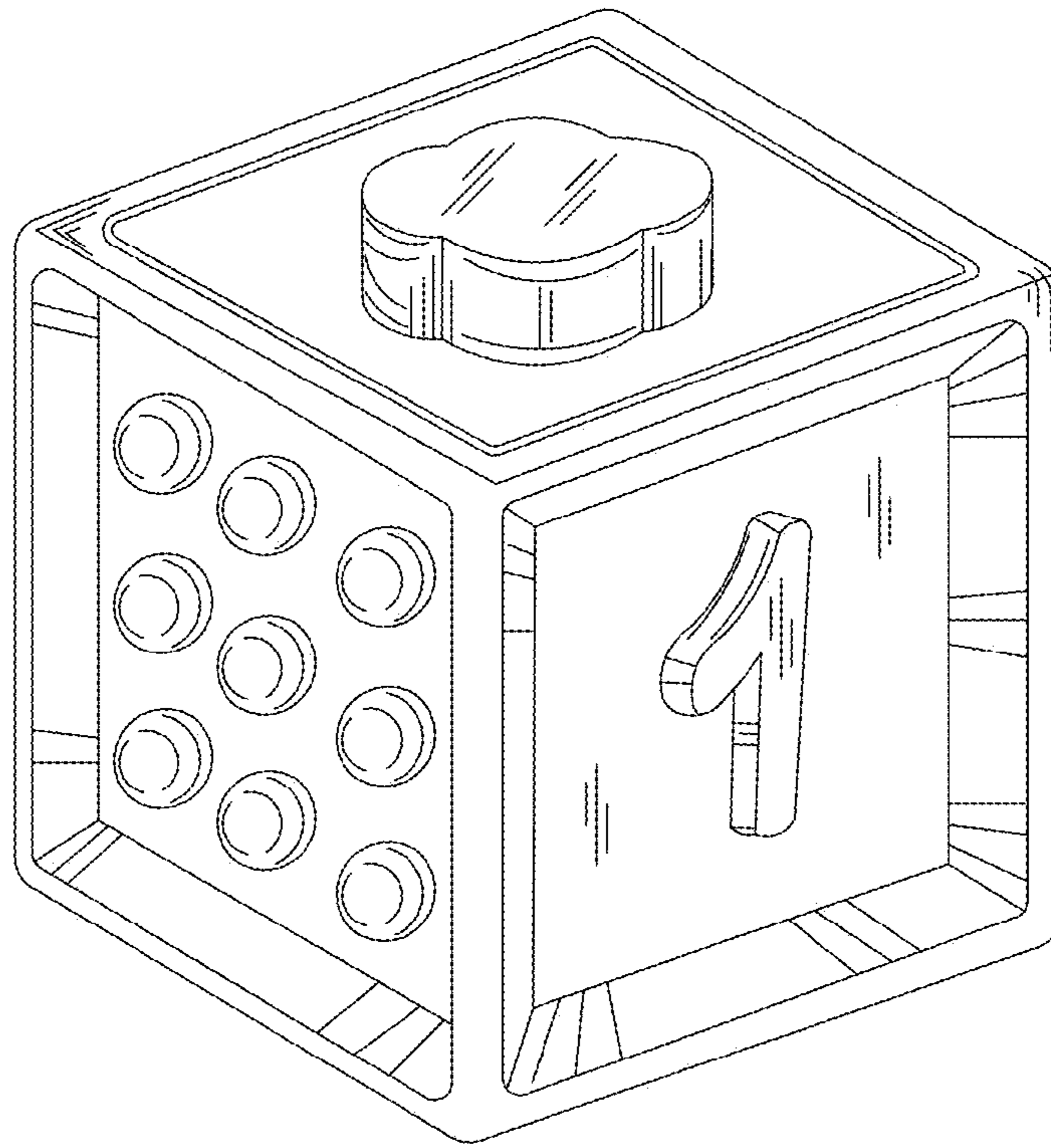


FIG.1

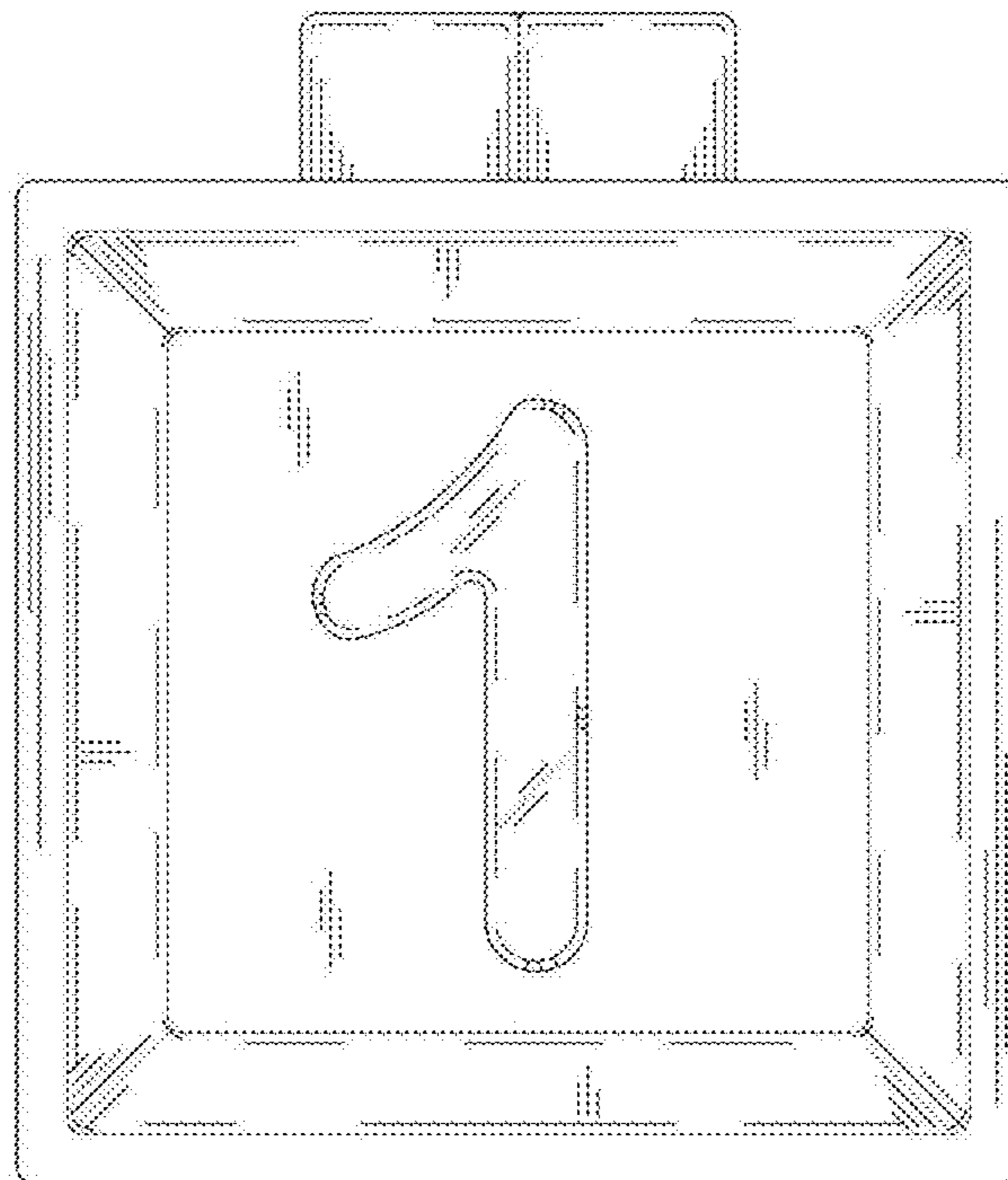


FIG.2

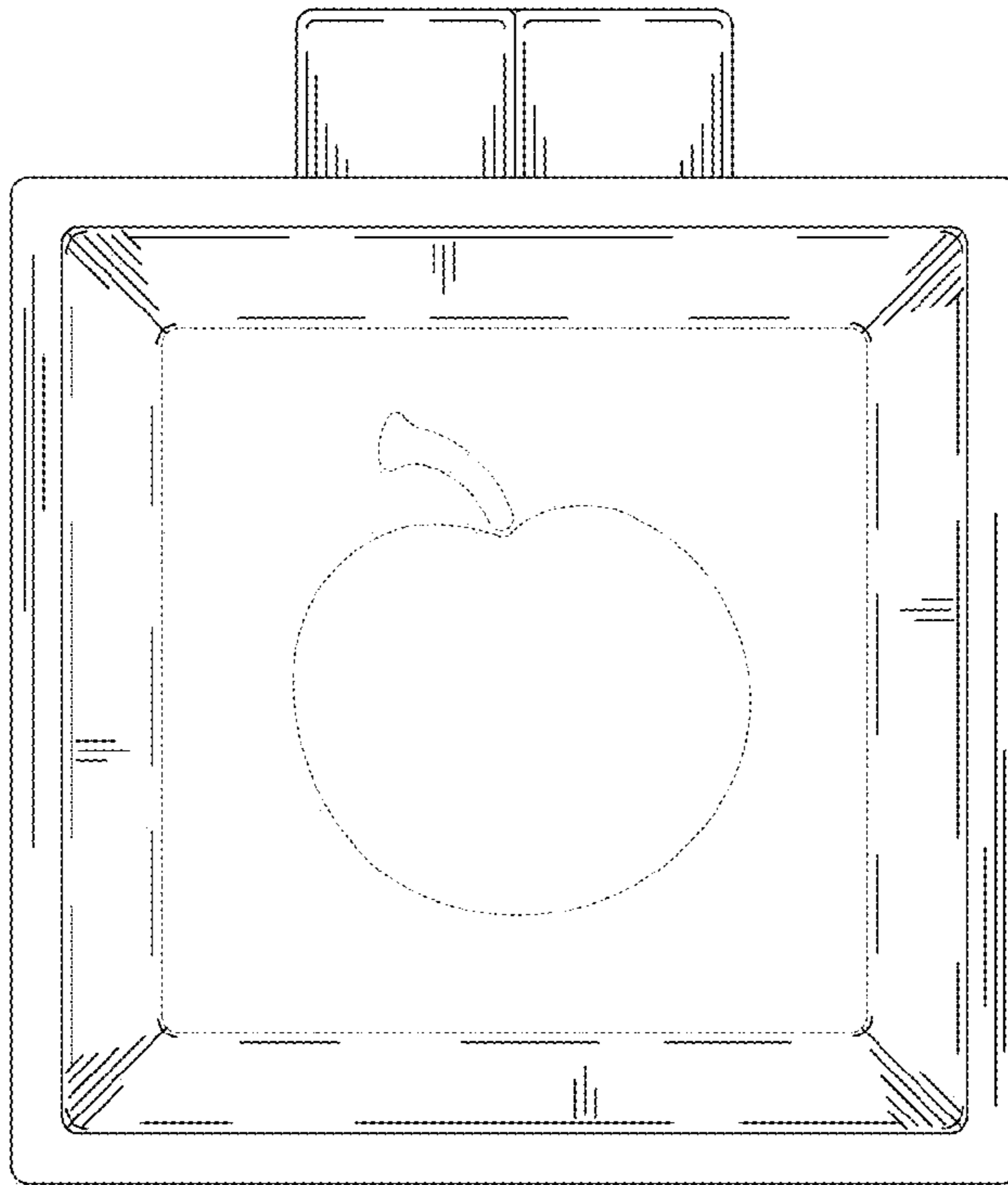


FIG.3

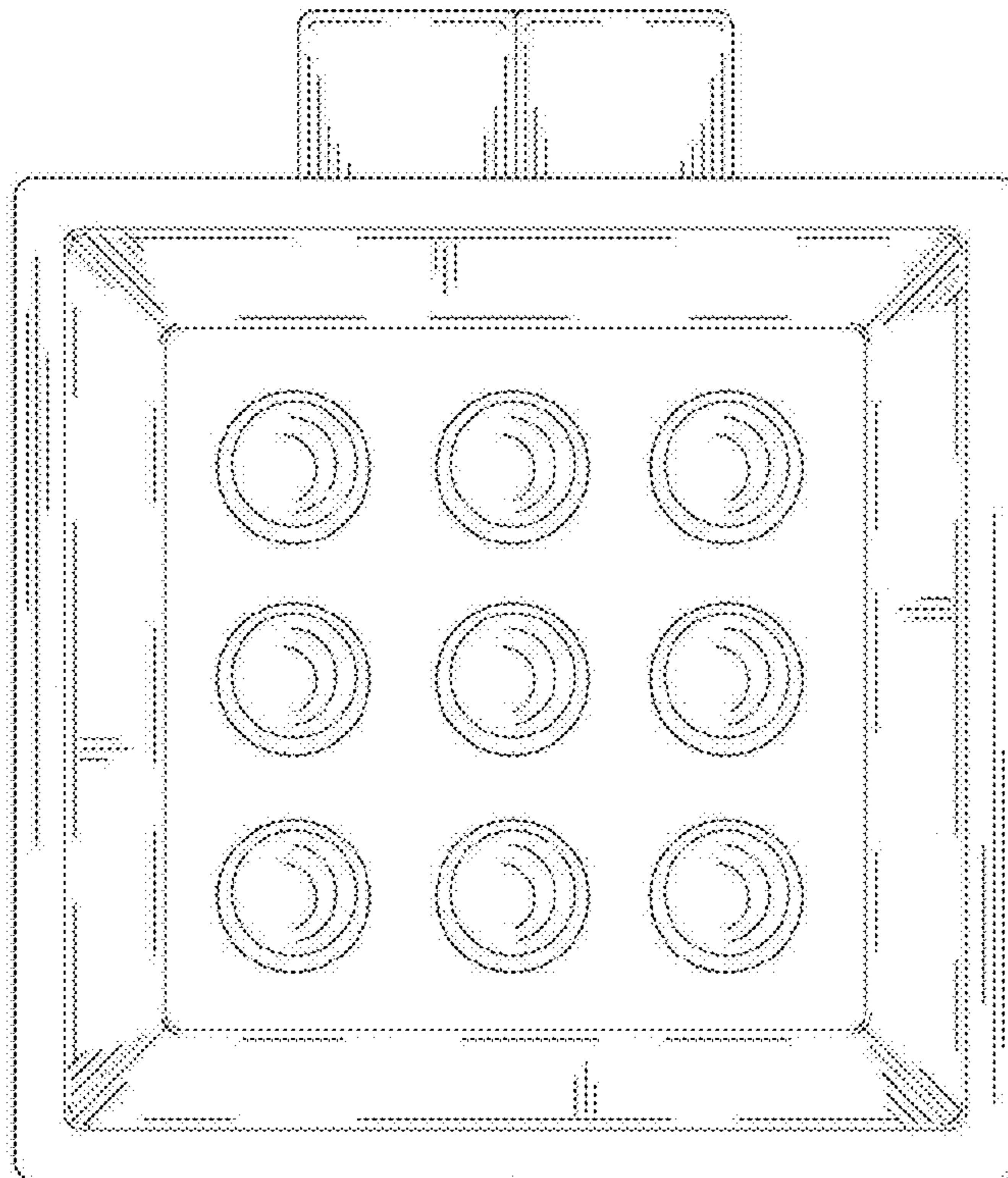


FIG.4

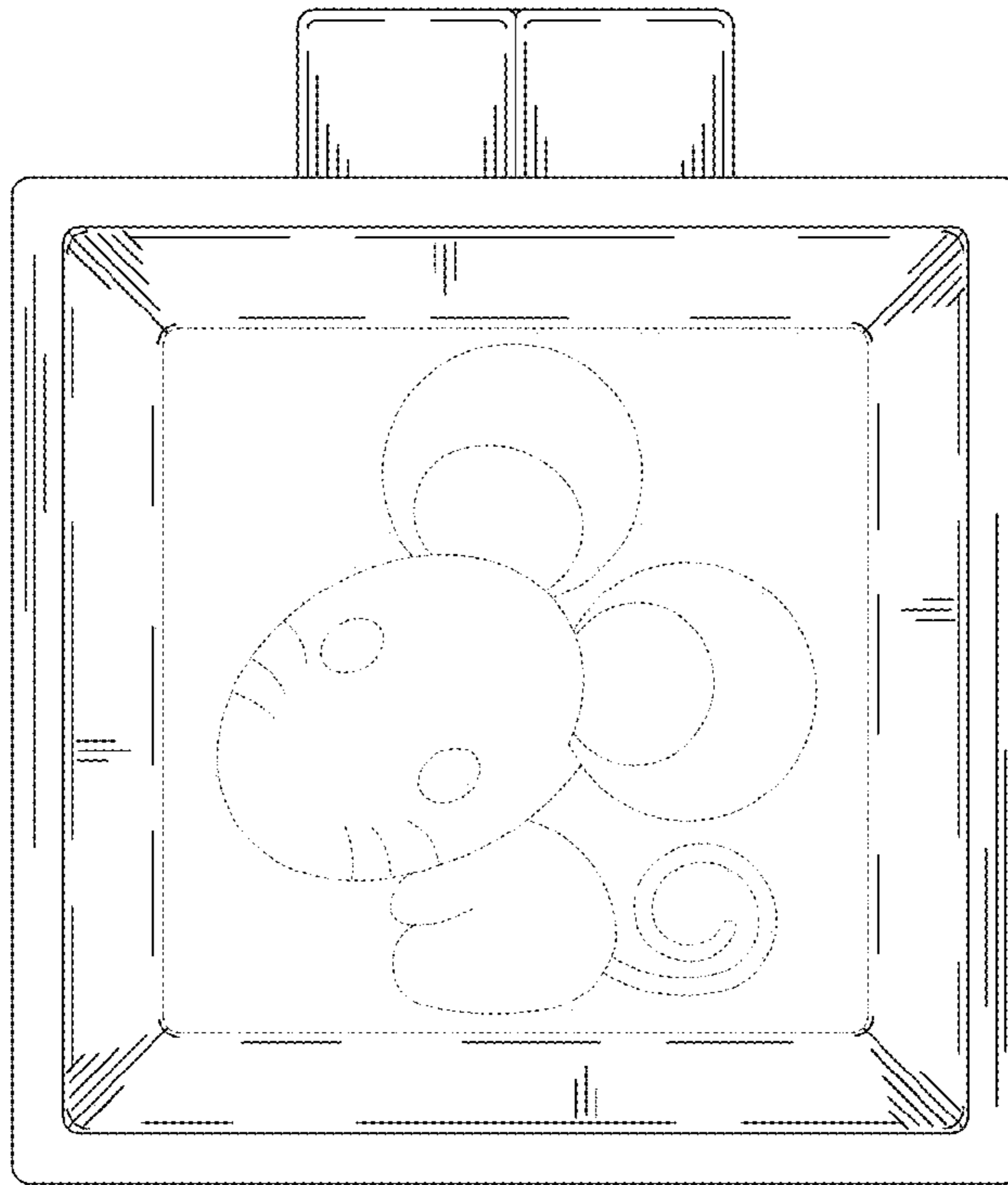


FIG.5

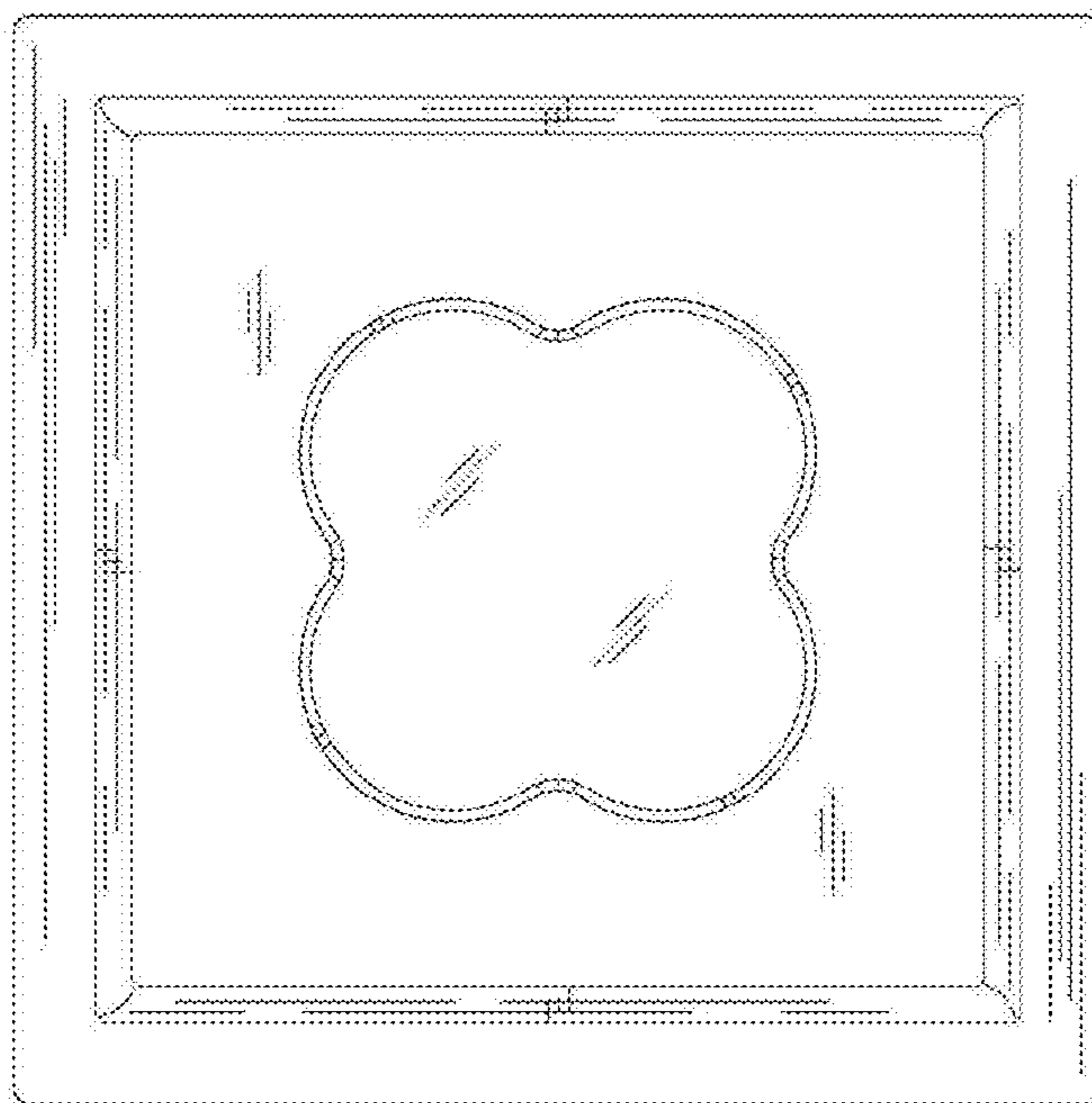


FIG.6

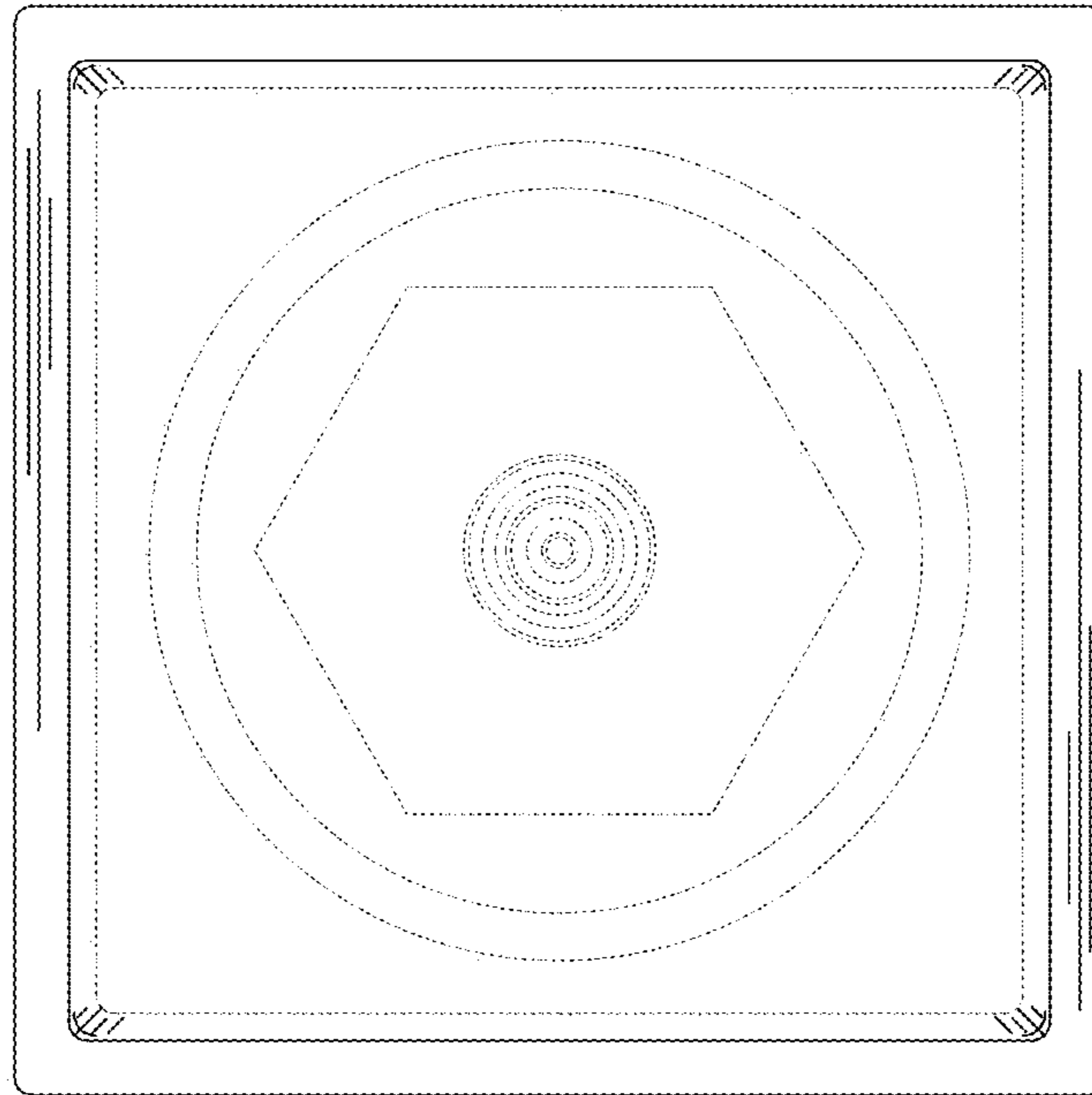


FIG.7

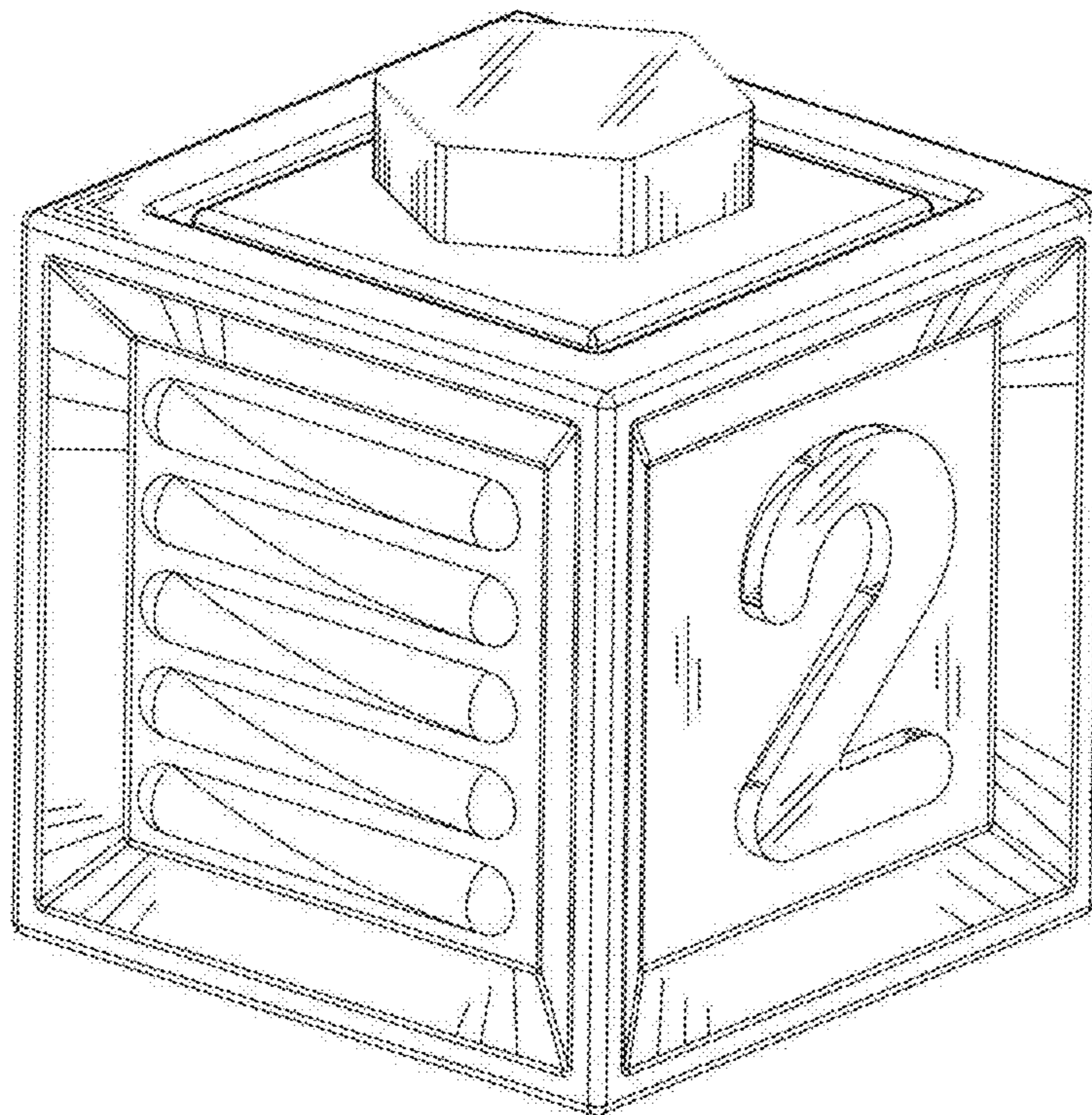


FIG.8

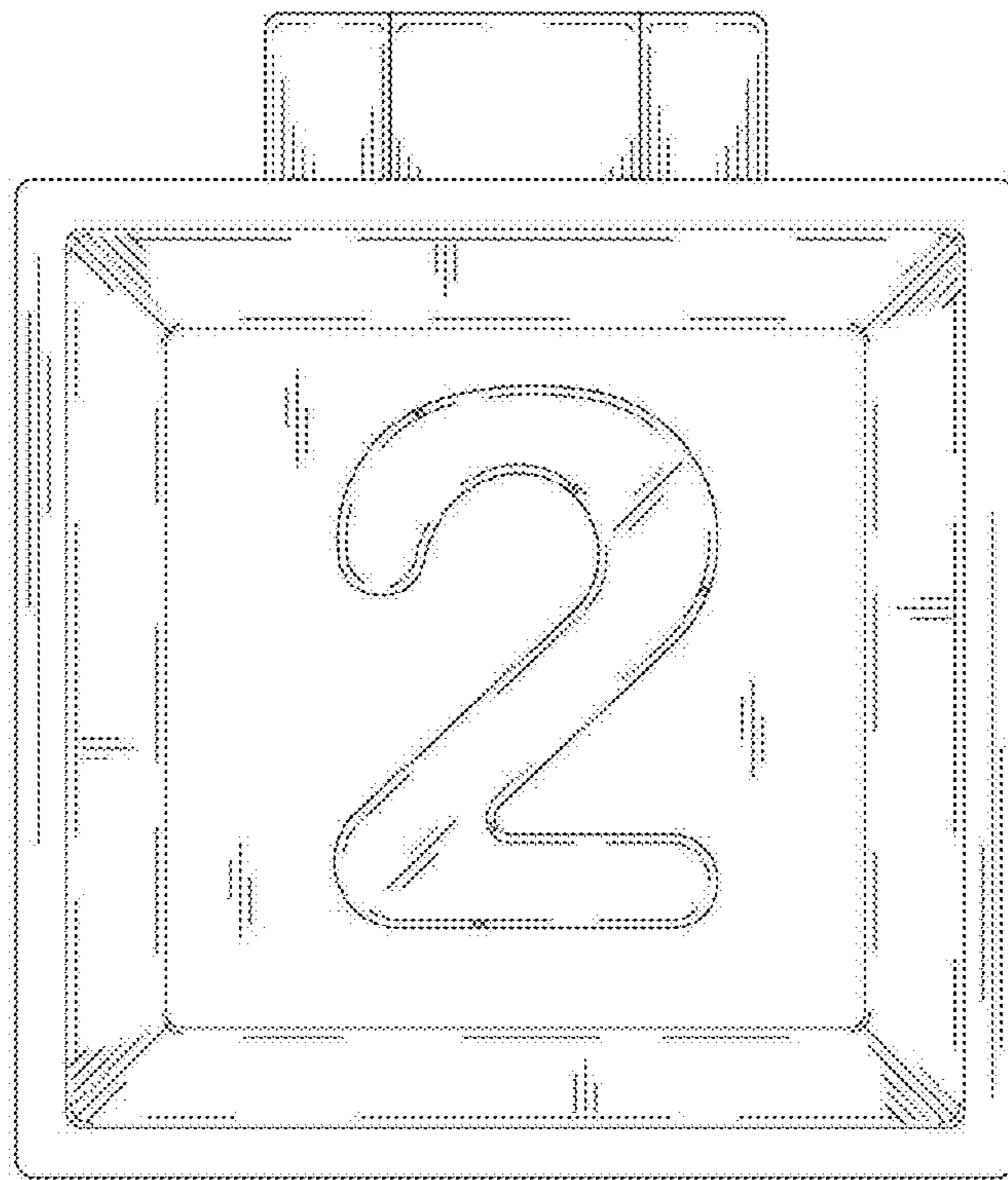


FIG. 9

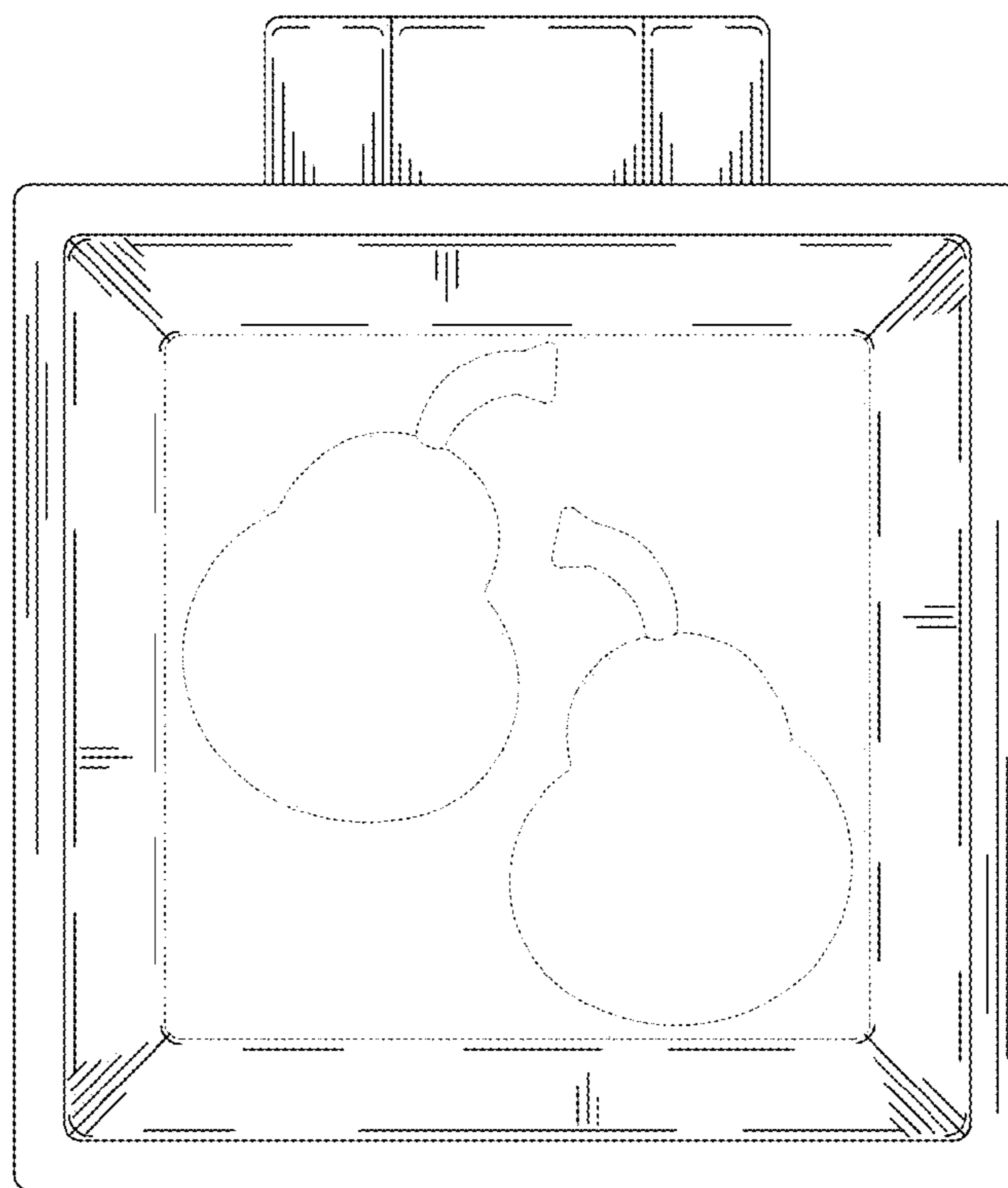


FIG. 10

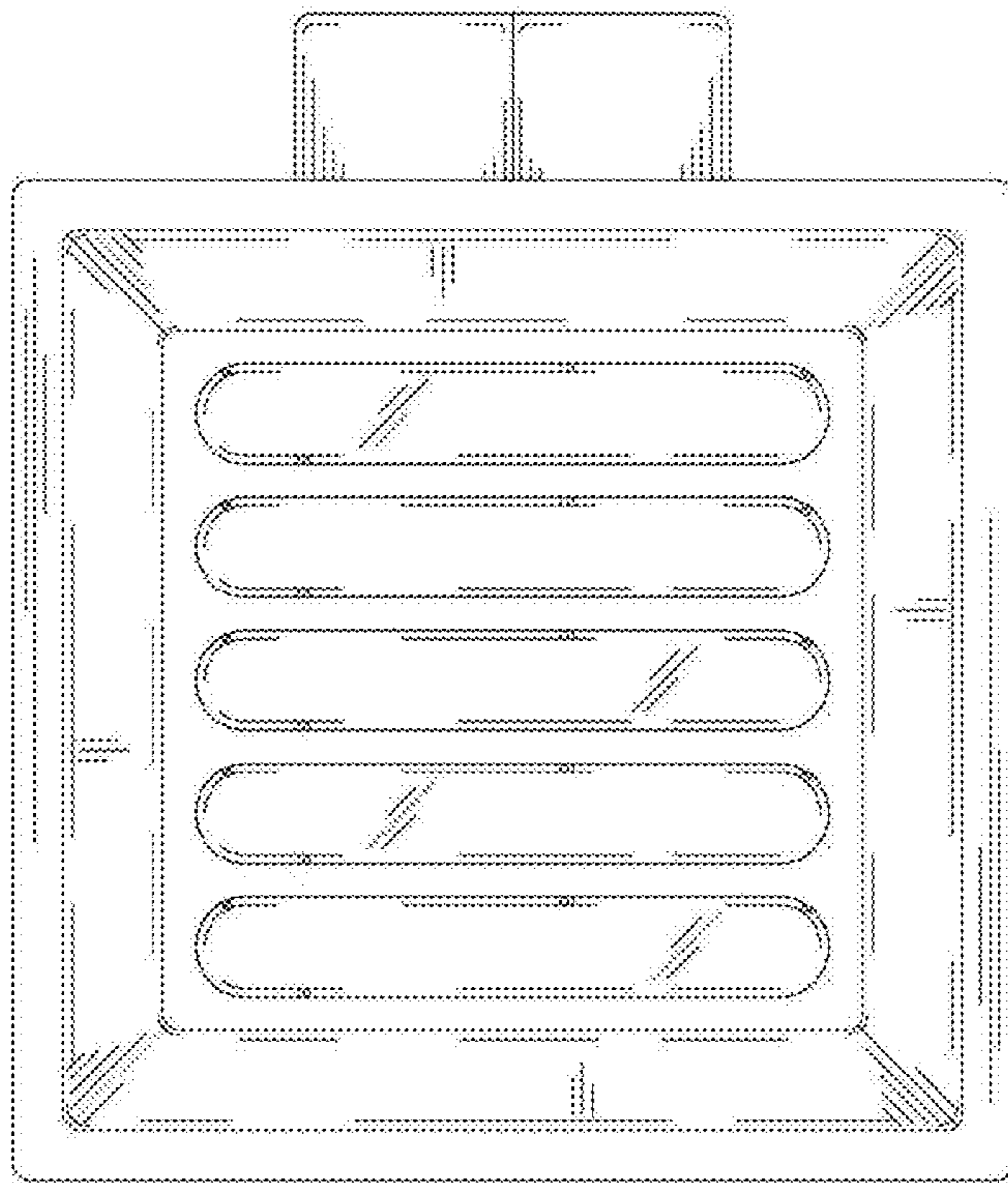


FIG.11

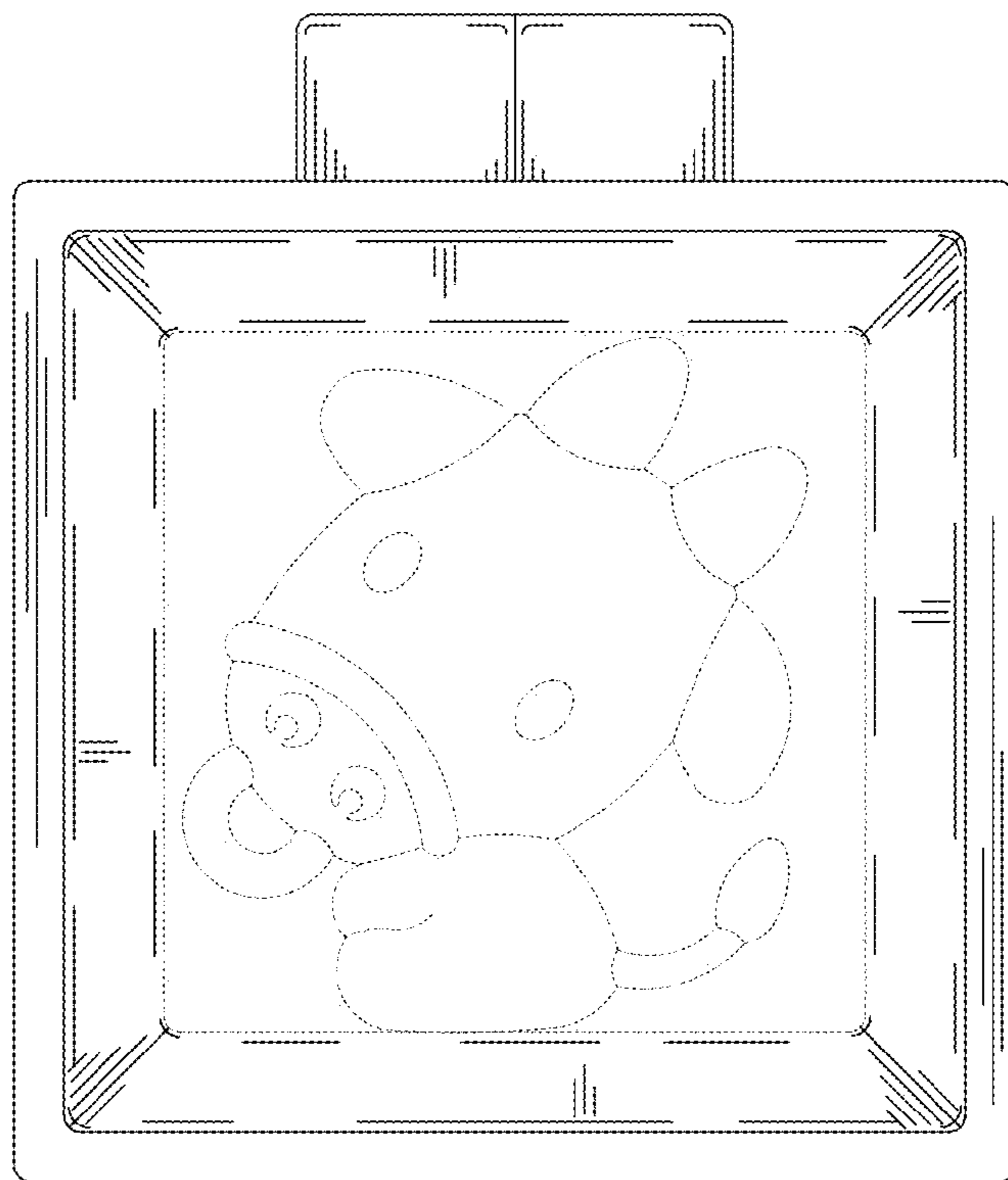


FIG.12

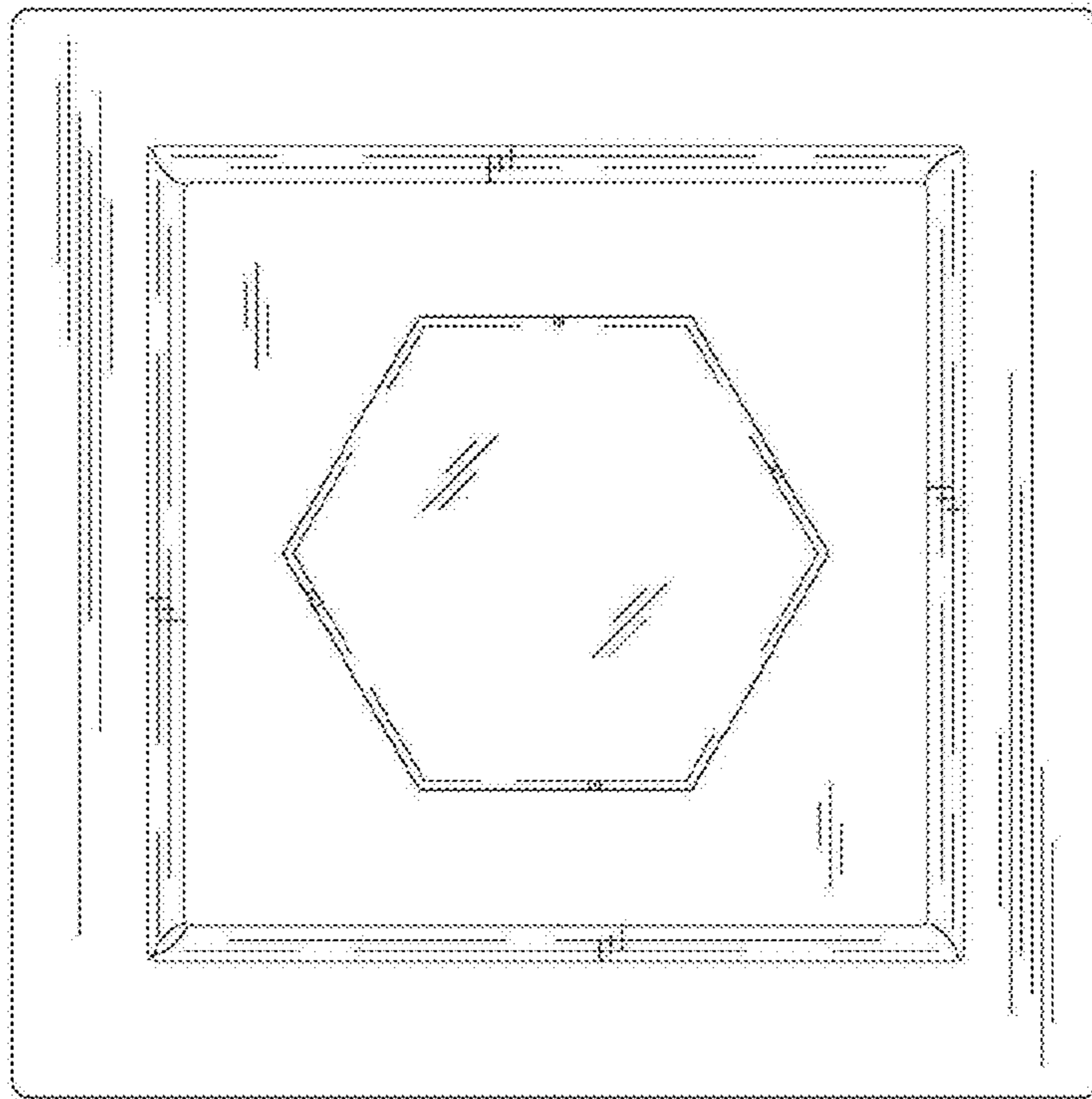


FIG. 13

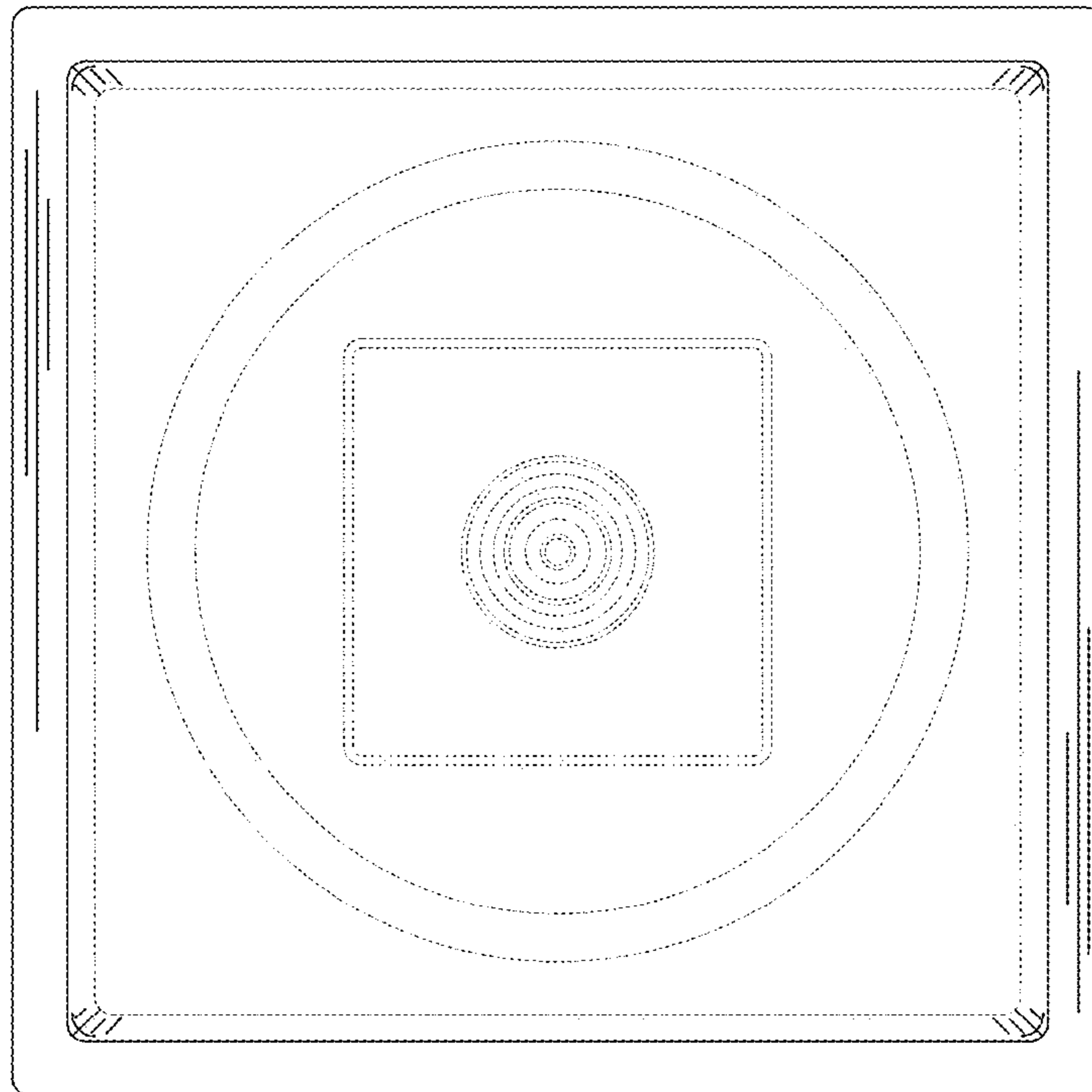


FIG. 14

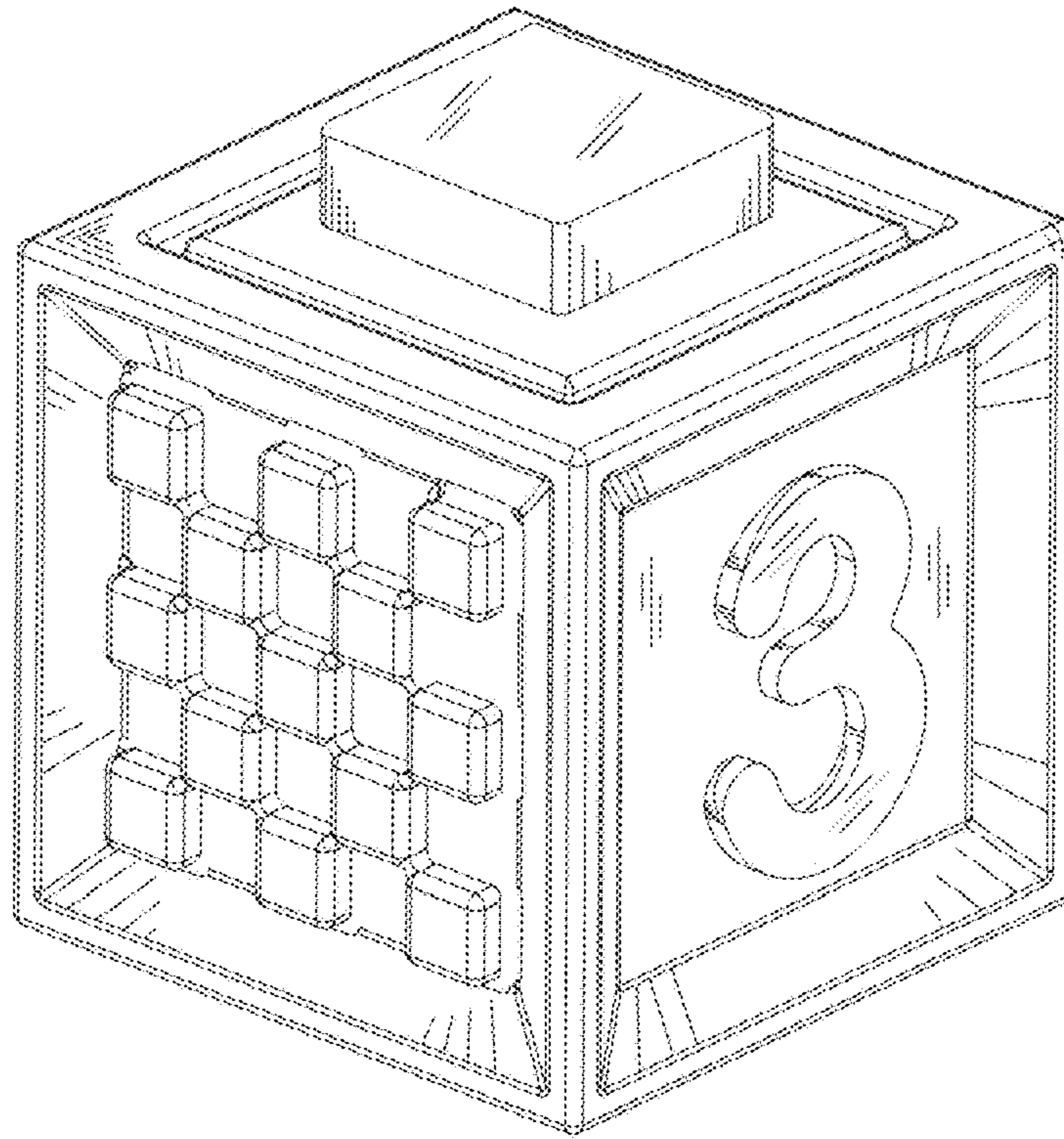


FIG. 15

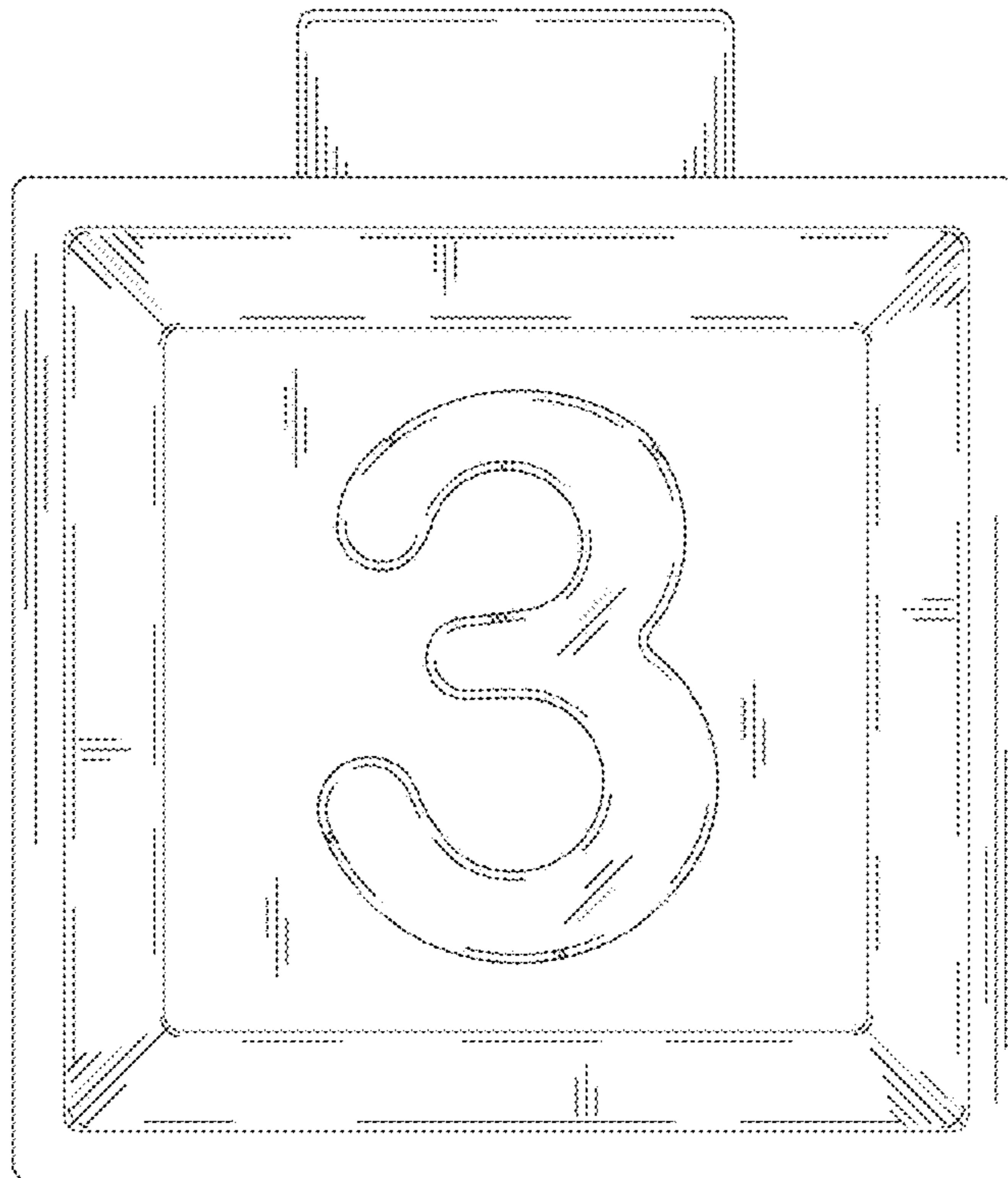


FIG. 16

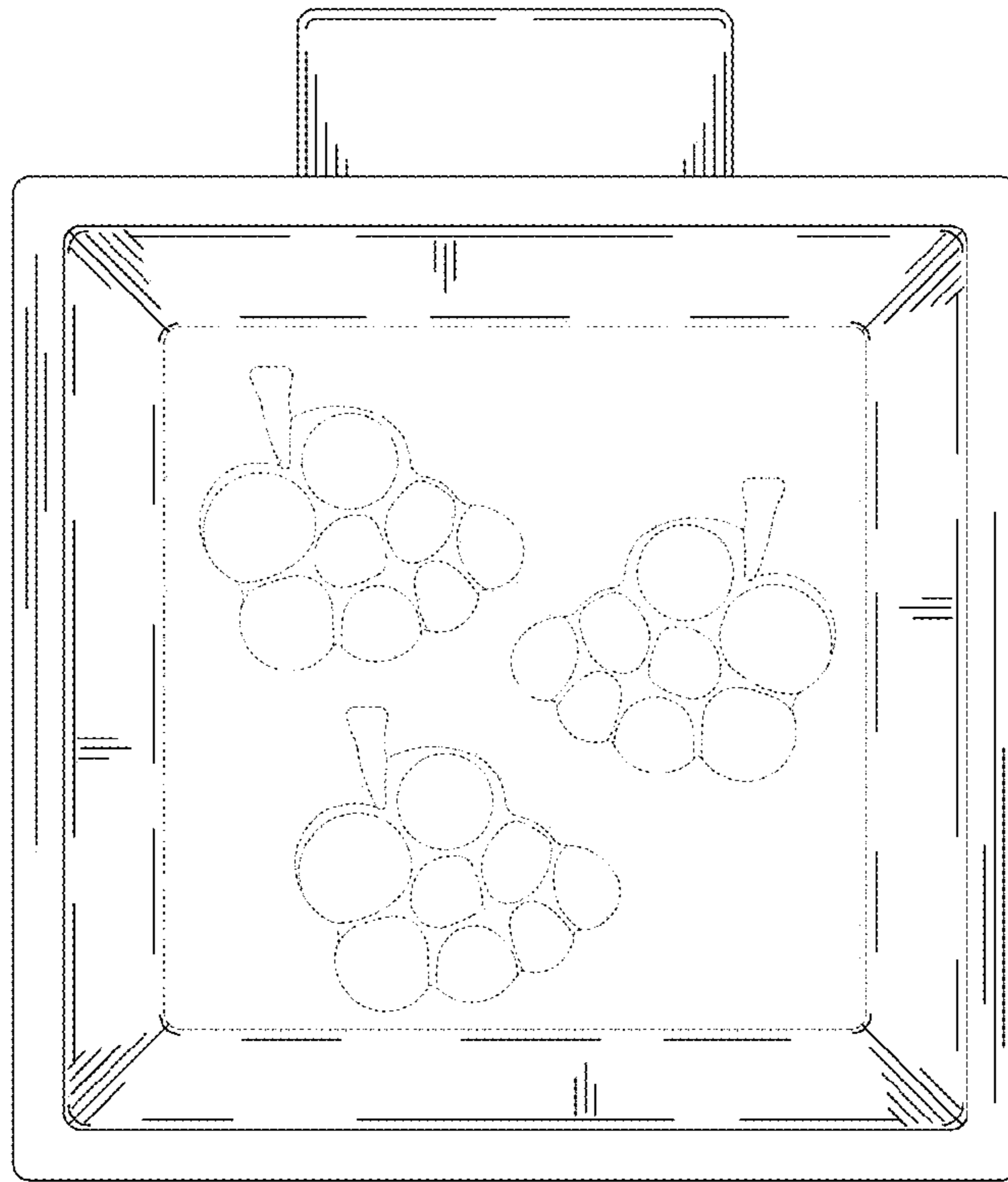


FIG.17

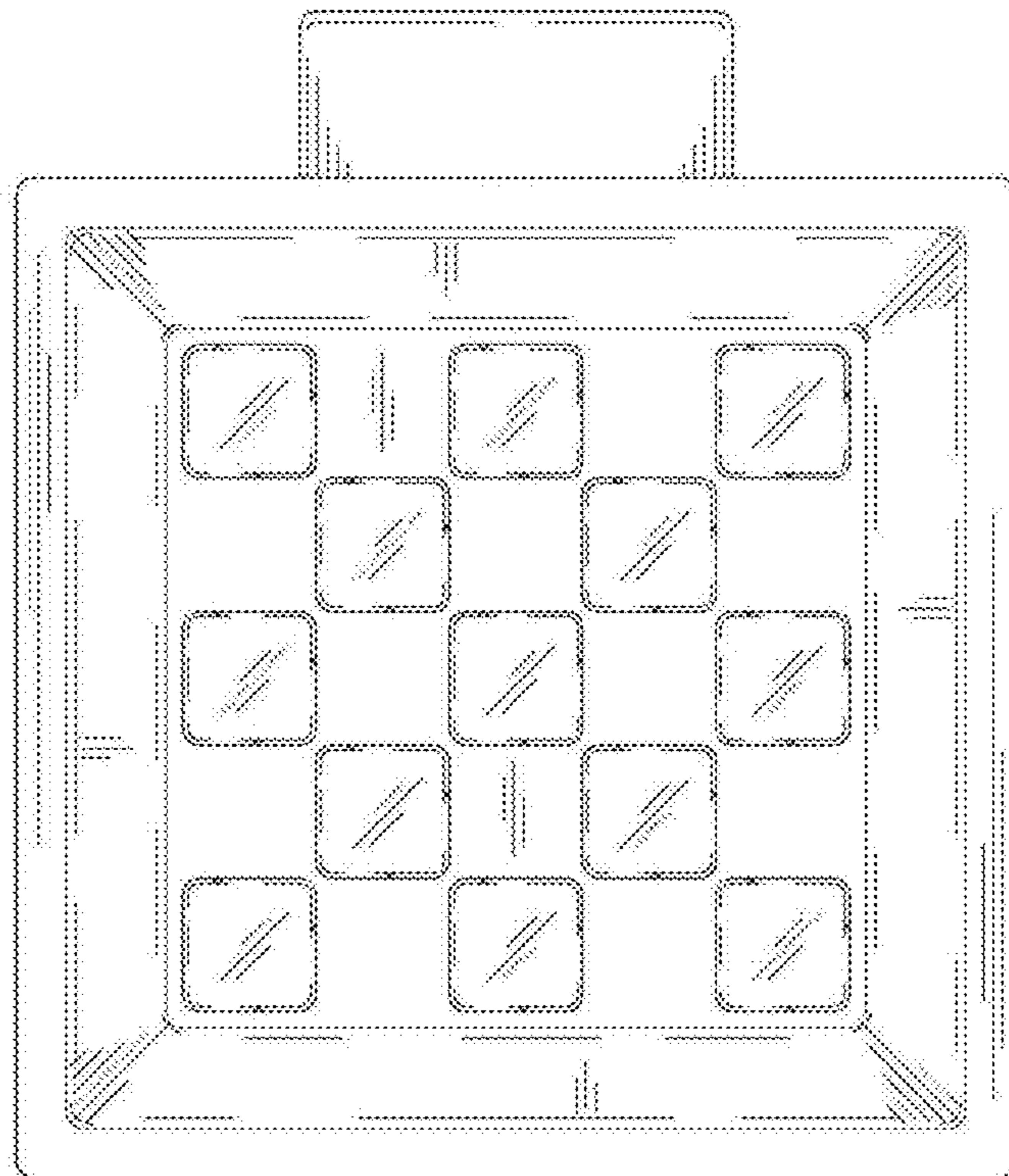


FIG.18

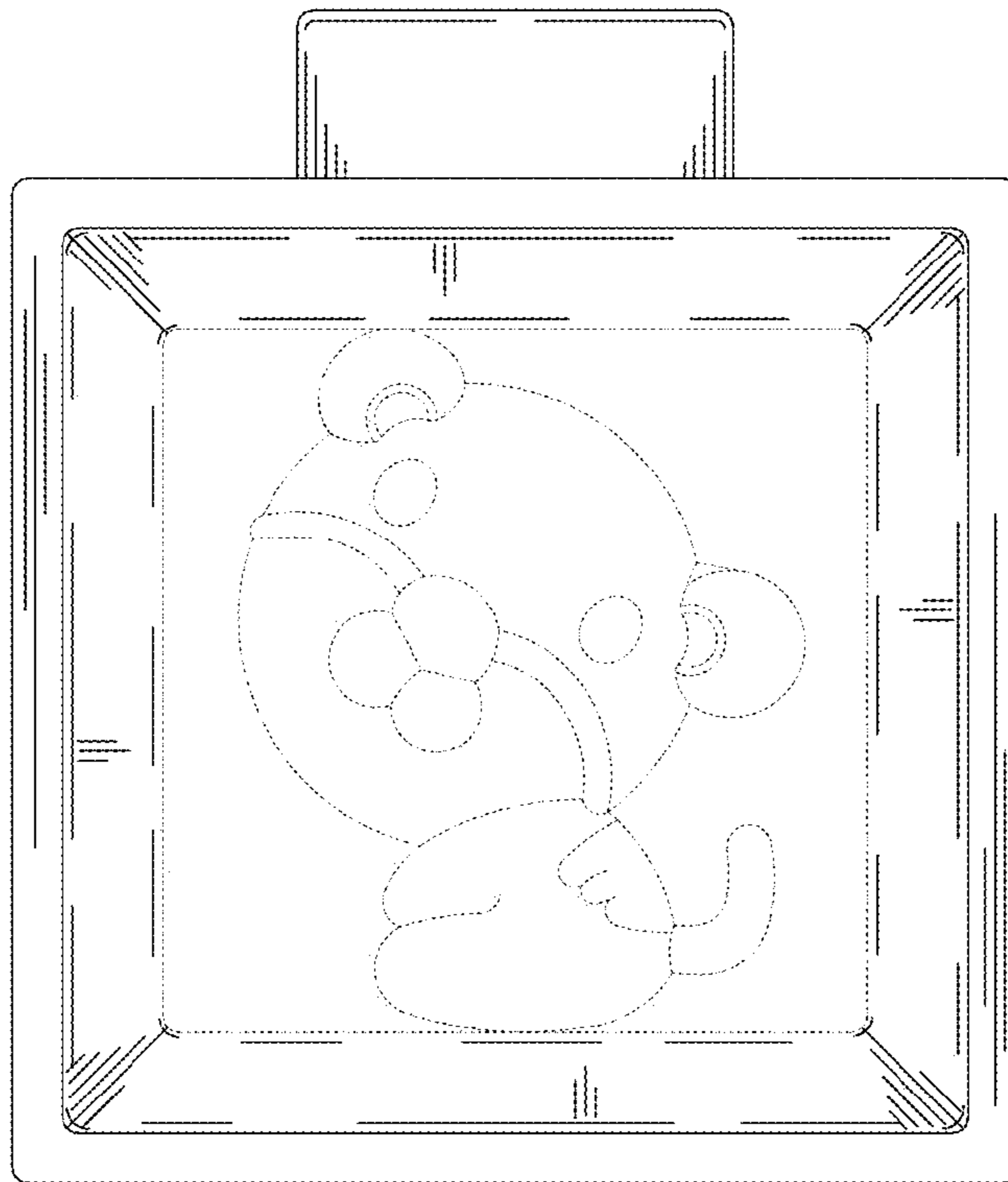


FIG.19

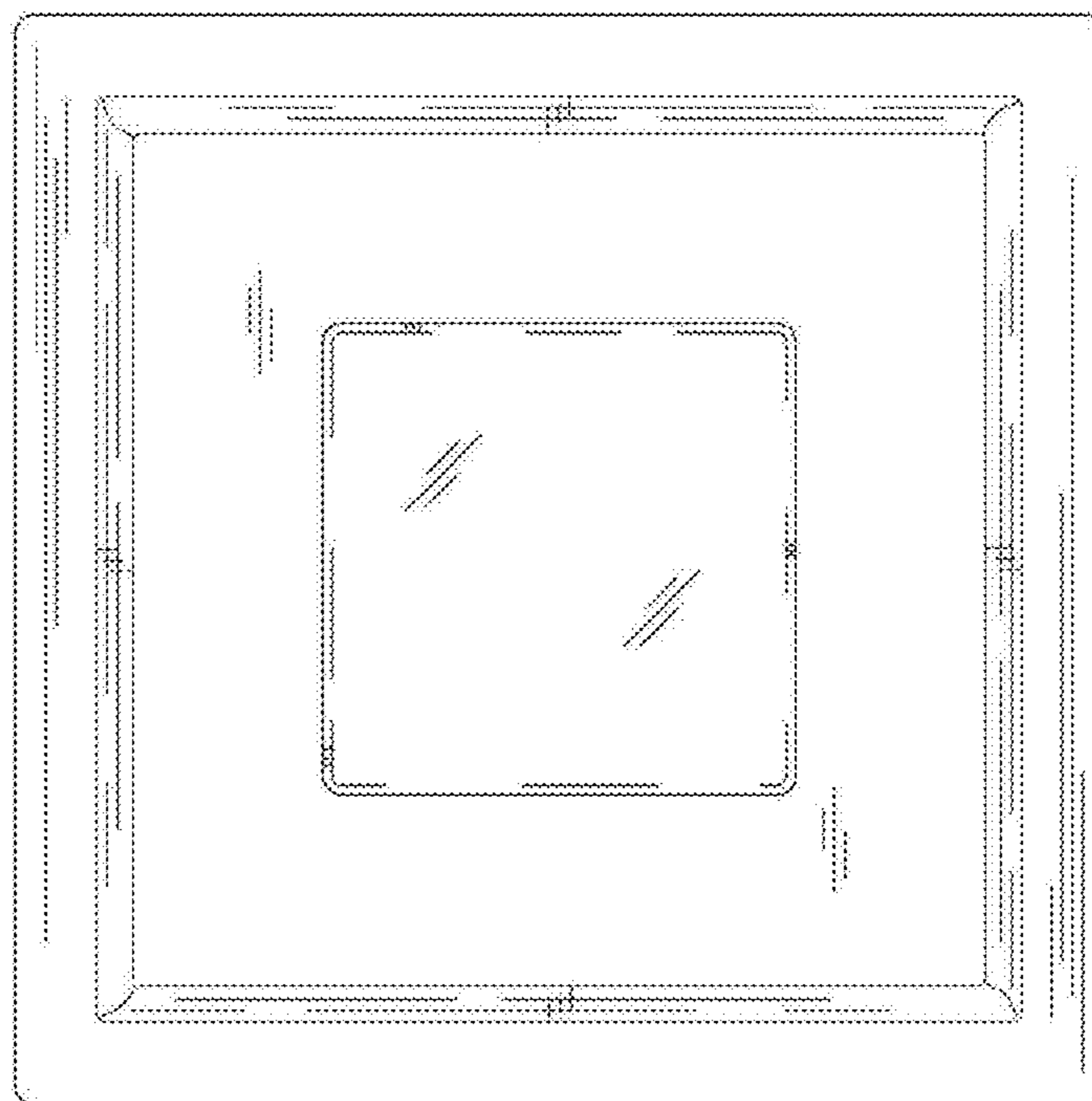


FIG.20

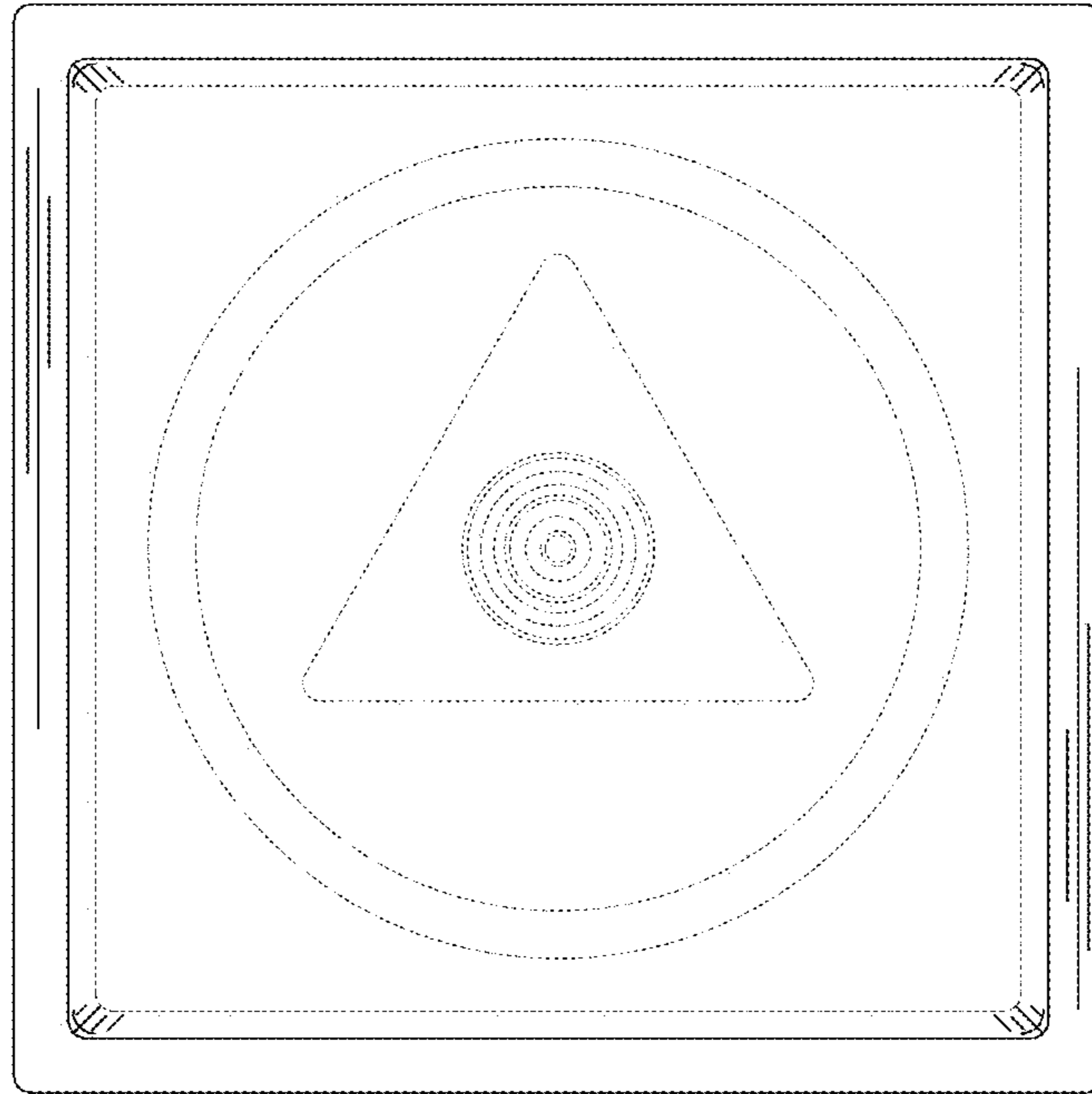


FIG. 21

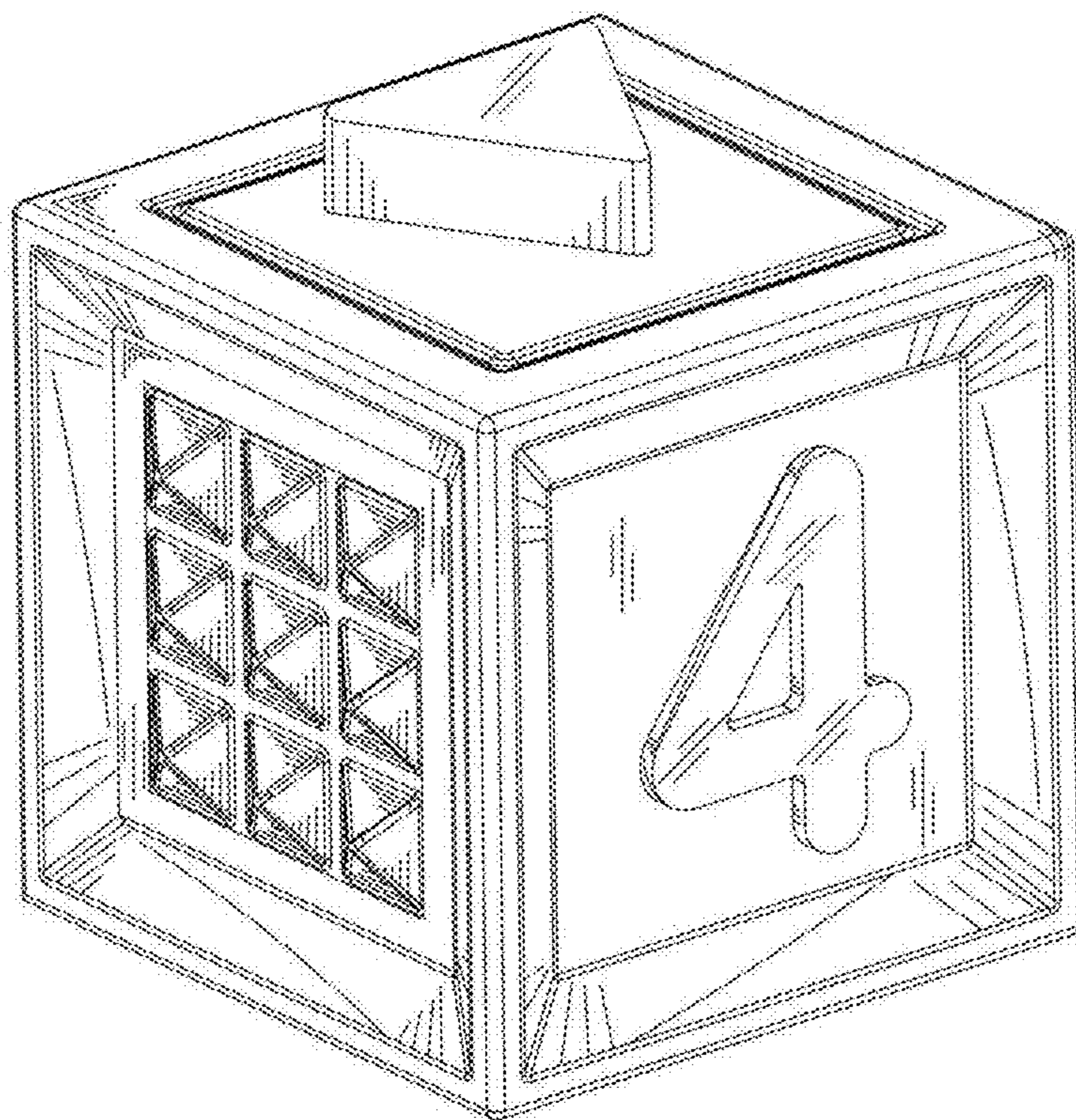


FIG. 22

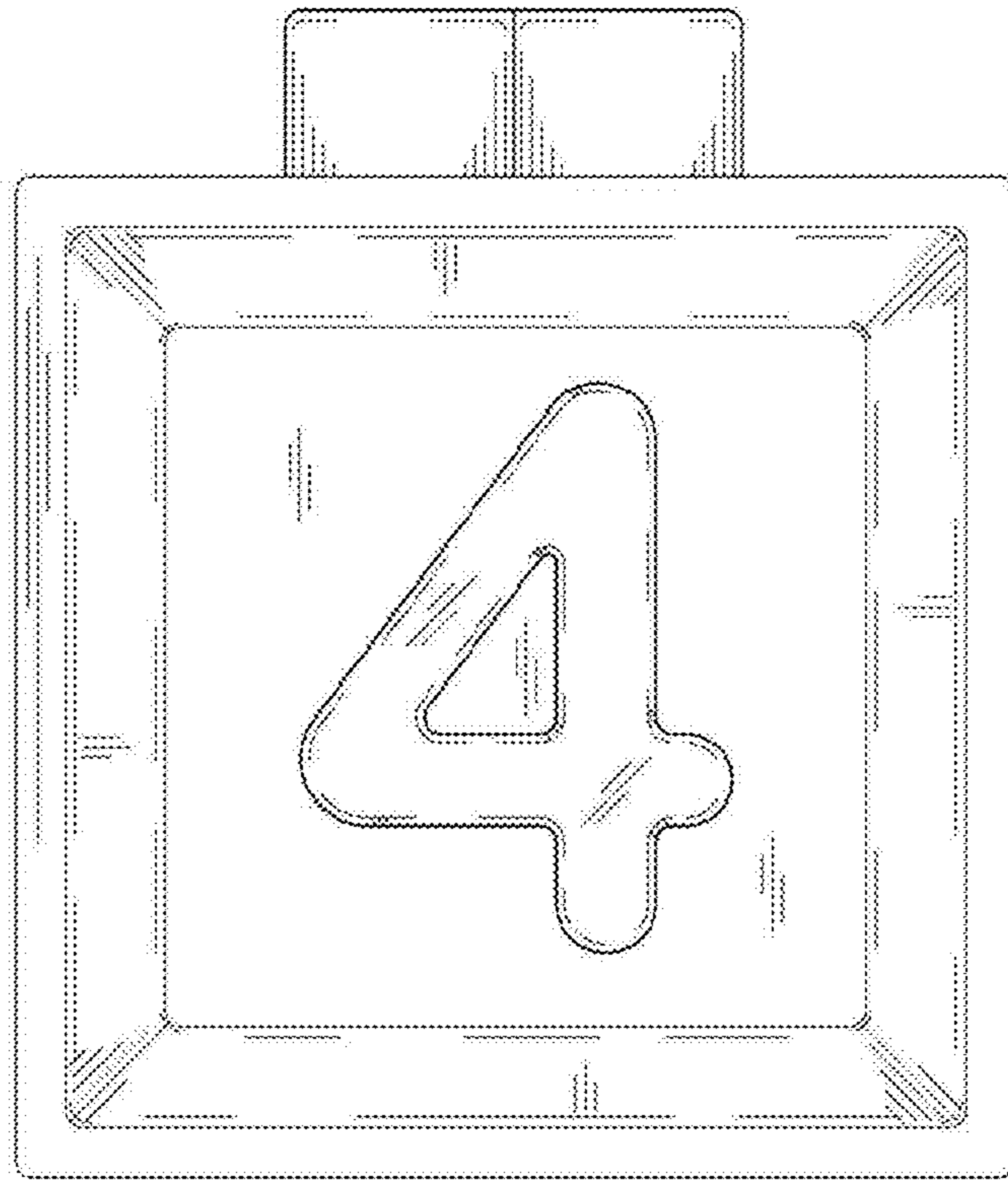


FIG. 23

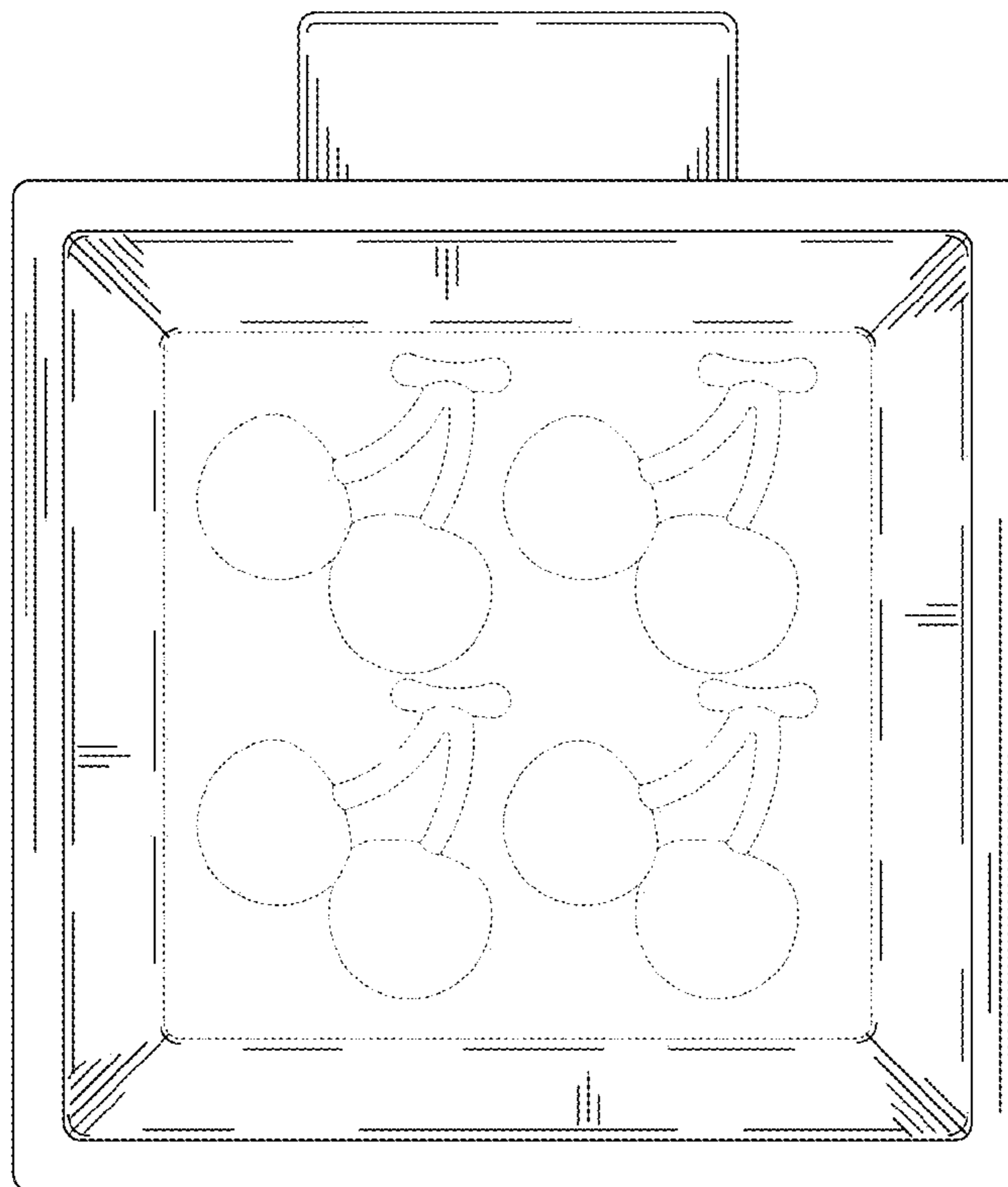


FIG. 24

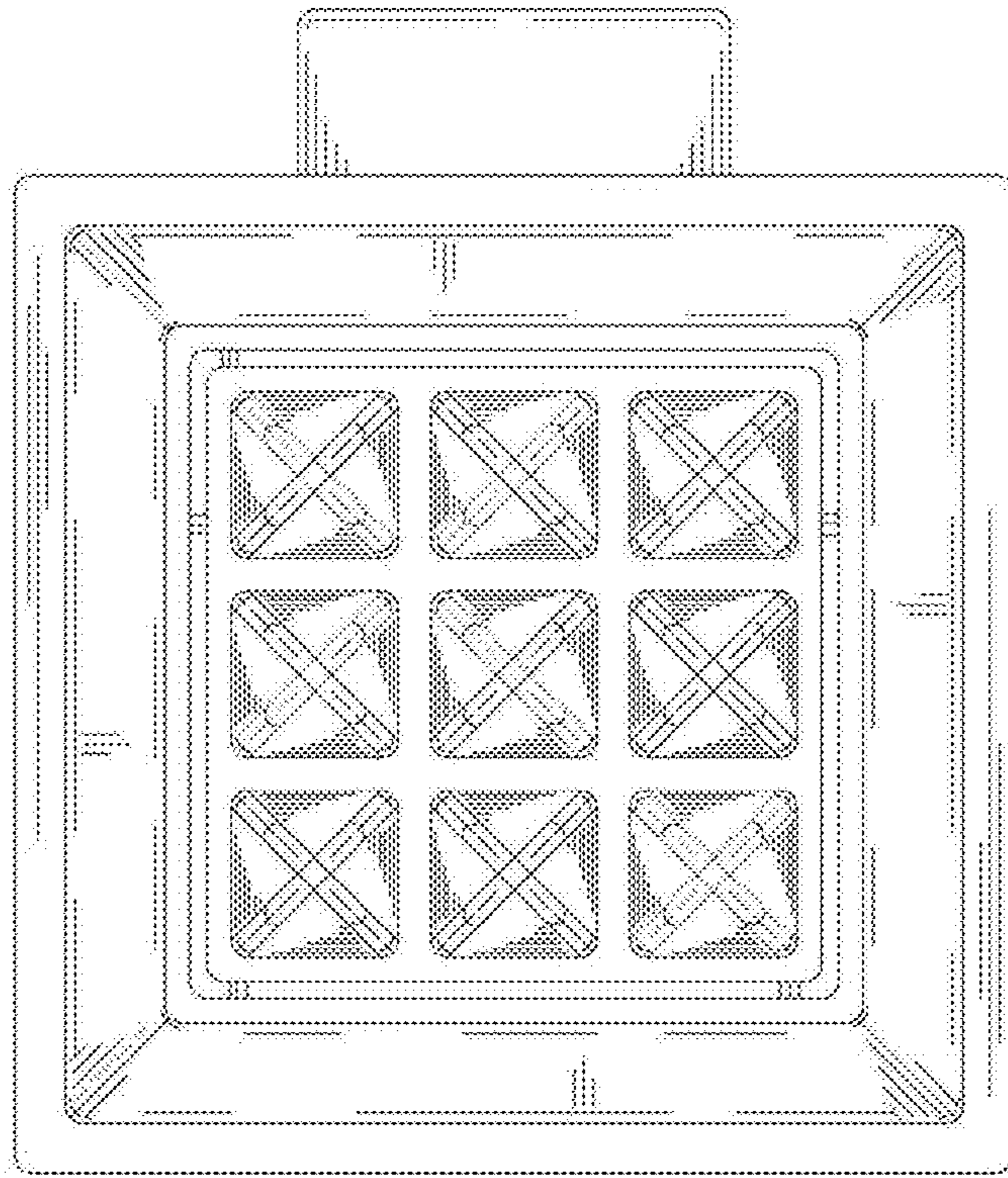


FIG.25

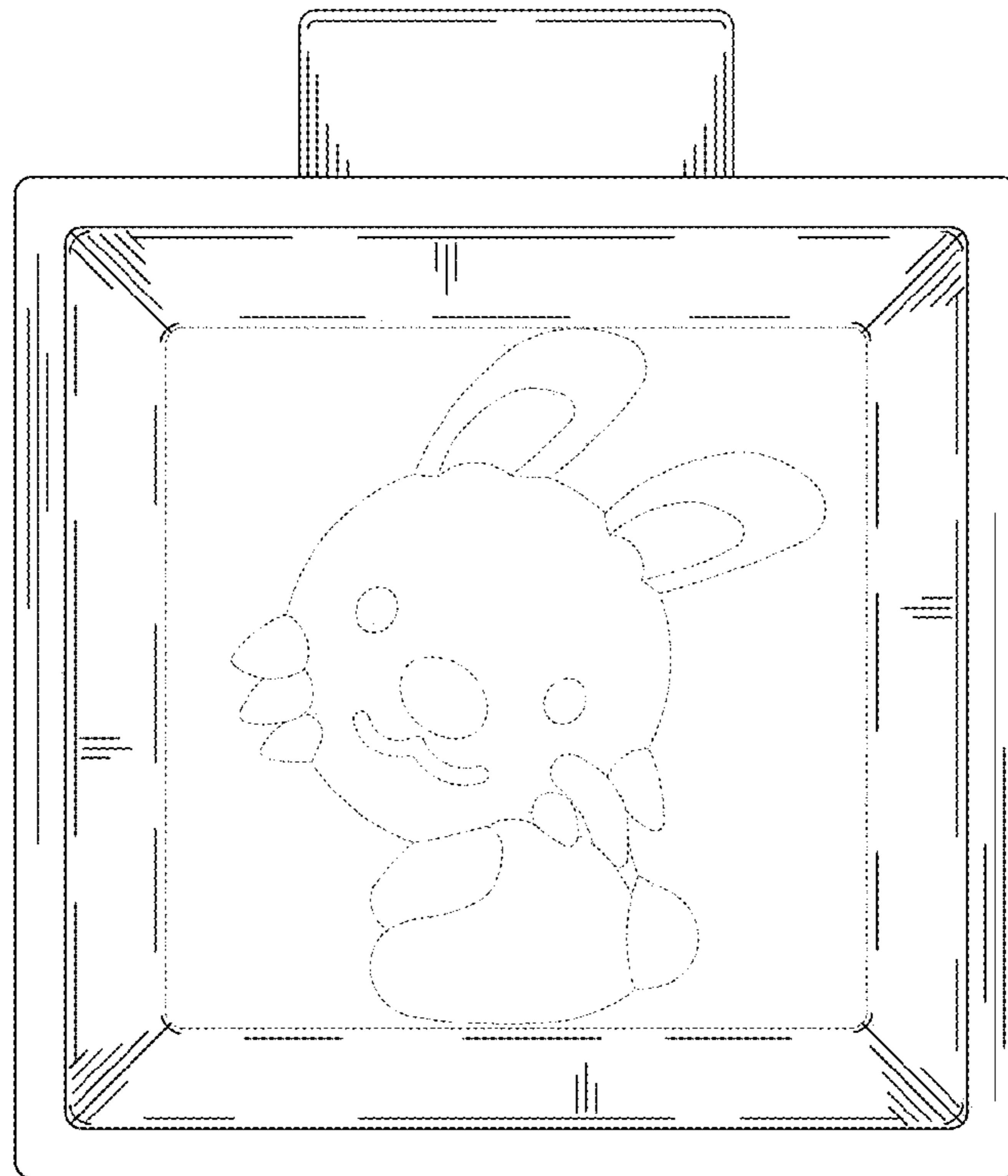


FIG.26

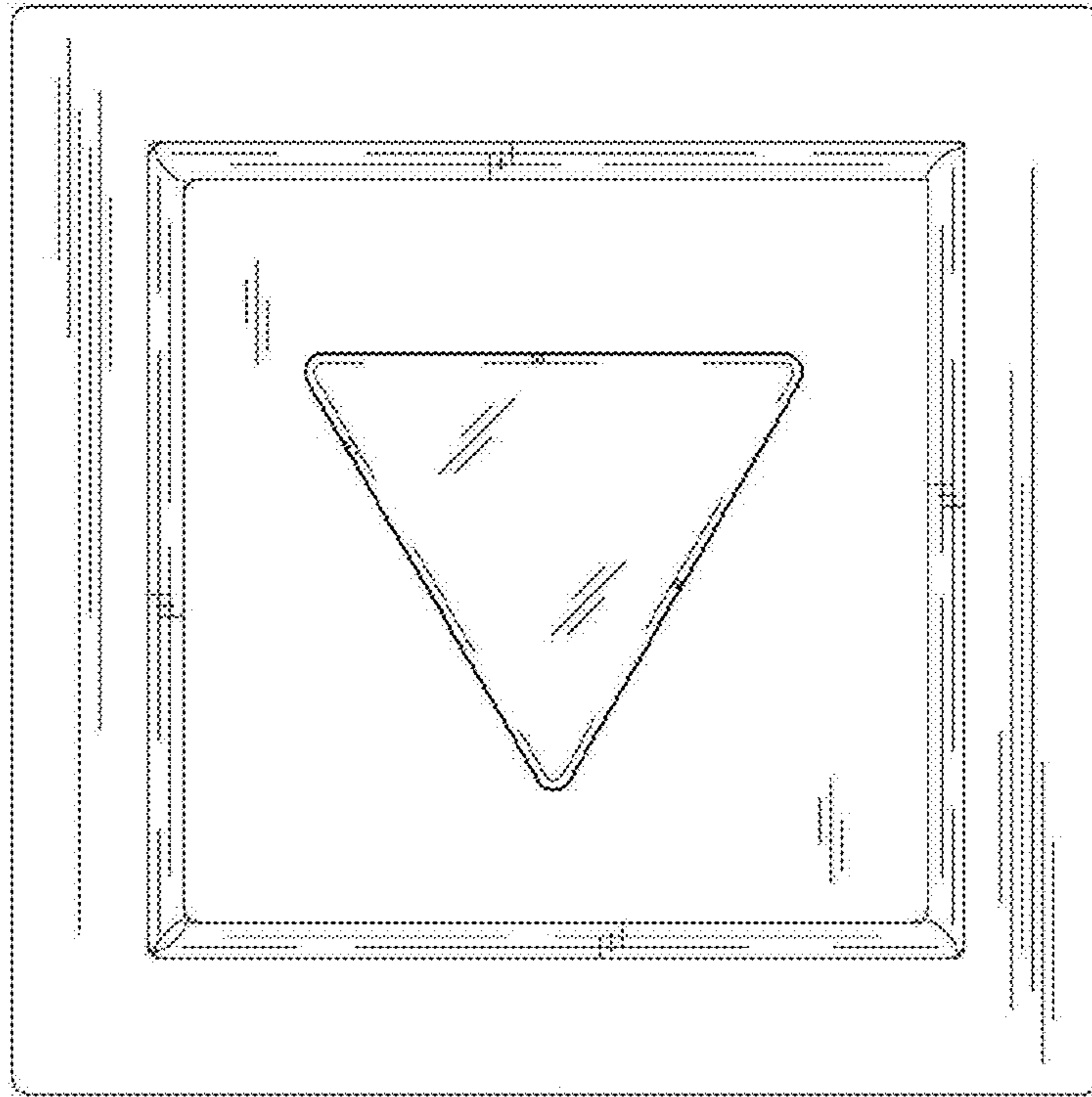


FIG.27

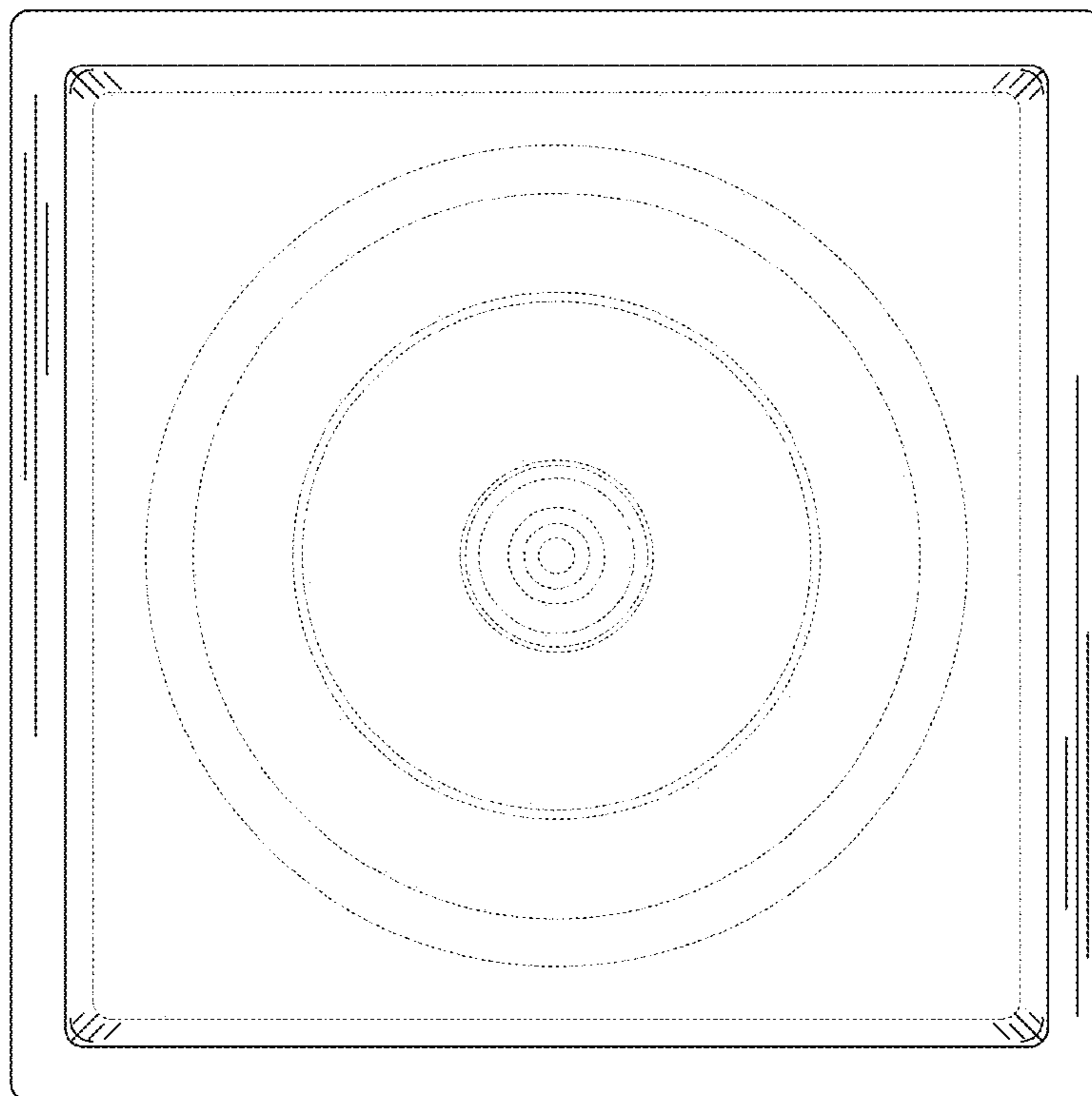


FIG.28

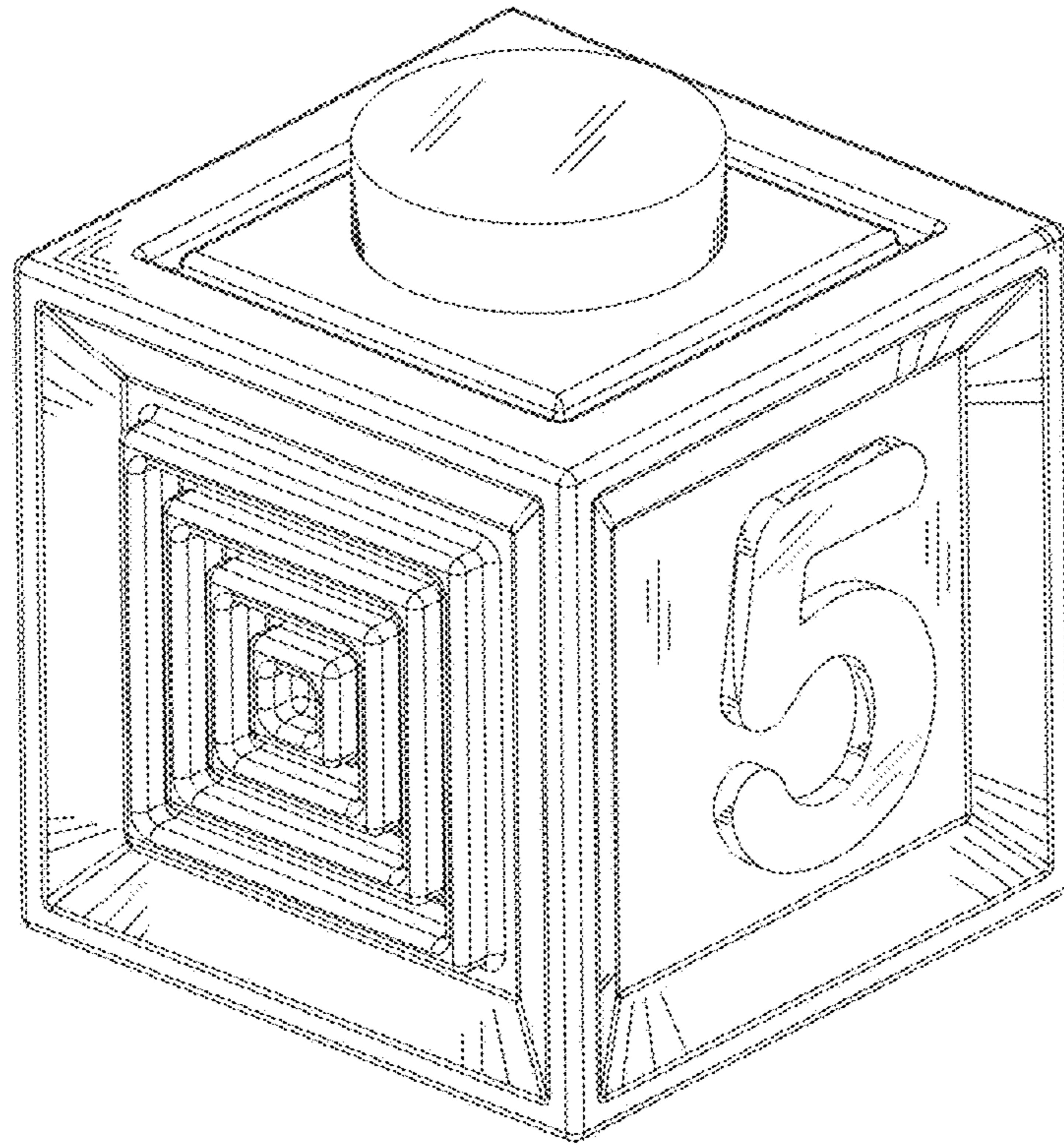


FIG. 29

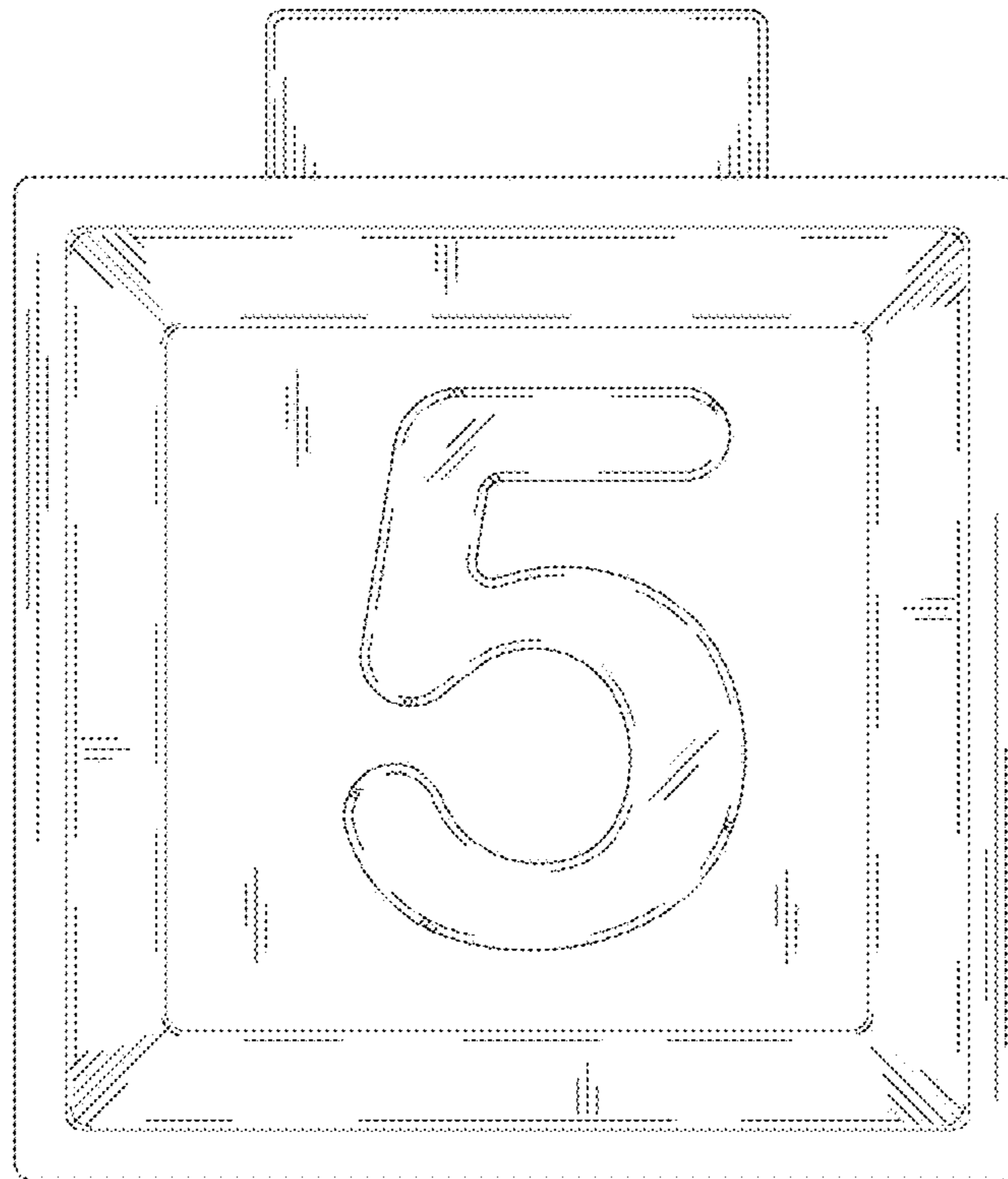


FIG. 30

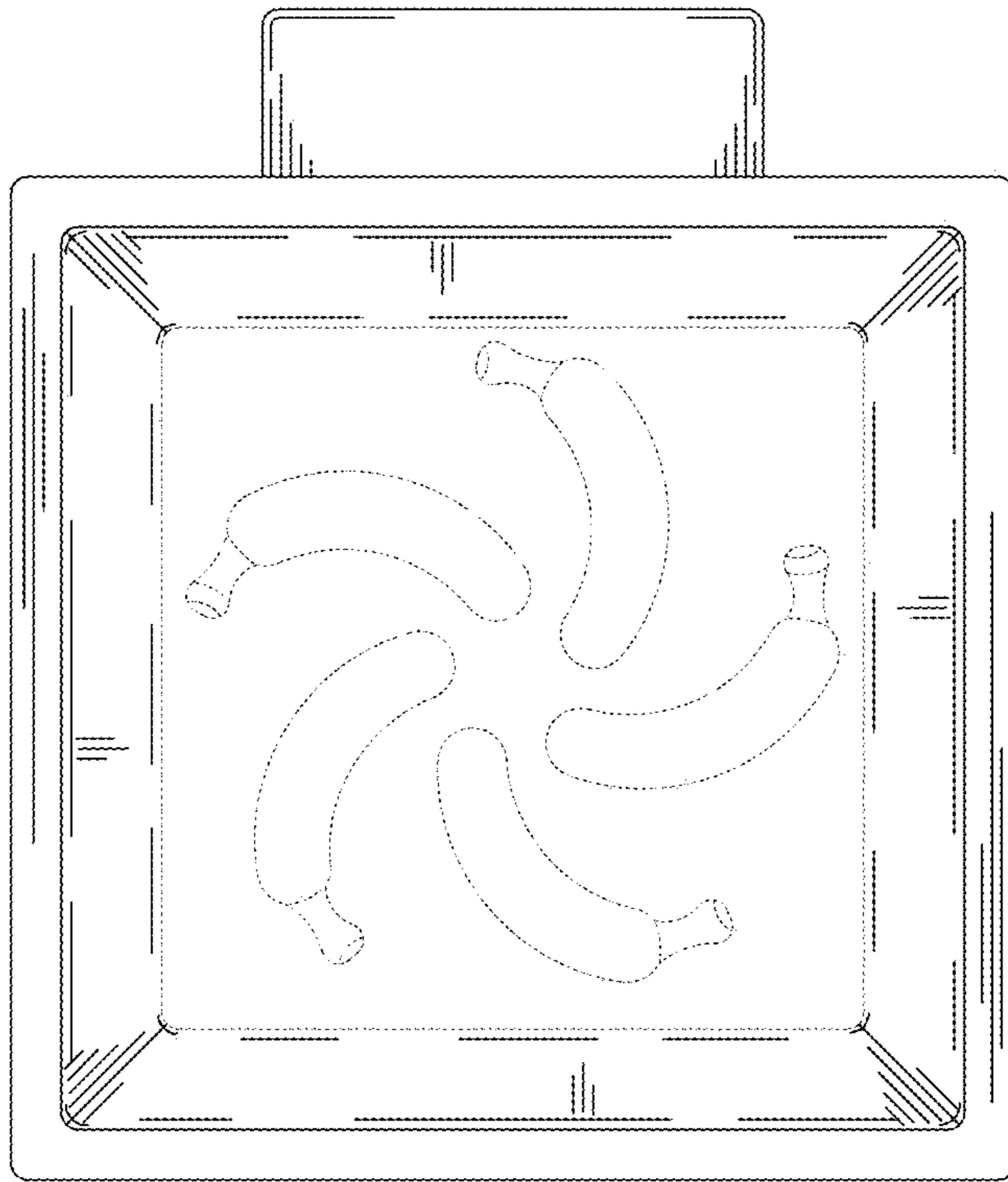


FIG. 31

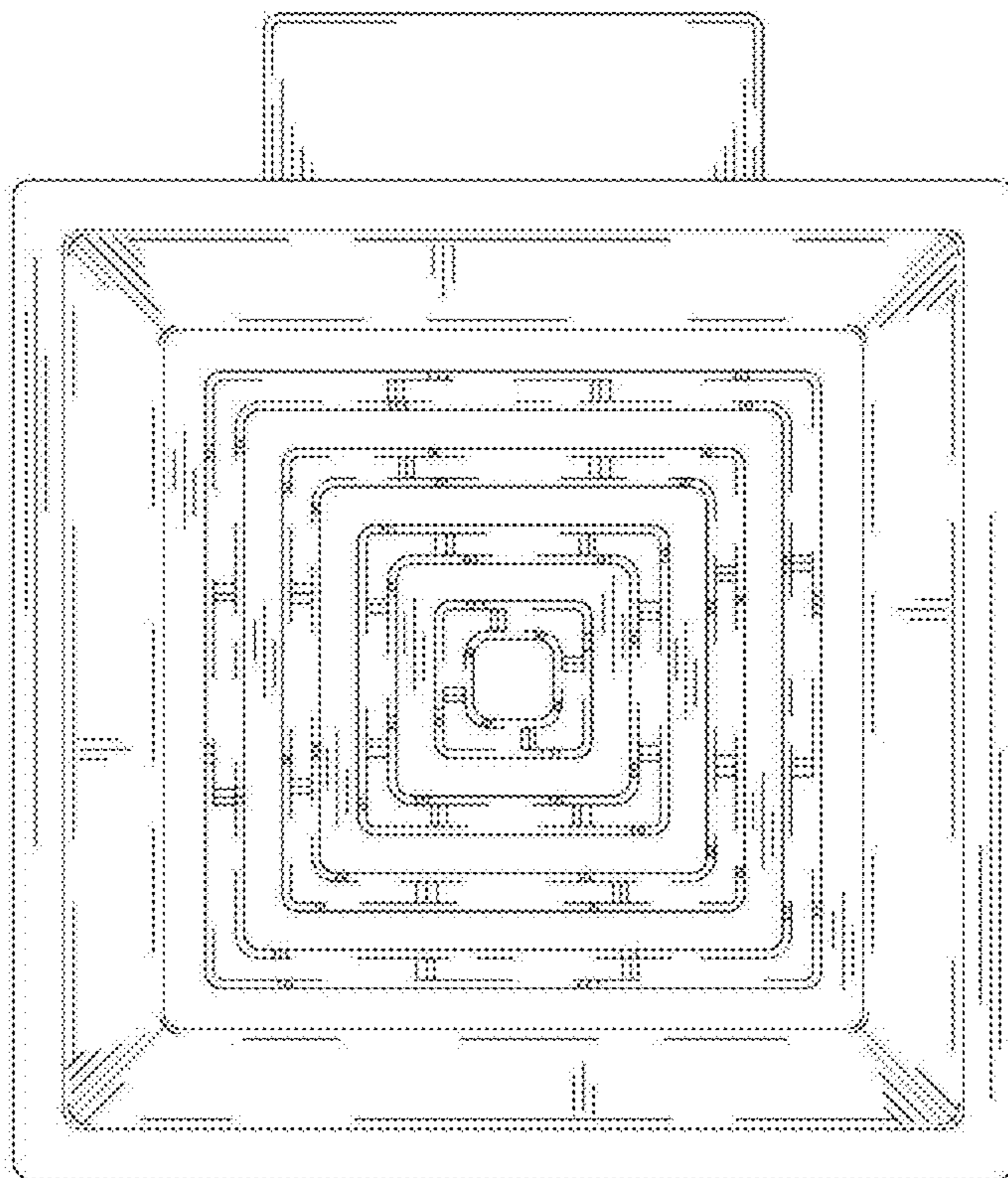


FIG. 32

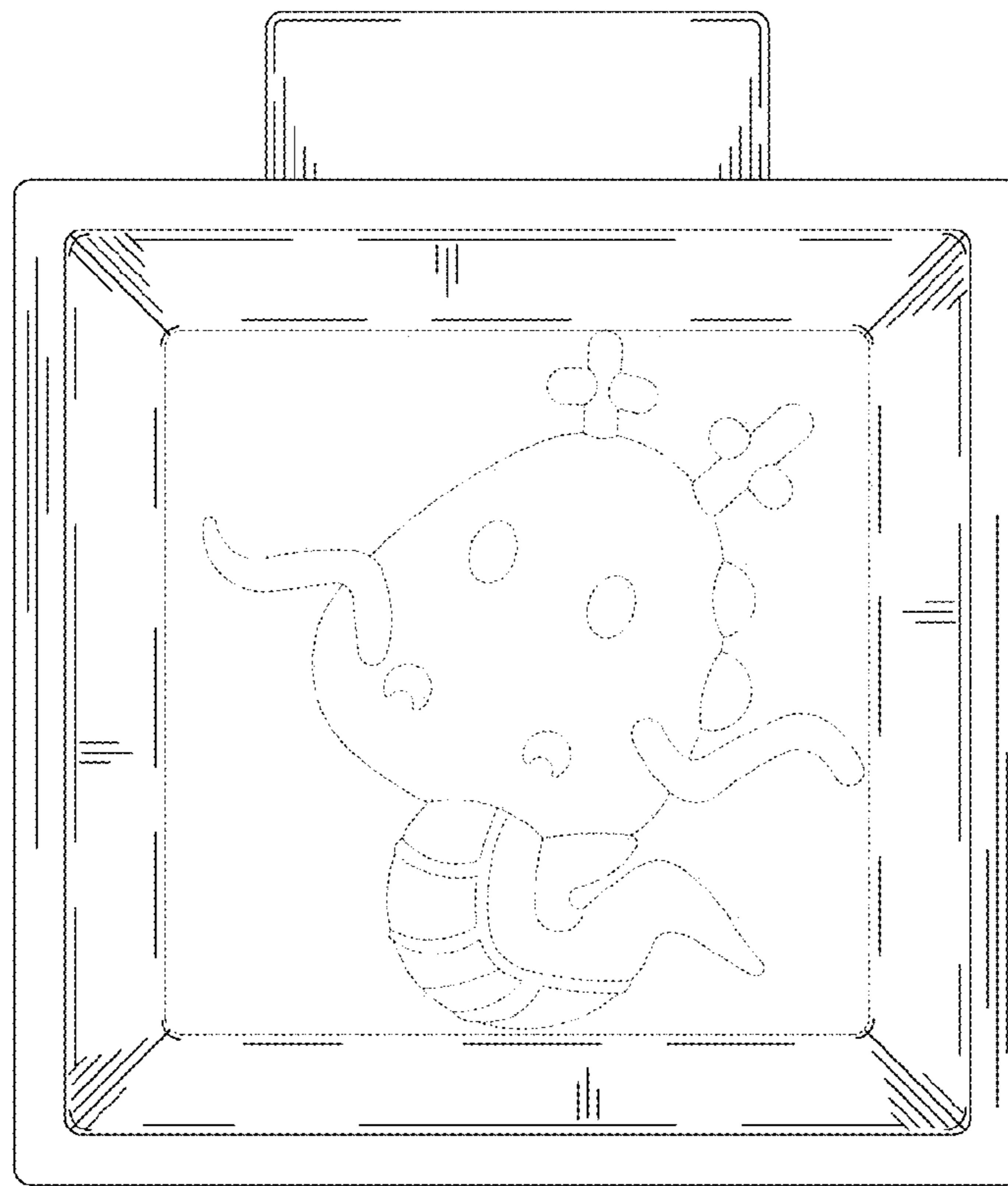


FIG.33

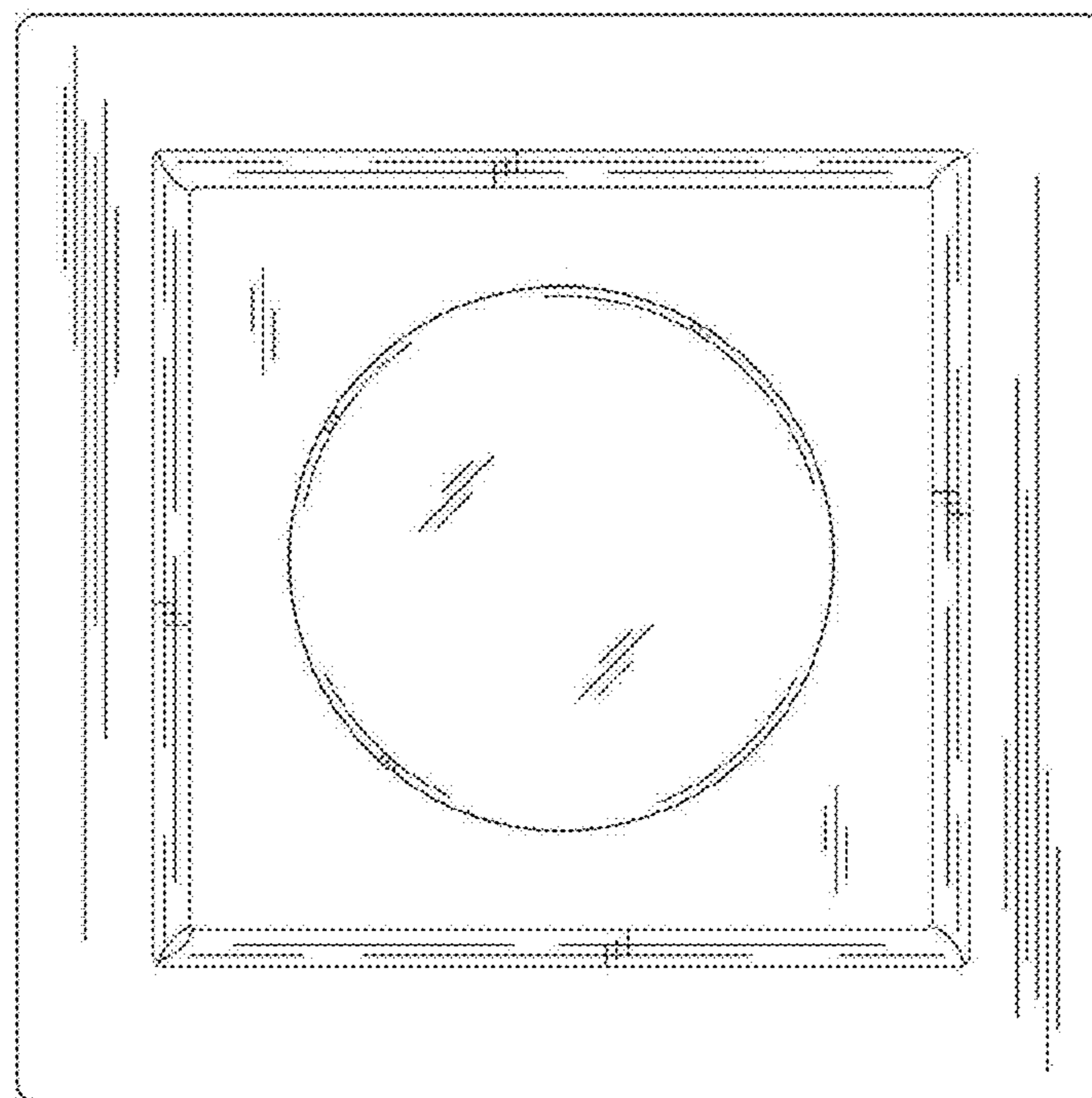


FIG.34

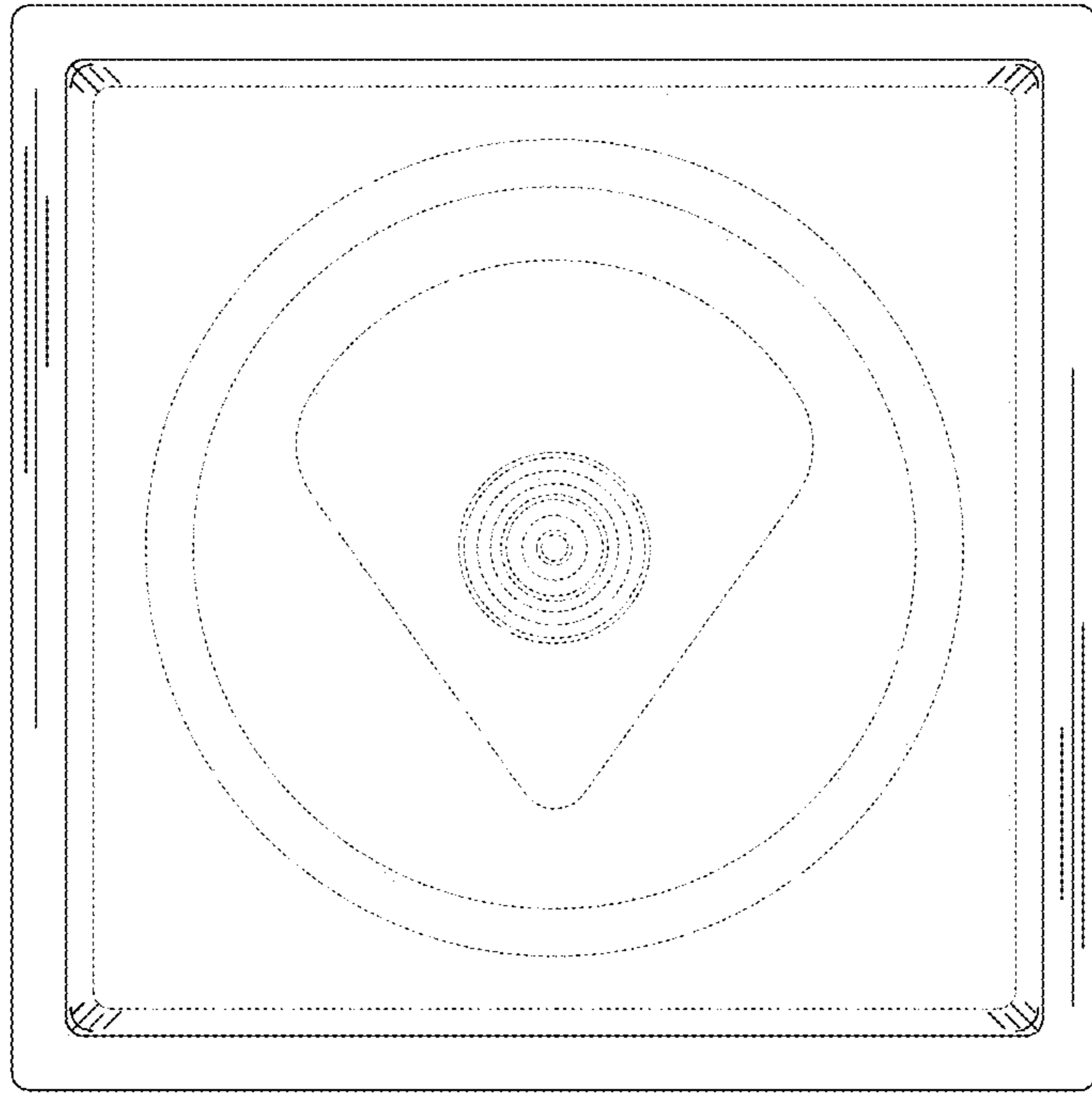


FIG.35

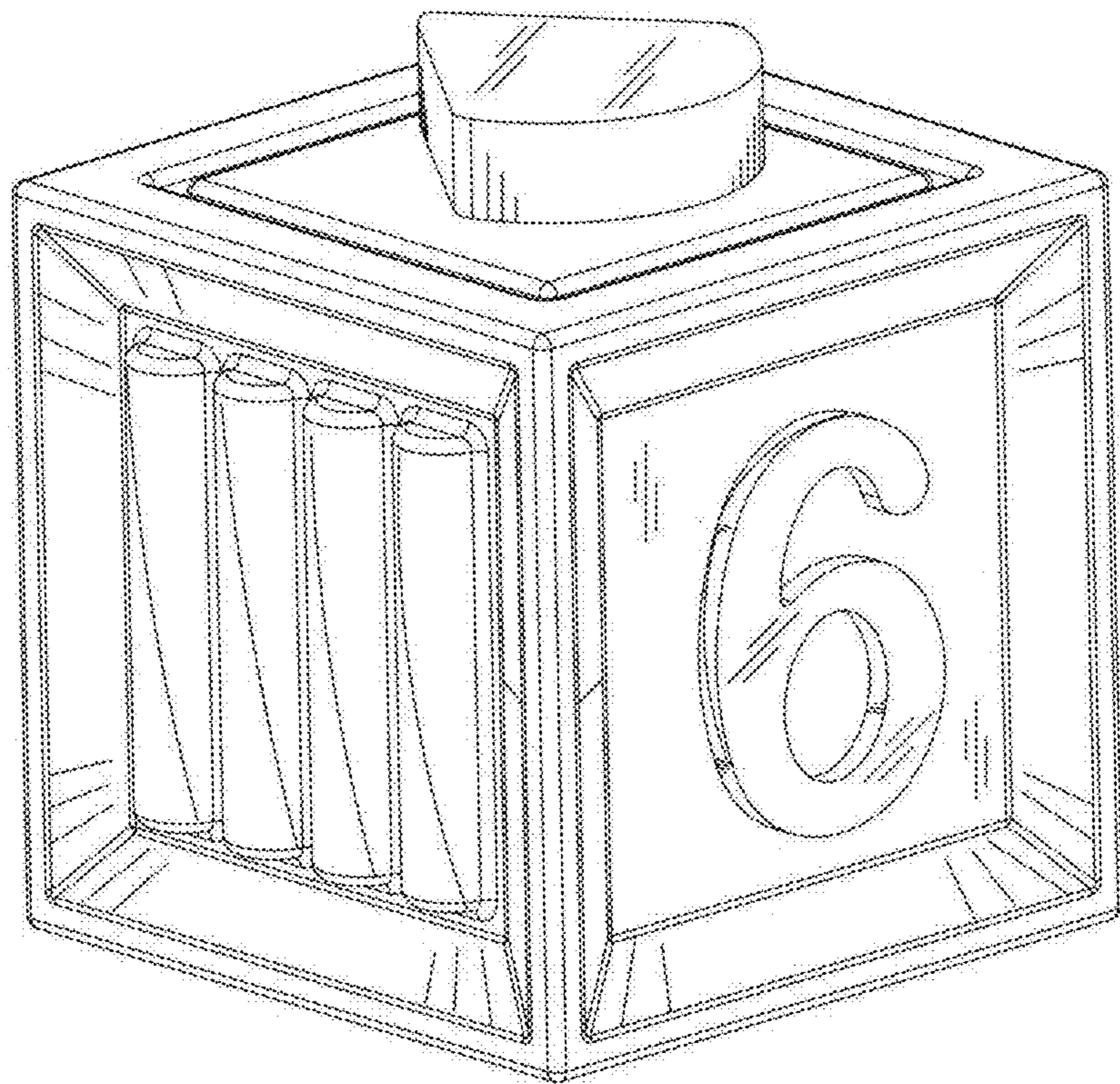


FIG.36

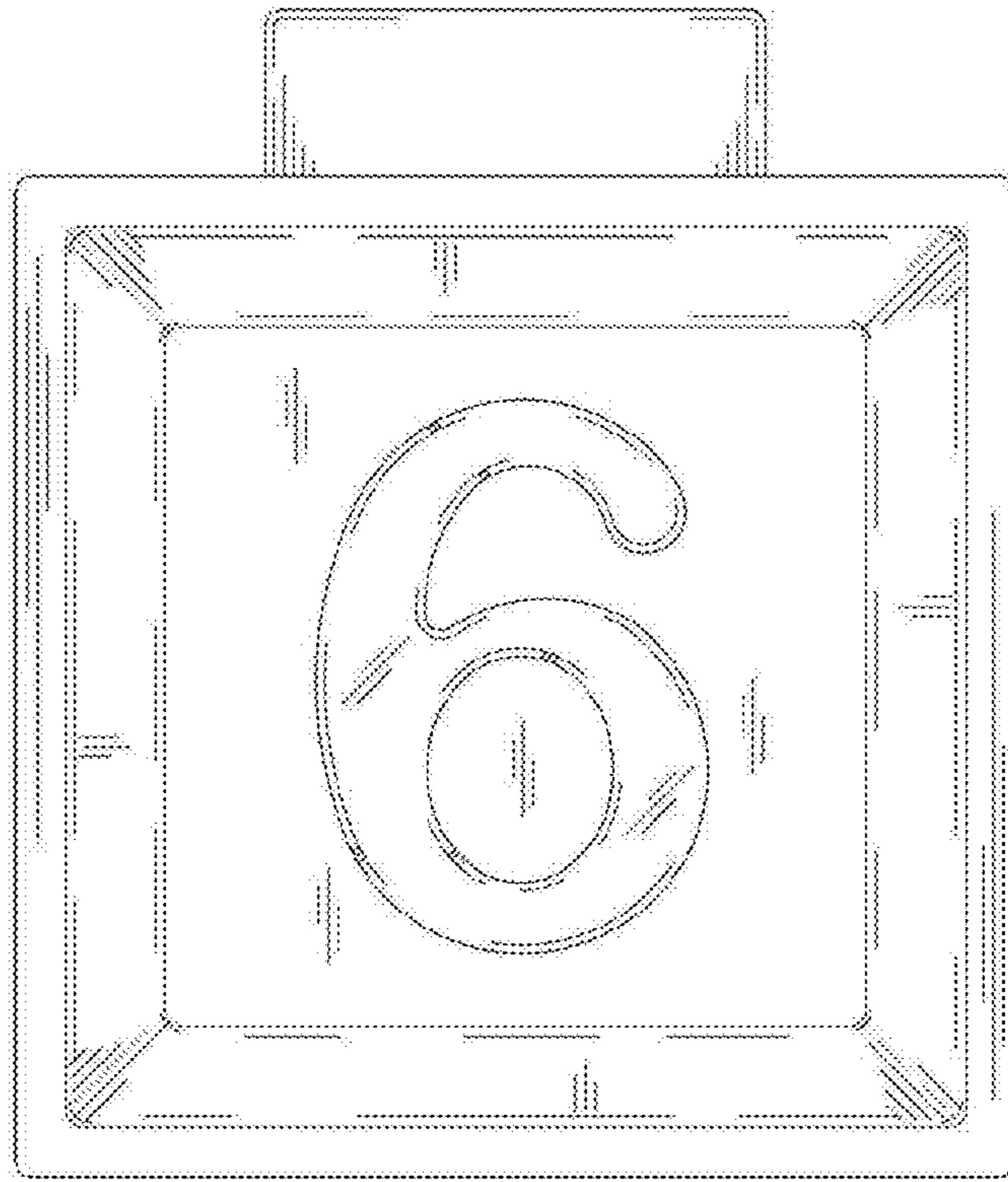


FIG.37

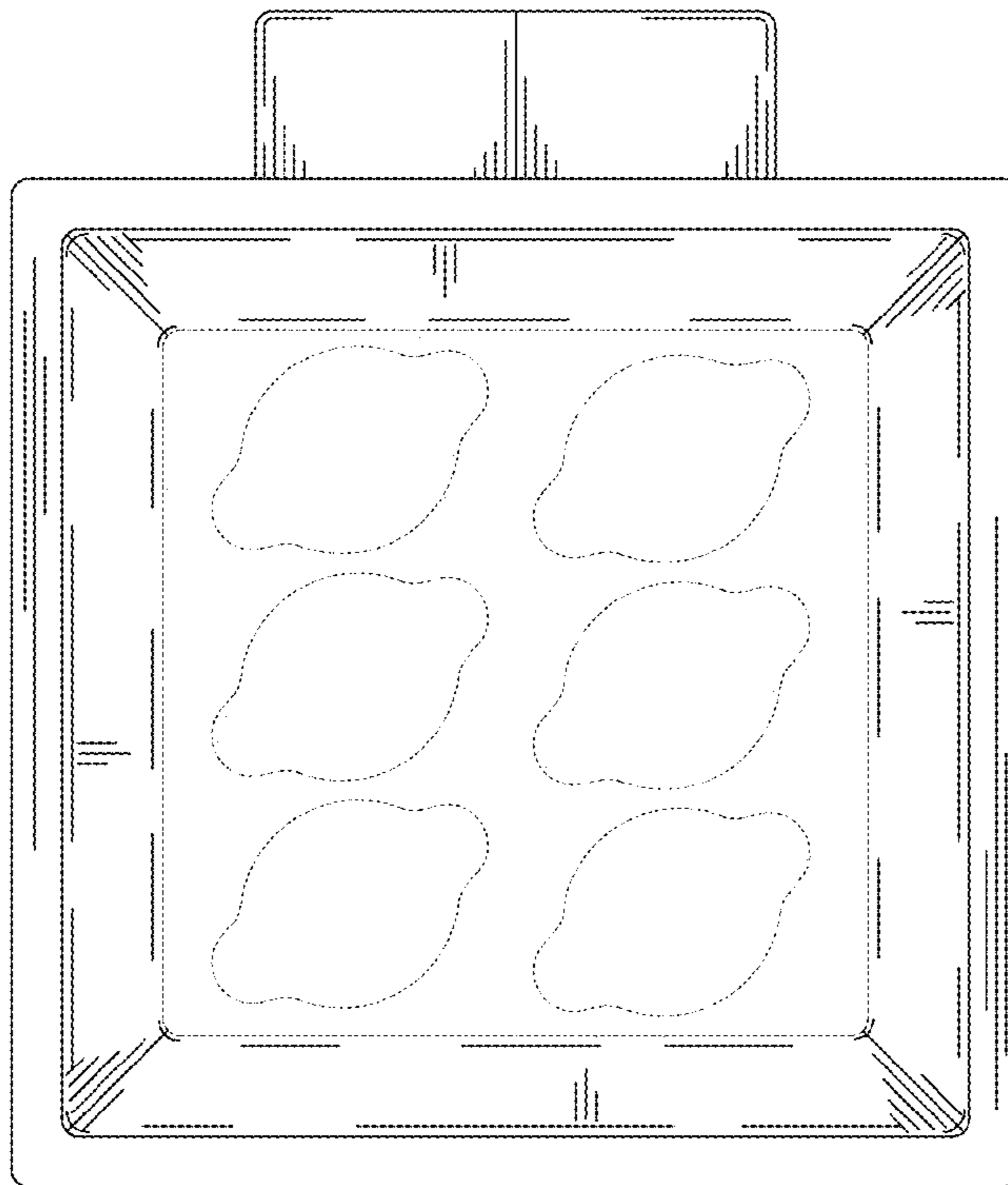


FIG.38

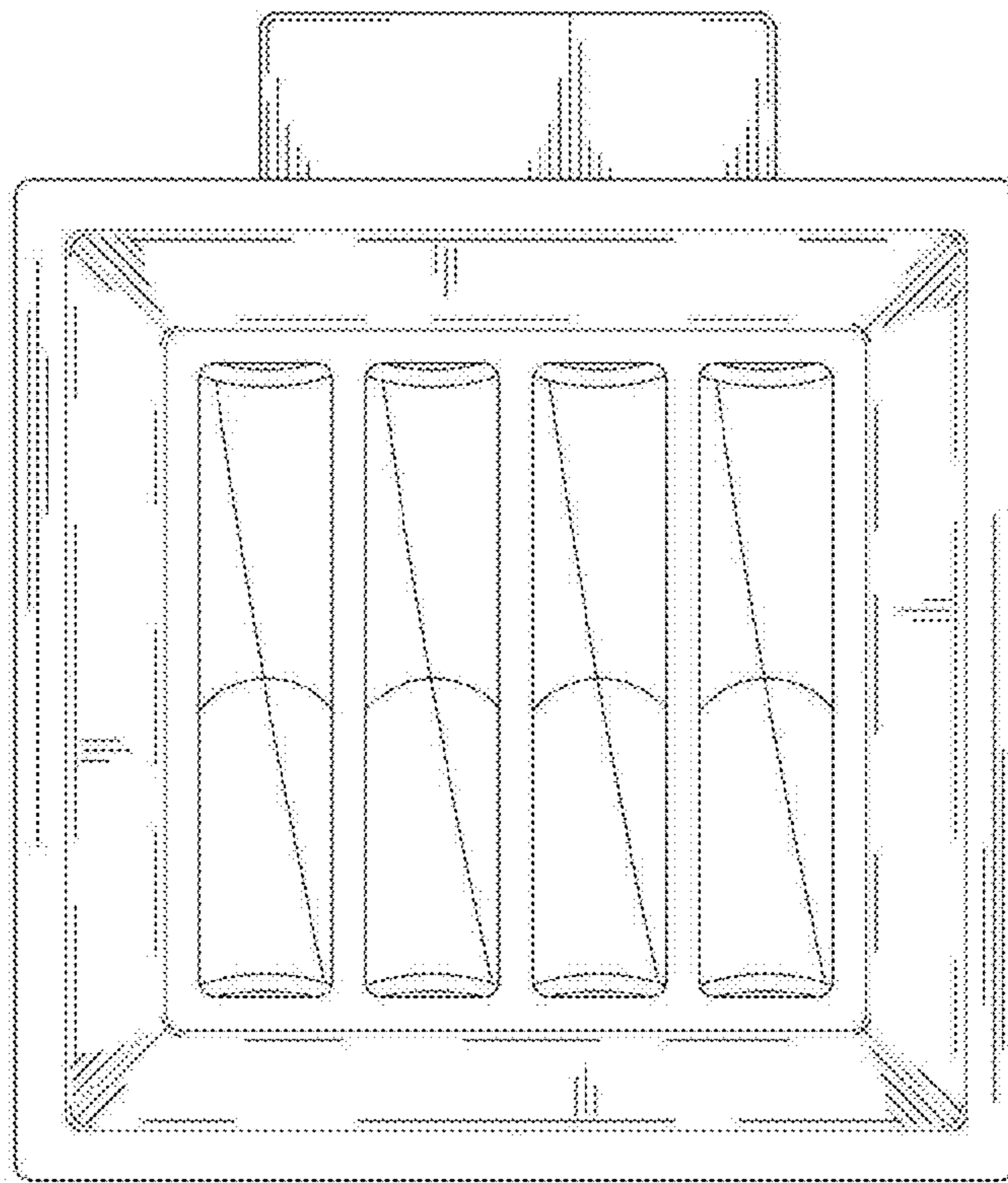


FIG.39

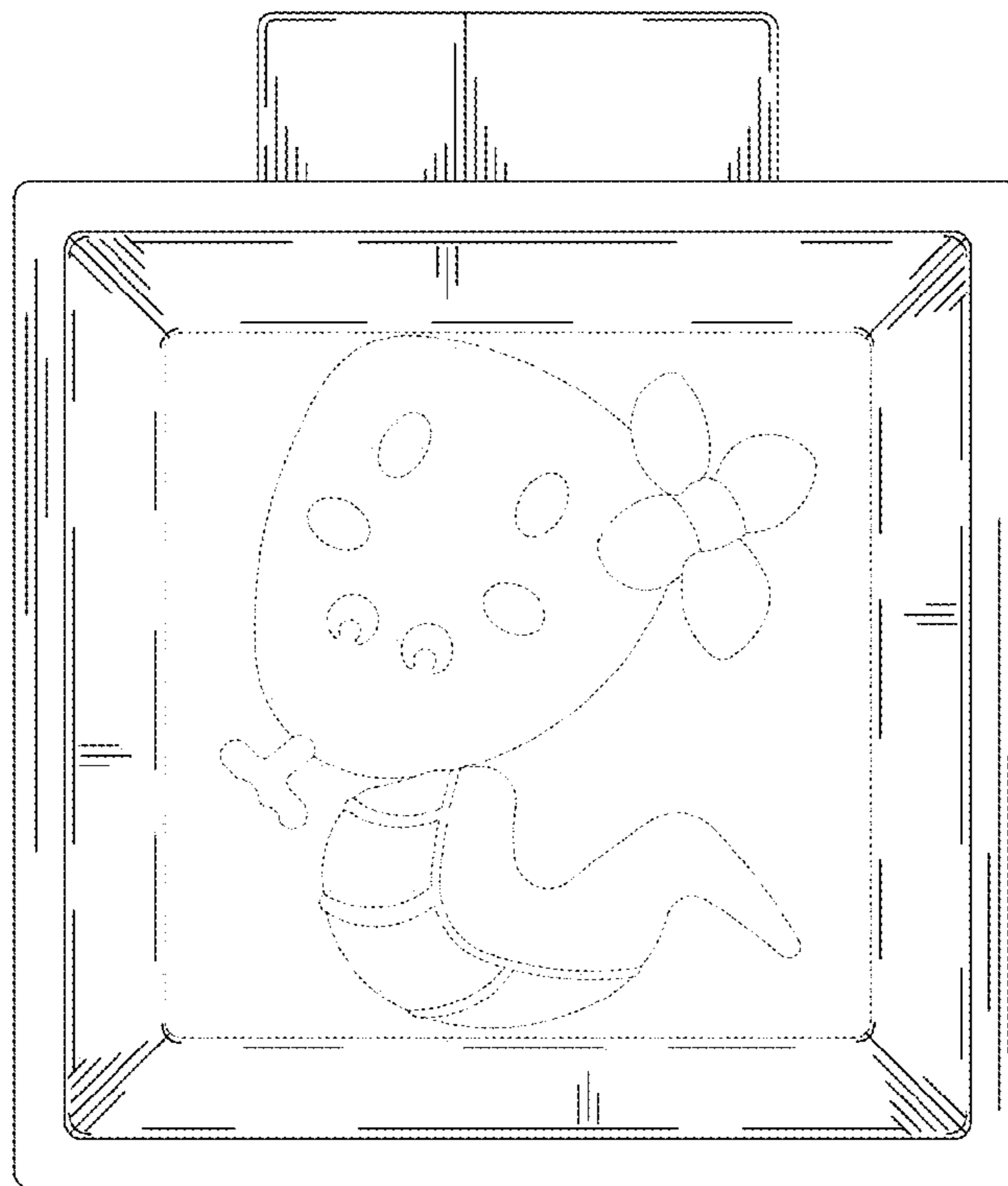


FIG.40

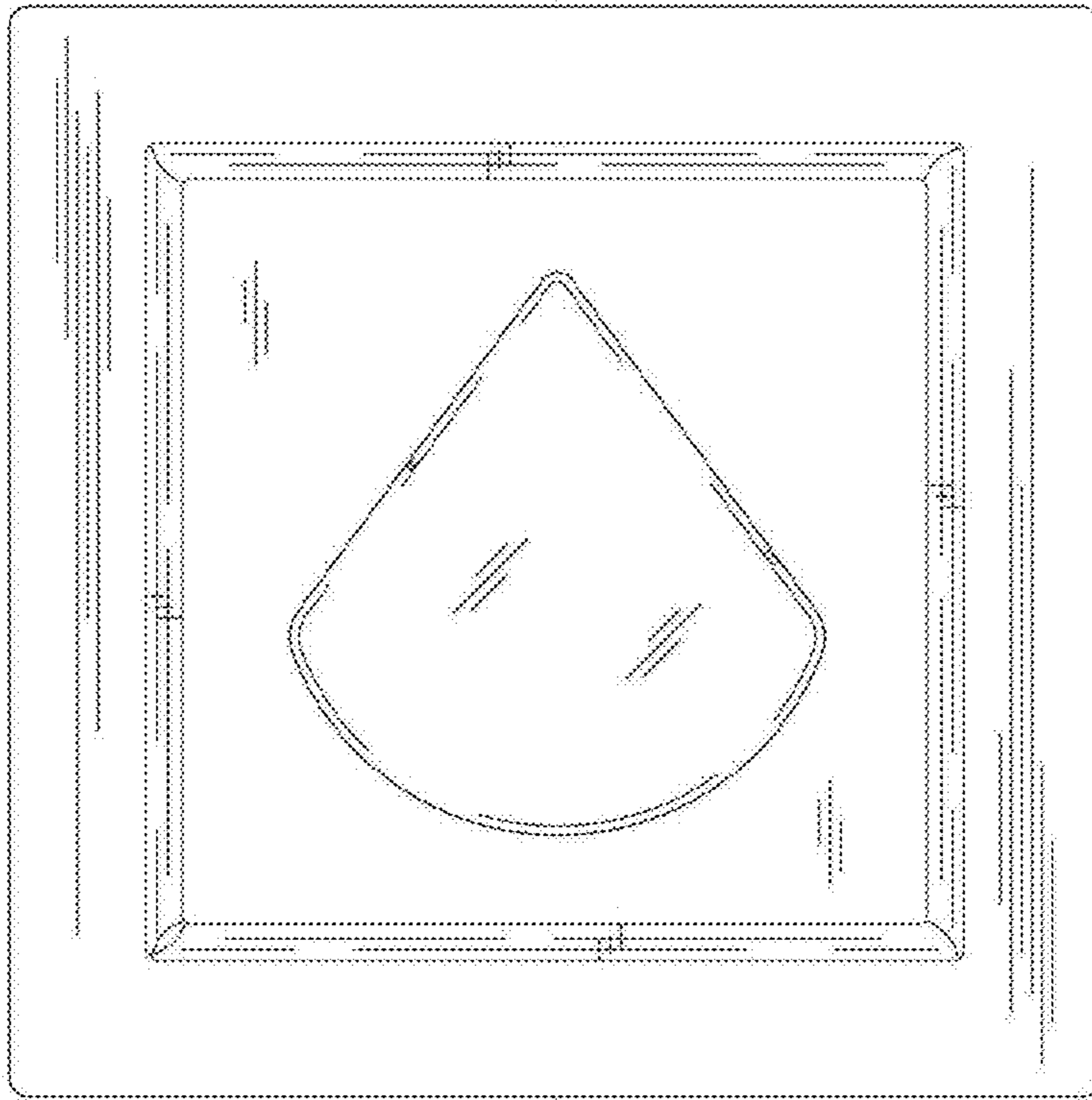


FIG.41

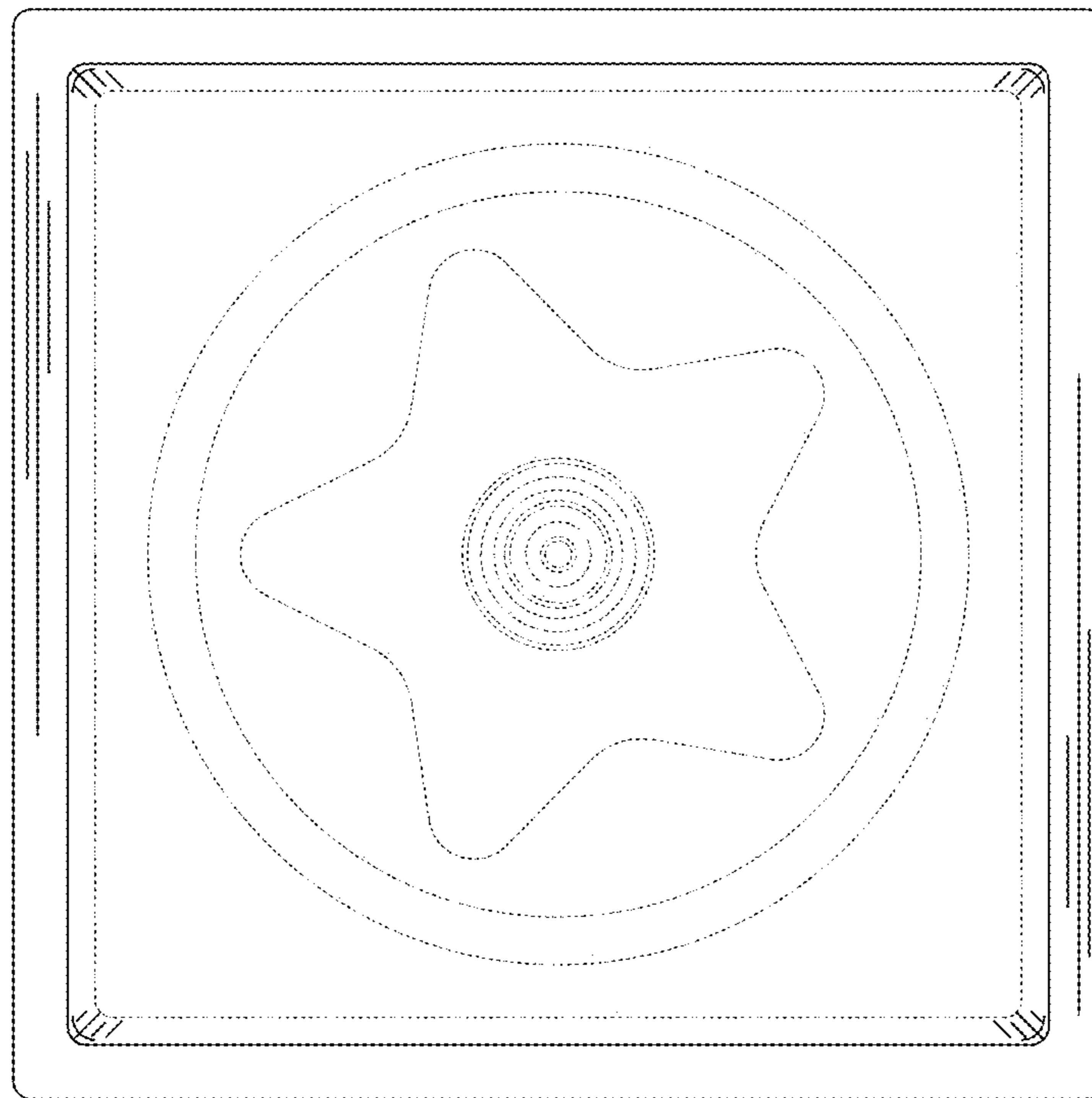


FIG.42

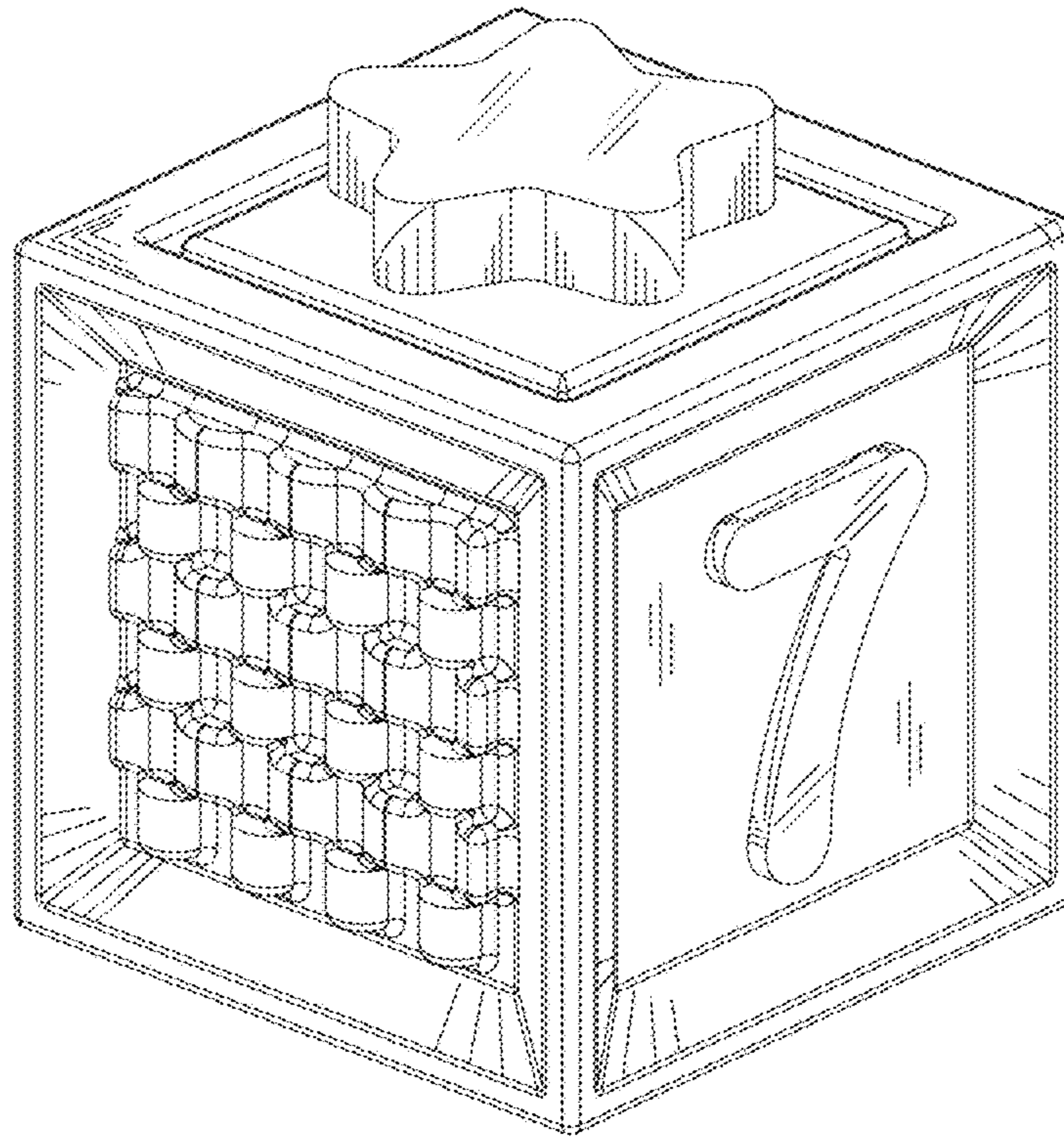


FIG. 43

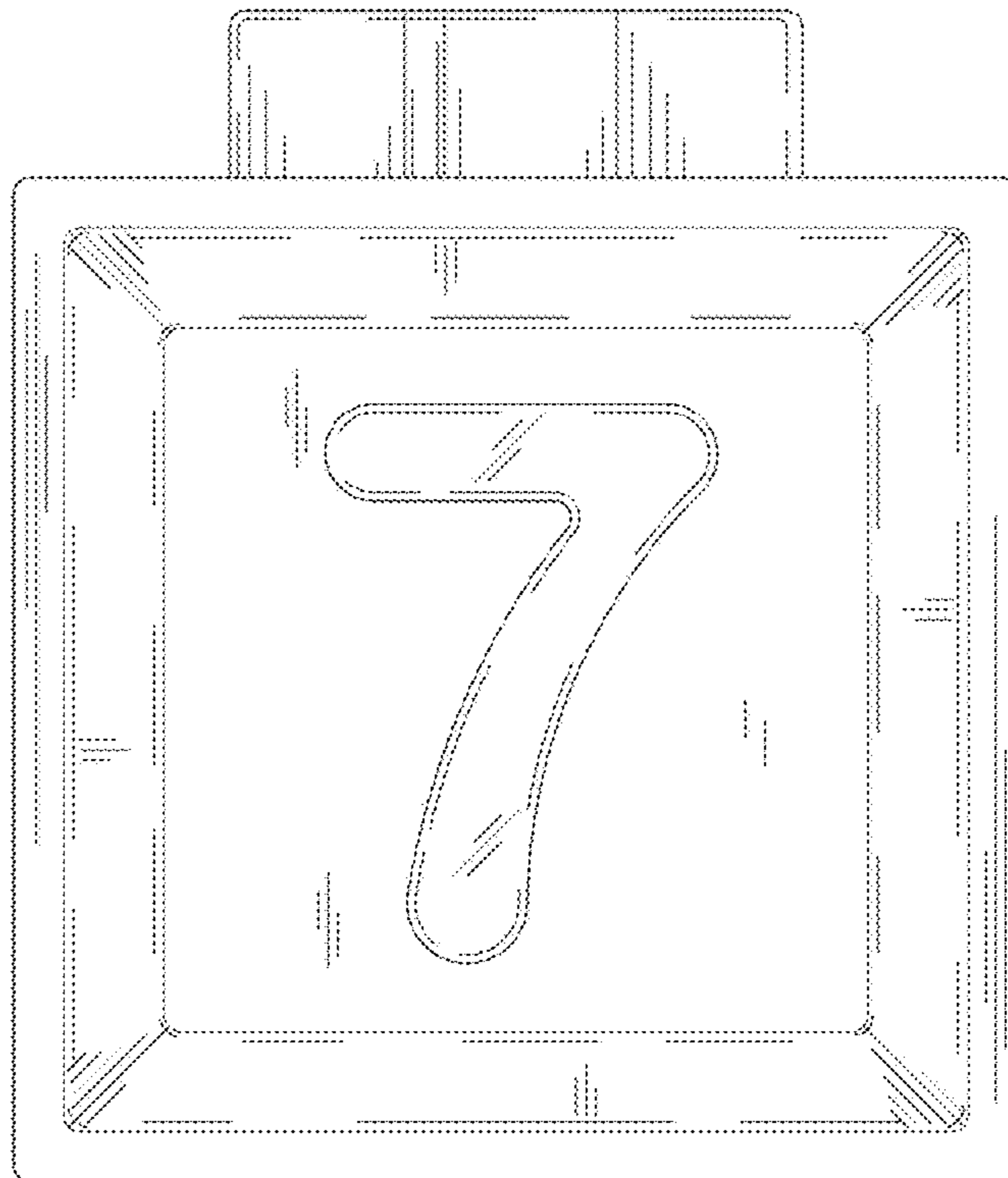


FIG. 44

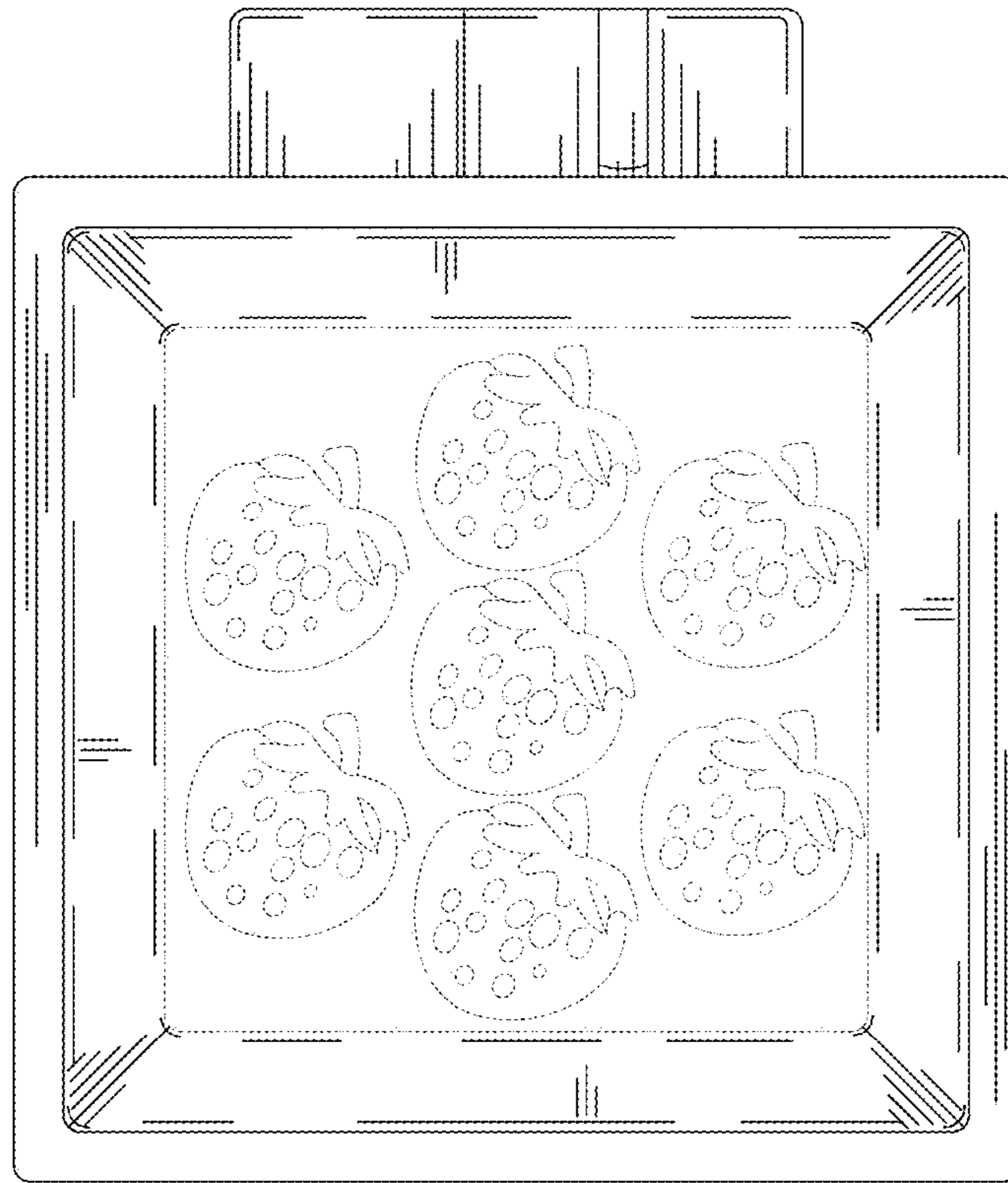


FIG. 45

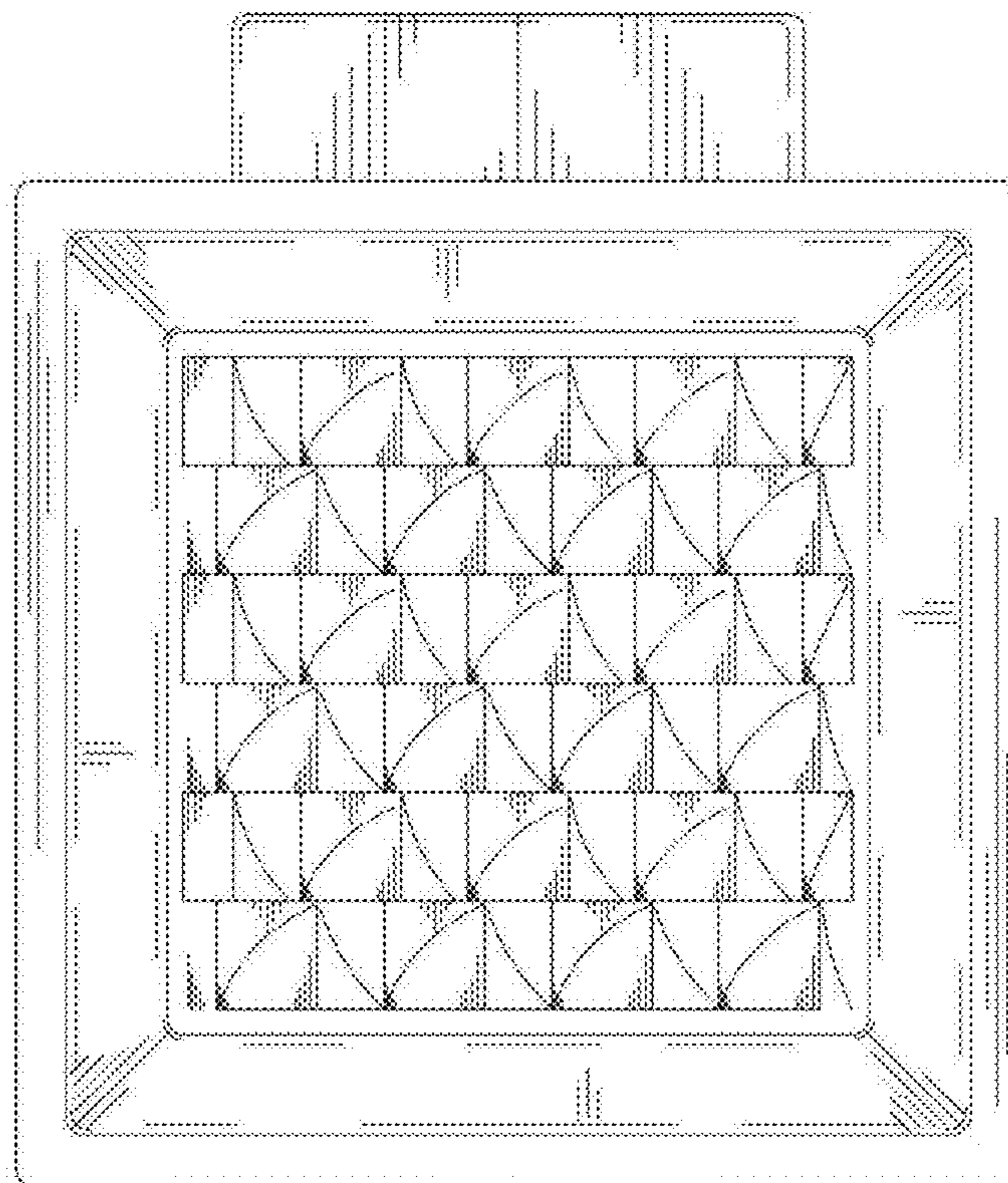


FIG. 46

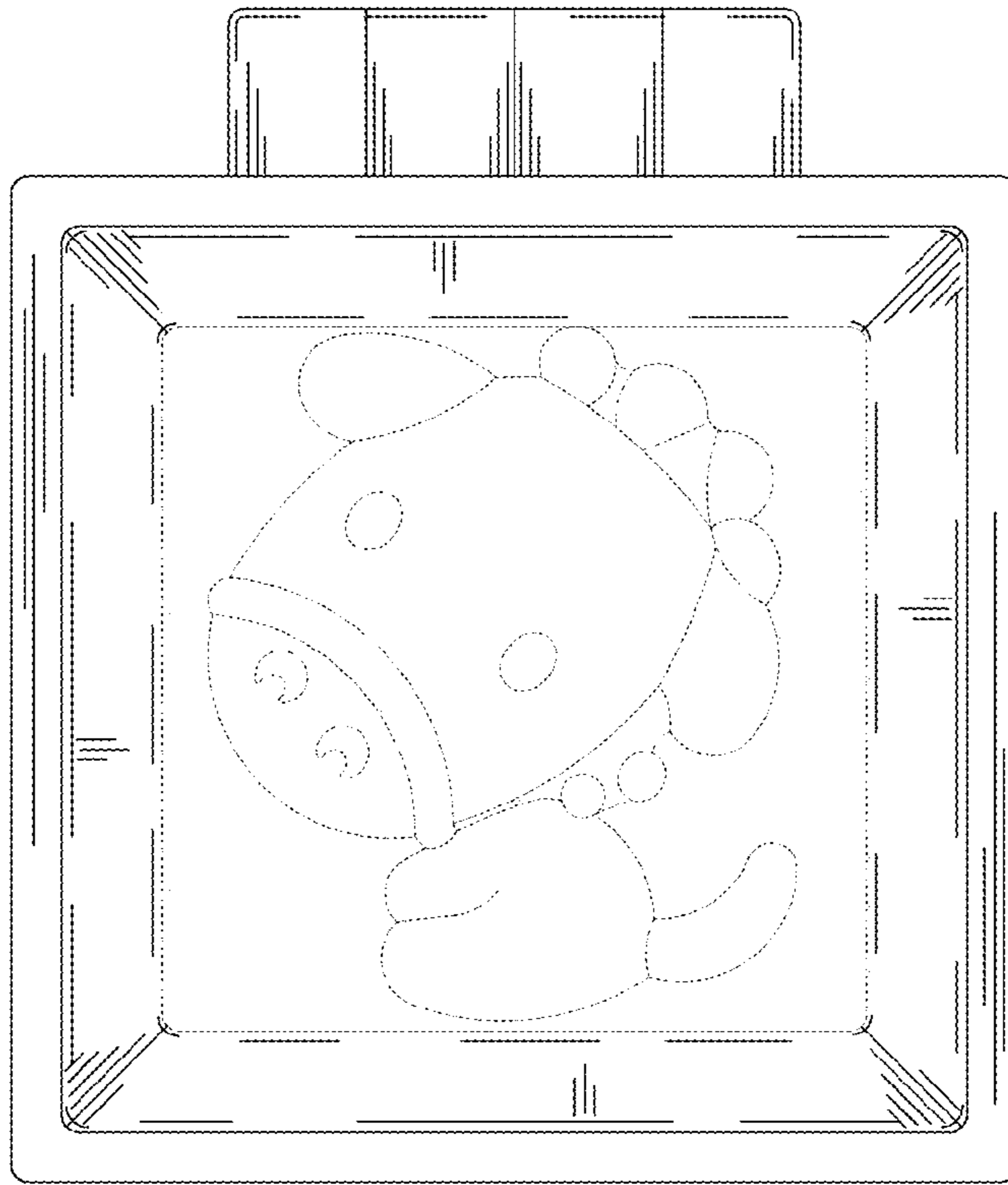


FIG.47

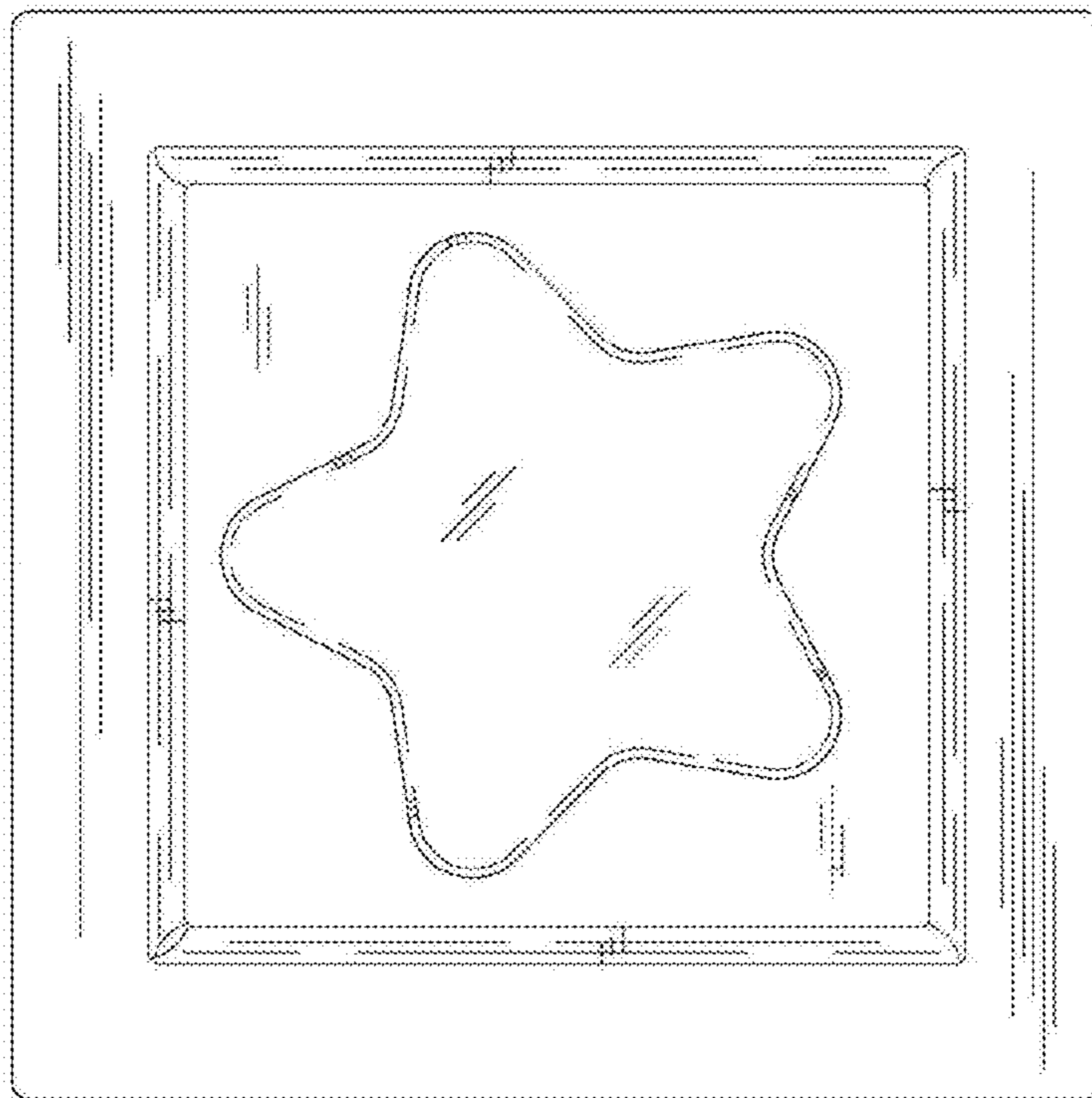


FIG.48

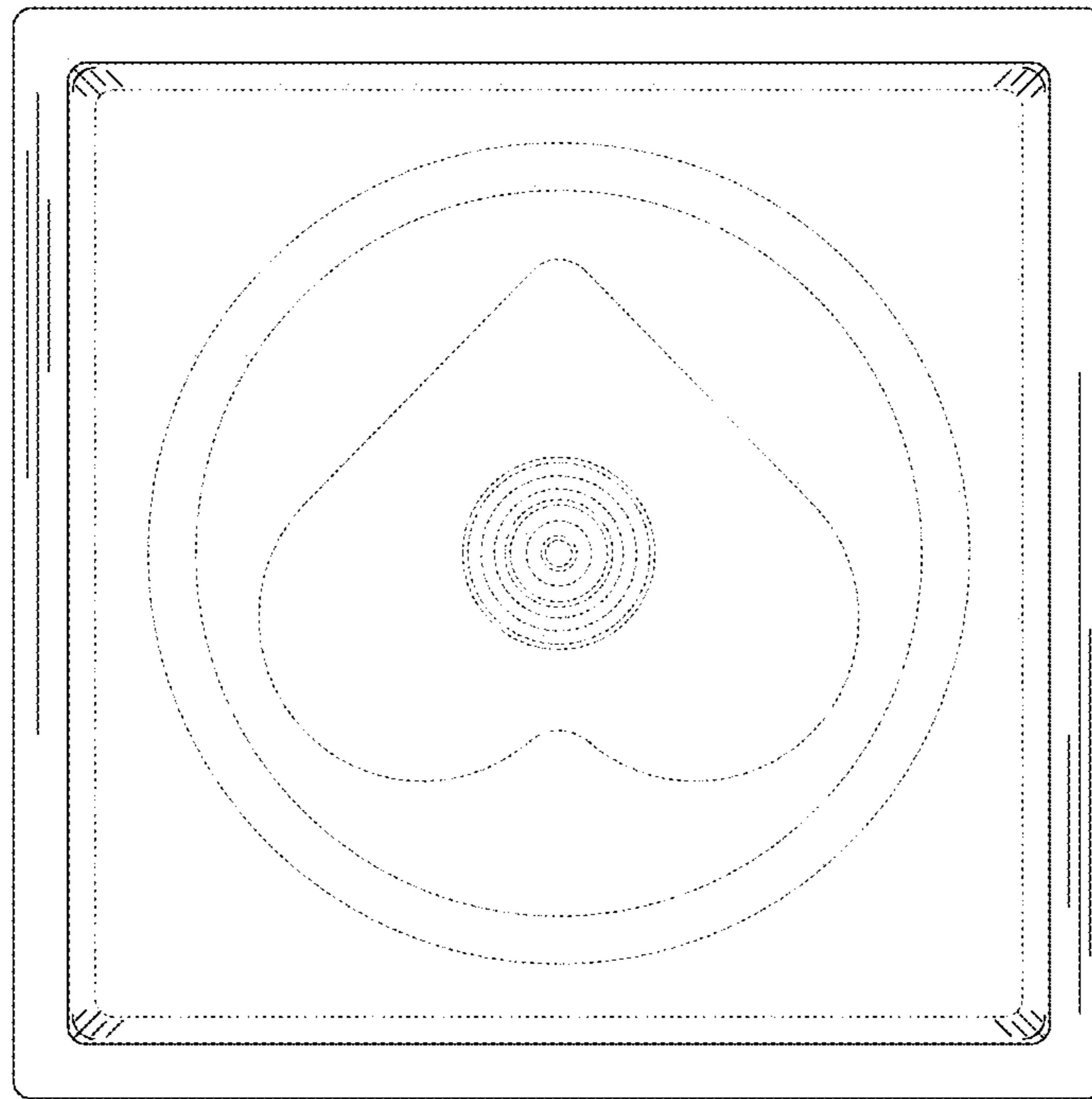


FIG.49

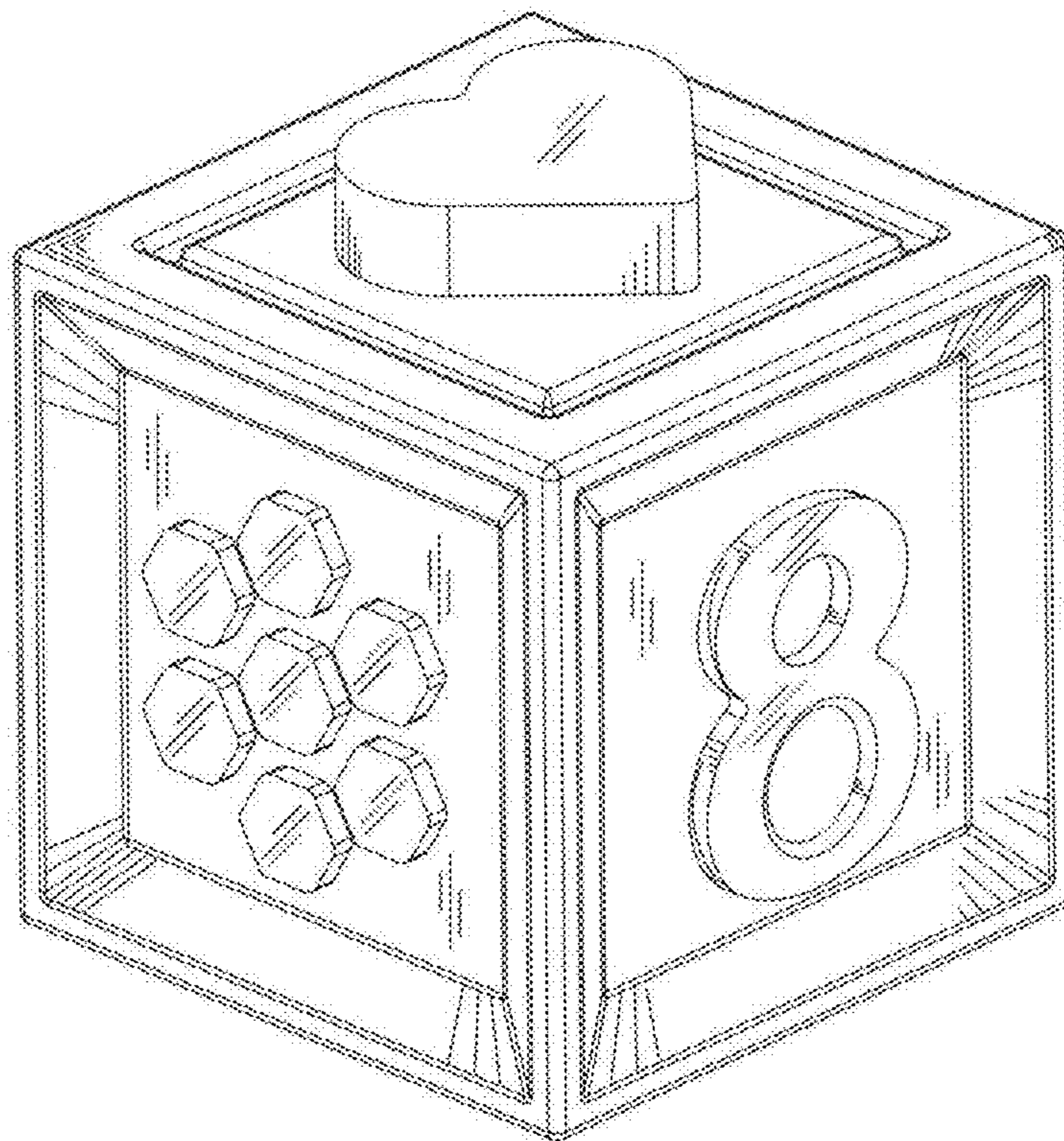


FIG.50

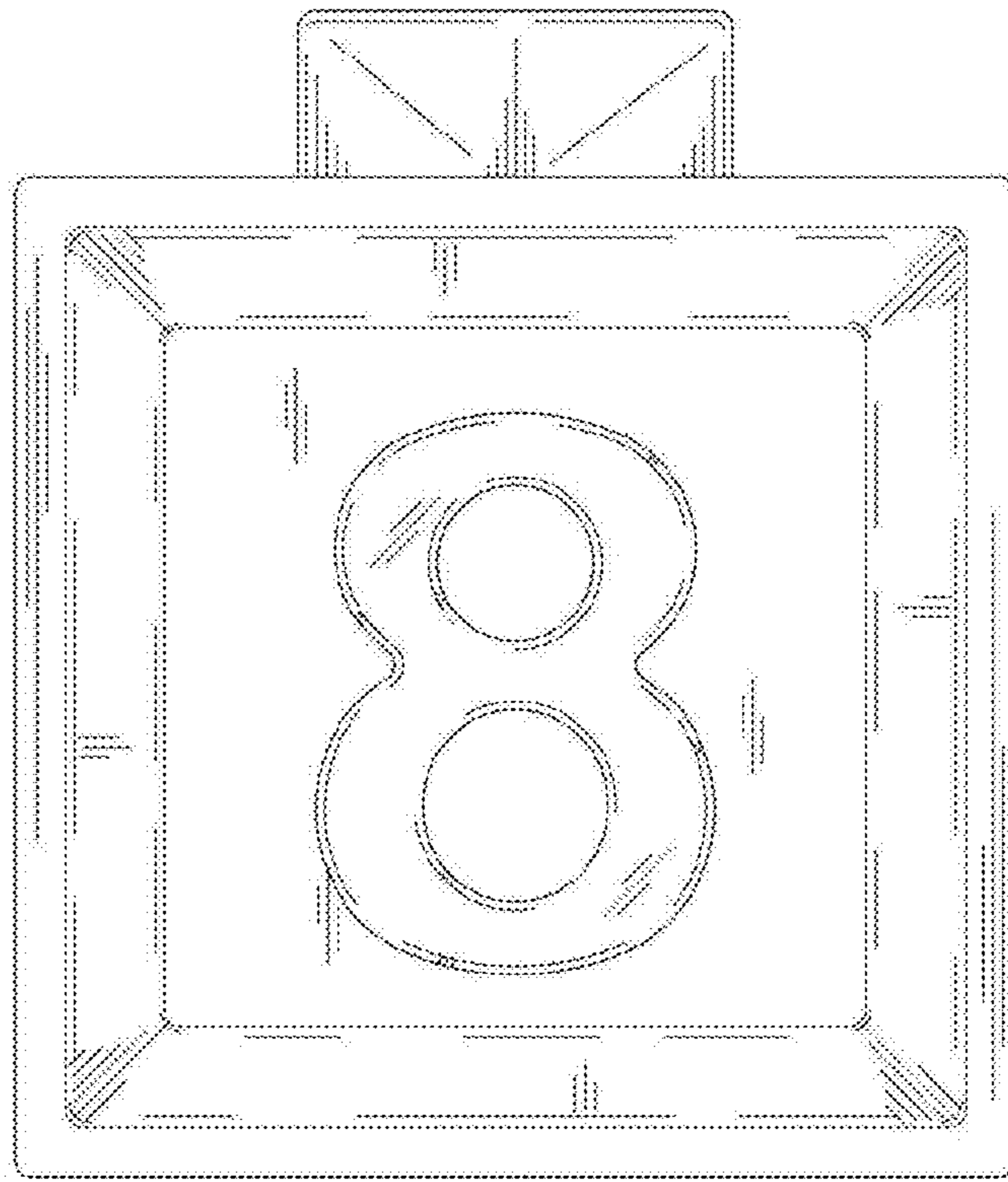


FIG. 51

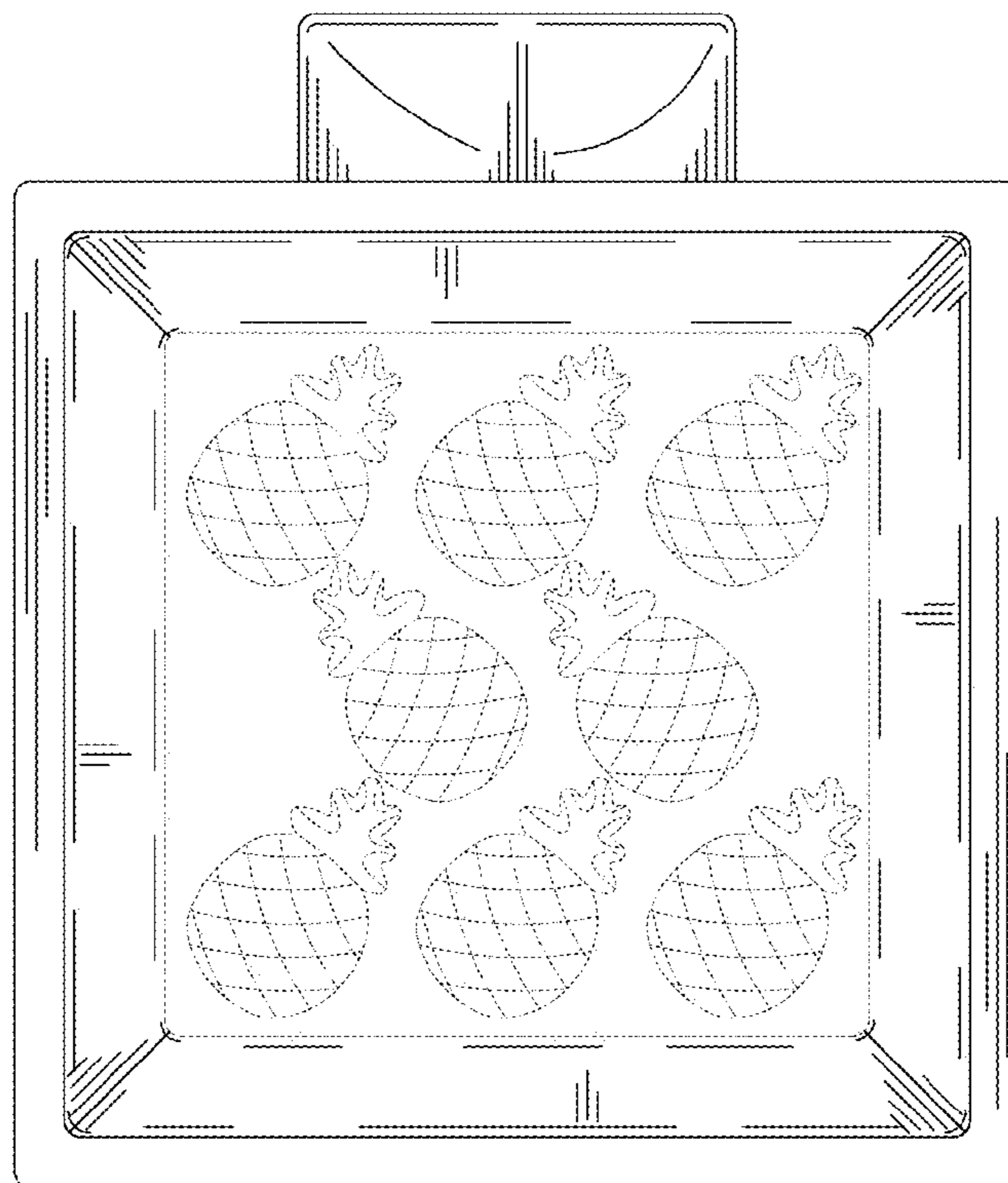


FIG. 52

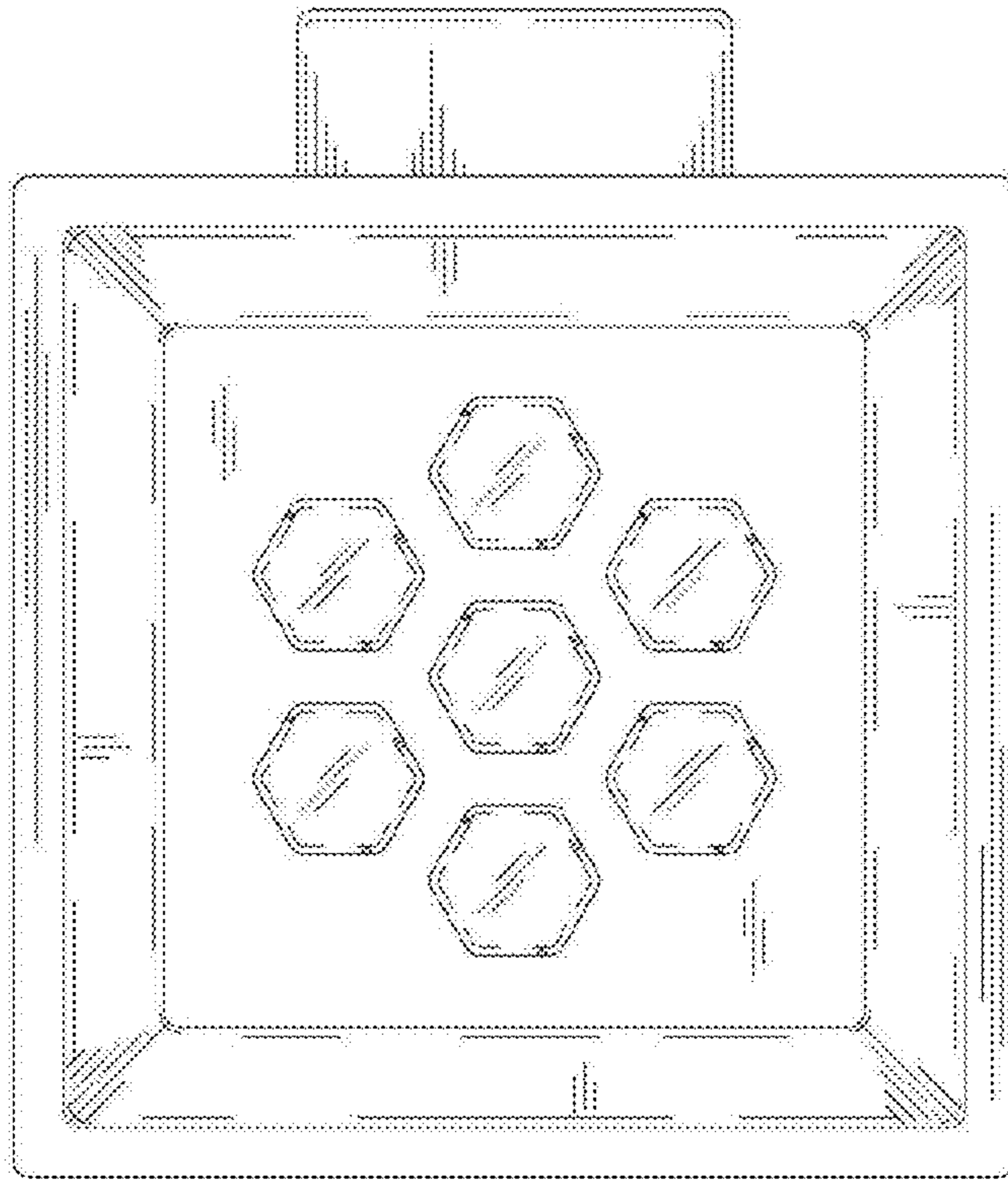


FIG.53

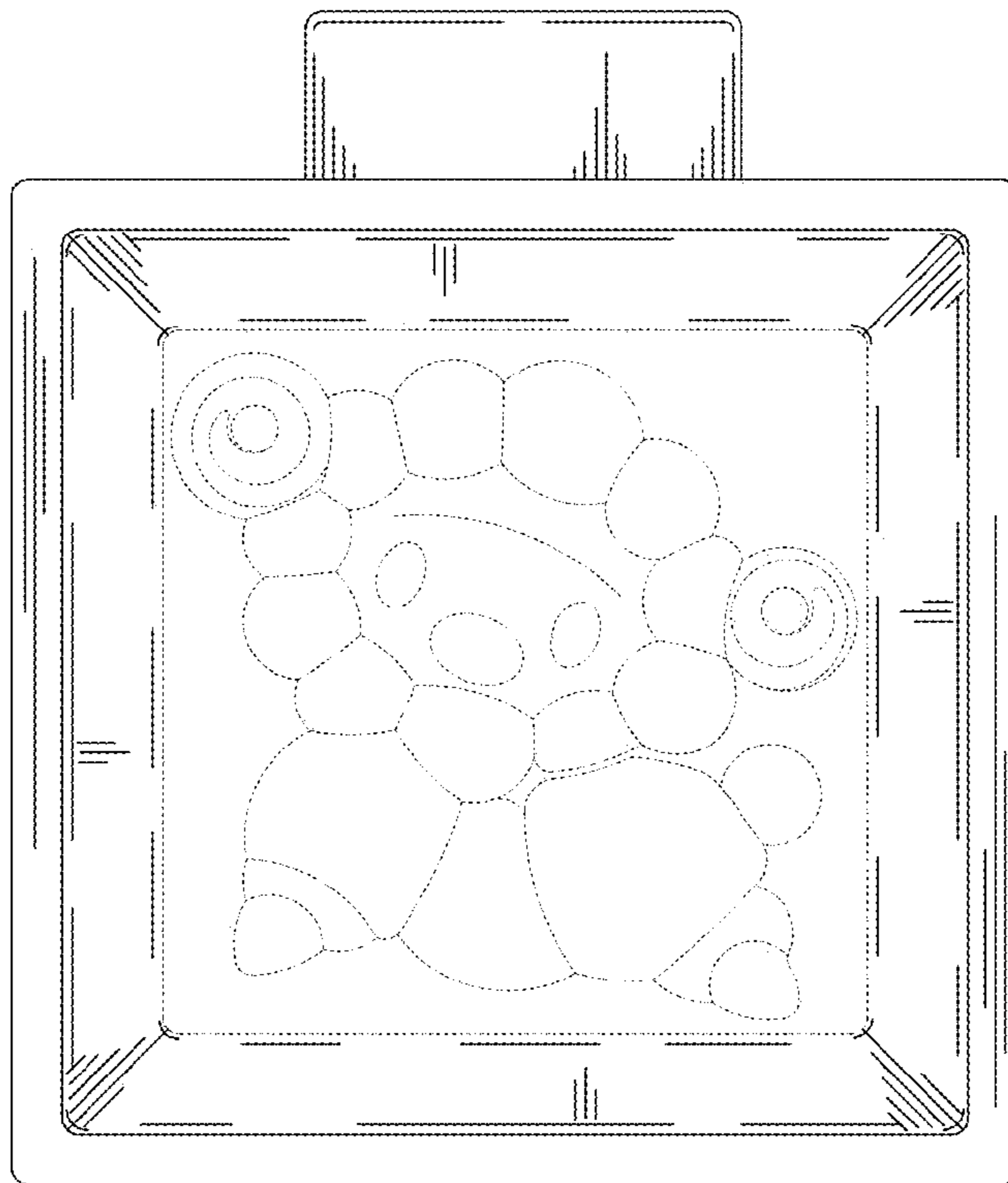


FIG.54

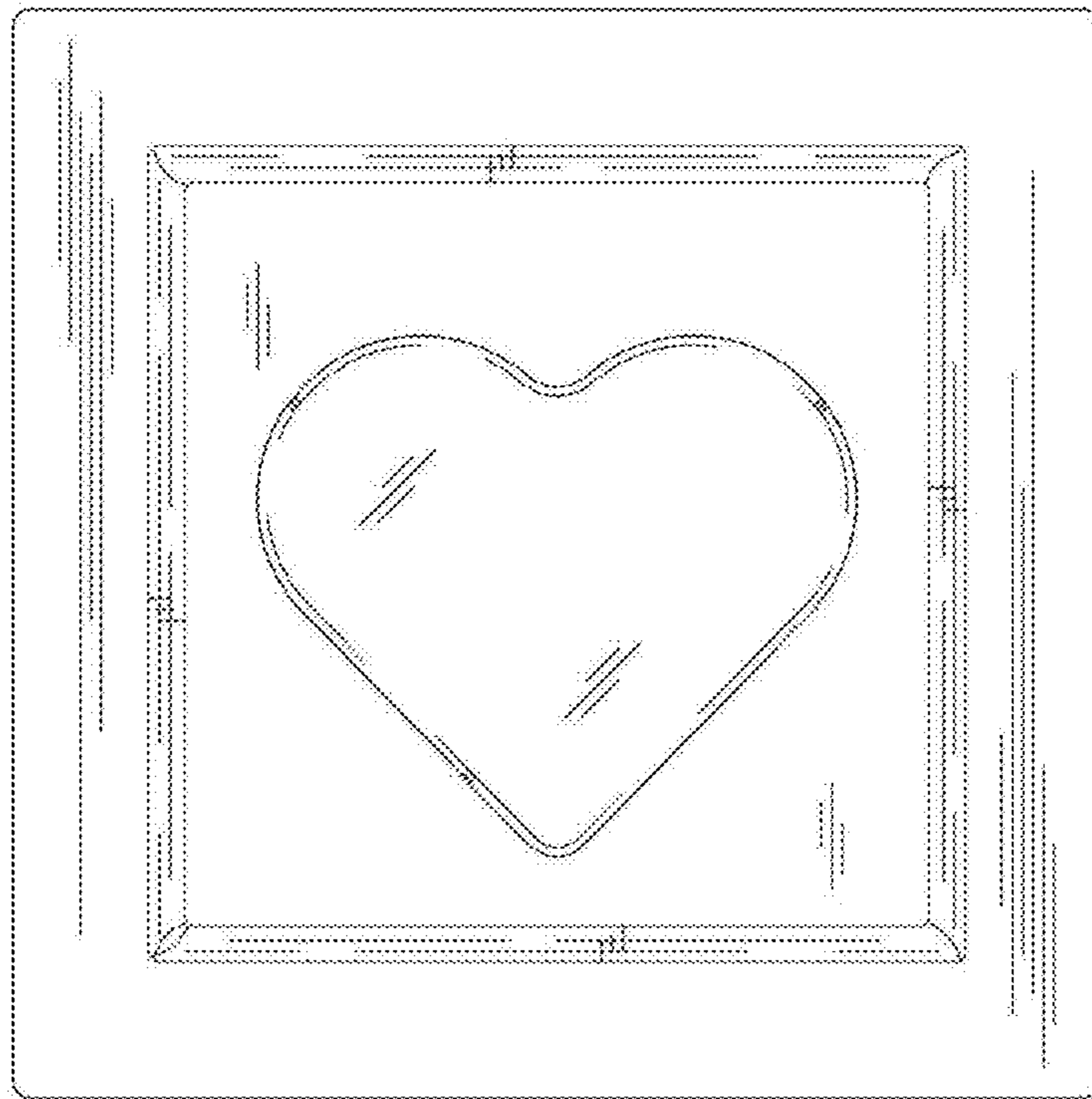


FIG.55

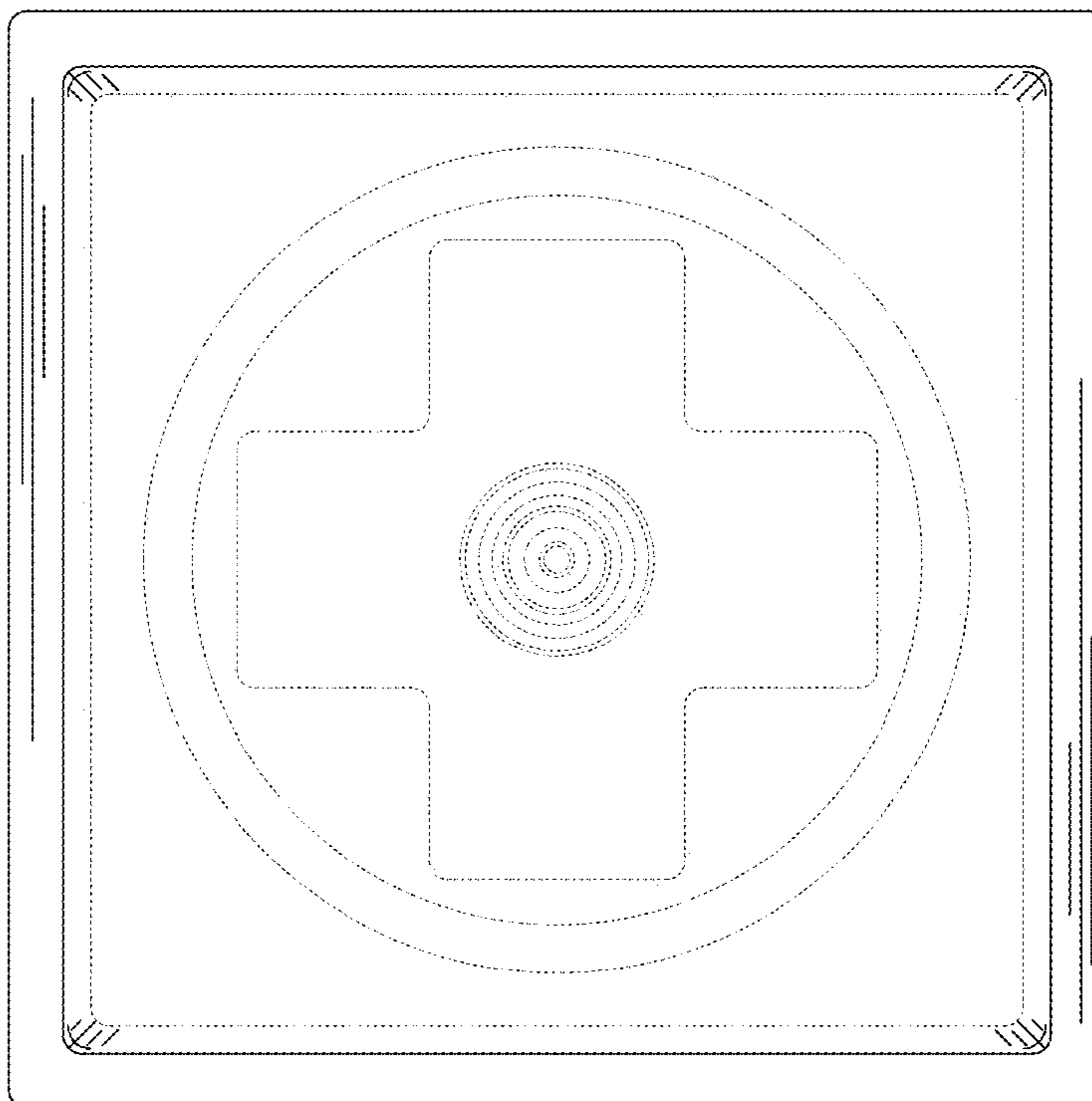


FIG.56

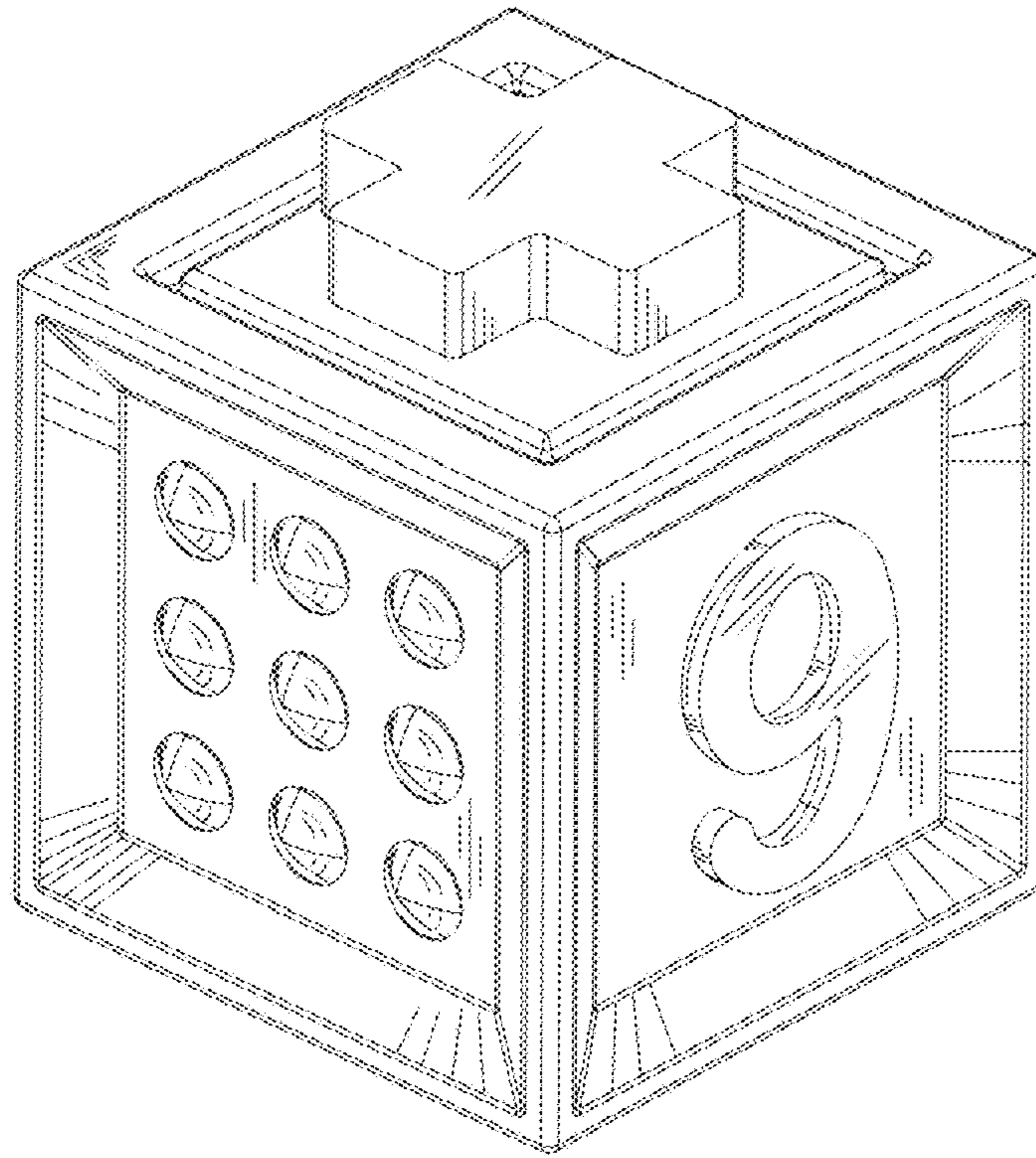


FIG. 57

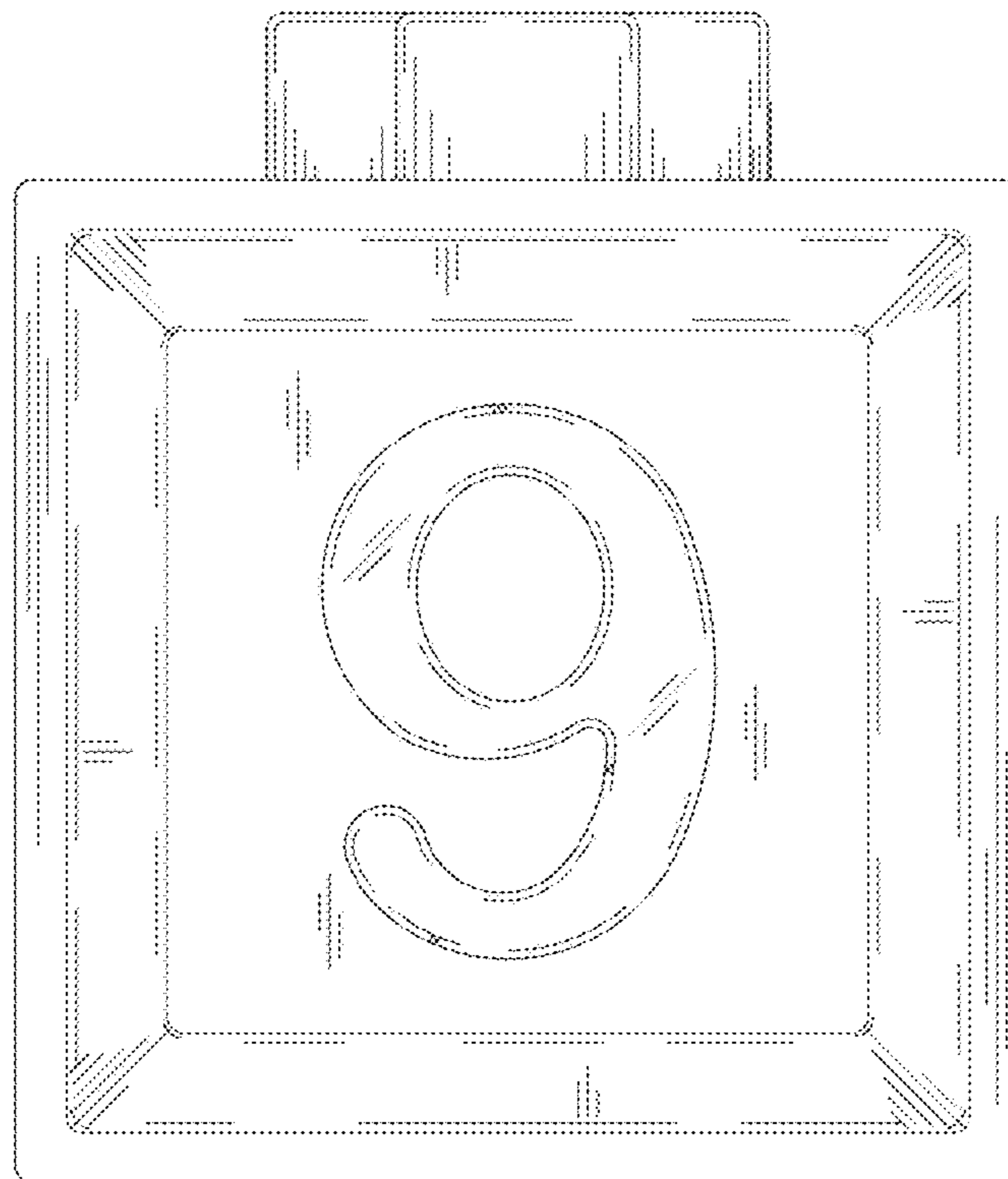


FIG. 58

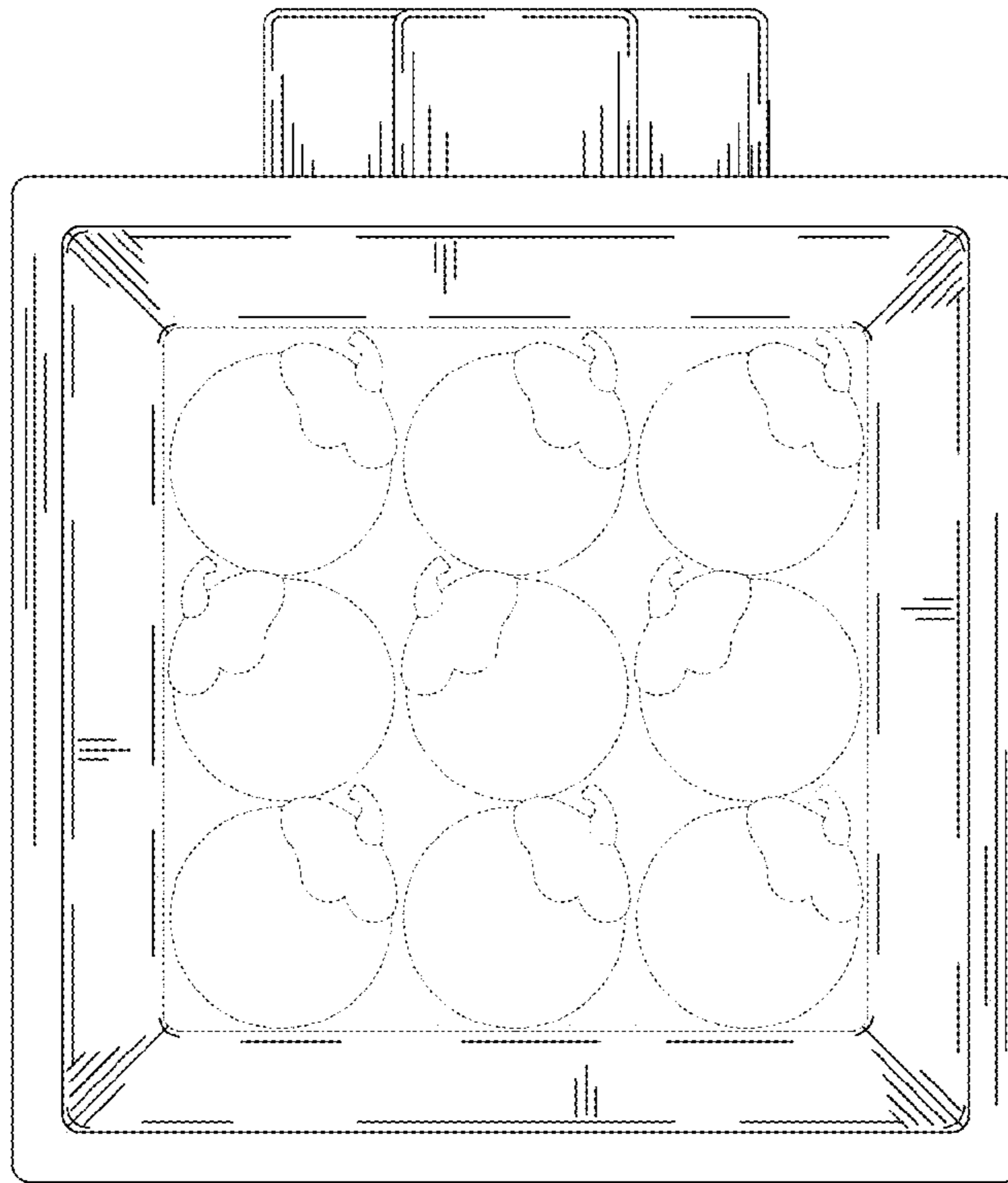


FIG. 59

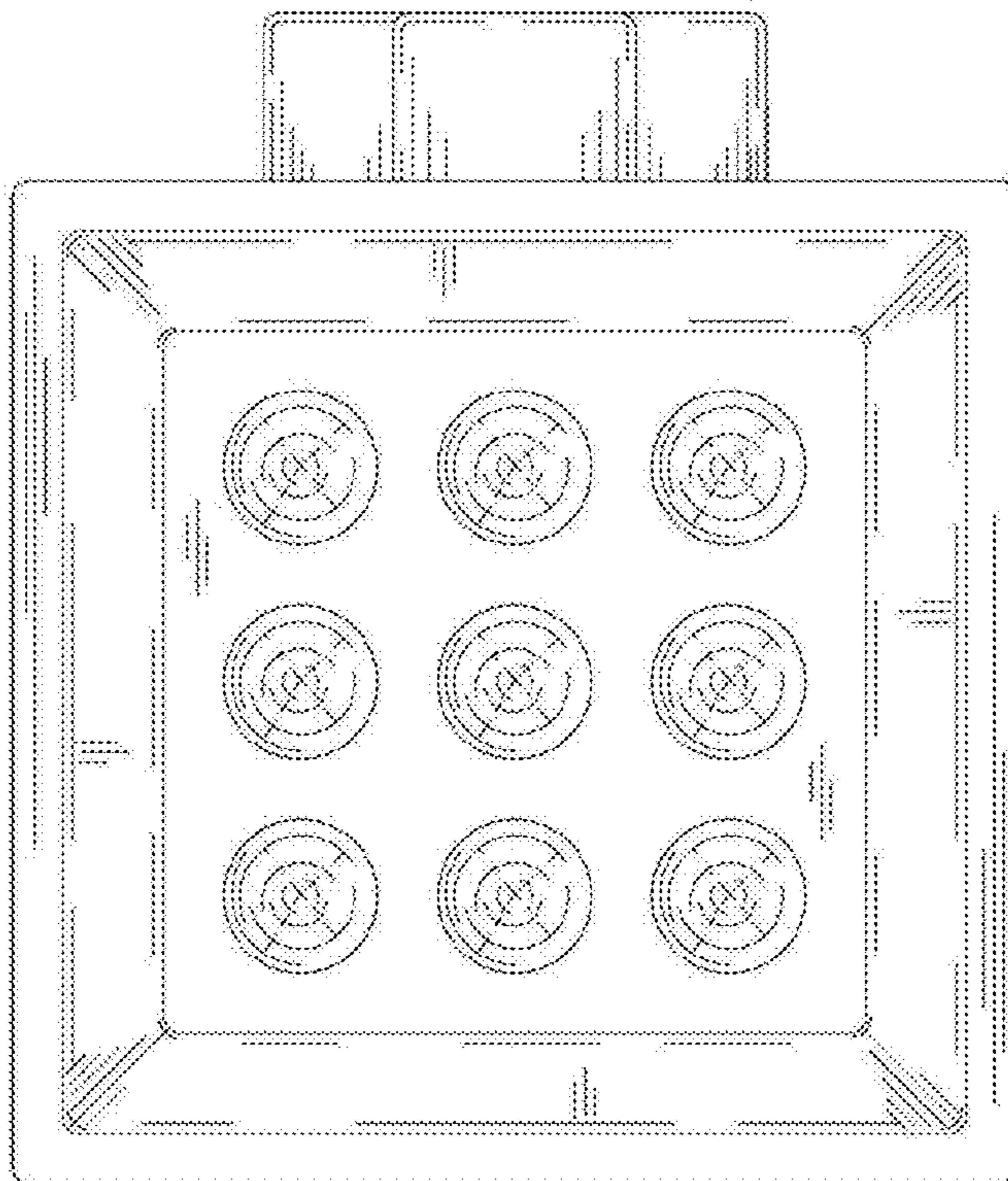


FIG. 60

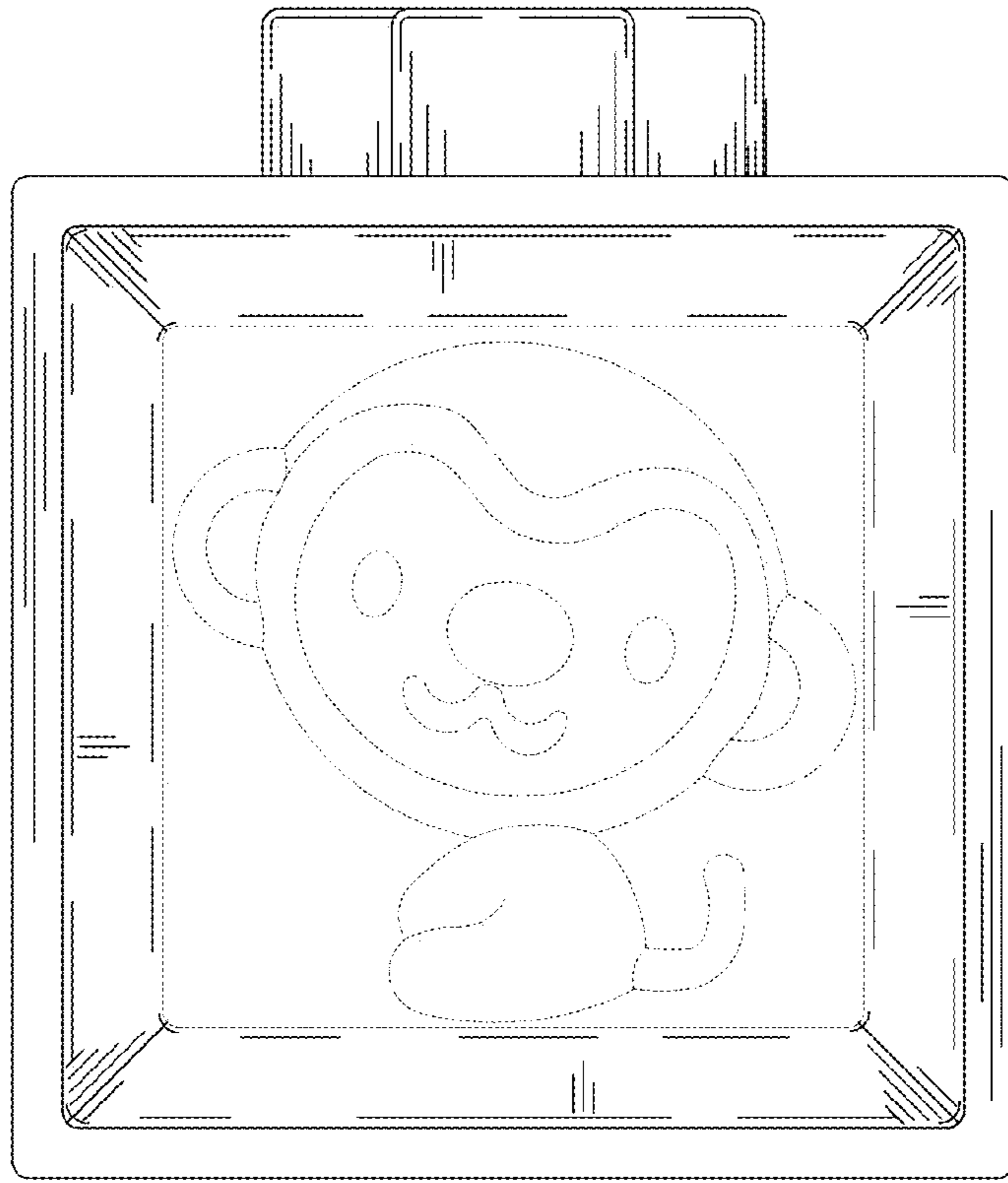


FIG. 61

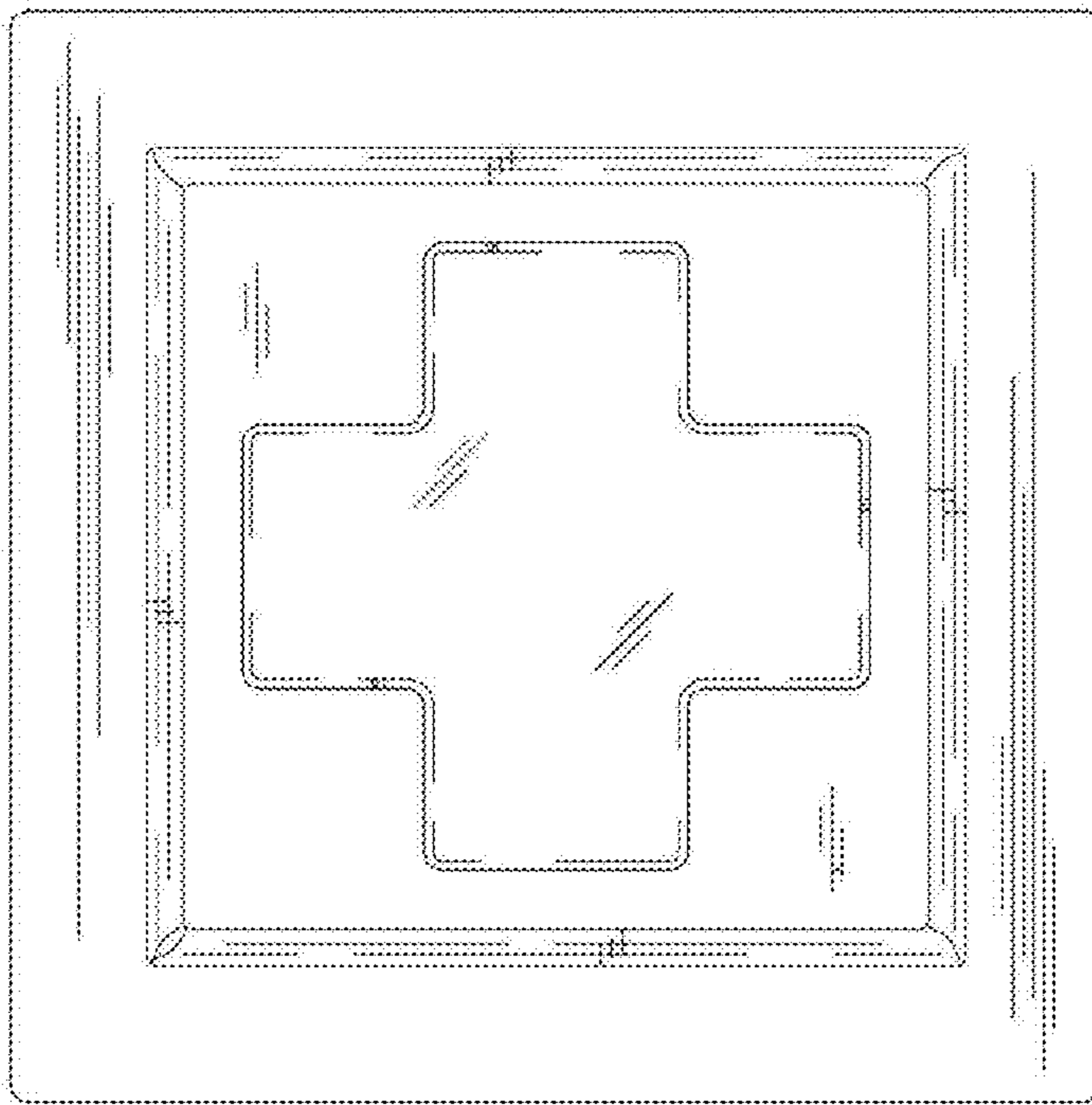


FIG. 62

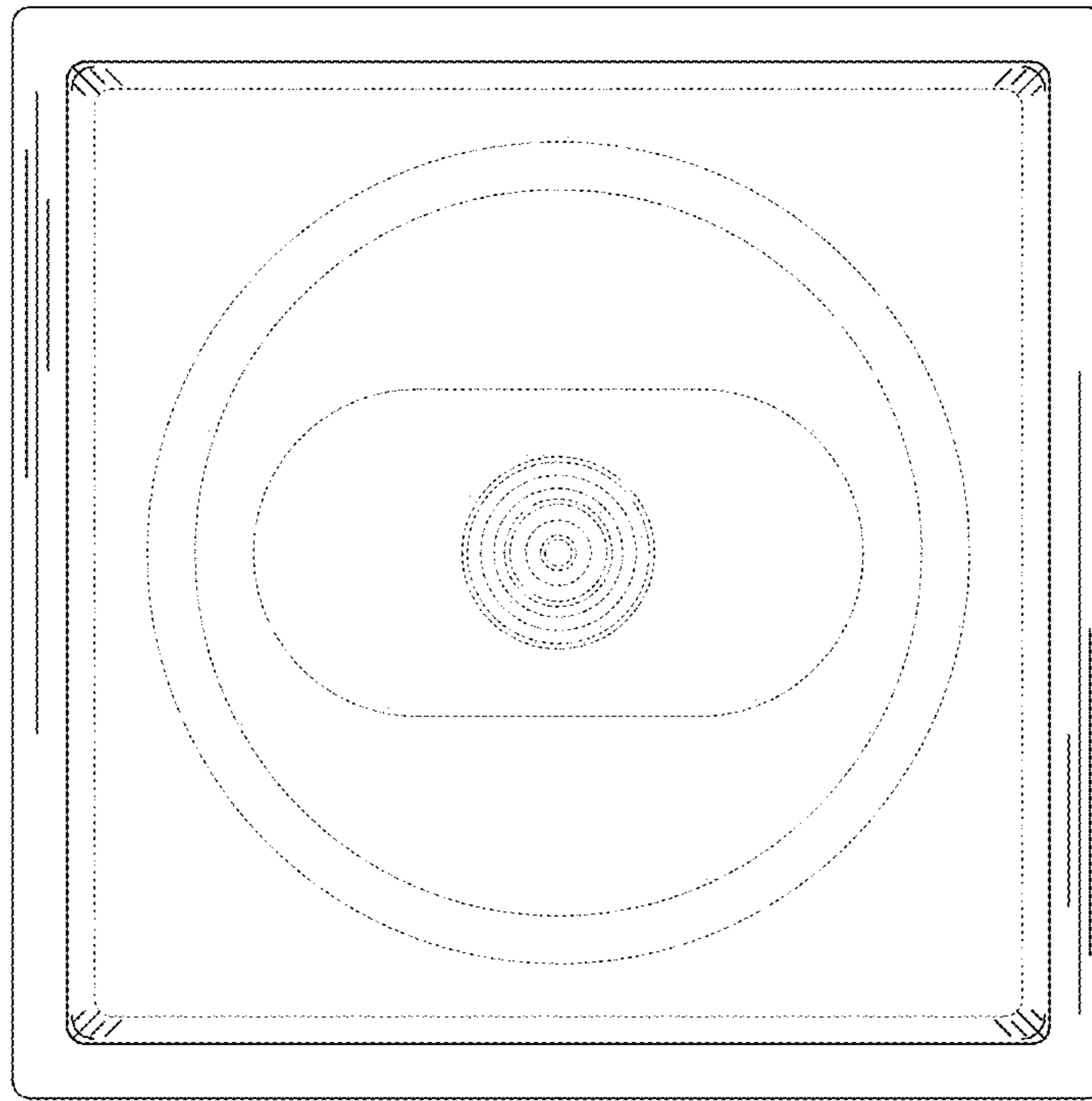


FIG.63

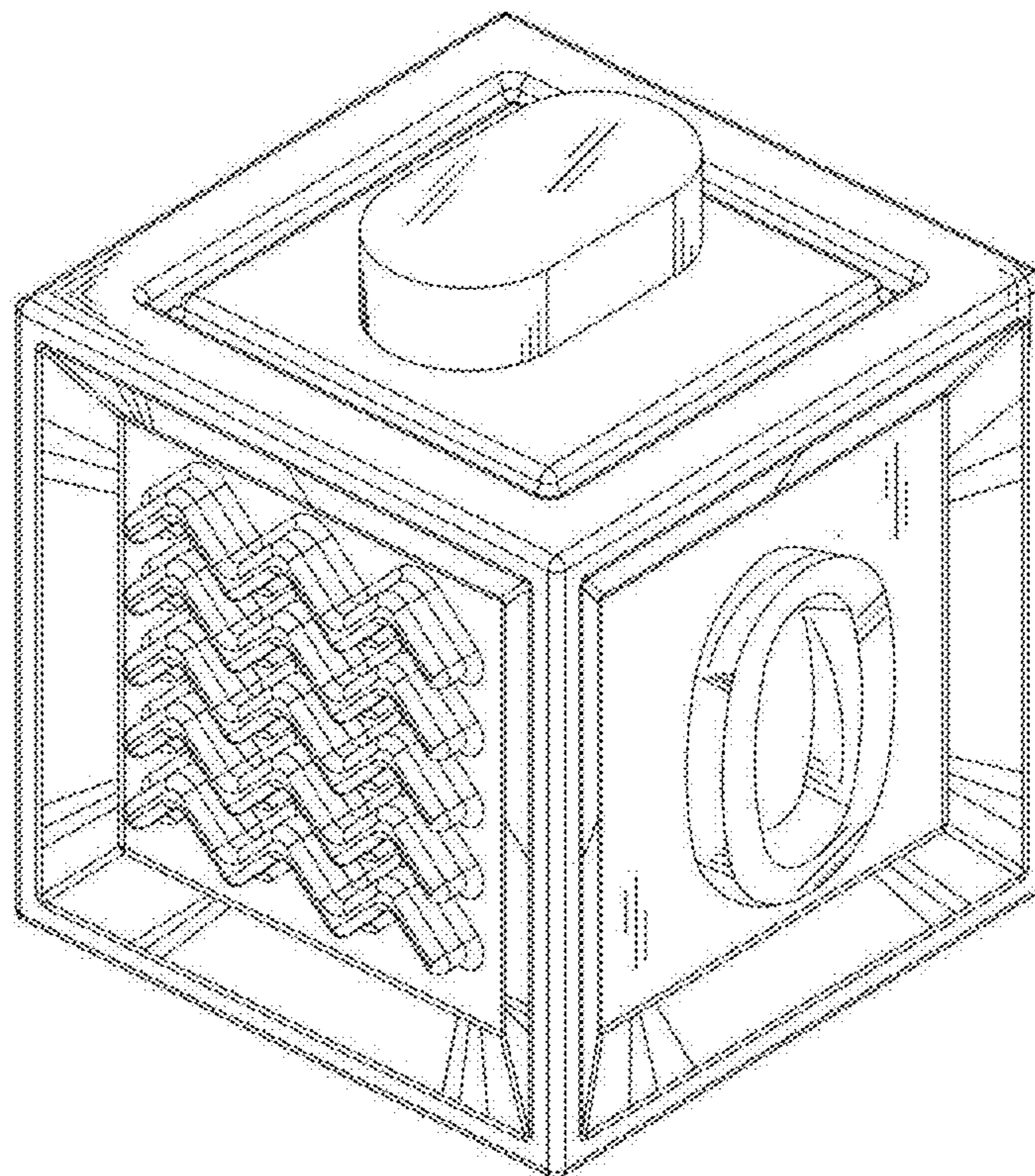


FIG.64

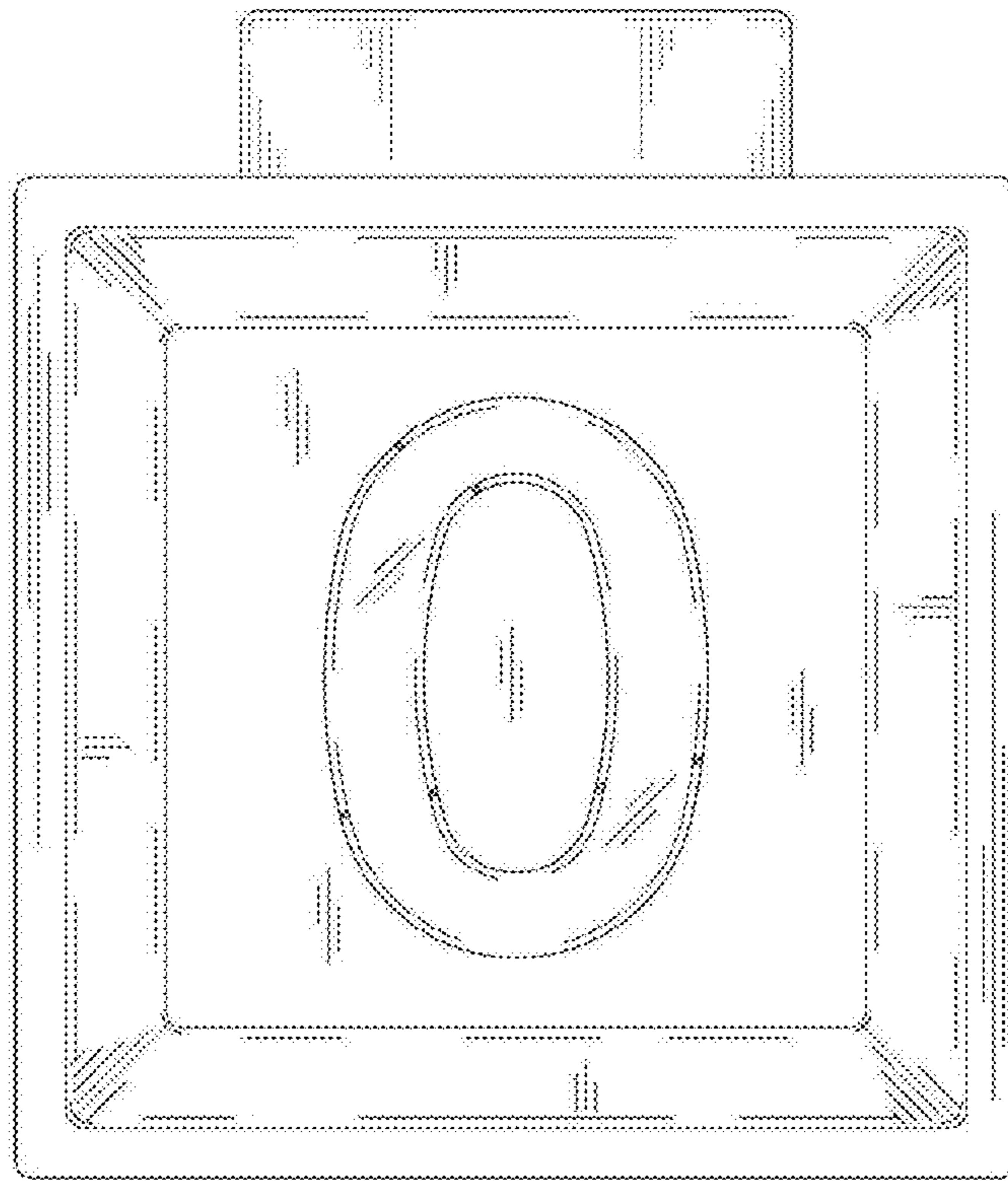


FIG.65

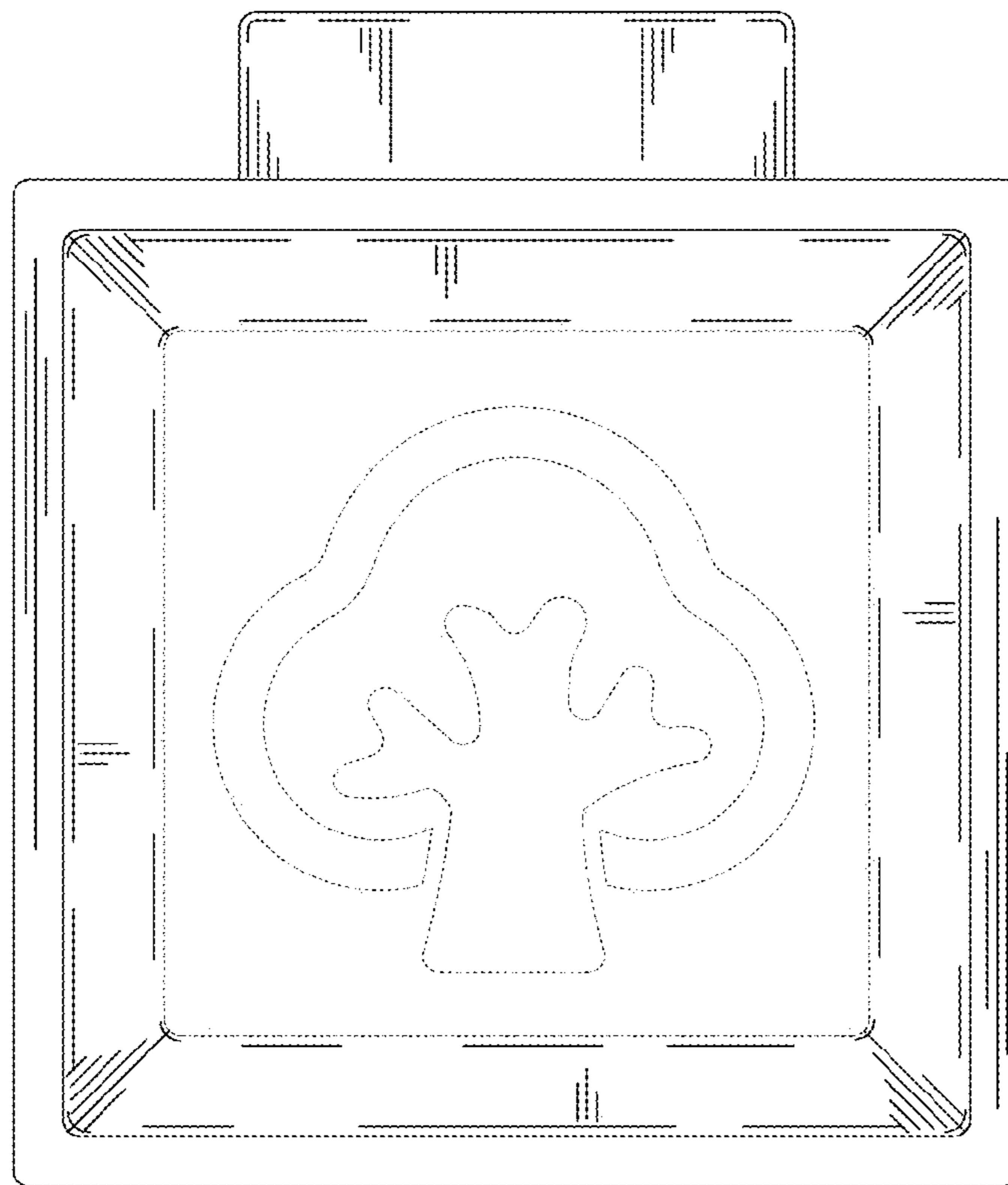


FIG.66

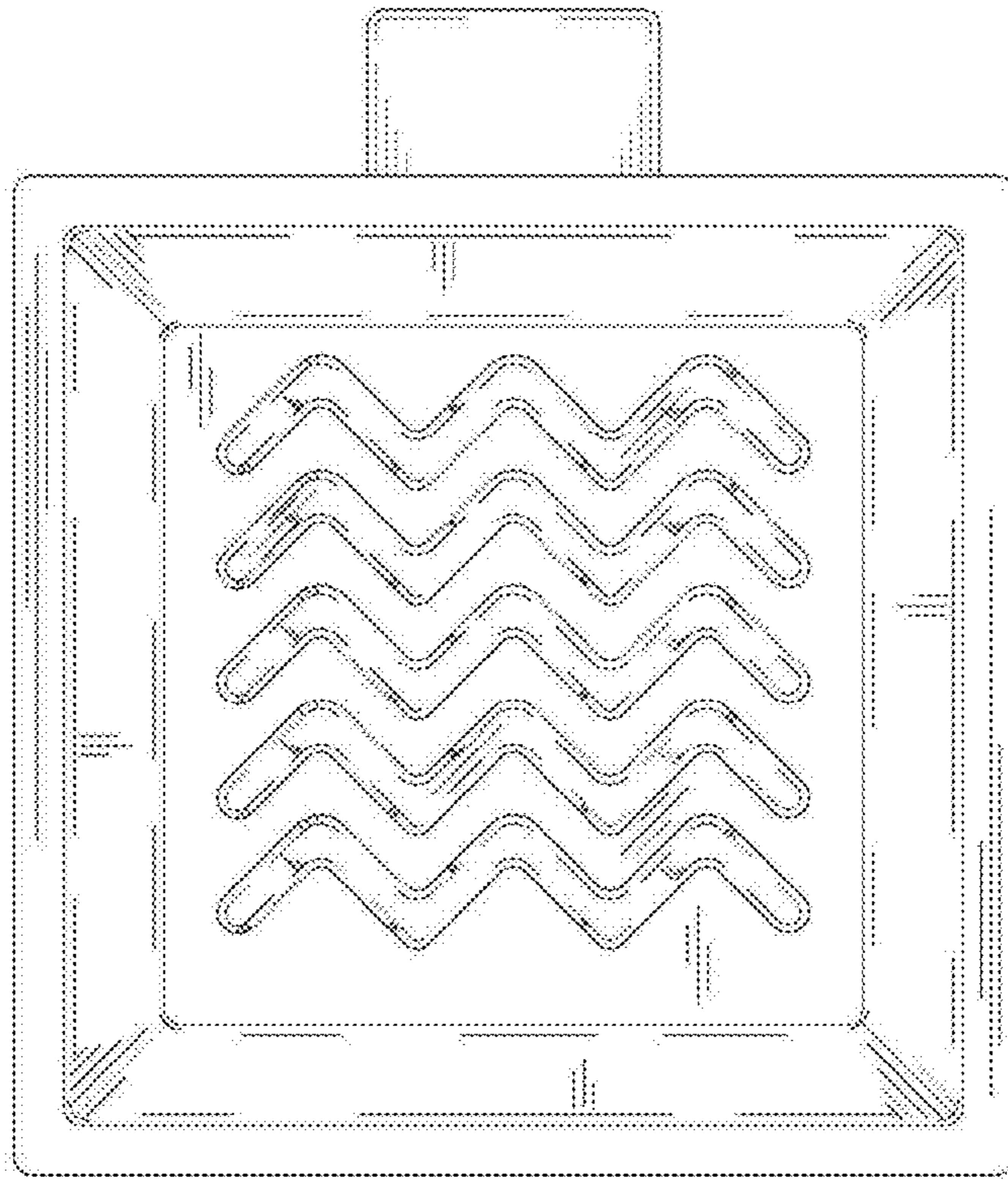


FIG. 67

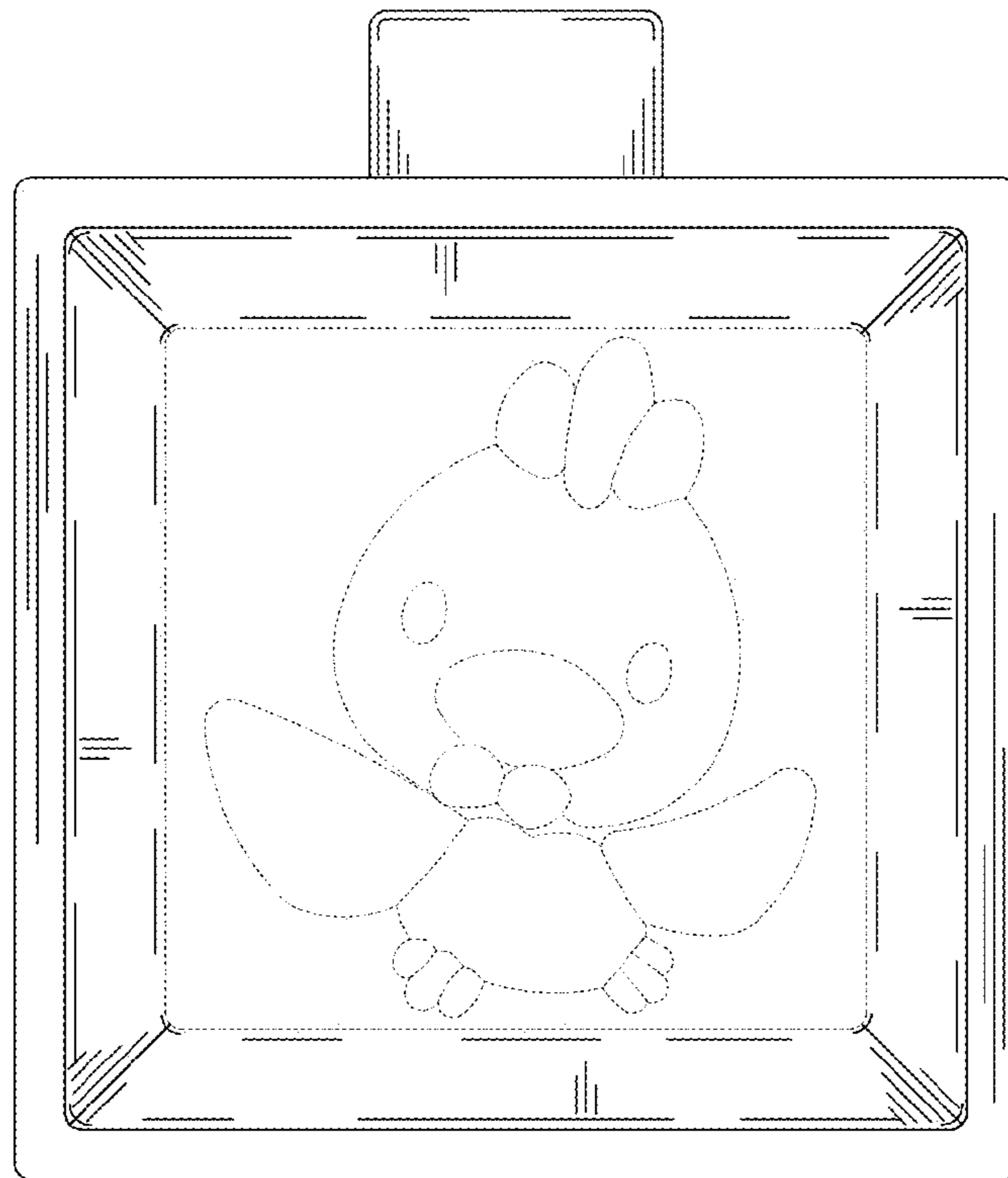


FIG. 68

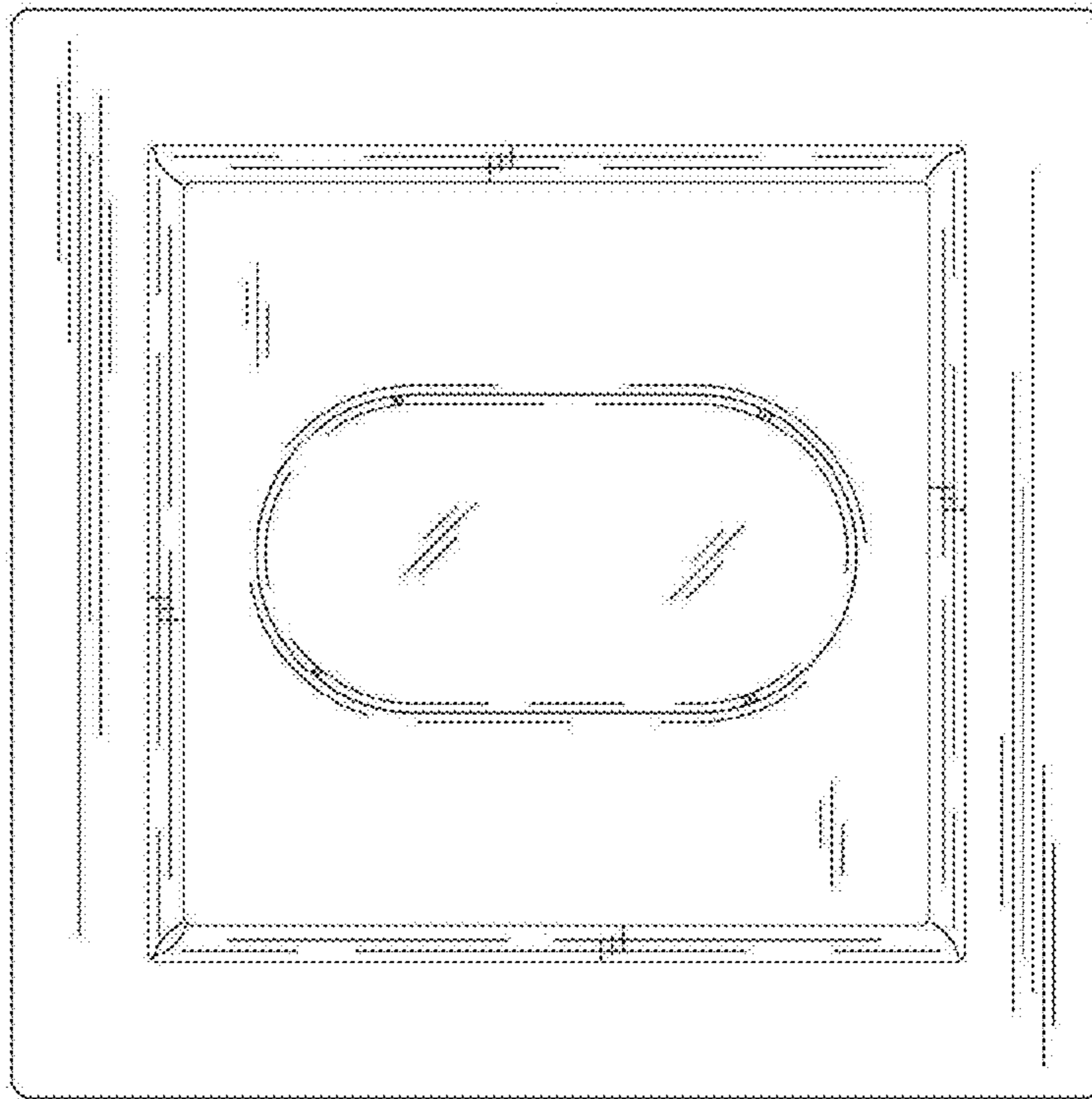


FIG.69

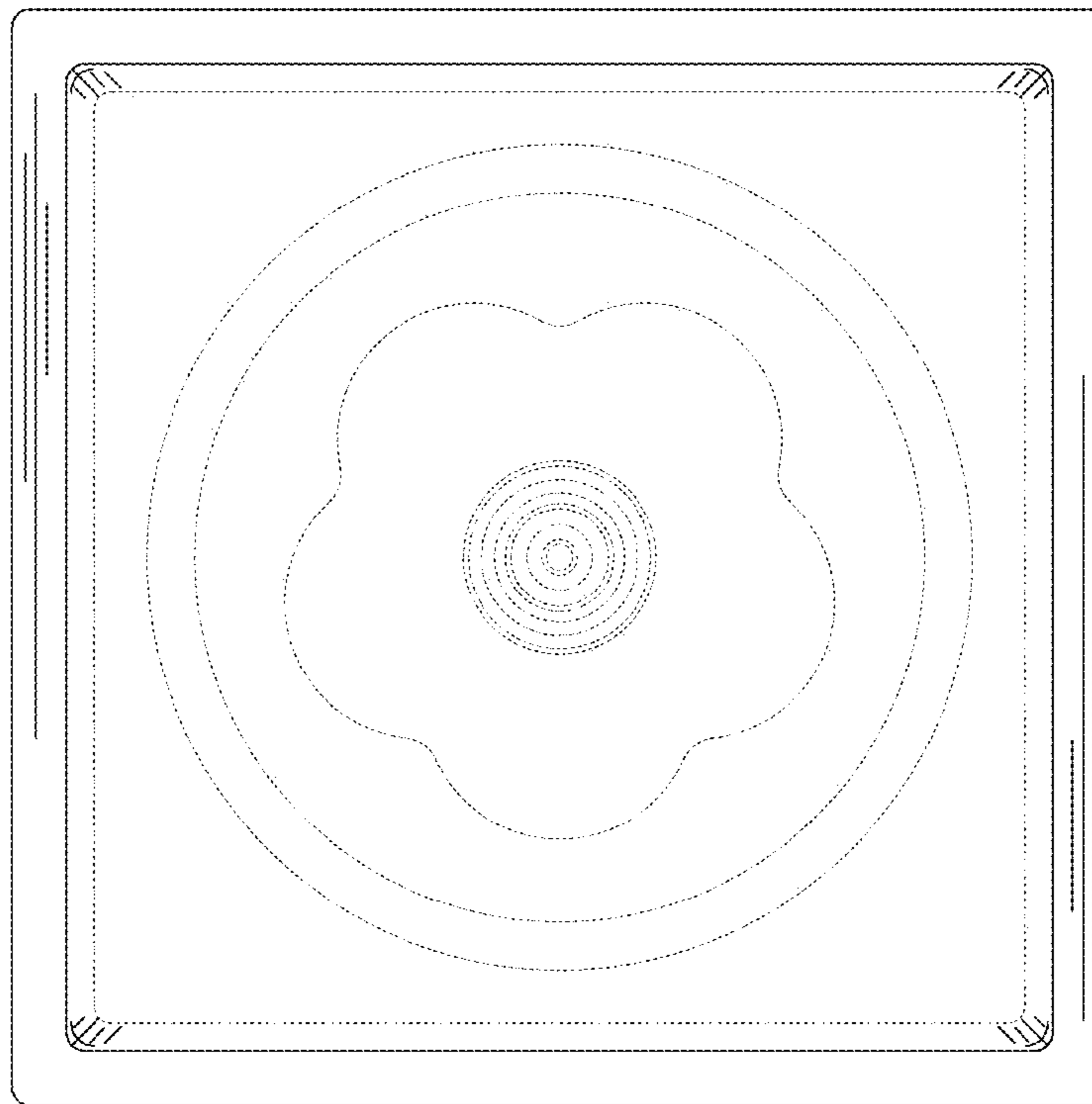


FIG.70

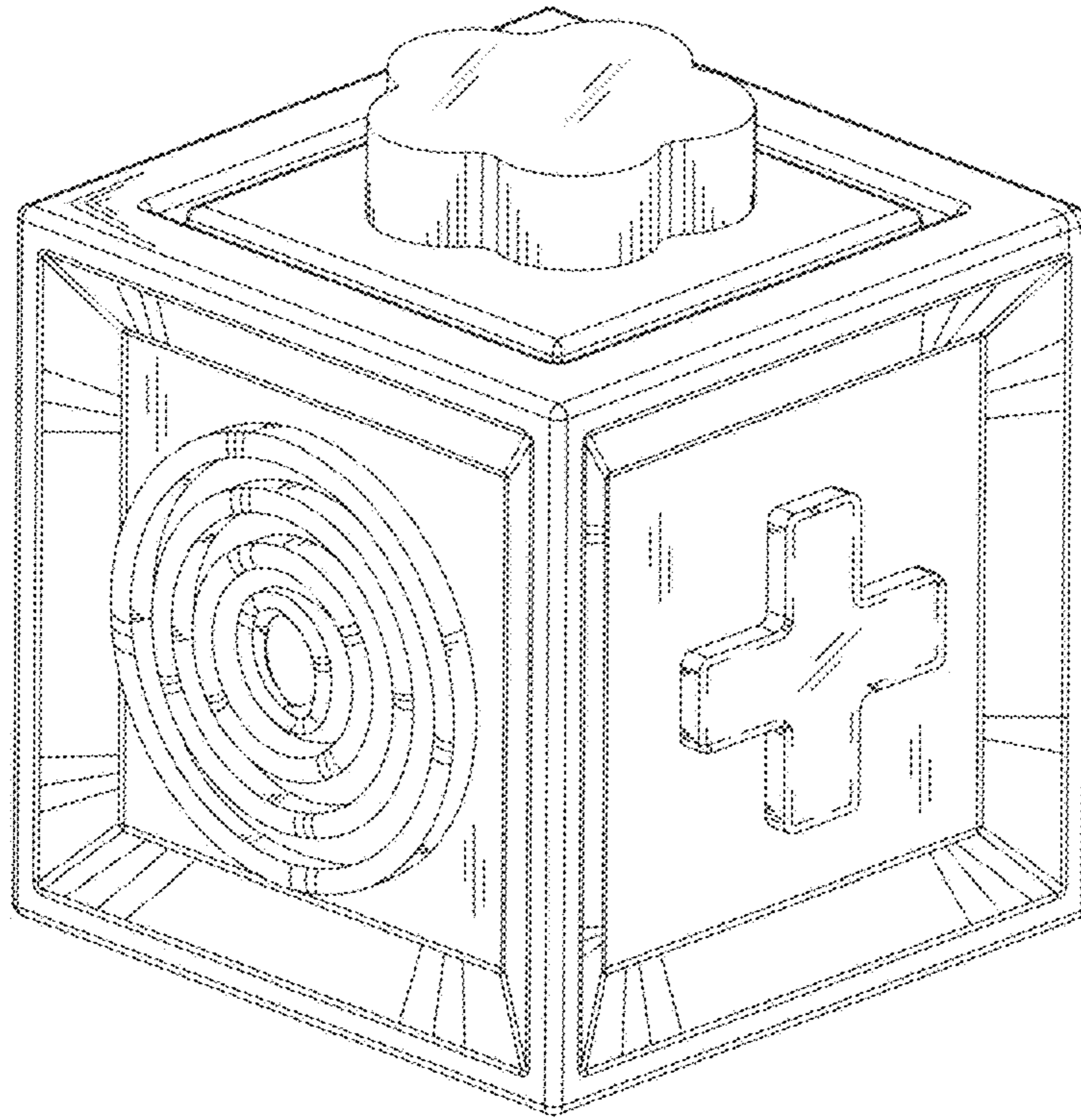


FIG. 71

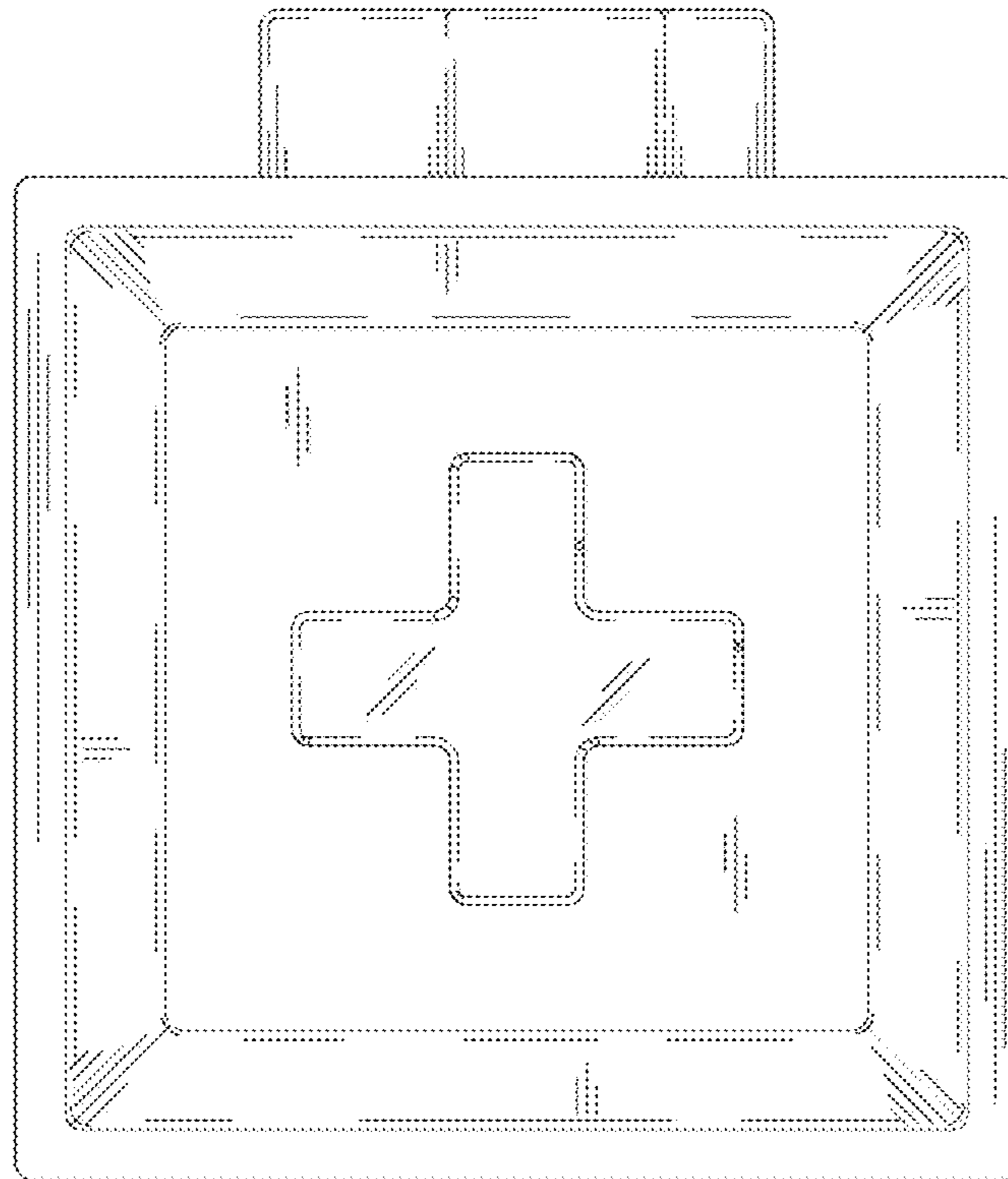


FIG. 72

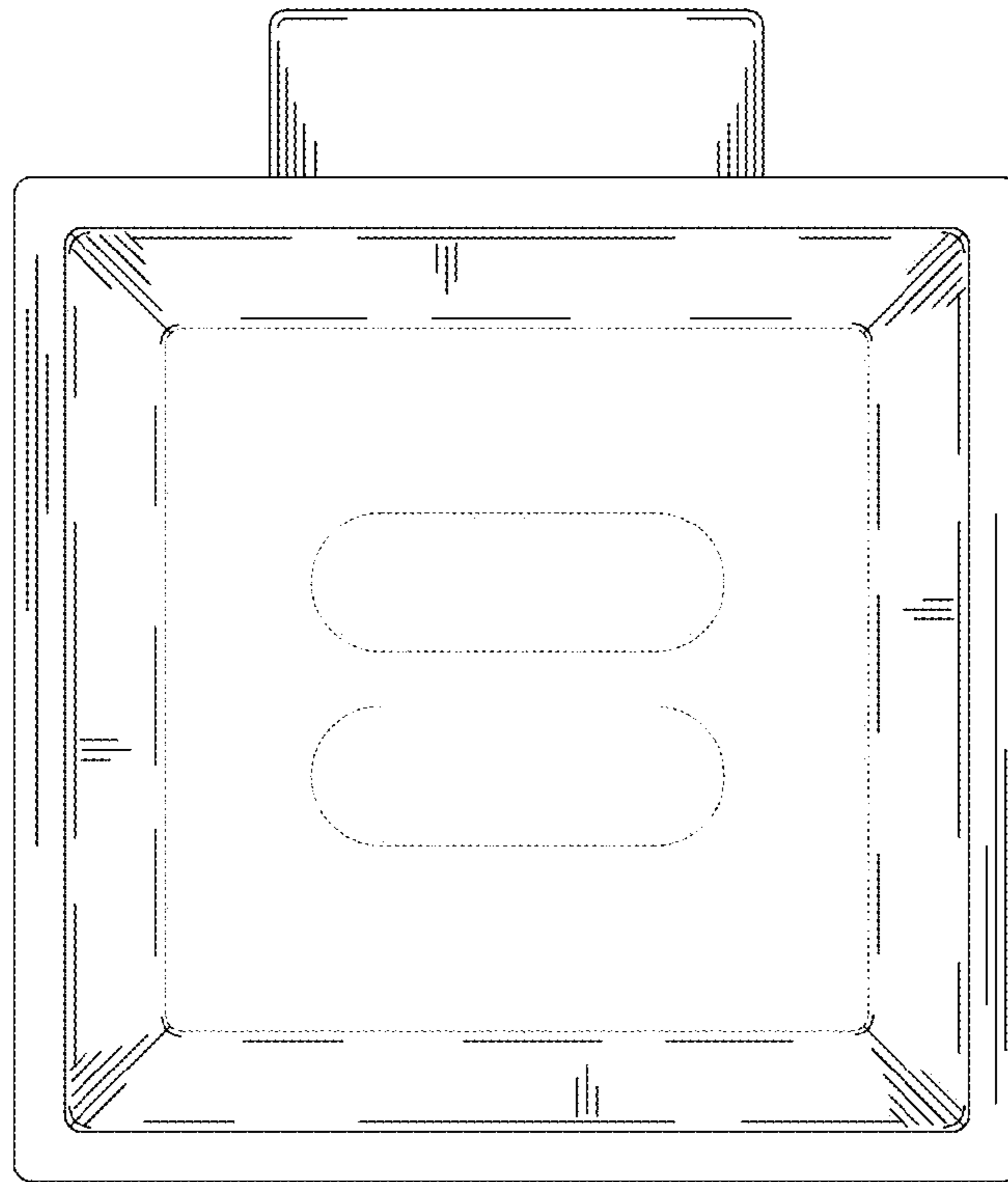


FIG. 73

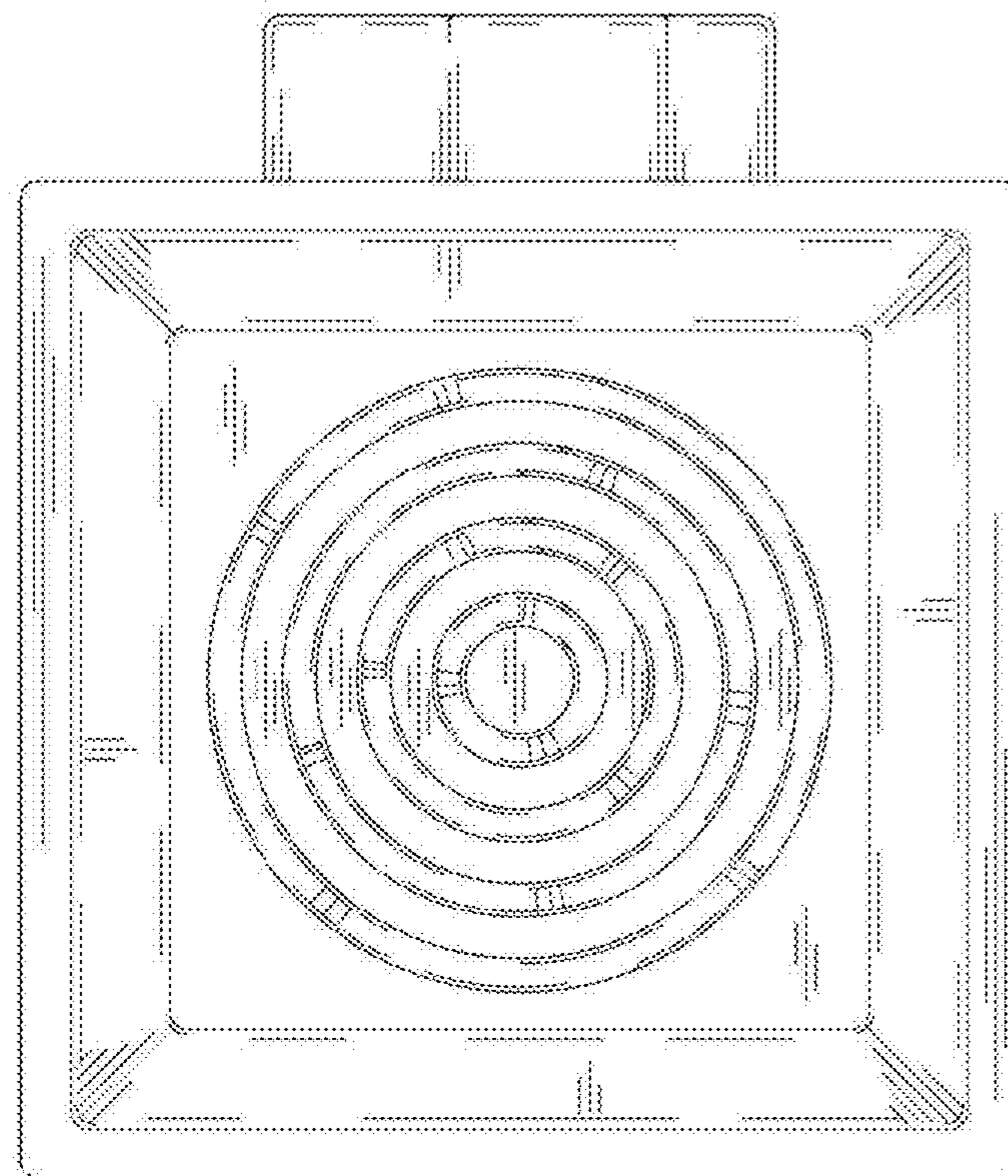


FIG. 74

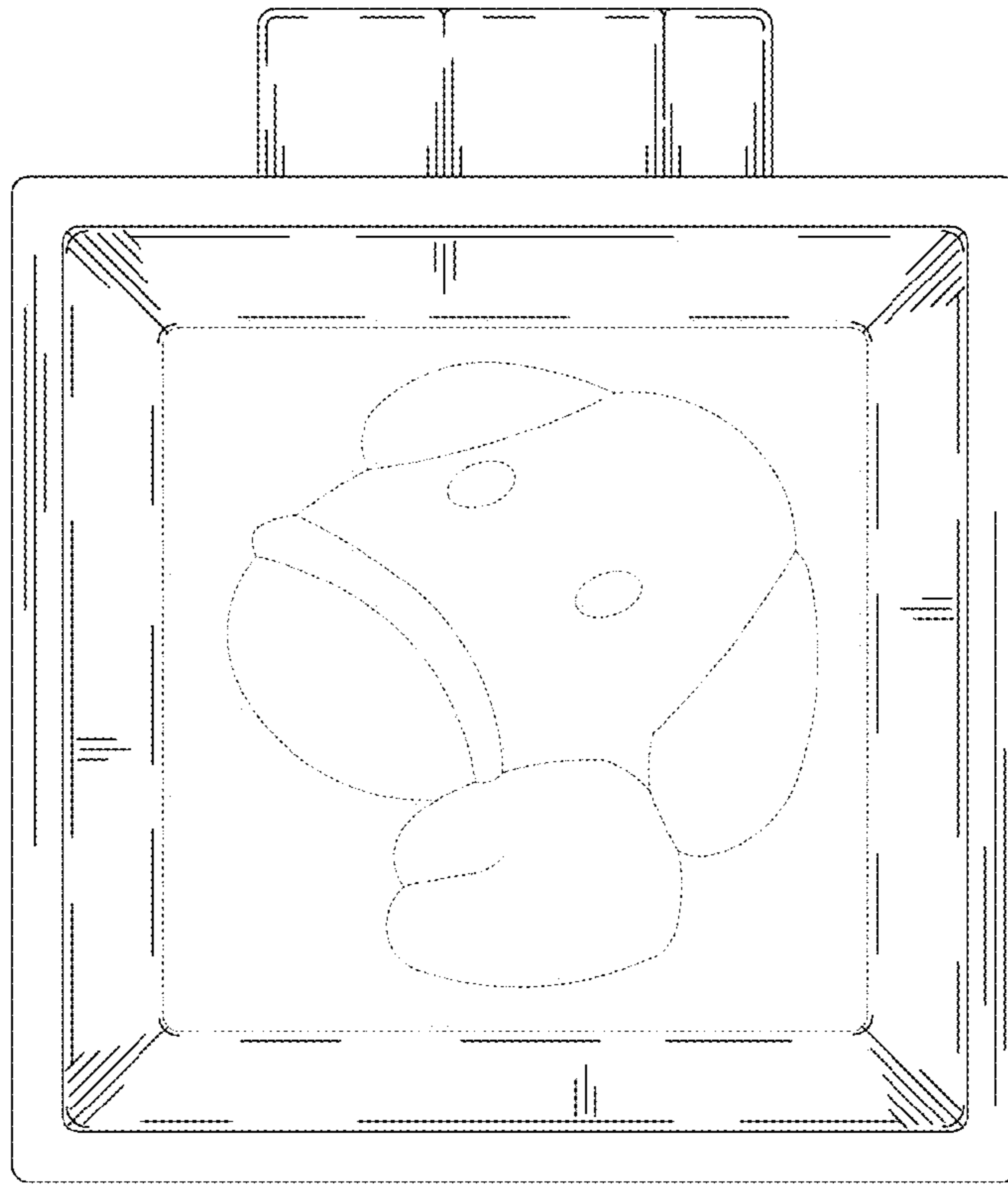


FIG.75

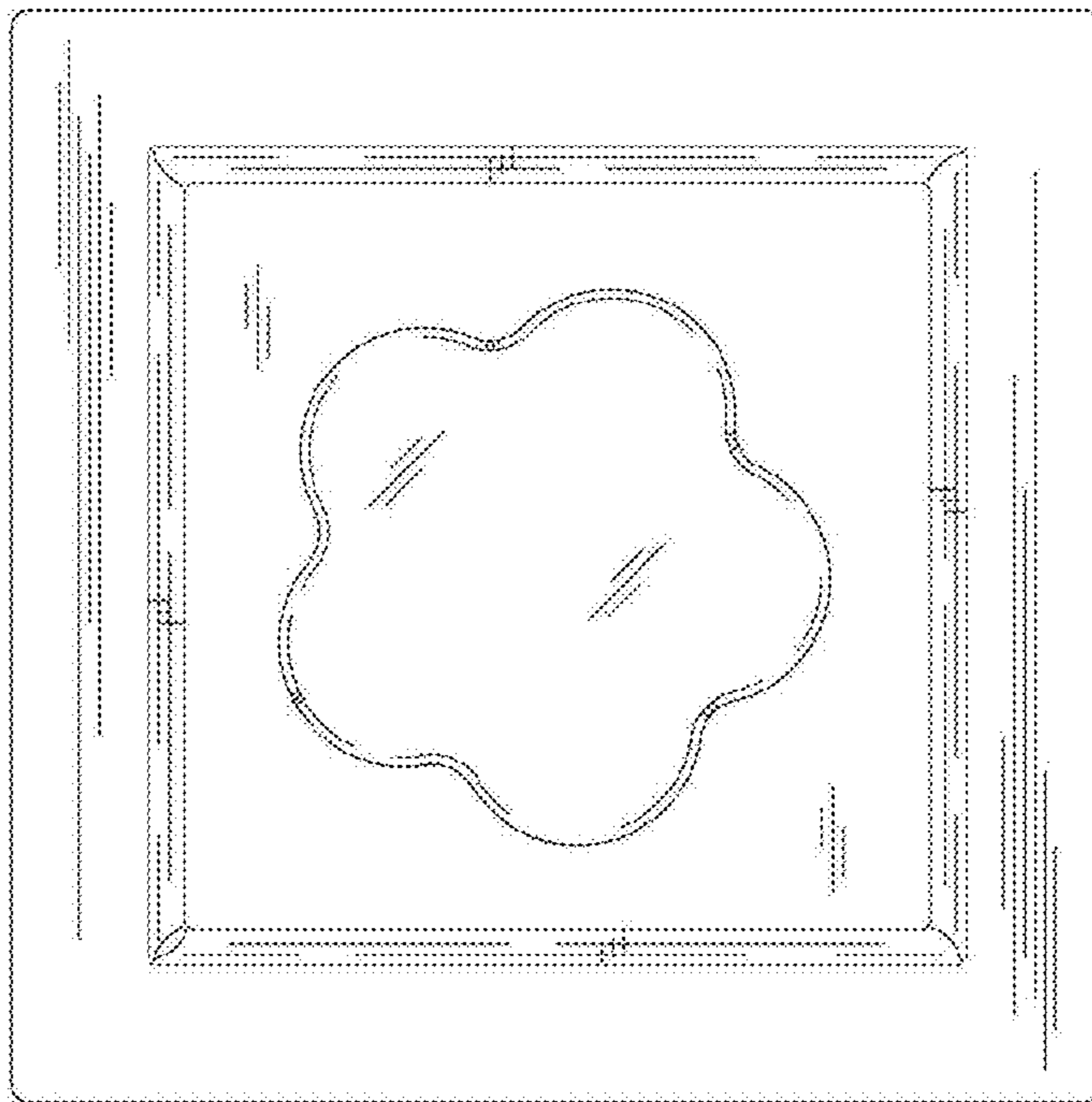


FIG.76

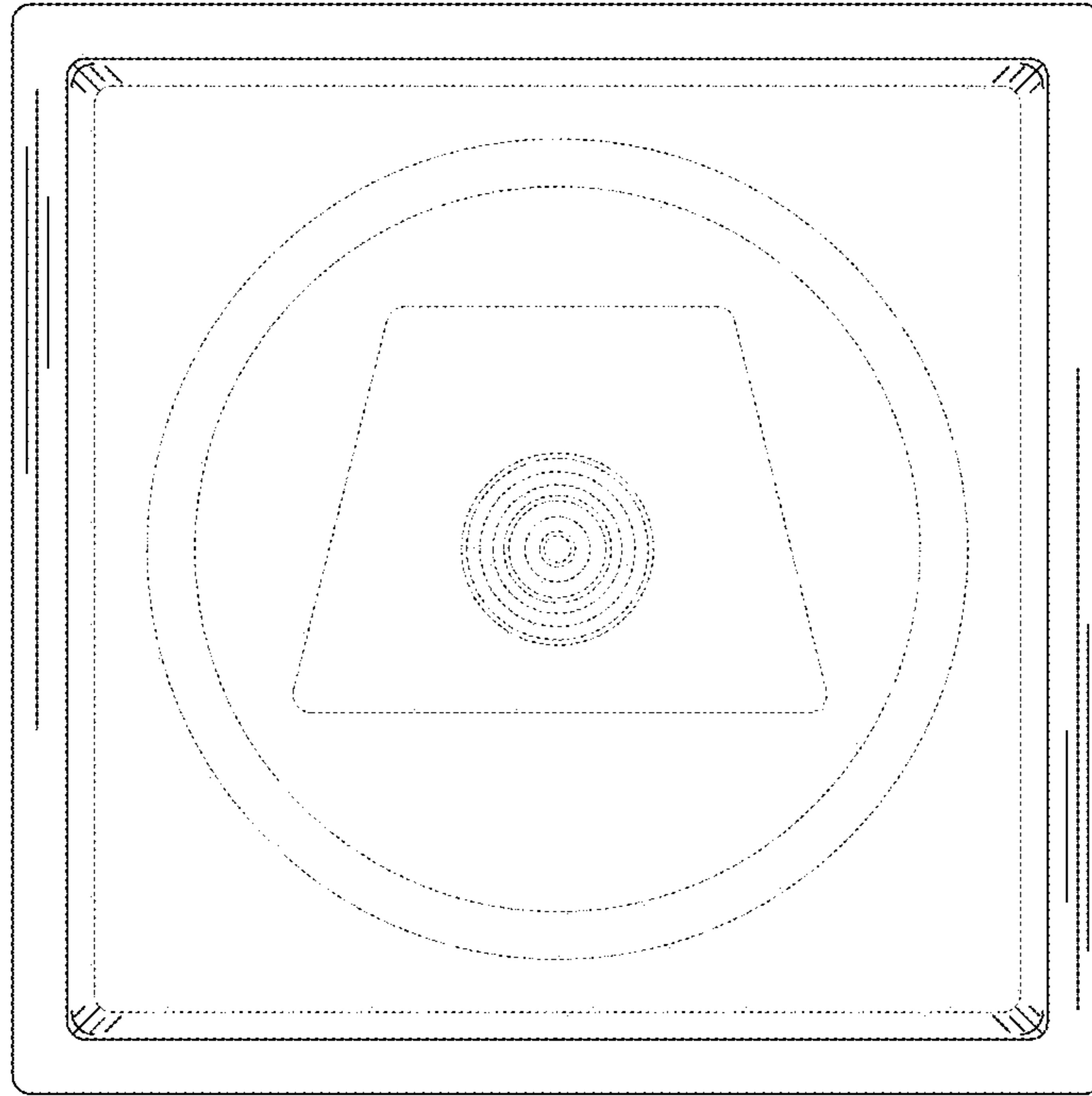


FIG. 77

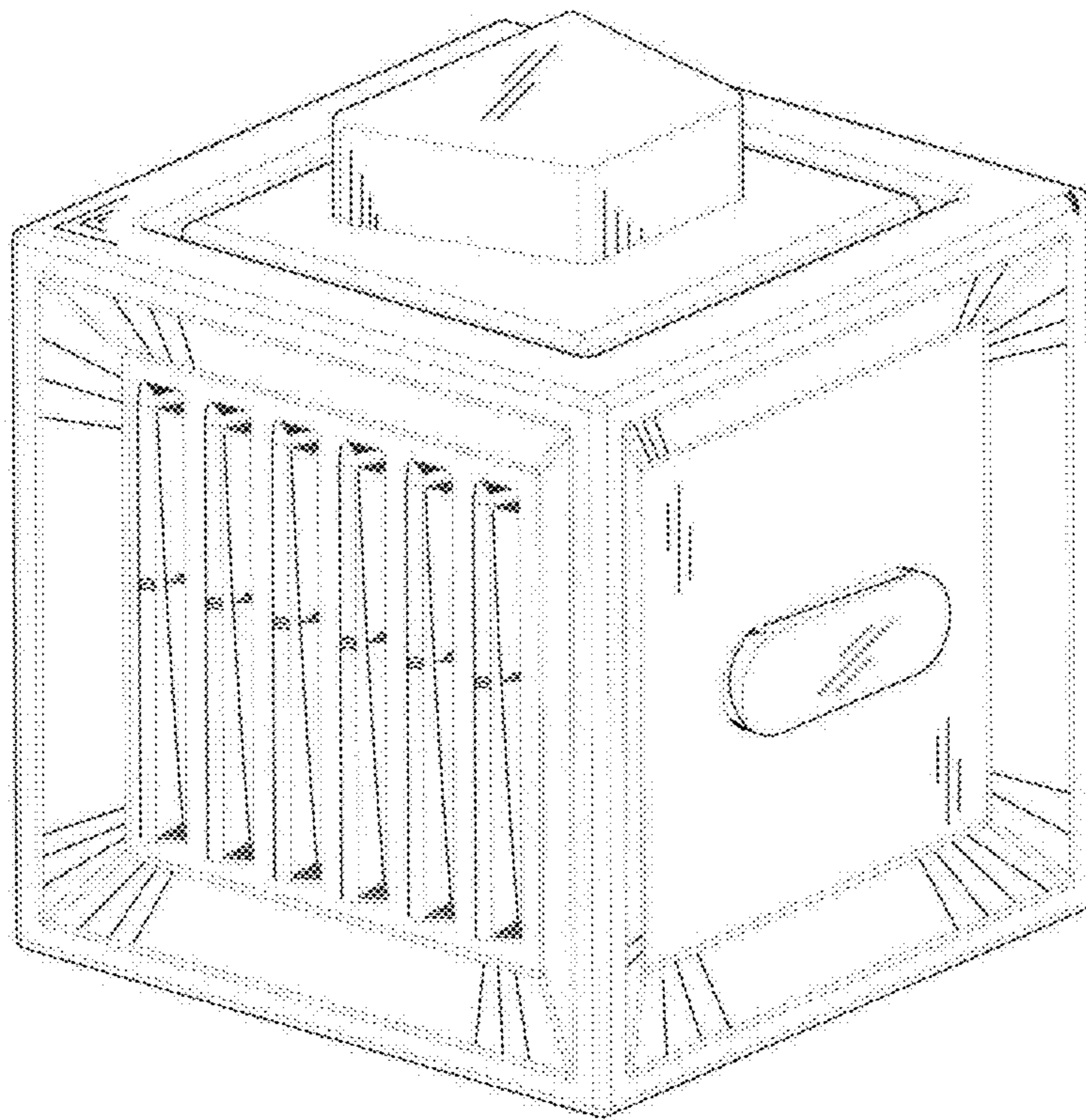


FIG. 78

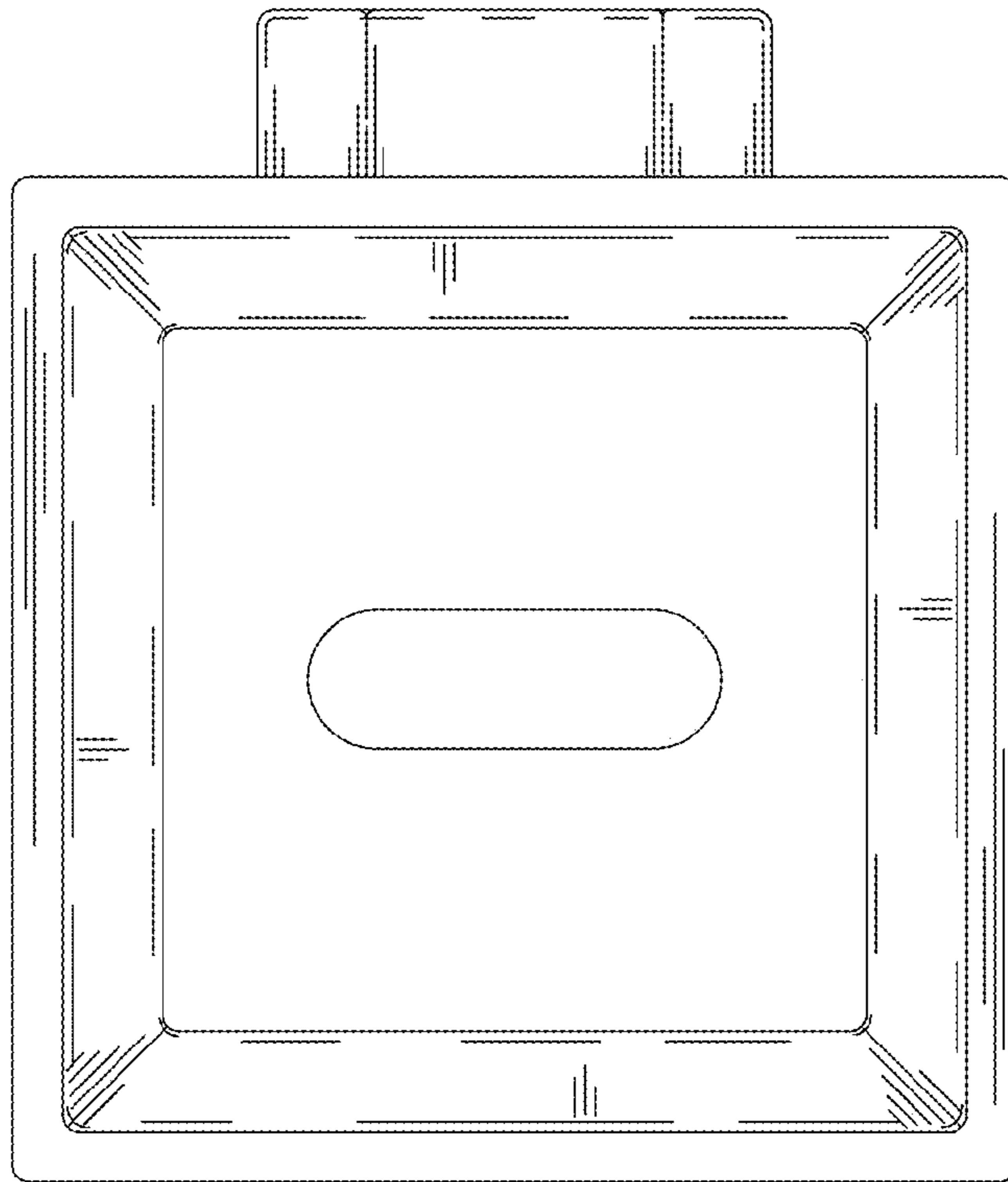


FIG.79

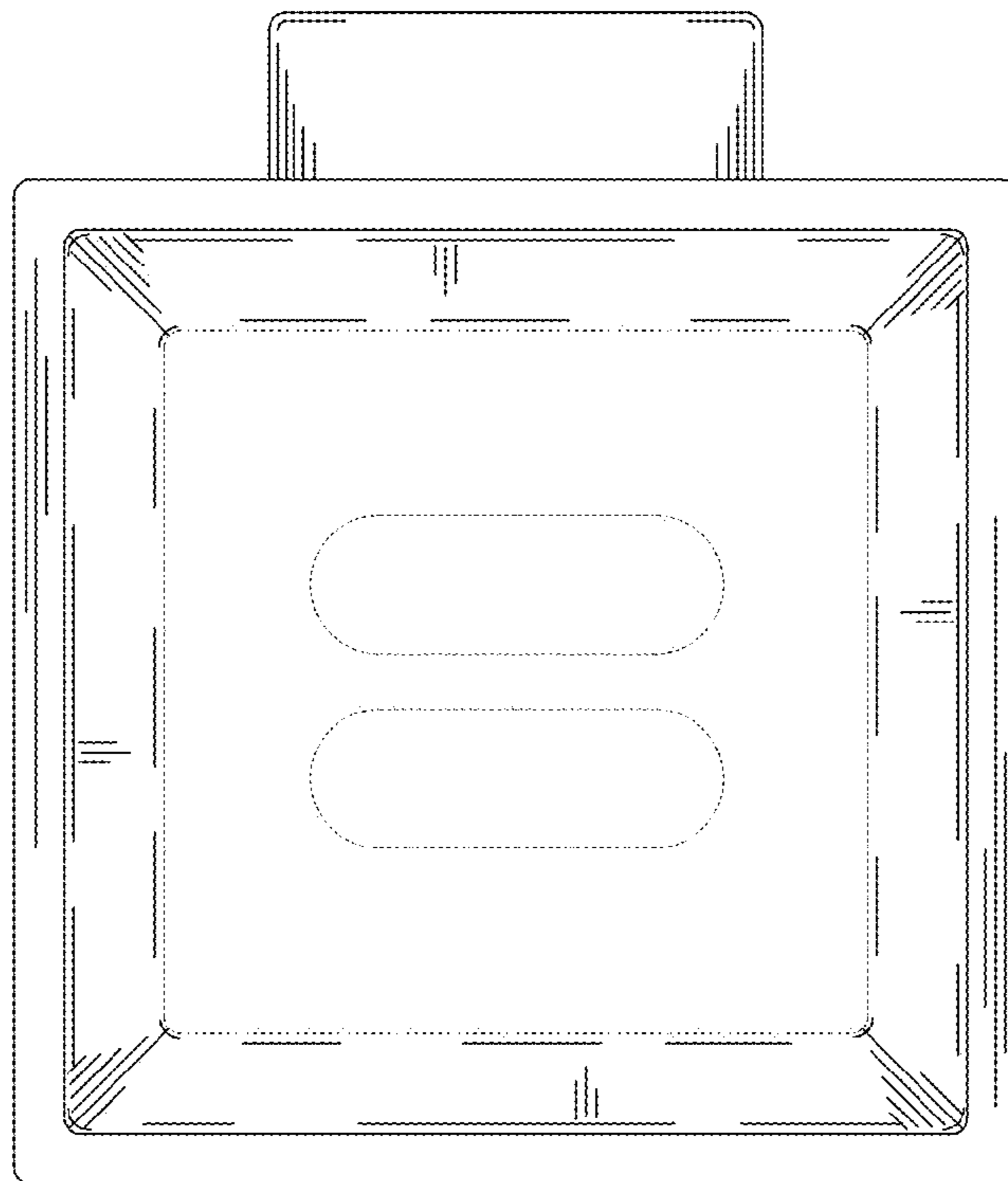


FIG.80

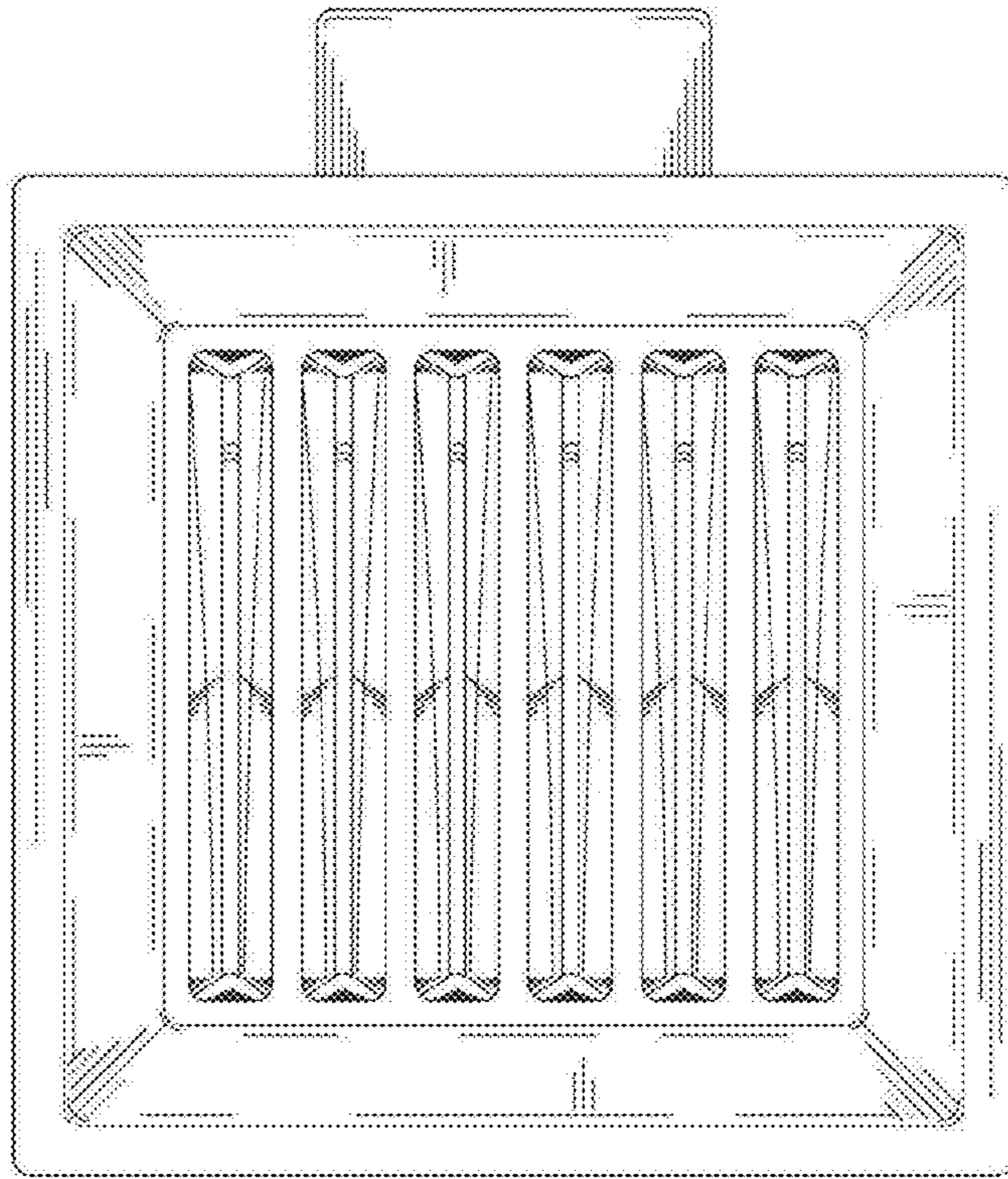


FIG. 81

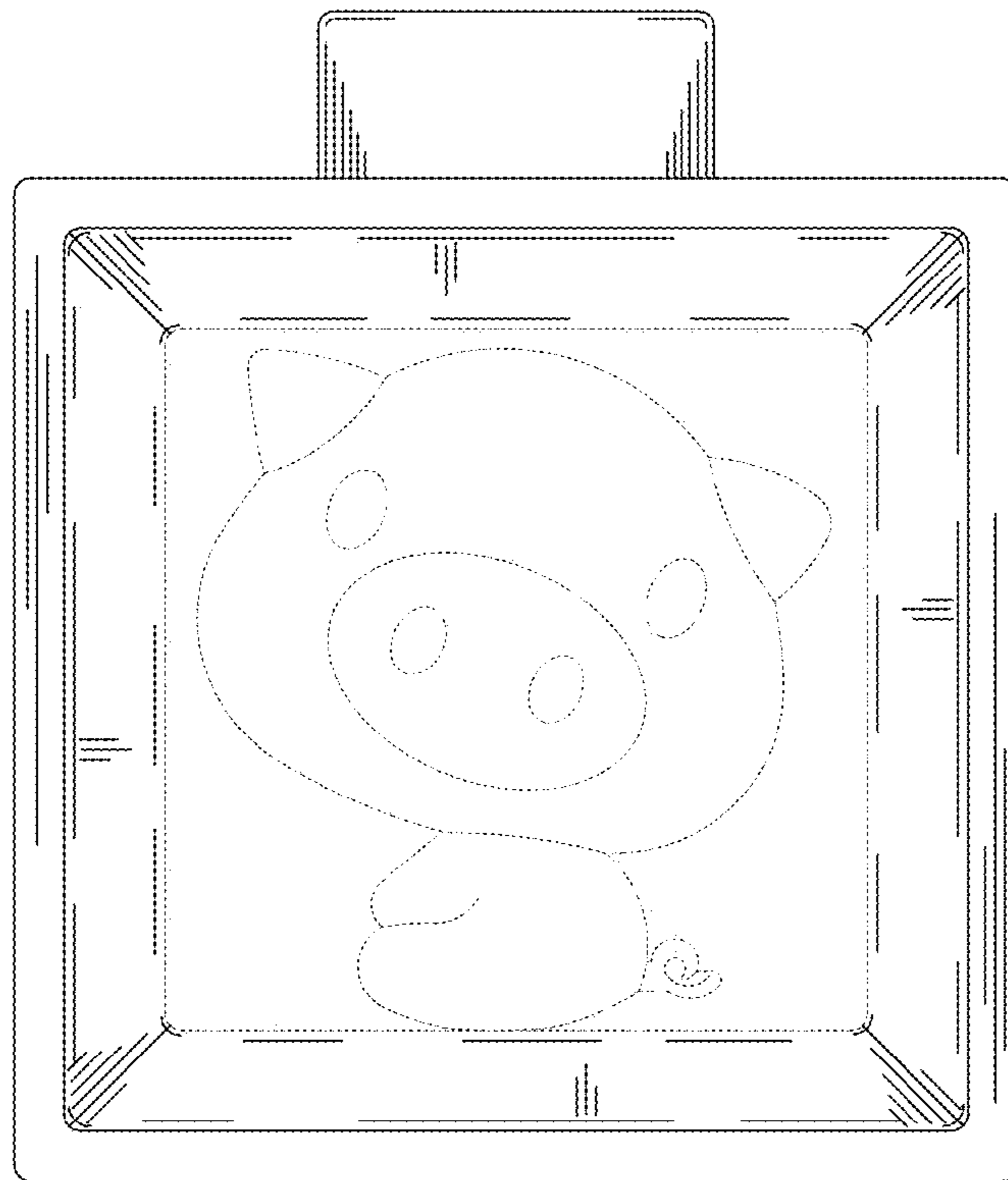


FIG. 82

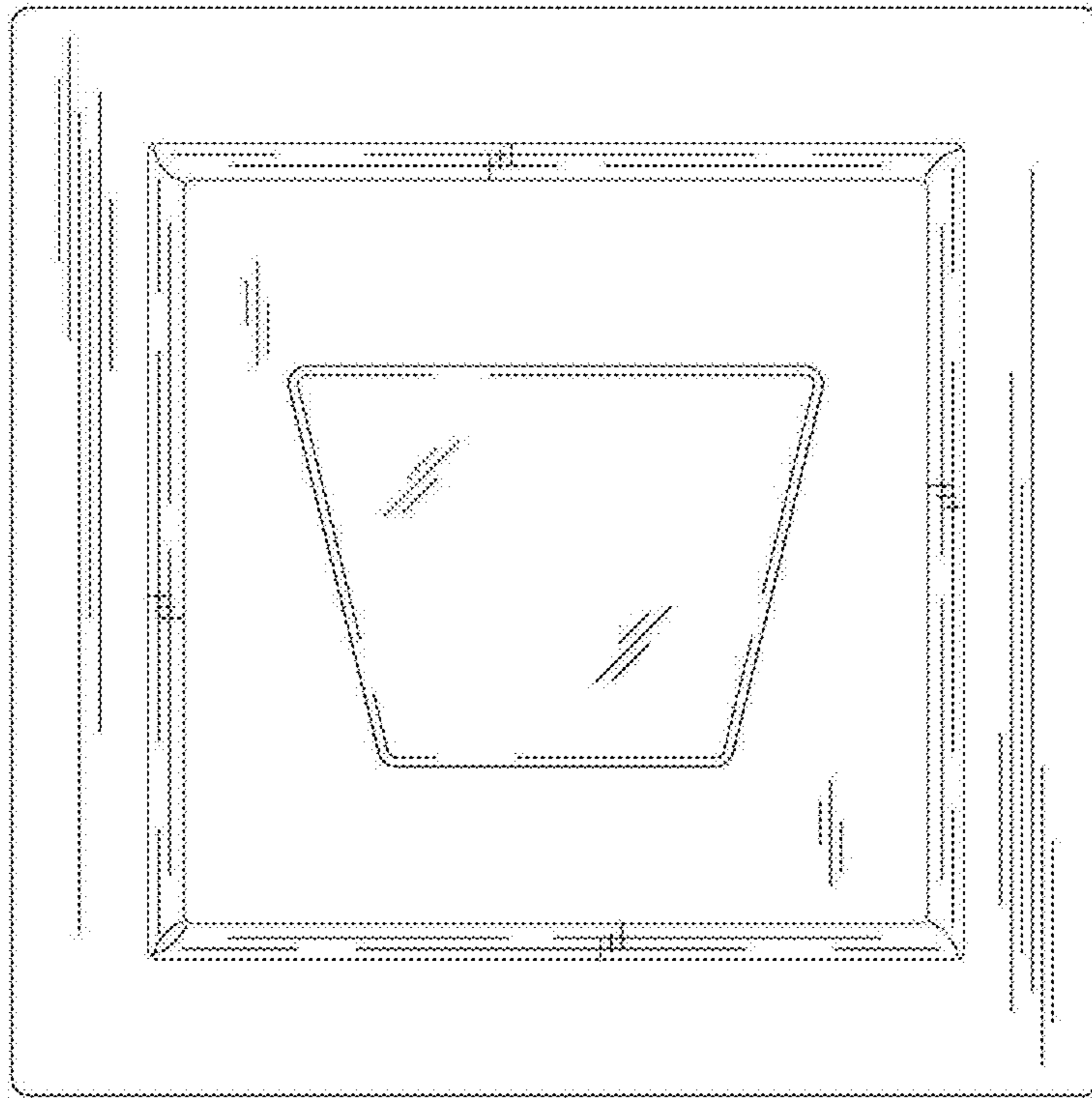


FIG. 83

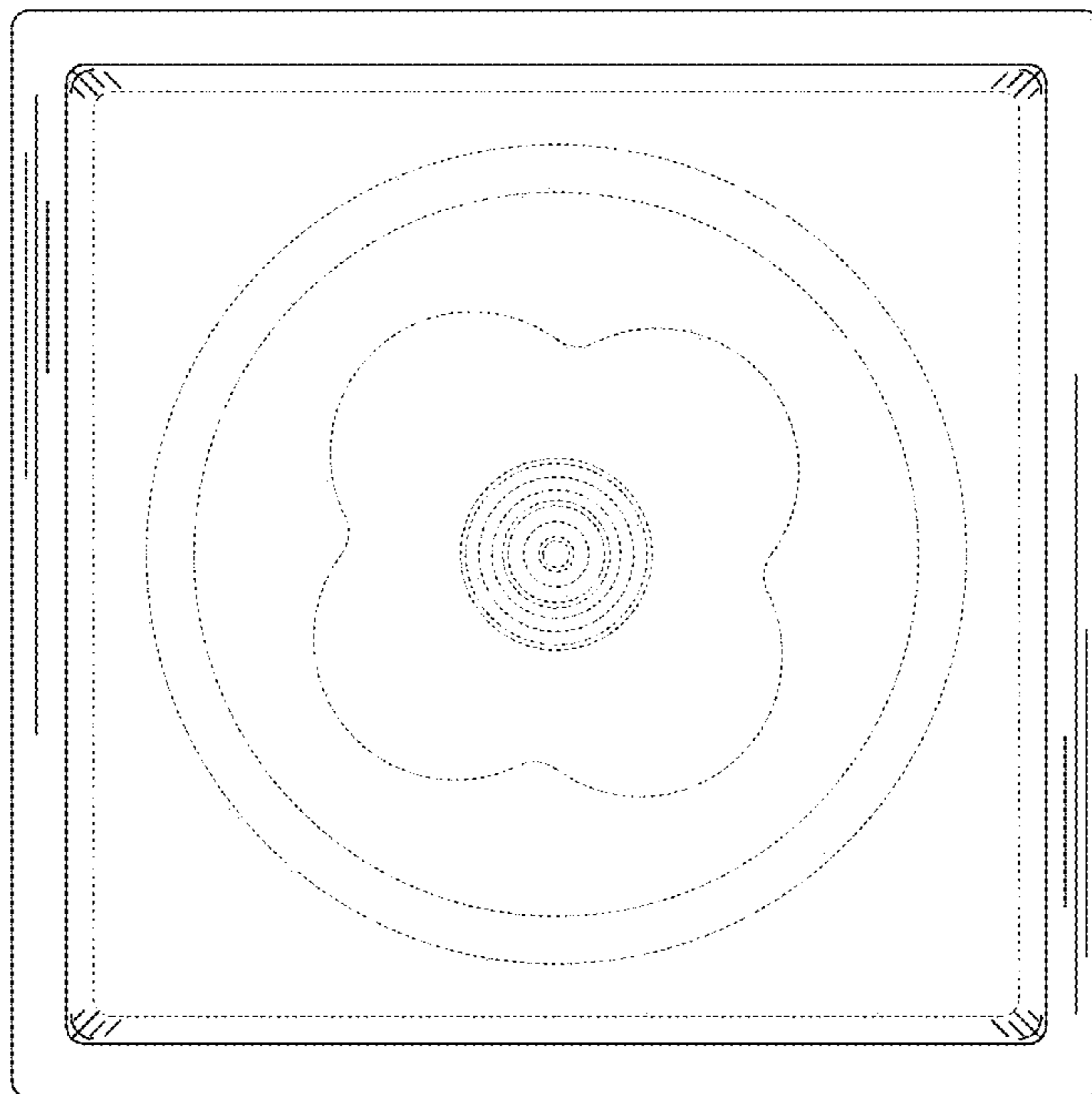


FIG. 84

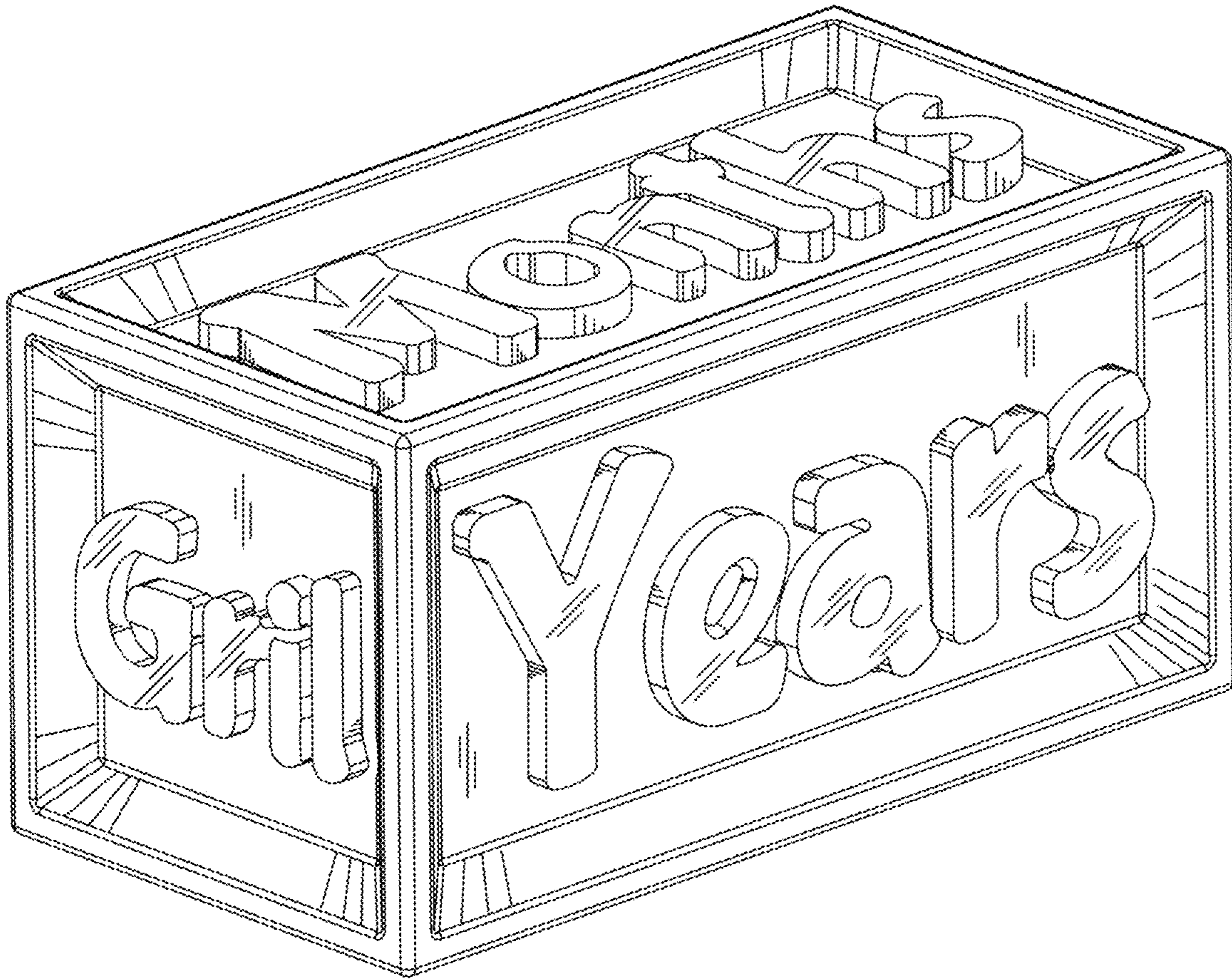


FIG. 85

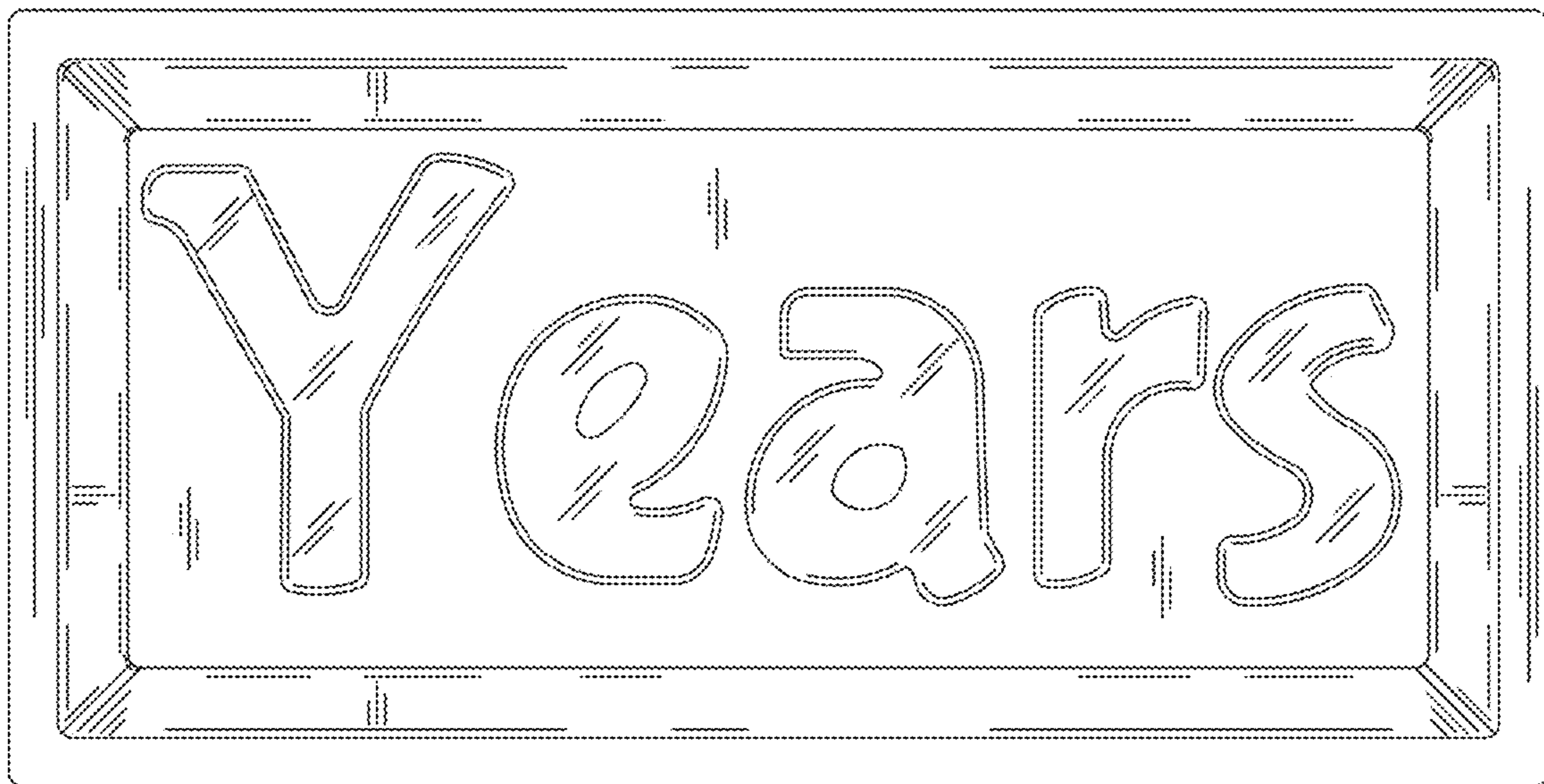


FIG. 86

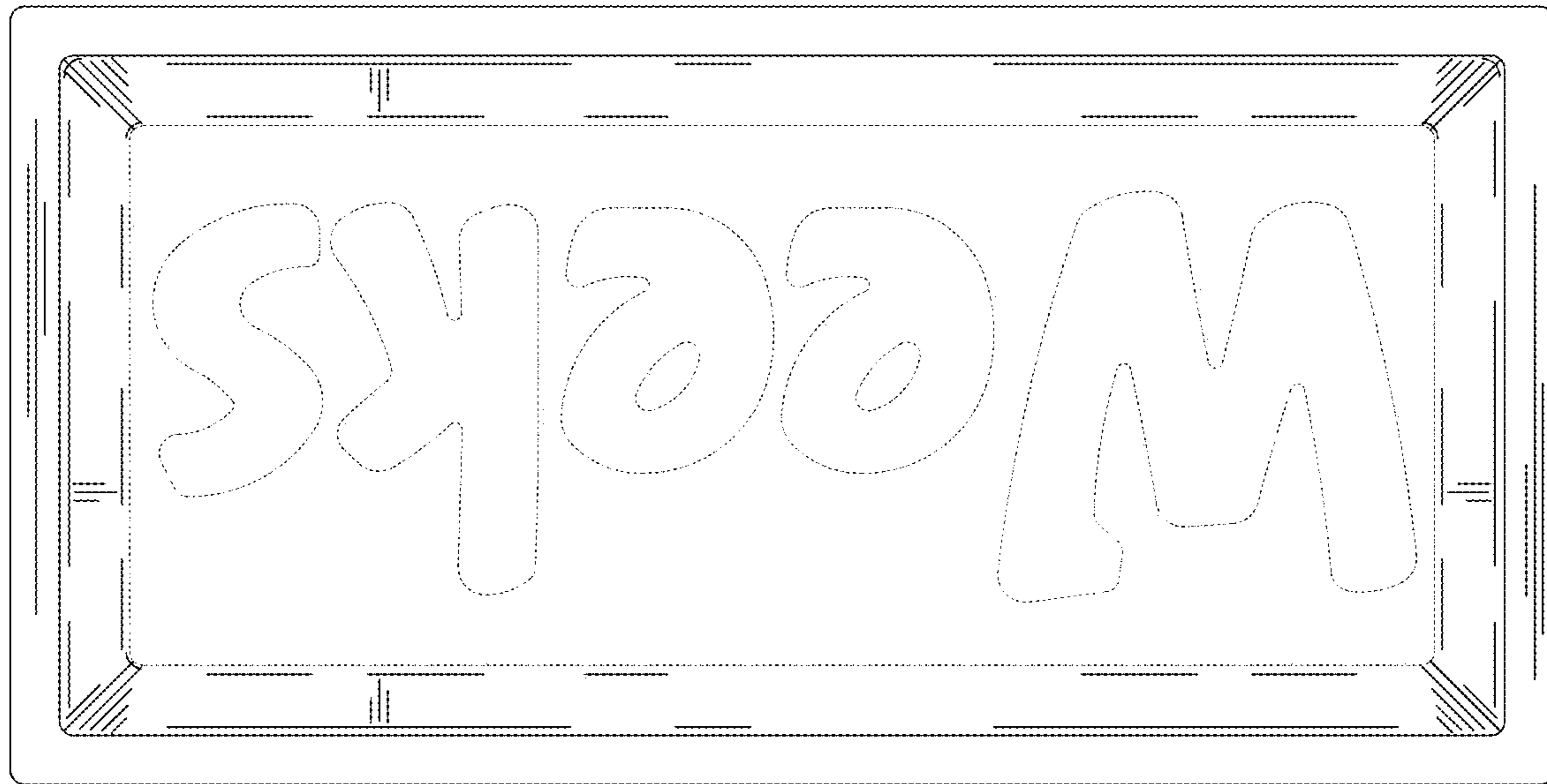


FIG. 87

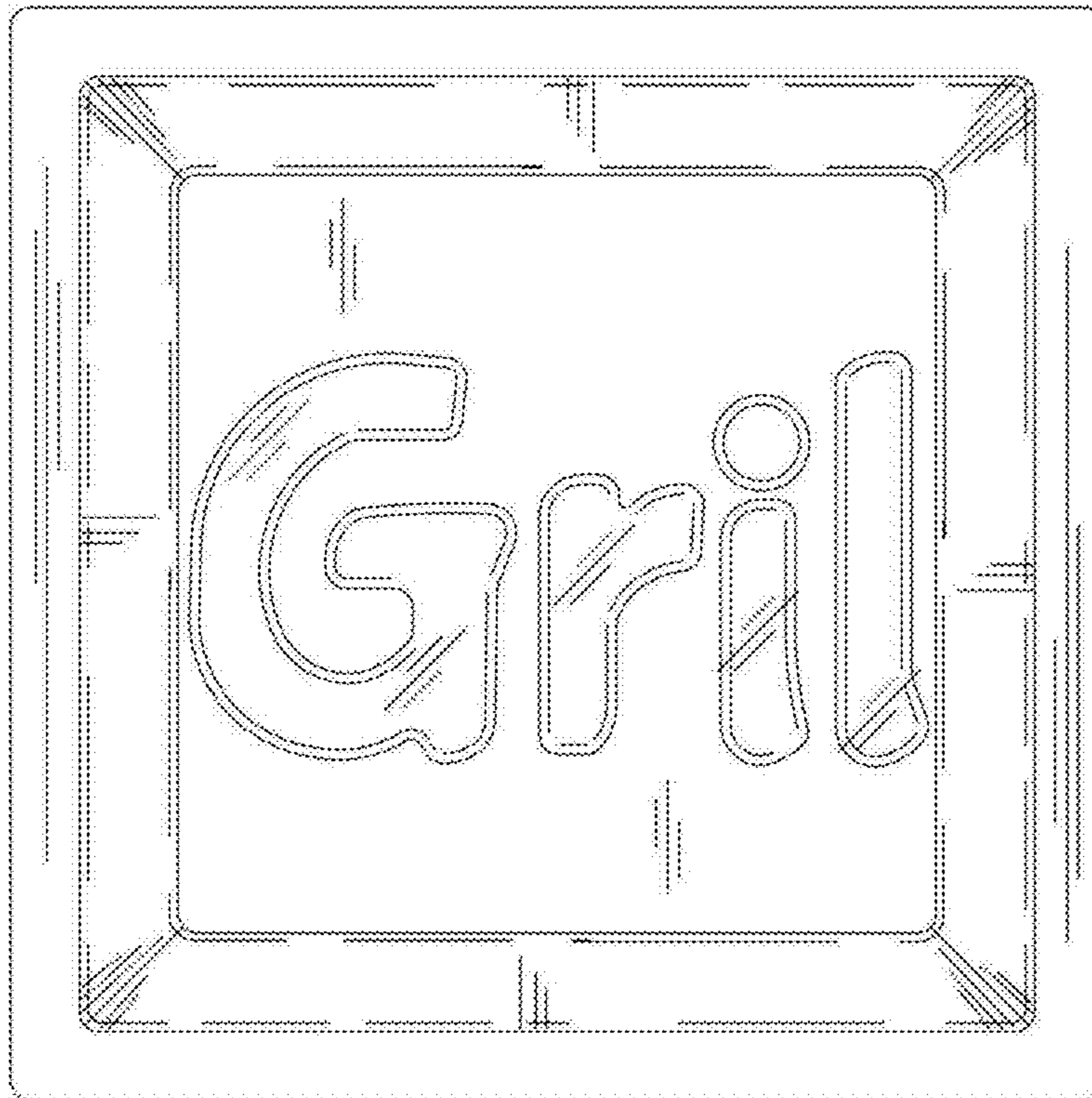


FIG. 88

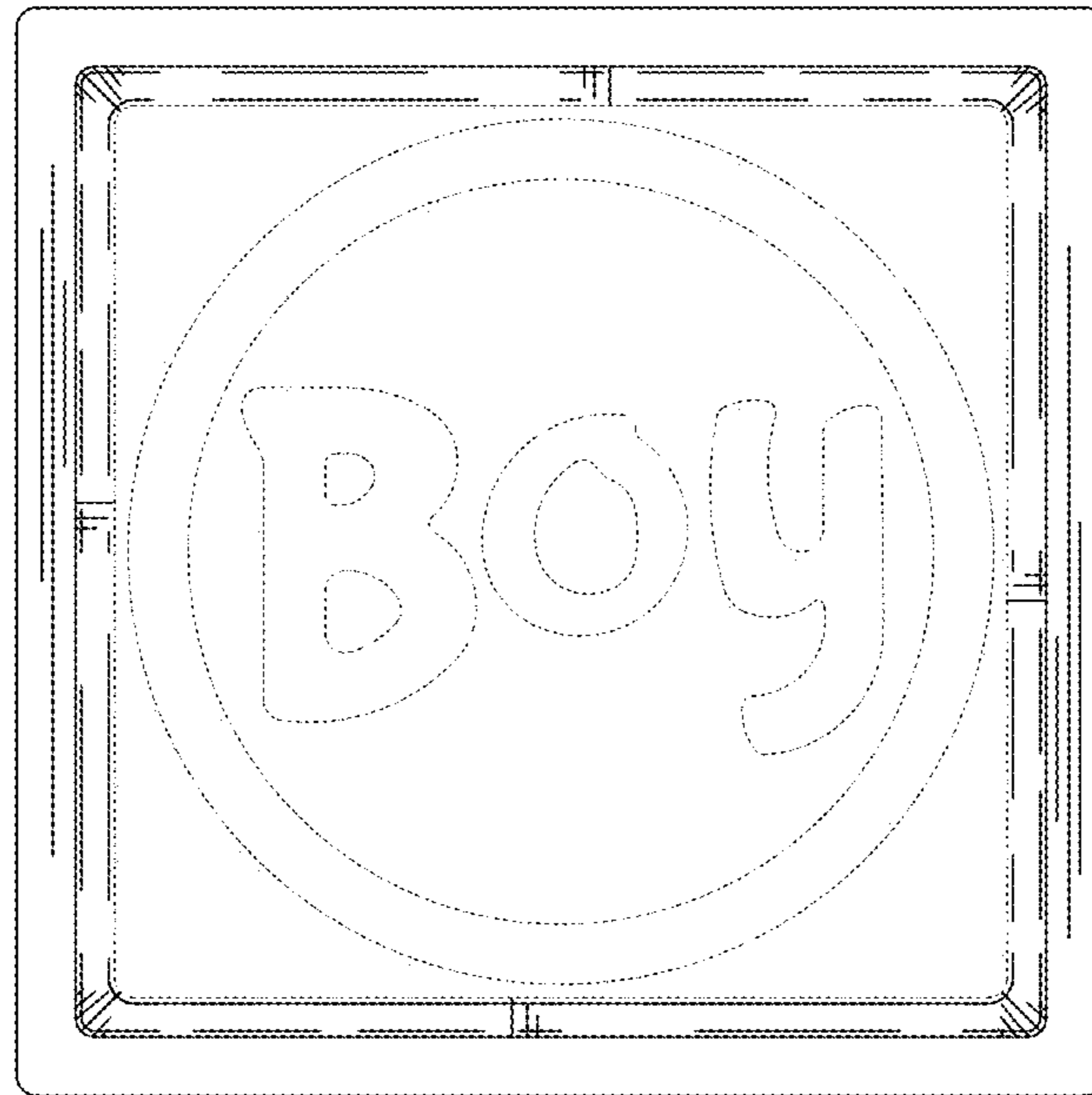


FIG.89

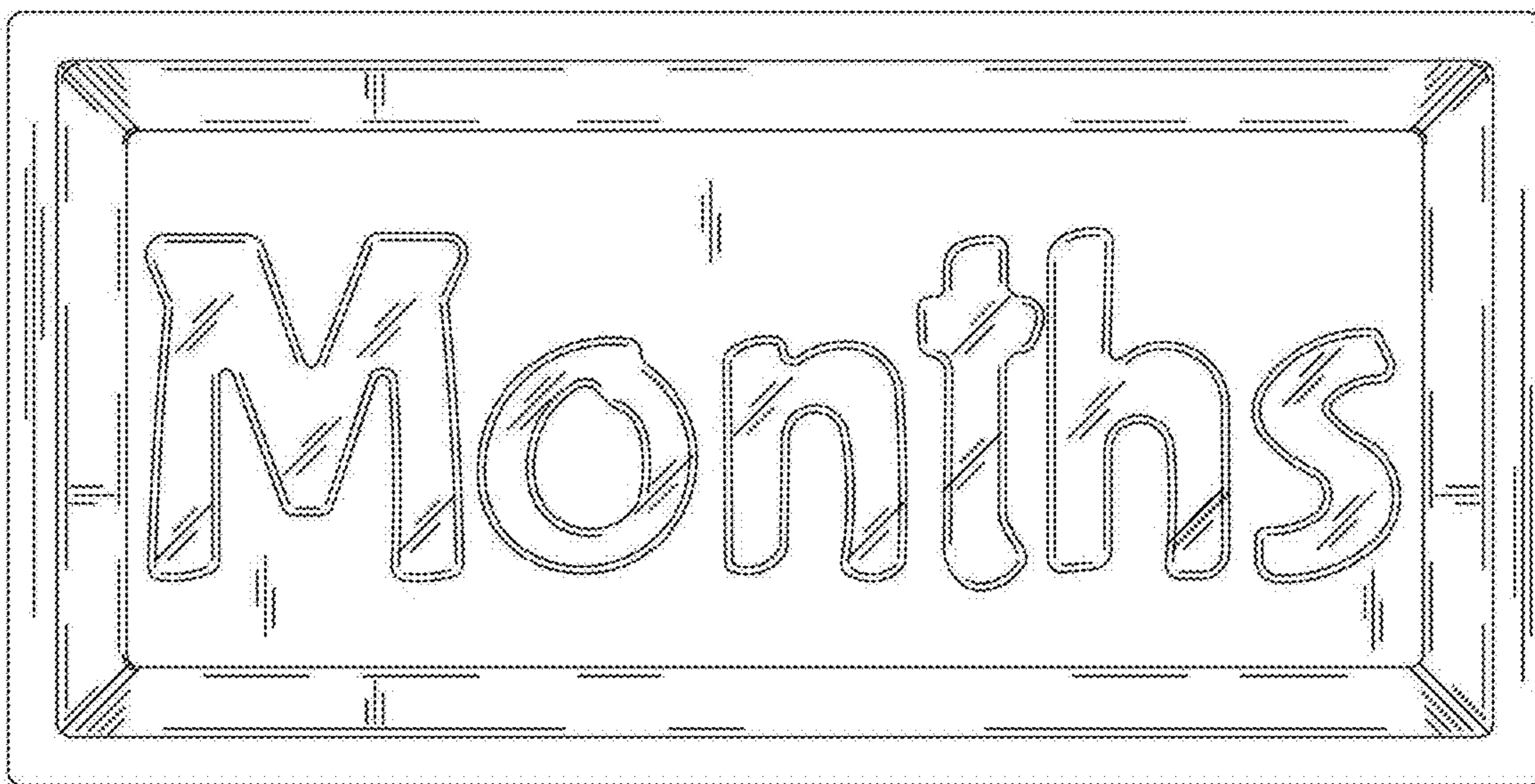


FIG.90

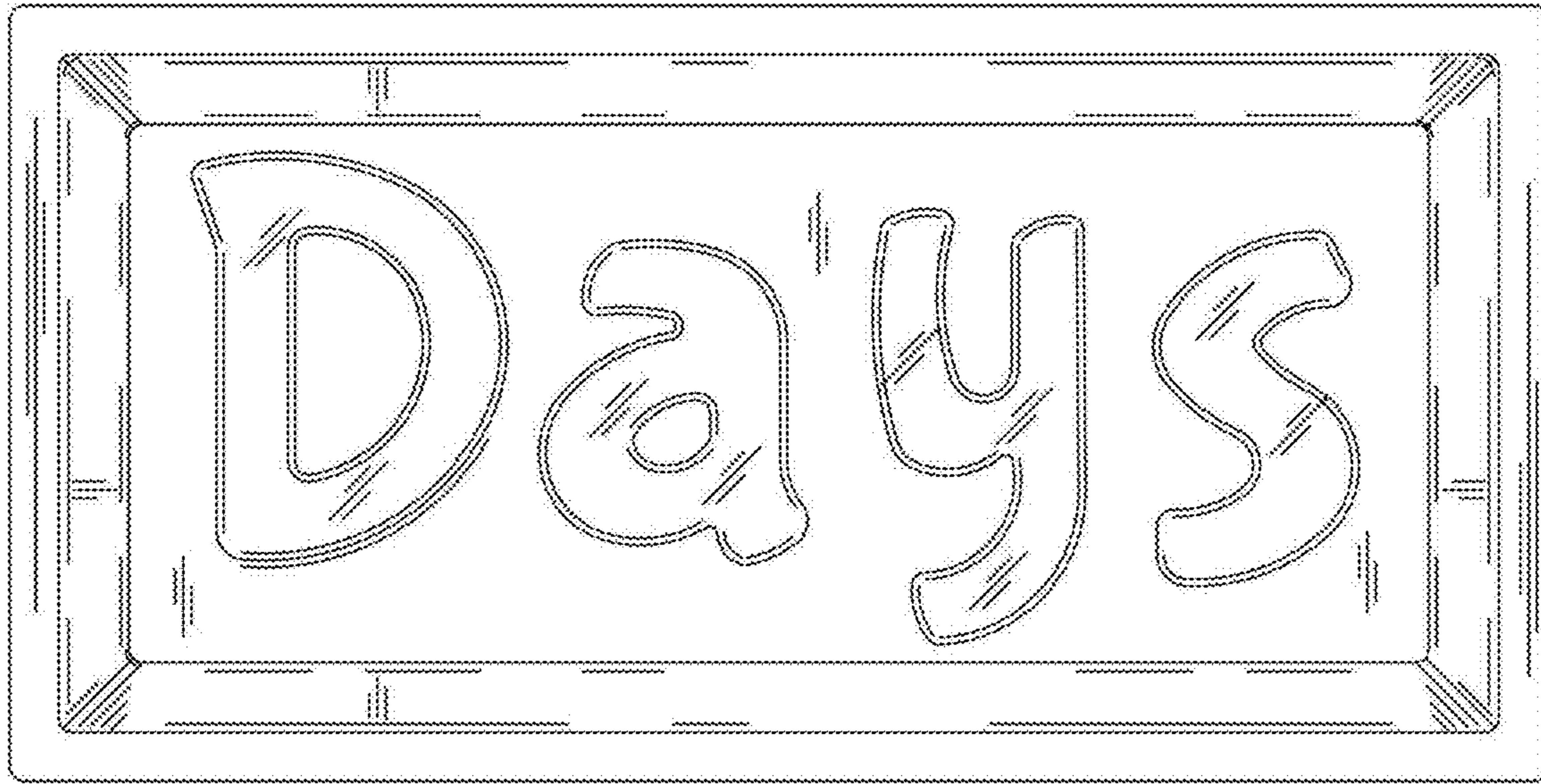


FIG.91

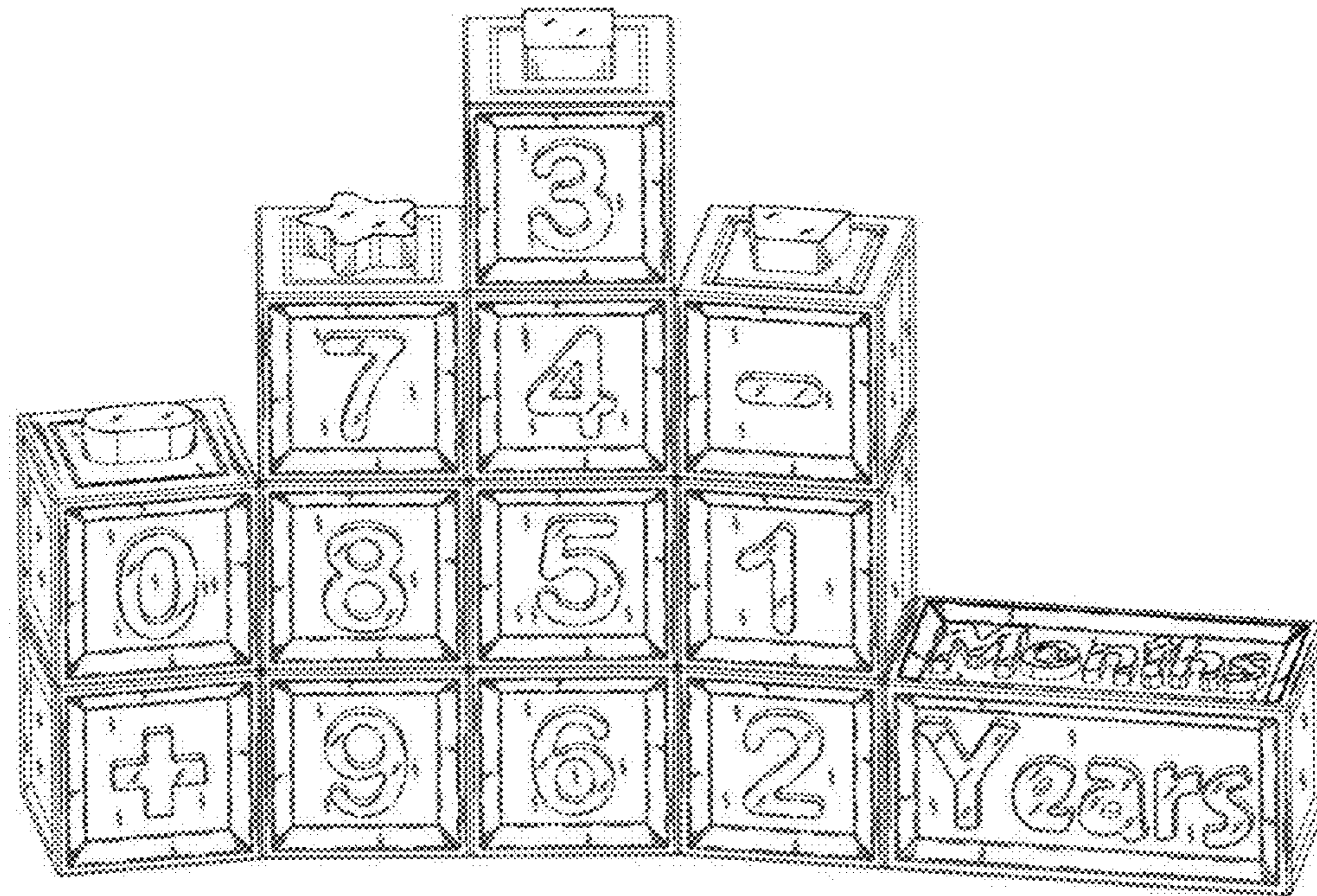


FIG.92