



US00D908811S

(12) **United States Design Patent**  
**Carson et al.**

(10) **Patent No.:** **US D908,811 S**  
(45) **Date of Patent:** **\*\* Jan. 26, 2021**

(54) **TOY TRAY WITH INSERT**

(71) Applicant: **Fat Brain Toy Co., LLC**, Elkhorn, NE (US)

(72) Inventors: **Adam Michael Carson**, Elkhorn, NE (US); **Karen Kay Carson**, Elkhorn, NE (US); **Mark Alan Carson**, Elkhorn, NE (US)

(73) Assignee: **Fat Brain Toy Co., LLC**, Elkhorn, NE (US)

(\*\*) Term: **15 Years**

(21) Appl. No.: **29/653,687**

(22) Filed: **Jun. 18, 2018**

(51) **LOC (13) Cl.** ..... **21-01**

(52) **U.S. Cl.**

USPC ..... **D21/468**

(58) **Field of Classification Search**

USPC ..... D21/398, 405–408, 443, 445, 468, D21/473–477, 478, 483, 488, 525, 324, D21/329–333, 334–397; D9/757, 758, D9/762, 426, 456, 732, 435–437; D7/553.1, 553.4, 553.5, 553.8, 672; D24/193–195, 105, 188, 200, 211, 214, D24/212; D8/402; D15/90; D14/397, D14/398, 412, 417; D19/103, 104; D13/168, 171, 174; D23/260, 261, 269; D6/596, 582–587, 601, 604; D5/47, 53, D5/61; 446/69, 176, 177, 181, 197, 198, 446/227, 486, 487; 220/23.2, 23.4, 23.88, 220/23.89, 495.02, 495.03, 528, 529, 220/573.5, DIG. 19; 249/127, 128, 139, 249/160, 163, 164, 168, 169, 119, 120; 425/DIG. 44; 206/1.8, 1.9, 558, 564,  
(Continued)

(56) **References Cited**

U.S. PATENT DOCUMENTS

3,743,293 A \* 7/1973 Chodorov ..... A63F 3/00261  
273/266

D242,055 S \* 10/1976 Brown ..... D21/346  
(Continued)

FOREIGN PATENT DOCUMENTS

CN 301385995 \* 11/2010  
CN 303970359 \* 12/2016

(Continued)

OTHER PUBLICATIONS

“Last Mouse Lost” from FoxMind; TTPM Toy Reviews; Nov. 18, 2014; <https://www.youtube.com/watch?v=3tfLpiPn1Hs>.

*Primary Examiner* — Catherine A Tuttle

(74) *Attorney, Agent, or Firm* — Mallory M. Henninger; Advent, LLP

(57) **CLAIM**

The ornamental design for a toy tray with insert, as shown and described.

**DESCRIPTION**

FIG. 1 is a top plan view of a toy tray showing our new design;

FIG. 2 is a bottom view thereof.

FIG. 3 is a front elevation view thereof.

FIG. 4 is a rear elevation view thereof.

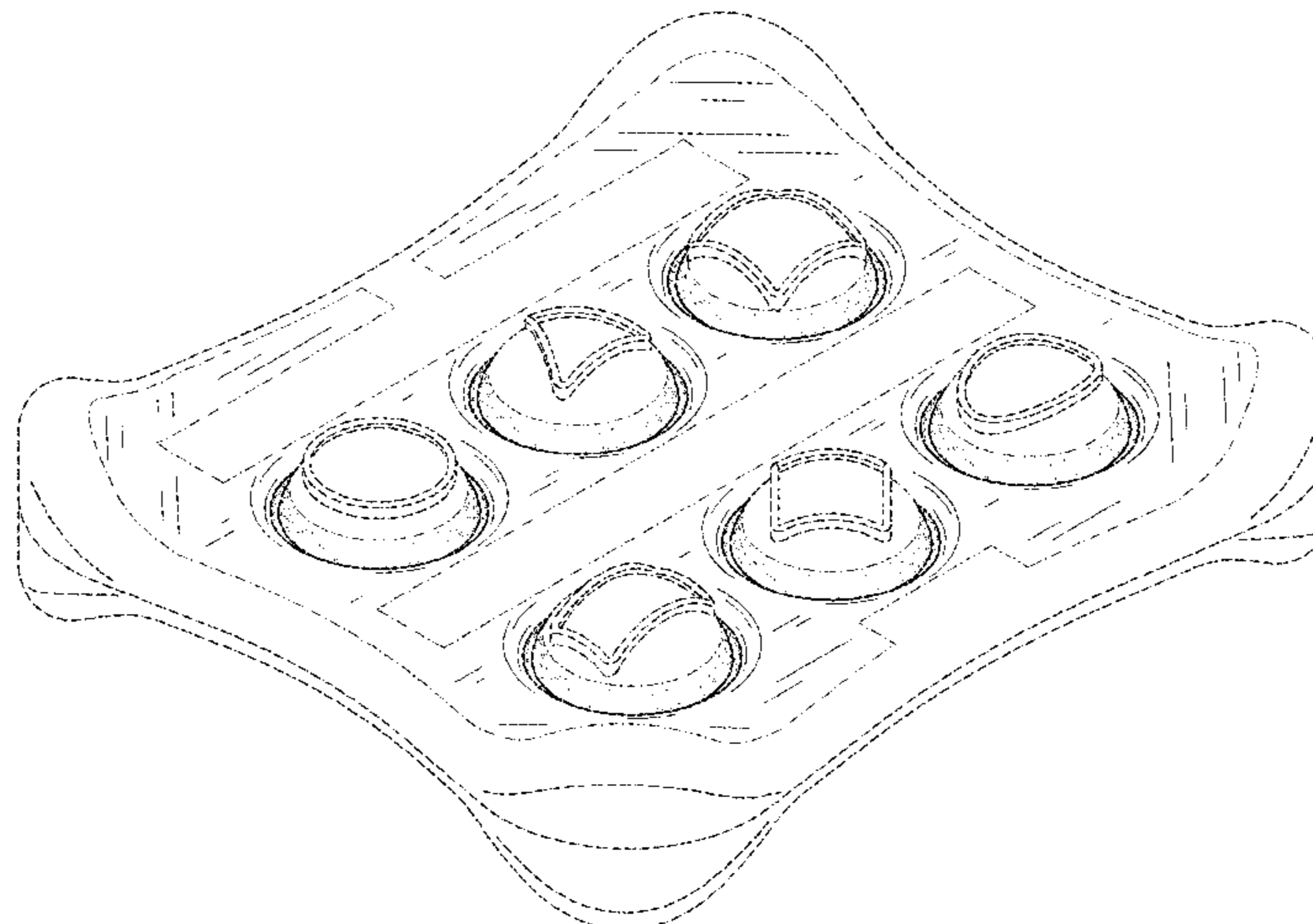
FIG. 5 is a left side elevation view thereof.

FIG. 6 is a right side elevation view thereof; and,

FIG. 7 is an isometric view thereof, seen from the top, front and left.

The dash-dot-dash lines form no part of the claimed design, but serve to define the bounds of the claim adjacent to the shaded areas. The dashed lines depict the portions of the toy tray with insert that form no part of the claimed design.

**1 Claim, 5 Drawing Sheets**



(58) **Field of Classification Search**

USPC ..... 206/588, 589; 273/264, 270, 271, 281,  
 273/287, 289, 285, 286, DIG. 29,  
 273/DIG. 31; 200/511-513;  
 428/159-162, 174, 178, 179, 180, 187;  
 4/581, 582, 583; 601/28, 40  
 CPC .... A63H 33/00; A63H 33/006; A63H 33/042;  
 A63H 37/005; A63H 9/00; A61M 21/02;  
 G09B 1/02-06; G09B 19/00; G09B  
 21/00; A61B 5/1124; A61B 5/6896;  
 A61H 2009/0064; A61H 2201/013; A63F  
 3/00094; A63F 3/00097; A63F 3/00173;  
 A63F 3/00176; A63F 3/00574; A63F  
 2003/00258; A63F 2003/00261; A63F  
 2003/00394; A63F 2003/00397; A63F  
 2003/004; A63F 2003/00492; A63F  
 2003/00504; A63F 9/0093; A63F 9/06;  
 A63F 2009/0007; A63F 2009/0047; A63F  
 2250/02; A63F 2250/025; A63F 2250/18;  
 A63F 2250/186; A63F 2250/48; A63F  
 2250/482; A63F 2250/483; A63F  
 2250/491; A47K 3/002

See application file for complete search history.

(56) **References Cited**

U.S. PATENT DOCUMENTS

4,045,013 A 8/1977 Coster  
 D248,412 S \* 7/1978 Brown ..... D21/344

D263,999 S \* 4/1982 Bergman ..... D21/406  
 D272,317 S \* 1/1984 Parmentier ..... D15/90  
 D277,685 S \* 2/1985 Olsen ..... D21/475  
 D288,513 S \* 3/1987 Shelly ..... D6/707.16  
 4,890,845 A \* 1/1990 Gatewood ..... A63F 3/00094  
 273/143 E  
 D335,900 S \* 5/1993 Oshimi ..... D21/475  
 D383,338 S \* 9/1997 Gibbs ..... D19/59  
 D491,234 S \* 6/2004 Rom ..... D21/478  
 D491,271 S \* 6/2004 Siegfried ..... D24/211  
 D501,231 S \* 1/2005 Rom ..... D21/478  
 6,938,768 B2 9/2005 Ferretti et al.  
 7,771,200 B2 8/2010 Schultz  
 D777,688 S \* 1/2017 Seidl ..... D13/171  
 D830,317 S \* 10/2018 Seidl ..... D13/164  
 D832,796 S \* 11/2018 Seidl ..... D13/162  
 2011/0076909 A1 \* 3/2011 Hageman ..... A63H 33/042  
 446/124  
 2019/0060769 A1 \* 2/2019 Swann ..... A63H 1/00  
 2019/0275285 A1 \* 9/2019 Delp ..... A63H 33/006

FOREIGN PATENT DOCUMENTS

CN 304261864 \* 8/2017  
 DE 19603497 A1 \* 8/1997 ..... A63H 33/006  
 DE 202015100700 U1 \* 5/2015 ..... A63H 33/006  
 EM 000006135-0002 \* 6/2003  
 GB 6021869 \* 11/2017  
 JP D1587327 \* 10/2017

\* cited by examiner

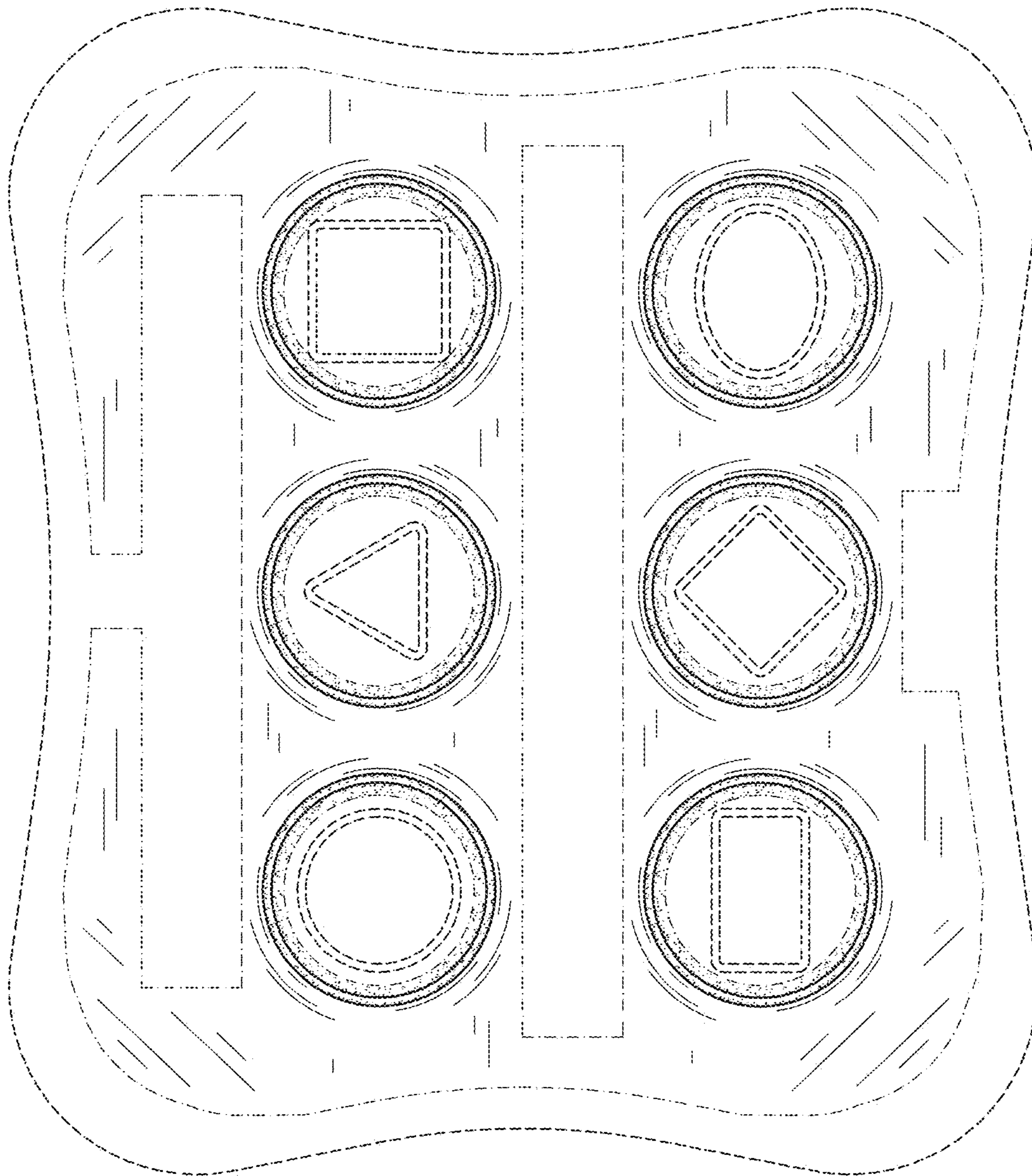


FIG. 1



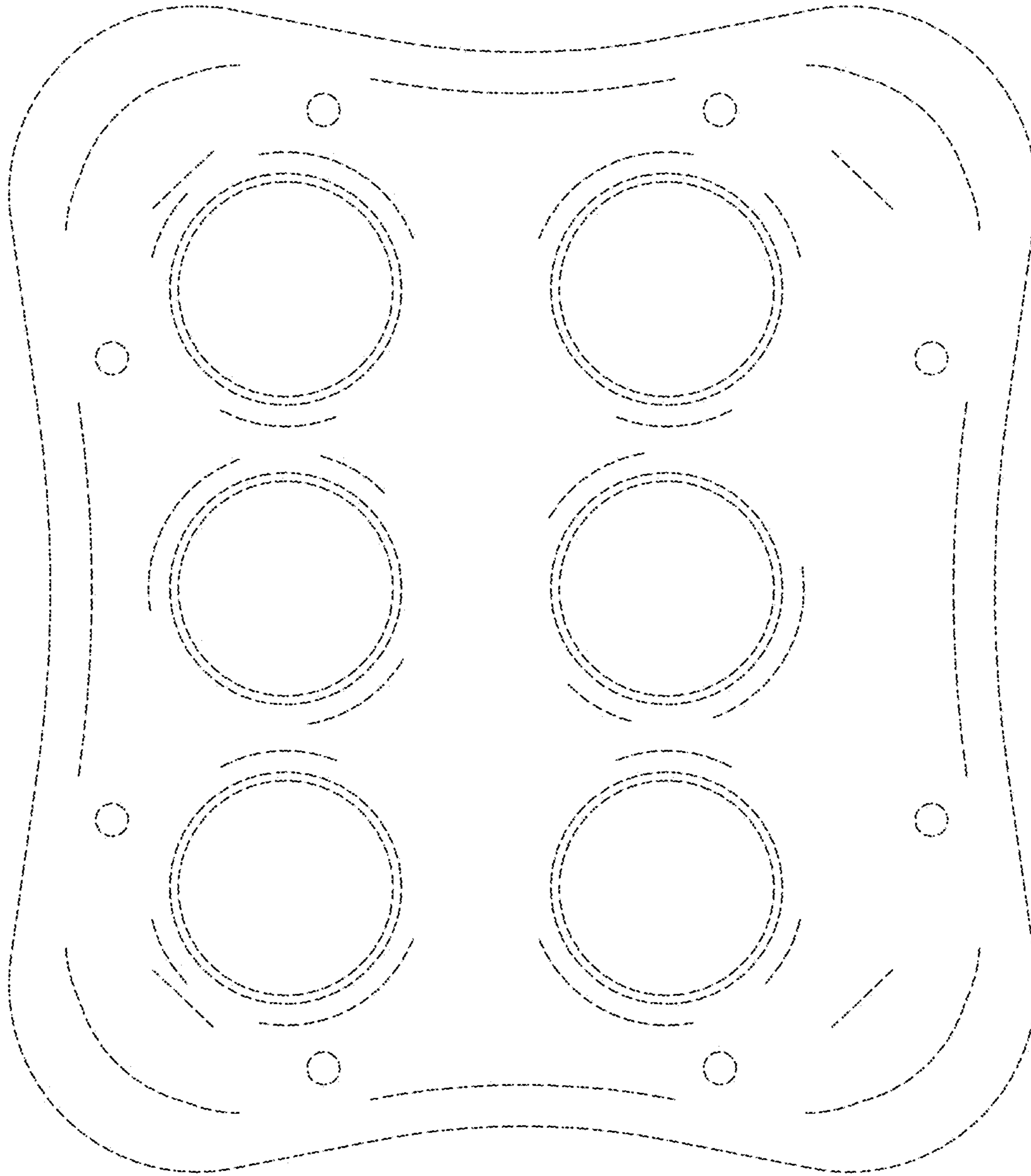
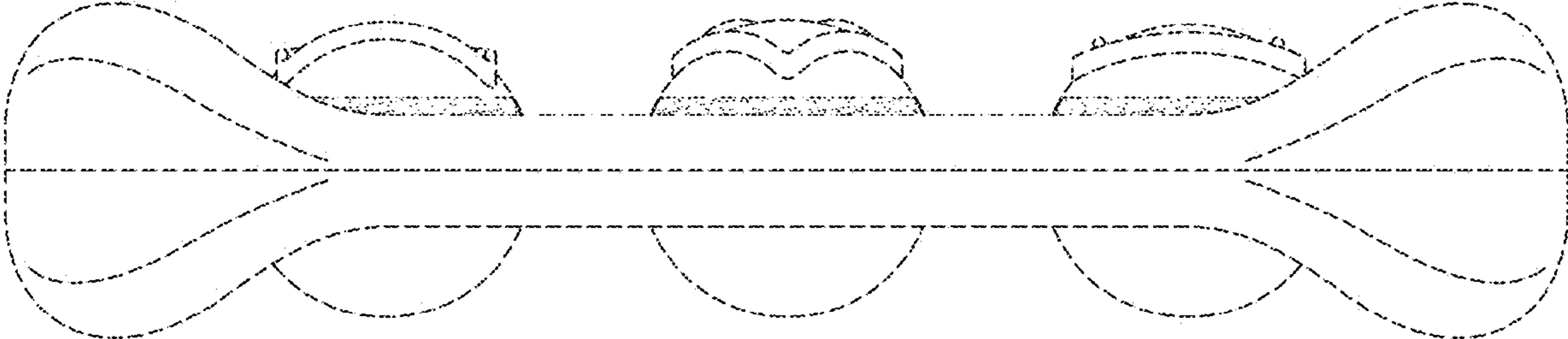
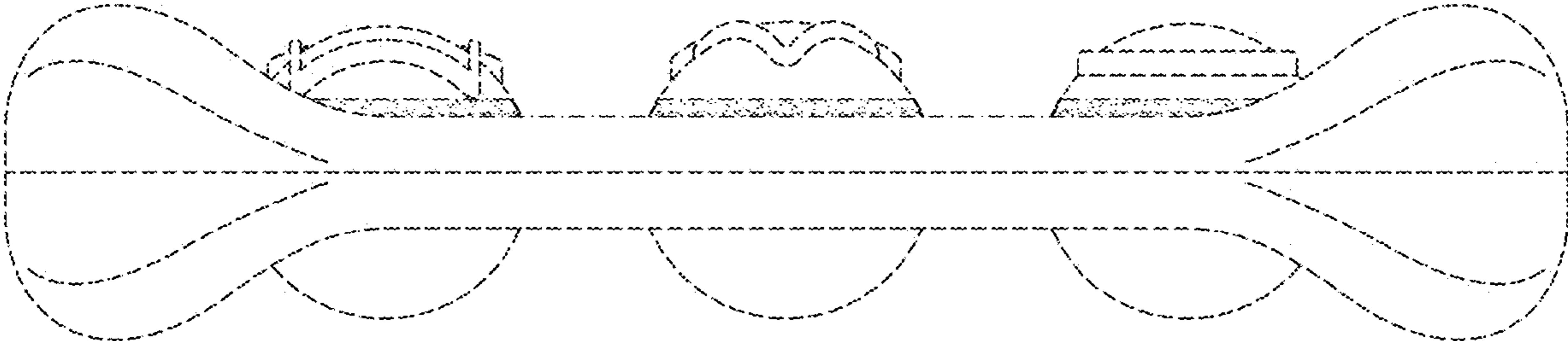


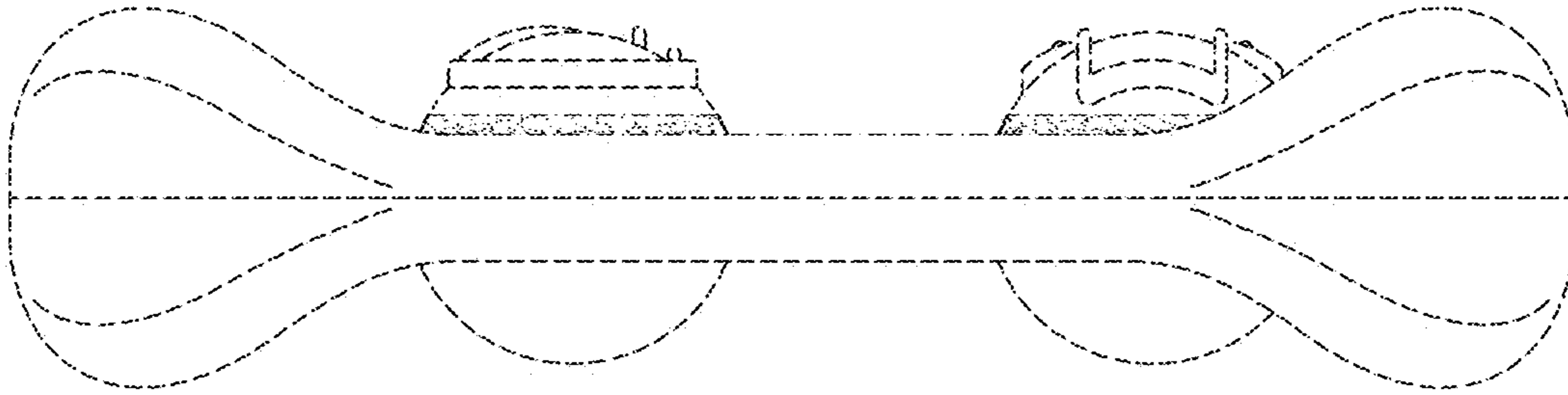
FIG. 2



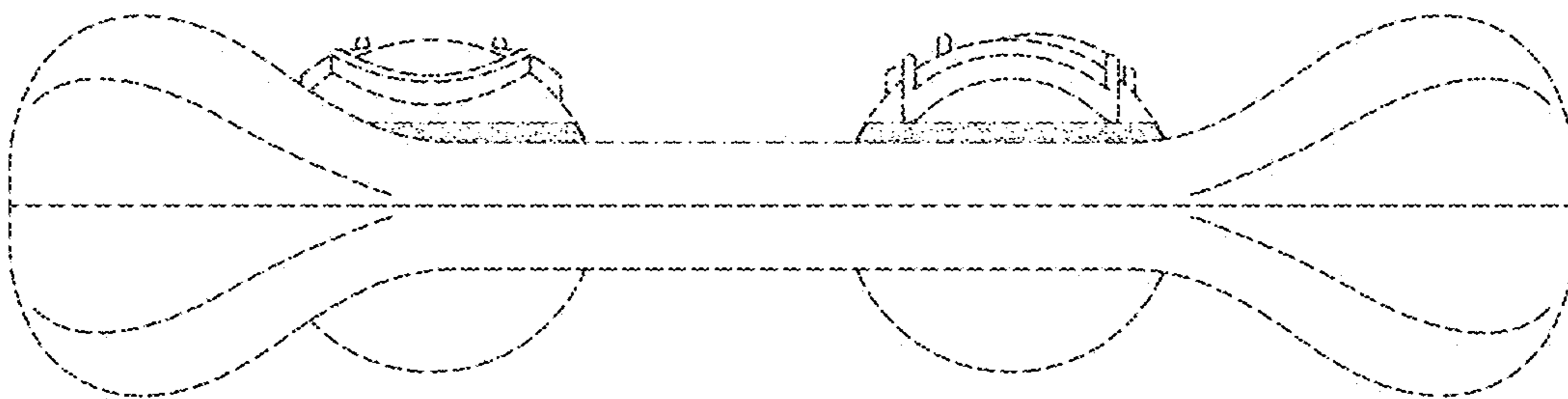
**FIG. 3**



**FIG. 4**



**FIG. 5**



**FIG. 6**

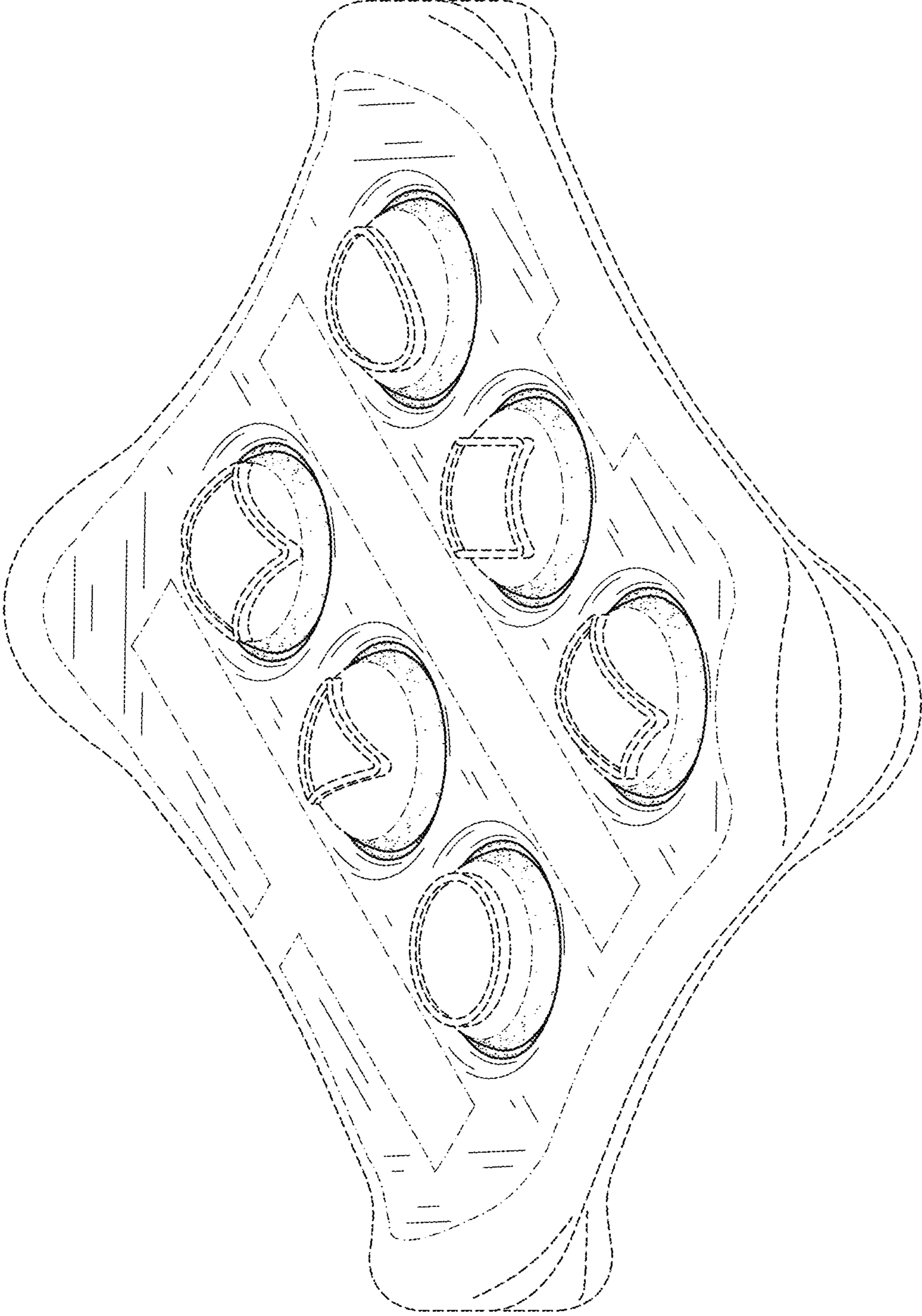


FIG. 7