



US00D908808S

(12) **United States Design Patent** (10) **Patent No.:** **US D908,808 S**
Wang (45) **Date of Patent:** **** Jan. 26, 2021**

(54) **SCOOTER**

(71) Applicant: **ALEC (TIANJIN) TECHNOLOGY CO., LTD.**, Tianjin (CN)

(72) Inventor: **Renchao Wang**, Tianjin (CN)

(73) Assignee: **ALEC (TIANJIN) TECHNOLOGY CO., LTD.**, Tianjin (CN)

(**) Term: **15 Years**

(21) Appl. No.: **29/731,098**

(22) Filed: **Apr. 11, 2020**

(51) **LOC (13) Cl.** **21-01**

(52) **U.S. Cl.**
USPC **D21/423**

(58) **Field of Classification Search**
USPC D21/419, 421, 423, 432, 435, 760, 763, D21/765, 771; D12/1, 110
CPC B62K 3/002; B62K 9/00; B62K 2202/00; B62K 15/00; B62K 2015/001; B62K 2015/003; B60Y 2200/126
See application file for complete search history.

D865,875 S 11/2019 Nangeroni et al.
D872,191 S 1/2020 Lee
D872,192 S 1/2020 Hadley
D873,349 S 1/2020 Huang
D877,257 S 3/2020 Cao
D877,258 S 3/2020 Cao
D884,800 S * 5/2020 Zhang D21/423
D885,492 S * 5/2020 Zhang D21/423
10,723,405 B2 * 7/2020 Kirchschrager A63C 17/011
2012/0181773 A1 * 7/2012 Ouboter B62K 9/02 280/263
2017/0101153 A1 * 4/2017 Eckert B62K 13/08
2018/0257727 A1 * 9/2018 Ye B62K 3/002

* cited by examiner

Primary Examiner — Cynthia M. Chin
(74) *Attorney, Agent, or Firm* — Law Offices of Steven W. Weinrieb

(57) **CLAIM**

The ornamental design for a scooter, as shown and described.

DESCRIPTION

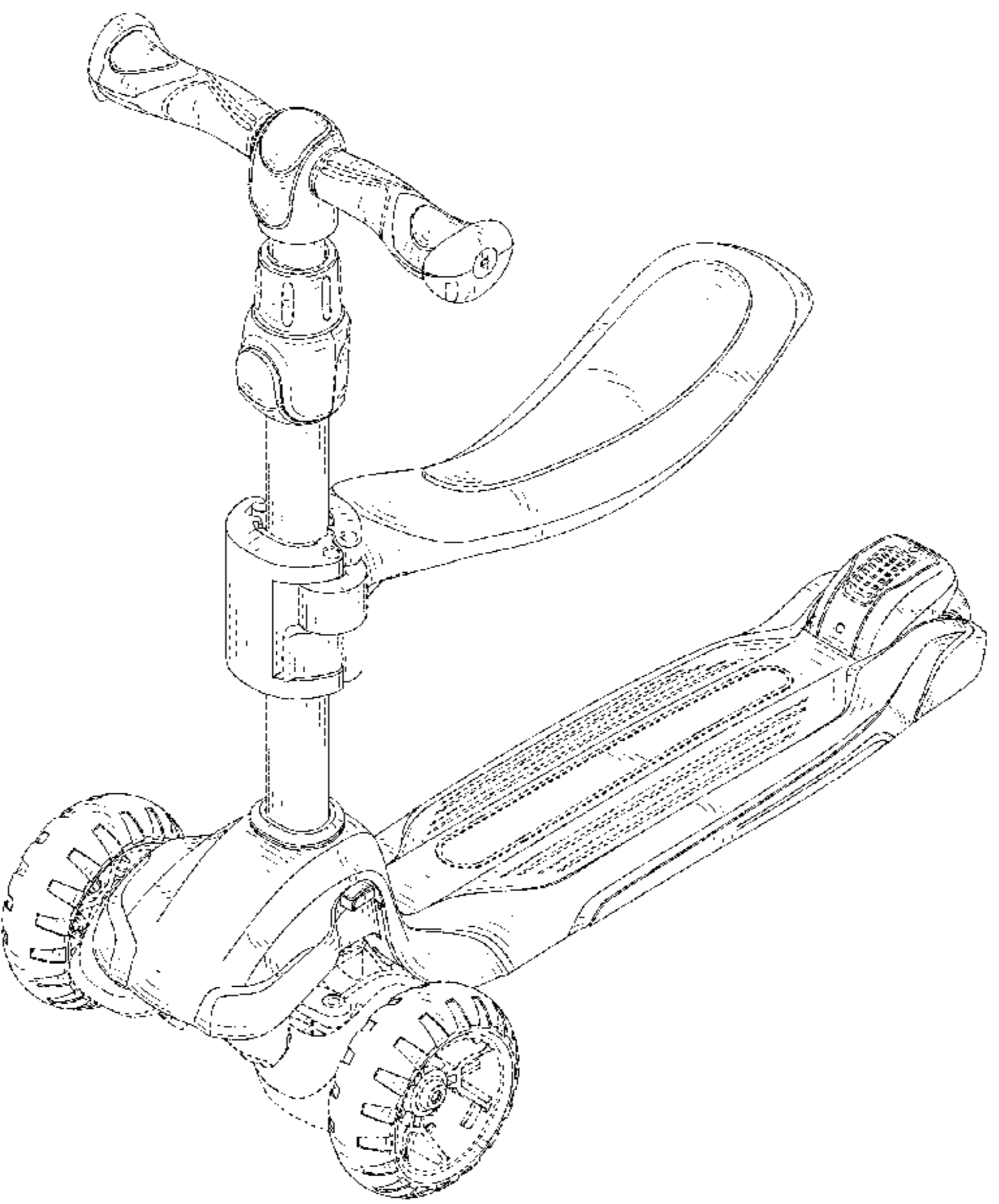
FIG. 1 is a front, right side, top perspective view of a scooter showing my new design;
FIG. 2 is a rear, left side, bottom perspective view thereof;
FIG. 3 is a front elevational view thereof;
FIG. 4 is a rear elevational view thereof;
FIG. 5 is a left side elevational view thereof;
FIG. 6 is a right side elevational view thereof;
FIG. 7 is a top plan view thereof;
FIG. 8 is a bottom plan view thereof; and,
FIG. 9 is a front, right side, top perspective view of the scooter illustrating the seat portion of the scooter detached from the upstanding front mast of the scooter.
The broken lines depict portions of the scooter that form no part of the claimed design.

1 Claim, 9 Drawing Sheets

(56) **References Cited**

U.S. PATENT DOCUMENTS

D631,102 S * 1/2011 Jessie, Jr. D21/424
D654,964 S 2/2012 Herlitz et al.
D654,965 S 2/2012 Herlitz
D749,174 S 2/2016 O'Connell
D755,305 S 5/2016 Edlauer et al.
D777,261 S 1/2017 Desberg
D834,098 S 11/2018 Desberg
D835,204 S 12/2018 Yao
D835,205 S 12/2018 Yao
D842,384 S * 3/2019 Kirchschrager D21/419
D859,535 S 9/2019 Li
D860,330 S 9/2019 Xu
D860,917 S 9/2019 Tan et al.



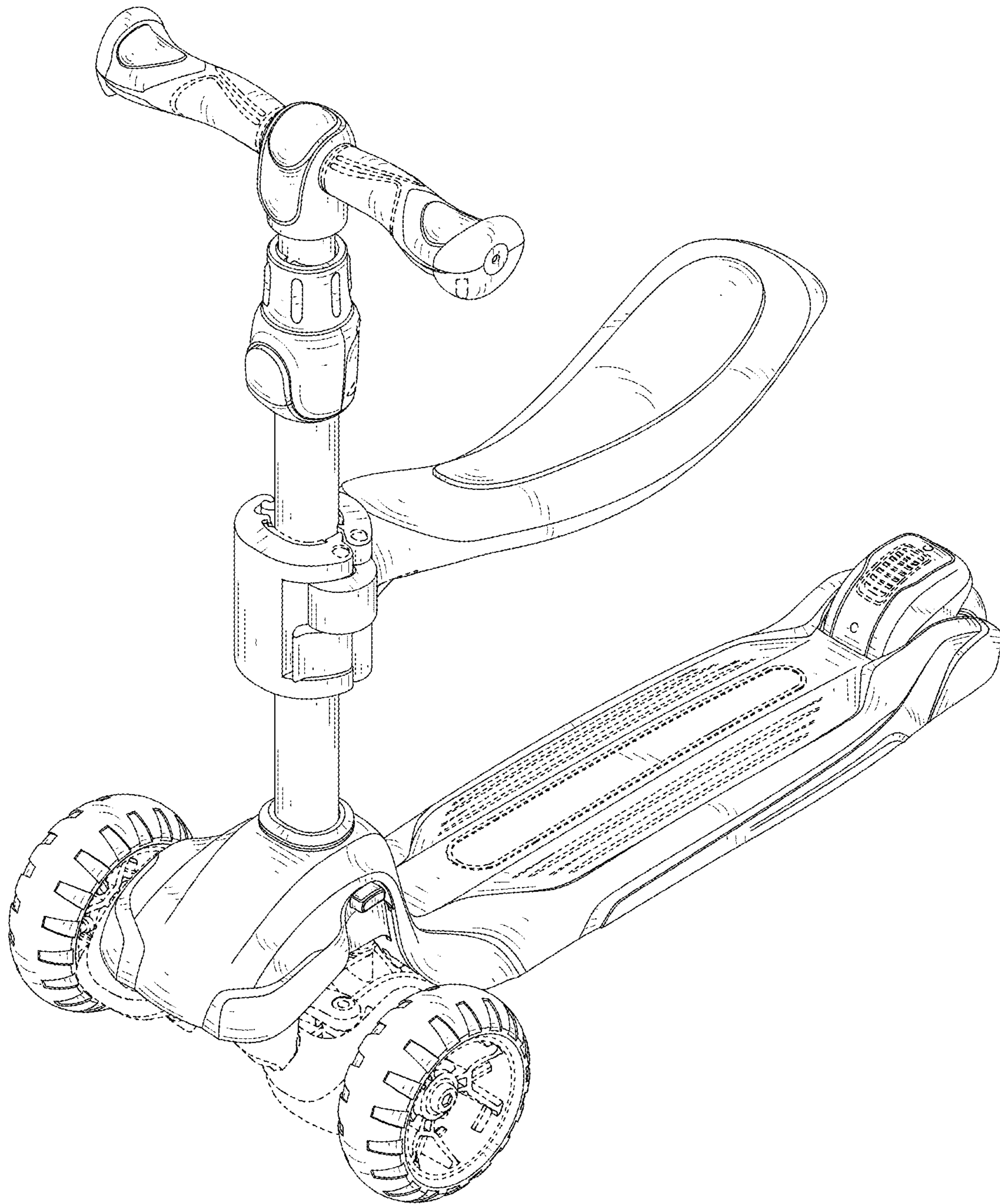


FIG. 1

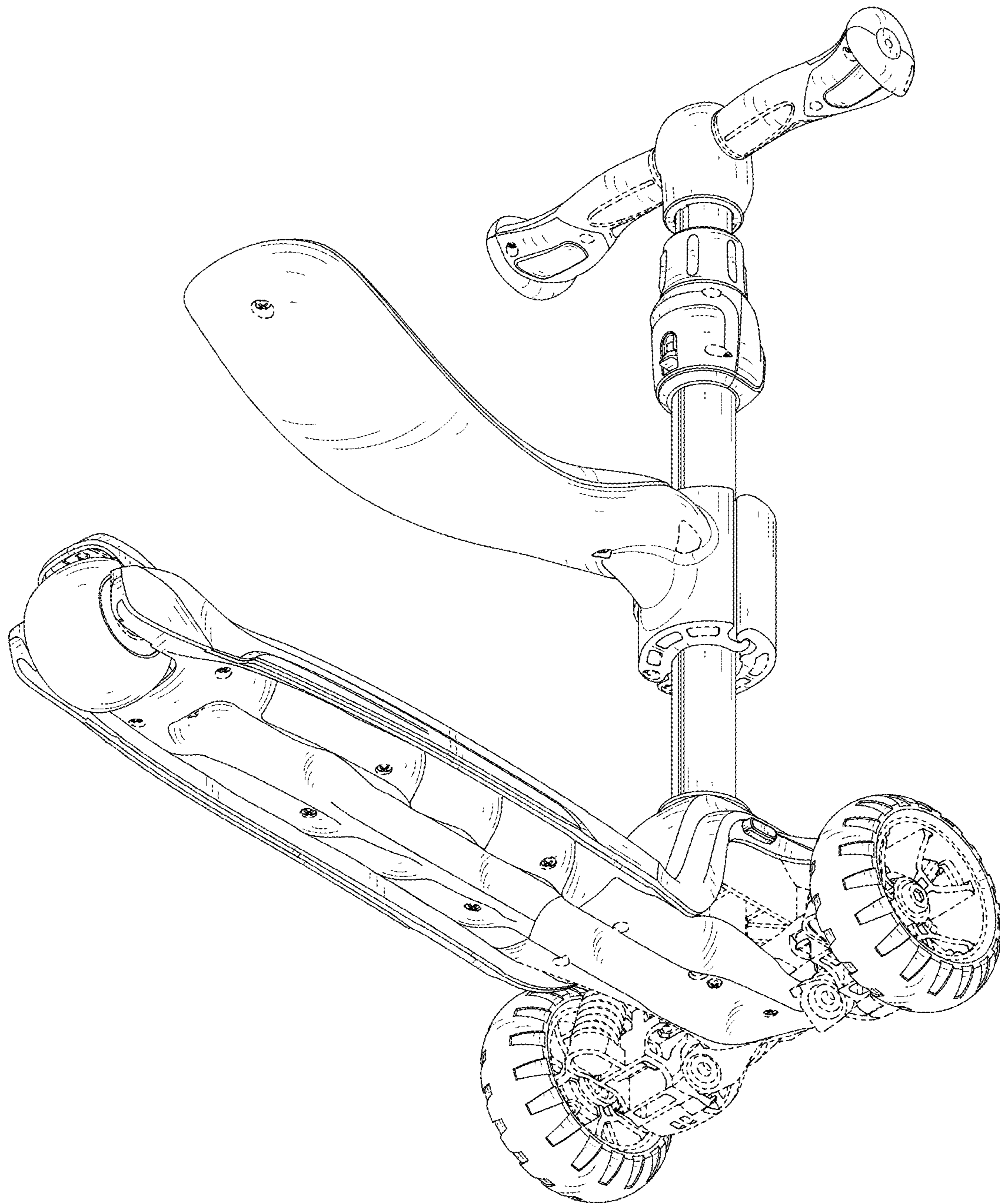


FIG. 2

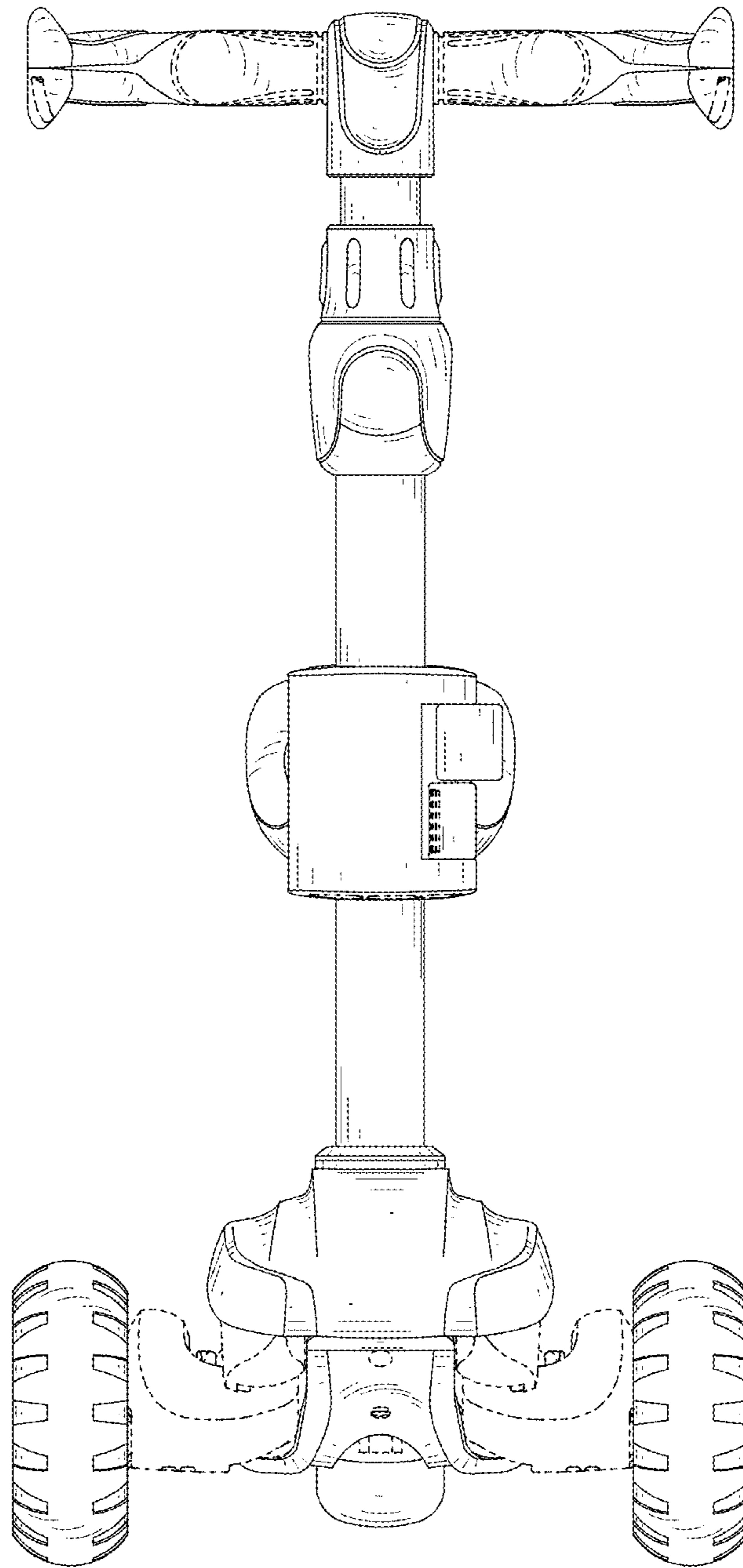


FIG. 3

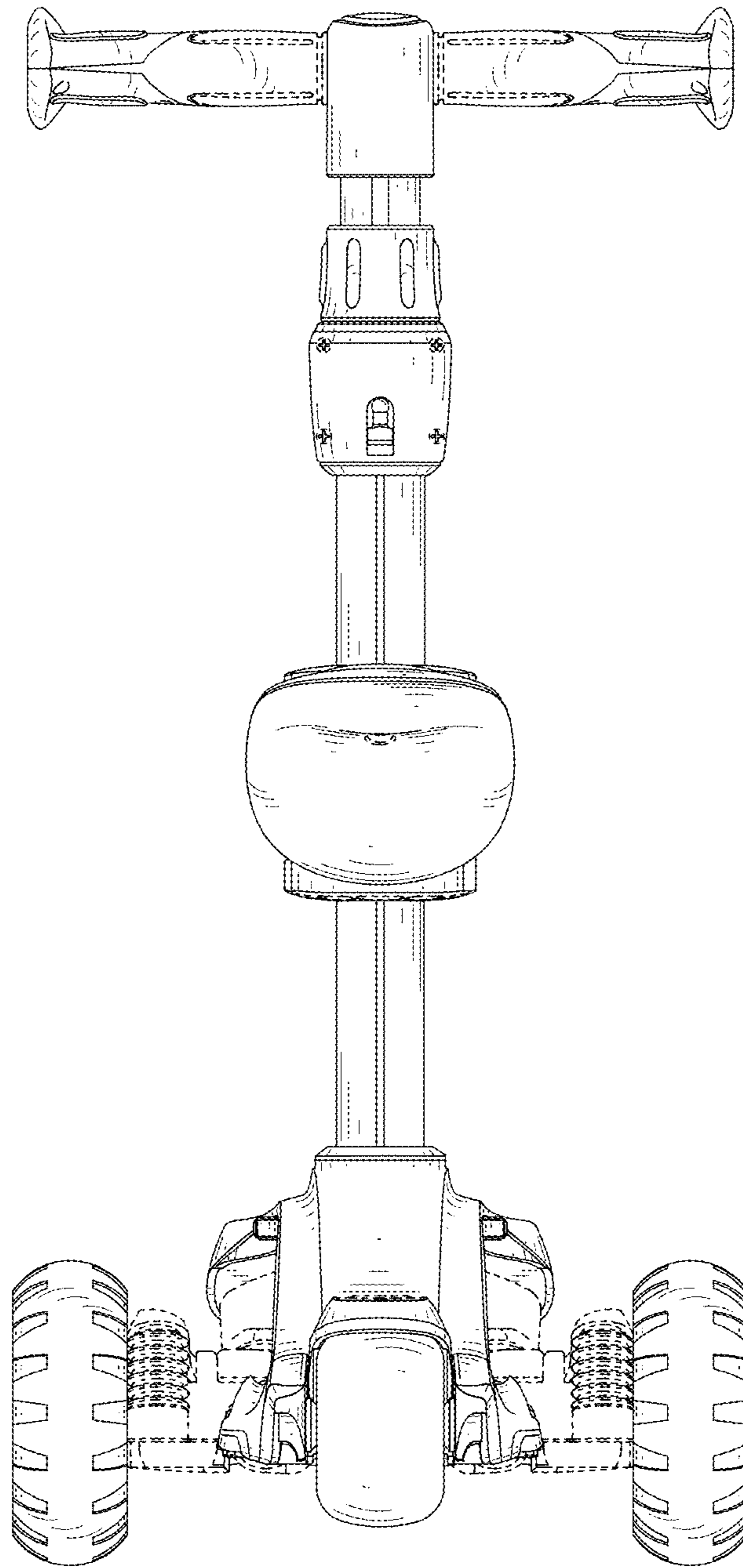


FIG. 4

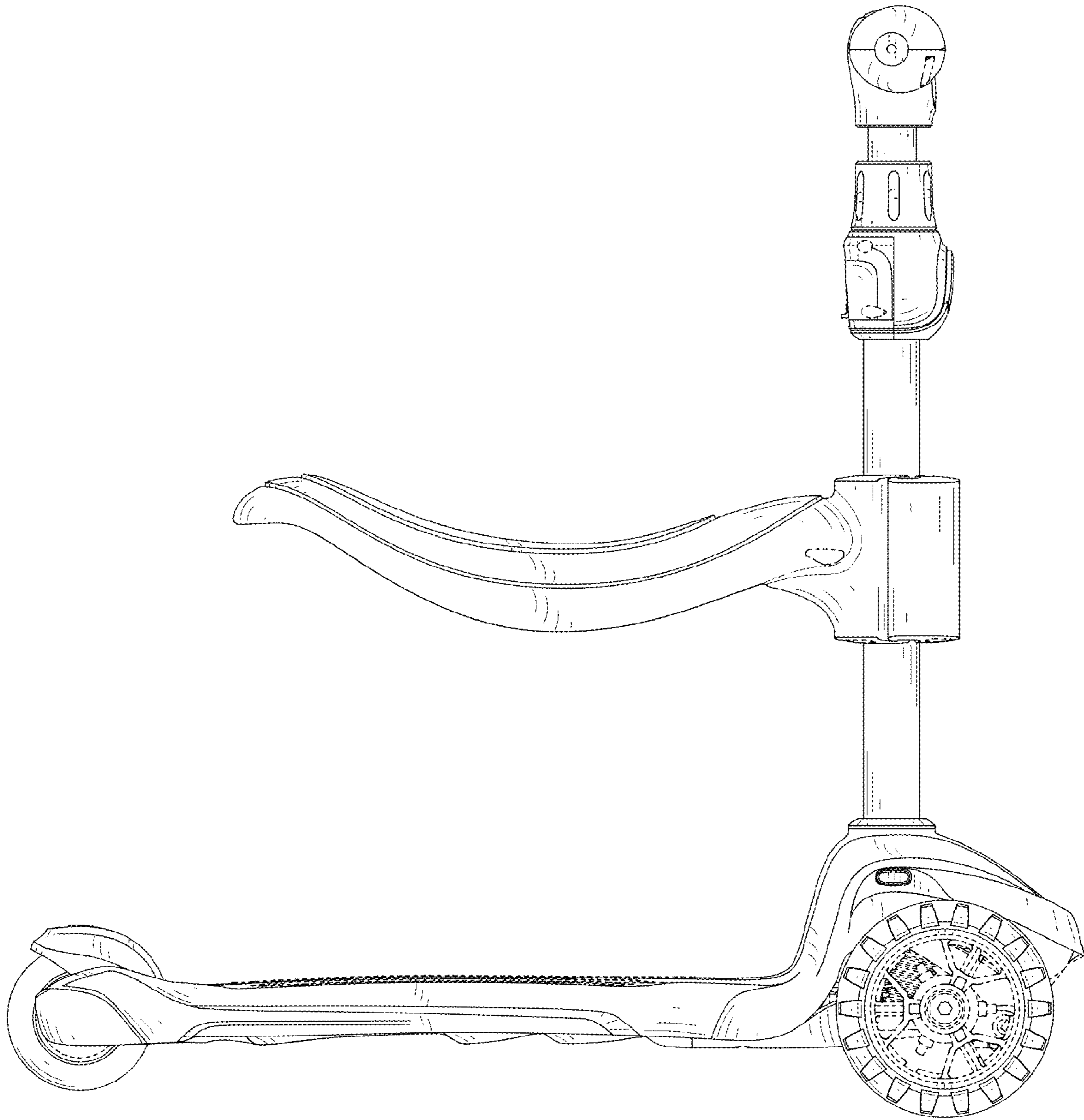


FIG. 5

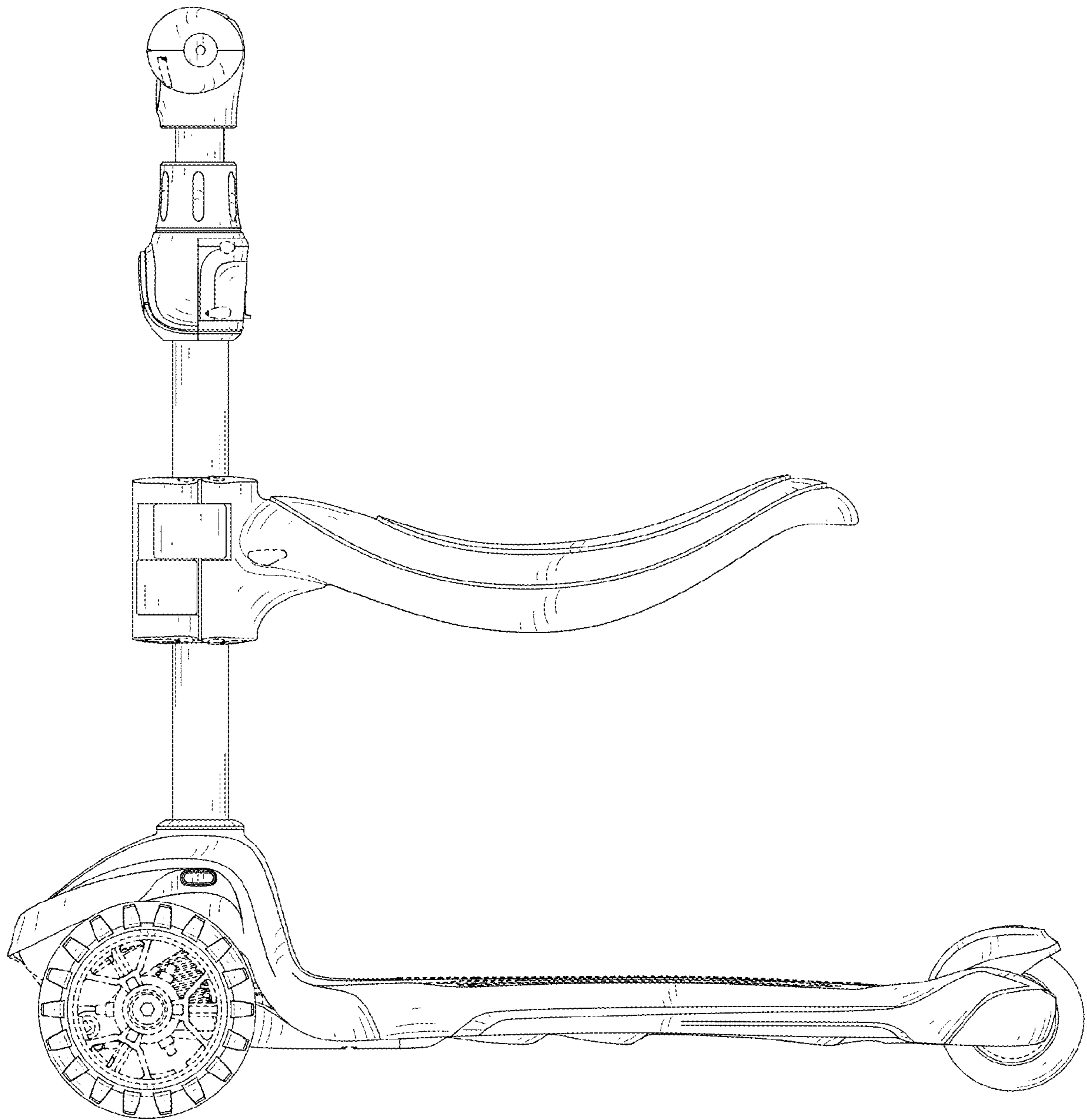


FIG. 6

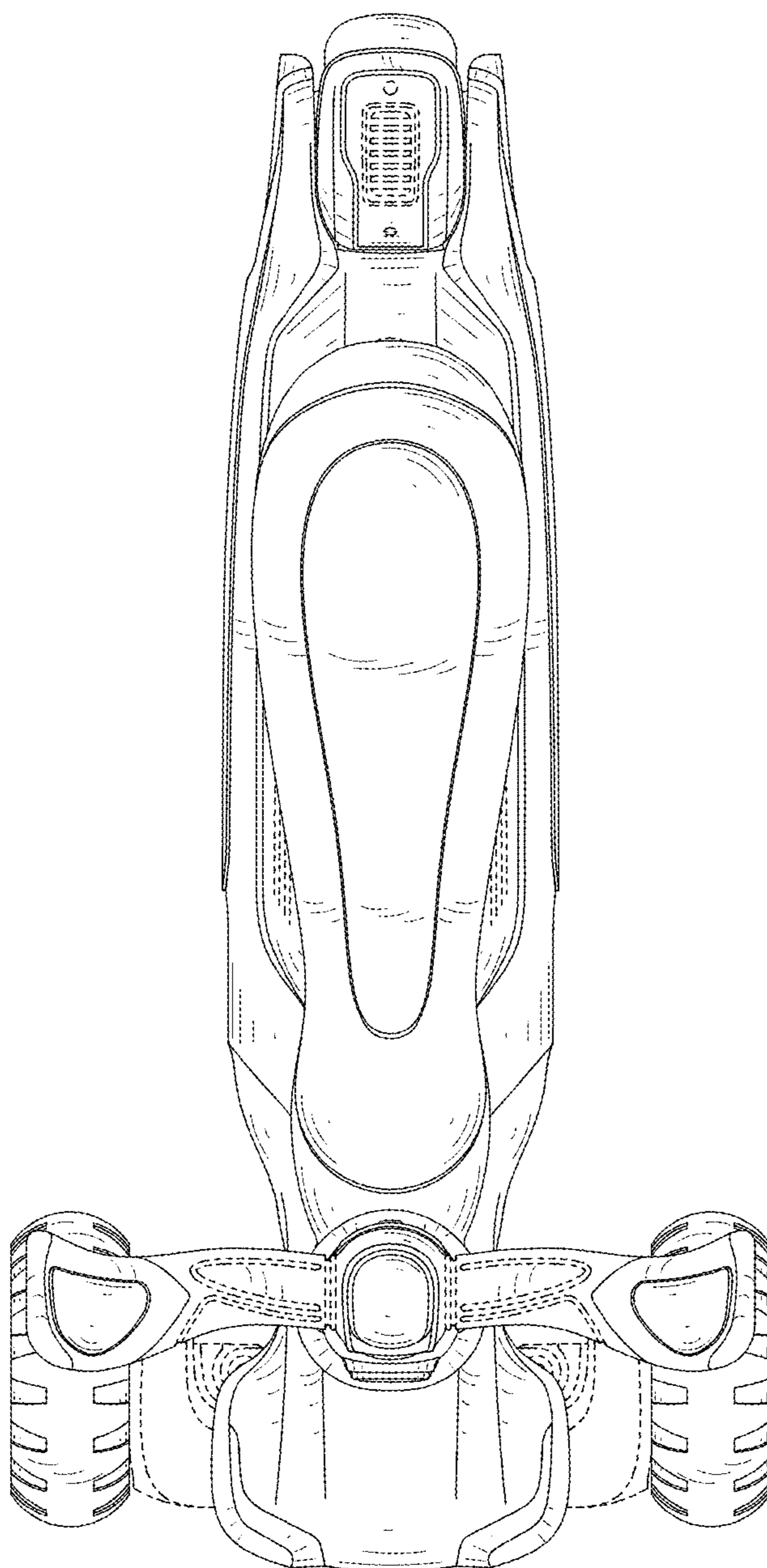


FIG. 7

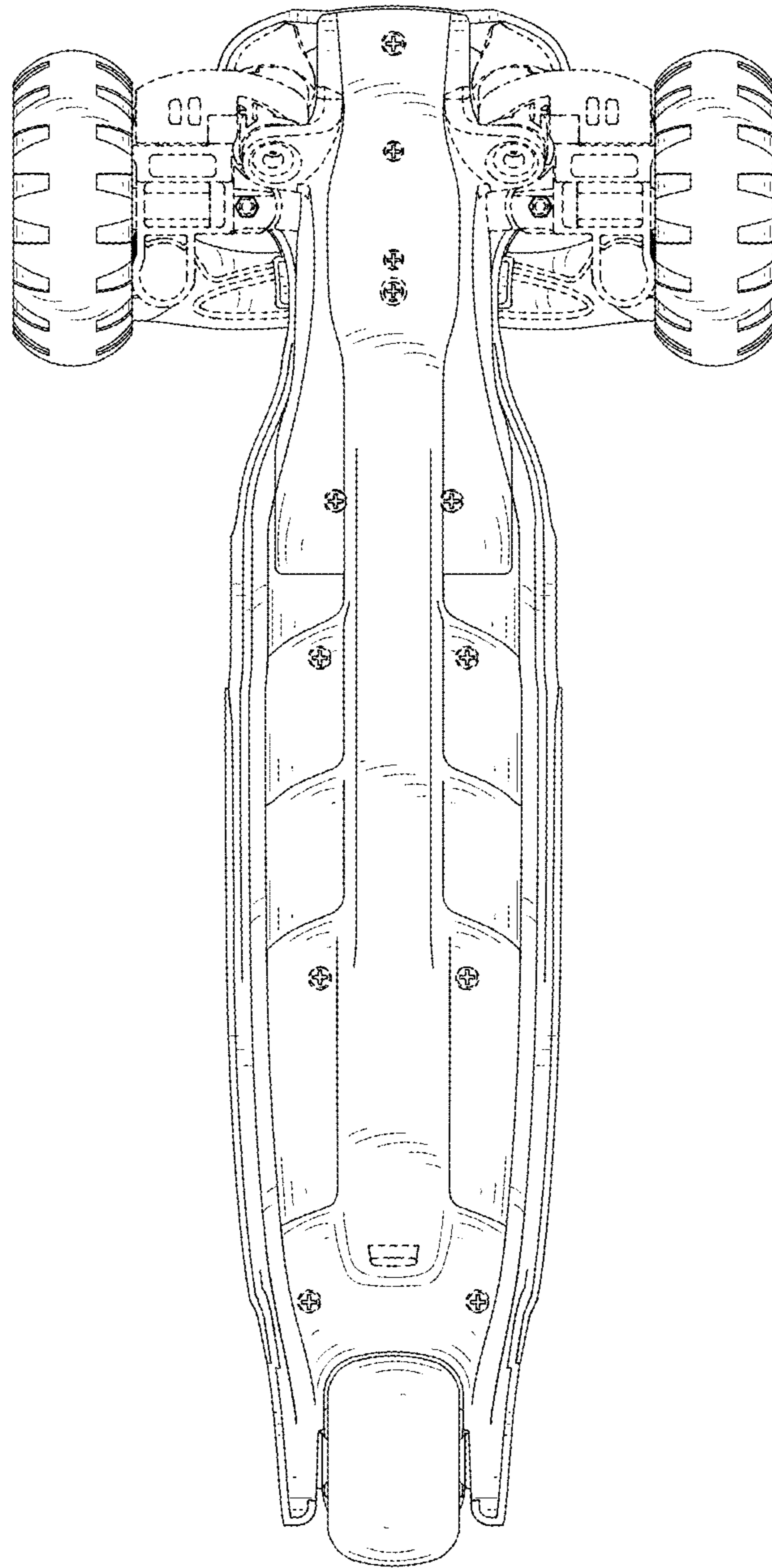


FIG. 8

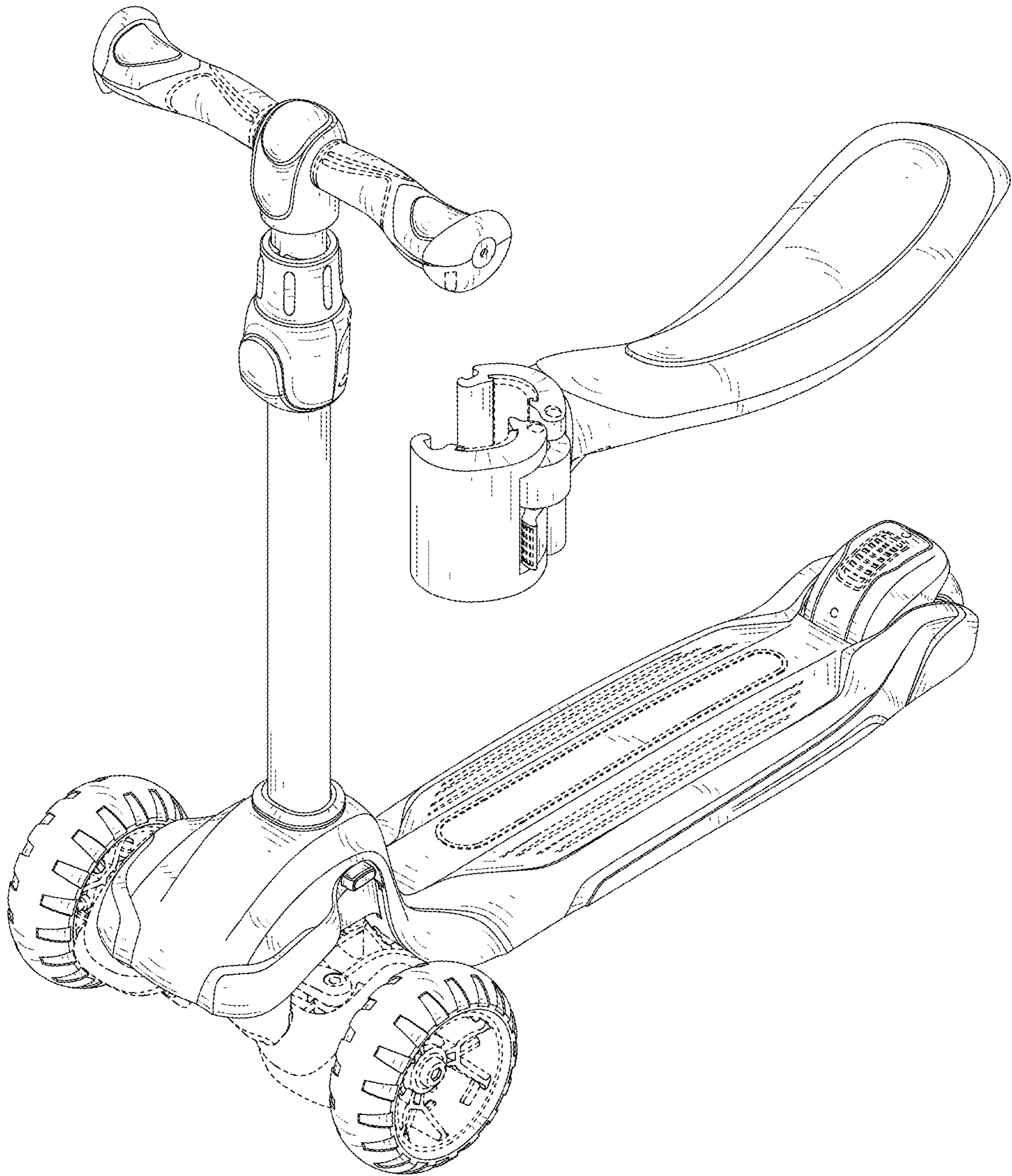


FIG. 9