



US00D908802S

(12) **United States Design Patent**  
**Holland et al.**

(10) **Patent No.:** **US D908,802 S**  
(45) **Date of Patent:** **\*\* Jan. 26, 2021**

(54) **GAMING MACHINE DISPLAY**  
(71) Applicant: **ARISTOCRAT TECHNOLOGIES AUSTRALIA PTY LIMITED**, North Ryde, NSW (AU)  
(72) Inventors: **Martin Holland**, Warriewood (AU); **Martin Mirakhour**, Castle Hill (AU); **Calvin Kim**, Strathfield (AU); **Antoneous Guirguis Tawfik**, Casula (AU); **Rajendrasinh Baneshinh Jadeja**, Las Vegas, NV (US)

D498,267 S \* 11/2004 Crouch ..... D21/370  
D508,961 S 8/2005 Gatto et al.  
D535,338 S \* 1/2007 Linard ..... D21/369  
D535,954 S 1/2007 Hwang et al.  
D560,724 S 1/2008 Johnson  
D560,725 S 1/2008 Johnson  
D564,601 S 3/2008 Strahinic et al.  
D573,417 S 7/2008 Osbourn  
D615,598 S 5/2010 McComb  
D637,595 S 5/2011 Mizusugi

(Continued)

(73) Assignee: **ARISTOCRAT TECHNOLOGIES AUSTRALIA PTY LIMITED**, North Ryde, NSW (AU)

Corrected Australian Report for App No. AU201715949, dated Dec. 15, 2017, 3 pages.

(Continued)

(\*\*) Term: **15 Years**

*Primary Examiner* — Cynthia Ramirez

*Assistant Examiner* — Michael A Maharajh

(21) Appl. No.: **29/679,388**

(74) *Attorney, Agent, or Firm* — Armstrong Teasdale LLP

(22) Filed: **Feb. 5, 2019**

**Related U.S. Application Data**

(63) Continuation of application No. 29/631,037, filed on Dec. 27, 2017, now Pat. No. Des. 843,482.

(51) **LOC (13) Cl.** ..... **21-03**

(52) **U.S. Cl.**  
USPC ..... **D21/369**

(58) **Field of Classification Search**  
USPC ..... D14/126, 127, 133, 305, 307, 336, 340, D14/371, 374, 432, 439, 450; D21/324, D21/325, 369, 370, 371, 385  
CPC ..... A63F 2009/2457; A63F 2009/241; A63F 13/00; A63F 9/24; H05K 5/0234; F16M 11/06  
See application file for complete search history.

(56) **References Cited**

**U.S. PATENT DOCUMENTS**

D306,464 S 3/1990 Axtell  
D408,458 S 4/1999 Hempel

**OTHER PUBLICATIONS**

**CLAIM**

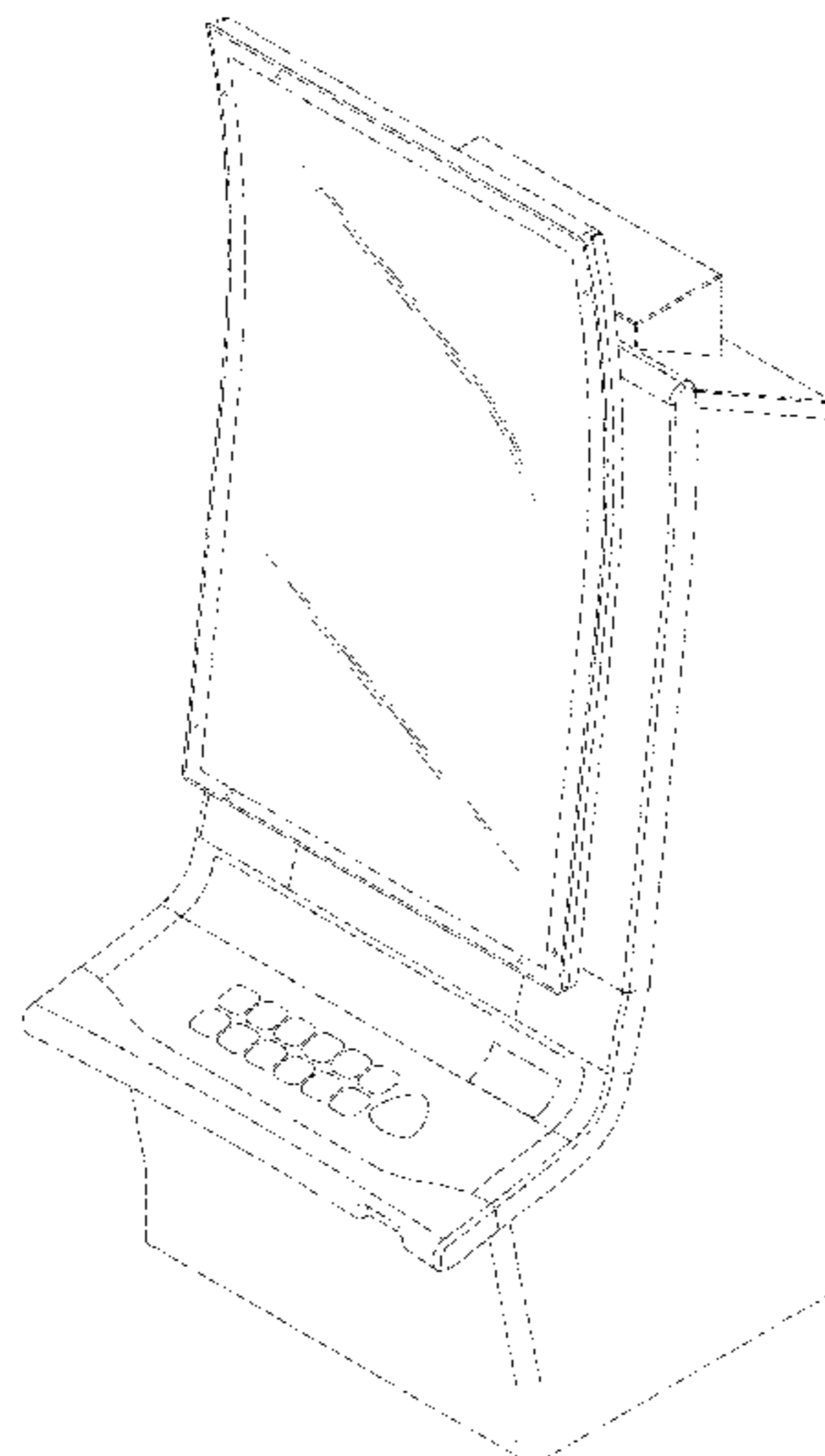
We claim the ornamental design for a gaming machine display, as shown and described.

**DESCRIPTION**

FIG. 1 is a front perspective view of a gaming machine display showing our new design; FIG. 2 is a front view thereof; FIG. 3 is a rear view thereof; FIG. 4 is a left side view thereof; FIG. 5 is a right side view thereof; FIG. 6 is a top view thereof; and, FIG. 7 is a bottom side view thereof.

The ornamental design which is claimed is shown in solid lines in the drawings. The broken lines in the drawings are for the purpose of illustrating environmental structure, which form no part of the claimed design.

**1 Claim, 7 Drawing Sheets**



(56)

References Cited

U.S. PATENT DOCUMENTS

D646,336 S 10/2011 Kelly et al.  
 D646,337 S 10/2011 Kelly et al.  
 8,226,461 B2 7/2012 Gauselmann  
 8,231,452 B2 7/2012 Suda et al.  
 D673,619 S 1/2013 Seelig  
 D673,620 S 1/2013 Johnson et al.  
 D673,621 S 1/2013 Johnson et al.  
 D678,270 S 3/2013 Song  
 D685,033 S 6/2013 Wudtke  
 D685,435 S 7/2013 Hohman et al.  
 D704,275 S 5/2014 Lesley et al.  
 D706,741 S 6/2014 Myers  
 D707,646 S 6/2014 Kim  
 D712,975 S 9/2014 Lesley et al.  
 D713,811 S 9/2014 Isaacs  
 D714,269 S 9/2014 Lee  
 D714,270 S 9/2014 Lee  
 D714,271 S 9/2014 Lee  
 D715,279 S 10/2014 Lee  
 D716,246 S 10/2014 Yun  
 8,851,989 B2 10/2014 Rosander et al.  
 D718,818 S 12/2014 Sumii  
 D719,117 S 12/2014 Huh et al.  
 D719,615 S 12/2014 Inoue et al.  
 D719,616 S 12/2014 Inoue et al.  
 D723,626 S 3/2015 Vasquez et al.  
 D724,555 S \* 3/2015 Cha ..... D14/126  
 D726,139 S 4/2015 Park  
 D726,140 S 4/2015 Park  
 D726,678 S 4/2015 Park  
 D733,088 S 6/2015 Garneau  
 D736,751 S 8/2015 Lee  
 D736,752 S 8/2015 Lee  
 D740,888 S 10/2015 DePalma  
 D742,974 S 11/2015 Lesley et al.  
 D752,535 S \* 3/2016 Kim ..... D14/126  
 D755,137 S 5/2016 Won et al.  
 D762,613 S 8/2016 Garneau  
 D763,361 S 8/2016 Rosander et al.  
 RE46,169 E 10/2016 Kelly et al.  
 D770,449 S 11/2016 Bae  
 D770,450 S 11/2016 Bae  
 D770,998 S 11/2016 Kwak  
 D771,041 S 11/2016 Bae  
 D771,628 S 11/2016 Bae  
 D774,011 S \* 12/2016 Behar ..... D14/126  
 D774,032 S \* 12/2016 Bae ..... D14/341  
 D776,112 S 1/2017 Bae  
 D776,666 S \* 1/2017 Karlsson ..... D14/432  
 D777,127 S \* 1/2017 Kim ..... D14/126  
 D780,138 S \* 2/2017 Lee ..... D14/126  
 D780,706 S 3/2017 Kim et al.  
 D784,984 S \* 4/2017 Lim ..... D14/374  
 D786,242 S 5/2017 Ho  
 D786,859 S 5/2017 Kim  
 D790,493 S 6/2017 Han et al.  
 D792,384 S 7/2017 Kim  
 D795,855 S 8/2017 Kim  
 D796,462 S 9/2017 Bang et al.  
 D797,713 S 9/2017 Kim  
 D798,253 S \* 9/2017 Kim ..... D14/126  
 D800,082 S \* 10/2017 Ahn ..... D14/126  
 D801,945 S 11/2017 Cho  
 D802,590 S 11/2017 Bae  
 D802,591 S 11/2017 Bae  
 D803,818 S 11/2017 Kim  
 D810,833 S 2/2018 Rosander et al.  
 D811,384 S 2/2018 Diasabeygunawardena

D812,146 S 3/2018 Castro et al.  
 D812,147 S 3/2018 Castro et al.  
 D812,148 S 3/2018 Castro et al.  
 D812,149 S 3/2018 Castro et al.  
 D813,954 S 3/2018 Calhoun et al.  
 D819,747 S 6/2018 Castro et al.  
 D820,915 S 6/2018 Castro et al.  
 D826,338 S 8/2018 Bussey et al.  
 D831,647 S \* 10/2018 Woo ..... D14/374  
 D832,355 S 10/2018 Castro  
 D832,356 S 10/2018 Castro  
 D832,357 S 10/2018 Castro  
 D836,164 S 12/2018 Castro  
 D836,720 S 12/2018 Kang  
 10,181,236 B2 1/2019 Goldstein  
 D842,930 S 3/2019 Johnson  
 D842,932 S \* 3/2019 Stair ..... D21/369  
 D842,933 S 3/2019 Castro  
 D843,458 S 3/2019 Castro  
 D843,459 S 3/2019 Castro  
 D843,460 S 3/2019 Castro  
 D843,461 S 3/2019 Castro  
 D843,464 S 3/2019 Castro  
 D843,465 S 3/2019 Castro  
 D843,466 S 3/2019 Castro  
 D843,467 S \* 3/2019 Johnson ..... D21/369  
 D843,468 S 3/2019 Johnson  
 D843,473 S \* 3/2019 Zedell, Jr. .... D21/369  
 D843,474 S 3/2019 Lesley  
 D843,475 S 3/2019 Lesley  
 D843,476 S 3/2019 Lesley  
 D843,477 S 3/2019 Lesley  
 D843,478 S 3/2019 Lesley  
 D843,479 S \* 3/2019 Castro ..... D21/369  
 D843,480 S \* 3/2019 Castro ..... D21/369  
 D843,482 S \* 3/2019 Holland ..... D21/396  
 D843,866 S 3/2019 Mutch  
 D844,062 S \* 3/2019 Lesley ..... D21/369  
 D846,650 S \* 4/2019 Stair ..... D21/369  
 D850,536 S 6/2019 Stair  
 D850,537 S \* 6/2019 Urban ..... D21/370  
 10,325,446 B2 6/2019 Castro  
 D858,642 S \* 9/2019 Legras ..... D21/370  
 D862,602 S 10/2019 Kariya  
 D870,820 S \* 12/2019 Urban ..... D21/369  
 D871,507 S \* 12/2019 Urban ..... D21/369  
 D872,085 S \* 1/2020 Lee ..... D14/374  
 D872,190 S \* 1/2020 Zedell, Jr. .... D21/369  
 D873,826 S \* 1/2020 Yang ..... D14/374  
 10,593,152 B1 \* 3/2020 Schwartz ..... G07F 17/3239  
 10,600,286 B2 \* 3/2020 Marks ..... G07F 17/3262  
 D880,611 S \* 4/2020 Glenn, II ..... D21/369  
 D881,285 S \* 4/2020 Glenn ..... D21/369  
 10,621,829 B2 \* 4/2020 Loader ..... G07F 17/3269  
 2013/0278875 A1 10/2013 Kim  
 2016/0093143 A1 3/2016 Lamb  
 2018/0075689 A1 3/2018 Castro  
 2018/0078854 A1 3/2018 Achmueller  
 2019/0362590 A1 \* 11/2019 Froy ..... G07F 17/3211  
 2020/0111295 A1 \* 4/2020 Glenn ..... G02B 6/0028

OTHER PUBLICATIONS

Australian Design Examination Report No. 2 for App No. AU201715949, dated Mar. 6, 2018, 2 pages.  
 Australian Design Examination Report No. 3 for App No. AU201715949, dated May 21, 2018, 2 pages.  
 Australian Design Examination Report No. 4 for App No. AU201715949, dated Jun. 8, 2018, 2 pages.

\* cited by examiner



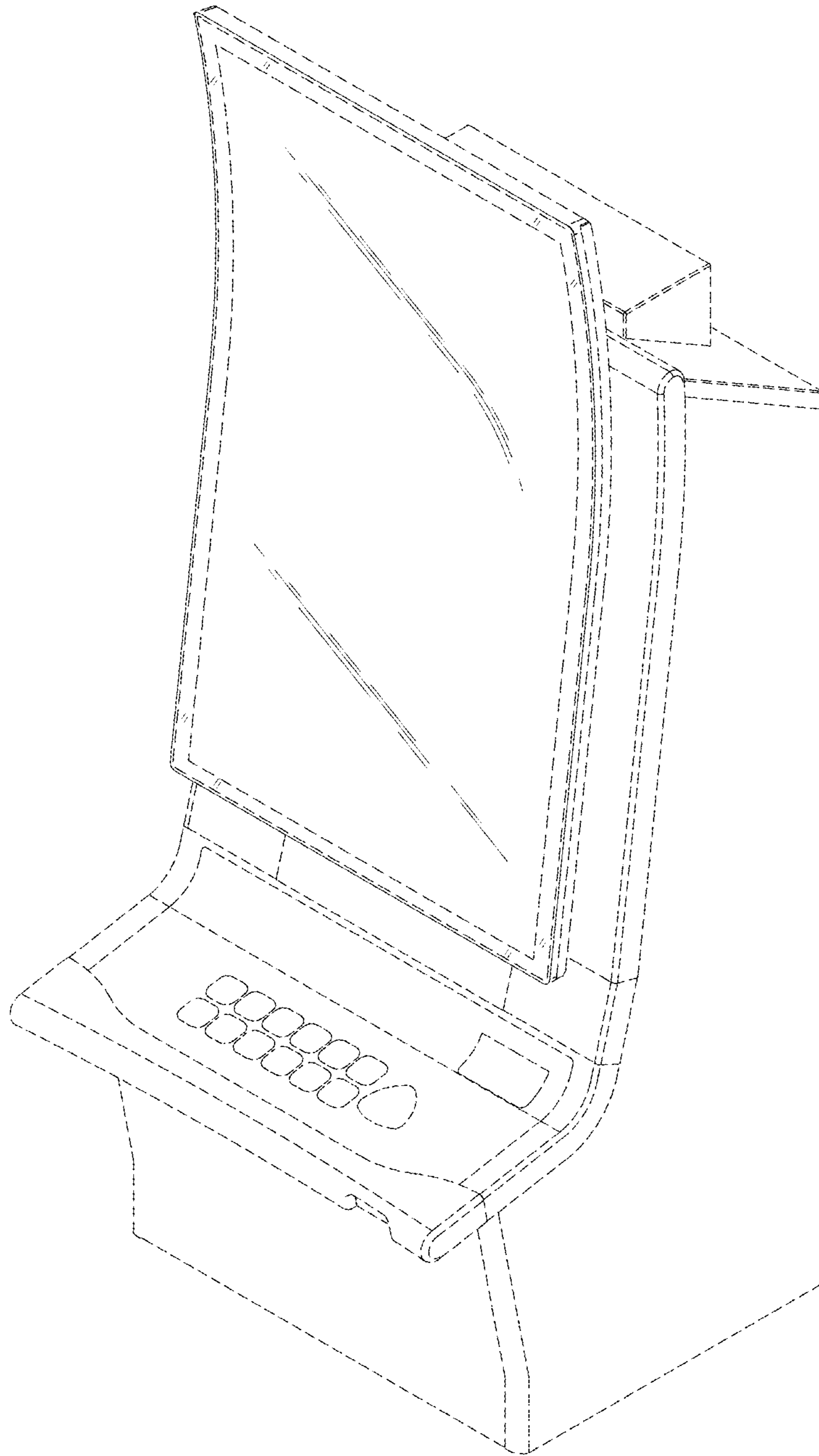


FIG. 1

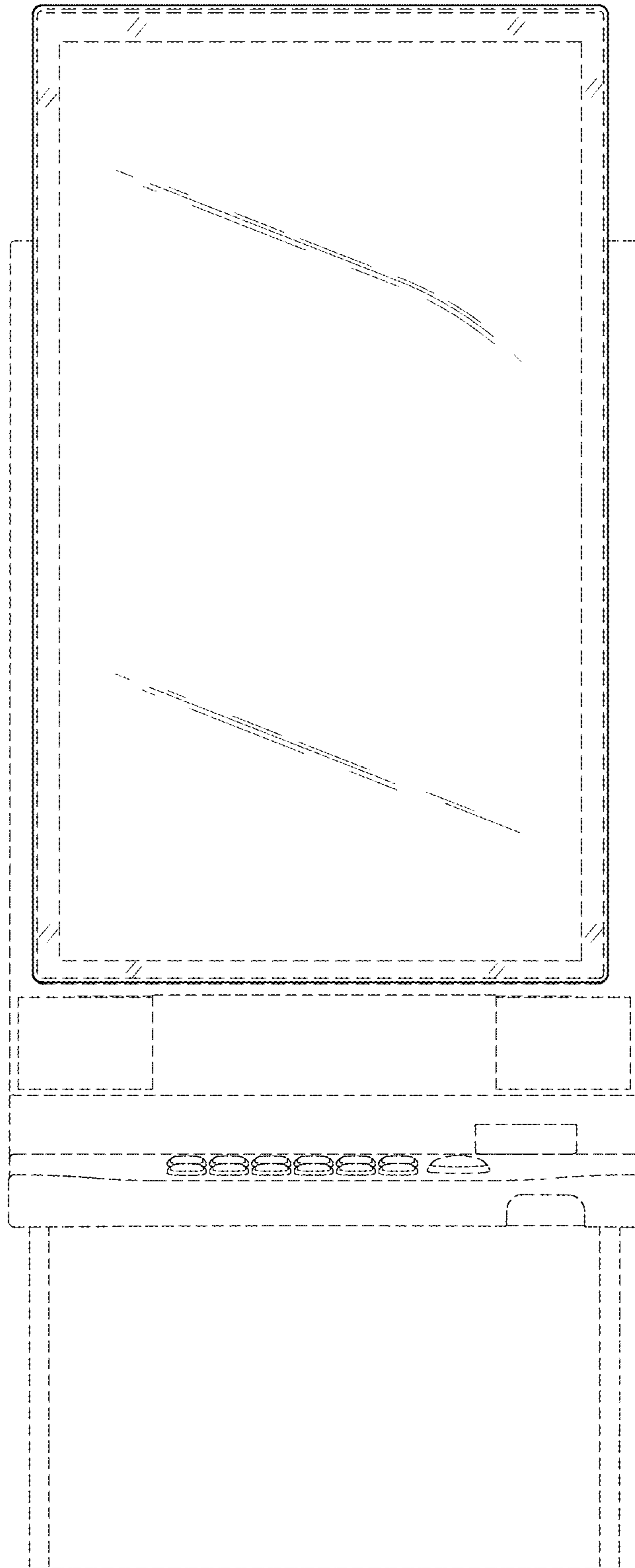


FIG. 2

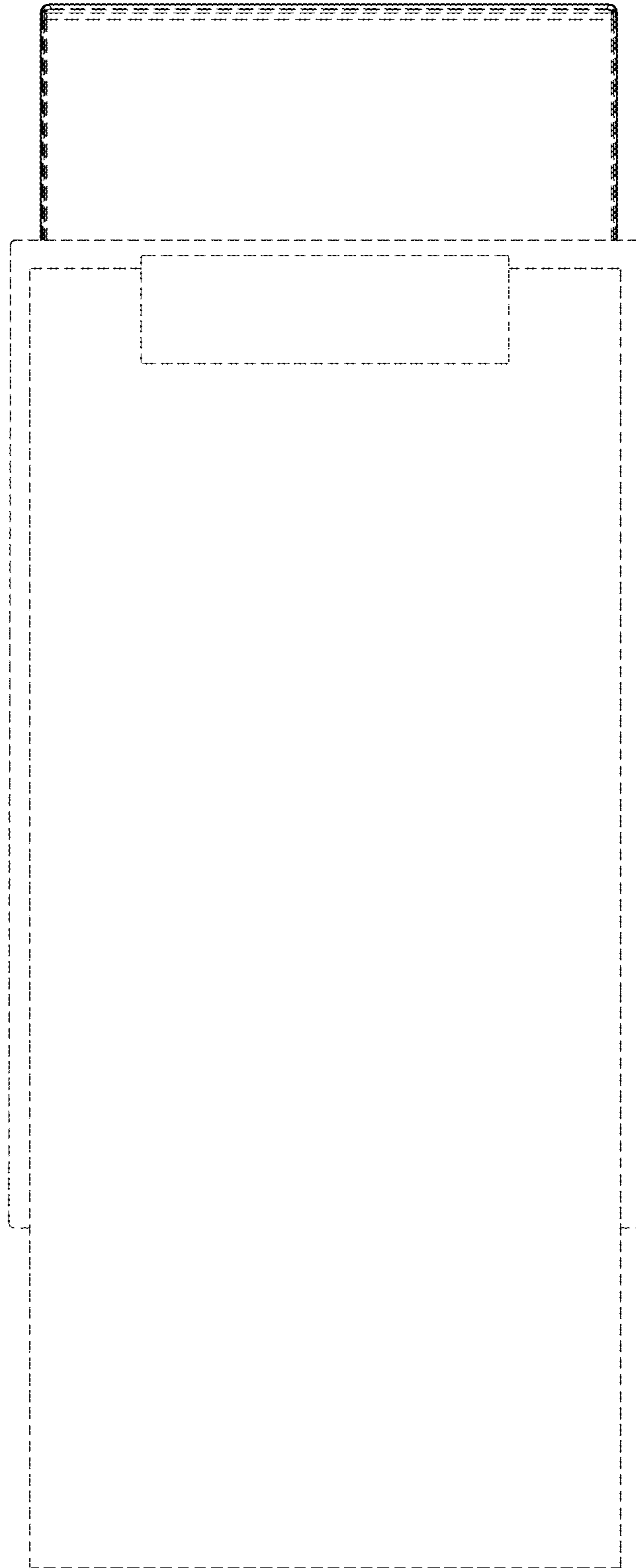


FIG. 3

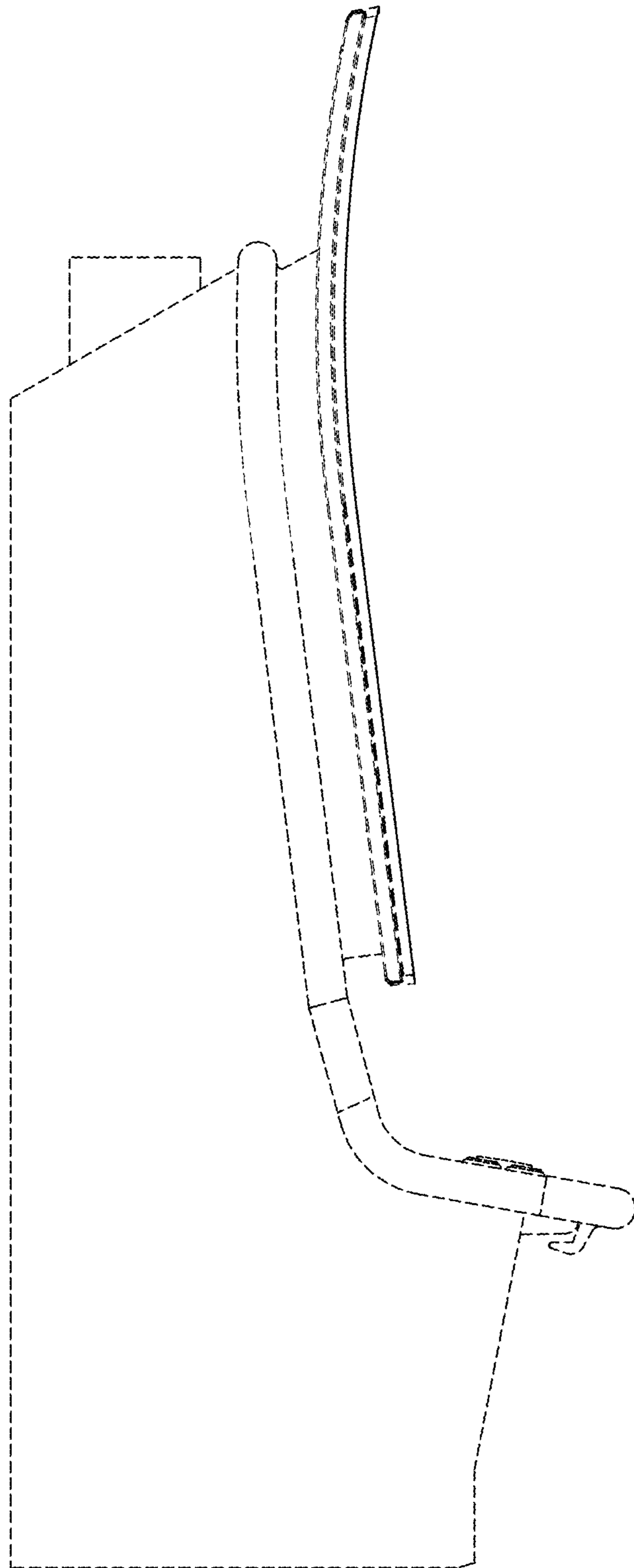


FIG. 4

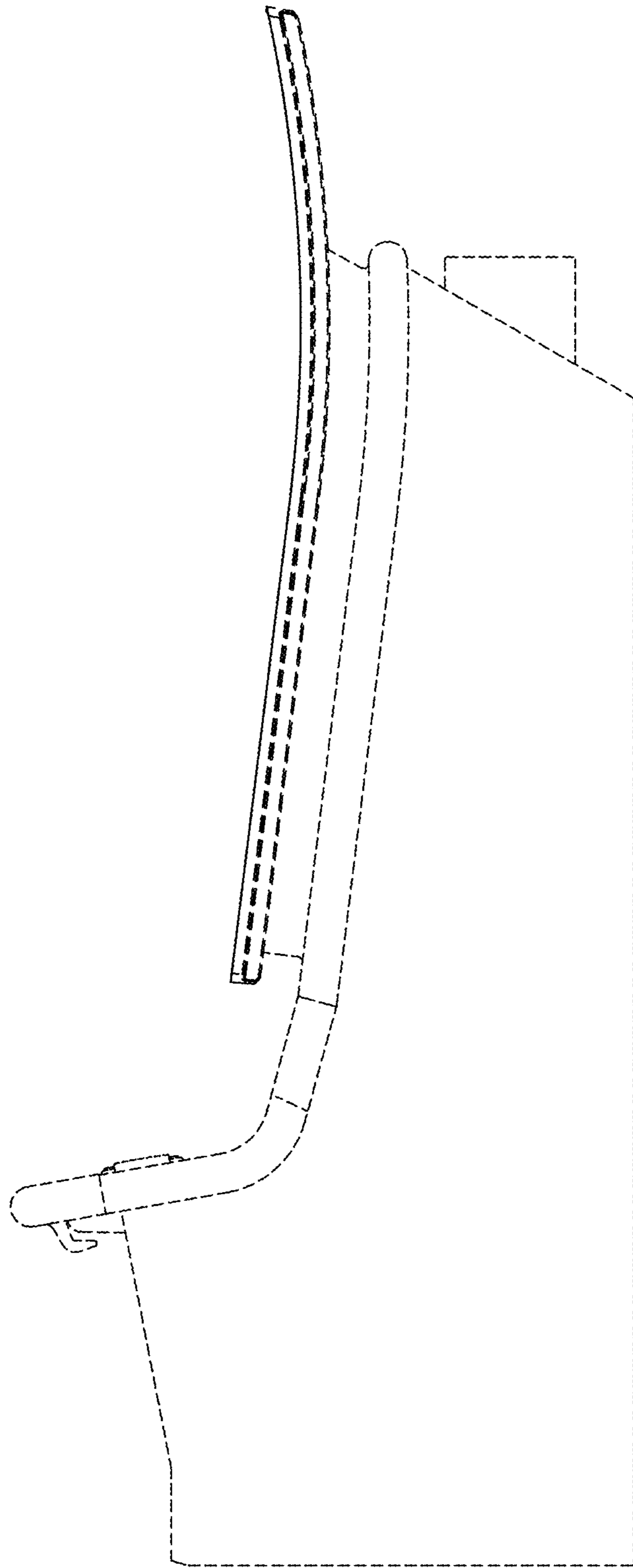


FIG. 5

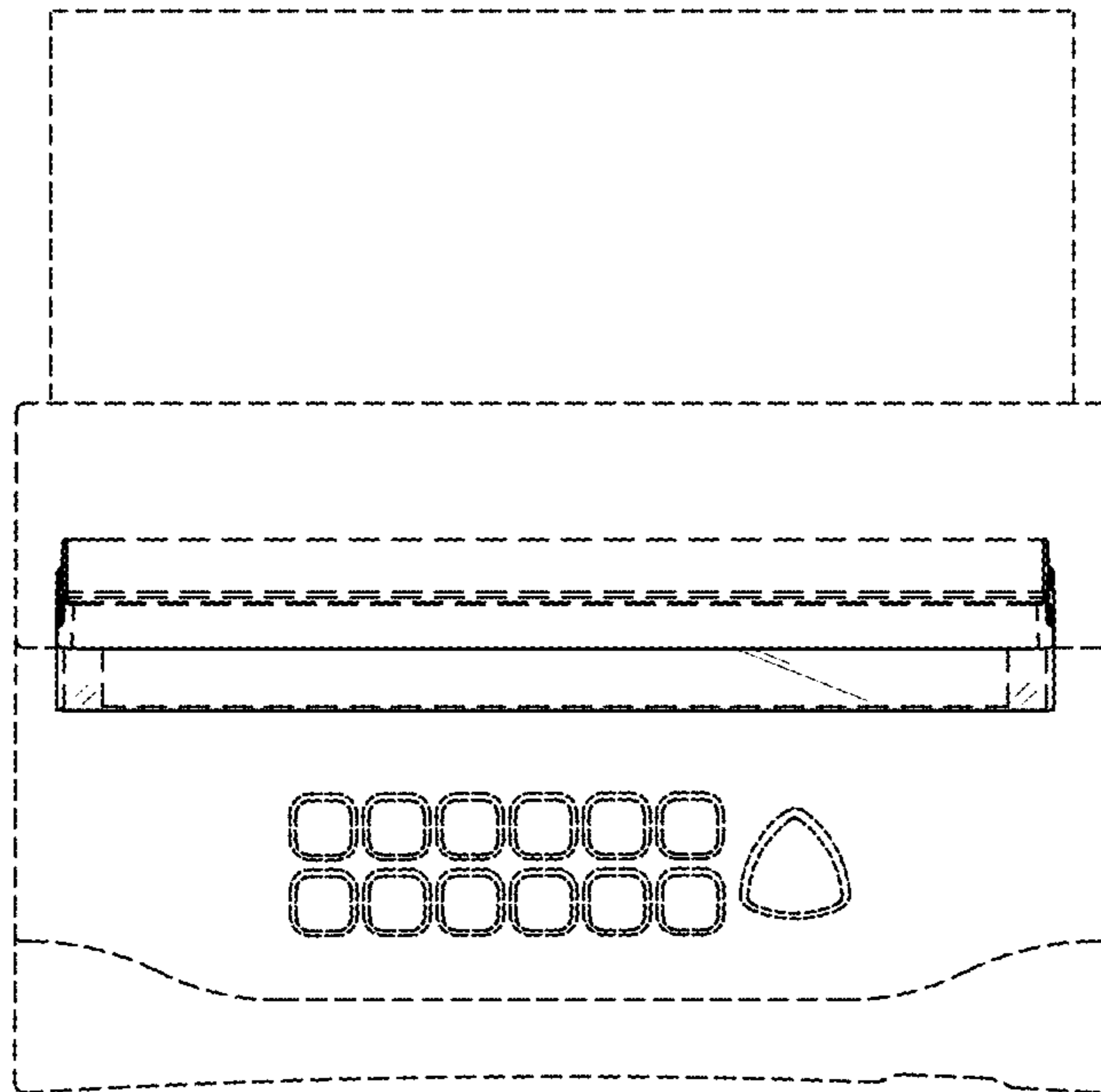


FIG. 6



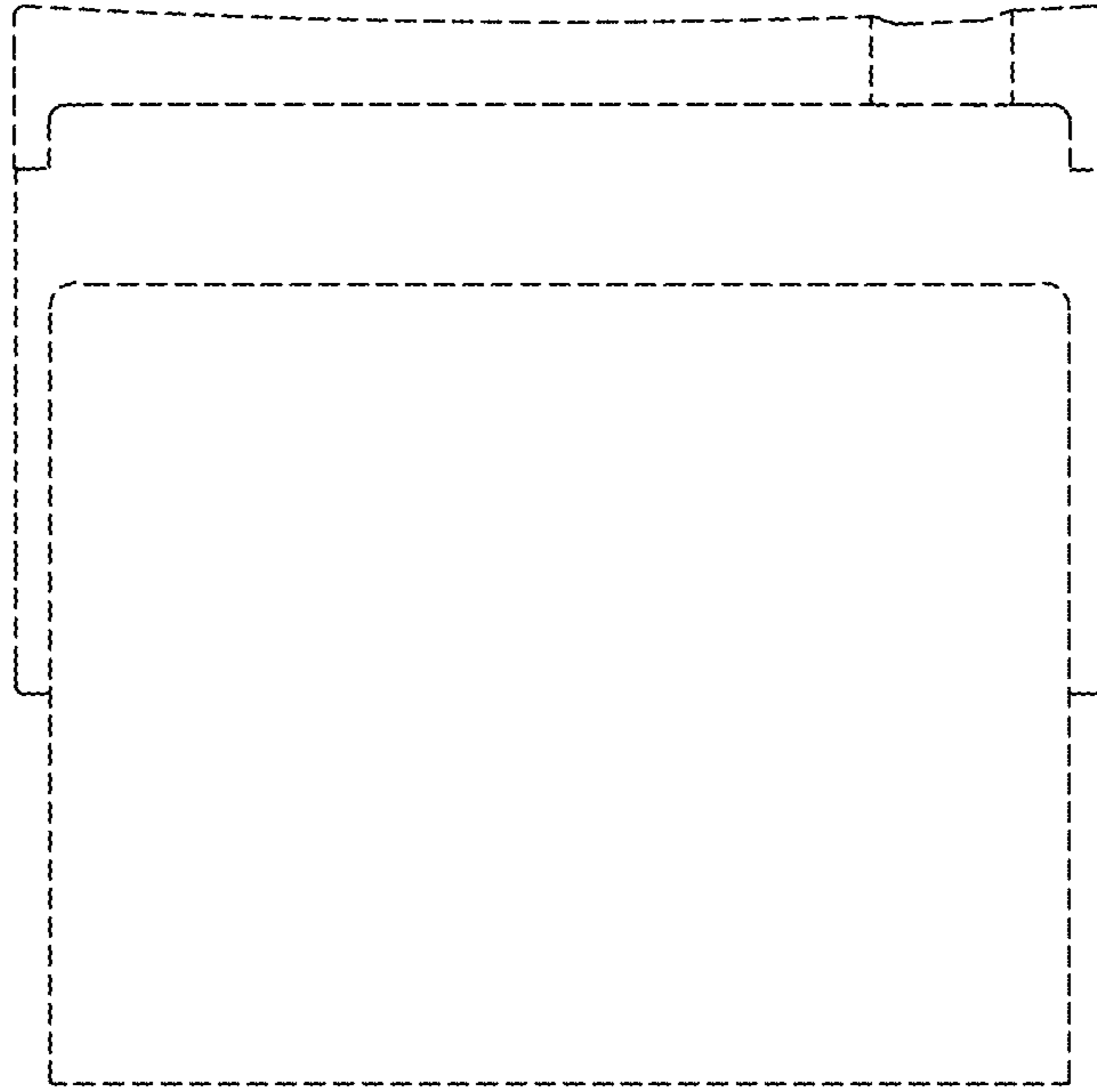


FIG. 7