



US00D908800S

(12) **United States Design Patent**  
**Tang**

(10) **Patent No.:** **US D908,800 S**

(45) **Date of Patent:** **\*\* Jan. 26, 2021**

(54) **GAME CONTROLLER**

(71) Applicant: **SHENZHEN TARGETEVER TECHNOLOGY CO., LTD**, Shenzhen (CN)

(72) Inventor: **Xiancheng Tang**, Shenzhen (CN)

(\*\*) Term: **15 Years**

(21) Appl. No.: **29/697,611**

(22) Filed: **Jul. 10, 2019**

(51) **LOC (13) Cl.** ..... **30-99**

(52) **U.S. Cl.**  
USPC ..... **D21/333**

(58) **Field of Classification Search**  
USPC ..... D21/324–29, 330, 331, 333, 341, 342, D21/349, 386; D14/174, 177, 190, 203.5, D14/218, 250, 299, 322, 341, 345, 346, D14/353, 354, 356, 374, 375, 376, D14/387–401, 421, 432, 440, 443, 463, D14/474, 483, 493, 496, 511; D22/100, D22/103–105; D13/162, 162.1, 168; D10/78, 98, 103

CPC ..... A45C 13/00; A45C 13/001; A45C 13/002; A63F 13/10; A63F 13/98; A63F 13/24; A63F 9/0291; A63F 13/06; G06F 3/0338; G06F 3/014; G06F 3/0346; G06T 7/246  
See application file for complete search history.

(56) **References Cited**

**U.S. PATENT DOCUMENTS**

D478,589 S *	8/2003	Hussaini	.....	D14/401
D478,590 S *	8/2003	Hussaini	.....	D14/401
D694,830 S *	12/2013	Crowley	.....	D21/333
D700,182 S *	2/2014	Kidakarn	.....	D14/401
D708,615 S *	7/2014	Delrue	.....	D14/401
D709,499 S *	7/2014	Morris	.....	D14/401
D709,882 S *	7/2014	Morris	.....	D14/401
D794,129 S *	8/2017	Kujawski	.....	D21/333

D794,717 S *	8/2017	Kujawski	.....	D21/333
D795,960 S *	8/2017	Chatterjee	.....	D21/333
D798,954 S *	10/2017	Chatterjee	.....	D21/333
D799,599 S *	10/2017	Kujawski	.....	D21/333
D808,968 S *	1/2018	Tang	.....	D14/401
D819,641 S *	6/2018	Tsuchiya	.....	D14/401
D847,265 S *	4/2019	Chatterjee	.....	D21/333
D847,903 S *	5/2019	Chatterjee	.....	D21/333
D847,904 S *	5/2019	Chatterjee	.....	D21/333
D850,447 S *	6/2019	Fulghum	.....	D14/401
D855,703 S *	8/2019	Chatterjee	.....	D21/333
D870,816 S *	12/2019	Morris	.....	D21/333
D882,690 S *	4/2020	Tsuchiya	.....	D21/333
D882,691 S *	4/2020	Tsuchiya	.....	D21/333
2010/0298053 A1 *	11/2010	Kotkin	.....	A63F 13/24 463/37
2016/0361635 A1 *	12/2016	Schmitz	.....	A63F 13/218
2018/0104574 A1 *	4/2018	Tager	.....	A63F 13/22

(Continued)

*Primary Examiner* — Sandra Snapp  
*Assistant Examiner* — Mehri Bajoul  
(74) *Attorney, Agent, or Firm* — W&K IP

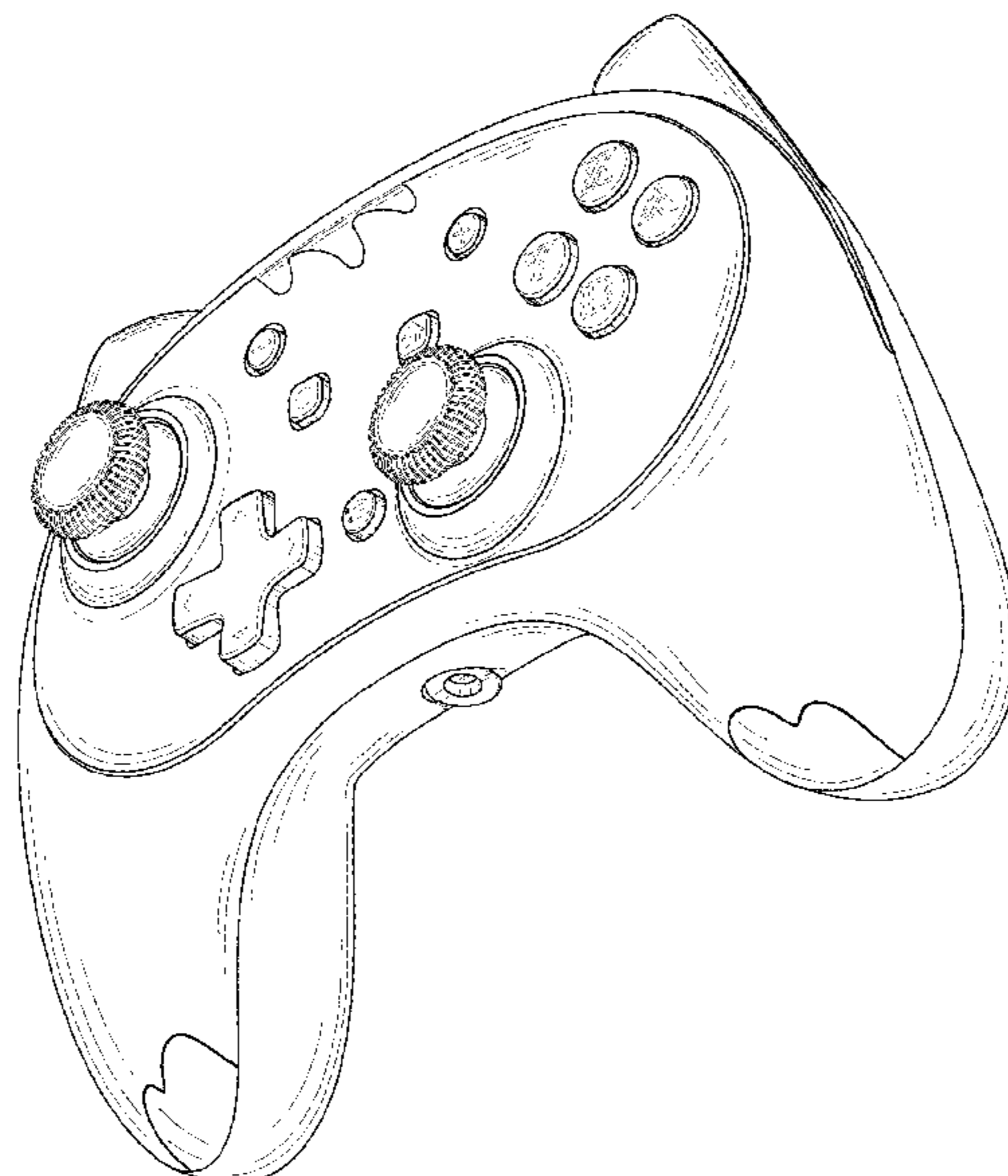
(57) **CLAIM**

The ornamental design for a game controller, as shown and described.

**DESCRIPTION**

FIG. 1 is a perspective view of a game controller showing my new design;  
FIG. 2 is another perspective view thereof;  
FIG. 3 is a front view thereof;  
FIG. 4 is a rear view thereof;  
FIG. 5 is a left side view thereof;  
FIG. 6 is a right side view thereof;  
FIG. 7 is a top plan view thereof; and,  
FIG. 8 is a bottom plan view thereof.  
The broken lines are for the purposes of illustrating portions of the game controller and form no part of the claimed design.

**1 Claim, 8 Drawing Sheets**



(56)

**References Cited**

U.S. PATENT DOCUMENTS

2018/0207523 A1\* 7/2018 Lyden ..... A63F 13/214  
2018/0333641 A1\* 11/2018 Strahle ..... A63F 13/24  
2018/0353850 A1\* 12/2018 Strahle ..... A63F 13/22

\* cited by examiner



FIG. 1

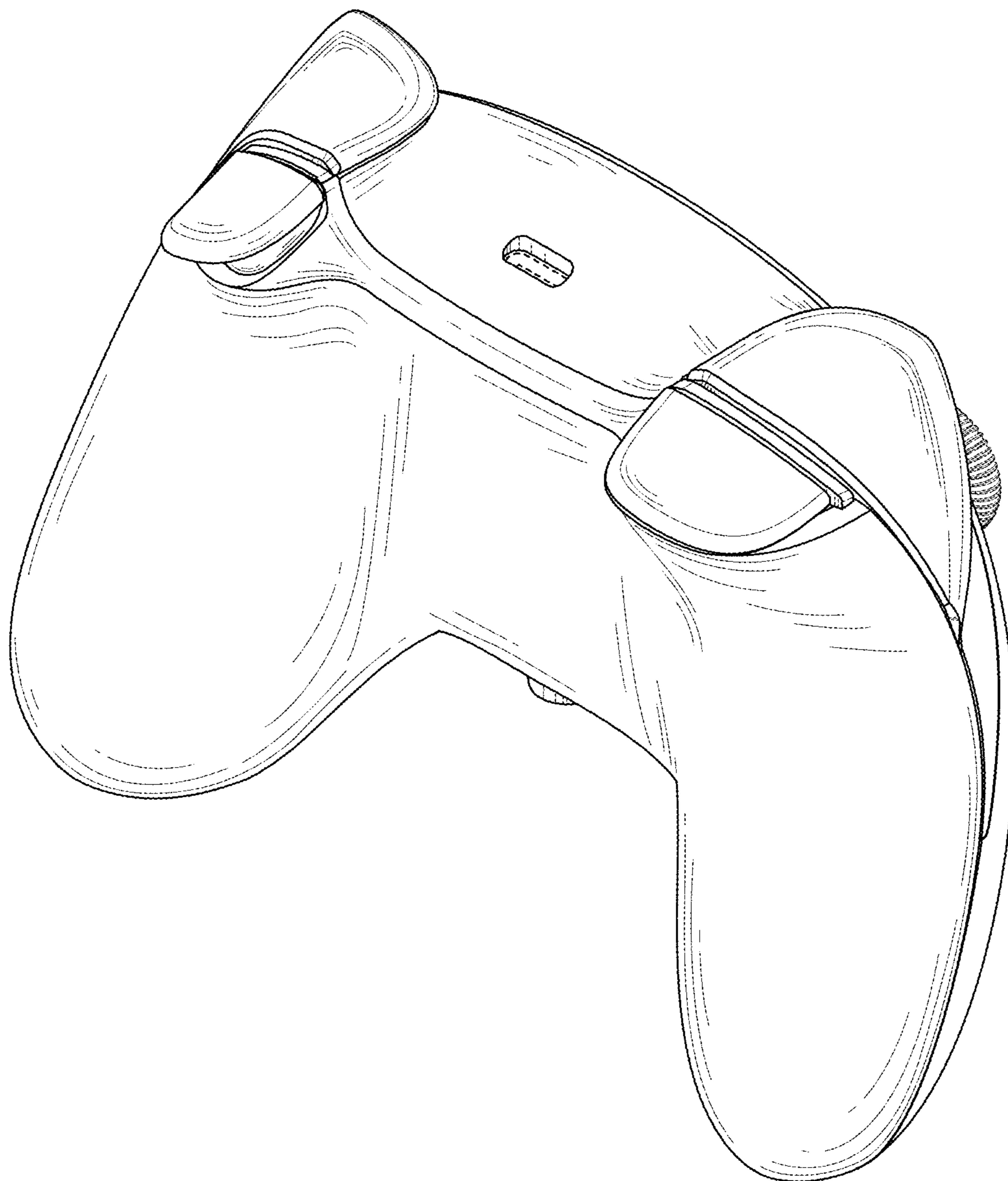


FIG. 2

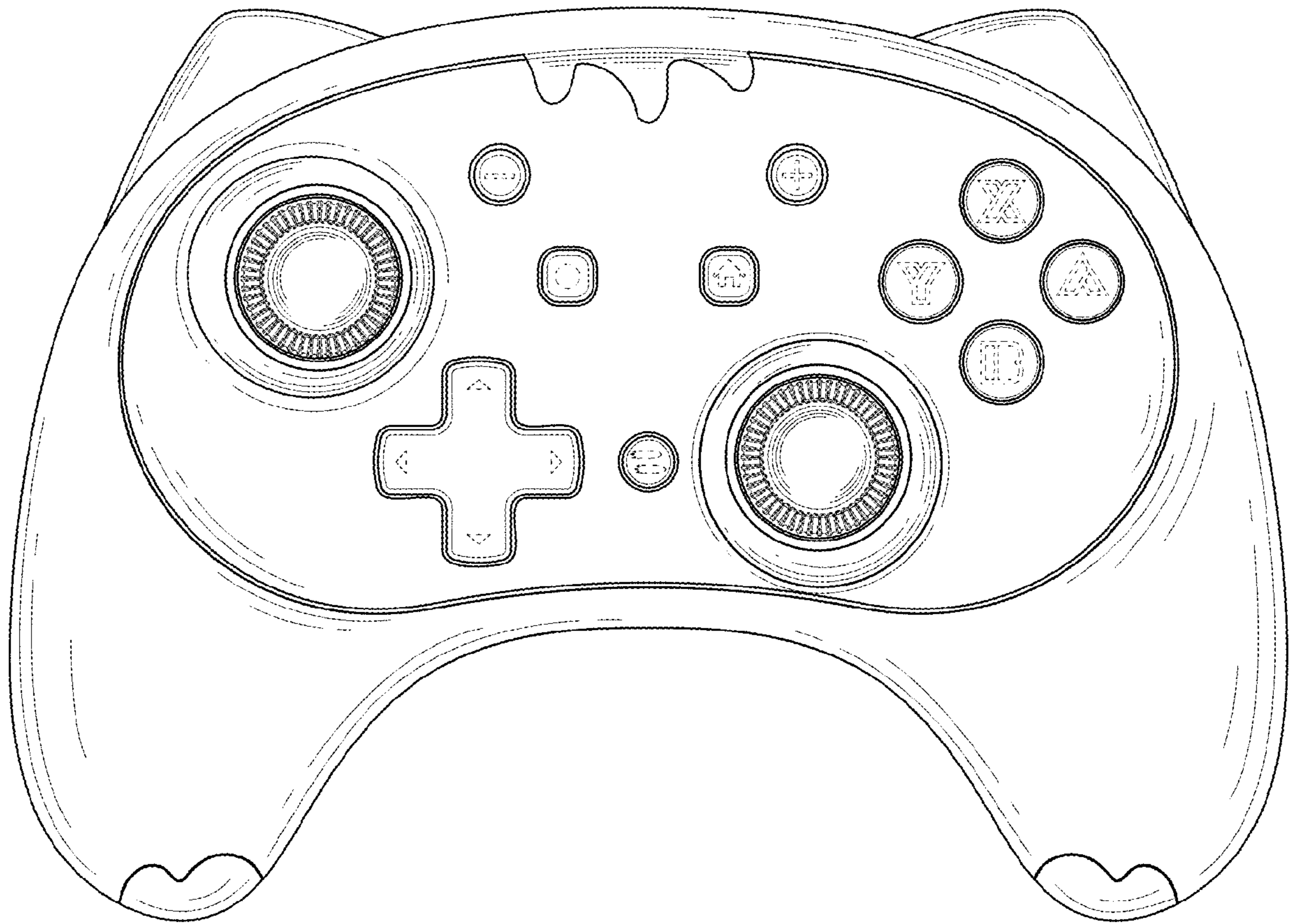


FIG. 3

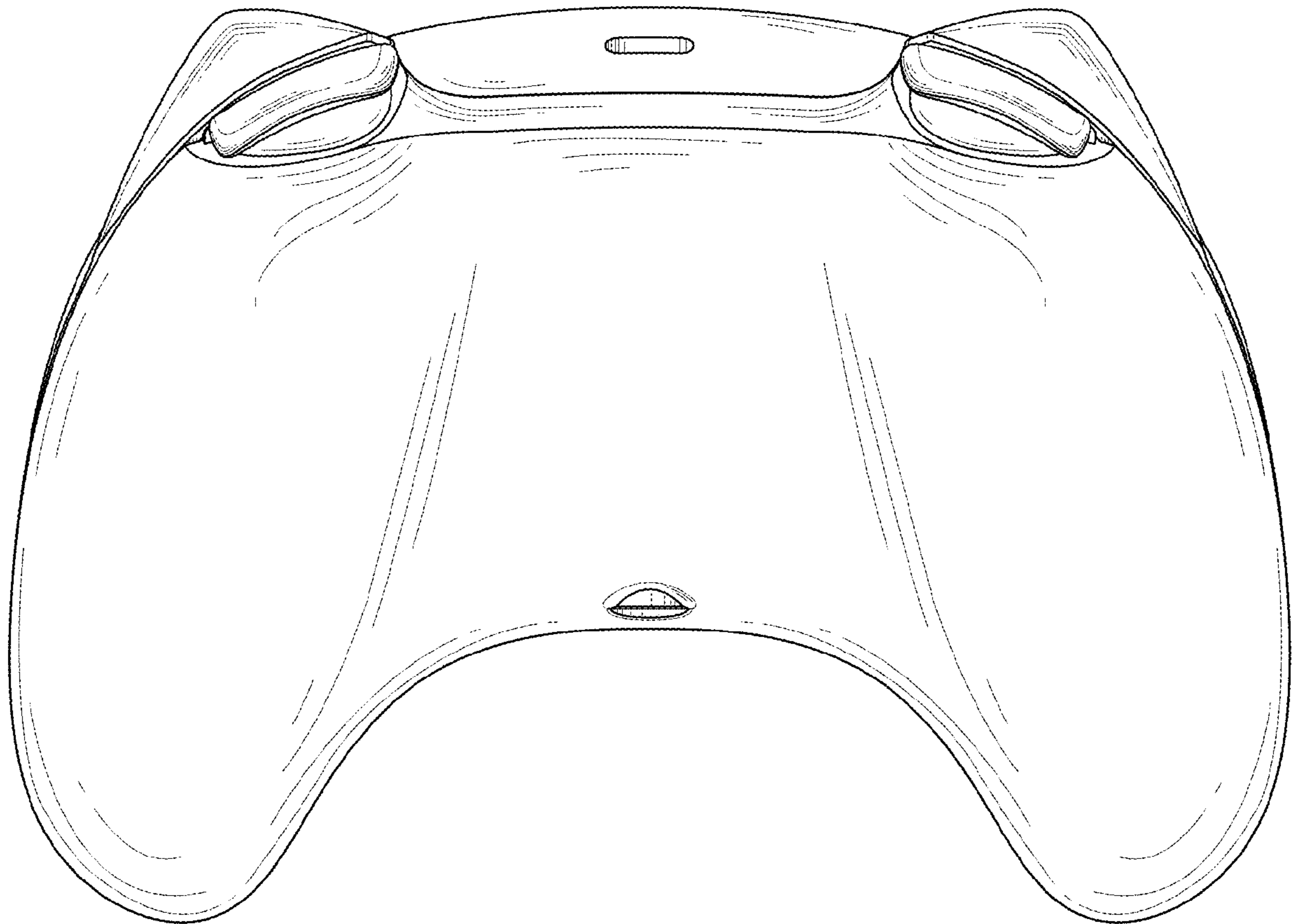


FIG. 4

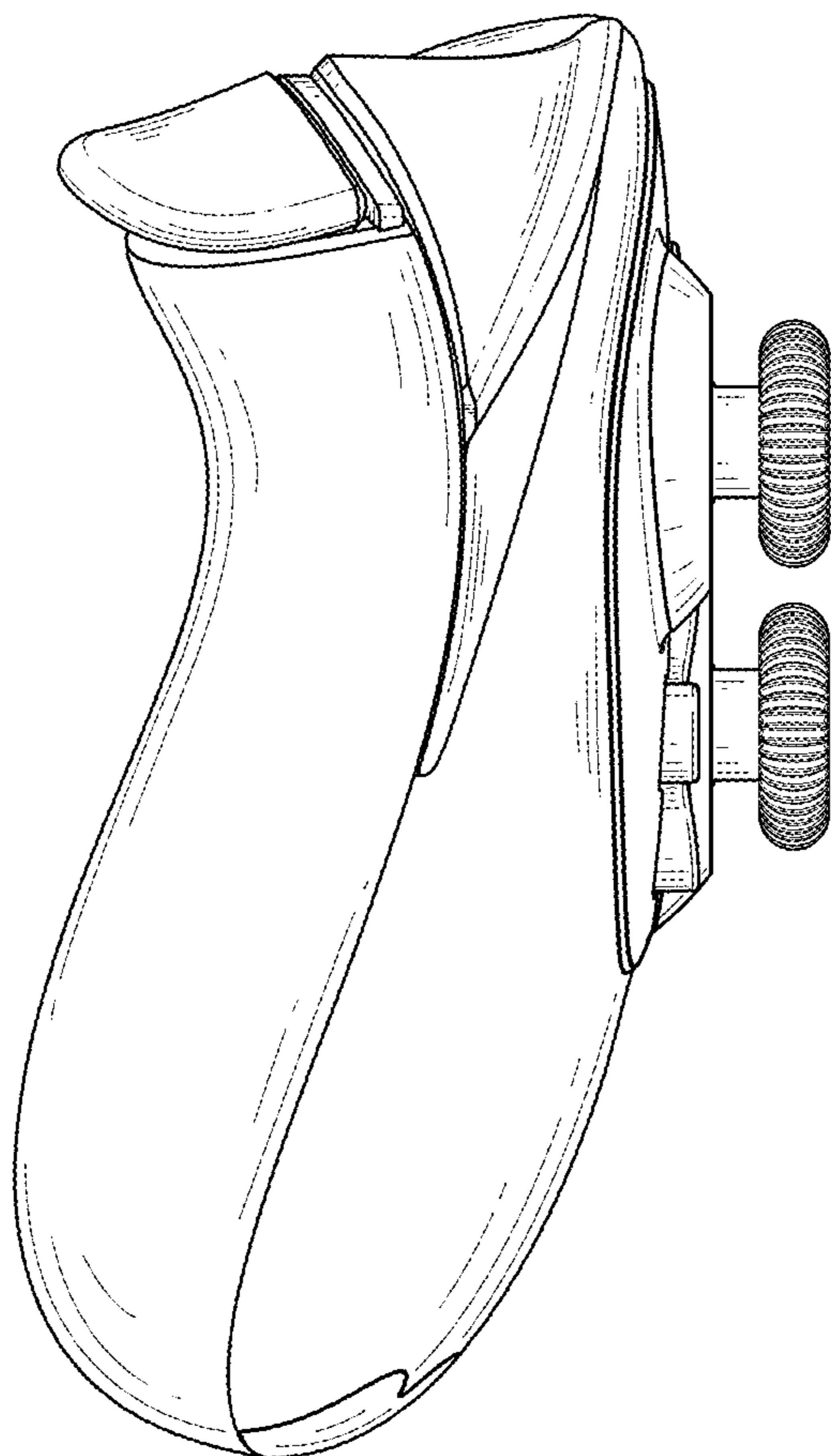


FIG. 5

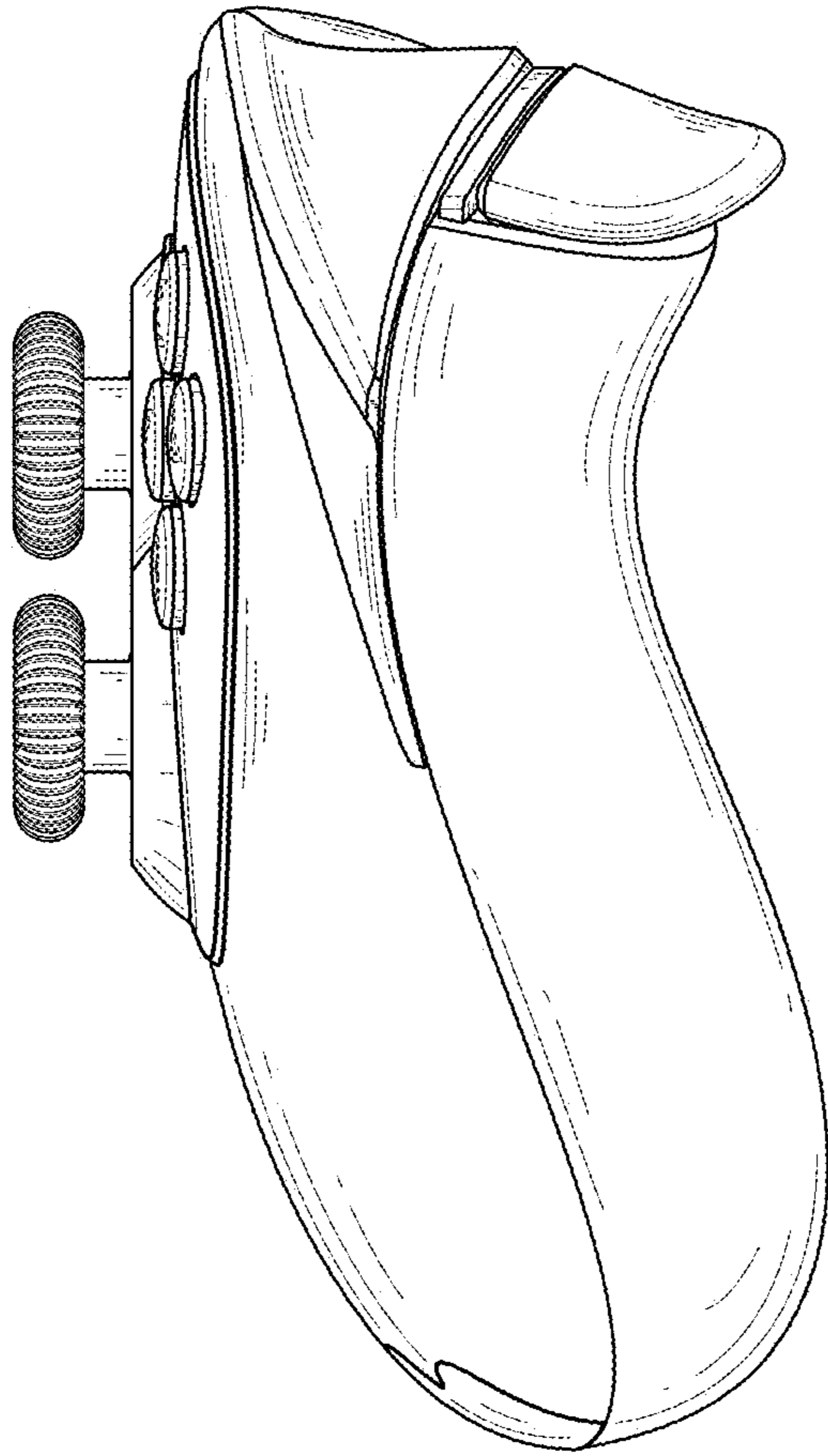


FIG. 6



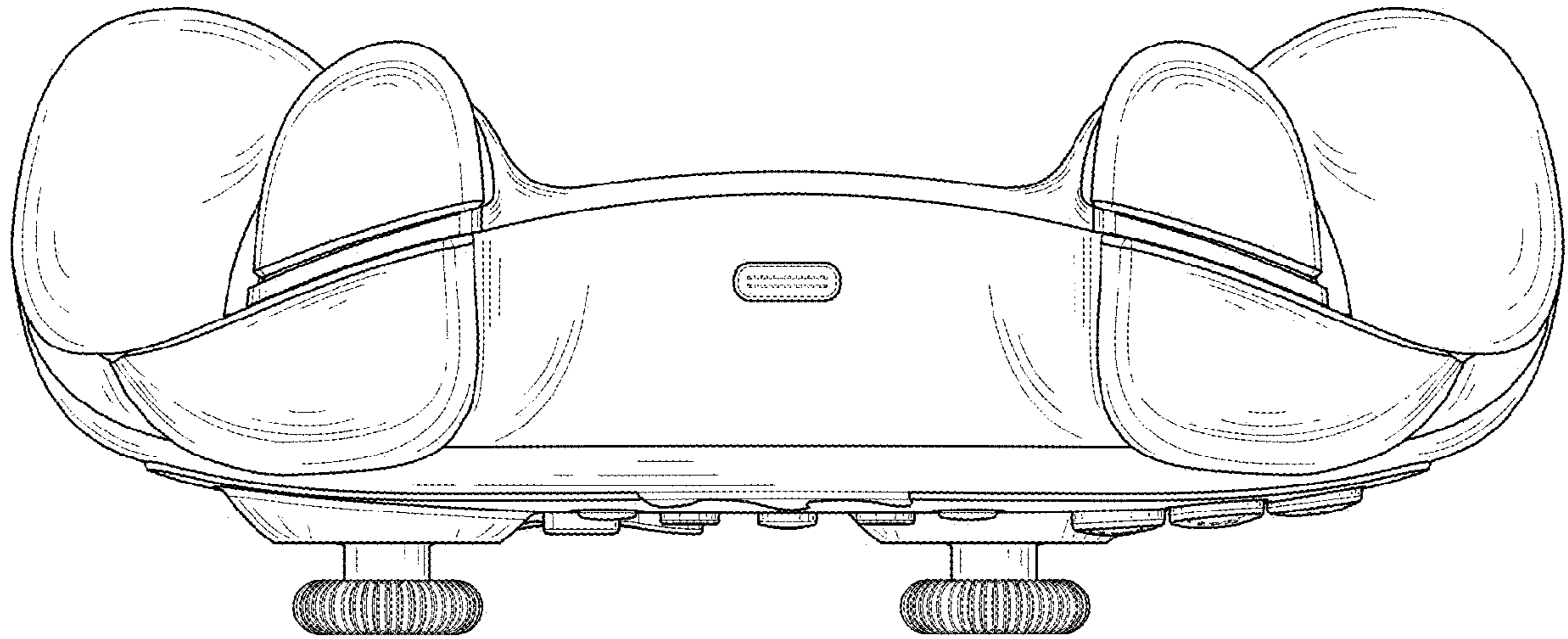


FIG. 7

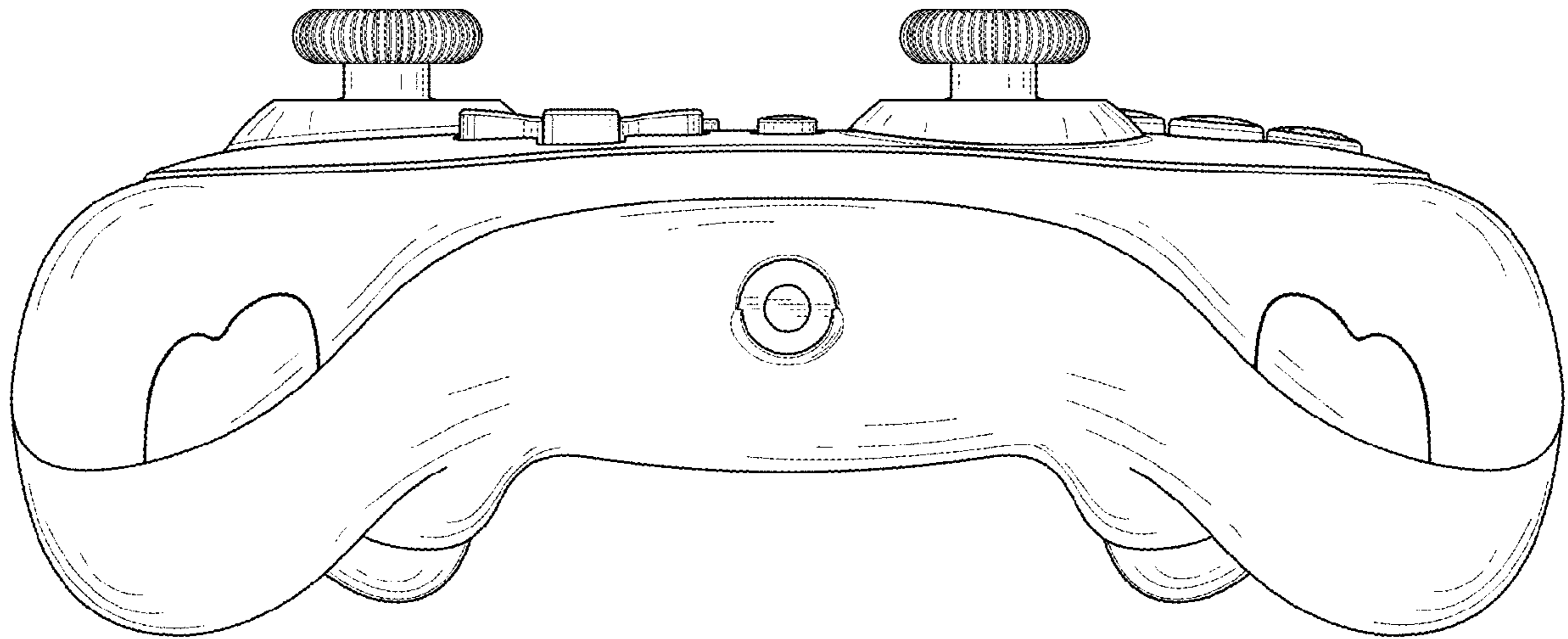


FIG. 8