



US00D908799S

(12) **United States Design Patent**
Weng

(10) **Patent No.:** **US D908,799 S**
(45) **Date of Patent:** **** Jan. 26, 2021**

(54) **PROTECTIVE CASE FOR ELECTRONIC GAME**

(71) Applicant: **Shenzhen Guangyipeng Technology Co., Ltd.**, Guangdong (CN)

(72) Inventor: **Jie Weng**, Guangdong (CN)

(73) Assignee: **Shenzhen Guangyipeng Technology Co., Ltd.**, Shenzhen (CN)

(**) Term: **15 Years**

(21) Appl. No.: **29/691,776**

(22) Filed: **May 20, 2019**

(51) **LOC (13) Cl.** **21-01**

(52) **U.S. Cl.**
USPC **D21/333**

(58) **Field of Classification Search**
USPC D21/324, 328, 329, 330, 331, 333, 341, D21/342, 349, 386; D14/218, 250, 299, D14/322, 341, 345, 346, 353, 354, 374, D14/375, 376, 421, 432, 440, 443, 463
CPC A45C 13/00; A45C 13/001; A45C 13/002; A63F 13/10; A63F 13/98; A63F 13/24; A63F 9/0291

See application file for complete search history.

(56) **References Cited**

U.S. PATENT DOCUMENTS

D626,123 S *	10/2010	Peng	D14/324
D733,154 S *	6/2015	Armstrong	D14/440
D766,249 S *	9/2016	Veltz	D14/440
D794,625 S *	8/2017	Armstrong	D14/250
D797,196 S *	9/2017	Buller	D21/333
D843,364 S *	3/2019	Sasaki	D14/250
D853,402 S *	7/2019	Yang	D14/440
D854,023 S *	7/2019	Yang	D14/440

(Continued)

OTHER PUBLICATIONS

“Nintendo Console”, posted Jul. 7, 2019[Online], [retrieved Jul. 14, 2020]. Retrieved from Internet, <https://www.amazon.ca/Protective->

Nintendo-Console-Comfort-Kickstand/product-reviews/B07TBFNM5X/ref=cm_cr_getr_d_paging_btm_next_3?ie=UTF8&reviewerType=all_reviews&sortBy=recent&pageNumber=3.*

Primary Examiner — Sandra Snapp
Assistant Examiner — Mehri Bajoul

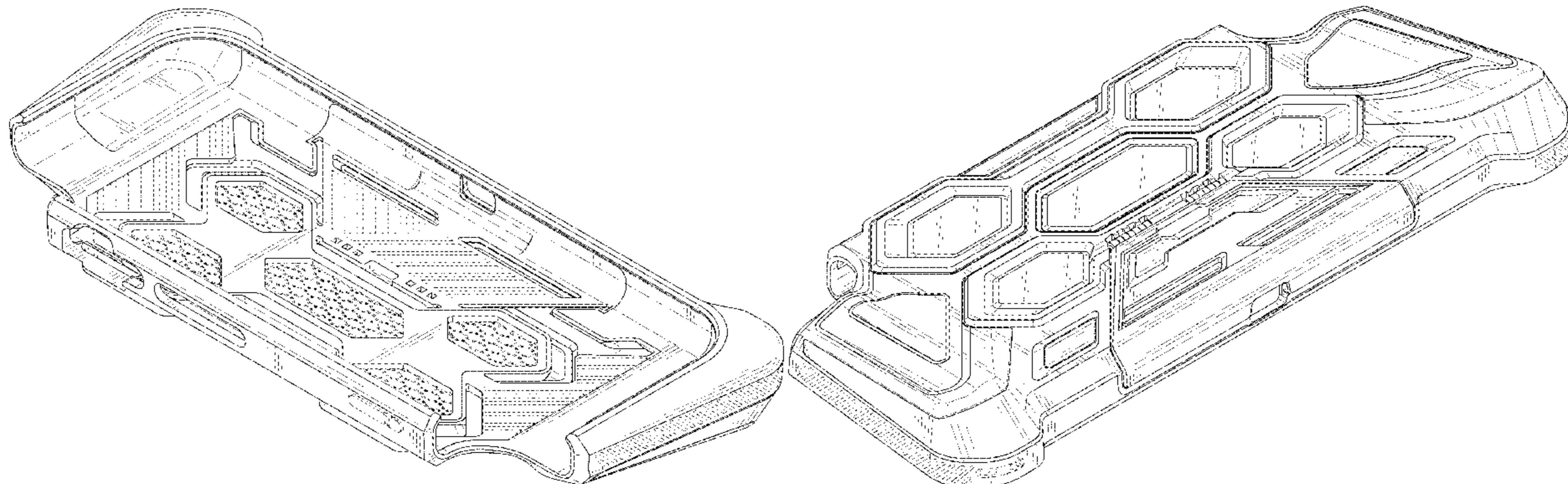
(57) **CLAIM**

The ornamental design for a protective case for electronic game, as shown and described.

DESCRIPTION

FIG. 1 is a top, front and left side perspective view of a protective case for electronic game showing my new design; FIG. 2 is a bottom, front and left side perspective view thereof; FIG. 3 is a bottom, rear and right side perspective view thereof; FIG. 4 is a top, rear and right side perspective view thereof; FIG. 5 is a front elevational view thereof; FIG. 6 is a rear elevational view thereof; FIG. 7 is a left side view thereof; FIG. 8 is a right side view thereof; FIG. 9 is a top plan view thereof; FIG. 10 is a bottom plan view thereof; FIG. 11 is a top, rear and left side perspective view showing the protective case for electronic game in a use state, wherein a game controller is mounted in the protective case for electronic game; and, FIG. 12 is a bottom, rear and right side perspective view showing the protective case for electronic game in a use state. The broken lines in FIG. 11 showing a game controller mounted within the protective case for electronic game depict environmental structure and form no part of the claimed design. The remaining broken lines, throughout the drawings, depict portions of the protective case for electronic game that form no part of the claimed design.

1 Claim, 12 Drawing Sheets



(56)

References Cited

U.S. PATENT DOCUMENTS

D856,956	S	*	8/2019	Liu	D14/138	R
D863,286	S	*	10/2019	Hong	D14/250	
D868,052	S	*	11/2019	Jia	D14/250	
D868,053	S	*	11/2019	Gao	D14/250	
D868,788	S	*	12/2019	Weng	D14/440	
D868,789	S	*	12/2019	Weng	D14/440	
D875,834	S	*	2/2020	Tien	D21/333	
D876,420	S	*	2/2020	Armstrong	D14/250	
D876,421	S	*	2/2020	Armstrong	D14/250	
D877,727	S	*	3/2020	Armstrong	D14/250	
D879,083	S	*	3/2020	Feng	D14/250	
D881,992	S	*	4/2020	Liu	D21/333	
D888,031	S	*	6/2020	Armstrong	D14/250	
D888,032	S	*	6/2020	Armstrong	D14/250	
2017/0045920	A1	*	2/2017	Armstrong	G06F 1/1669	

* cited by examiner

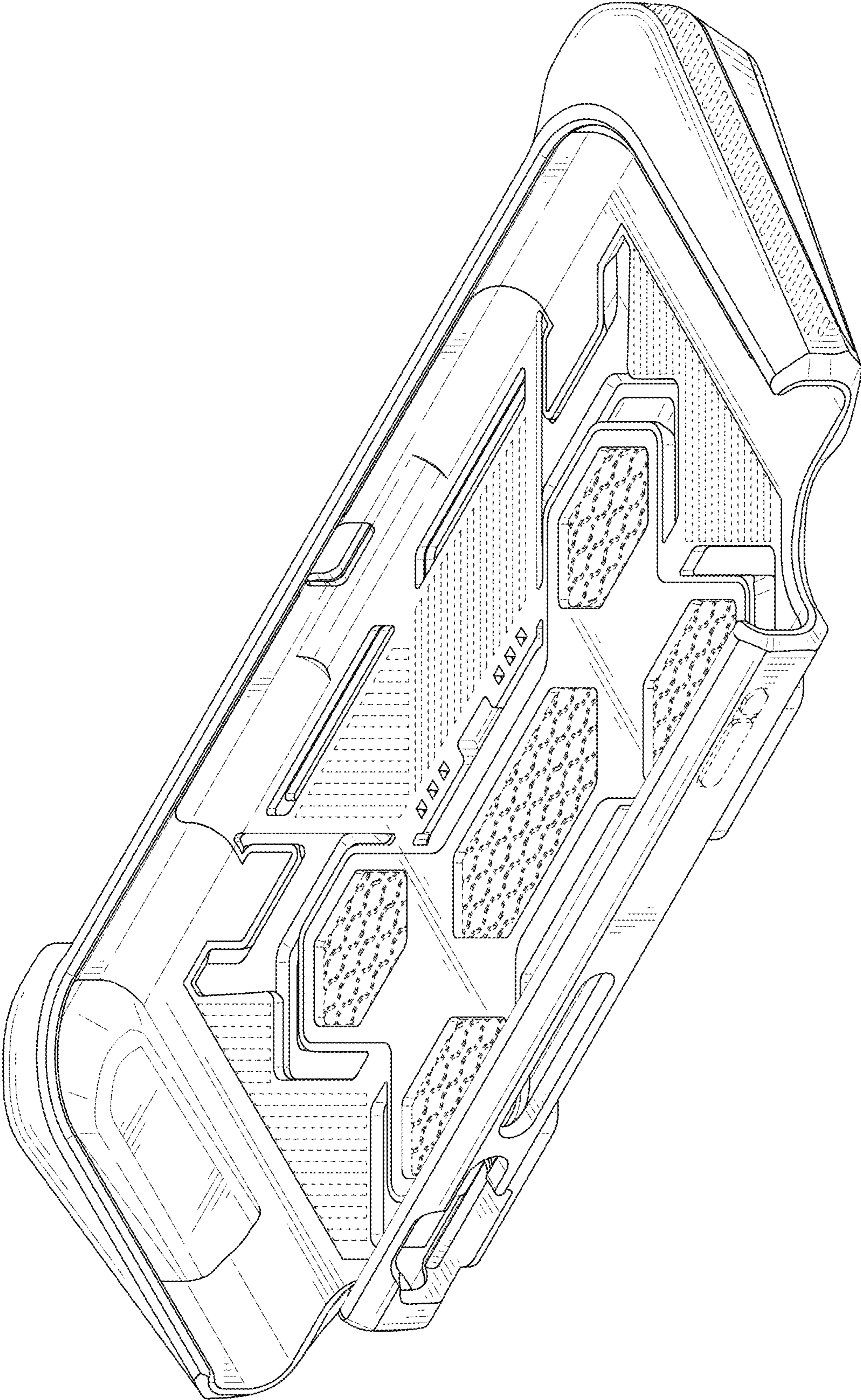


FIG. 1

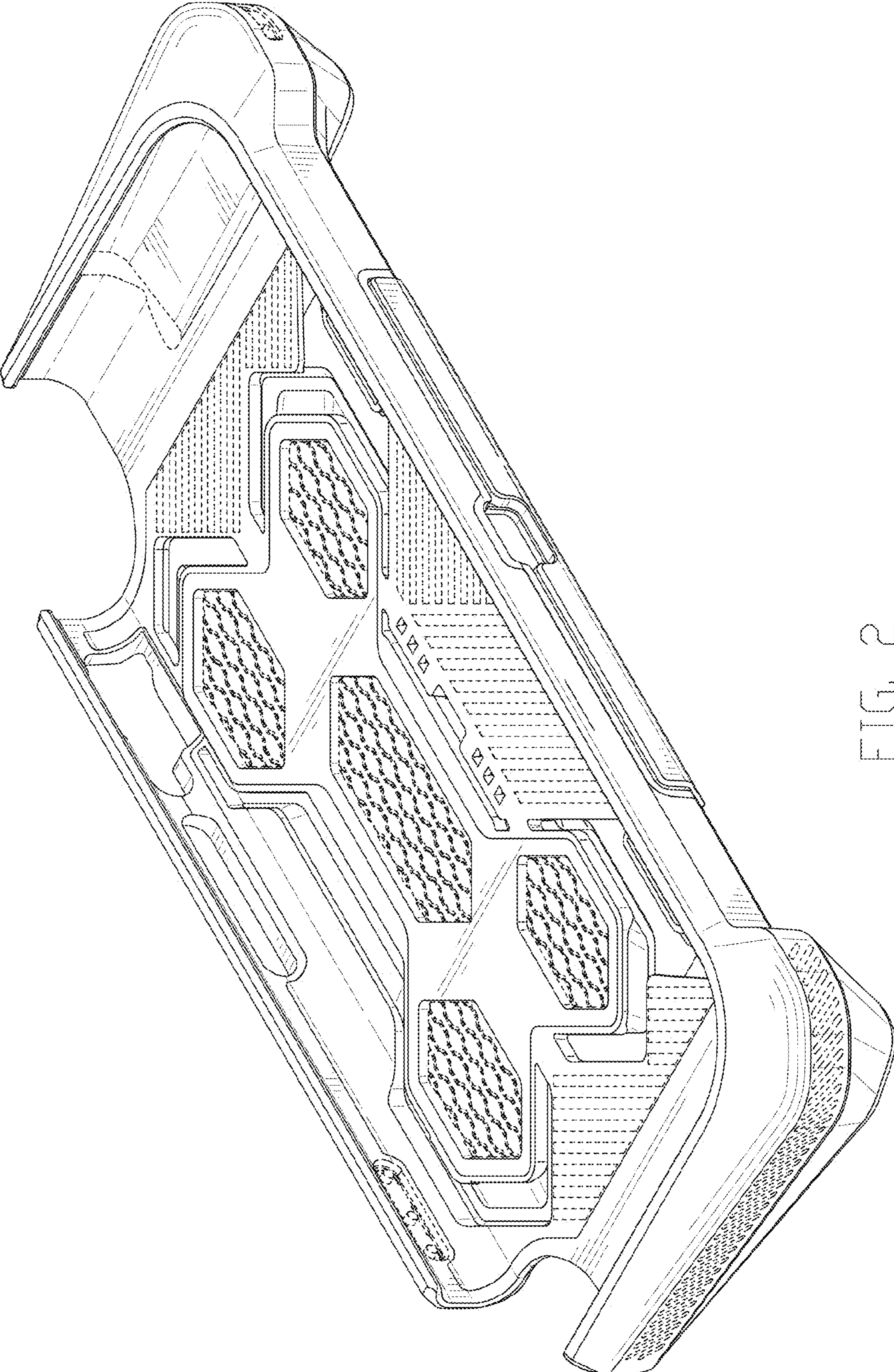


FIG. 2

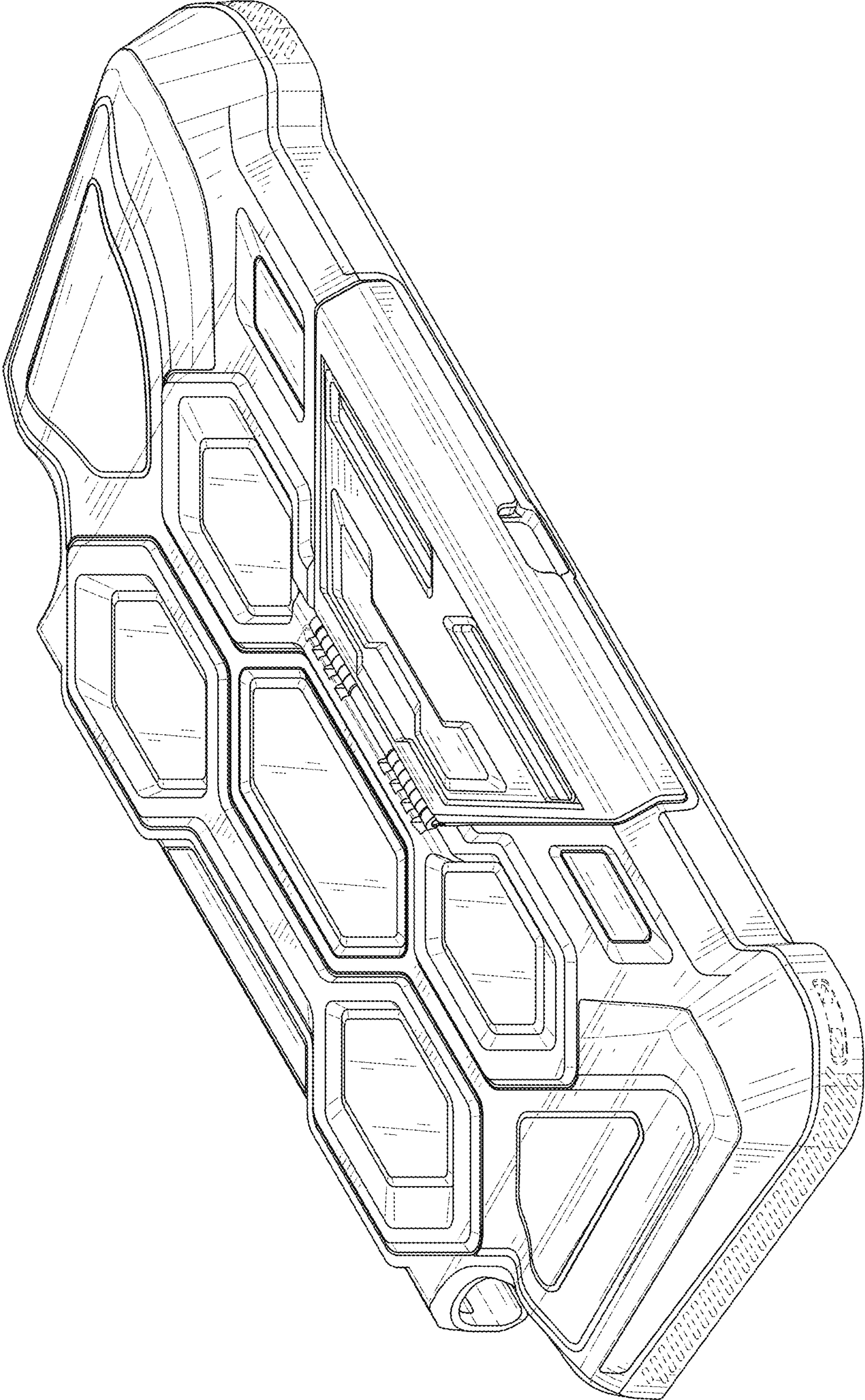


FIG. 3

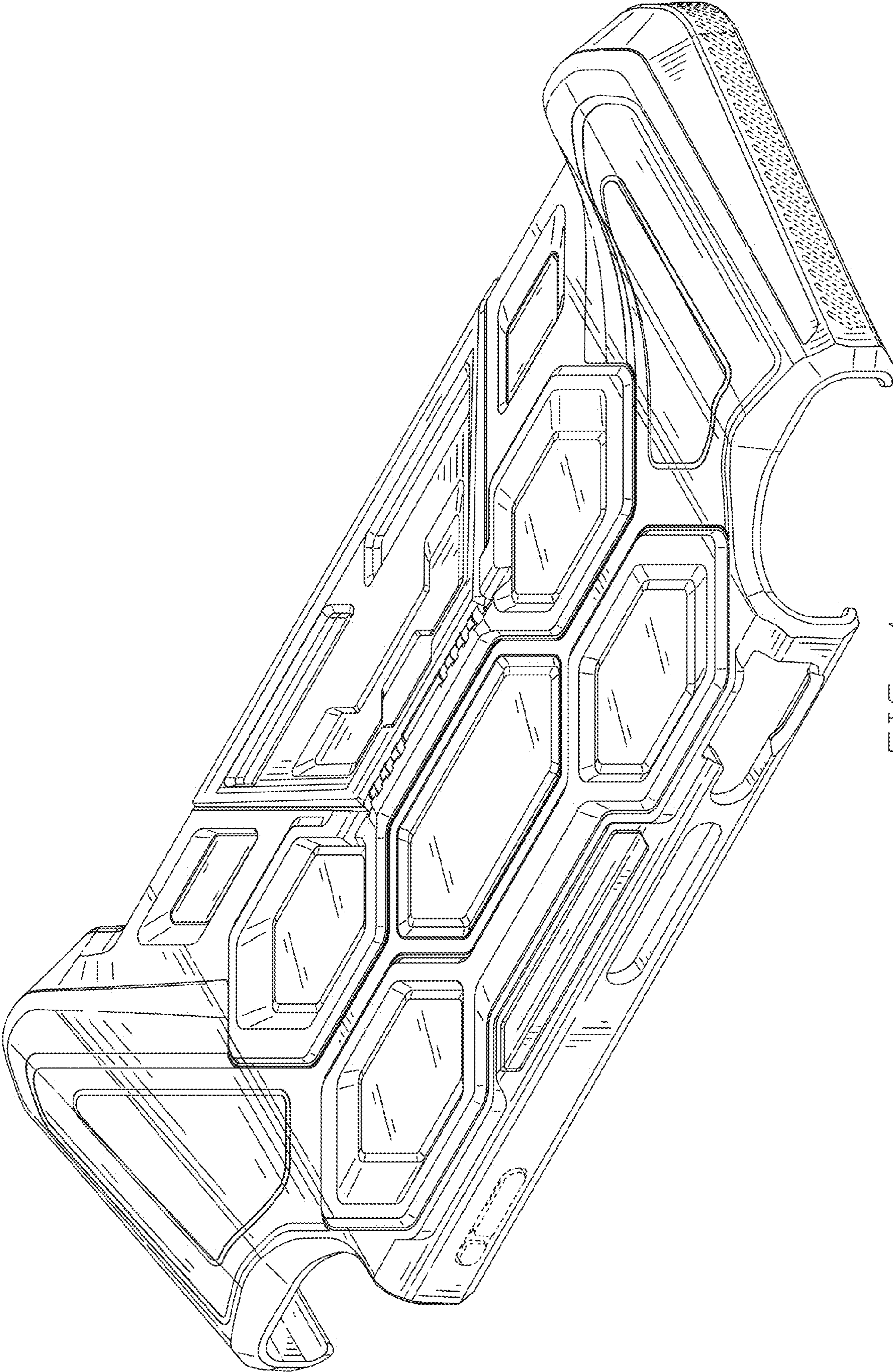


FIG. 4

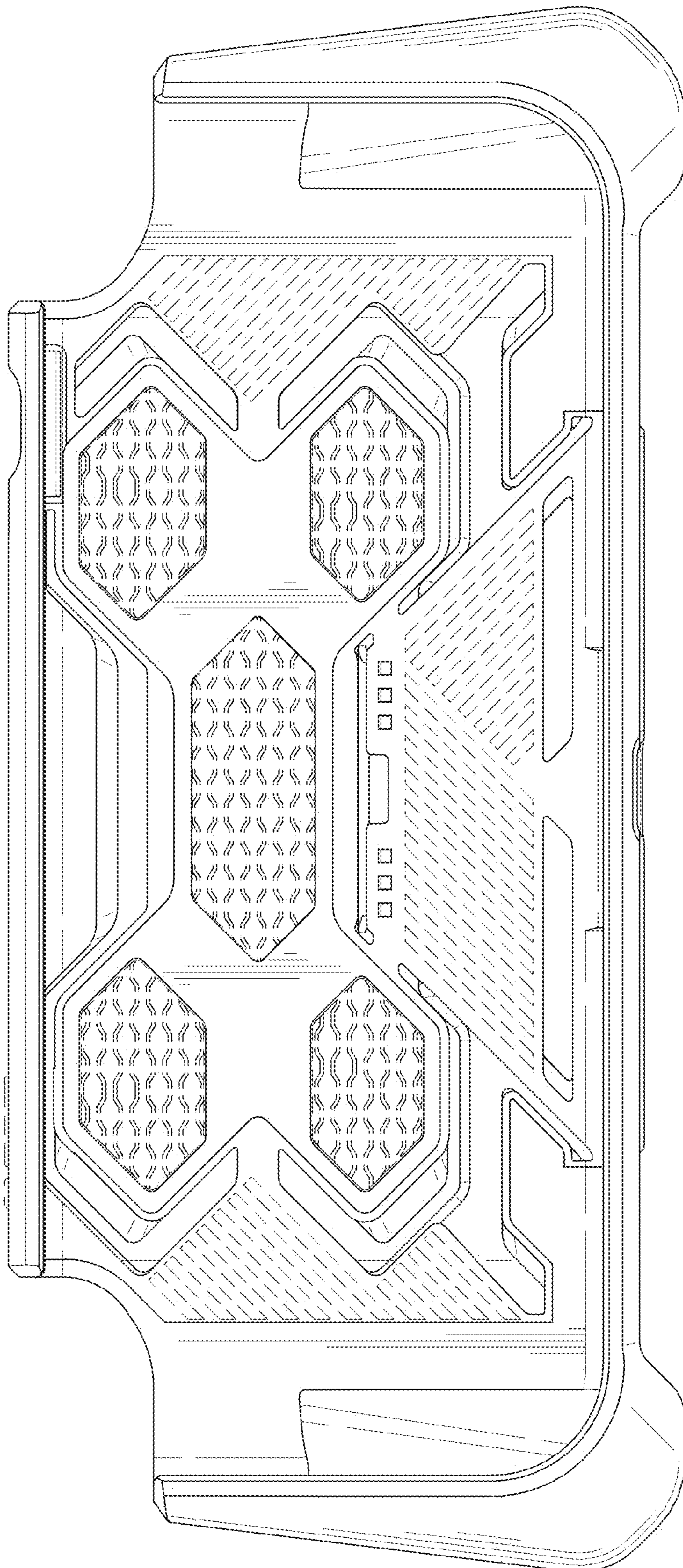


FIG. 5

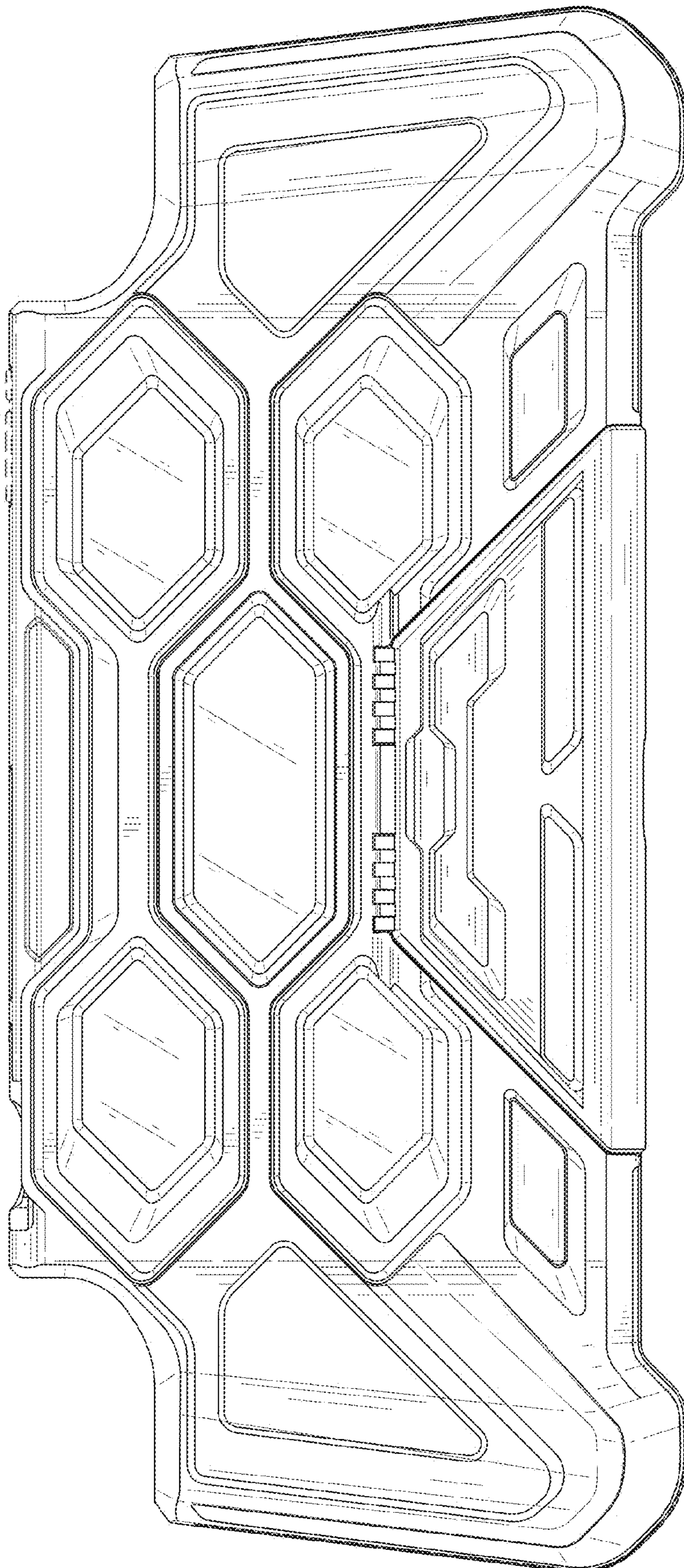


FIG. 6

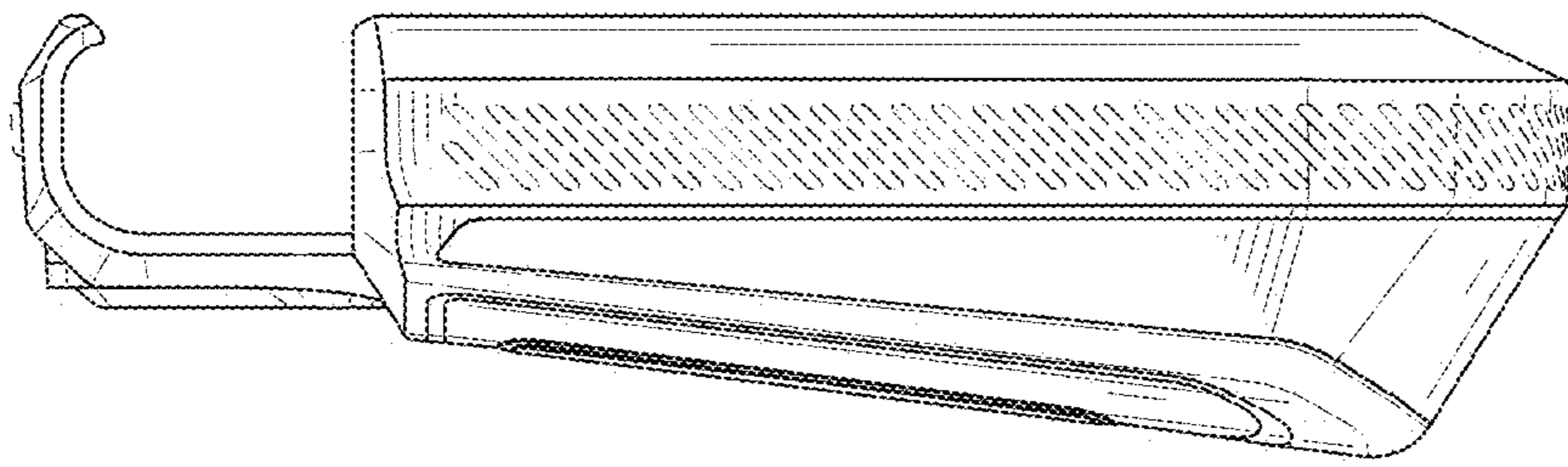


FIG. 7

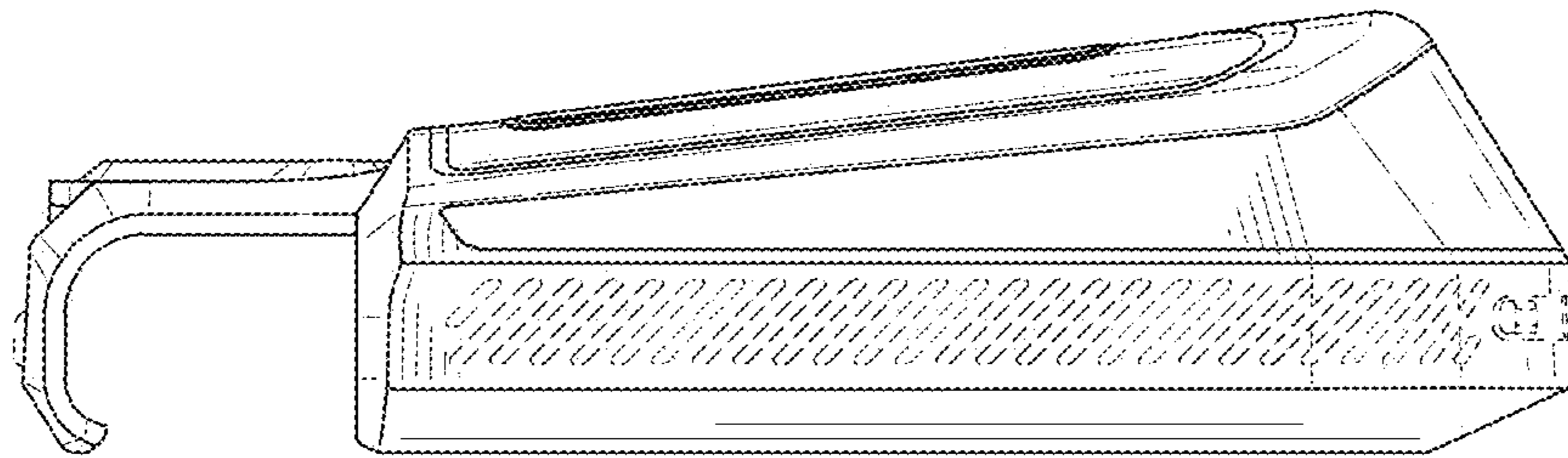


FIG. 8

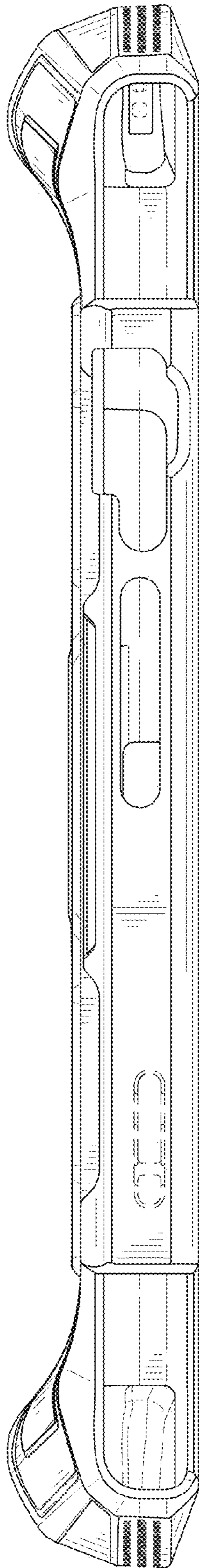


FIG. 9

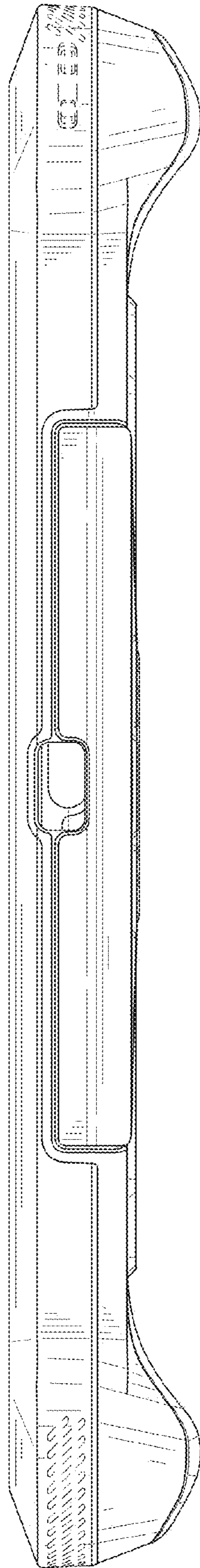


FIG. 10

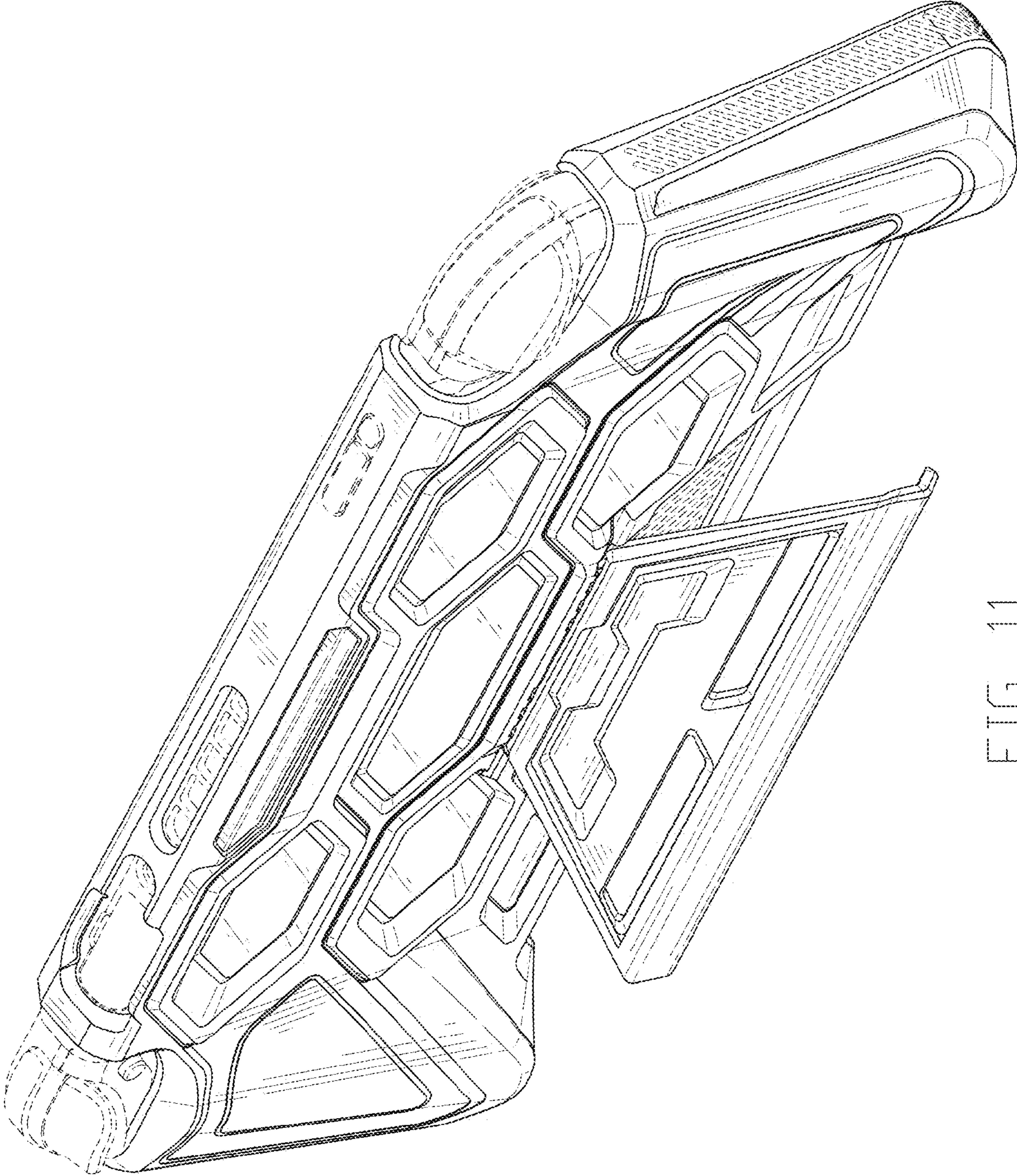


FIG. 11

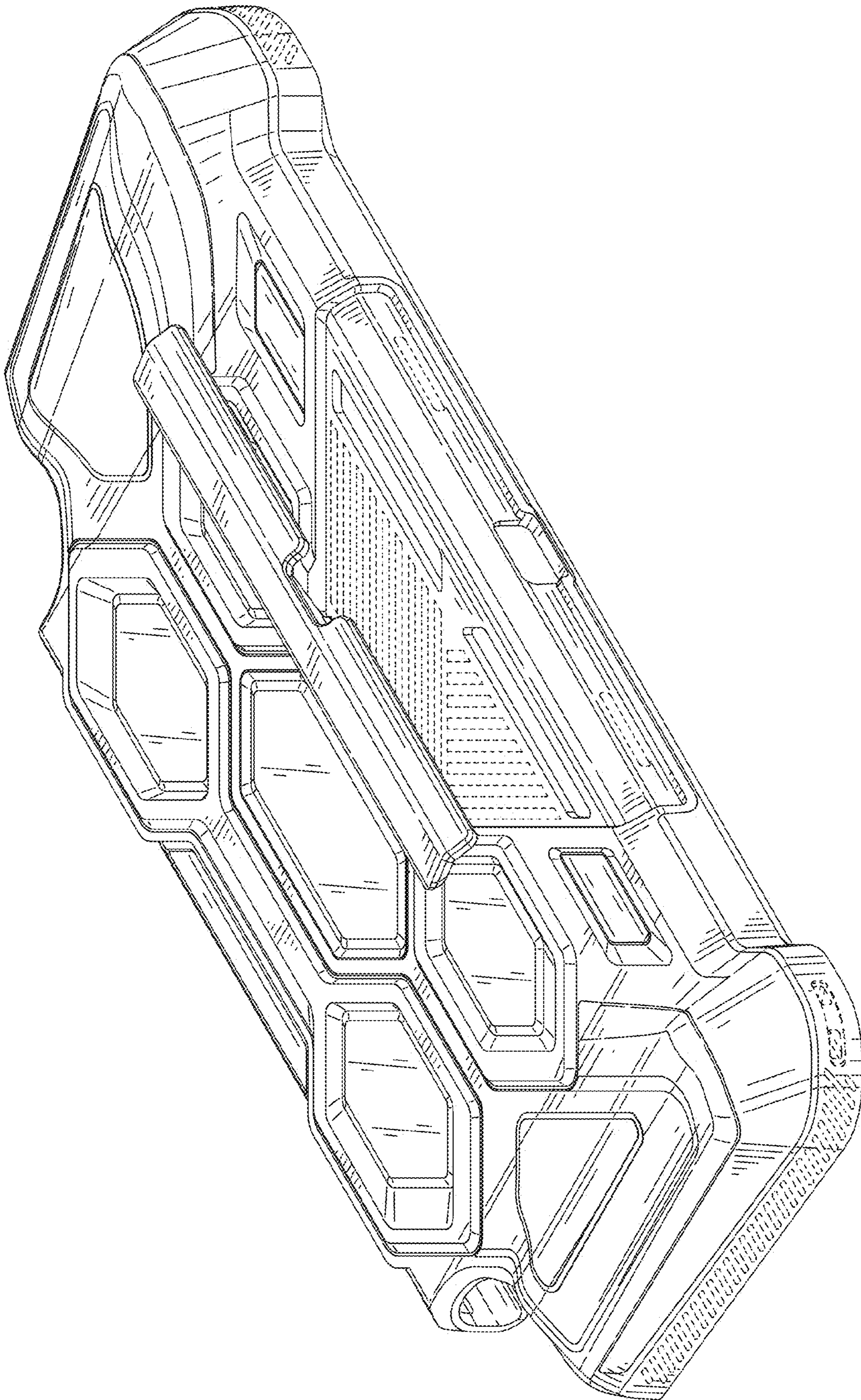


FIG. 12