



US00D908798S

(12) **United States Design Patent** (10) **Patent No.:** **US D908,798 S**  
**Conlee, IV et al.** (45) **Date of Patent:** **\*\* Jan. 26, 2021**

- (54) **GAME CONTROLLER**
- (71) Applicant: **Valve Corporation**, Bellevue, WA (US)
- (72) Inventors: **Carl Samuel Conlee, IV**, Seattle, WA (US); **Philip Bryan**, Bellevue, WA (US); **Claire Gottschalk**, Bellevue, WA (US); **Jeremy Slocum**, Sammamish, WA (US)
- (73) Assignee: **Valve Corporation**, Bellevue, WA (US)
- (\*\*) Term: **15 Years**
- (21) Appl. No.: **29/648,235**
- (22) Filed: **May 18, 2018**
- (51) **LOC (13) Cl.** ..... **21-01**
- (52) **U.S. Cl.**  
USPC ..... **D21/333**
- (58) **Field of Classification Search**  
USPC ..... D21/324, 328, 329, 330, 331, 333, 341, D21/342, 349, 386; D14/203.5, 218, 250, D14/299, 322, 341, 345, 346, 353, 354, D14/374, 375, 376, 401, 421, 432, 440, D14/443, 463, 493; D22/100, 103-105; D13/162, 162.1, 168; D10/78, 98, 103  
CPC ..... A45C 13/00; A45C 13/001; A45C 13/002; A63F 13/10; A63F 13/98; A63F 13/24; A63F 9/0291  
See application file for complete search history.

(56) **References Cited**

**U.S. PATENT DOCUMENTS**

- D567,243 S \* 4/2008 Ashida ..... D14/412
- 8,795,078 B1 \* 8/2014 Musick, Jr. .... G06F 3/0346  
463/37
- D772,986 S \* 11/2016 Chen ..... D14/203.3
- D780,807 S \* 3/2017 Chen ..... D14/203.3
- D795,959 S \* 8/2017 Chen ..... D14/203.3

- D800,841 S \* 10/2017 Chen ..... D21/333
- D802,055 S \* 11/2017 Chen ..... D21/333
- D804,579 S \* 12/2017 Britt ..... D21/333
- D804,580 S \* 12/2017 Britt ..... D21/333
- D806,173 S \* 12/2017 Britt ..... D21/333
- D812,693 S \* 3/2018 Chen ..... D21/333
- D813,203 S \* 3/2018 Hardi ..... D14/218
- D815,209 S \* 4/2018 Chen ..... D21/333

(Continued)

**OTHER PUBLICATIONS**

“Valve index Revive”, posted Jun. 26, 2016 [online], [retrieved Mar. 8, 2020]. Retrieved from internet: <https://www.roadtovr.com/valve-index-revive-oculus-rift-exclusive-games-content/>.\*

(Continued)

*Primary Examiner* — Sandra Snapp  
*Assistant Examiner* — Mehri Bajoul  
(74) *Attorney, Agent, or Firm* — Lee & Hayes, P.C.

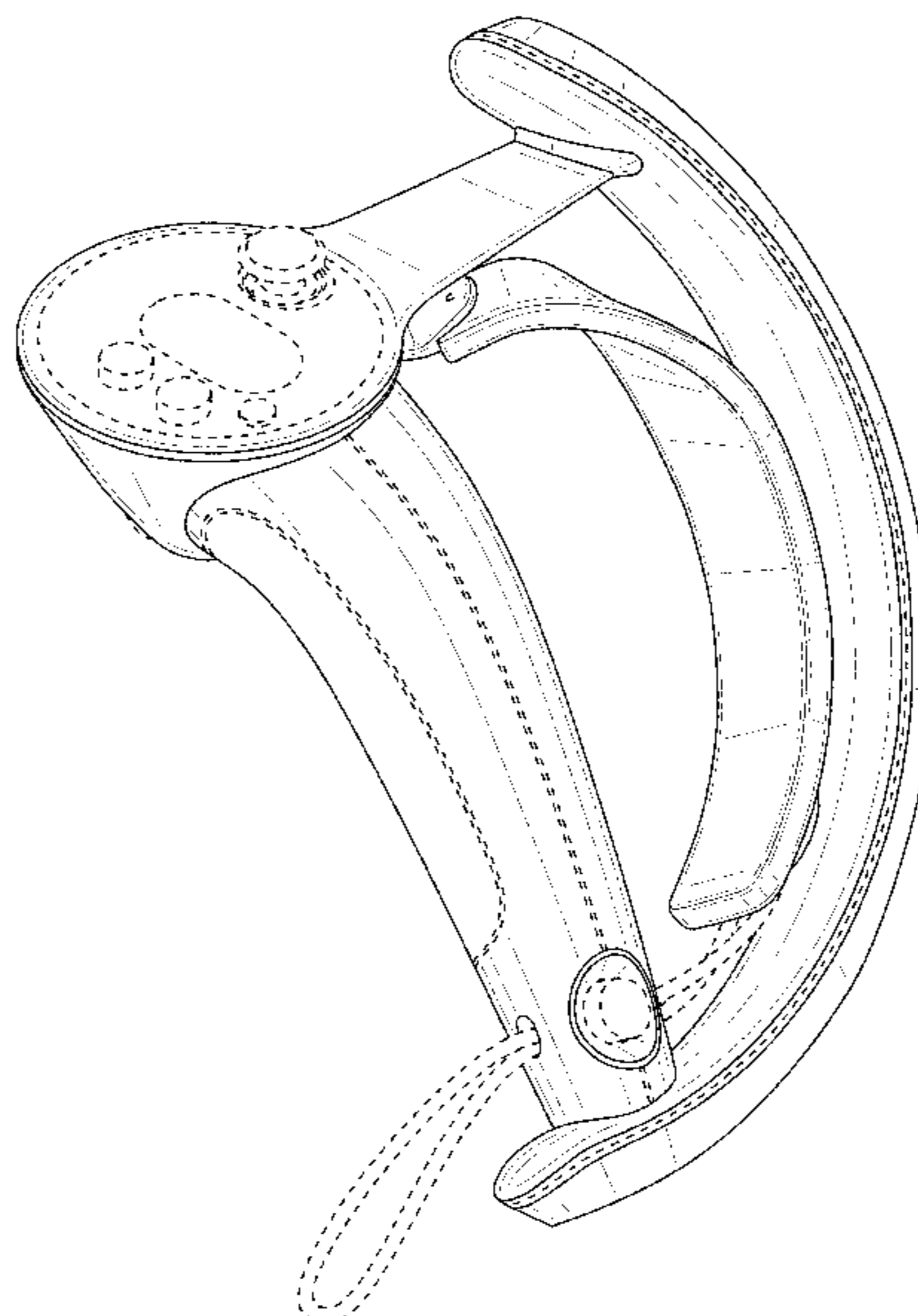
(57) **CLAIM**

The ornamental design for a game controller, as shown and described.

**DESCRIPTION**

FIG. 1 is a back perspective view of a game controller; FIG. 2 is a front perspective view thereof; FIG. 3 is a front view thereof; FIG. 4 is a back view thereof; FIG. 5 is a left-side view thereof; FIG. 6 is a right-side view thereof; FIG. 7 is a top view thereof; and, FIG. 8 is a bottom view thereof. FIGS. 1-8 illustrate a right-hand game controller, it is being understood that the views of the left-hand game controller are mirror images of the views shown in FIGS. 1-8. The broken lines depict portions of the game controller that form no part of the claimed design.

**1 Claim, 8 Drawing Sheets**



(56)

**References Cited**

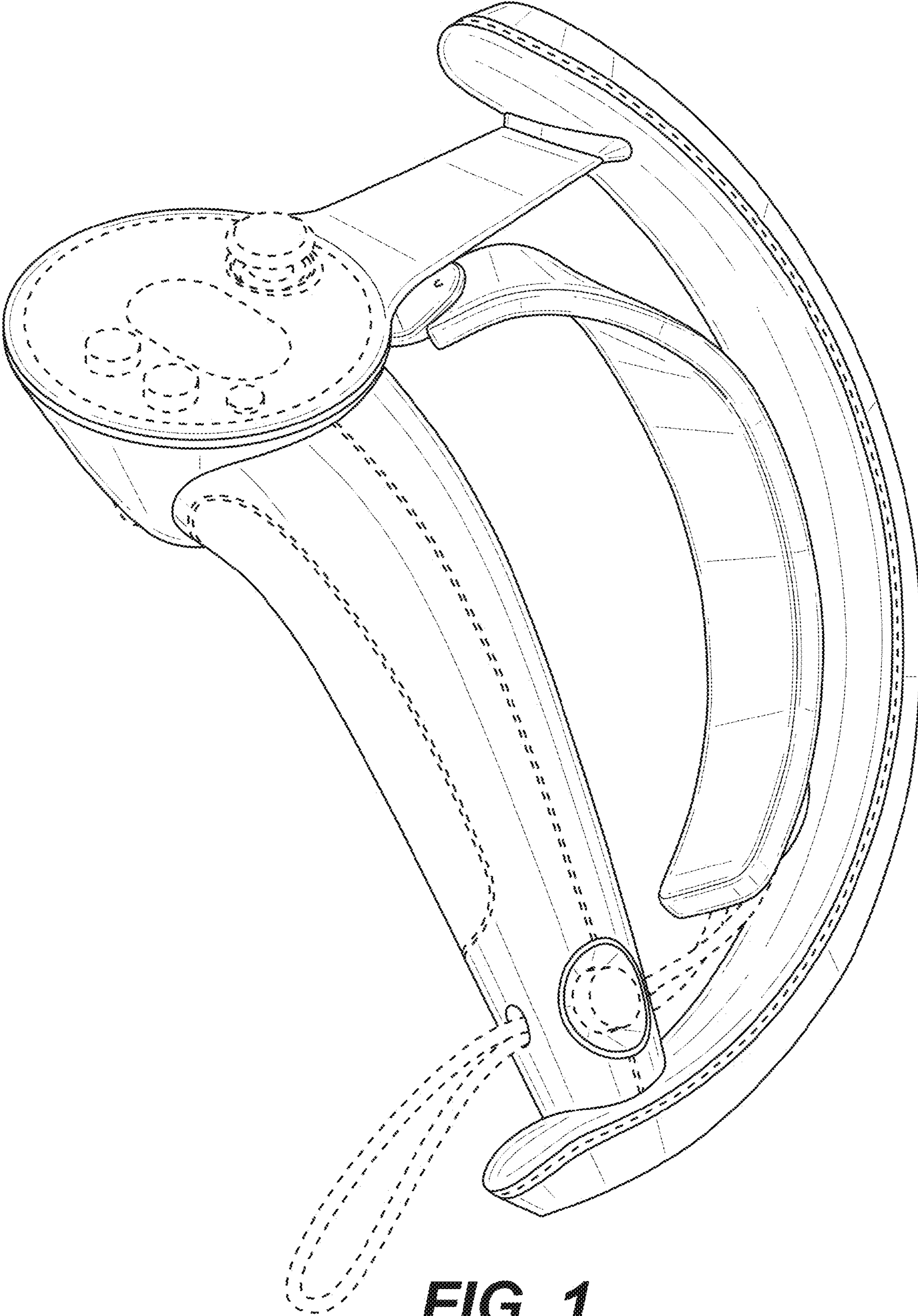
## U.S. PATENT DOCUMENTS

D815,697 S \* 4/2018 Chen ..... D21/333  
D827,034 S \* 8/2018 Chen ..... D21/333  
D835,104 S \* 12/2018 Chen ..... D14/401  
D840,360 S \* 2/2019 Scott ..... D13/168  
D844,608 S \* 4/2019 Chen ..... D14/388  
D844,609 S \* 4/2019 Bristol ..... D14/388  
D849,743 S \* 5/2019 Chen ..... D14/401  
D851,086 S \* 6/2019 Chen ..... D14/401  
D864,301 S \* 10/2019 Wei ..... D21/333  
D866,554 S \* 11/2019 Lo ..... D14/388  
2006/0287089 A1 \* 12/2006 Addington ..... A63F 13/06  
463/37  
2016/0361637 A1 \* 12/2016 Higgins ..... A63F 13/24  
2016/0363996 A1 \* 12/2016 Higgins ..... G06F 3/014  
2017/0128828 A1 \* 5/2017 Long ..... A63F 13/235  
2017/0131767 A1 \* 5/2017 Long ..... G06T 7/246  
2017/0189799 A1 \* 7/2017 Anderson ..... G06F 3/0338  
2017/0192506 A1 \* 7/2017 Andersen ..... G06F 3/014  
2018/0099219 A1 \* 4/2018 Hope ..... A63F 13/24  
2019/0325651 A1 \* 10/2019 Bradner ..... G06F 3/017

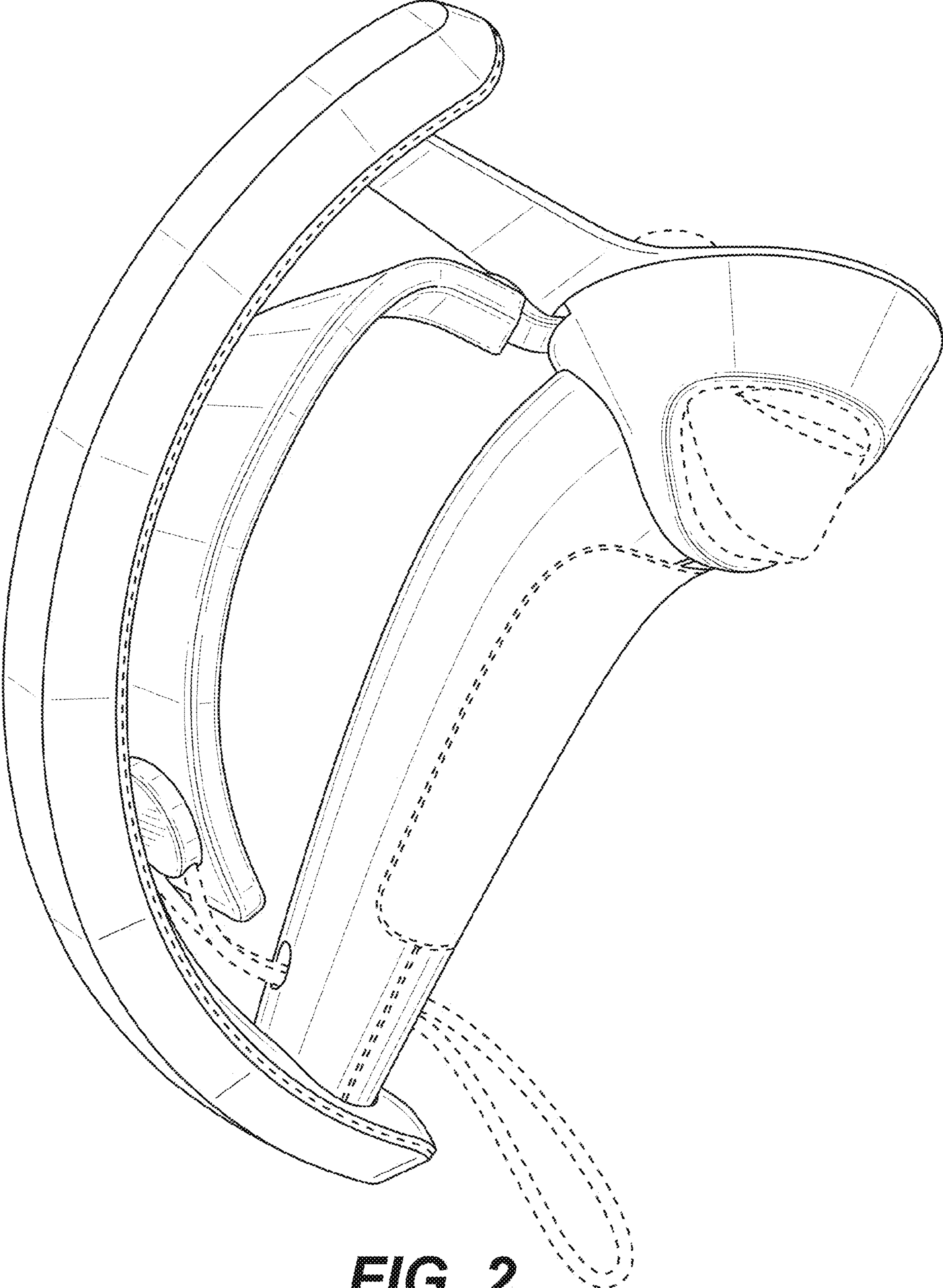
## OTHER PUBLICATIONS

“VRGE Controller”, posted Dec. 31, 2019 [online], [retrieved Mar. 8, 2020]. Retrieved from internet:[https://www.amazon.com/VRGE-Controller-Premium-Storage-Controllers/product-reviews/B08239QS3H/ref=cm\\_cr\\_getr\\_d\\_paging\\_btm\\_next\\_2?ie=UTF8&reviewerType=all\\_reviews&sortBy=recent&pageNumber=2](https://www.amazon.com/VRGE-Controller-Premium-Storage-Controllers/product-reviews/B08239QS3H/ref=cm_cr_getr_d_paging_btm_next_2?ie=UTF8&reviewerType=all_reviews&sortBy=recent&pageNumber=2).\*

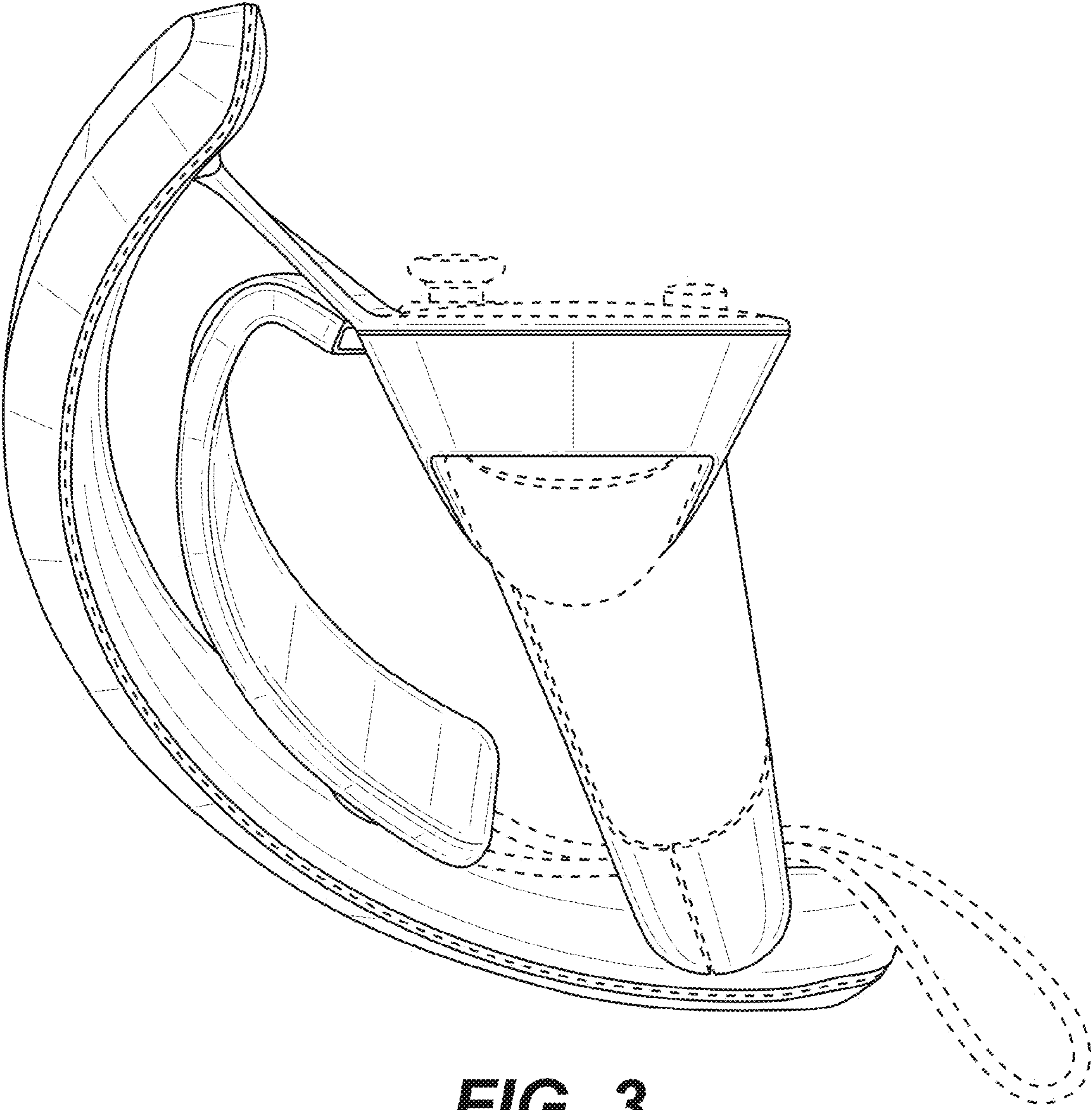
\* cited by examiner



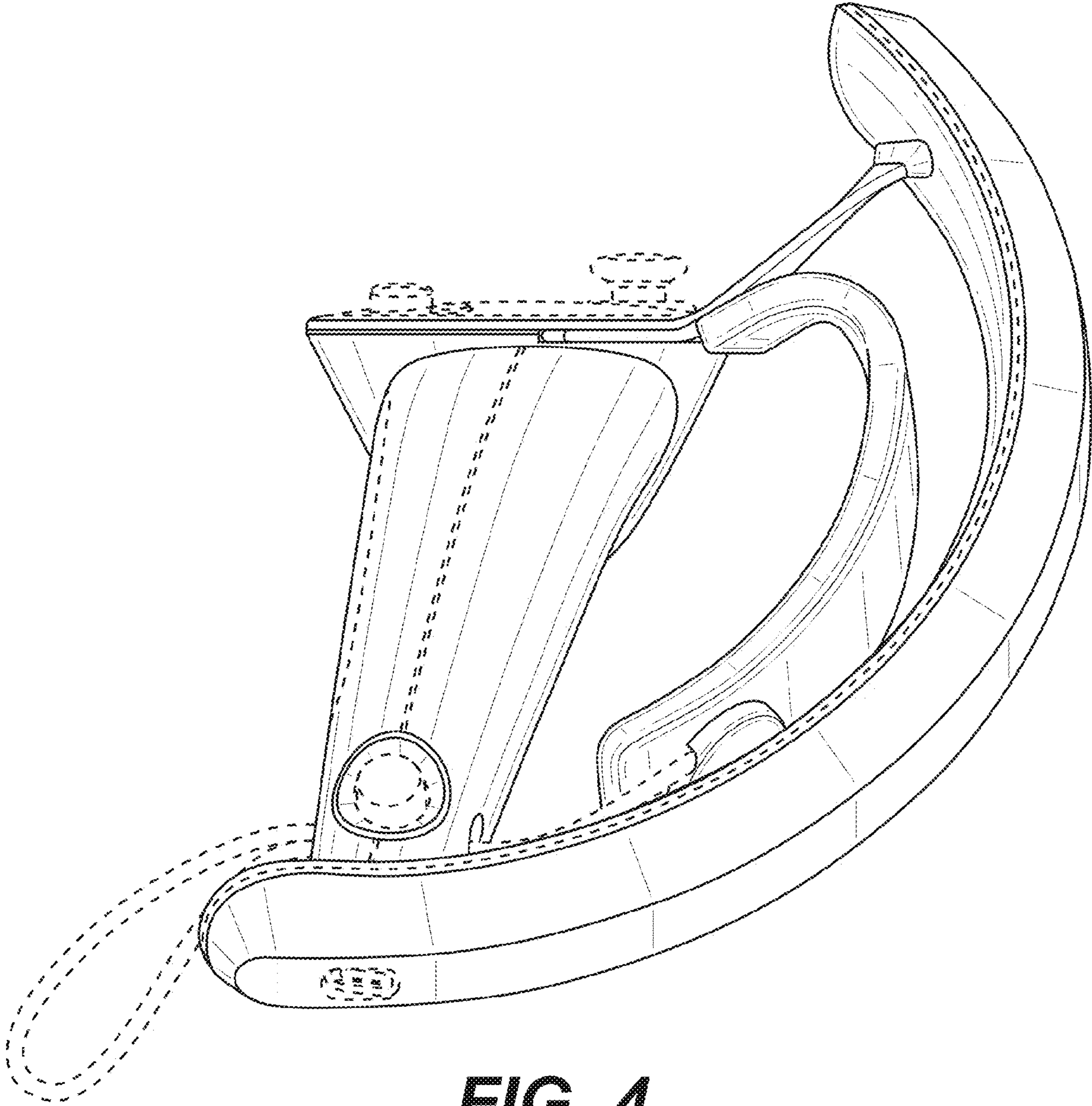
**FIG. 1**



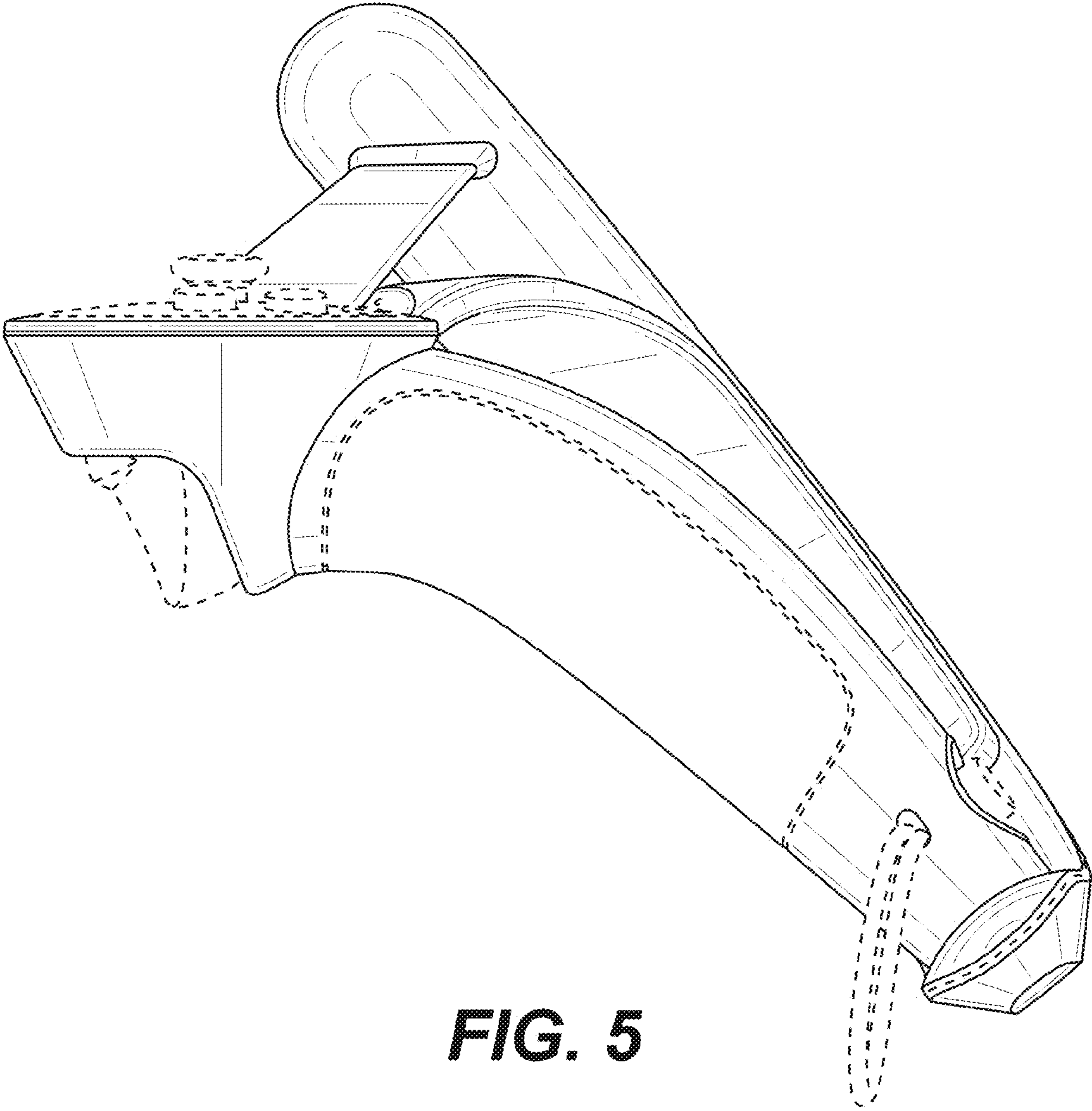
**FIG. 2**



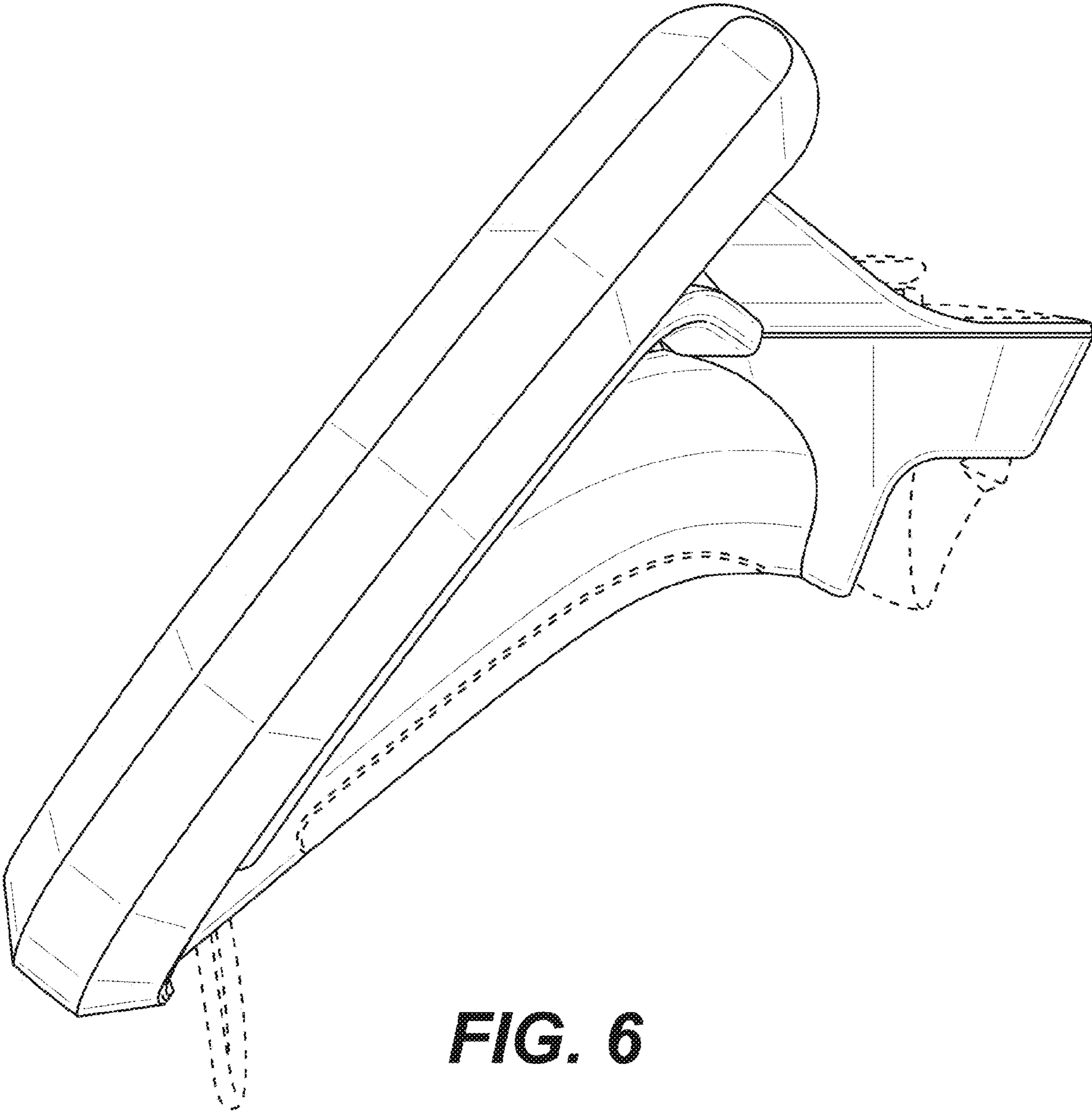
**FIG. 3**



**FIG. 4**

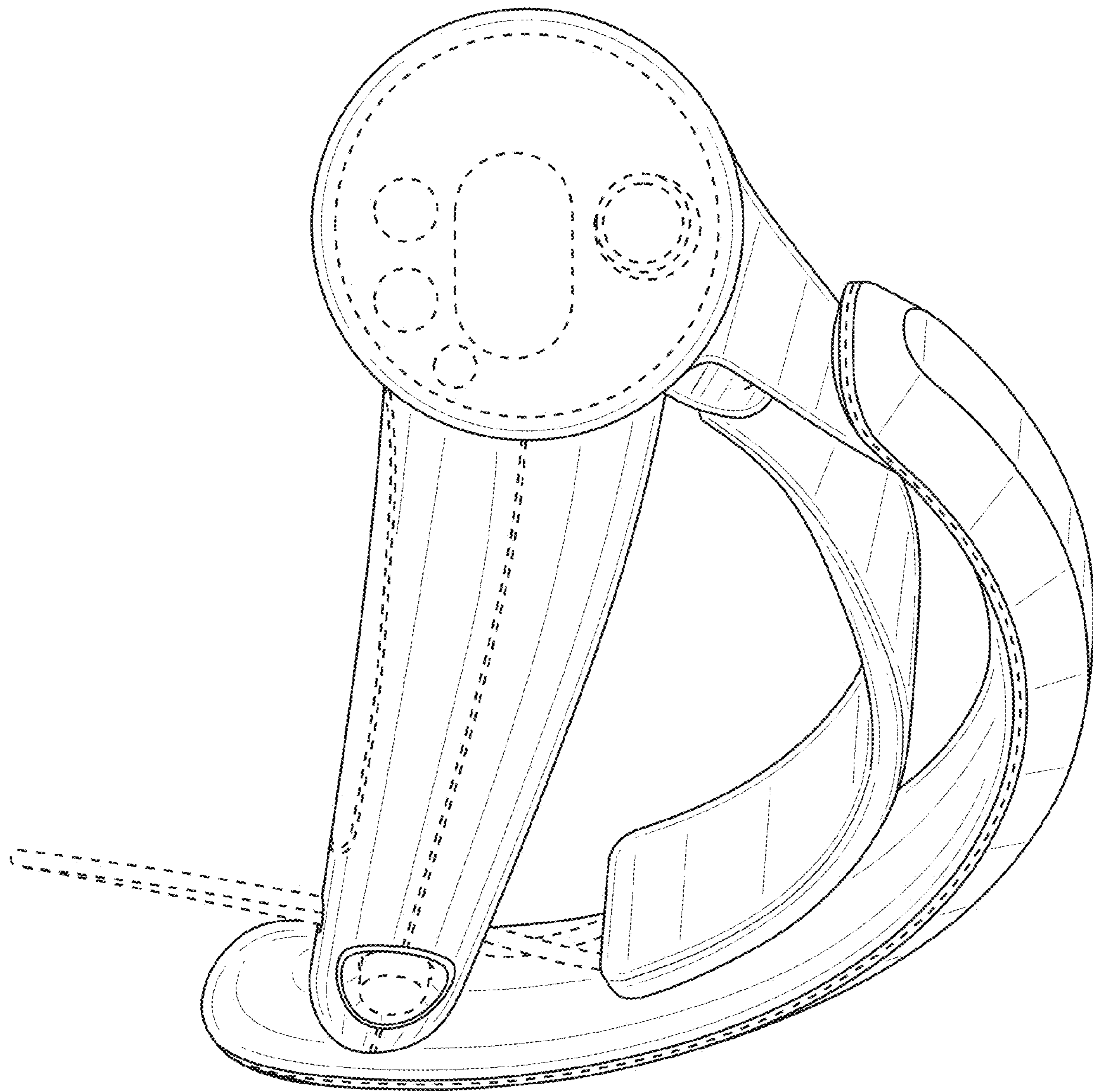


**FIG. 5**

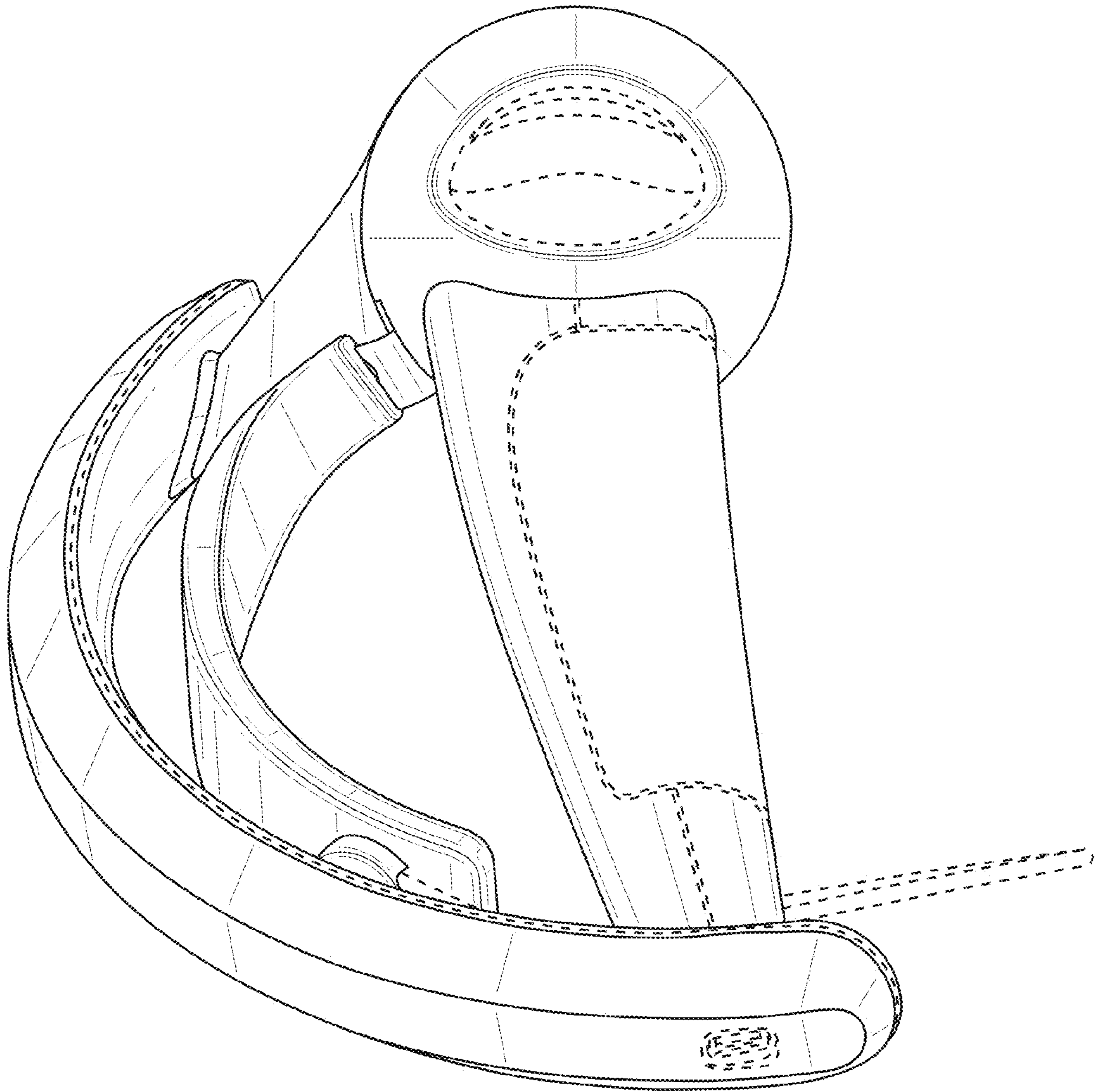


**FIG. 6**





**FIG. 7**



**FIG. 8**