



US00D908796S

(12) **United States Design Patent**
Kageyama et al.

(10) **Patent No.:** **US D908,796 S**
(45) **Date of Patent:** **** Jan. 26, 2021**

- (54) **SLEEVE FOR A MECHANICAL PENCIL**
- (71) Applicant: **Kotobuki & Co., Ltd.**, Saitama (JP)
- (72) Inventors: **Hidehei Kageyama**, Kawagoe (JP);
Takeshi Wakayama, Kawagoe (JP)
- (73) Assignee: **KOTOBUKI & CO., LTD.**, Kawagoe (JP)
- (**) Term: **15 Years**
- (21) Appl. No.: **35/508,442**
- (22) Filed: **Jun. 7, 2019**
- (80) **Hague Agreement Data**
Int. Filing Date: **Jun. 7, 2019**
Int. Reg. No.: **DM/205398**
Int. Reg. Date: **Jun. 7, 2019**
Int. Reg. Pub. Date: **Jan. 31, 2020**
- (51) **LOC (13) Cl.** **19-06**
- (52) **U.S. Cl.**
USPC **D19/202**
- (58) **Field of Classification Search**
USPC D19/115–204; D14/411
See application file for complete search history.

- (56) **References Cited**
U.S. PATENT DOCUMENTS
- 5,202,942 A * 4/1993 Collins G02B 6/3887
385/81
- D358,802 S * 5/1995 Kunz D13/154
- D610,989 S * 3/2010 Amidon D13/133
- D701,494 S * 3/2014 Errato, Jr. H01R 13/5845
D13/154
- D829,282 S * 9/2018 Keda D19/199
- D844,054 S * 3/2019 Bindra D19/166
- D844,704 S * 4/2019 Bindra D19/173
- D871,502 S * 12/2019 Kageyama D19/202

- 2007/0095964 A1* 5/2007 Hopper H02G 11/02
242/375.1
- 2013/0150807 A1* 6/2013 Hamuro A61M 25/0097
604/264
- 2015/0036982 A1* 2/2015 Nhep G02B 6/3887
385/86
- 2020/0006889 A1* 1/2020 Lamb H01R 13/5833

* cited by examiner

Primary Examiner — Michael A. Pratt
(74) *Attorney, Agent, or Firm* — McGinn IP Law Group, PLLC

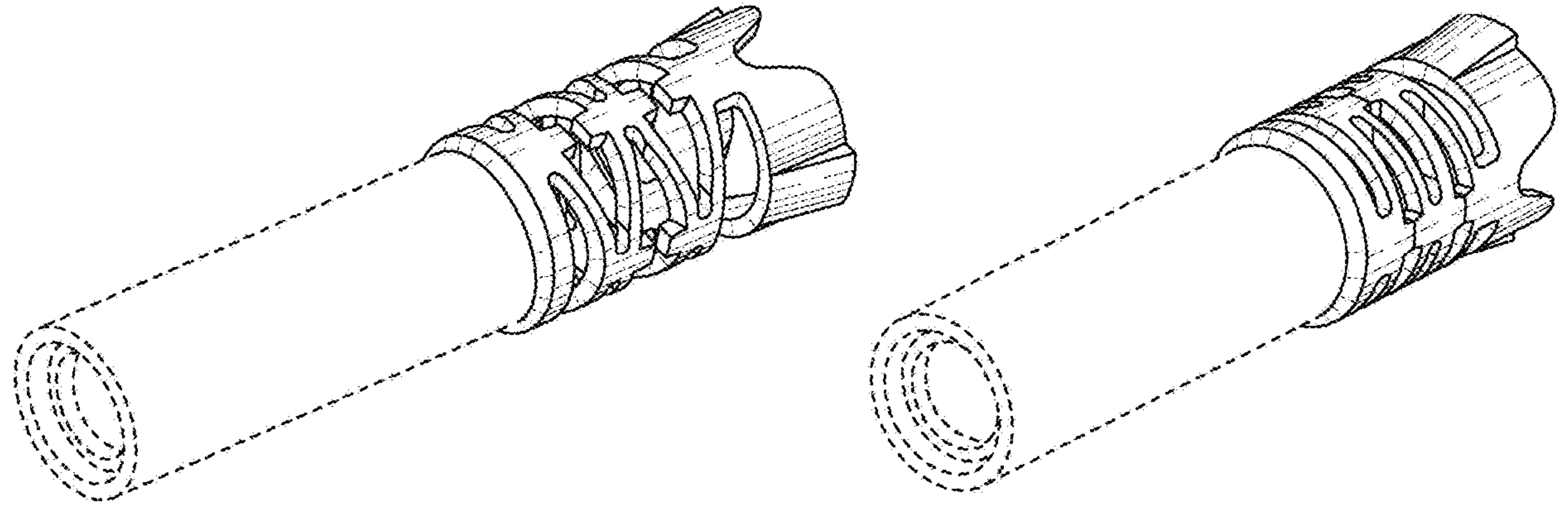
(57) **CLAIM**
The ornamental design for a sleeve for a mechanical pencil, as shown and described.

DESCRIPTION

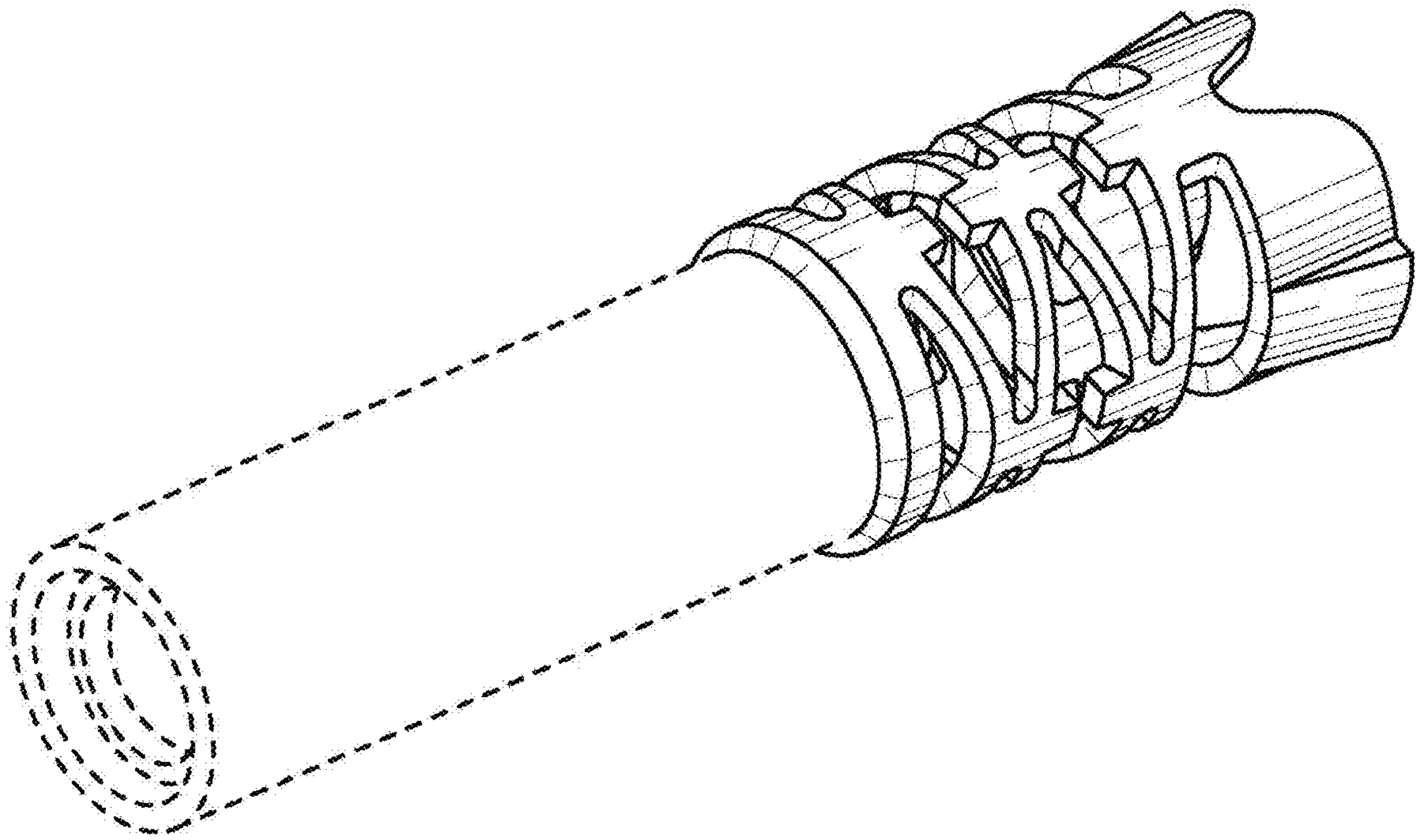
1. A sleeve for a mechanical pencil
 1.1 : Perspective
 1.2 : Front
 1.3 : Top
 1.4 : Left
 1.5 : Right
 1.6 : Perspective view of compressed state
 1.7 : Front view of compressed state

1.1 is a perspective view of a sleeve for a mechanical pencil showing our new design; 1.2 is a front view thereof; 1.3 is a top view thereof; 1.4 is a left view thereof; 1.5 is a right view thereof; 1.6 is a perspective view thereof showing the cushion spring in a compressed state; and 1.7 is a front view thereof showing the cushion spring in a compressed state; the sleeve comprises the cushion spring, and is disposed between a pipe accommodating writing leads and an outer tube; when a writing pressure is applied to the writing lead, the cushion spring is compressed; broken lines show environmental features that form no part of the claimed design; the back view is a mirror image of the front view; the bottom view is identical to the top view.

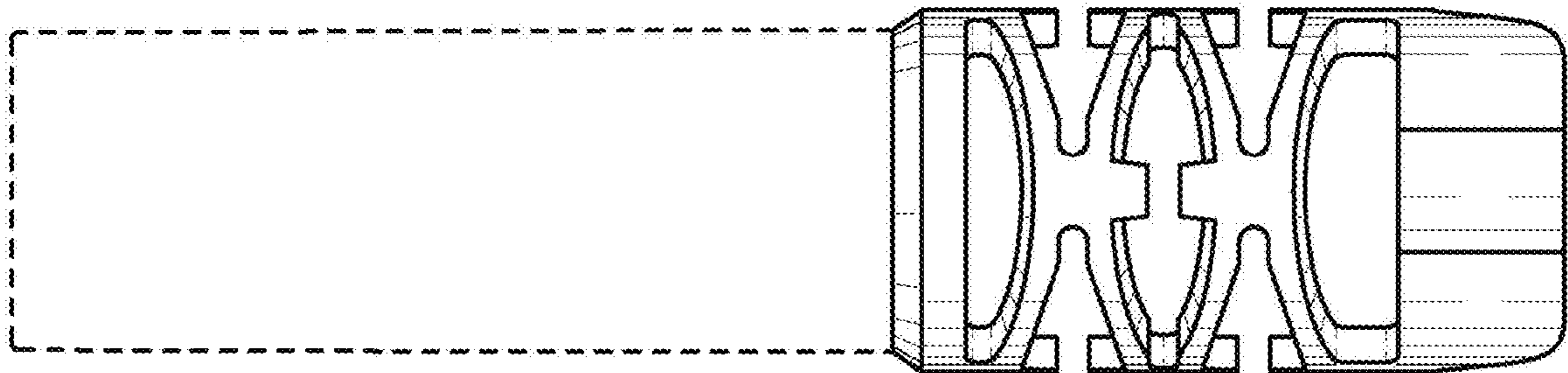
1 Claim, 7 Drawing Sheets



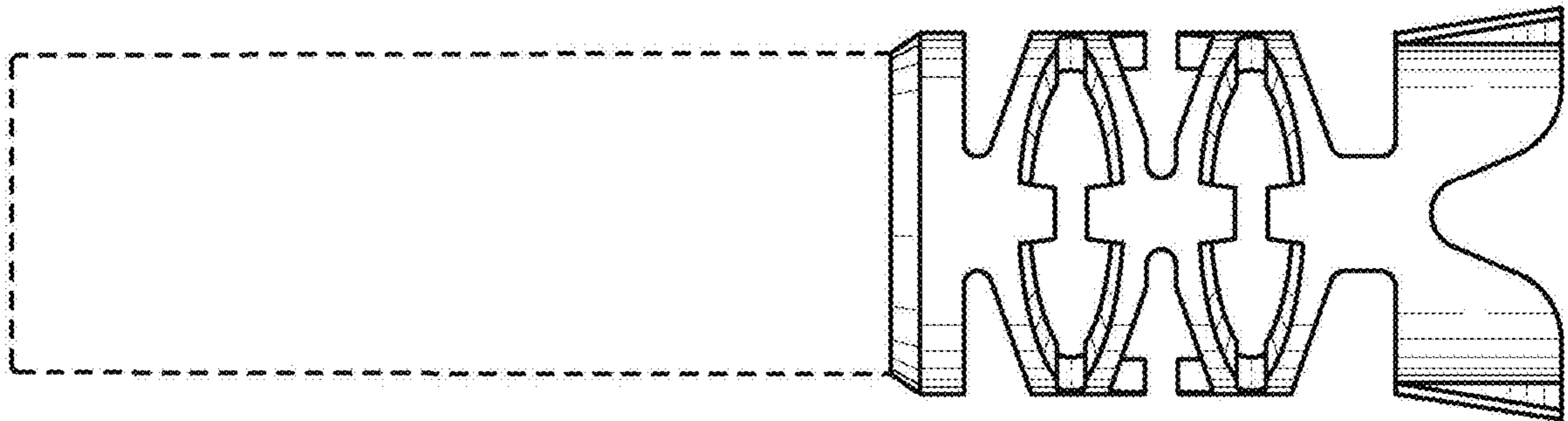
1.1



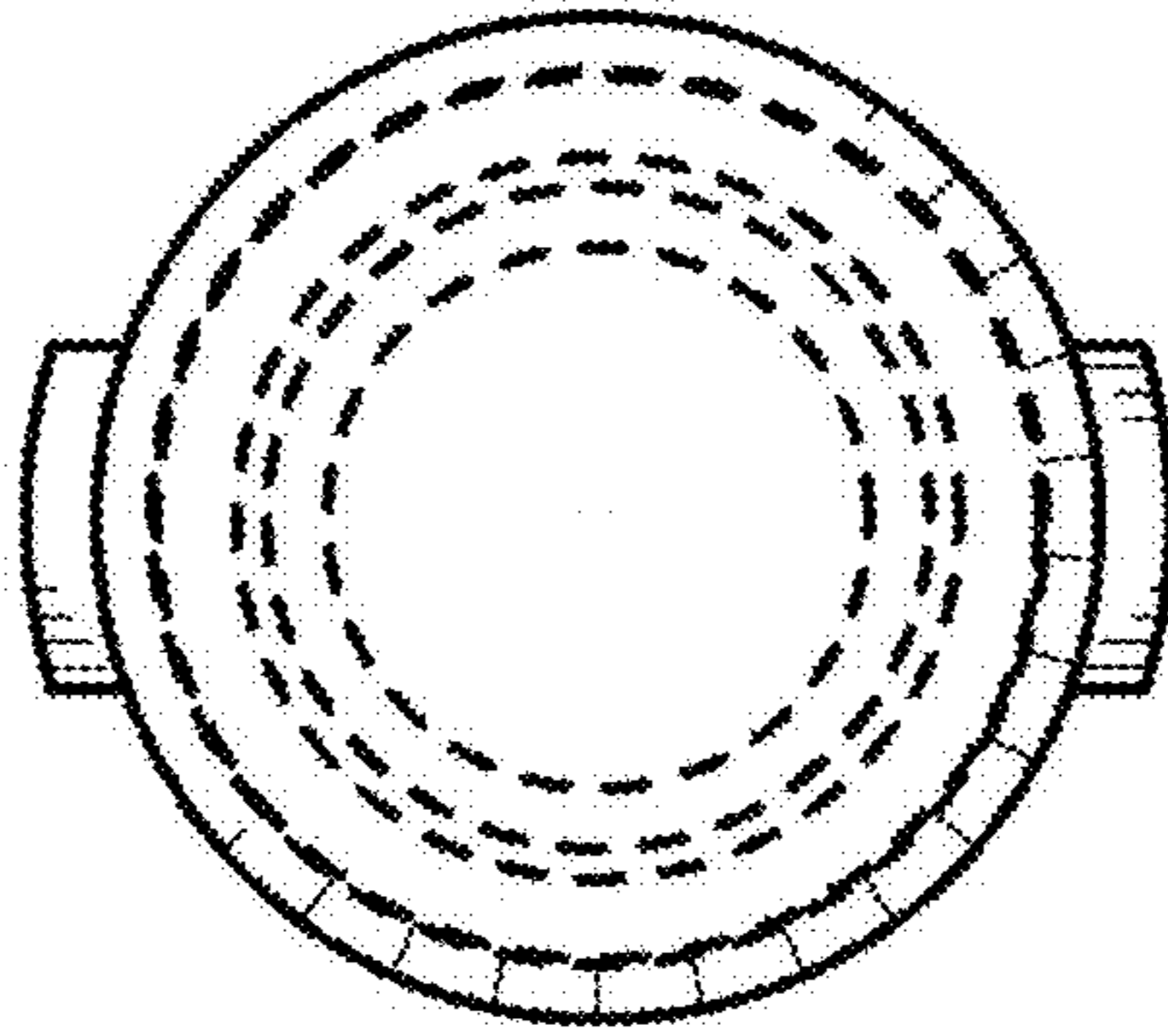
1.2



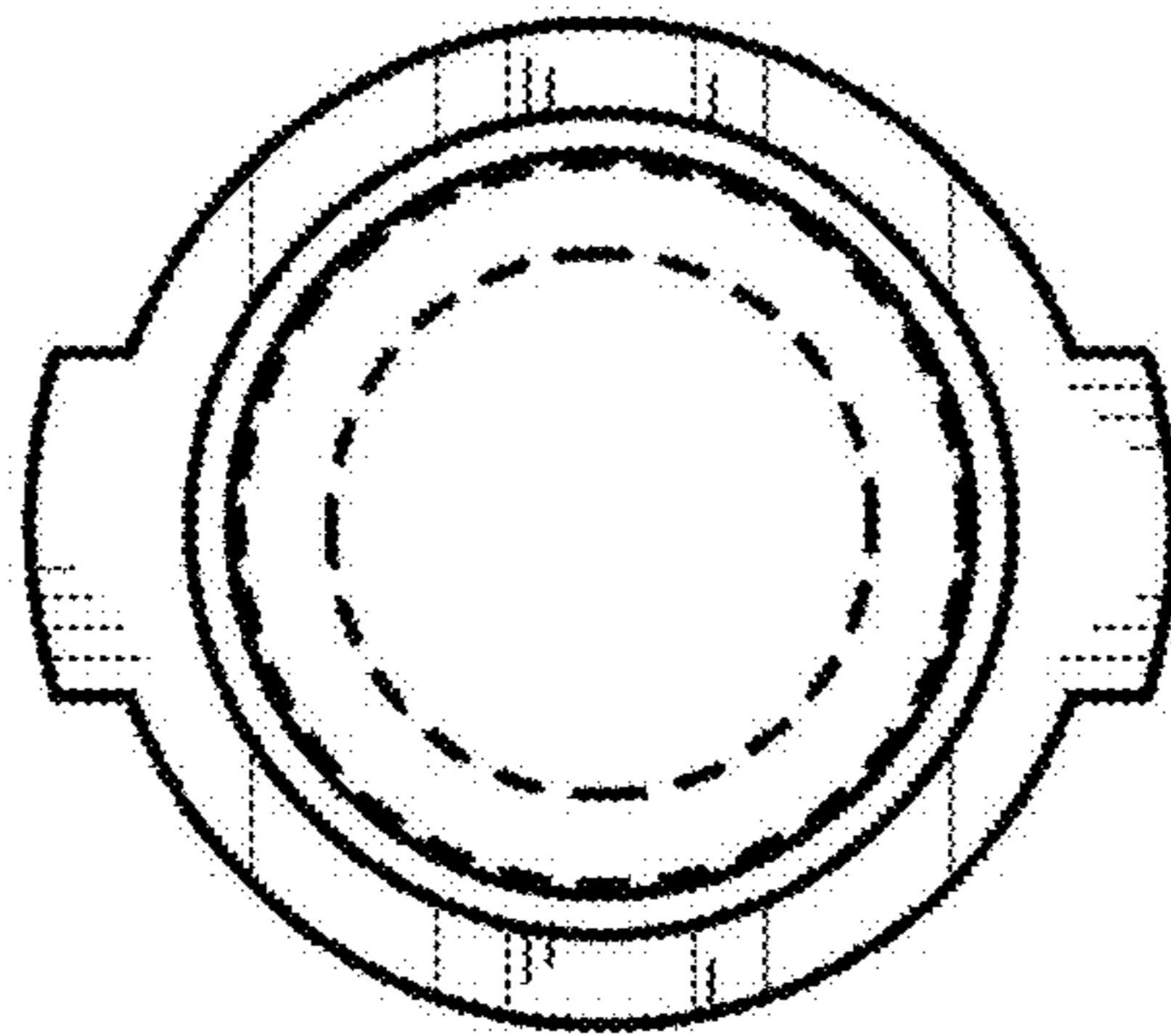
1.3



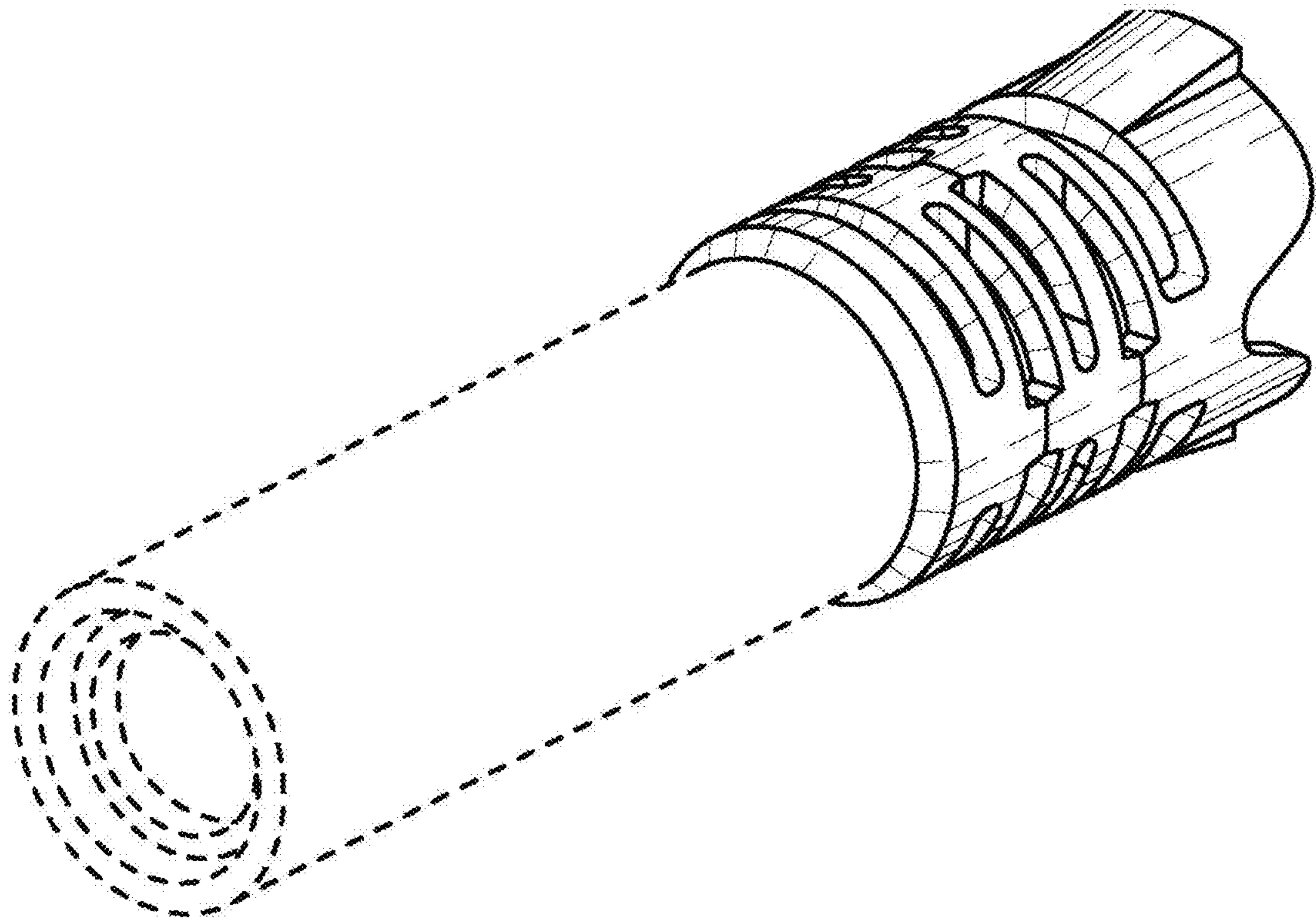
1.4



1.5



1.6



1.7

