



US00D908794S

(12) **United States Design Patent**
Houle

(10) **Patent No.:** **US D908,794 S**

(45) **Date of Patent:** **** Jan. 26, 2021**

- (54) **DOCUMENT ORGANIZER**
- (71) Applicant: **Jessica Houle**, Ontario (CA)
- (72) Inventor: **Jessica Houle**, Ontario (CA)
- (**) Term: **15 Years**
- (21) Appl. No.: **29/690,936**
- (22) Filed: **May 13, 2019**
- (30) **Foreign Application Priority Data**
Nov. 13, 2018 (CA) 184572
- (51) **LOC (13) Cl.** **19-02**
- (52) **U.S. Cl.**
USPC **D19/86**; D19/26
- (58) **Field of Classification Search**
USPC D19/75-80, 86-92, 26-31; D3/304, 306,
D3/312, 313; D6/566, 568, 570, 675.2,
D6/675.5; D11/124, 125, 127, 134
CPC B42D 5/005; B42D 5/006; B43M 99/00;
B43M 99/001; B43M 99/006; B43M
99/008; B43M 99/009; A47B 63/00;
A47B 63/10; A47B 63/14; B42F 7/00;
A47F 7/142
See application file for complete search history.

- (56) **References Cited**
U.S. PATENT DOCUMENTS
193,340 A * 7/1877 Lothrop F25D 23/025
312/291
385,320 A * 6/1888 Phillips B42F 7/06
206/215
2,277,097 A * 3/1942 Hansen B65D 5/728
229/152
3,108,734 A * 10/1963 Hewko B42F 7/14
206/39
3,253,770 A * 5/1966 Black B65D 5/0245
206/424

- 3,380,644 A * 4/1968 D Alessio B65D 5/02
206/424
- 4,679,923 A * 7/1987 Nielsen B42F 7/00
353/120
- D291,209 S * 8/1987 Nava D18/7
- D316,108 S * 4/1991 Gerriet D19/26
- 5,232,087 A * 8/1993 Schluger B42D 15/045
206/232
- D356,922 S * 4/1995 Du Corday D6/407
- 5,458,235 A * 10/1995 Stone B65D 5/4204
206/232
- D372,495 S * 8/1996 Godfrey D18/2
- 5,607,054 A * 3/1997 Hollingsworth G06F 1/1628
206/305
- 5,741,028 A * 4/1998 Hatano A45C 13/02
229/67.1
- 5,845,425 A * 12/1998 Leake A47G 1/14
40/725

(Continued)

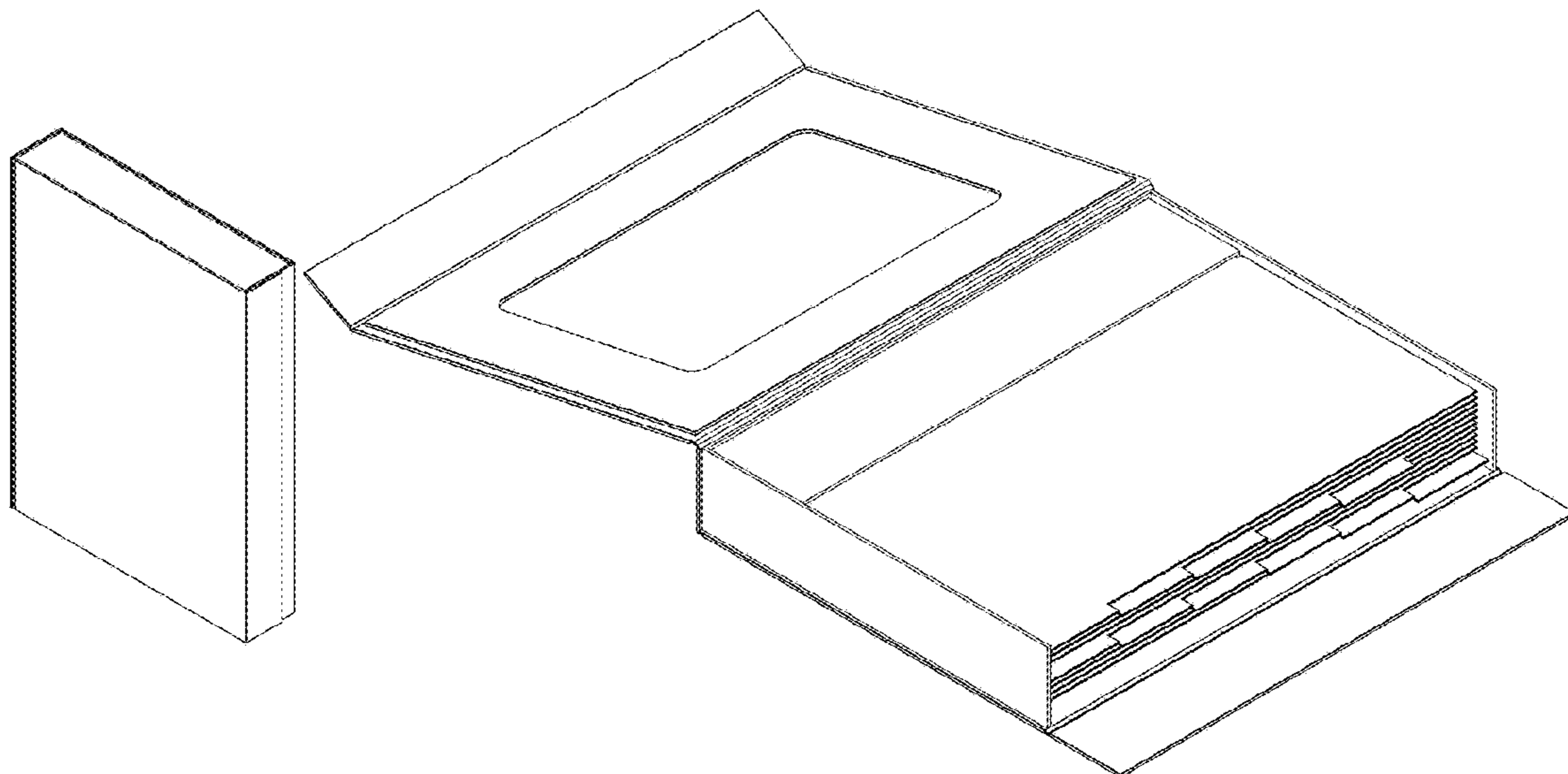
Primary Examiner — Elizabeth A. Albert
(74) *Attorney, Agent, or Firm* — Ware, Fressola, Maguire & Barber LLP

(57) **CLAIM**
The ornamental design for a document organizer, as shown and described.

DESCRIPTION

FIG. 1 is a front perspective view of the document organizer in a closed position.
FIG. 2 is a top view of the document organizer shown in FIG. 1.
FIG. 3 is a left side view of the document organizer shown in FIG. 1.
FIG. 4 is a front view of the document organizer shown in FIG. 1.
FIG. 5 is a right side view of the document organizer shown in FIG. 1; and,
FIG. 6 is a perspective view of the document organizer in an opened position.

1 Claim, 2 Drawing Sheets



(56)

References Cited

U.S. PATENT DOCUMENTS

D423,572 S * 4/2000 Tedaldi D19/26
 6,082,029 A * 7/2000 Hoffman G09F 23/00
 40/124.06
 6,666,332 B1 * 12/2003 DeWolf B65D 5/4208
 206/45.28
 D549,283 S * 8/2007 Bharna D19/27
 D575,150 S * 8/2008 Hageman D9/432
 7,634,895 B2 * 12/2009 Chan B65D 5/4204
 53/449
 D635,321 S * 3/2011 Eustis D34/39
 D640,746 S * 6/2011 Jour D19/92
 D669,352 S * 10/2012 Paslawski D9/423
 D688,307 S * 8/2013 Jour D19/86
 D780,844 S * 3/2017 Frommelt D19/26
 D803,315 S * 11/2017 Hsieh D19/91
 D820,080 S * 6/2018 Kase D9/420
 D823,391 S * 7/2018 Nichols D19/86
 D825,328 S * 8/2018 Simpson D9/432
 D843,724 S * 3/2019 Drendel D3/297
 D882,392 S * 4/2020 Haines D9/420
 D893,609 S * 8/2020 Schiumarini D19/26
 2003/0234281 A1 * 12/2003 Ho B42F 13/006
 229/67.3
 2009/0085343 A1 * 4/2009 Burch, V B42D 15/00
 283/67
 2011/0163153 A1 * 7/2011 Coetzee B42F 13/002
 229/67.4

* cited by examiner

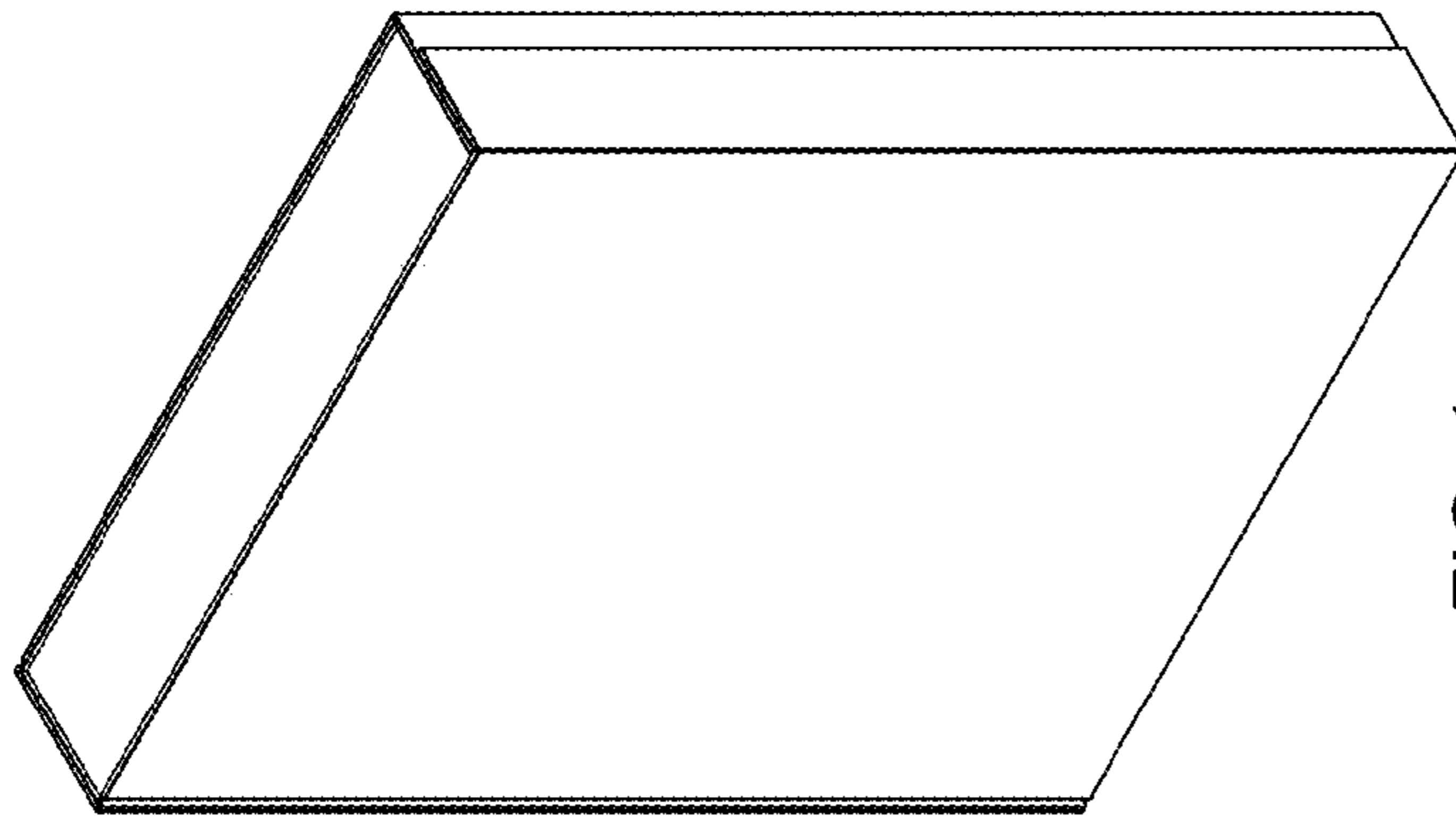


FIG. 1

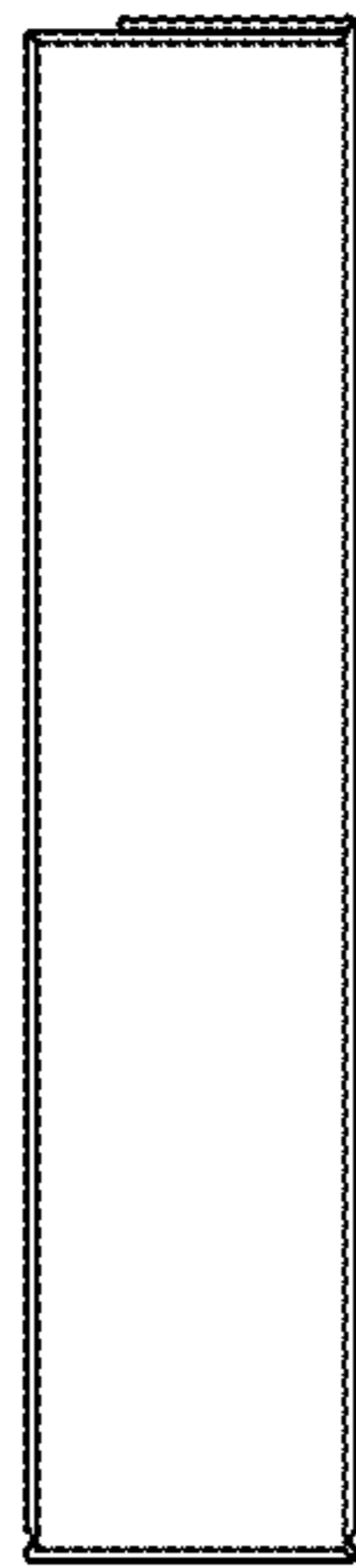


FIG. 2

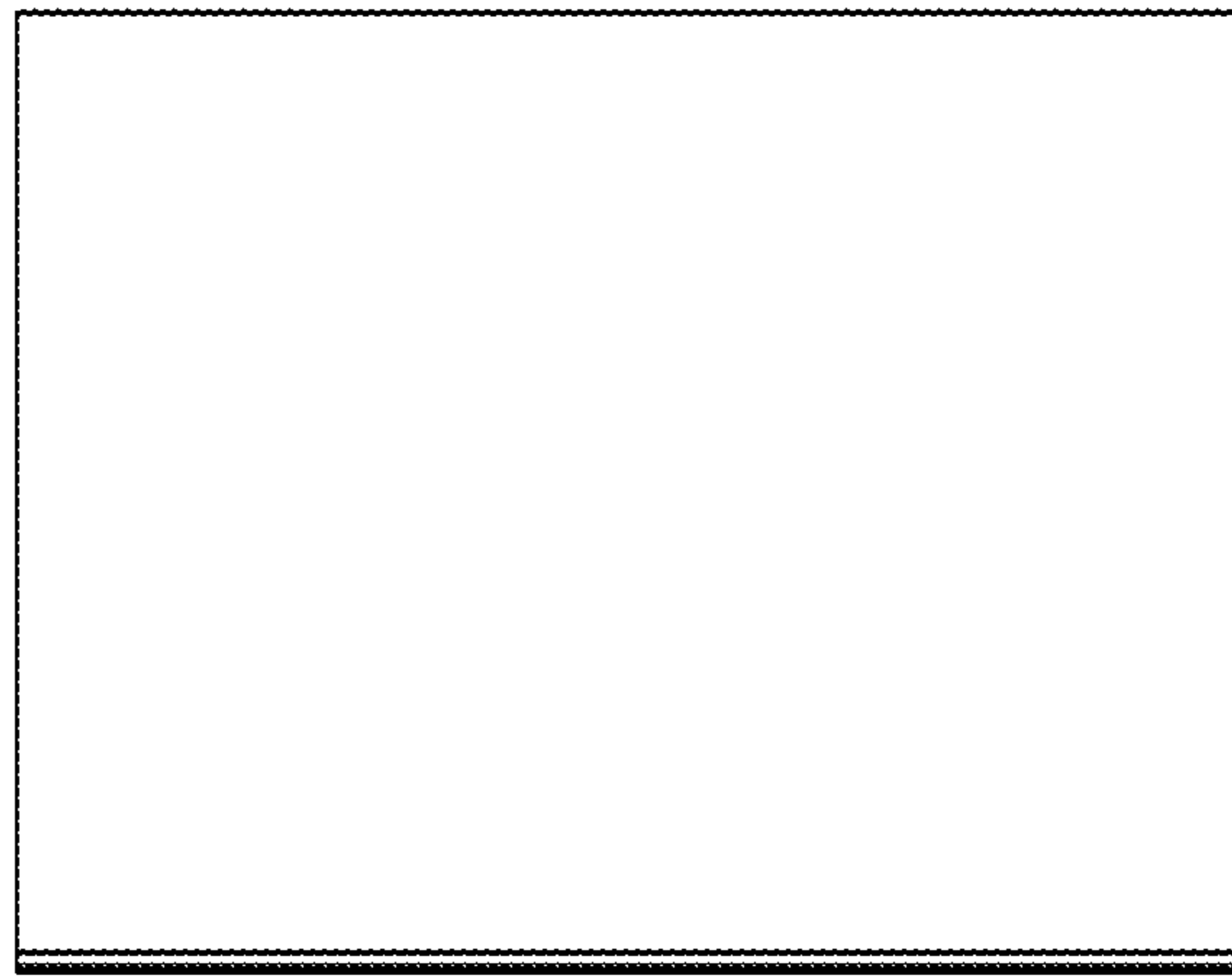


FIG. 3



FIG. 4



FIG. 5

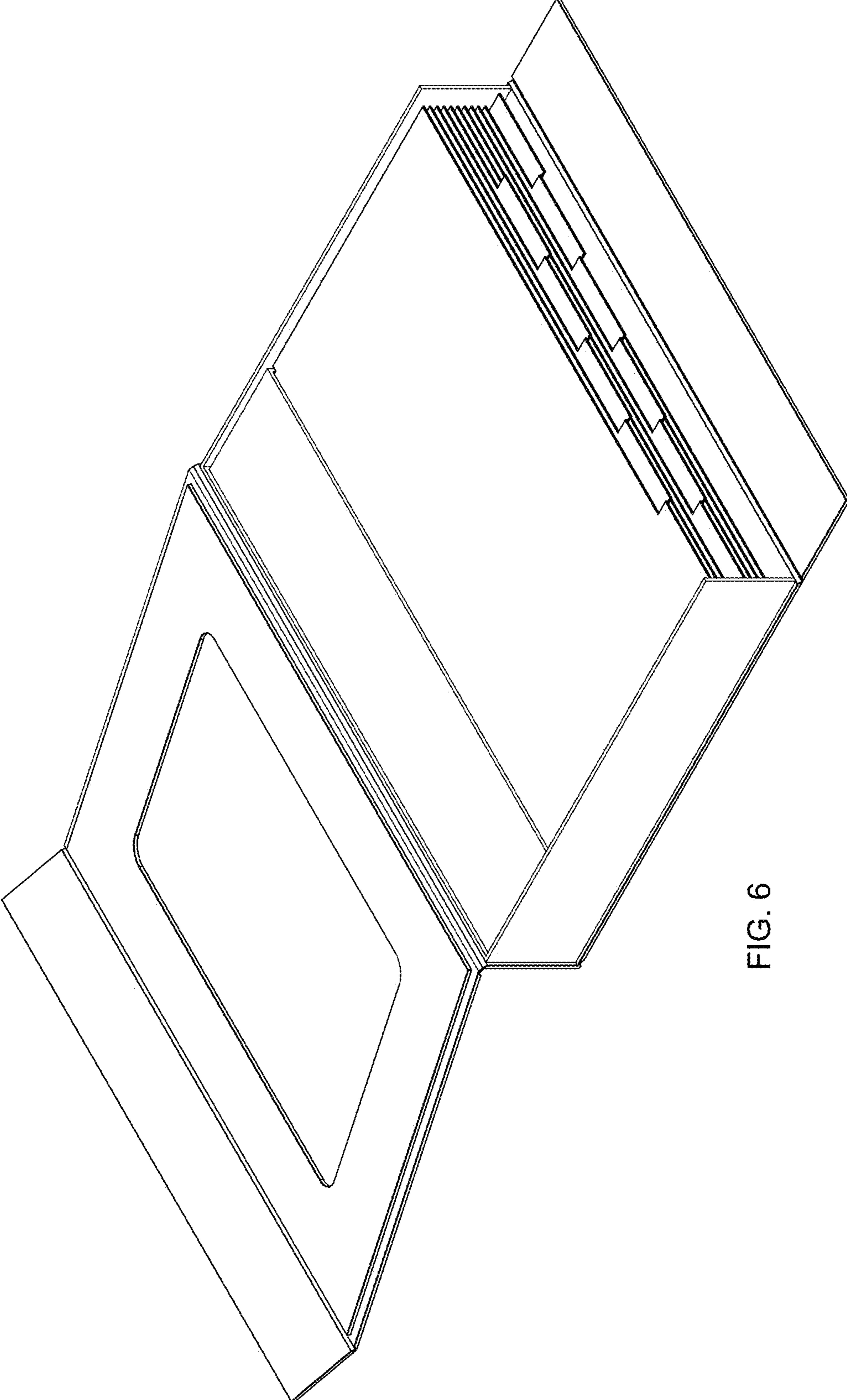


FIG. 6