



US00D908793S

(12) **United States Design Patent**  
**Magaudda**

(10) **Patent No.:** **US D908,793 S**

(45) **Date of Patent:** **\*\* Jan. 26, 2021**

(54) **WRITING IMPLEMENT HOLDER**

(71) Applicant: **Paul Magaudda**, La Jolla, CA (US)

(72) Inventor: **Paul Magaudda**, La Jolla, CA (US)

(\*\*) Term: **15 Years**

(21) Appl. No.: **29/708,721**

(22) Filed: **Oct. 9, 2019**

(51) **LOC (13) Cl.** ..... **19-06**

(52) **U.S. Cl.**  
USPC ..... **D19/81**

(58) **Field of Classification Search**  
USPC ..... D19/75, 77-85, 95, 135; D3/206, 301;  
D8/396  
CPC ..... A45C 11/34; A45C 11/36; B43K 23/016;  
B43K 23/06; B43K 23/00; B43K 23/001;  
B43K 23/126; B43M 99/00; B43M  
99/001; B43M 99/006; B43M 99/008  
See application file for complete search history.

3,911,531 A \* 10/1975 Buturuga ..... B42F 1/006  
24/10 R

4,173,358 A \* 11/1979 Wilson ..... B42F 9/001  
281/45

D301,489 S \* 6/1989 Aquila ..... D19/78

5,066,154 A \* 11/1991 Renaud ..... B43K 23/001  
401/131

5,788,197 A \* 8/1998 Tutela ..... A24F 13/22  
131/257

7,857,537 B2 \* 12/2010 Busam ..... B43K 23/001  
401/195

D678,415 S \* 3/2013 Gorbunov ..... D19/81

9,131,740 B2 \* 9/2015 Renaud ..... B43K 23/001

D805,581 S \* 12/2017 Chang ..... D19/75

D815,517 S \* 4/2018 Van Fleet ..... D8/396

10,421,311 B2 \* 9/2019 Mullen ..... B43K 23/001

2014/0331388 A1 \* 11/2014 Nunan ..... A45F 5/02  
2/244

2015/0258841 A1 \* 9/2015 Briganti ..... B42F 9/002  
24/67.3

\* cited by examiner

*Primary Examiner* — Elizabeth A. Albert  
(74) *Attorney, Agent, or Firm* — Meador & Engle; Alan Engle

(56) **References Cited**  
U.S. PATENT DOCUMENTS

637,889 A \* 11/1899 Parker ..... B42D 3/12  
281/30

1,482,659 A \* 2/1924 Oswald ..... B42F 9/001  
24/67.11

1,518,554 A \* 12/1924 Bering ..... B43K 23/001  
24/11 R

D119,284 S \* 3/1940 Rosenberg ..... D19/78

D182,341 S \* 3/1958 Pitcher ..... D19/81

3,195,253 A \* 7/1965 White ..... B42D 5/045  
40/119

3,430,300 A \* 3/1969 Doan ..... A61M 25/02  
24/304

3,577,604 A \* 5/1971 Brosk ..... B42D 3/14  
24/339

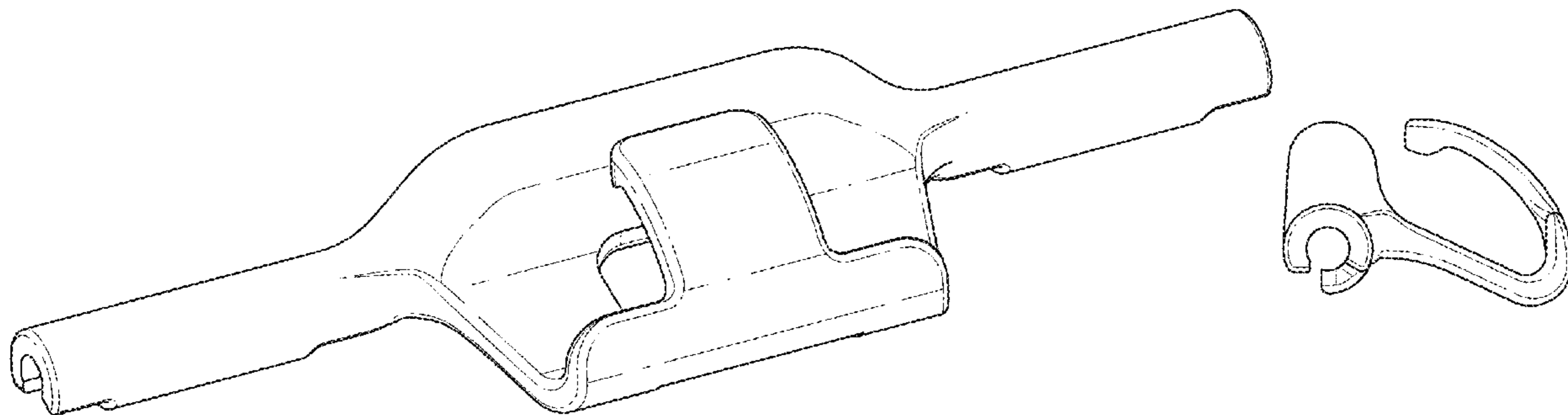
(57) **CLAIM**

The ornamental design for a writing implement holder, as shown and described.

**DESCRIPTION**

FIG. 1 is a top, front perspective view of the design.  
FIG. 2 is a bottom, rear perspective view of the design.  
FIG. 3 is a top view of the design.  
FIG. 4 is a bottom view of the design.  
FIG. 5 is a front view of the design.  
FIG. 6 is a rear view of the design.  
FIG. 7 is a side view of the design; and,  
FIG. 8 is a side view of the design.

**1 Claim, 3 Drawing Sheets**



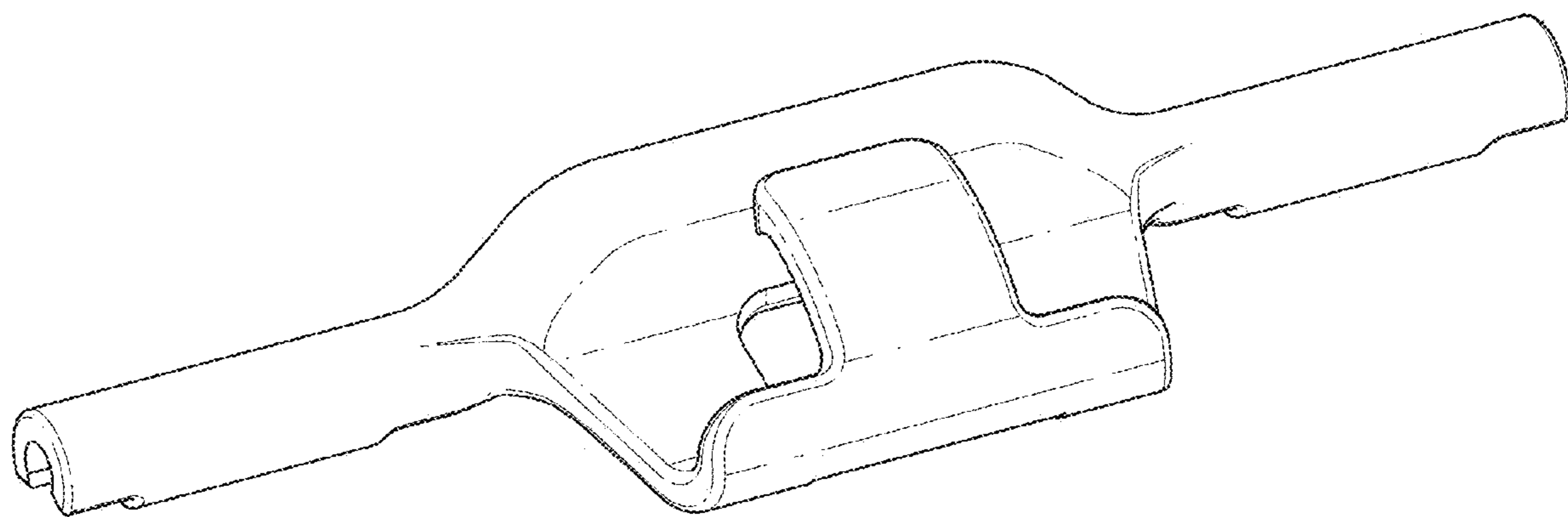


FIG. 1

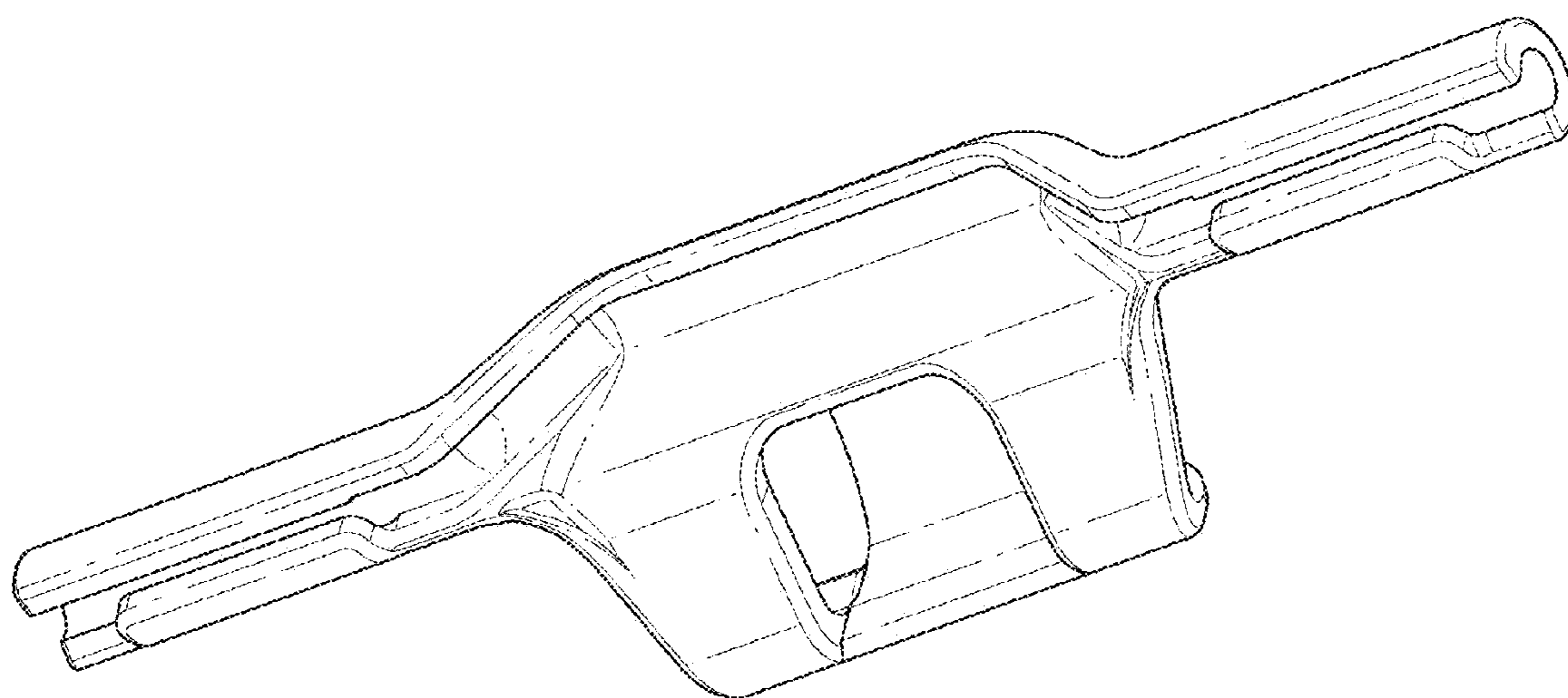


FIG. 2

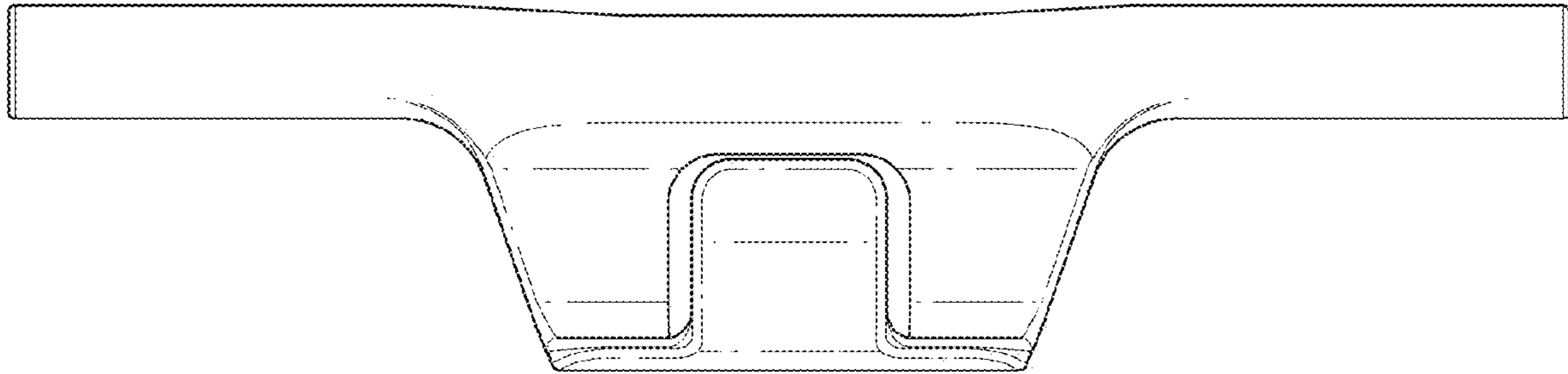


FIG. 3

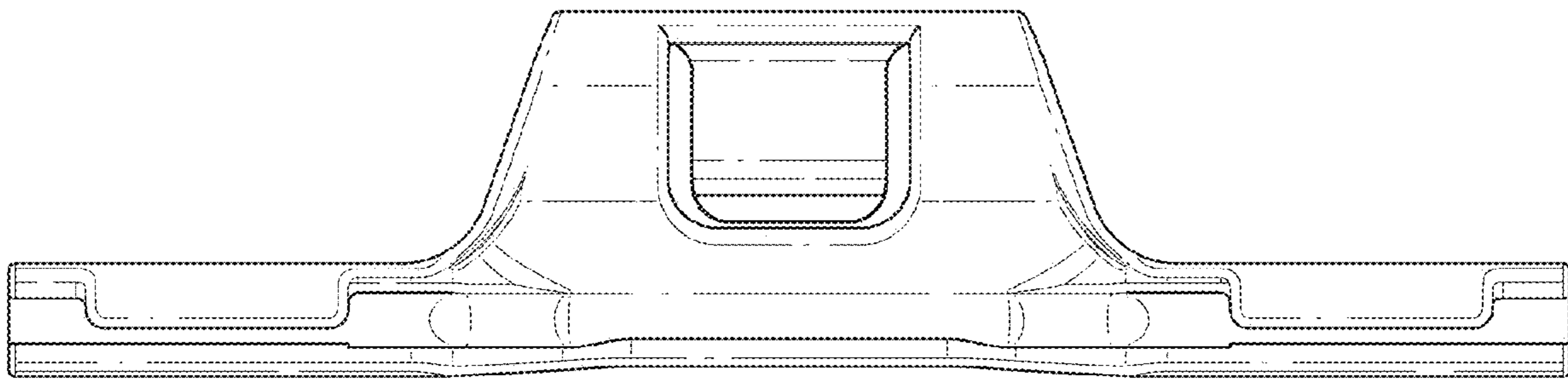


FIG. 4

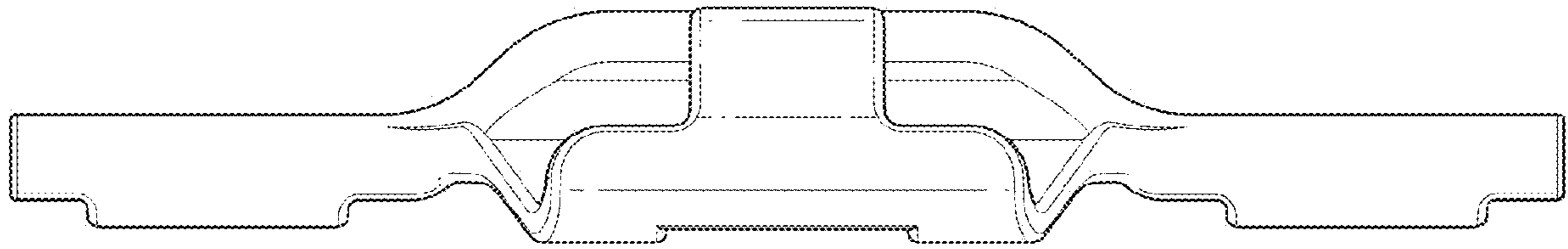


FIG. 5

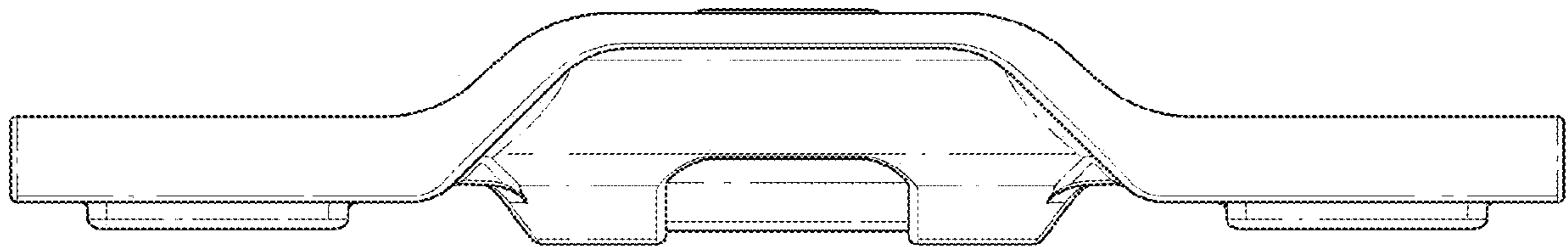


FIG. 6

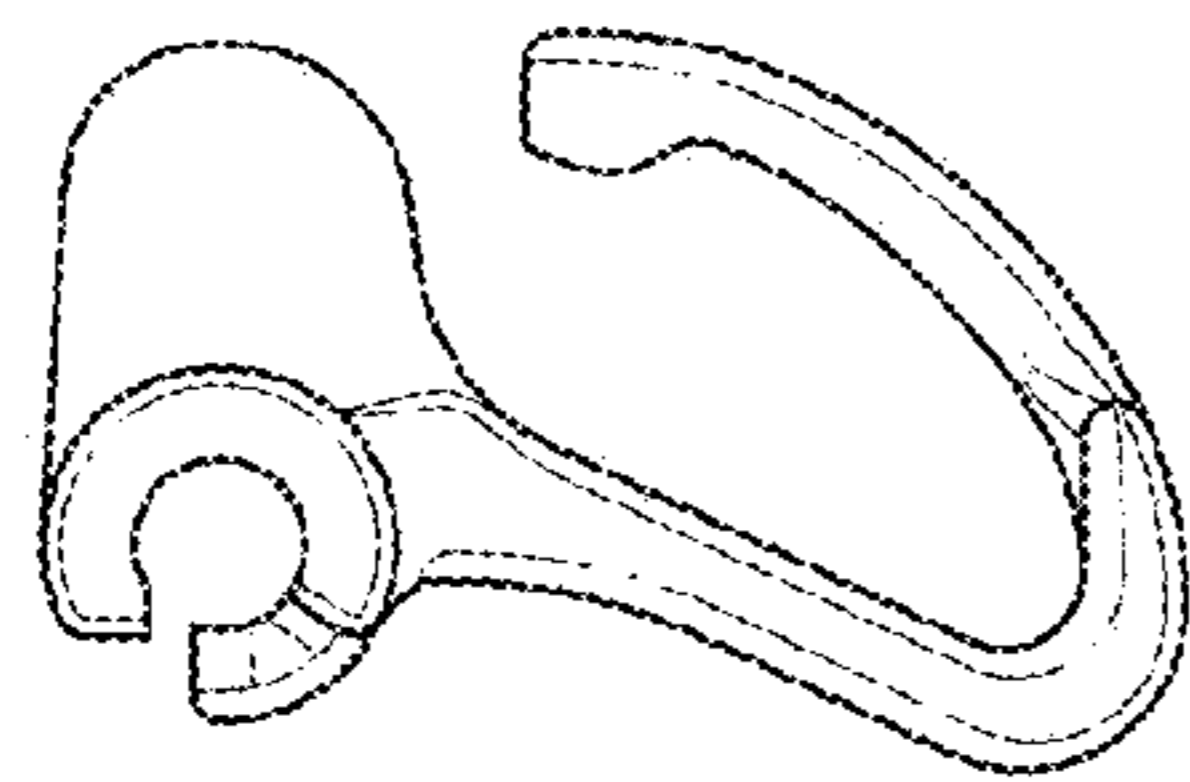


FIG. 7

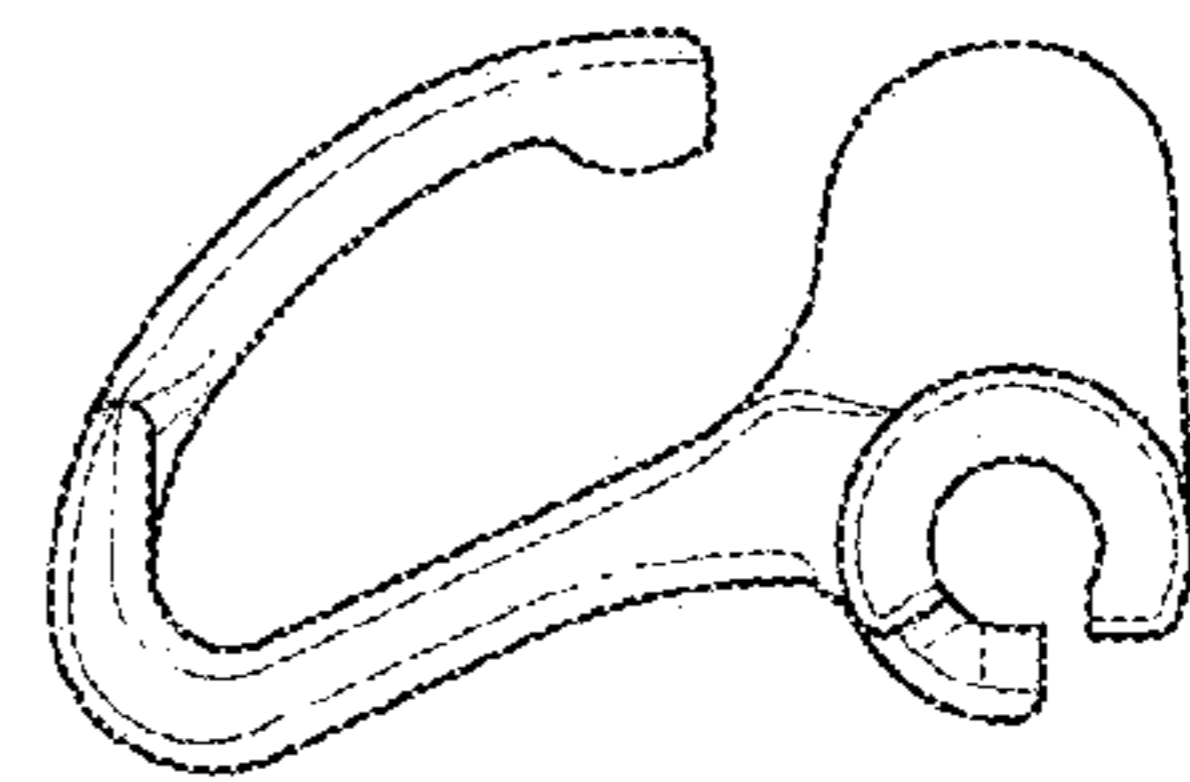


FIG. 8