



US00D908792S

(12) **United States Design Patent** (10) **Patent No.:** **US D908,792 S**  
**Hernandez et al.** (45) **Date of Patent:** **\*\* Jan. 26, 2021**

(54) **TAPE DISPENSER** 5,228,612 A \* 7/1993 Kuo ..... B65H 35/0026  
 225/47  
 (71) Applicant: **3M INNOVATIVE PROPERTIES** 6,311,923 B1 \* 11/2001 Tsai ..... B65H 35/0026  
**COMPANY, St. Paul, MN (US)** 242/588.6  
 6,651,857 B1 \* 11/2003 Tsai ..... B65H 35/0026  
 206/214  
 (72) Inventors: **Alonso M. Hernandez, St. Paul, MN** D553,686 S \* 10/2007 Chen ..... D19/69  
**(US); Aaron P. White, Menomonie, WI** D568,399 S \* 5/2008 Yu Chen ..... D19/69  
**(US)** D668,297 S \* 10/2012 Tello ..... D19/75  
 D671,989 S \* 12/2012 Refior ..... D19/69  
 D671,992 S \* 12/2012 Aquino ..... D19/69  
 (73) Assignee: **3M INNOVATIVE PROPERTIES** D701,901 S \* 4/2014 Bonacina ..... D19/69  
**COMPANY, St. Paul, MN (US)** D713,876 S \* 9/2014 Bonacina ..... D19/69  
 10,662,018 B2 \* 5/2020 Yamamoto ..... B65H 35/008  
 2004/0084496 A1 \* 5/2004 Yu Chen ..... B65H 35/004  
 225/25  
 2018/0370749 A1 \* 12/2018 Chu ..... B26D 7/2614

(\*\*) Term: **15 Years**

(21) Appl. No.: **29/687,698**

(22) Filed: **Apr. 15, 2019**

(51) **LOC (13) Cl.** ..... **19-02**

(52) **U.S. Cl.**  
USPC ..... **D19/69**

(58) **Field of Classification Search**  
USPC ..... D19/65-71, 75, 77, 85, 99, 100, 86, 90  
CPC ..... B65H 35/0026; B65H 35/0033; B65H  
35/0073; B65H 37/005; B65H 37/007  
See application file for complete search history.

(56) **References Cited**

**U.S. PATENT DOCUMENTS**

D188,709 S \* 8/1960 Helms ..... D19/69  
 3,265,264 A \* 8/1966 Stephens ..... B65H 35/0026  
 225/25  
 3,403,869 A \* 10/1968 Marchisen ..... B65H 35/0026  
 242/597.8  
 D226,333 S \* 2/1973 Reinecke ..... D19/69  
 D254,556 S \* 3/1980 Johnson ..... D19/69  
 4,752,023 A \* 6/1988 Lin ..... B65H 35/0026  
 225/26  
 D322,990 S \* 1/1992 Samuelson ..... D19/65  
 D325,394 S \* 4/1992 Ishii ..... D19/67

\* cited by examiner

*Primary Examiner* — Elizabeth A. Albert

(74) *Attorney, Agent, or Firm* — Eric E. Silverman

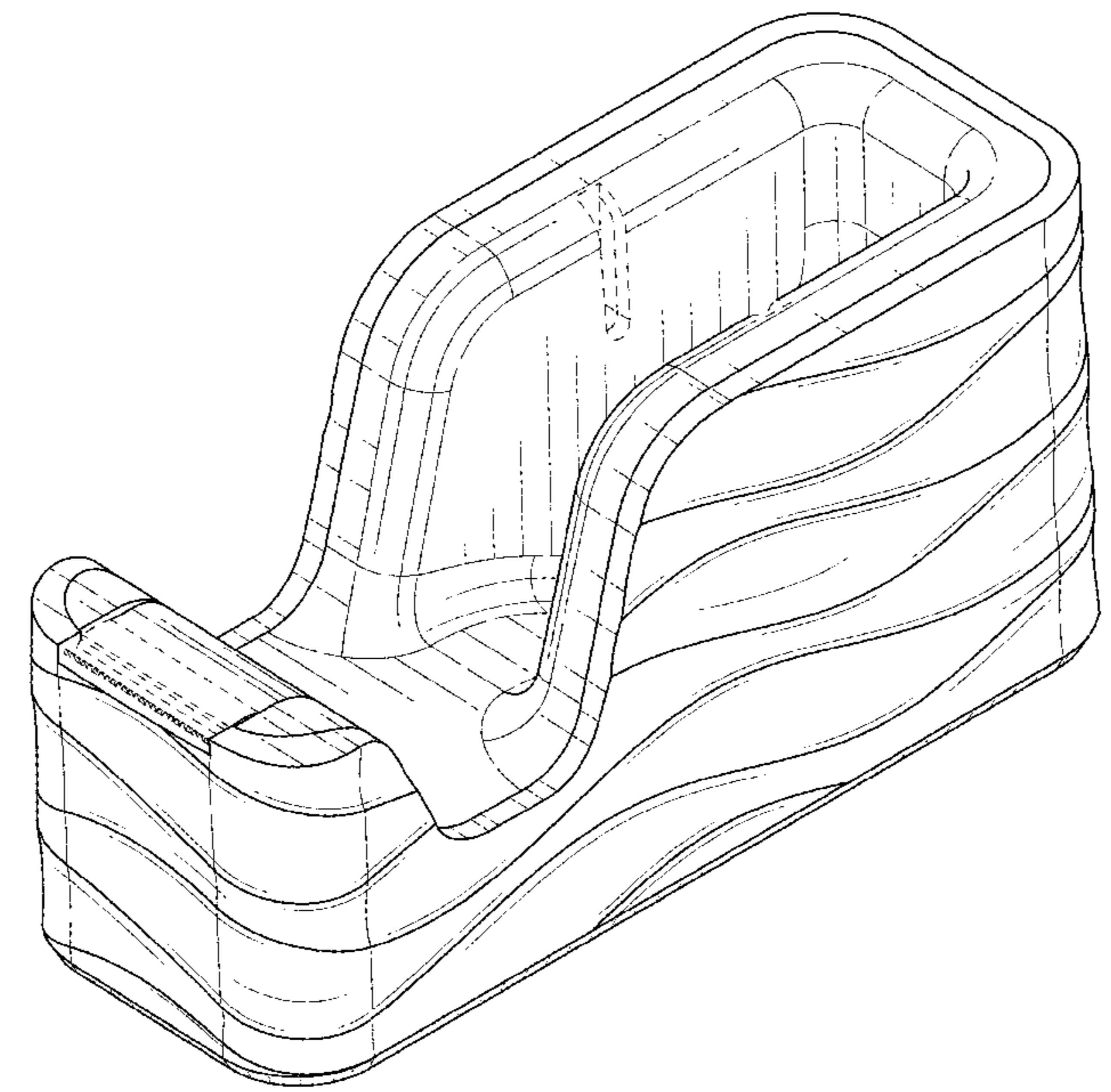
(57) **CLAIM**

The ornamental design for a tape dispenser, as shown and described.

**DESCRIPTION**

FIG. 1 is a perspective view showing the new design for a tape dispenser;  
 FIG. 2 is a right side view thereof;  
 FIG. 3 is a left side view thereof;  
 FIG. 4 is a front view thereof;  
 FIG. 5 is a rear view thereof;  
 FIG. 6 is a top view thereof;  
 FIG. 7 is a bottom view thereof; and,  
 FIG. 8 is a perspective view thereof with a tape.  
 The portions of the tape dispenser in FIGS. 1-8 shown in broken lines are included to show features that form no part of the claimed design.

**1 Claim, 7 Drawing Sheets**



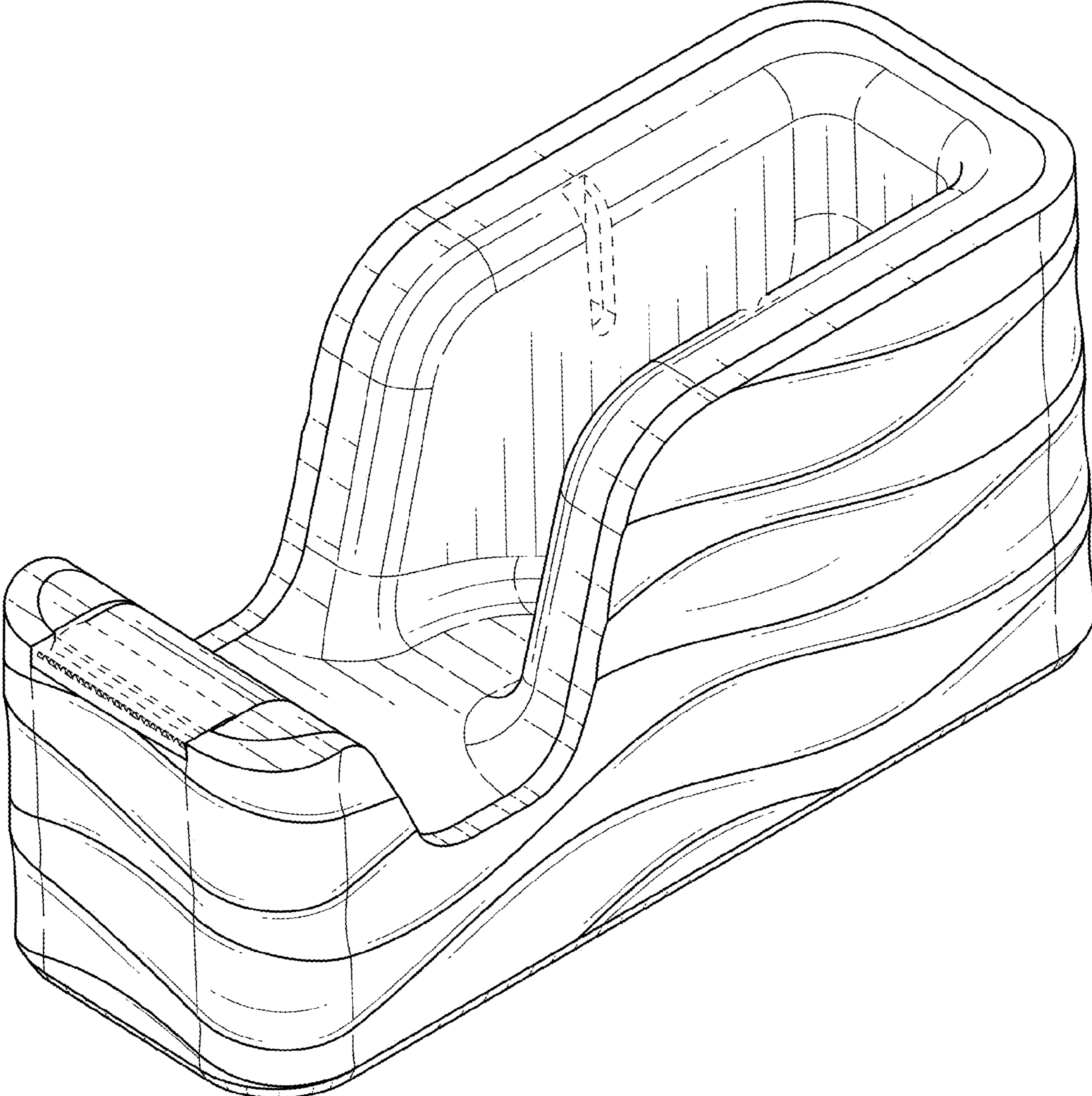


FIG. 1

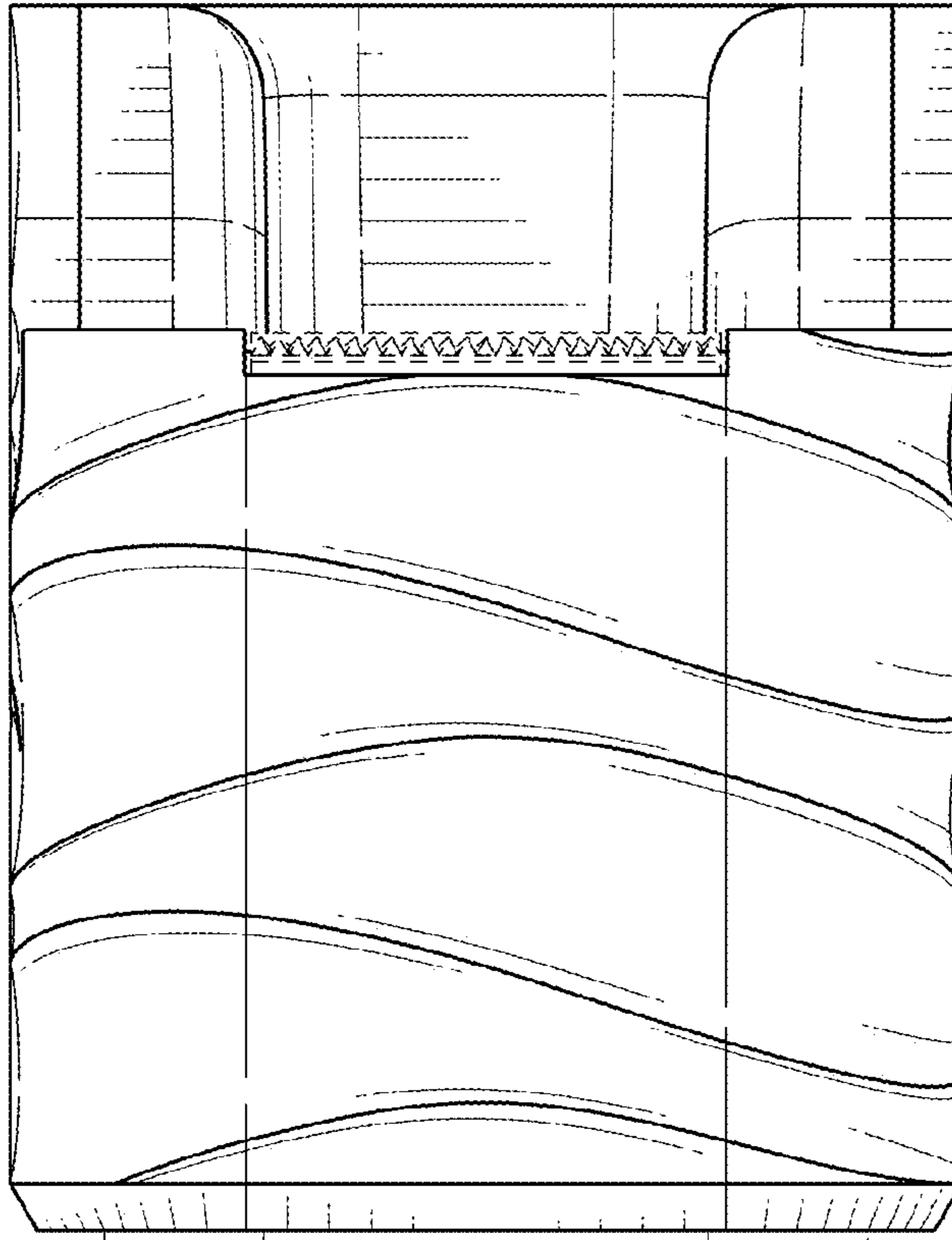


FIG. 2

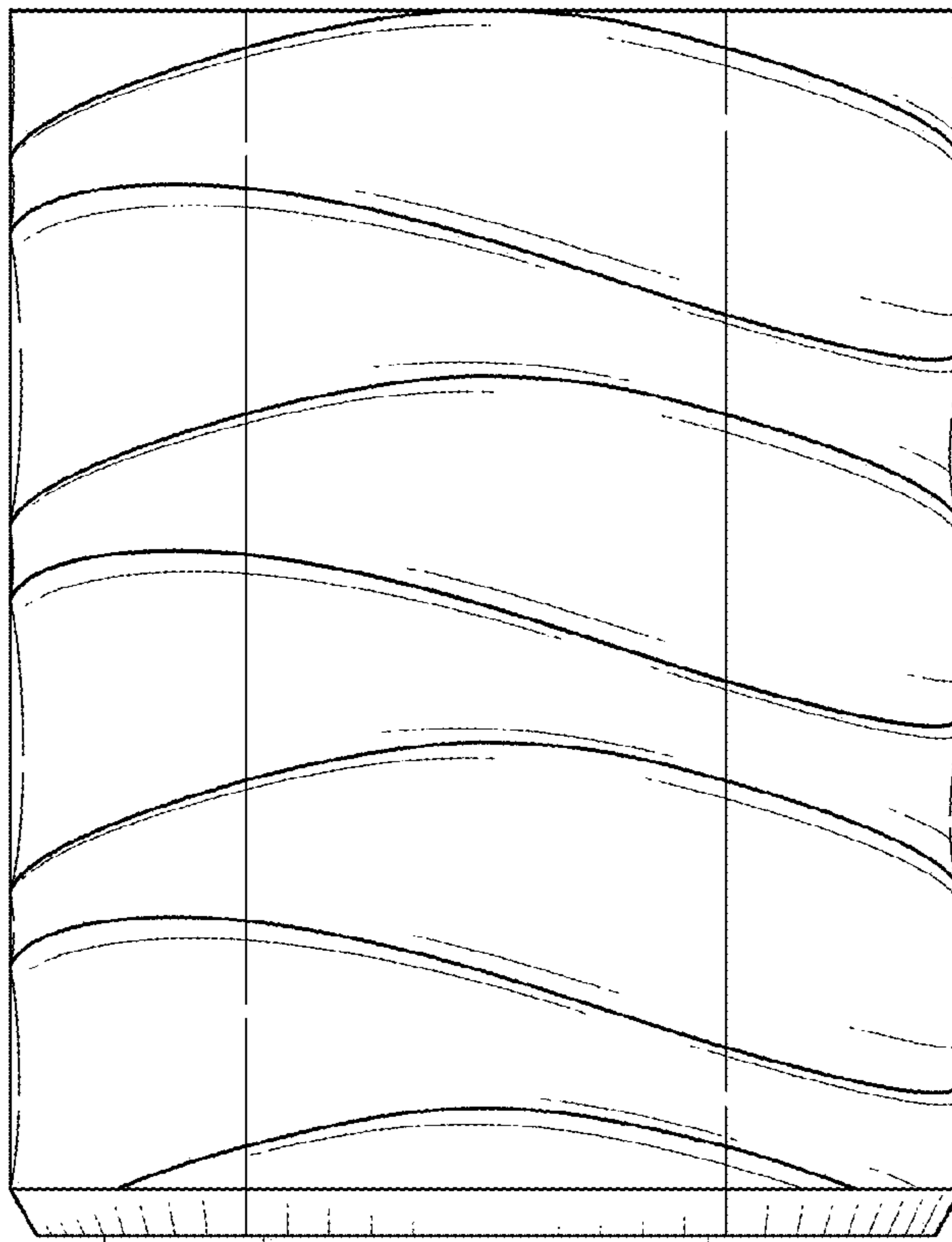


FIG. 3



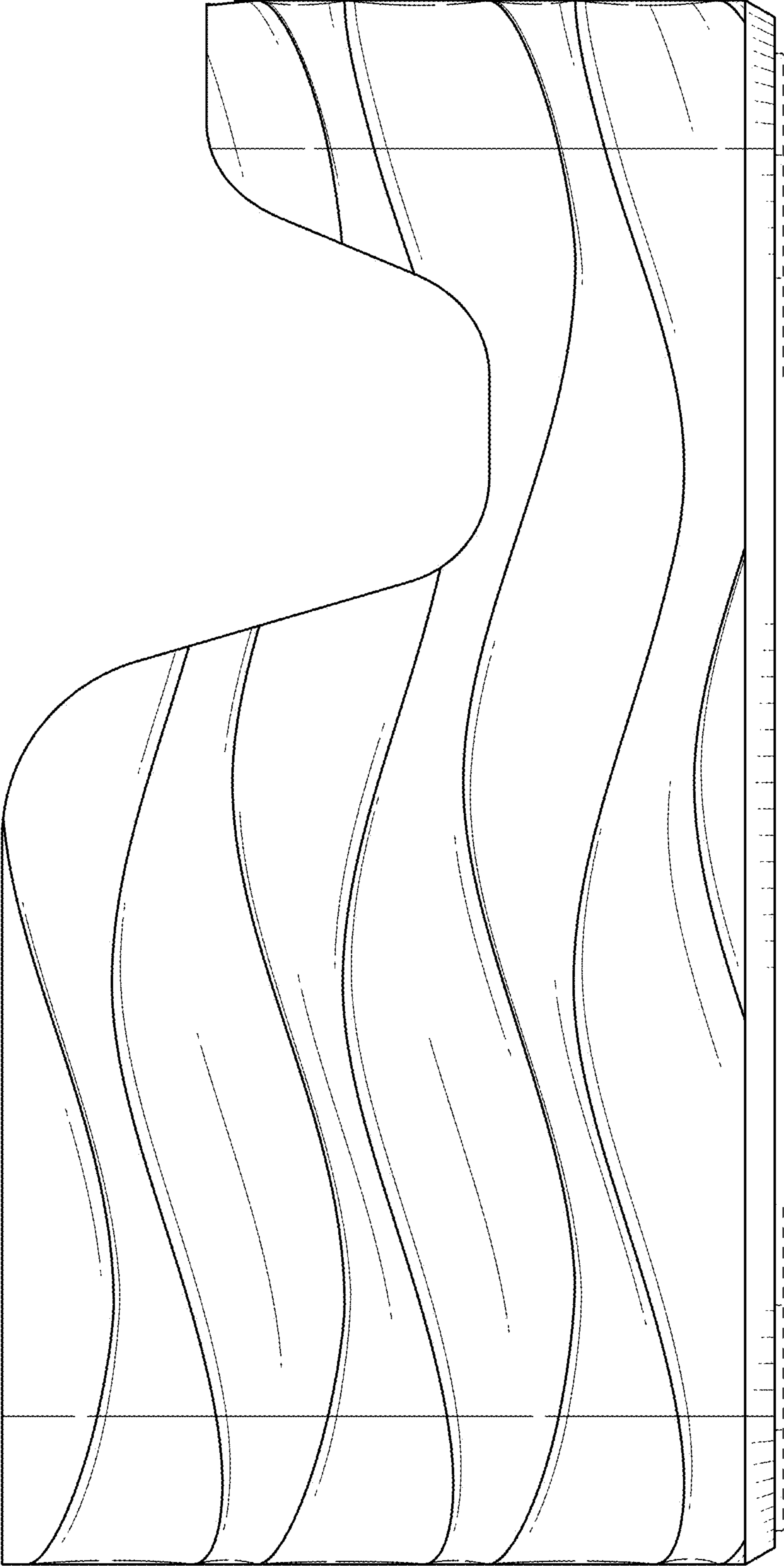


FIG. 4

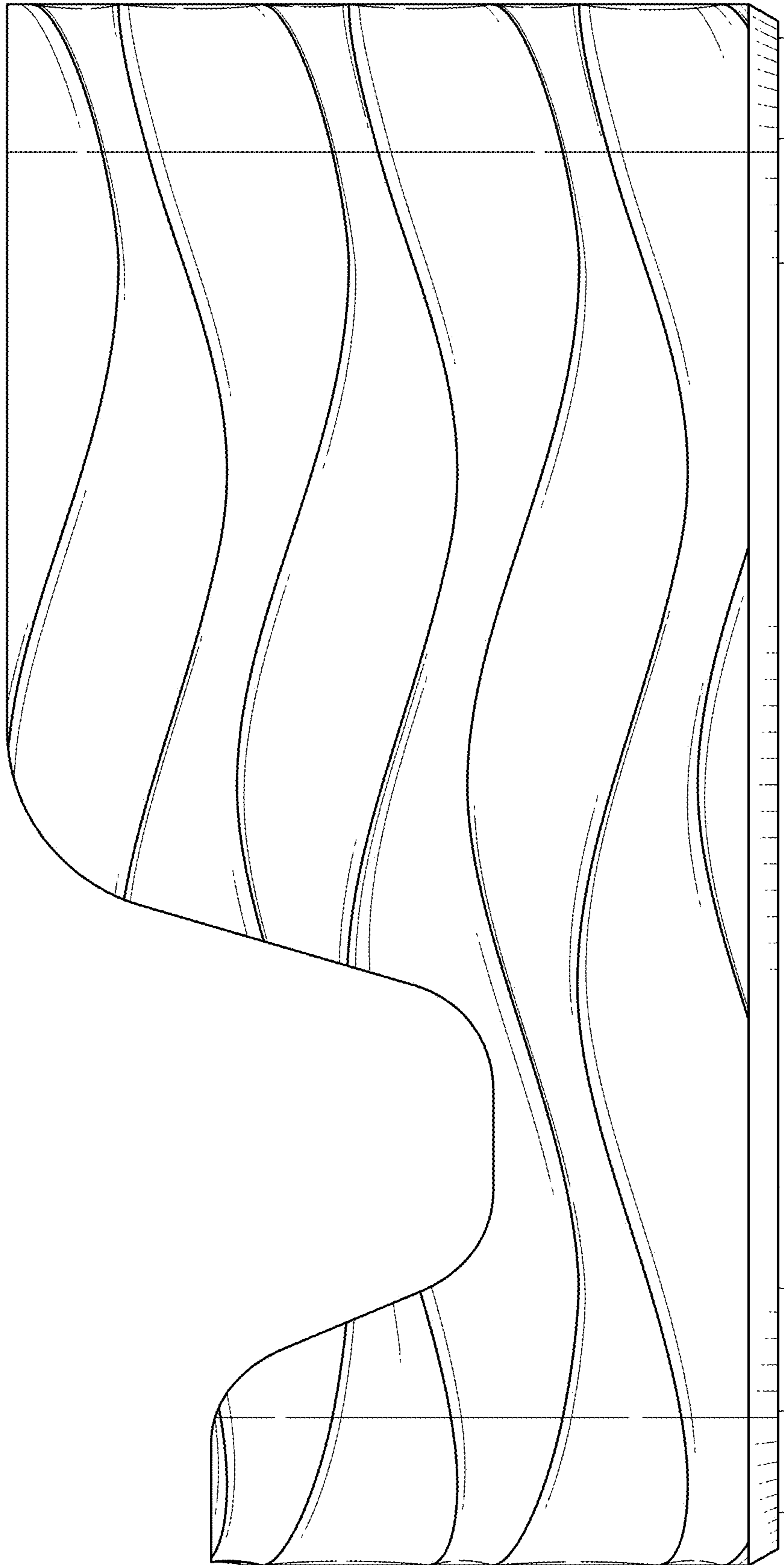


FIG. 5

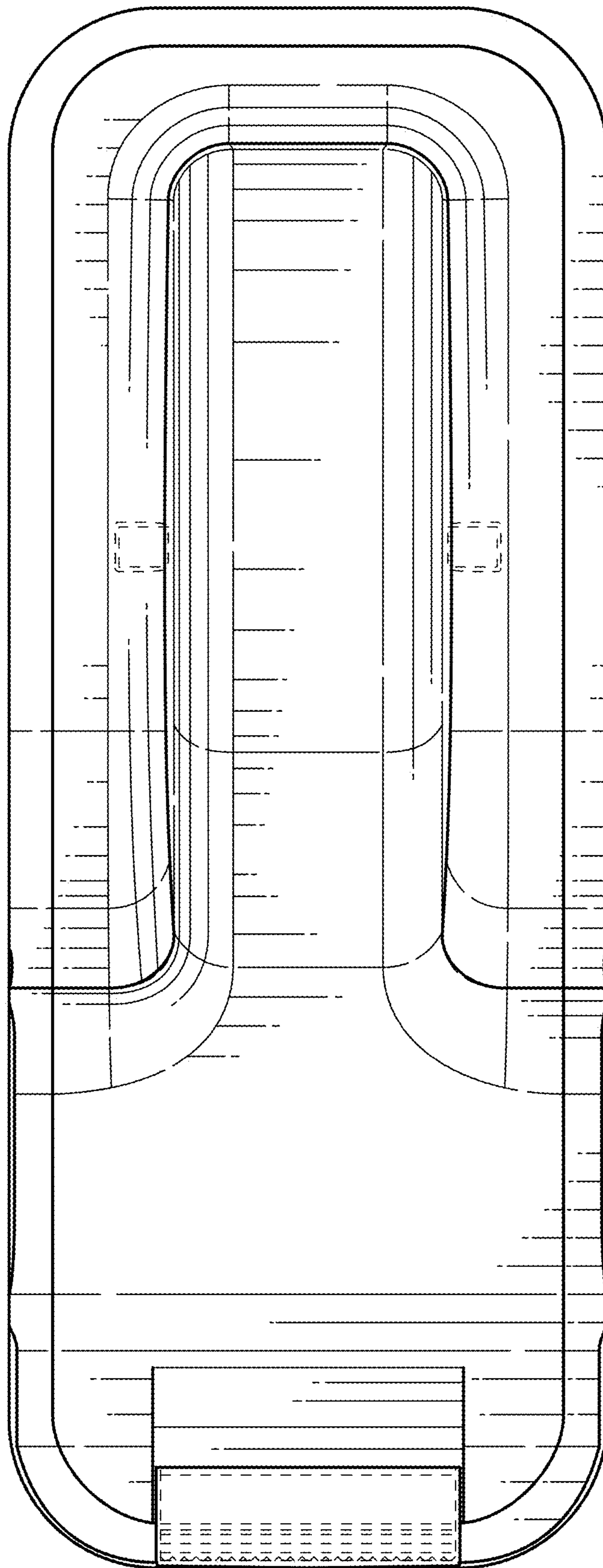


FIG. 6

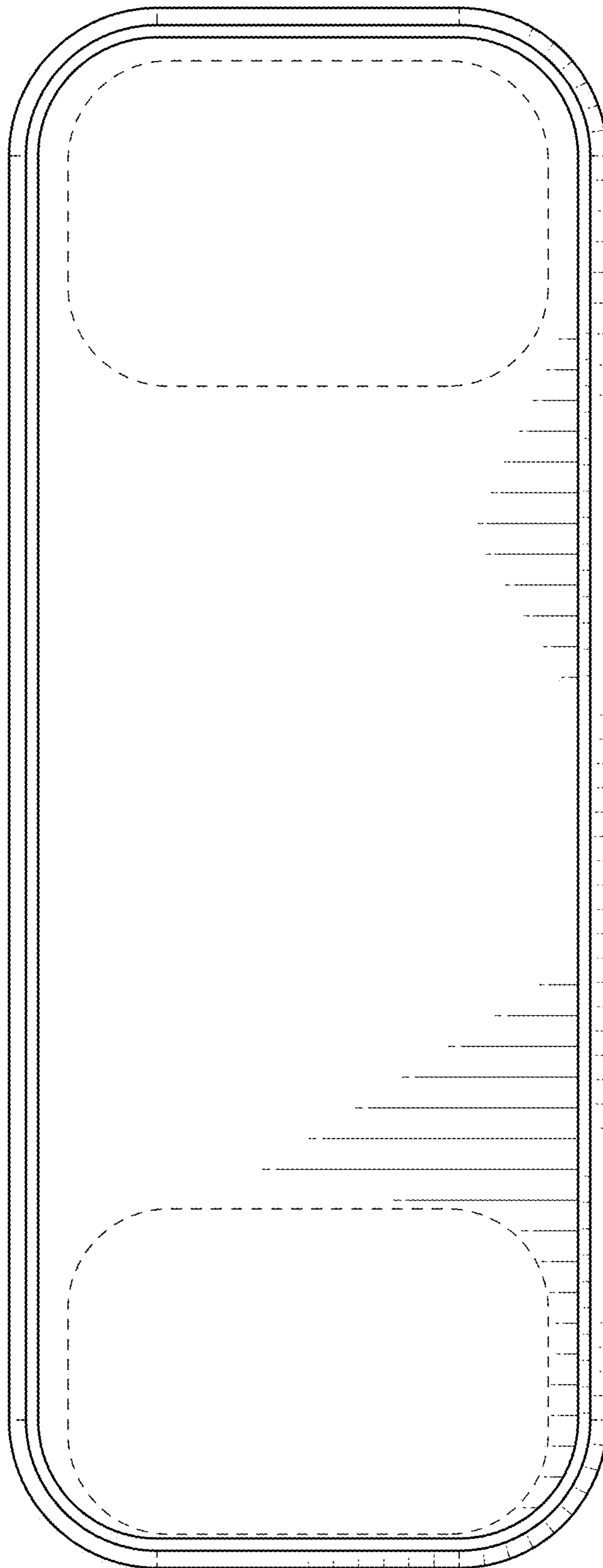


FIG. 7

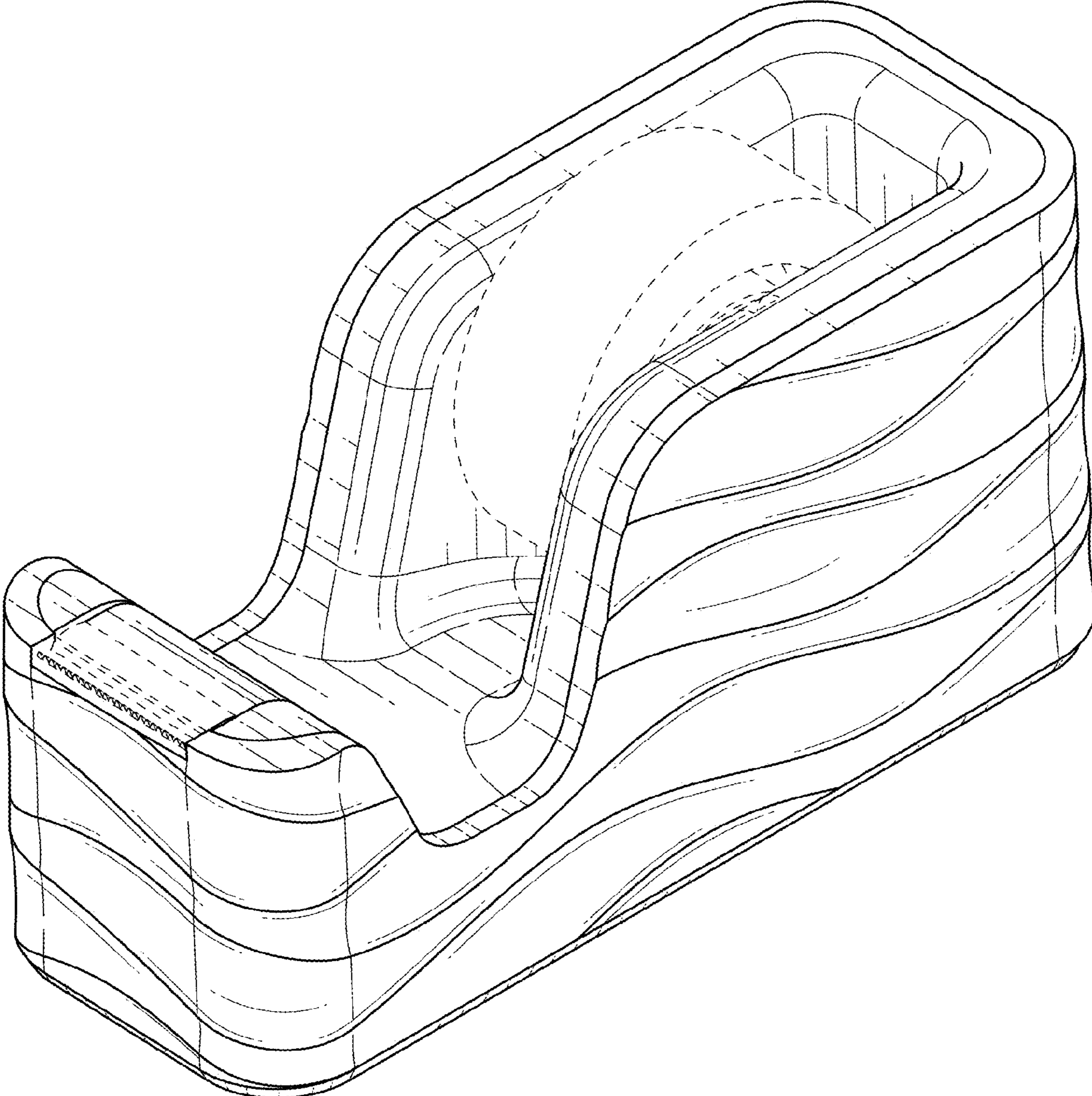


FIG. 8