



US00D908791S

(12) **United States Design Patent** (10) **Patent No.:** **US D908,791 S**  
**Dodaro et al.** (45) **Date of Patent:** **\*\* Jan. 26, 2021**

(54) **GREETING CARD**

(71) Applicants: **Carmine Francesco Dodaro**, North York (CA); **Pietro Domenichiello**, Mississauga (CA); **Ignazio Giammarresi**, Mississauga (CA)

(72) Inventors: **Carmine Francesco Dodaro**, North York (CA); **Pietro Domenichiello**, Mississauga (CA); **Ignazio Giammarresi**, Mississauga (CA)

(\*\*) Term: **15 Years**

(21) Appl. No.: **29/677,748**

(22) Filed: **Jan. 23, 2019**

(30) **Foreign Application Priority Data**

Jan. 23, 2019 (CA) ..... 185781

(51) **LOC (13) Cl.** ..... **19-01**

(52) **U.S. Cl.**  
USPC ..... **D19/1**

(58) **Field of Classification Search**  
USPC ..... D19/1-8, 82, 100; 40/124.01-124.15, 40/582, 540, 443, 442, 902, 672, 617, 40/599, 331, 359, 360, 625, 717, 455, 40/124.191, 493, 501; 446/147, 215, 217, 446/227, 228, 236, 238; 362/806, 808, 362/257, 362, 375, 427, 351; 428/42.1, 428/203-204, 913.3, 7-11, 15-18, 542.2; 283/2-4, 74-75, 91, 103, 105-106; D20/10, 22, 42, 27, 40; 229/92, 92.1, 229/92.8, 300-303; D11/131, 117, 141, D11/157-158, 164, 184; 206/449, 308.3; D21/660, 476, 467, 465; D26/1, 24, D26/93-94, 104-110  
CPC ..... B42D 25/00; B42D 25/20; B42D 25/23; B42D 25/26; B42D 25/29; B42D 25/30; B42D 25/285; B42D 15/022; B42D

15/027; B42D 15/045; B42D 15/042; B42D 2033/00; B42D 2033/02; B42D 2033/04; B42D 2033/08; B42D 2033/10; B42D 2033/16; B42D 2033/18; B42D 2033/20; B42D 2033/22; B42D 2033/28; B42D 2033/30; G09F 1/00; G09F 1/06; G09F 1/08; G09F 19/02; G09F 19/08; F21V 17/00; F21S 13/12

See application file for complete search history.

(56) **References Cited**

U.S. PATENT DOCUMENTS

D542,346 S *	5/2007	Barton	.....	D19/2
D724,659 S *	3/2015	Begin	.....	D19/1
D778,354 S *	2/2017	Shlonsky	.....	D19/1
D824,997 S *	8/2018	Dennis	.....	D19/1

\* cited by examiner

*Primary Examiner* — Abraham Bahta  
(74) *Attorney, Agent, or Firm* — The H.T. Than Law Group

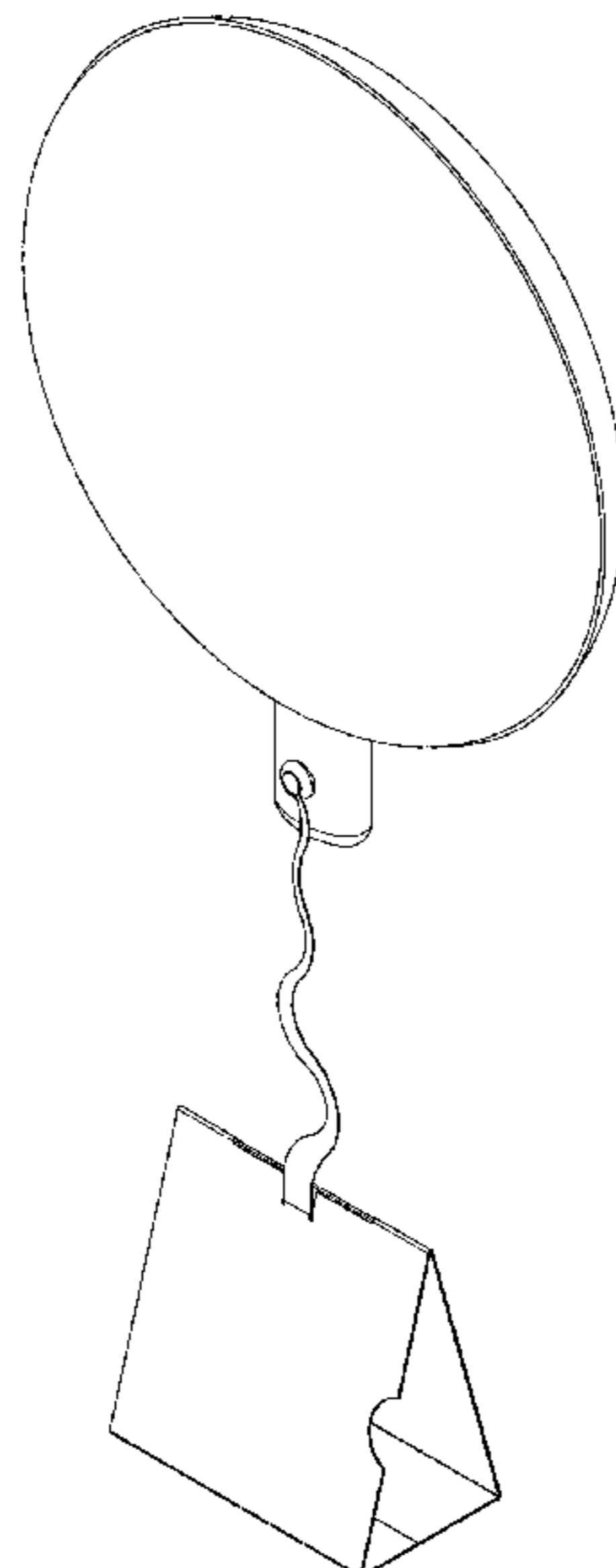
(57) **CLAIM**

The ornamental design for a greeting card, as shown and described.

**DESCRIPTION**

FIG. 1 is a perspective view of the greeting card showing our new design;  
FIG. 2 is a left side view thereof;  
FIG. 3 is a front elevational view thereof;  
FIG. 4 is a right side view thereof;  
FIG. 5 is a rear elevational view thereof;  
FIG. 6 is a top plan view thereof; and,  
FIG. 7 is a bottom plan view thereof.  
All portions shown in broken lines are not disclaimed and form parts of the claimed design

**1 Claim, 4 Drawing Sheets**



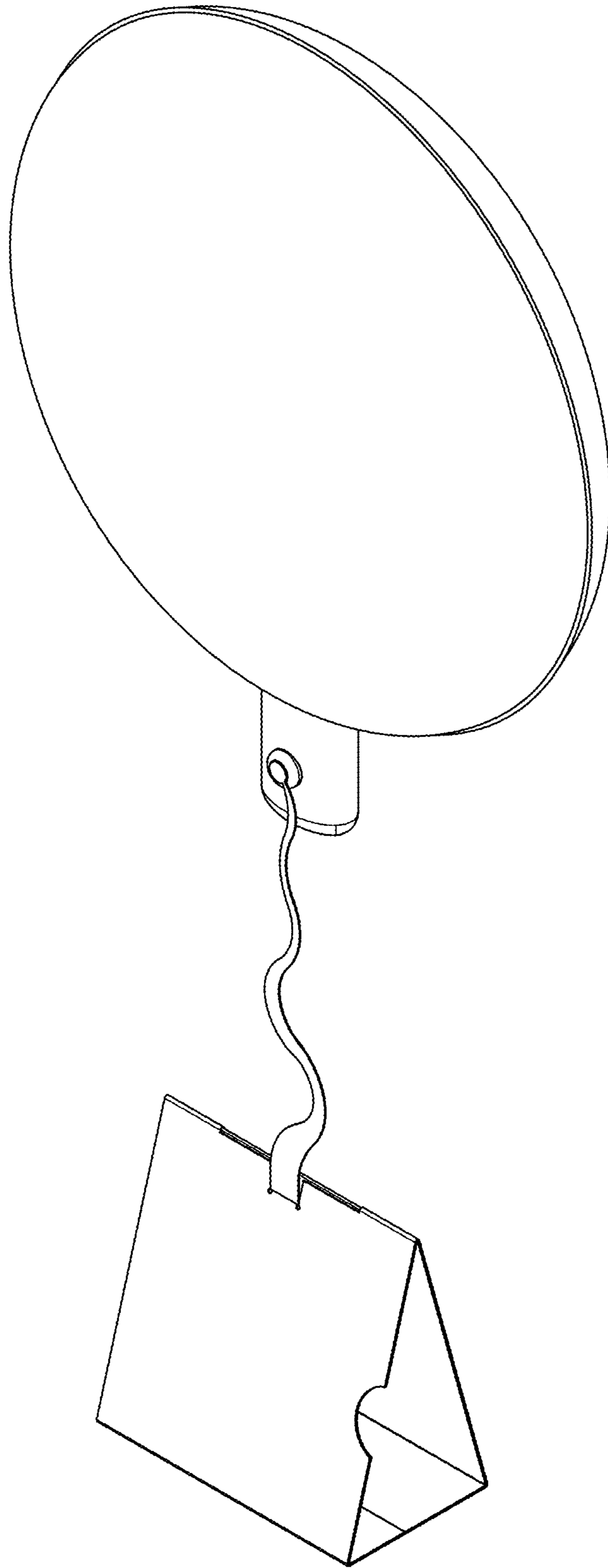


Fig. 1

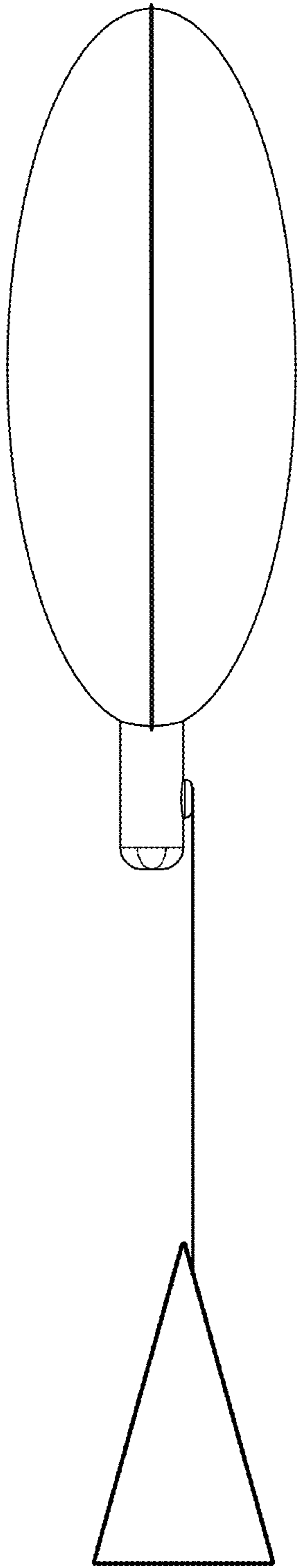


Fig. 2

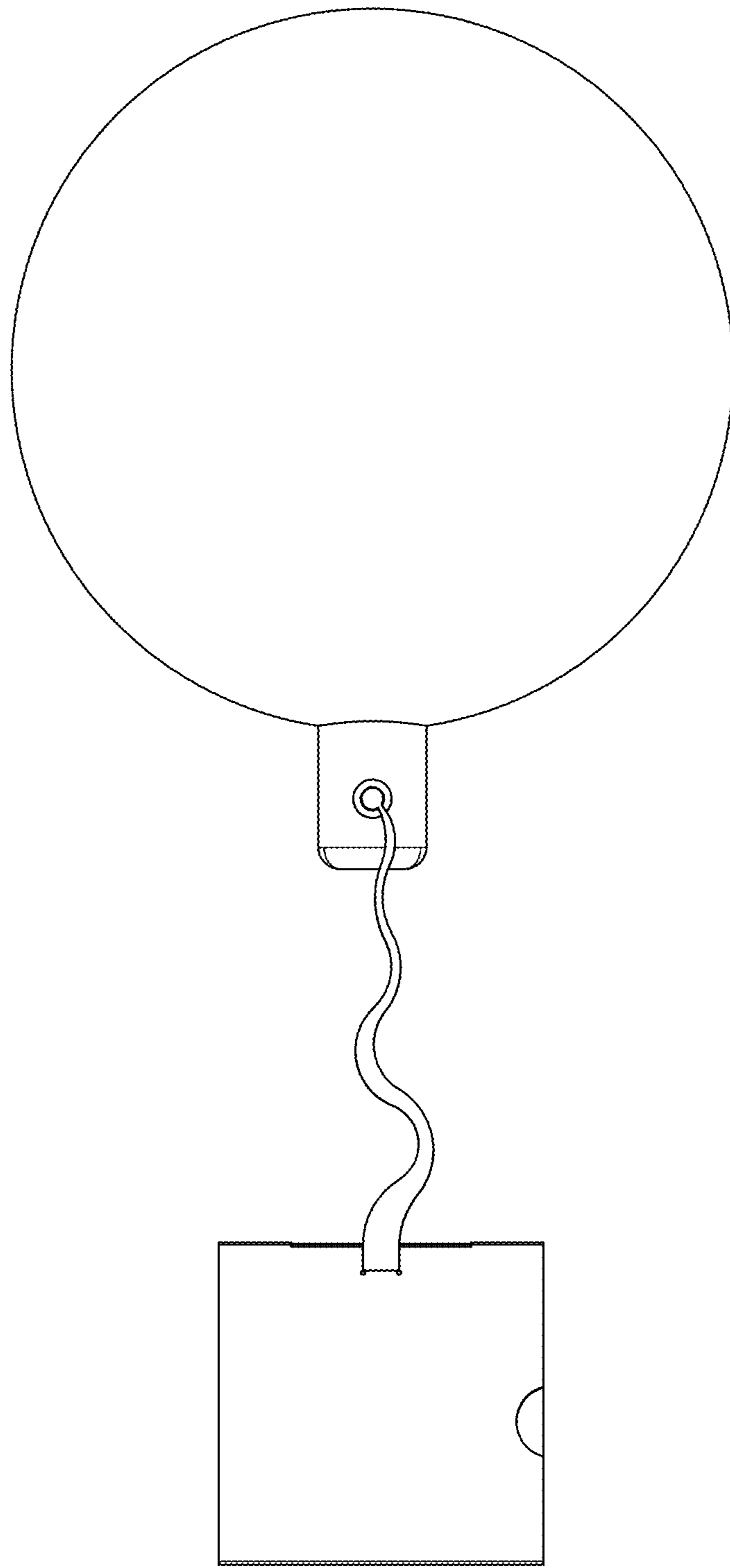


Fig. 3

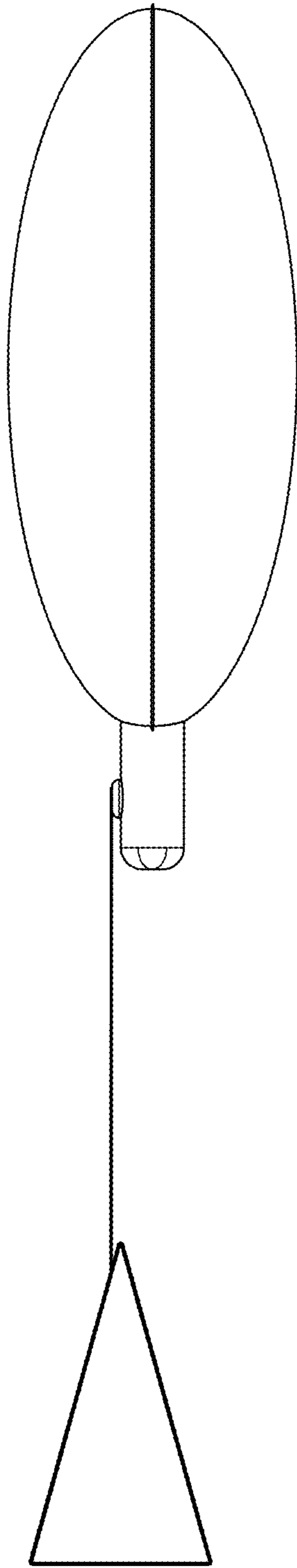


Fig. 4

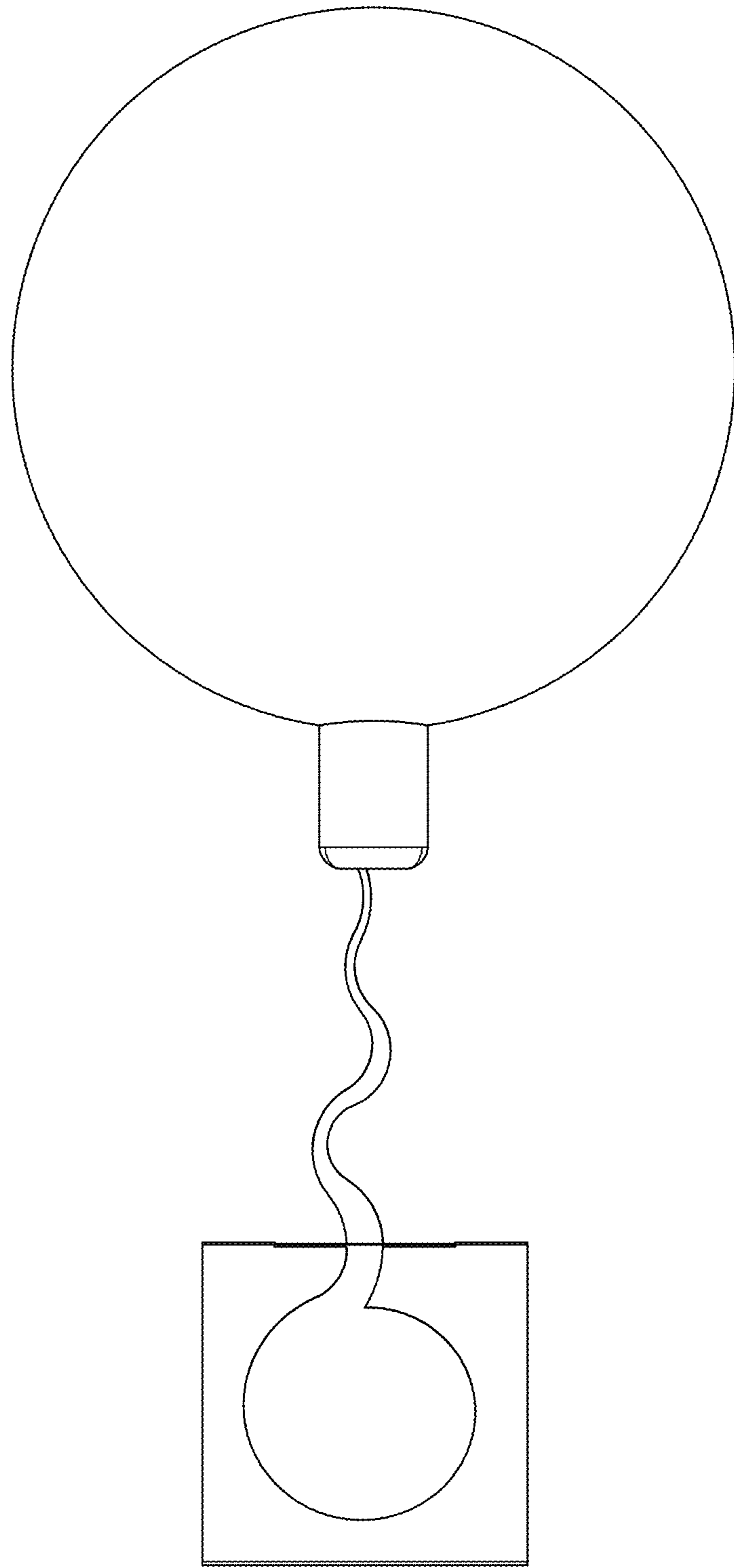


Fig. 5

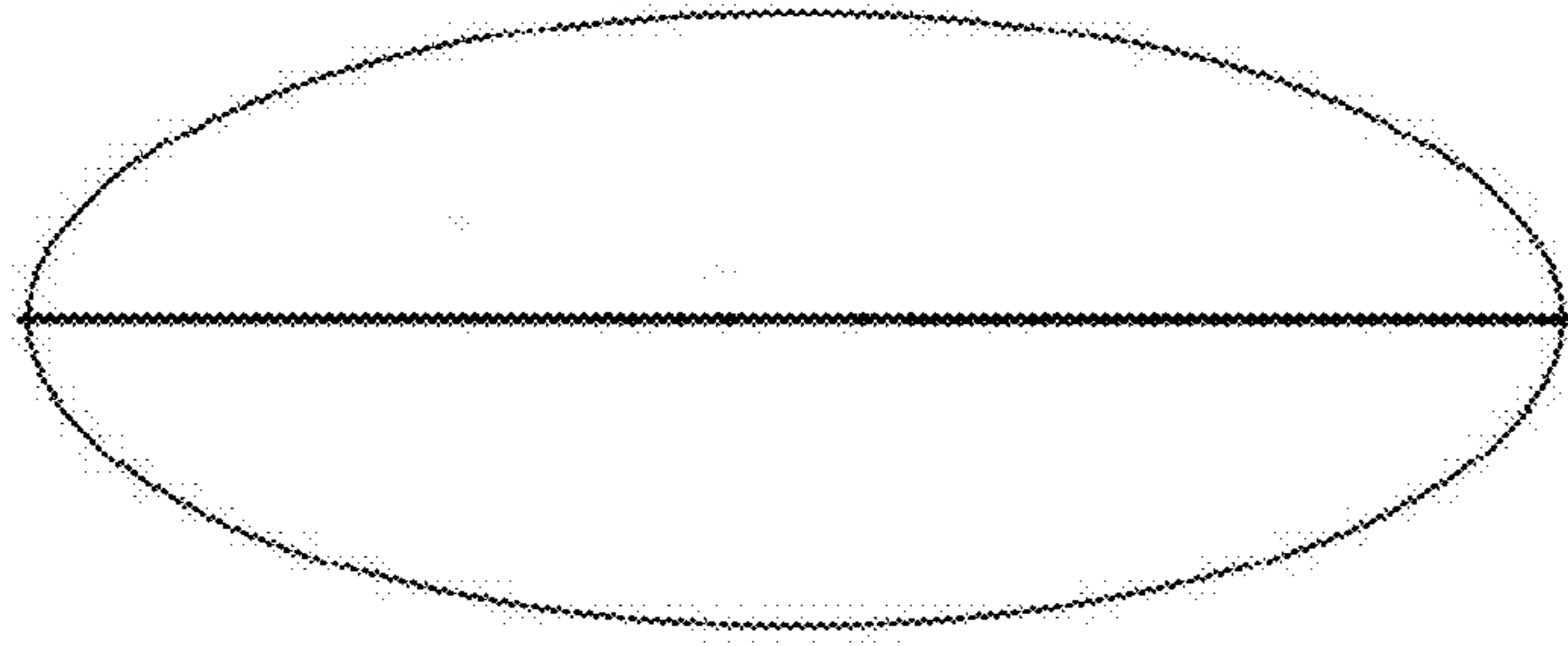


Fig. 6

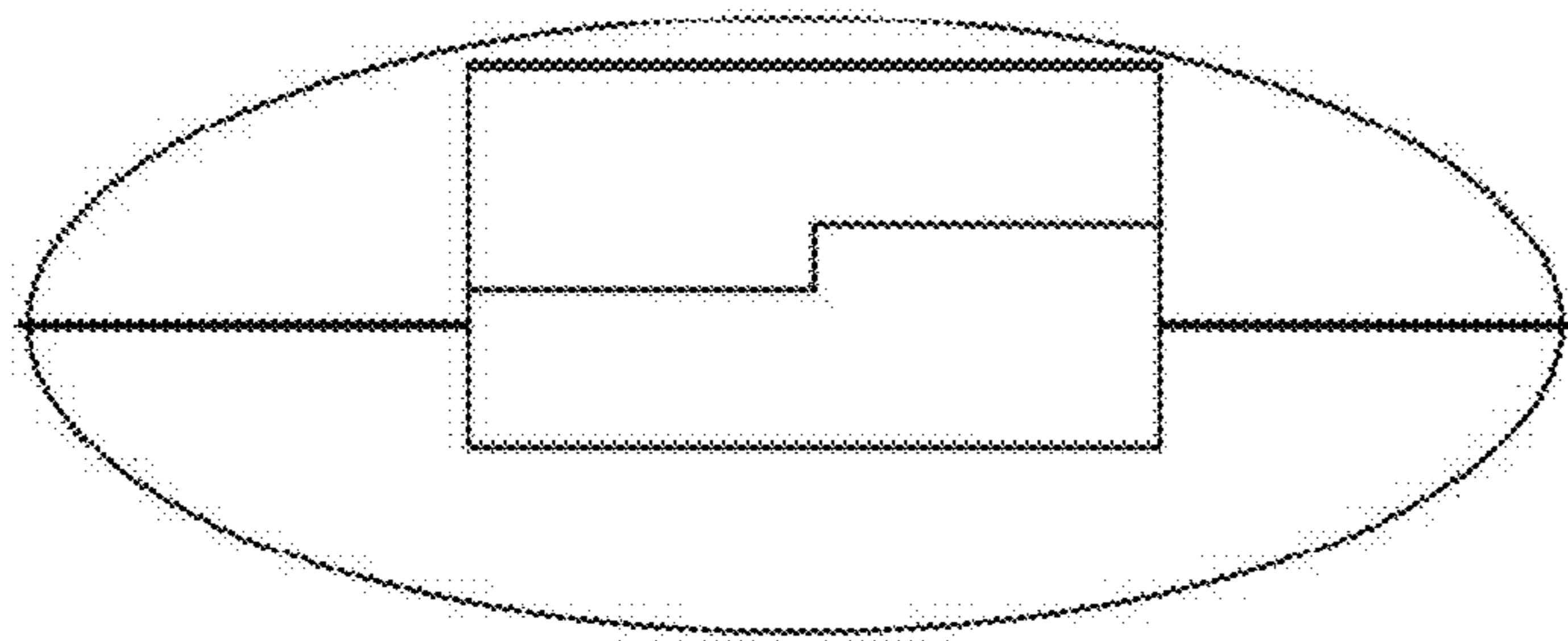


Fig. 7