



US00D908788S

(12) **United States Design Patent** (10) **Patent No.:** **US D908,788 S**
Leewe (45) **Date of Patent:** **** Jan. 26, 2021**

(54) **MOBILE ELECTRONIC DEVICE MOUNT**

(71) Applicant: **Mukutu GmbH**, Bielefeld (DE)

(72) Inventor: **Mark Leewe**, Borgholzhausen (DE)

(73) Assignee: **Mukutu GmbH**, Bielefeld (DE)

(**) Term: **15 Years**

(21) Appl. No.: **35/506,967**

(22) Filed: **Jan. 23, 2019**

(80) **Hague Agreement Data**

Int. Filing Date: **Jan. 23, 2019**

Int. Reg. No.: **DM/201398**

Int. Reg. Date: **Jan. 23, 2019**

Int. Reg. Pub. Date: **Jun. 21, 2019**

(30) **Foreign Application Priority Data**

Jul. 23, 2018 (DE) 402018100728-0001

(51) **LOC (13) Cl.** **17-03**

(52) **U.S. Cl.**
USPC **D17/20; D14/217**

(58) **Field of Classification Search**

USPC D14/217, 239, 447; D17/20, 99; D8/354
See application file for complete search history.

(56) **References Cited**

U.S. PATENT DOCUMENTS

4,998,277 A * 3/1991 Rioux, Jr. H04M 1/04
248/214
D359,493 S * 6/1995 Harsch D14/217
D592,188 S * 5/2009 Huang D14/217
D705,345 S * 5/2014 Squillante D17/99
D714,268 S * 9/2014 Zealer D14/239
D750,060 S * 2/2016 Brassard D14/253
D758,351 S * 6/2016 Zanders D14/217

D769,364 S * 10/2016 Trifilio D17/20
D776,095 S * 1/2017 Brown D14/239
D790,528 S * 6/2017 Lindloff D14/253
D795,265 S * 8/2017 Li D14/447
D800,102 S * 10/2017 Wu D14/239
D815,624 S * 4/2018 Davis D14/239
D821,849 S * 7/2018 Nikayin D8/354
D823,093 S * 7/2018 Kanter D8/354
D823,286 S * 7/2018 Kanter D14/238

(Continued)

OTHER PUBLICATIONS

Stompstrap 225 Photos | posted at facebook.com by @stompstrap
Jul. 23, 2018 [online]. ©2020 Facebook [retrieved May 19, 2019]
from Internet: <https://www.facebook.com/pg/stompstrap/photos/?ref=page_internal> (Year: 2018).*

(Continued)

Primary Examiner — Katherine Glennon

(74) *Attorney, Agent, or Firm* — Carter, DeLuca & Farrell
LLP

(57) **CLAIM**

The ornamental design for a mobile electronic device
mount, as shown and described.

DESCRIPTION

Mobile Electronic Device Mount

1.1 is a left, side view of a mobile electronic device mount
in accordance with the present design;

1.2 is a front view of the mobile electronic device mount;

1.3 is a right, side view of the mobile electronic device
mount;

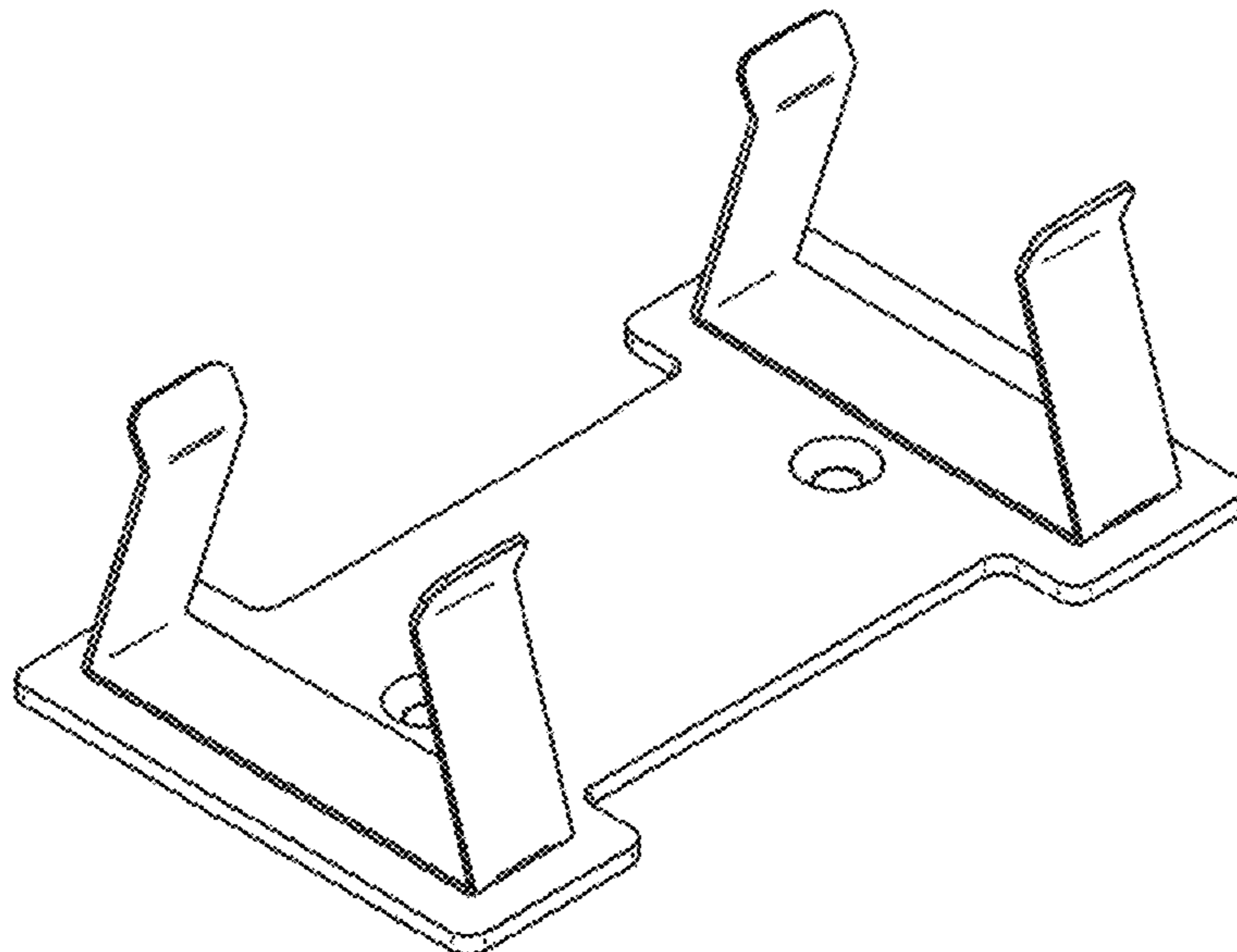
1.4 is a rear view of the mobile electronic device mount;

1.5 is a top view of the mobile electronic device mount;

1.6 is a perspective view of the mobile electronic device
mount; and

1.7 is a bottom view of the mobile electronic device mount.

1 Claim, 7 Drawing Sheets



(56)

References Cited

U.S. PATENT DOCUMENTS

D835,972 S * 12/2018 Patil F01N 3/2066
D8/354
D846,370 S * 4/2019 Ni D8/354
D852,173 S * 6/2019 Ni D14/239
D859,514 S * 9/2019 Lackner D17/20
2016/0171959 A1* 6/2016 Canivell Grifols G10G 5/00
84/453
2018/0352955 A1* 12/2018 Corbo H05K 5/0234

OTHER PUBLICATIONS

Stomptrap Review | posted at youtube.com by Pedal Syndicate Aug. 2018 [online]. [retrieved May 19, 2019] from Internet: <<https://www.youtube.com/watch?v=5R4MM55pzt0>> (Year: 2018).*

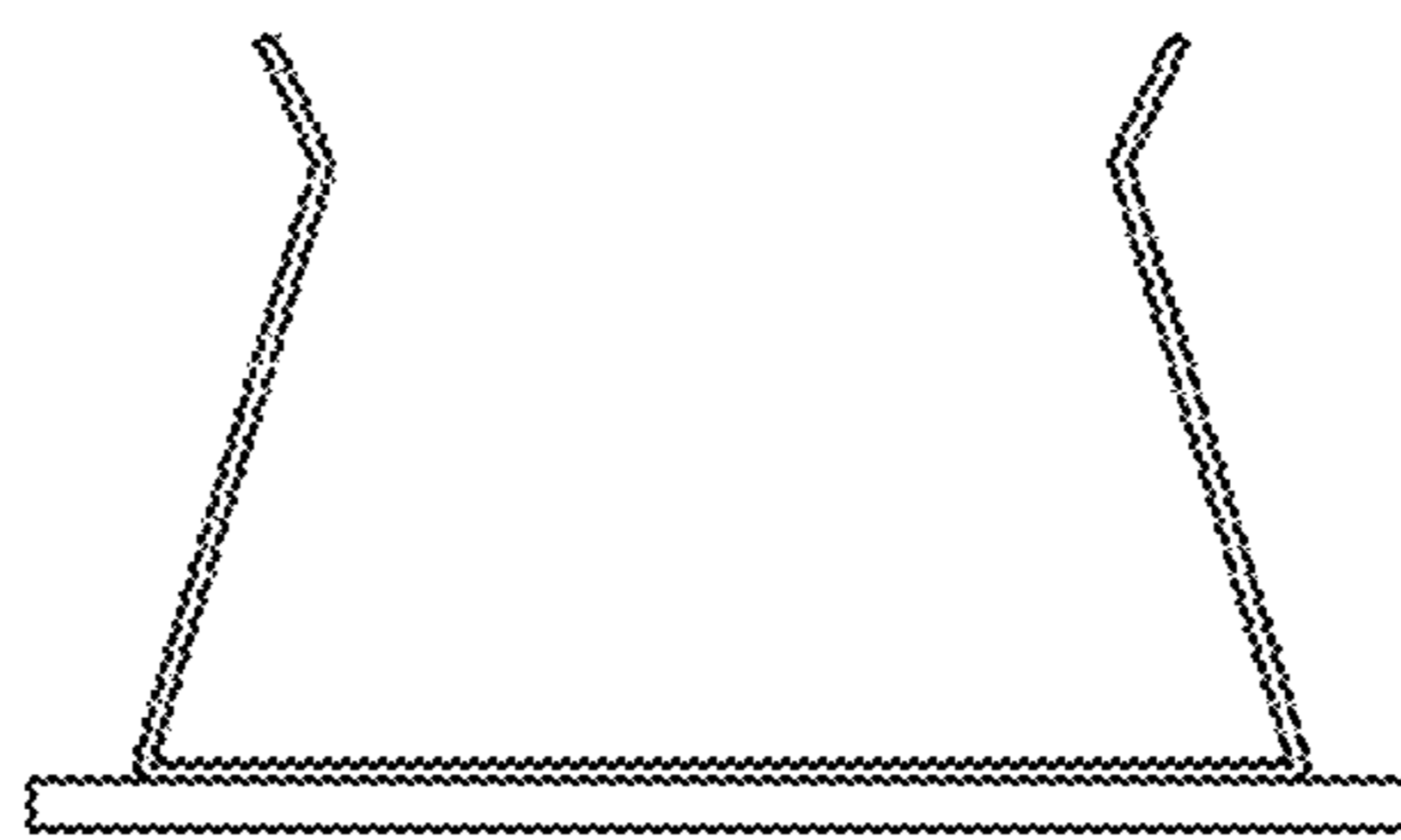
Stomptrap mini | posted at schmidtarray.com, n. d. [online]. © 2017 by Schmidt Array [retrieved Apr. 9, 2019] from Internet: <<https://www.schmidtarray.com/product-page/stomptrap>> (Year: 2020).*

* cited by examiner

1.1



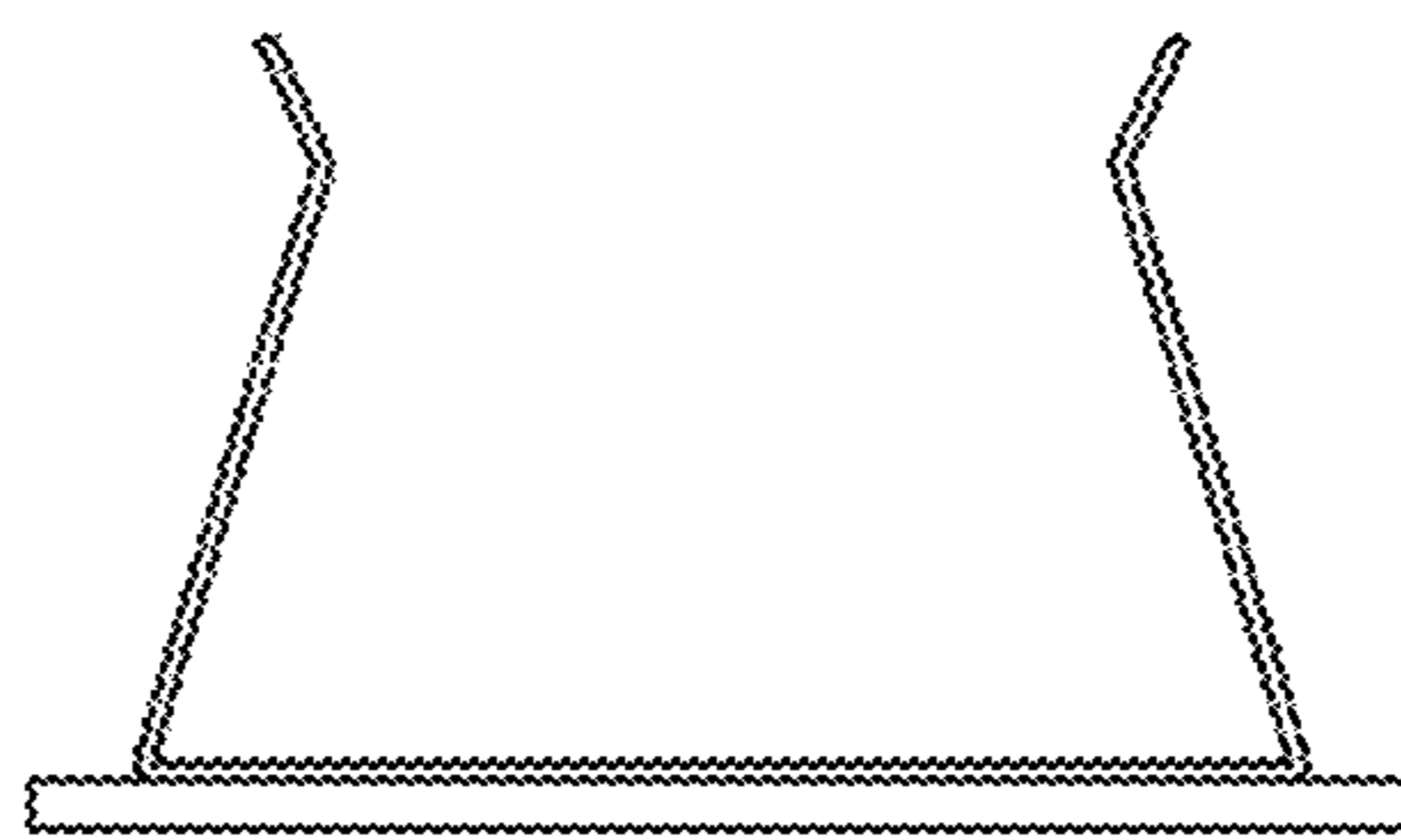
1.2



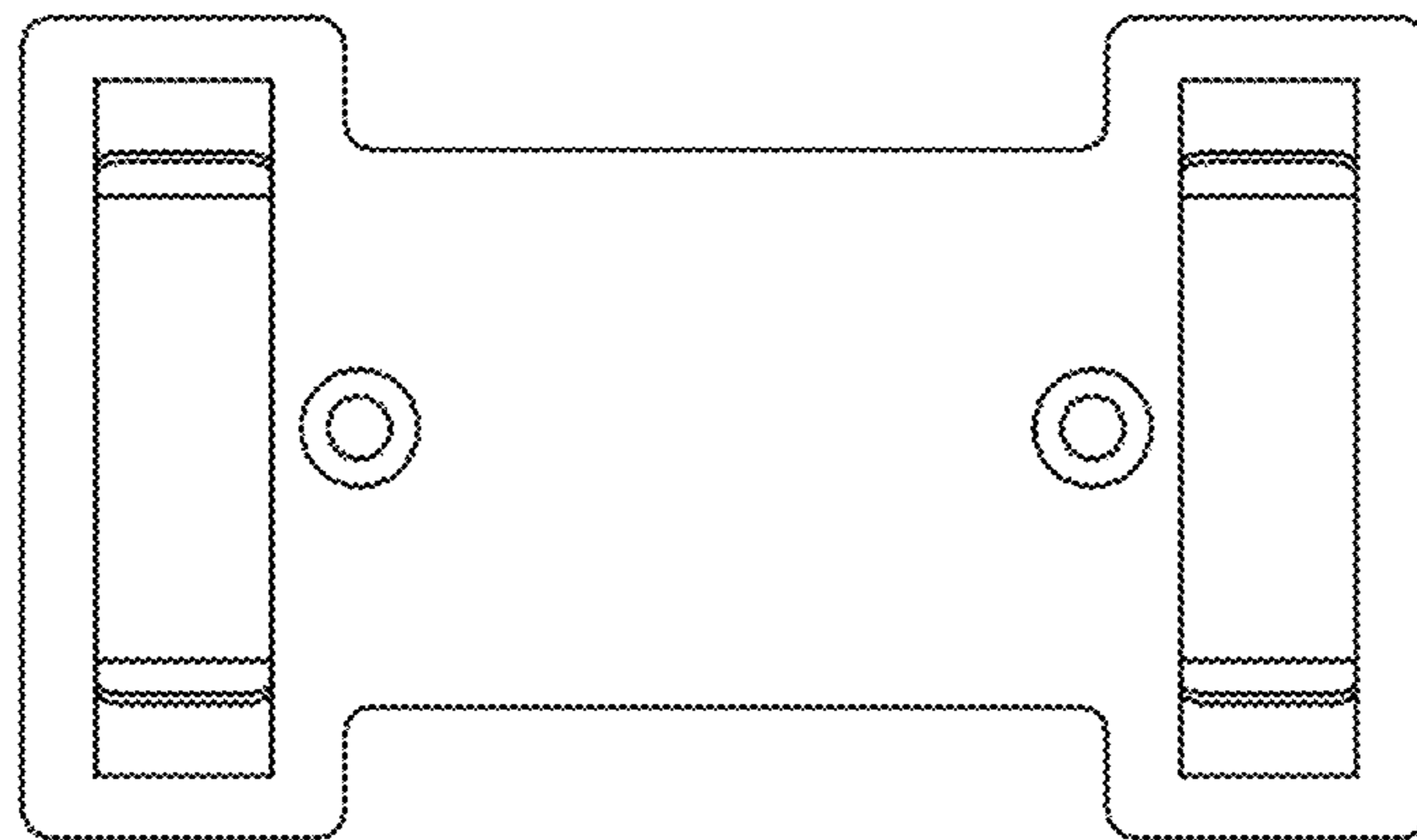
1.3



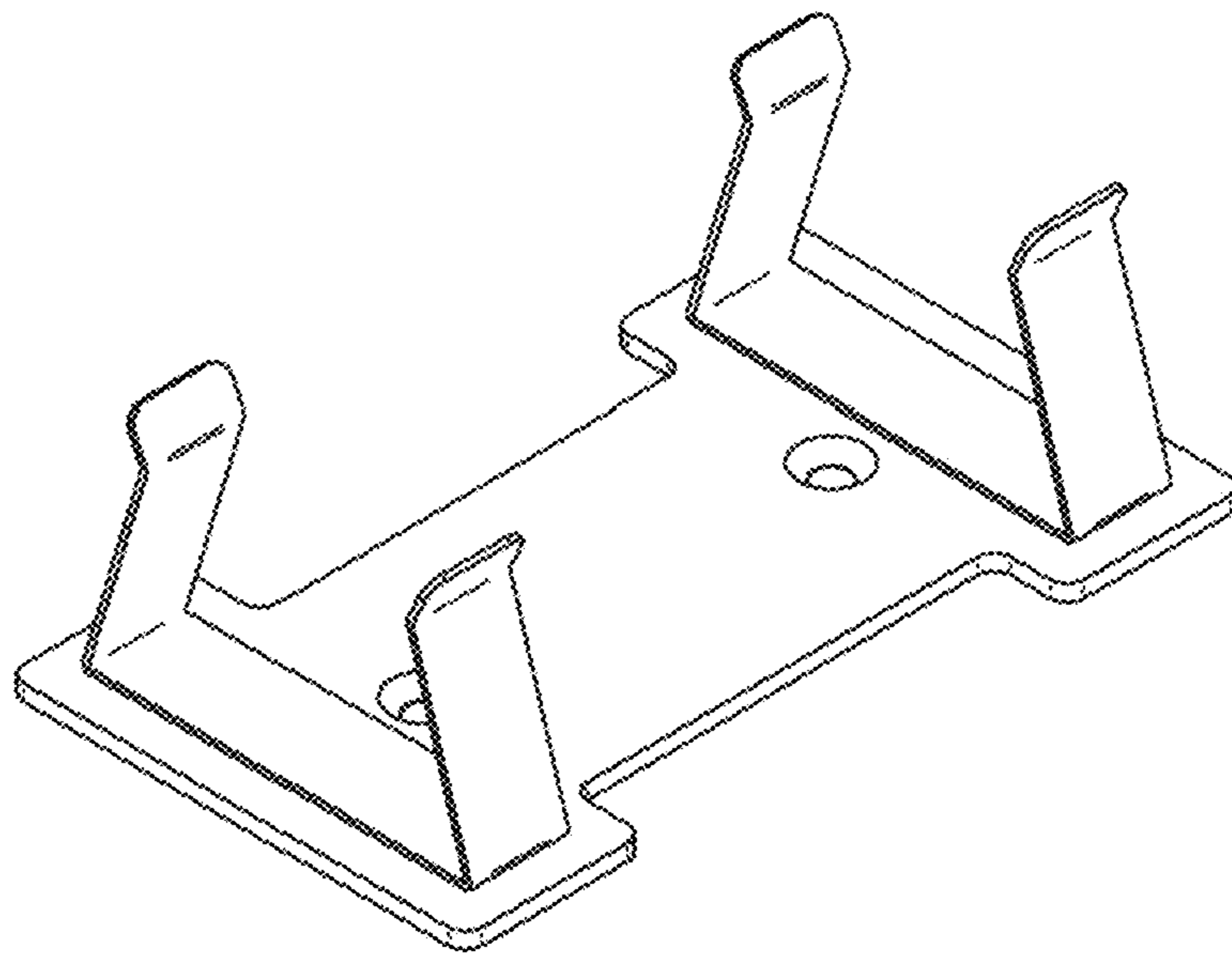
1.4



1.5



1.6



1.7

