



US00D908787S

(12) **United States Design Patent**  
**Kaneda**

(10) **Patent No.:** **US D908,787 S**  
(45) **Date of Patent:** **\*\* Jan. 26, 2021**

(54) **EYEGLASSES**

(71) Applicant: **JINS HOLDINGS Inc.**, Maebashi (JP)

(72) Inventor: **Daisuke Kaneda**, Maebashi (JP)

(73) Assignee: **JINS HOLDINGS Inc.**, Maebashi (JP)

(\*\*) Term: **15 Years**

(21) Appl. No.: **29/678,664**

(22) Filed: **Jan. 30, 2019**

(51) **LOC (13) Cl.** ..... **16-06**

(52) **U.S. Cl.**

USPC ..... **D16/332**

(58) **Field of Classification Search**

USPC ..... 348/115, 53, 121, 739; 345/7-9, 905;  
351/158, 153, 144; D14/125, 126, 129,  
D14/299, 372, 496, 432; D16/101, 300,  
D16/303-304, 309-315, 317-323,  
D16/325-340; D29/108, 109, 110, 112  
CPC . A63B 33/00; A63B 33/002; A63B 2033/004;  
A63B 2033/008; G02C 2200/08; G02C  
2200/22; G02C 5/008; G02C 5/14; G02C  
5/16; G02C 5/146; G02C 5/2254; G02C  
1/06; G02C 11/02; G02C 11/04; A61M  
2021/0044; B63C 11/12; A61F 9/00;  
A61F 9/02

See application file for complete search history.

(56) **References Cited**

**U.S. PATENT DOCUMENTS**

D350,359 S \* 9/1994 Friedman ..... D16/334  
5,408,279 A \* 4/1995 Chiou ..... G02C 3/04  
351/121  
5,448,318 A \* 9/1995 Heine ..... G02C 9/04  
351/158  
D389,854 S \* 1/1998 Nason ..... D16/333

D444,491 S \* 7/2001 Iwanaga ..... D16/333  
6,799,847 B2 \* 10/2004 Caplan ..... G02C 7/088  
351/128  
7,467,865 B2 \* 12/2008 Szejnwald ..... A61F 9/022  
351/158

(Continued)

**FOREIGN PATENT DOCUMENTS**

CN 305530987 \* 1/2020  
DE 102009029491 A1 \* 3/2011 ..... G02C 5/2254

(Continued)

**OTHER PUBLICATIONS**

EM Design Application No. 002682757-0001, published Apr. 30,  
2015.

(Continued)

*Primary Examiner* — Sanjeev Paul  
(74) *Attorney, Agent, or Firm* — Wolf, Greenfield &  
Sacks, P.C.

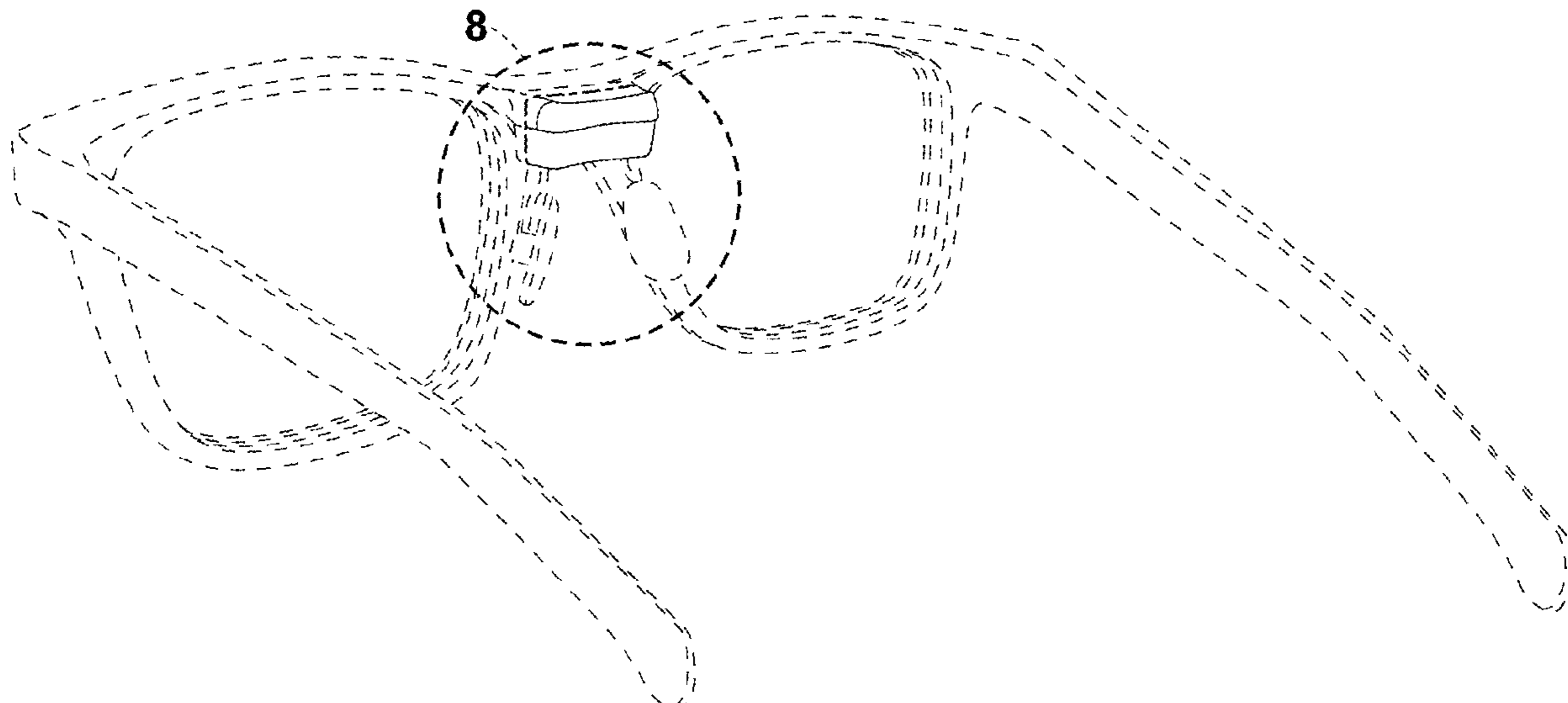
(57) **CLAIM**

The ornamental design for eyeglasses, as shown and  
described.

**DESCRIPTION**

FIG. 1 is a top, rear, right side perspective view of eye-  
glasses according to my new design;  
FIG. 2 is a front elevation view thereof;  
FIG. 3 is a rear elevation view thereof;  
FIG. 4 is a top plan view thereof;  
FIG. 5 is a bottom plan view thereof;  
FIG. 6 is a right side elevation view thereof;  
FIG. 7 is a left side elevation view thereof; and  
FIG. 8 is an enlarged partial view of FIG. 1; and,  
FIG. 9 is an enlarged bottom partial view of FIG. 5.  
The dash-dash broken lines in the figures represent portions  
of the eyeglasses that form no part of the claimed design.  
The dot-dash broken lines represent boundaries of the  
claimed design and form no part of the claimed design.

**1 Claim, 4 Drawing Sheets**



(56)

References Cited

U.S. PATENT DOCUMENTS

D597,585 S \* 8/2009 Janik ..... D16/309  
 D655,742 S \* 3/2012 Bogle ..... D16/330  
 8,172,419 B1 \* 5/2012 Gasparre ..... F21L 4/005  
 362/103  
 D676,897 S \* 2/2013 Seo ..... D16/332  
 D682,923 S \* 5/2013 Kim ..... D16/330  
 D719,607 S \* 12/2014 Lalush ..... D16/304  
 D741,942 S \* 10/2015 Hong ..... D16/330  
 D758,476 S \* 6/2016 Ho ..... D16/315  
 D769,351 S \* 10/2016 Markovitz ..... D16/315  
 D770,560 S \* 11/2016 Shin ..... D16/330  
 D780,831 S 3/2017 Tanaka et al.  
 D792,499 S 7/2017 Tanaka et al.  
 D802,046 S \* 11/2017 Ho ..... D16/300  
 10,114,231 B1 \* 10/2018 Armstrong ..... E05D 7/1011  
 10,441,217 B2 \* 10/2019 Komoda ..... G02C 11/10  
 D877,236 S \* 3/2020 Damin ..... D16/332  
 2007/0052916 A1 \* 3/2007 Zeng ..... G02C 1/02  
 351/41  
 2008/0266515 A1 \* 10/2008 Hou ..... G02C 5/2209  
 351/140  
 2012/0320331 A1 \* 12/2012 Walker, Jr. .... G02C 5/02  
 351/57  
 2015/0234200 A1 \* 8/2015 Chou ..... G02C 1/04  
 351/105  
 2017/0027470 A1 \* 2/2017 Inoue ..... G02C 5/12  
 2017/0108713 A1 \* 4/2017 Blum ..... B29D 12/02  
 2017/0336648 A1 \* 11/2017 Chen ..... G02C 1/08

2018/0004008 A1 \* 1/2018 Froissard ..... G02C 5/02  
 2018/0049664 A1 \* 2/2018 Miyazaki ..... G02C 5/14  
 2018/0348540 A1 \* 12/2018 Huang ..... G02C 5/02  
 2018/0364497 A1 \* 12/2018 Paris ..... G02C 5/02

FOREIGN PATENT DOCUMENTS

JP D1445067 S 7/2012  
 JP D1526401 S 6/2015  
 JP D1526402 S 6/2015  
 JP D1526780 S 6/2015  
 JP D1526781 S 6/2015  
 JP D1527297 S 6/2015  
 JP D1527298 S 6/2015  
 WO WO-2012044142 A1 \* 4/2012 ..... G02C 1/02  
 WO WO 2016/194848 A1 12/2016

OTHER PUBLICATIONS

EM Design Application No. 002682757-0002, published Apr. 30, 2015.  
 EM Design Application No. 002682757-0003, published Apr. 30, 2015.  
 EM Design Application No. 002682757-0004, published Apr. 30, 2015.  
 EM Design Application No. 002682757-0005, published Apr. 30, 2015.  
 EM Design Application No. 002682757-0006, published Apr. 30, 2015.

\* cited by examiner

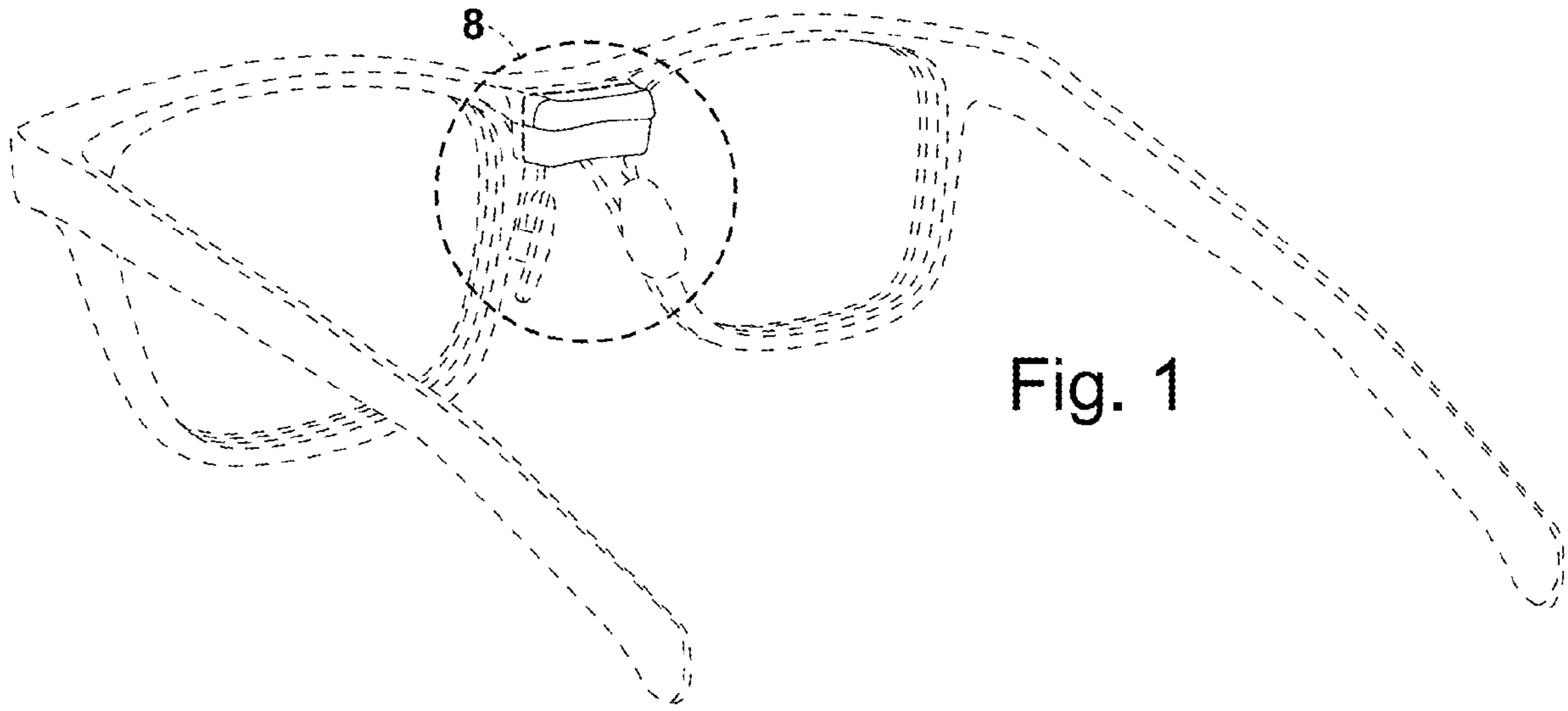


Fig. 1

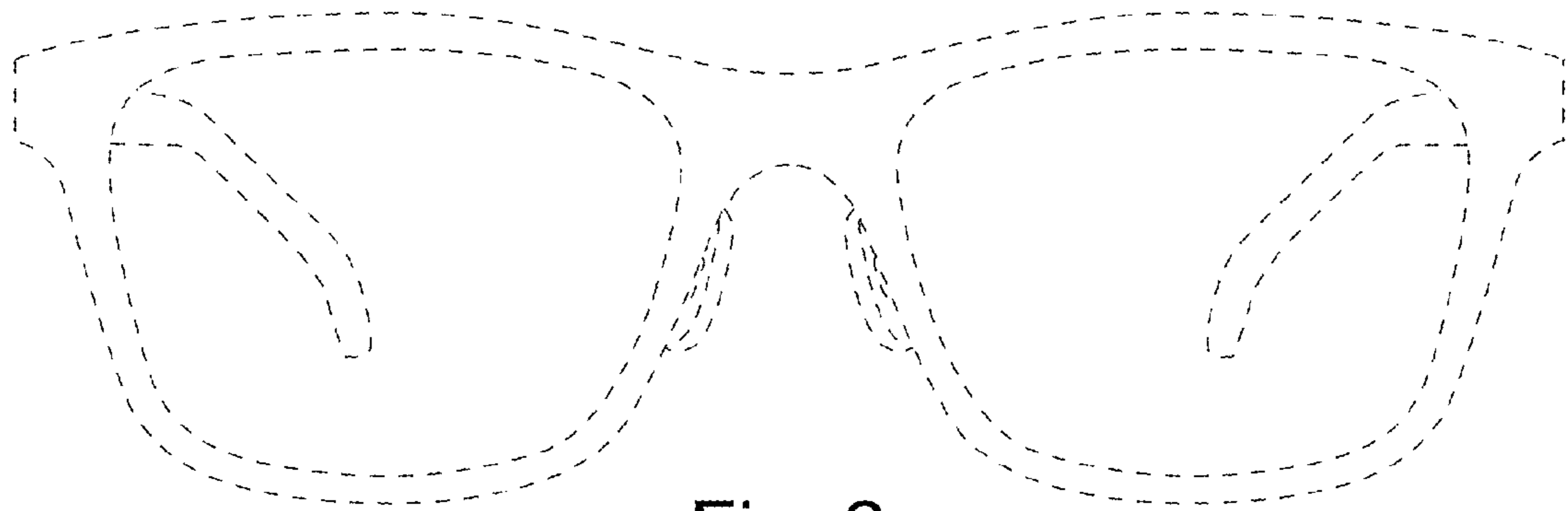


Fig. 2

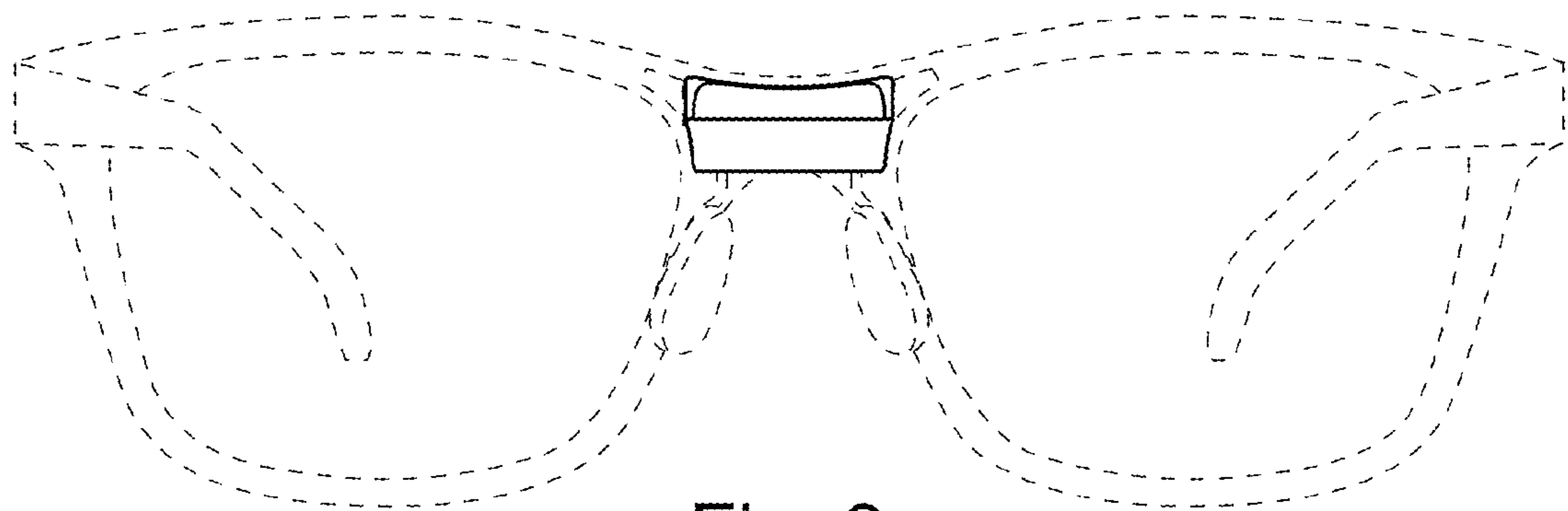


Fig. 3

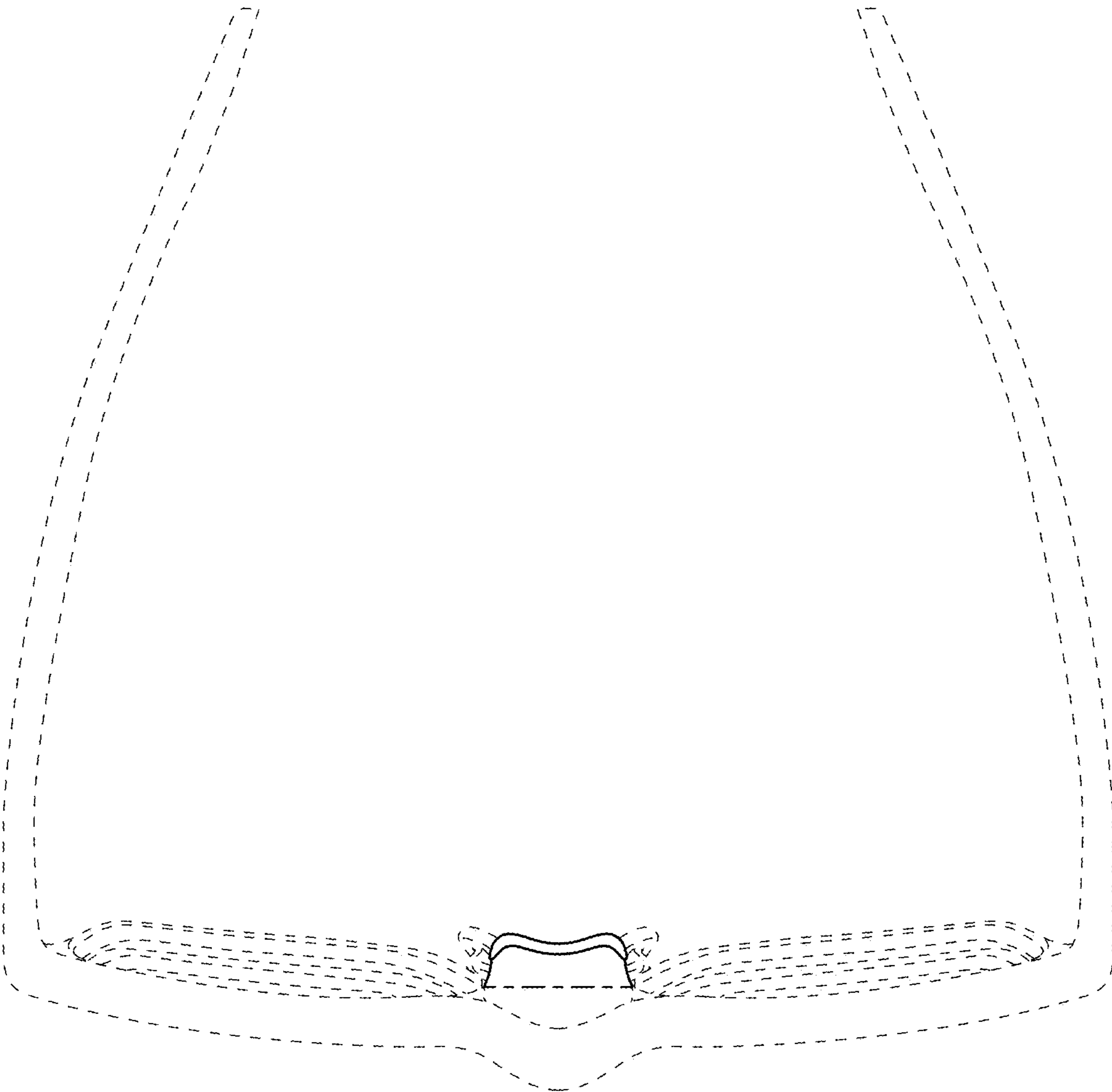


Fig. 4

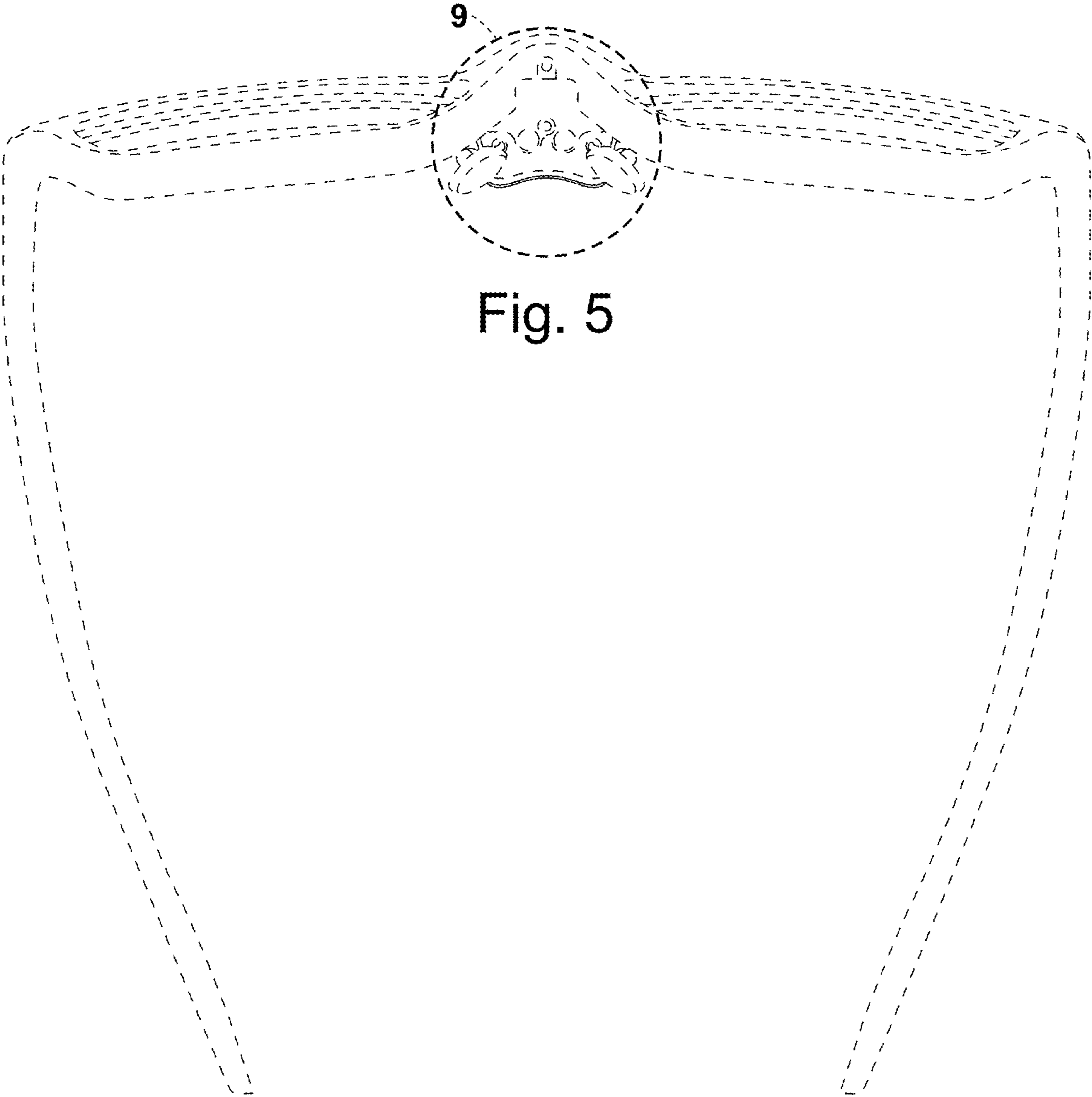


Fig. 5

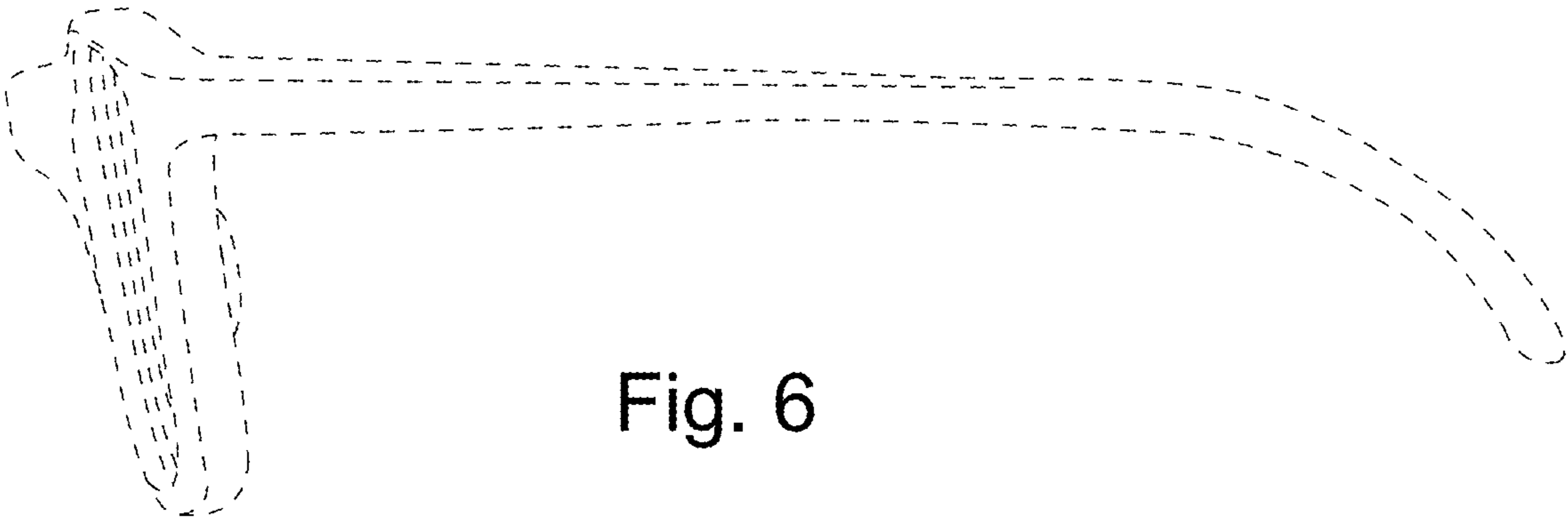


Fig. 6

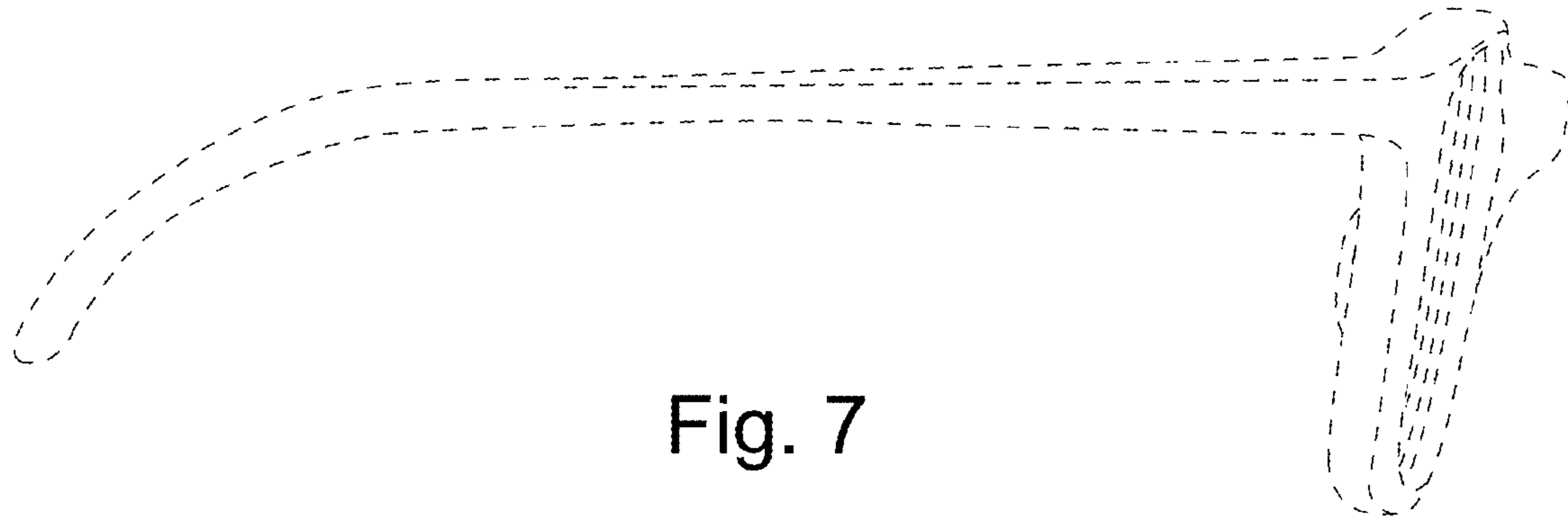


Fig. 7

Fig. 8

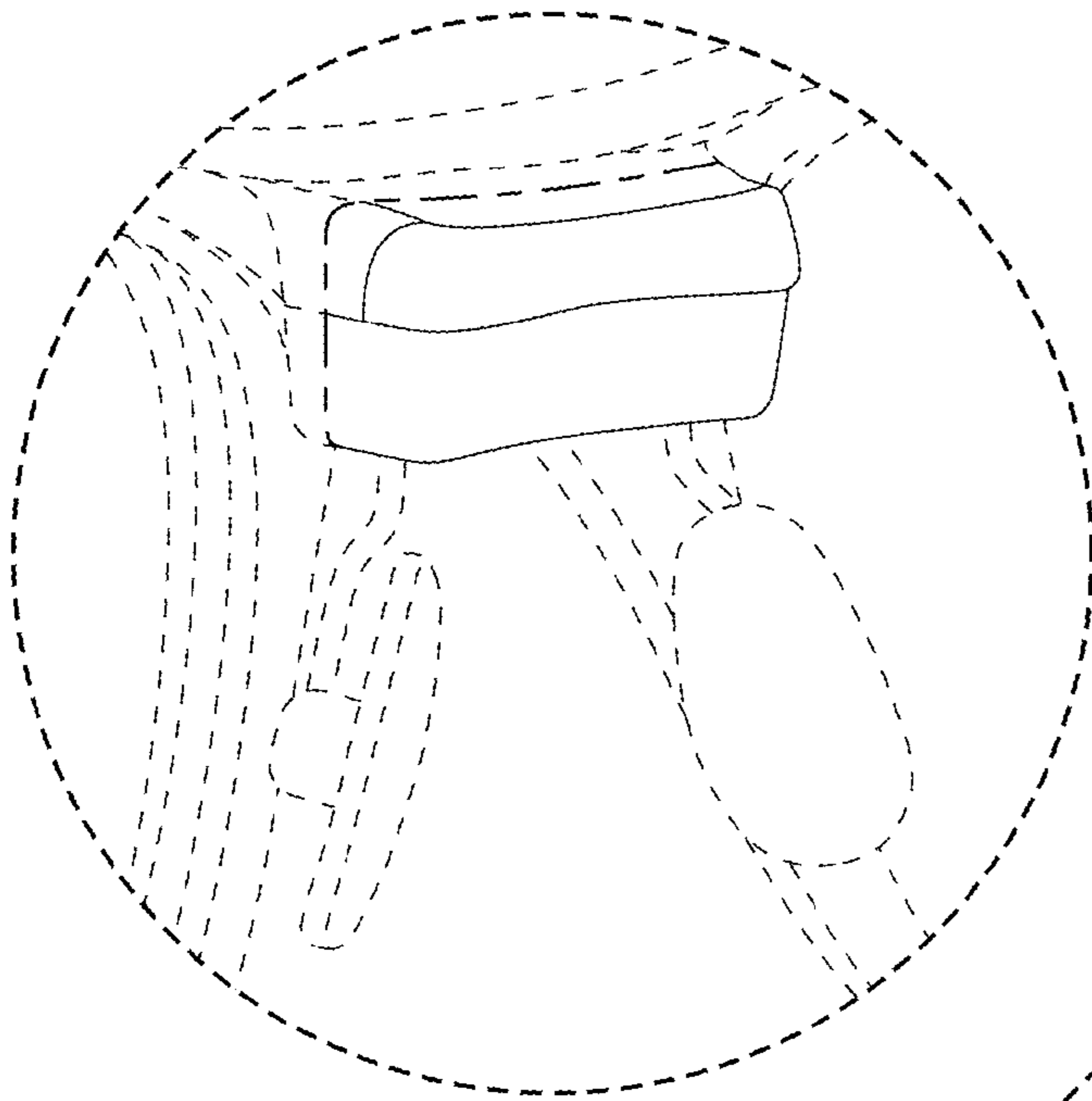
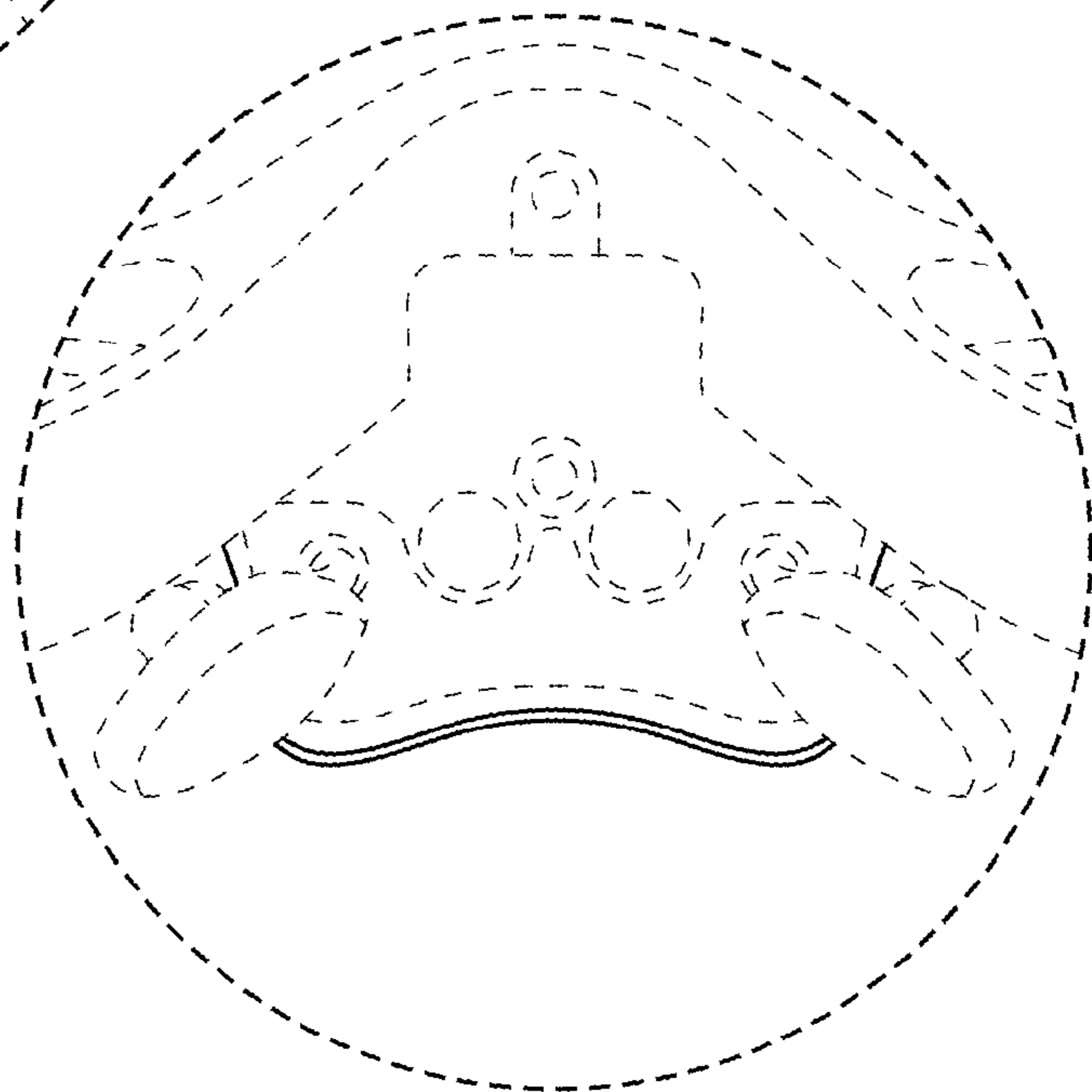


Fig. 9



UNITED STATES PATENT AND TRADEMARK OFFICE  
**CERTIFICATE OF CORRECTION**

PATENT NO. : D908,787 S  
APPLICATION NO. : 29/678664  
DATED : January 26, 2021  
INVENTOR(S) : Daisuke Kaneda

Page 1 of 1

It is certified that error appears in the above-identified patent and that said Letters Patent is hereby corrected as shown below:

On the Title Page

Item (30), insert:

--Jul. 31, 2018 (JP) . . . . . 2018-016716--

Signed and Sealed this  
Twentieth Day of April, 2021



Drew Hirshfeld  
*Performing the Functions and Duties of the  
Under Secretary of Commerce for Intellectual Property and  
Director of the United States Patent and Trademark Office*