



US00D908784S

(12) **United States Design Patent** (10) **Patent No.:** **US D908,784 S**
Zhang (45) **Date of Patent:** **** Jan. 26, 2021**

(54) **SKI GOGGLE**
(71) Applicant: **Aiping Zhang**, Jiangxi (CN)
(72) Inventor: **Aiping Zhang**, Jiangxi (CN)
(**) Term: **15 Years**
(21) Appl. No.: **29/703,502**
(22) Filed: **Aug. 28, 2019**
(51) **LOC (13) Cl.** **16-06**
(52) **U.S. Cl.**
USPC **D16/312**
(58) **Field of Classification Search**
USPC 2/426–432, 435, 436, 437, 438, 439,
2/440–454; 351/43, 44–47, 49, 59, 63,
351/69, 104, 123, 126, 131, 132, 135,
351/145; D16/101, 300–342;
D29/108–110; D21/695–661; D14/372
CPC A63B 33/00; A63B 33/002; A61M
2021/0044; G01C 5/16; G02C 1/06;
G02C 5/146; G02C 5/2254; G02C 5/008;
G02C 5/14; G02C 5/16; G02C 11/02;
G02C 11/04; G02C 2200/08; G02C
2200/22

See application file for complete search history.

(56) **References Cited**

U.S. PATENT DOCUMENTS

D711,961 S *	8/2014	Arnette	D16/312
D718,369 S *	11/2014	Janavicius	D16/312
D727,398 S *	4/2015	Blanchard	D16/312
D729,303 S *	5/2015	Laperriere	D16/326
D776,179 S *	1/2017	Pfanner	D16/101
D784,441 S *	4/2017	Garfias	D16/312
D829,810 S *	10/2018	Nellestam	D16/313
D847,248 S *	4/2019	Liang	D16/313
D864,285 S *	10/2019	Liang	D16/313
D872,168 S *	1/2020	Zhang	D16/312
D872,169 S *	1/2020	Yong	D16/312
D892,913 S *	8/2020	Lindauer	D16/313
D895,717 S *	9/2020	Liang	D16/312

2007/0033716 A1 *	2/2007	Dondero	A61F 9/029 2/426
2007/0070290 A1 *	3/2007	Feng	B63C 11/12 351/43
2009/0038059 A1 *	2/2009	McNeal	G02C 5/001 2/439
2009/0151057 A1 *	6/2009	Lebel	A61F 9/029 2/452
2010/0229291 A1 *	9/2010	Tominaga	A61F 9/025 2/431
2011/0197346 A1 *	8/2011	Burchett	A61F 9/027 2/431

(Continued)

FOREIGN PATENT DOCUMENTS

EM 006717617-0001 * 8/2019

OTHER PUBLICATIONS

Google search: "ski goggles" [site visited Sep. 14, 2020]: https://www.google.com/search?q=ski+goggles&sxsr=AleKk02IBpxs2EwWIKoCFExMvdU4t7aajg:1600058664745&source=Inms&tbm=isch&sa=X&ved=2ahUKEwi9utOC6-frAhWXoXIEHV00B8YQ_AUoAnoECBkQBA&biw=1920&bih=937 (Year: 2020).*

(Continued)

Primary Examiner — Sanjeev Paul

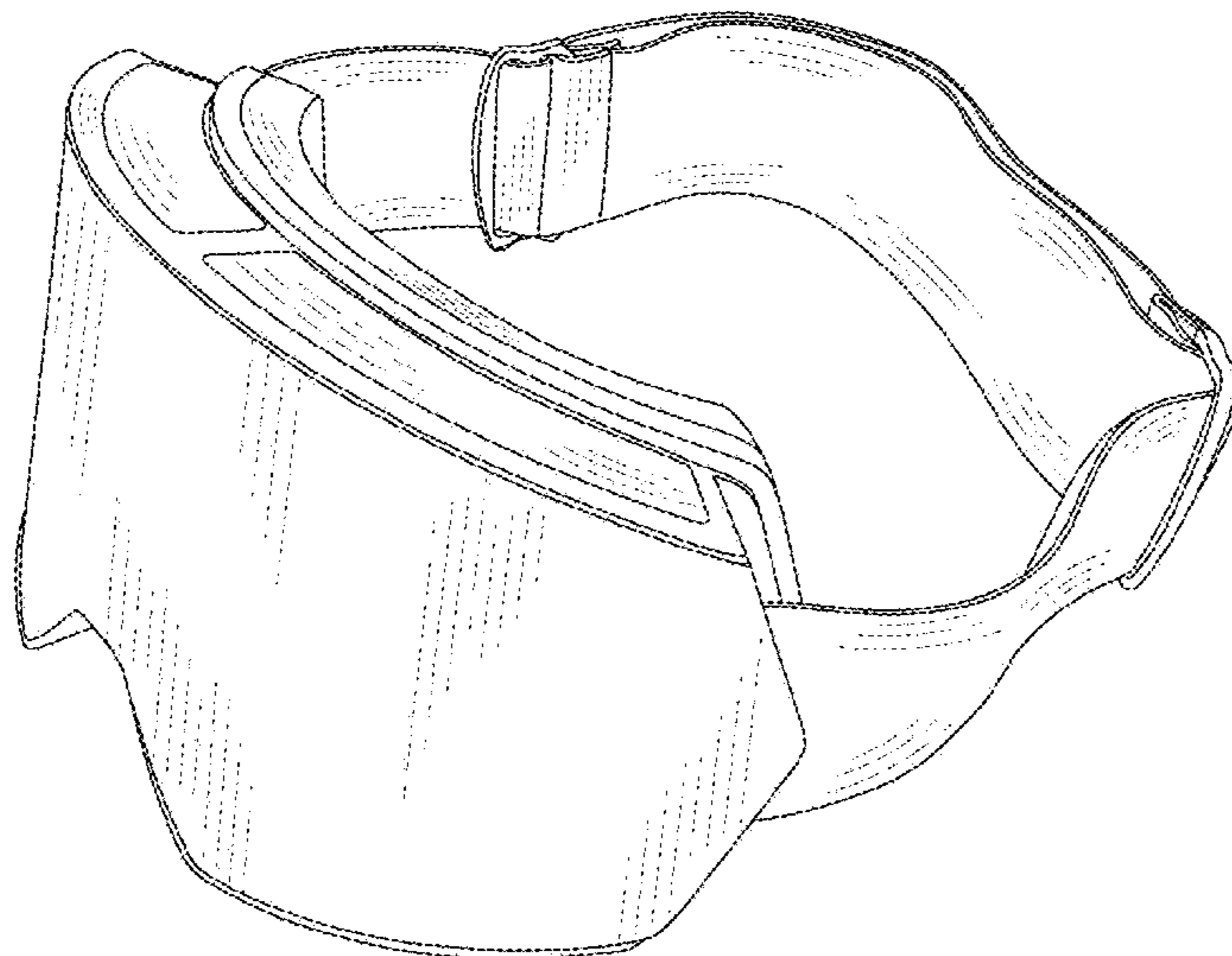
(57) **CLAIM**

The ornamental design for a ski goggle, as shown and described.

DESCRIPTION

FIG. 1 is a perspective view of a ski goggle showing my new design;
FIG. 2 is a front elevational view thereof;
FIG. 3 is a rear elevational view thereof;
FIG. 4 is a left side elevational view thereof;
FIG. 5 is a right side elevational view thereof;
FIG. 6 is a top plan view thereof; and,
FIG. 7 is a bottom plan view thereof.

1 Claim, 7 Drawing Sheets



(56)

References Cited

U.S. PATENT DOCUMENTS

2012/0266367	A1 *	10/2012	Sandor	A61F 9/027 2/431
2013/0091623	A1 *	4/2013	McCulloch	A61F 9/029 2/435
2013/0185849	A1 *	7/2013	Laughlin	A61F 9/025 2/431
2014/0033408	A1 *	2/2014	Currens	A61F 9/025 2/431
2015/0150724	A1 *	6/2015	Arnette	A61F 9/02 2/439
2016/0143785	A1 *	5/2016	Laperriere	A61F 9/025 2/431

OTHER PUBLICATIONS

Google search: "snow goggles" [site visited Sep. 14, 2020]: https://www.google.com/search?q=snow+goggles&sxsrf=ALeKk02IhSpTbeXoXyiD23SmeiuPq590rg:1600061453595&source=Inms&tbm=isch&sa=X&ved=2ahUKEwj_r7209efrAhV1InIEHaD6AuQQ_AUoAnoECBkQBA&biw=1200&bih=1777 (Year: 2020).*

Oakley Men's Snow Goggles, [online], [site visited Sep. 14, 2020]. Available from Internet, <URL: <https://www.oakley.com/en-us/category/men/goggles-helmets/snow-goggles>> (Year: 2020).*

Electric EGX Torgier Gregg Snowboard Goggles, [date: unavailable] [online], [site visited Sep. 17, 2020]. Available from Internet, <URL: <https://www.zumiez.com/electric-egx-torgier-gregg-snowboard-goggles.html>> (Year: 2020).*

* cited by examiner

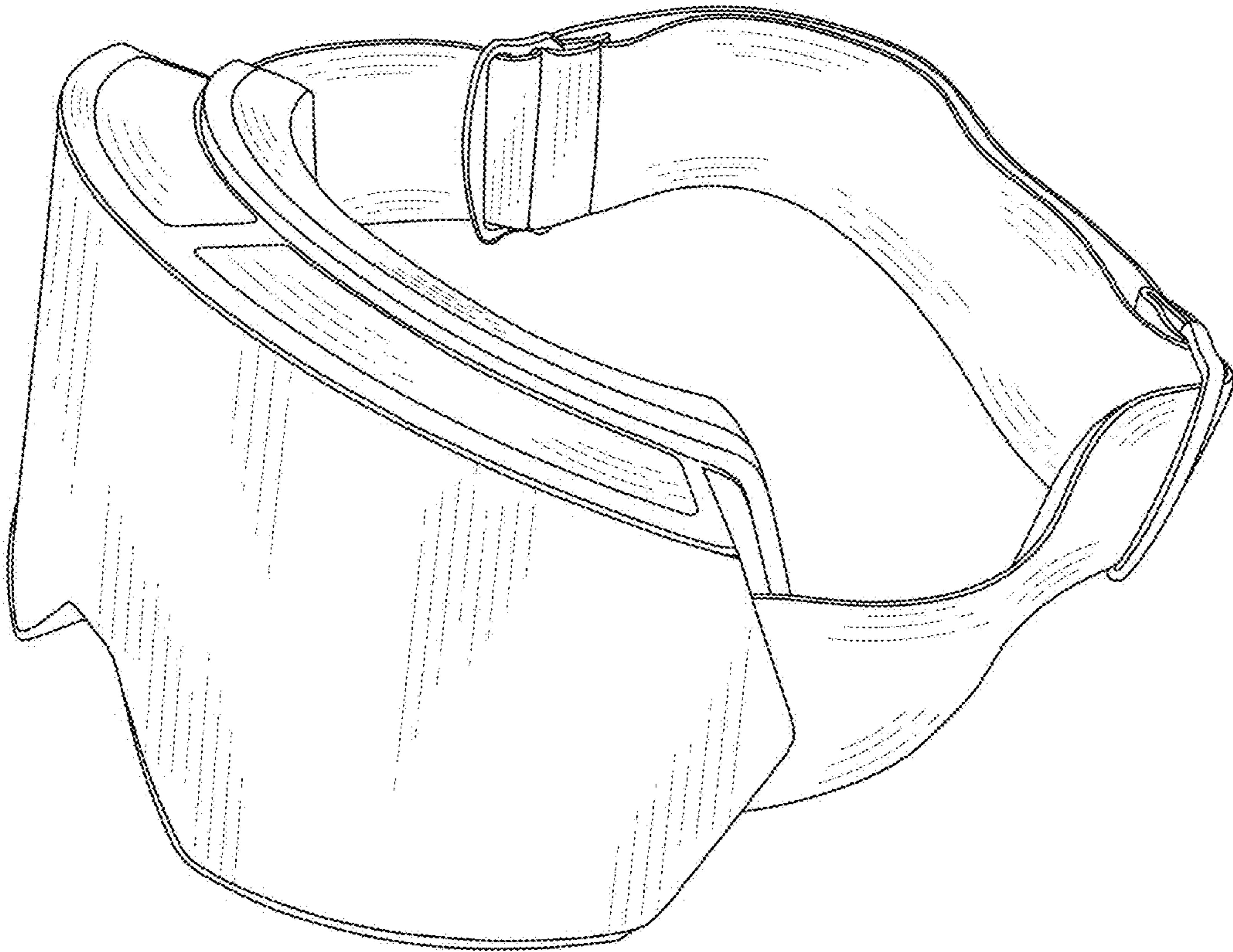


FIG. 1

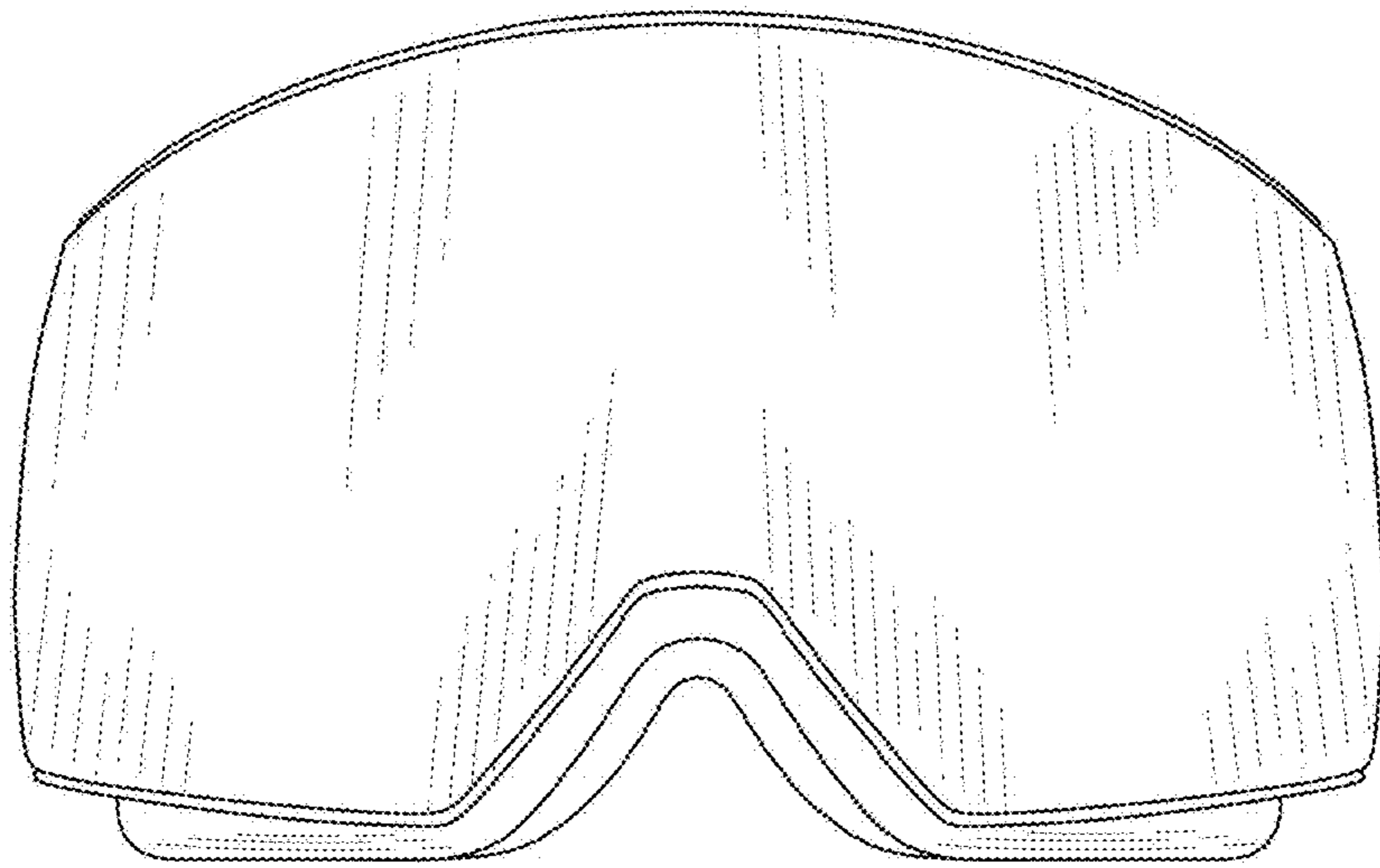


FIG. 2

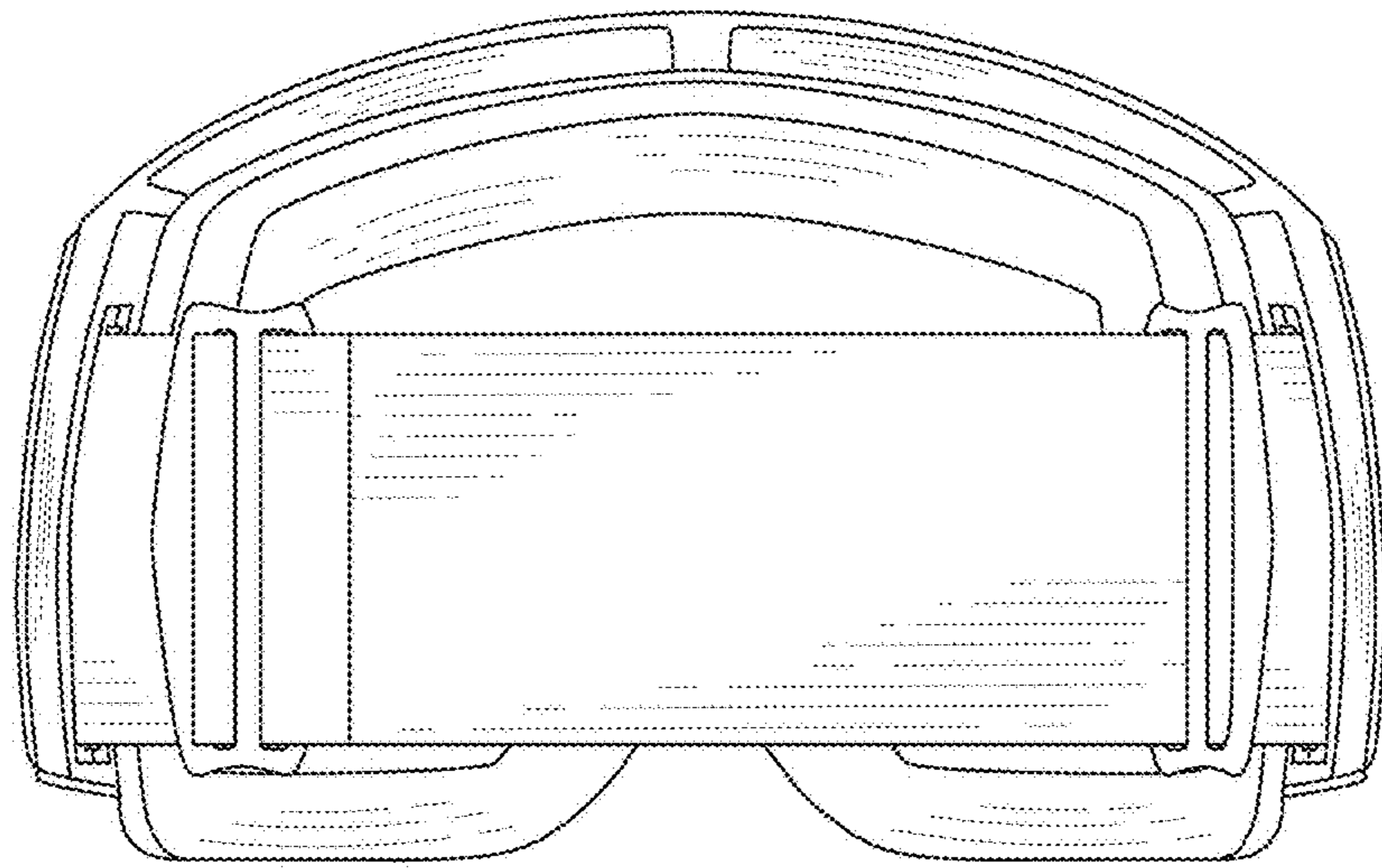


FIG. 3

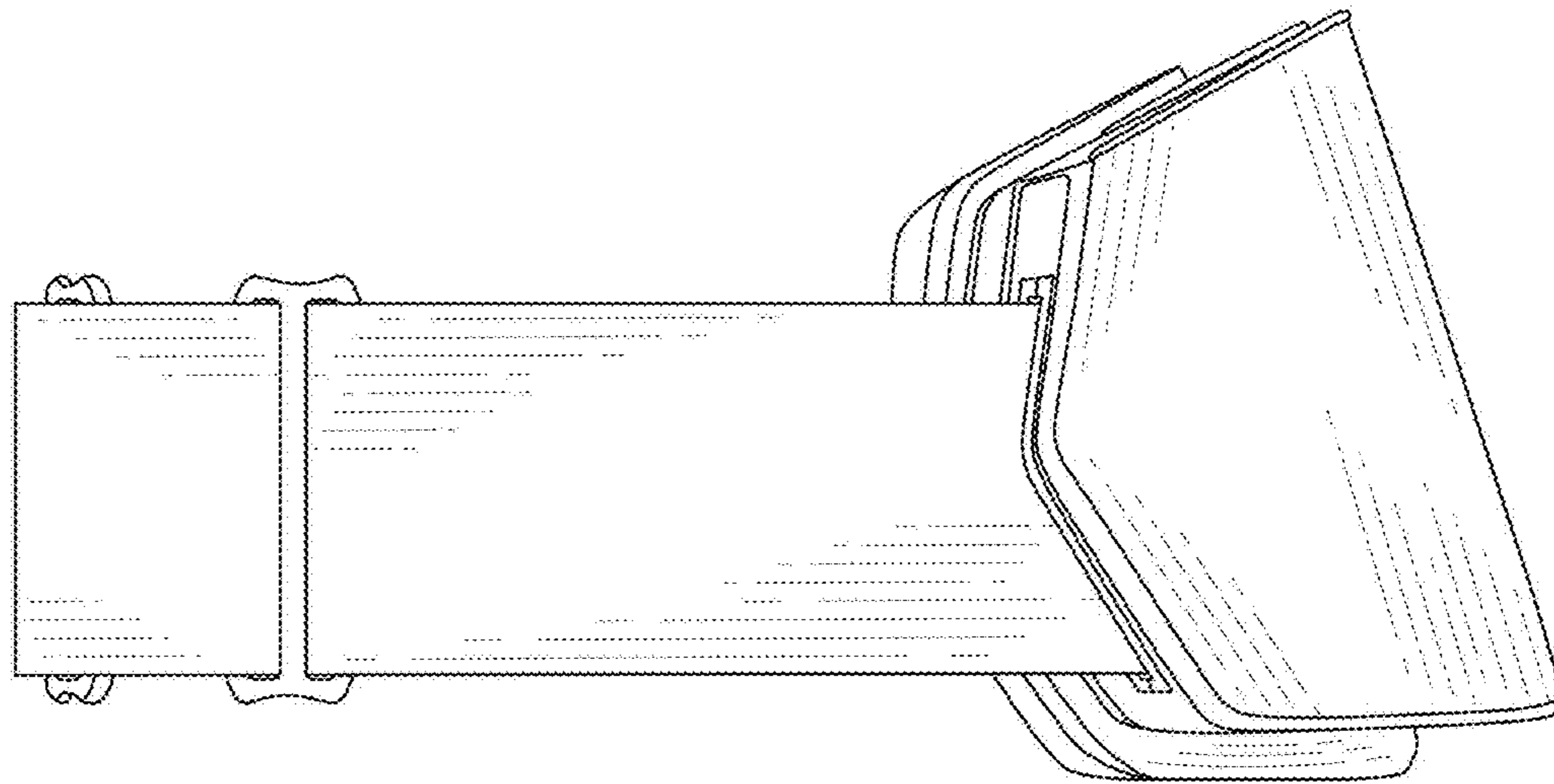


FIG. 4

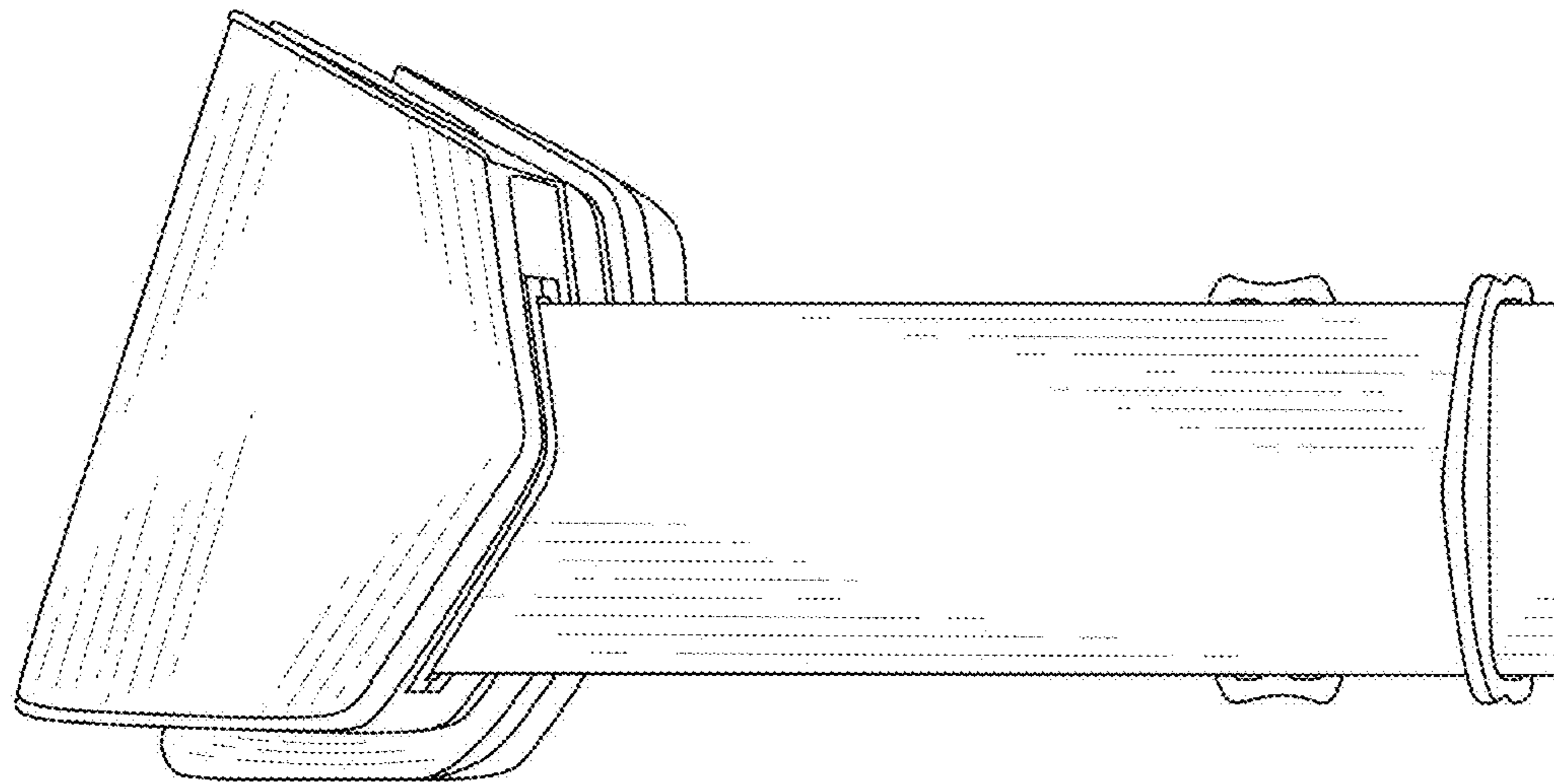


FIG. 5

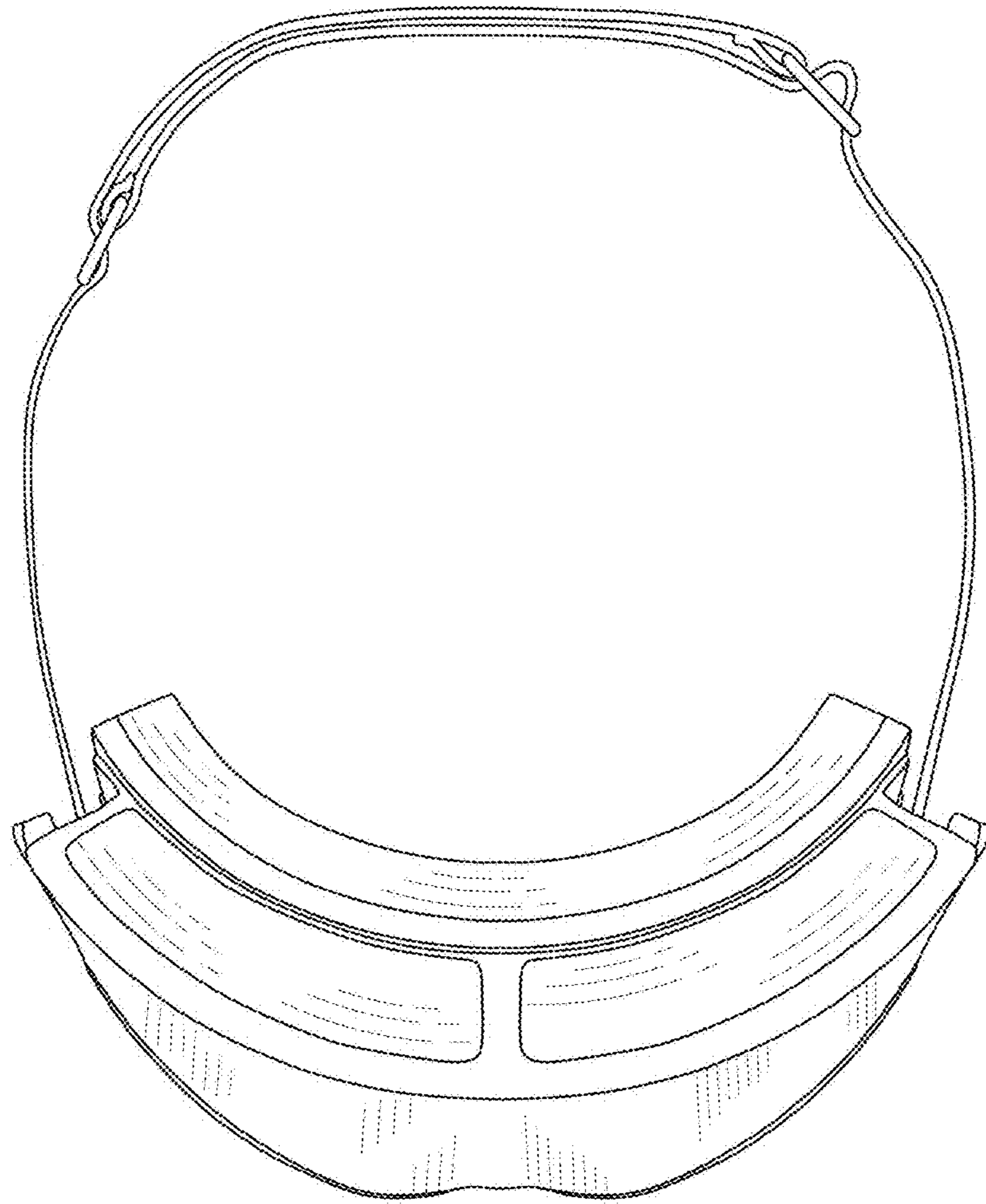


FIG. 6

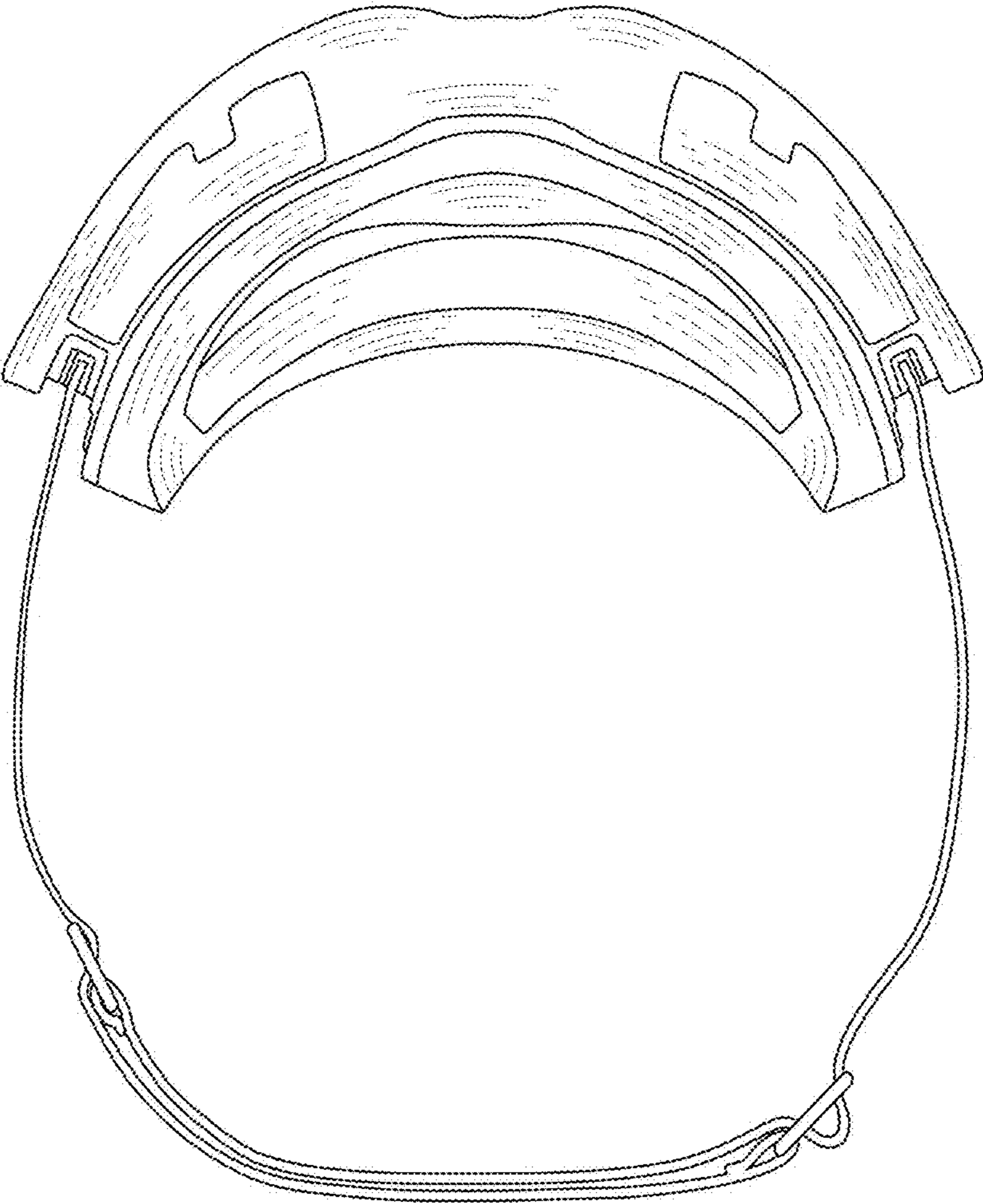


FIG. 7